



# Installation Instructions

## Jeep TJ/LJ Rear Base Bumper

Product Number: Y1051  
Application: '97-2006-Current Jeep TJ/LJ

## SAFETY

### Your safety and the safety of others is very important.

- In order to help you make informed decisions about safety, we have provided installation instructions and other information.
- These instructions alert you to potential hazards that could hurt you or others.
- Please do a job safety analysis (JSA) before each task to identify potential hazards for your situation and remove/protect against them.
- You must use your own good judgment, and take your time.

**Read and understand all safety precautions and instructions before installing this product.**

THIS PRODUCT IS FOR OFFROAD USE ONLY. ALL LIABILITY FOR INSTALLATION AND USE RESTS WITH THE OWNER.

**CARELESS INSTALLATION AND OPERATION CAN RESULT IN SERIOUS INJURY OR EQUIPMENT DAMAGE.**

## Injury hazard

### Failure to observe these instructions could lead to severe injury or death.

- Always** remove jewelry and wear eye protection.
- Always** use extreme caution when jacking up a vehicle for work. Set emergency brake and use tire blocks. Locate and use the vehicle manufacturers designated lifting points. Use jack stands.
- Always** use appropriate and adequate care in lifting components into place.
- Always** insure components will remain secure during installation and operation.
- Always** wear safety glasses when installing this kit. A drilling operation will cause flying metal chips. Flying chips can cause serious eye injury.
- Always** use extreme caution when drilling on a vehicle. Thoroughly inspect the area to be drilled (on both sides of material) prior to drilling, and relocate any objects that may be damaged.
- Always** use extreme caution when cutting and trimming during fitting.
- Always** tighten all nuts and bolts securely per installation instructions.
- Always** route electrical cables carefully. Avoid moving parts, components that become hot and rough or sharp edges.
- Always** insulate and protect all exposed wiring and electrical terminals.
- Always** perform regular inspections and maintenance on mounts and related hardware.





# Installation Instructions Jeep TJ/LJ Rear Base Bumper

Product Number: Y1051

Application: '97-2006-Current Jeep TJ/LJ

## I. Overview

Congratulations on your new purchase of the industries' best and most stylish Jeep TJ Rear Base Bumper! This bumper has been **engineered** for strength while keeping the weight down. PLEASE CONTACT FAB FOURS TO PURCHASE THE OPTIONAL TIRE CARRIER OR OPTIONAL HI-LIFT JACK MOUNT!

Your bumper was designed in 3-D from digitized data, CNC laser cut, fabricated, and powder coated... all in the U.S.A.

Enjoy the fit and finish of a quality Jeep Bumper from Fab Fours Inc.





## Installation Instructions Jeep TJ/LJ Rear Base Bumper

Product Number: Y1051

Application: '97-2006-Current Jeep TJ/LJ

### II. Tools Required

- 18mm, 1/2", 5/8" Wrenches
- 18mm, 19mm, 1/2", 5/8" Socket
- 5/8" Wrench and Deep Socket
- 11/16" Wrench
- Socket wrench and short extension
- Center Punch
- 1/4", 1/2" Drills

### III. Vehicle Preparation

***A. Remove (2) 12mm bolts securing stock bumper on underside rear of frame (one per side). Save bolts for use later.***



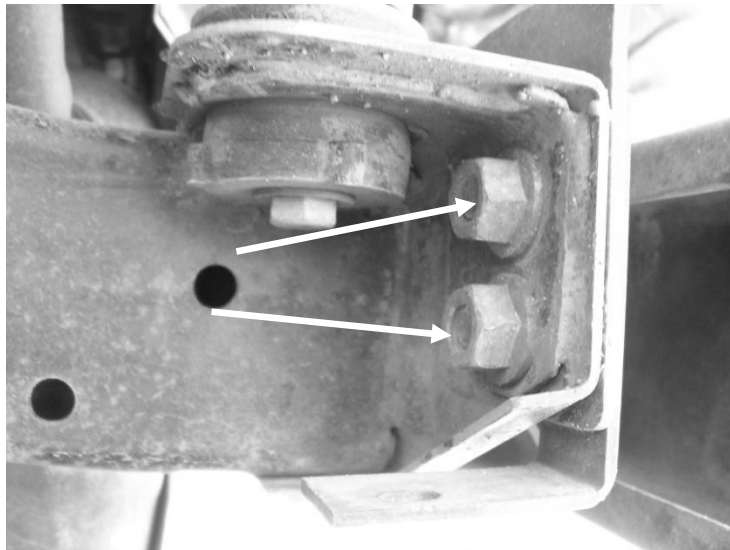


## Installation Instructions Jeep TJ/LJ Rear Base Bumper

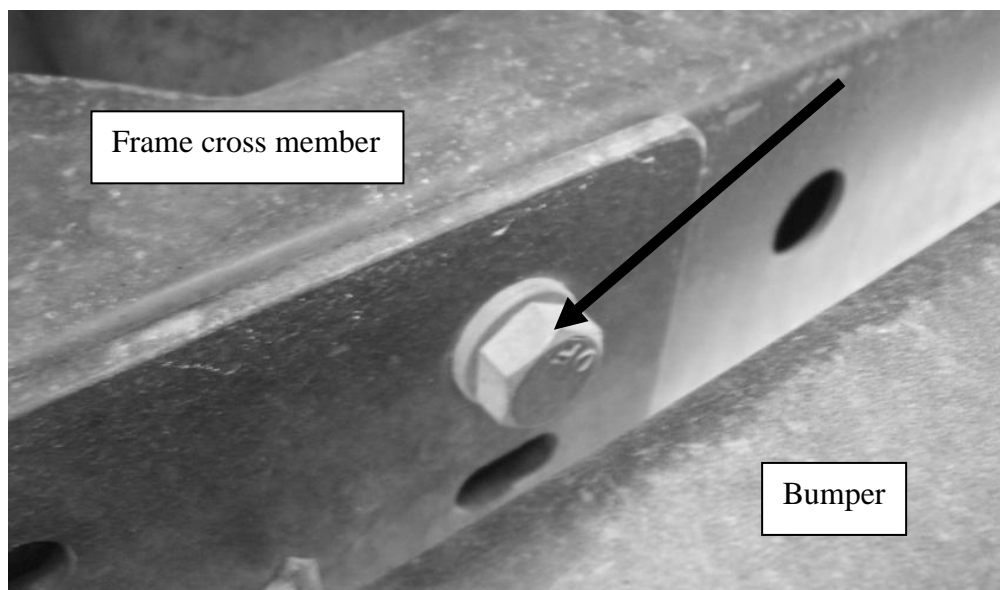
Product Number: Y1051

Application: '97-2006-Current Jeep TJ/LJ

**B. Remove the (4) nuts from bumper mounting studs (two per side).**



**C. Remove (2) bolts holding bumper to frame cross member (one per side). Support OEM bumper such that it does not fall when bolts are removed.**



**D. Remove the OEM bumper and set aside.**





## Installation Instructions Jeep TJ/LJ Rear Base Bumper

Product Number: Y1051

Application: '97-2006-Current Jeep TJ/LJ

### IV. Bumper Installation

***A. If necessary, drill (4) additional mounting holes (two per side) using supplied drilling template(Old Style Shown Below) at the back of this manual. Tape template to rear cross-member using supplied bumper mounting hardware, be sure to keep template level. Use a center punch to mark the holes. Drill ¼" pilot holes. Remove and repeat for opposite side. Drill ½" through holes; remember to keep drill as level as possible during process. DO NOT DRILL TOO DEEP!***



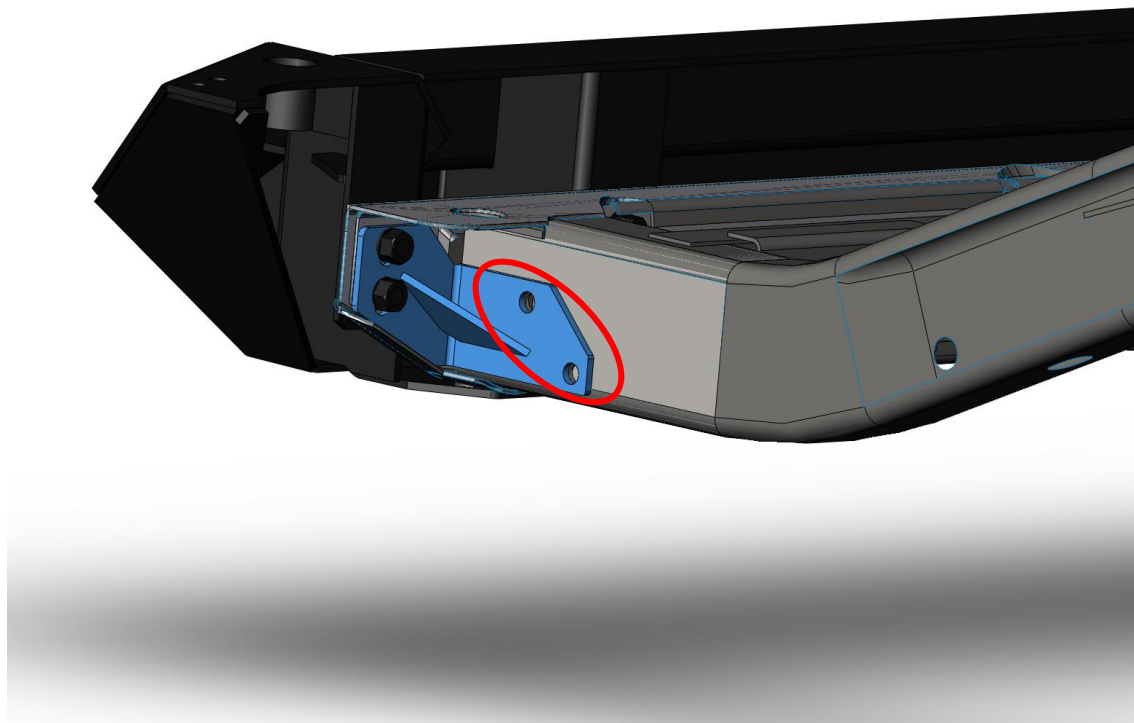


## Installation Instructions Jeep TJ/LJ Rear Base Bumper

Product Number: Y1051

Application: '97-2006-Current Jeep TJ/LJ

**B. Install the supplied 3/8" Hardware attach the Outer Frame Mounts to each outside frame rail as shown below. HINT: Use some tape on the end of a wrench to hold the nut to the wrench as it is inserted into the hole on the bottom of the frame as you spin the bolts in from the outside.**



**C. Align your Fab Fours bumper with mounting holes and install fasteners as shown below. Use (8) 7/16" bolts, flat washers, lock washers, and nuts. Install bolts through frame cross member from front to back. On TJ Models this will require loosening the gas tank and/or skid plate to install the bolts into the holes that were drilled out above. NOTE: Do not tighten any of the fasteners fully until all are in place and side to side alignment is satisfactory.**

**D. Install the (2) OEM bolts (removed in the beginning) through the lower bumper mounting flange and into the frame.**





## Installation Instructions Jeep TJ/LJ Rear Base Bumper

Product Number: Y1051

Application: '97-2006-Current Jeep TJ/LJ

- E. Double check side to side alignment and tighten all fasteners securely.***
  
- F. Install the supplied plastic plugs into the fastener holes in exterior of the bumper.***
  
- G. Your new Fab Fours Rear Base Bumper is now installed on your Jeep TJ! Enjoy!***





## Installation Instructions Jeep TJ/LJ Rear Base Bumper

Product Number: Y1051

Application: '97-2006-Current Jeep TJ/LJ

### V. Maintenance/Care

- Periodically check and tighten all nuts.
- Stripped, fractured, or bent bolts or nuts need to be replaced.
- Periodically grease the tire carrier pivot, if installed.
- Periodically check the tension of the latch hook, if Tire Carrier is Installed.

### VI. Contact Information

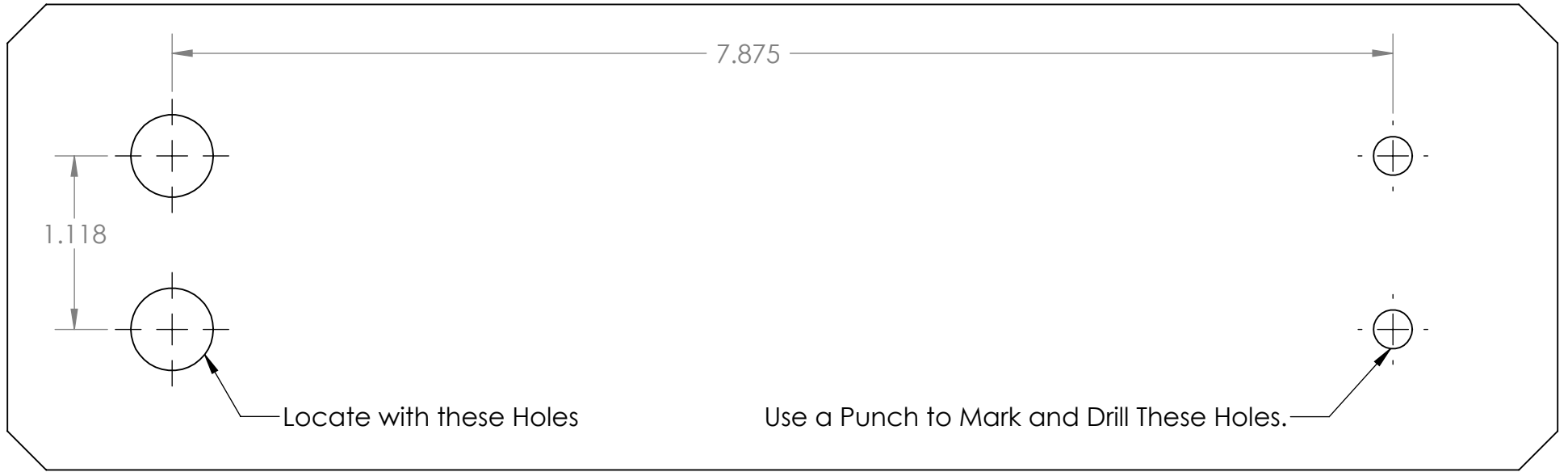
Fab Fours Inc.  
10424 Rodney St.  
Pineville, NC 28134

Phone (866)-385-1905  
Fax (970)-385-1914  
Email [Support@fabfours.com](mailto:Support@fabfours.com)



**More than expected... Better than expected**





TITLE:		
JT97-Y, Rear Bumper Mounting Drill Jig		
SIZE	DWG. NO.	REV
<b>A</b>	<b>20041</b>	
SCALE: 1:1	WEIGHT: 0.64	SHEET 1 OF 1



# Installation Instructions

## Jeep JK/TJ Rear Bumper Tire Carrier

Product Number: Y1251T  
Application: '97-Current Jeep JK/TJ/LJ with Fab Fours Base Bumper

## SAFETY

### Your safety and the safety of others is very important.

- In order to help you make informed decisions about safety, we have provided installation instructions and other information.
- These instructions alert you to potential hazards that could hurt you or others.
- Please do a job safety analysis (JSA) before each task to identify potential hazards for your situation and remove/protect against them.
- You must use your own good judgment, and take your time.

**Read and understand all safety precautions and instructions before installing this product.**

THIS PRODUCT IS FOR OFFROAD USE ONLY. ALL LIABILITY FOR INSTALLATION AND USE RESTS WITH THE OWNER.

**CARELESS INSTALLATION AND OPERATION CAN RESULT IN SERIOUS INJURY OR EQUIPMENT DAMAGE.**

## Injury hazard

### Failure to observe these instructions could lead to severe injury or death.

- Always** remove jewelry and wear eye protection.
- Always** use extreme caution when jacking up a vehicle for work. Set emergency brake and use tire blocks. Locate and use the vehicle manufacturers designated lifting points. Use jack stands.
- Always** use appropriate and adequate care in lifting components into place.
- Always** insure components will remain secure during installation and operation.
- Always** wear safety glasses when installing this kit. A drilling operation will cause flying metal chips. Flying chips can cause serious eye injury.
- Always** use extreme caution when drilling on a vehicle. Thoroughly inspect the area to be drilled (on both sides of material) prior to drilling, and relocate any objects that may be damaged.
- Always** use extreme caution when cutting and trimming during fitting.
- Always** tighten all nuts and bolts securely per installation instructions.
- Always** route electrical cables carefully. Avoid moving parts, components that become hot and rough or sharp edges.
- Always** insulate and protect all exposed wiring and electrical terminals.
- Always** perform regular inspections and maintenance on mounts and related hardware.





# Installation Instructions

## Jeep JK/TJ Rear Bumper Tire Carrier

Product Number: Y1251T

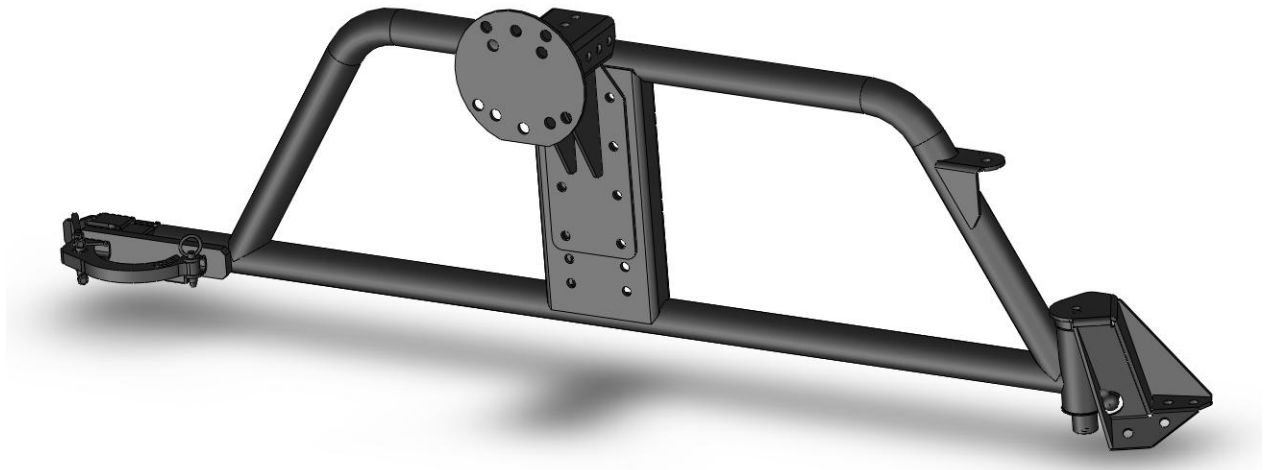
Application: '97-Current Jeep JK/TJ/LJ with Fab Fours Base Bumper

### I. Overview

Congratulations on your new purchase of the industries' best and most stylish Jeep JK/TJ/LJ Rear Tire Carrier to go with your Fab Fours Rear Base Bumper Purchase! This Tire Carrier has been **engineered** for strength while keeping the weight down. PLEASE CONTACT FAB FOURS TO PURCHASE THE OPTIONAL HI-LIFT JACK MOUNT!

Your bumper was designed in 3-D from digitized data, CNC laser cut, fabricated, and powder coated... all in the U.S.A.

Enjoy the fit and finish of a quality Jeep Tire Carrier from Fab Fours Inc.





# Installation Instructions

## Jeep JK/TJ Rear Bumper Tire Carrier

Product Number: Y1251T  
Application: '97-Current Jeep JK/TJ/LJ with Fab Fours Base Bumper

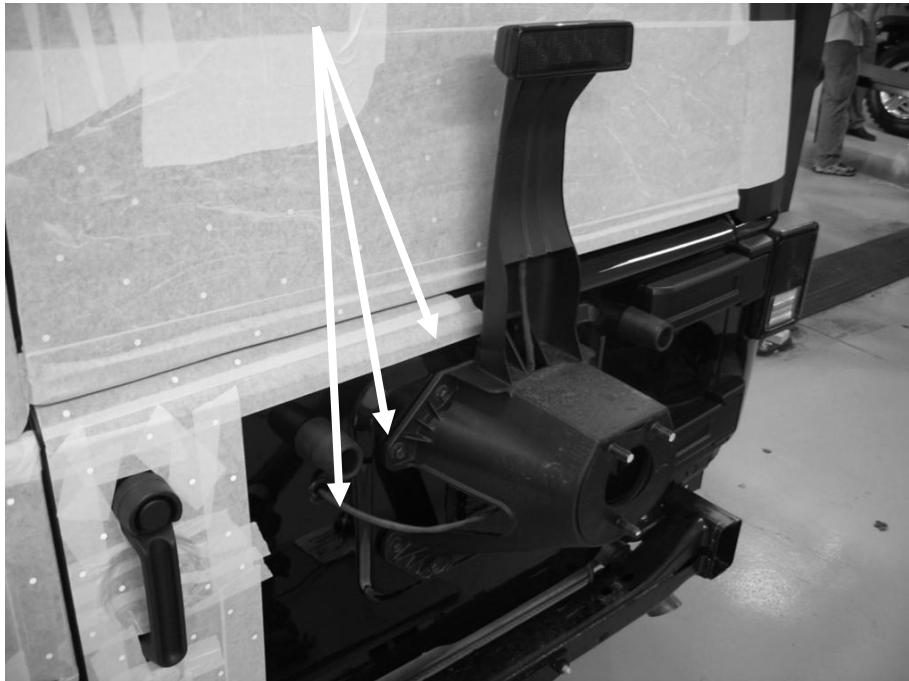
### II. Tools Required

- 18mm, 5/8" Wrenches
- 18mm, 19mm, 5/8" Socket
- 5/8" Wrench and Deep Socket
- 11/16" Wrench
- Socket wrench and short extension

### III. Vehicle Preparation JK/TJ/LJ

**A. Cut wires to the 3<sup>rd</sup> brake light leaving enough excess wire for future connections. (Tape over the ends of the wires to not allow shorting.), seal vehicle side of the wire harness, and secure.**

**B. Remove the bolts holding OEM spare tire carrier to rear gate. Support tire carrier such that it does not fall when bolts are removed.**





## Installation Instructions

### Jeep JK/TJ Rear Bumper Tire Carrier

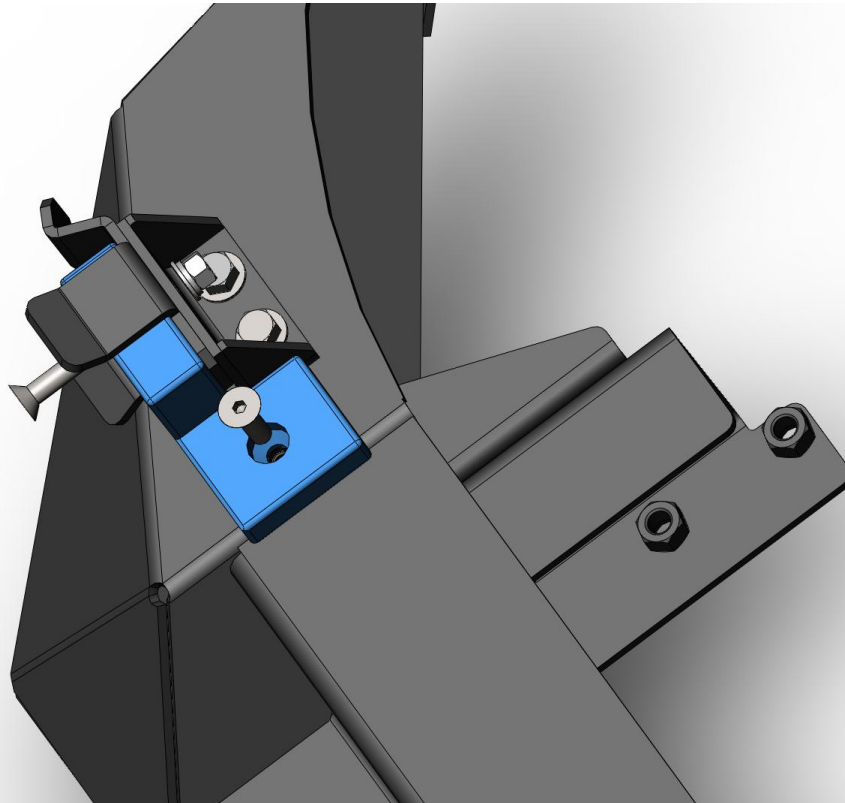
Product Number: Y1251T

Application: '97-Current Jeep JK/TJ/LJ with Fab Fours Base Bumper

#### IV. Bumper Installation

**A. Install the Latch Hook Bracket to the top face of the bumper on the driver side using two 7/16" Bolts and Washers.**

**B. With Latch Hook Bracket installed use the two stainless steel countersunk socket head cap screws to attach the Tire Carrier Landing(Shown In Blue) pad to the Latch Hook Bracket and the Bumper. Use a Washer, lock washer, and nut on the longer bolt passing through the Latch Hook Bracket. See Image Below.**



**C. NOTE: FOR TJ/LJ's slight trimming to the bottom lip of the OEM Plastic License Plate Mount might be require to align the Latch Hoop Bracket with the holes in the top of the bumper. A die grinder/dremel tool with a cut-off wheel or a sharp utility knife will work for this. If you have installed a Body Lift this should not be an issue.**



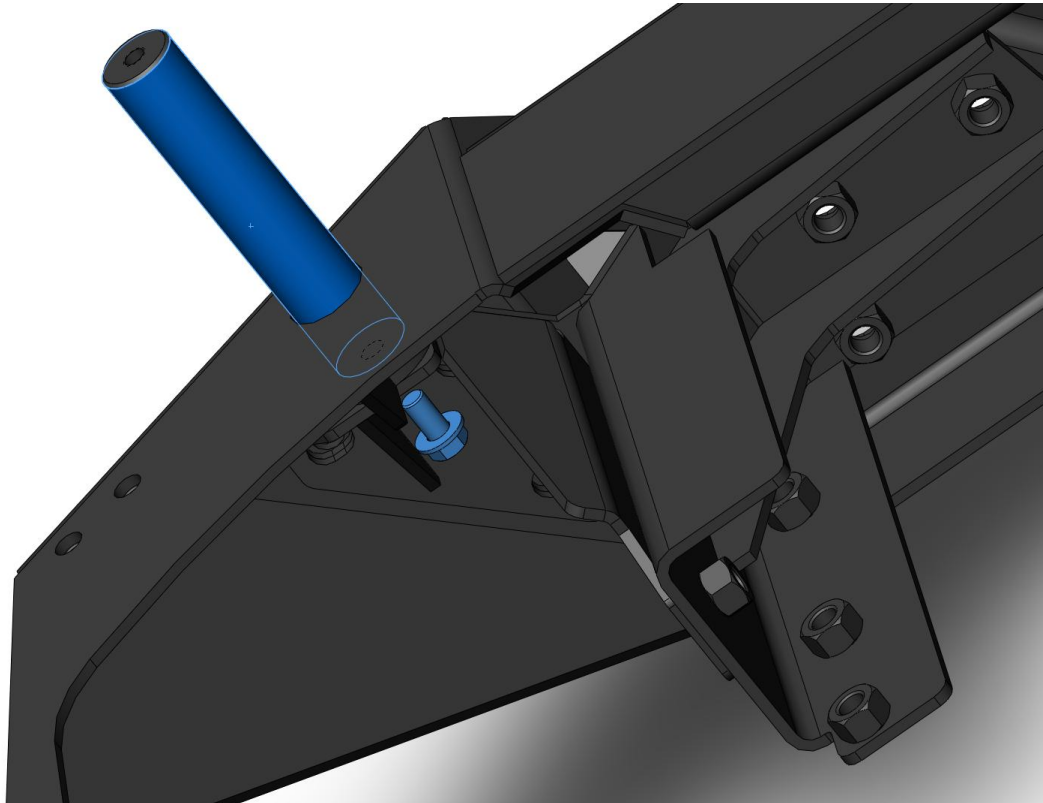


## Installation Instructions Jeep JK/TJ Rear Bumper Tire Carrier

Product Number: Y1251T

Application: '97-Current Jeep JK/TJ/LJ with Fab Fours Base Bumper

***D. Install the Tire Carrier Pivot shaft into the larger hole on the top of the Passenger Side of the bumper using one 3/8"-24 bolt and washer. See Image Below, Shaft and Bolts are Highlighted in Blue. Tighten Bolt.***



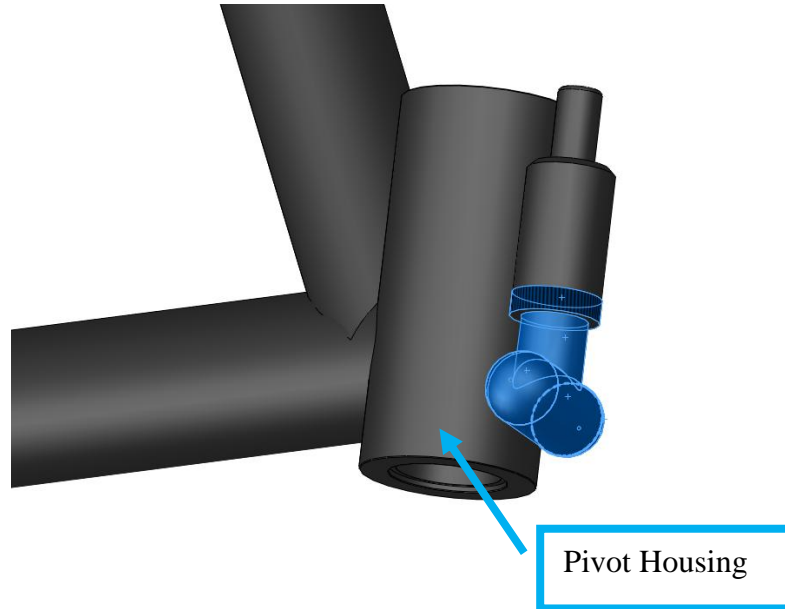


## Installation Instructions Jeep JK/TJ Rear Bumper Tire Carrier

Product Number: Y1251T

Application: '97-Current Jeep JK/TJ/LJ with Fab Fours Base Bumper

***E. Install the Black plastic T-Handle plunger(Highlighted in Blue) into the Barrel Housing welded to the Tire Carrier Pivot Housing. See image above.***



***F. Apply a thin coat of White Lithium Grease to the perforated side of the included flat thrust washers and the inside of the bearings that are installed from Fab Fours into the Pivot Housing. A coat thick enough to fill the holes will suffice. Please Contact Fab Fours Immediately if the Cylindrical Bearings Are not Installed in the Tire Carrier Pivot Housing.***



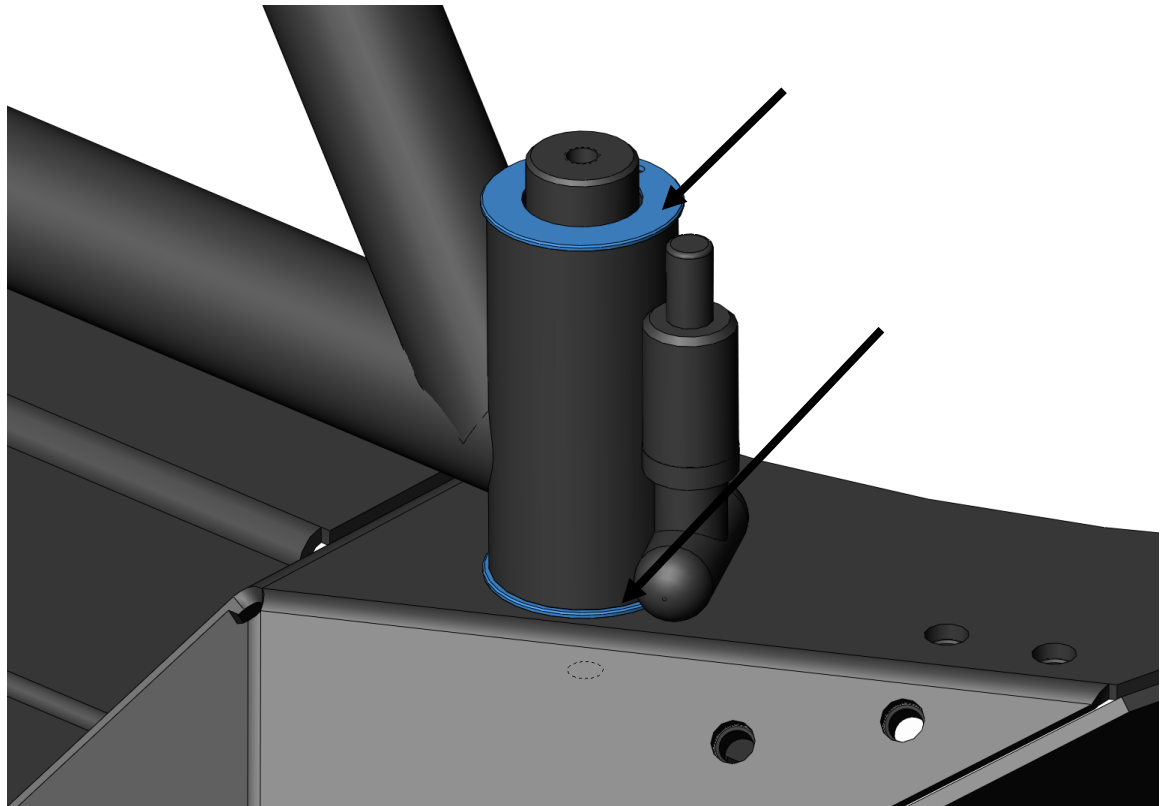


## Installation Instructions Jeep JK/TJ Rear Bumper Tire Carrier

Product Number: Y1251T

Application: '97-Current Jeep JK/TJ/LJ with Fab Fours Base Bumper

***G. Install one of the Thrust Washers onto the shaft with the greased perforated side facing down onto the bumpers top face. Then Slide the Tire Carrier Assembly gently onto the shaft not to damage the bearings greased in the previous step. Then Place the remaining Thrust Washer on the top of the Pivot Housing with the greased perforated side facing up. See Image Below. Thrust Washers are shown in Blue.***





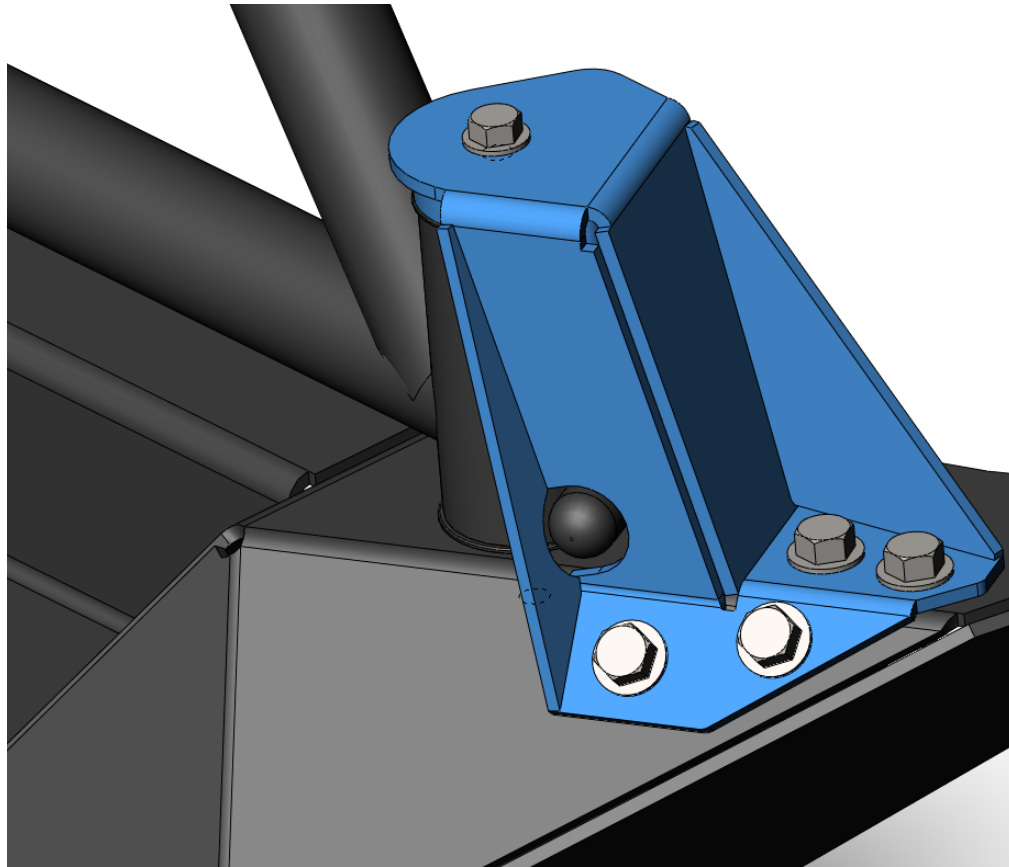
## Installation Instructions

### Jeep JK/TJ Rear Bumper Tire Carrier

Product Number: Y1251T

Application: '97-Current Jeep JK/TJ/LJ with Fab Fours Base Bumper

**H. Position the Tire Carrier Pivot Upper Bracket over the remaining portion of the Pivot Shaft inserting the last remaining 3/8"-24 Bolt and washer through the top of the mount and into the shaft. Position the bracket to allow for the remaining four 7/16-14x1" long bolts and washers to be inserted through the bracket and into the bumper As Shown Below(Bracket Highlighted in Blue and the bolts in Grey).**



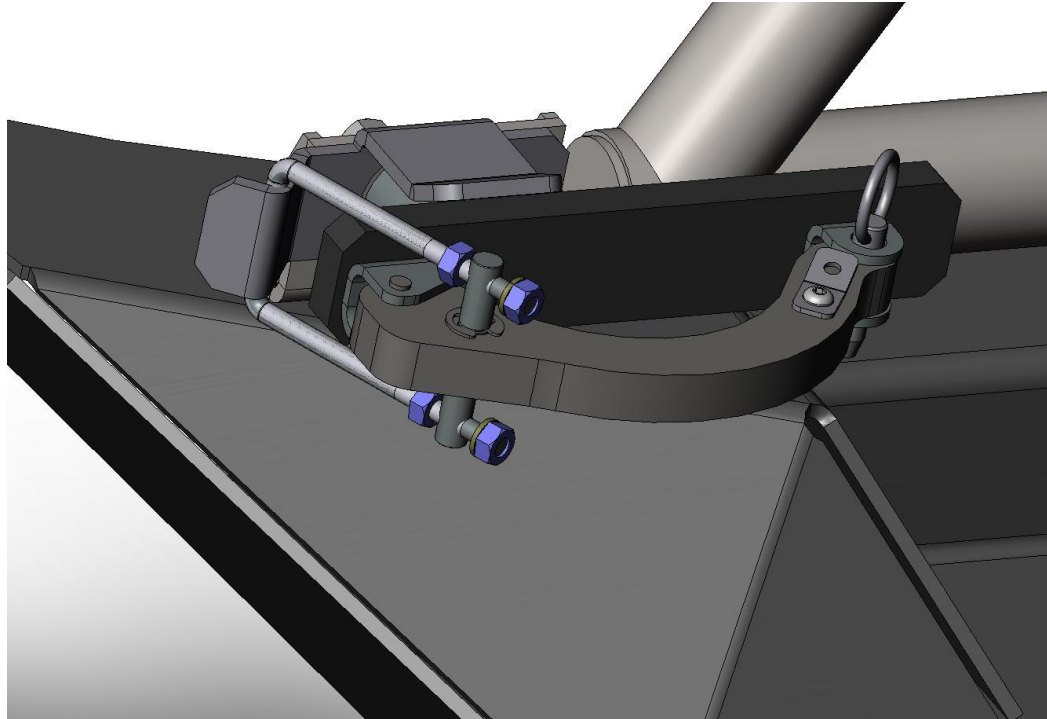


## Installation Instructions Jeep JK/TJ Rear Bumper Tire Carrier

Product Number: Y1251T

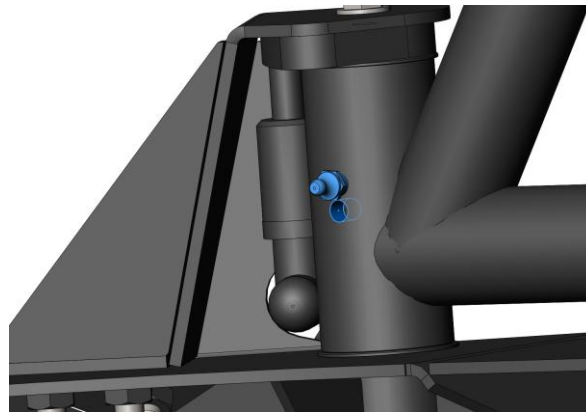
Application: '97-Current Jeep JK/TJ/LJ with Fab Fours Base Bumper

**I. Using the supplied Hardware attach the Latch Hook and Lanyard tab to the Latch Handle As Shown Below. Make sure the opposite end of the Lanyard is through the retaining pin(Not Shown)**



**J. Adjust the Latch Hoop To shut firmly against the Landing pad. Lock it into place with the Locking Nuts.**

**K. Insert the supplied Grease Fitting into the back side of the Tire Carrier Pivot Housing. See Image Below.**





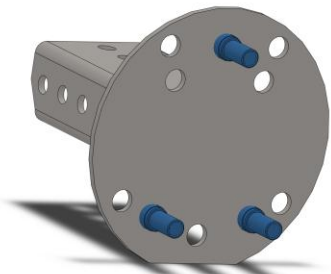
# Installation Instructions

## Jeep JK/TJ Rear Bumper Tire Carrier

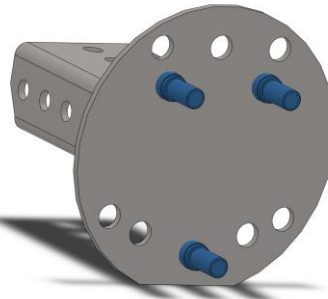
Product Number: Y1251T

Application: '97-Current Jeep JK/TJ/LJ with Fab Fours Base Bumper

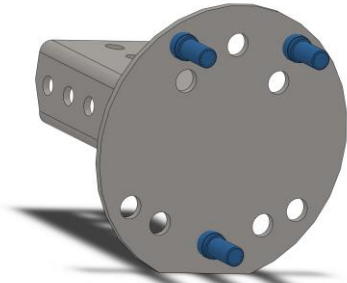
***L. Using a Shop Press, Bench Vise, or a C-Clamp press the supplied studs into Tire Mount Bracket using the Images Below for your specific Bolt Pattern. Double Check to your wheel prior to pressing in the studs. The studs should protrude through the Flat Plate and extend AWAY from the formed Channel.***



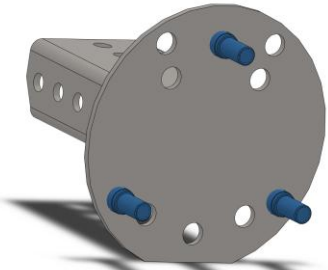
5on5" OEM Jeep JK



5on4.5" OEM Jeep TJ/XJ/YJ



5on5.5" OEM Jeep CJ/Custom



6on5.5" Chevy/Toyota/FSJ  
Custom





## Installation Instructions Jeep JK/TJ Rear Bumper Tire Carrier

Product Number: Y1251T

Application: '97-Current Jeep JK/TJ/LJ with Fab Fours Base Bumper

**M. With the Studs installed into the Tire Mount Plate, lay your spare tire on the ground with the outside of the wheel facing to the ground. Insert the Tire Mount Plate into the back of the wheel. Now Slide the Tire Vertical Mount into the Channel on the Mount Plate as shown below. Mark the holes to be used when the Tire Vertical Mount is either close to or touching the side of the tire.**



**N. Use the Supplied 7/16"-14 x1.25" Long Bolts, washers(Each Side), lock washers, and nuts to secure the Tire Vertical Mount's channel to the Tire Mount's Channel with two bolts(4 Total) passing through each side and the nuts located on the inside of the Channel of the Tire Vertical Mount.**

**O. Install one 7/16-14x1" Long Bolt, 2 washers, lock washer, and nut through the hole passing through the top section of both locating the nut again on the inside of the channel.**



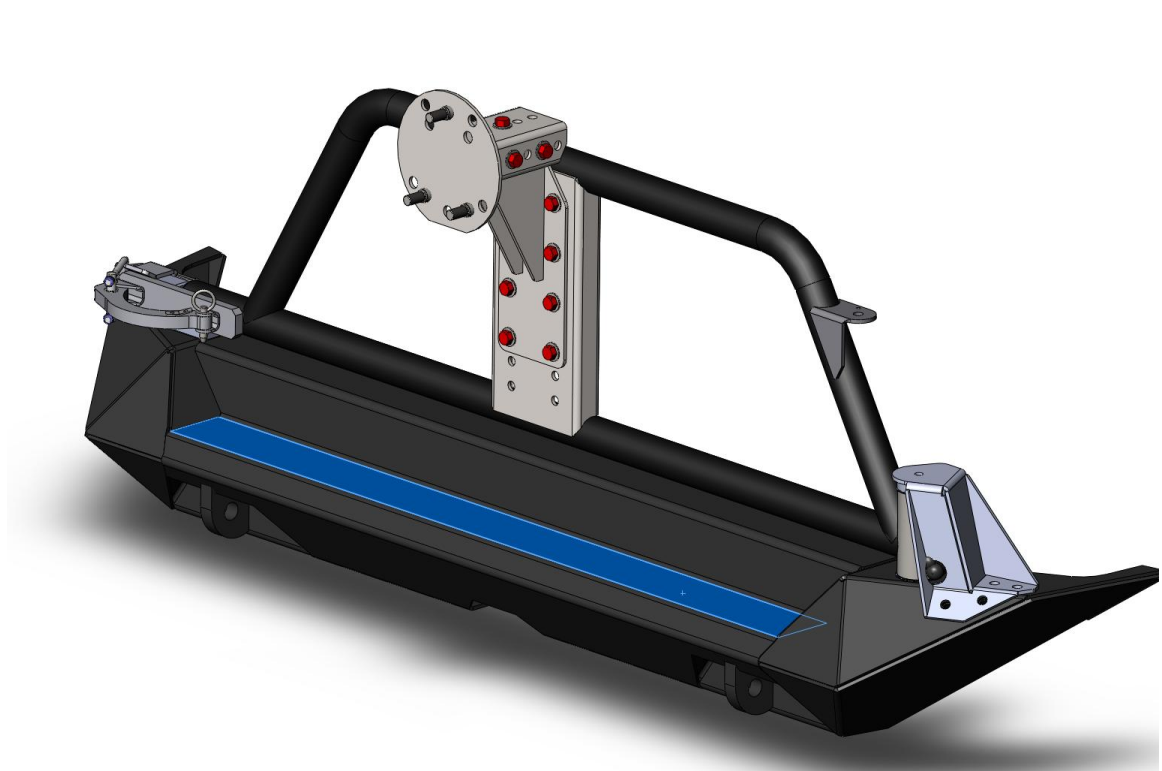


## Installation Instructions Jeep JK/TJ Rear Bumper Tire Carrier

Product Number: Y1251T

Application: '97-Current Jeep JK/TJ/LJ with Fab Fours Base Bumper

***P. With the Tire still laying on the ground take a measurement from the bottom of the Vertical Mount Plate to the bottom of the Tire. Now use this measurement to locate the Tire Mount assembly to the Tire Carrier already mounted to your Rear Bumper by measuring down to face of the bumper Highlighted Below.***



***Q. Install the remaining 7/16"-14x 1" Long bolts, washers, lock washers, and nuts to mount the Tire Mount Assembly to the Tire Carrier as shown Above.***

***R. Re-Tighten All Bolts in the Assembly!***

***S. With the Tire Carrier Latched Shut Place the Spare Tire Onto the Tire carrier and use the OEM lug nuts to secure it to the OEM specifications in your owners manual.***





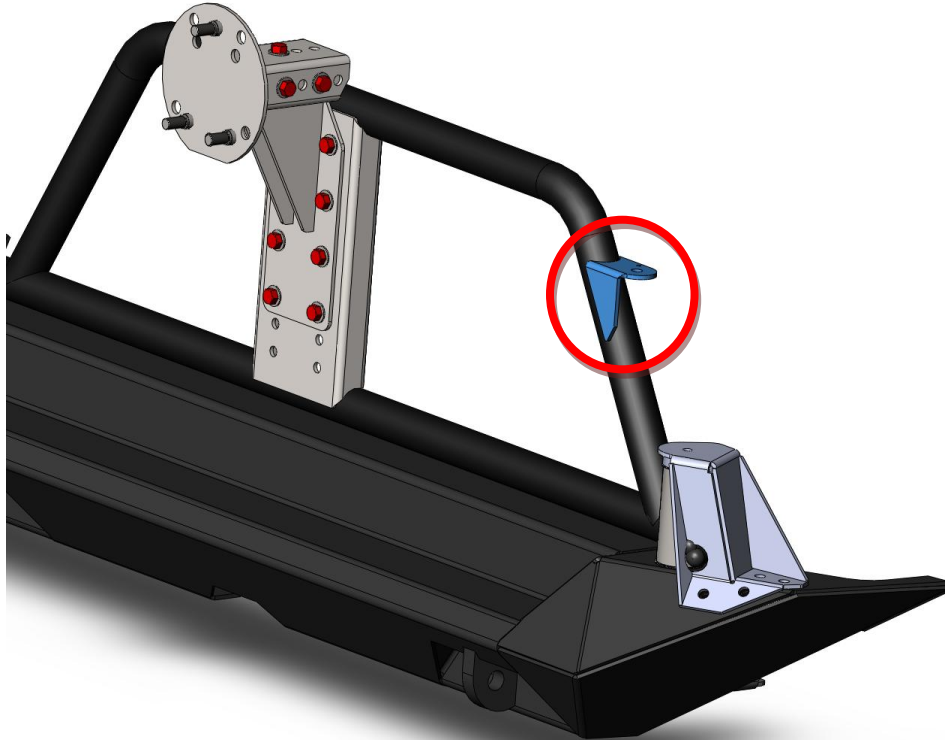
# Installation Instructions

## Jeep JK/TJ Rear Bumper Tire Carrier

Product Number: Y1251T

Application: '97-Current Jeep JK/TJ/LJ with Fab Fours Base Bumper

***T. If you have or plan to purchase a CB, your Fab Fours Tire Carrier comes standard with a CB Antenna Mount shown below.***





## Installation Instructions

### Jeep JK/TJ Rear Bumper Tire Carrier

Product Number: Y1251T

Application: '97-Current Jeep JK/TJ/LJ with Fab Fours Base Bumper

#### V. Tire Carrier Operation

***A. To open the latch mechanism, remove spring lock pin, firmly grasp handle, and rotate as shown below to release compression on the latch bumper. ALWAYS USE THE SPRING PIN WHEN LATCH IS IN THE CLOSED POSITION!***



***B. Your Tire Carrier is equipped with a Retaining Pin that will hold your tire carrier open when getting items in and out of the back of the vehicle. It however is not to be used as a catch for swinging the tire carrier opened un-controlled for it to engage. Any un-controlled opening could result in damage to the tire carrier itself, the bumper, and possibly the vehicle it is installed on. PLEASE USE CAUTION WHEN OPENING!***





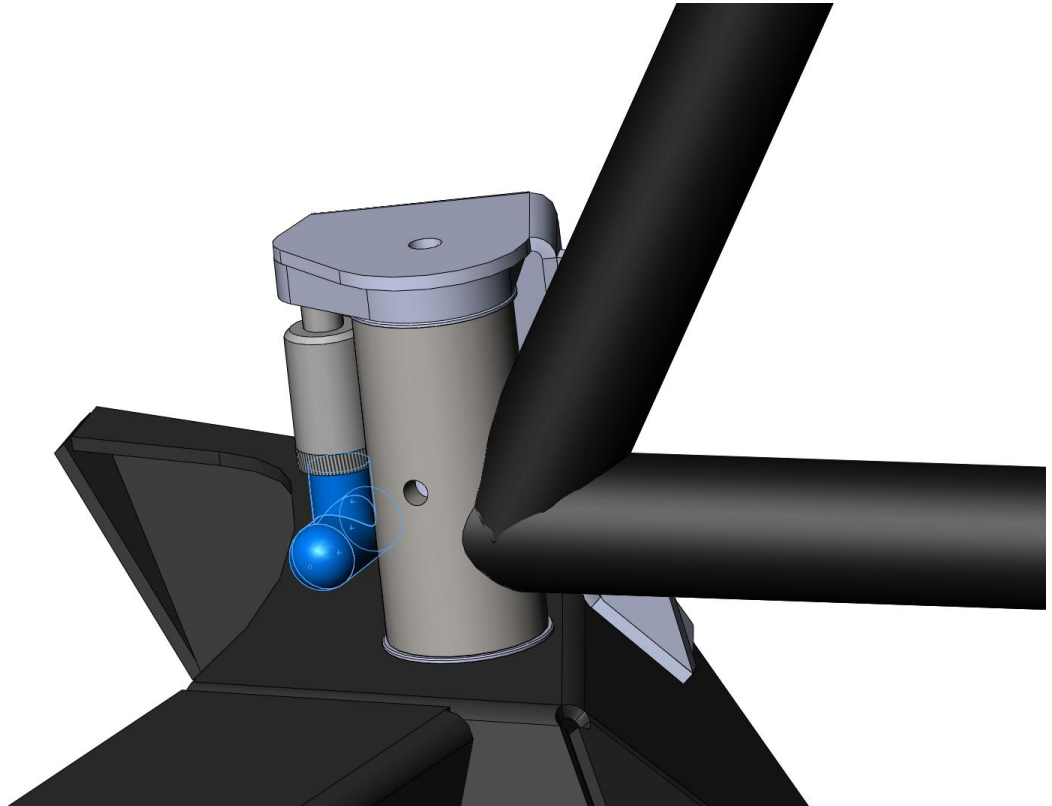
## Installation Instructions

### Jeep JK/TJ Rear Bumper Tire Carrier

Product Number: Y1251T

Application: '97-Current Jeep JK/TJ/LJ with Fab Fours Base Bumper

***C. Once Tire Carrier is opened and the retaining pin pops into place, you must pull the T-Handle(Highlighted Below) downward while pulling the Tire Carrier closed.***





# Installation Instructions

## Jeep JK/TJ Rear Bumper Tire Carrier

Product Number: Y1251T

Application: '97-Current Jeep JK/TJ/LJ with Fab Fours Base Bumper

### **Maintenance/Care**

- Periodically check and tighten all nuts.
- Stripped, fractured, or bent bolts or nuts need to be replaced.
- Periodically grease the tire carrier pivot.
- Periodically check the tension of the latch hook..

## VI. Contact Information

Fab Fours Inc.  
10424 Rodney St.  
Pineville, NC 28134

Phone (866)-385-1905  
Fax (970)-385-1914  
Email [Support@fabfours.com](mailto:Support@fabfours.com)



More than

Better than expected

expected...

