

# JKS™

## Installation Instructions

Product: **B1 Body Lift™**

Part Number: **PN 9903**

Application: **Wrangler YJ, 1987-95**

### Welcome

CONGRATULATIONS on your purchase of a new JKS B1 Body Lift! At JKS Manufacturing, we are committed to providing you with the best products available and your satisfaction is our first priority.

PLEASE READ these Installation Instructions carefully, and save them for future reference, as they contain important installation and maintenance information.

### Important

**INSTALLATION OF JKS MOTOR LIFT** in conjunction with B1 Body Lift is recommended. This will make installation steps 2, 6 and 7 unnecessary.

**BODY LIFT MUST BE INSTALLED** on one side of vehicle at a time.

### Tools Required

- Metric/Standard Socket Wrench Set
- Torque Wrench
- Tape Measure
- Philips Screwdriver
- Medium Strength Threadlocker
- Hydraulic Floor Jack
- Sturdy Block of Wood (to protect body)
- Center Punch and Hammer
- 3/16" and 7/32" Drill Bits
- 1/4" NF Tap \*
- Reciprocating Saw or Die Grinder with Cut-Off Wheel \* (for trimming fan shroud)
- Factory Service Manual (recommended)

*\* Asterisk denotes tools that are not required for some applications. Thoroughly read instructions first to determine which tools will be required for your application.*

### Parts



	DESCRIPTION	QTY
<b>A</b>	Dura-Thane™ Body Puck	11
<b>B</b>	1/2" x 4-1/2" Bolt	6
<b>C</b>	1/2" Flat Washer	6
<b>D</b>	7/16" x 4" Bolt	5
<b>E</b>	7/16" Flat Washer	5
<b>F</b>	Extended Radiator Bumper	2



## ATTENTION INSTALLER

SKIP STEPS 2, 6 AND 7 IF INSTALLING A 1" MOTOR MOUNT LIFT IN CONJUNCTION WITH BODY LIFT

### Installation

#### 1. REMOVE CHASSIS COVER

- Remove the mounting screws from the plastic (JEEP embossed) crossmember cover in front of vehicle grill.
- Remove crossmember cover from chassis rails.
- Remove steel strip in front of grill that holds the steel brake line. Save the two plastic brake line clips for re-installation, and discard steel strip.

#### 2. UNBOLT FAN SHROUD

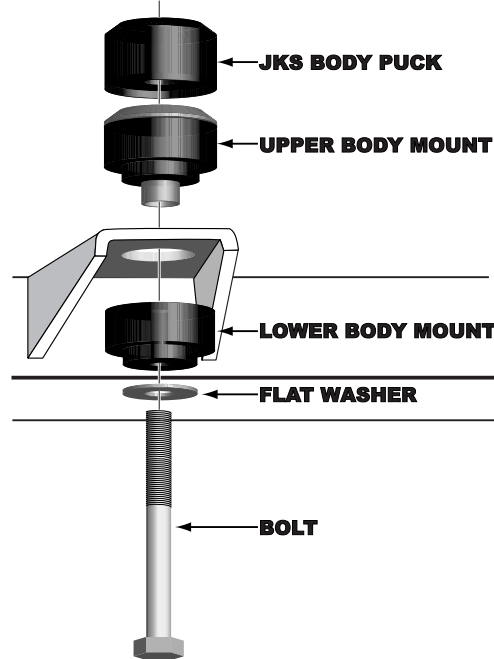
- Remove the four bolts holding the plastic fan shroud to the steel radiator bracket. Retain hardware for re-installation.

#### 3. LOOSEN BODY MOUNTS

- Locate all eleven body mount bolts on vehicle. Refer to the BODY MOUNT LOCATION DIAGRAM for assistance.
- Loosen each body mount bolt, but DO NOT REMOVE until instructed.
- Remove the bolt from body mount ① located beneath the grill.
- Remove the bolts from body mounts ②, ③, ④, ⑤, and ⑥ on DRIVER SIDE of vehicle only.  
**HINT:** Body mount ⑤ is located between fuel tank and rear axle.

#### 4. INSERT BODY PUCKS

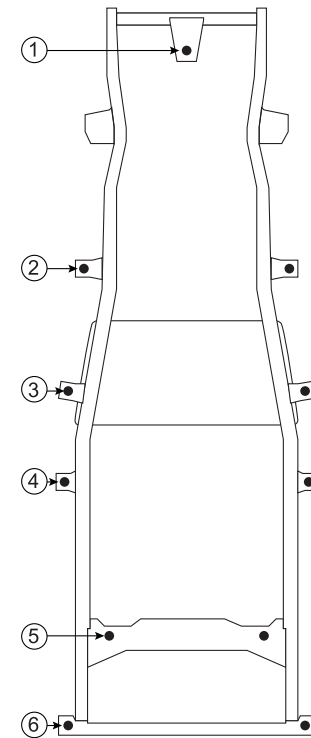
- Position a hydraulic jack next to body mount ③ on DRIVER SIDE of vehicle.
- Place a sturdy wooden block between the hydraulic jack pad and channel portion of vehicle body for protection.
- Carefully raise the vehicle body just enough to insert the 1.25" Body Pucks (A) between body and factory body mounts ②, ③, ④, ⑤, and ⑥.



**HINT:** Position Body Pucks with recessed bottom encapsulating the OE body mount.

- Locate the factory rubber radiator bumper beneath the grill panel and replace with the supplied Extended Radiator Bumper (F) using the original hardware.
- With Body Pucks (A) and Extended Radiator Bumper (F) inserted, slowly lower the vehicle body onto mounts, ensuring correct alignment of body on chassis.
- Apply medium strength thread locking compound to three of the supplied 1/2" x 4-1/2" Bolts (B) and two of the 7/16" x 4" Bolts (D).

- Insert the 1/2" x 4-1/2" Bolts (B) with 1/2" Flat Washers (C) into body mount positions ②, ③, and ④. Insert the 7/16" x 4" Bolts (D) with 7/16" Flat Washers (E) into body mount positions ⑤ and ⑥. Start threads but DO NOT TIGHTEN bolts until instructed.
- Repeat this procedure with body mounts ②, ③, ④, ⑤, and ⑥ and Extended Radiator Bumper on the PASSENGER SIDE of vehicle.
- Insert the last remaining Body Puck (A) at body mount ① located beneath the grill.
- Apply medium strength thread locking compound to the last remaining 7/16" x 4" Bolt (D) and insert with a 7/16" Flat Washer (E) into body mount position ①.
- Using a torque wrench, tighten all 1/2" and 7/16" Bolts (B and D) to 30-35 ft-lbs.  
**HINT:** Use care when tightening bolts to avoid crushing factory rubber body mounts.



**BODY MOUNT LOCATION DIAGRAM**

---

## ❑ 5. SECURE STEEL BRAKE LINE

- Locate the grill support that is welded to the round cross member at front of chassis.
- Drill two 3/16" holes through top of grill support located approximately 3/4" from edge of support and directly in front of the grill.
- Insert the two plastic brake line clips into the 3/16" holes, and then snap the steel brake line into plastic clips.

---

## ❑ 6. MODIFY RADIATOR

- Locate the four plastic fan shroud mounting holes on the steel radiator bracket.
- Measure exactly 1" below the factory mounting holes and mark the location with a center punch.
- Drill a new 7/32" hole through all four center punched marks.
- Test fit the fan shroud to the radiator by aligning with the new mounting holes.
- Check for interference between the fan shroud and radiator hoses, fan blades, or any other objects. If necessary, trim the fan shroud until it completely clears any interferences.
- Secure the fan shroud to the steel radiator bracket with the original four mounting bolts.

**HINT:** *The original bolts may be used to tap the new mounting holes. However, it will be easier to install the bolts if the mounting holes are pre-tapped with a 1/4" NF tap.*

---

## ❑ 7. CHECK T-CASE OPERATION

- Check operation of the shift lever to ensure the transfer case fully engages all ranges.  
**HINT:** *If necessary, adjust linkage between shift lever and bell crank. If interference is experienced, it may be necessary to trim the floor to provide sufficient shift lever clearance.*

---

## ❑ 8. POST-INSTALLATION

- Check all mounting hardware to ensure it has been correctly installed and tightened to factory torque specifications.
- Check torque specifications for all mounting hardware after driving vehicle 50 miles, and after first time off-road.

---

### ***Maintenance***

Check all torque specifications as part of regular vehicle maintenance schedule.

---

© 2006 JKS Manufacturing, Inc & Aftermarketing, LLC  
Revision Date 7/19/2006