

Liability Release

The purchaser of this product agrees that the manufacturer of this product has no responsibility or liability for errors in installation and/or resulting injury and/or accidents resulting from or associated with use and/or installation of this product.

Purchaser agrees to release manufacturer from any and all liability for personal injuries including death and property losses or damage occasioned by, or in connection with any activity or accommodations for use and/or installation of this product, either professionally installed or self installed.

Purchaser furthermore agrees to hold harmless and indemnify said manufacturer organization(s) its directors, employees and agents, for any liability sustained by use and/or modifications of product or vehicle, including claims for damages, losses, injuries, and expenses arising out of or resulting from use of product.



1907 Woodland Ave.
Coffeyville, KS 67337
Phone: (620) 251-9100
Fax: (620) 251-2622

INSTALLATION INSTRUCTIONS

JK MODEL SHELF

FOR THE JK MODEL JEEP

1. Remove both Freedom Tops to allow better access to roll bars and windshield foot loop. Turn sunvisors down against inside of windshield.

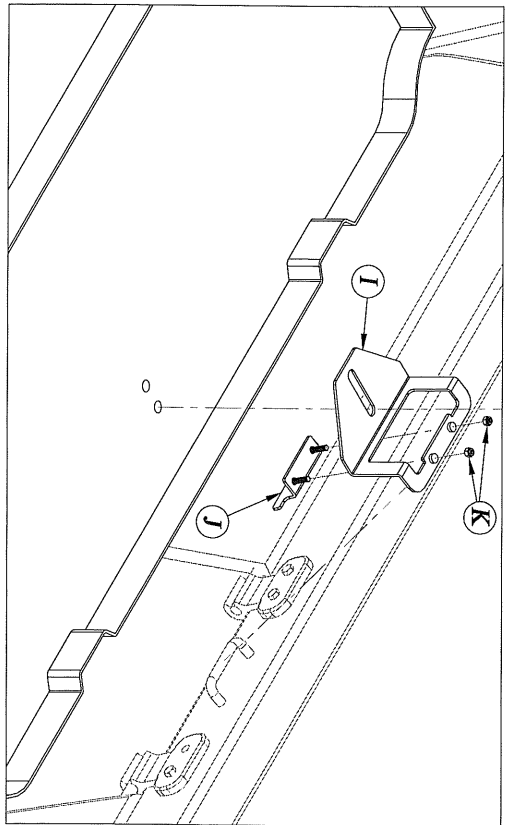
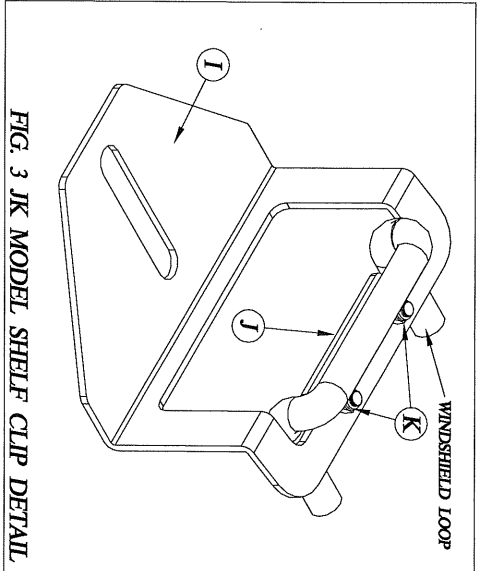
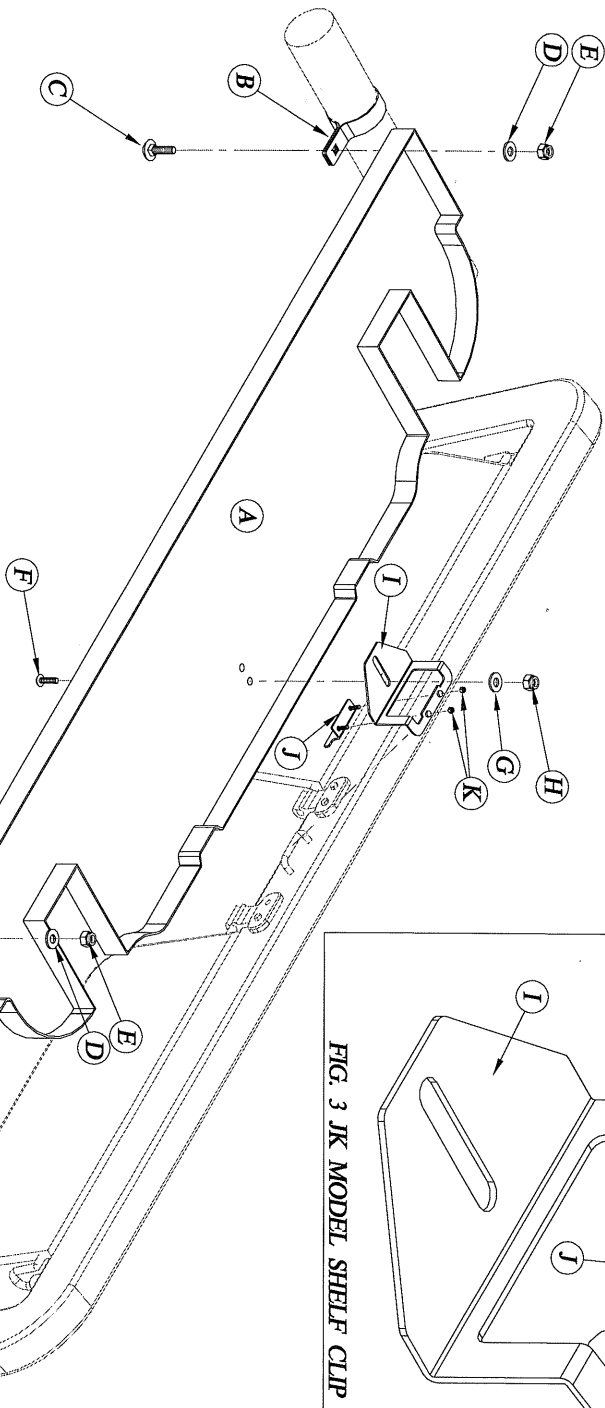
2. Open the circular brackets (B) and slip around side roll bars attaching the circular brackets to each side of the shelf (A) with the 5/16" x 1 1/2" carriage bolt (C), 5/16" flat washer (D), and 5/16" nyloc nut (E) provided. Do not tighten hardware. Refer to back side of this instruction sheet for supplemental instructions for closing circular brackets around roll bars.

3. Attach center bracket (I) to shelf using the 1/4" pan head screw (F), 1/4" flat washer (G) and 1/4" nyloc nut (H) provided. Do not tighten hardware.

4. Attach slip joint bracket (J) to center bracket (I) using 3/16" nyloc nuts (K) provided. Do not tighten hardware. Slide shelf forward toward windshield until slip joint bracket (J) clamps through windshield loop as shown in Fig. 3. Tighten 3/16" nyloc nut (K) securing windshield loop between center bracket (I) and slip joint bracket (J).

5. Tighten all remaining hardware at this time. Place the provided non-skid shelf lining into completed shelf.

6. Mount one of the furnished 1" self-adhesed bump-stop pads to each sun visor at the point where the sun visor, in the up position, will touch the bottom of the shelf.



Phone: (620) 251-9100

www.misch4x4.com

Fax: (620) 251-2622

**SUPPLEMENTAL INSTRUCTION
JK MODEL SHELF
FOR THE JK MODEL JEEP**

- 1. In order to facilitate closing circular bracket (B) around roll bars wrap 8" zip tie (included) around circular clamp as shown in figure to the right.**
- 2. Pull zip tie closed around circular bracket (B) until carriage bolt (C) will extend through circular bracket and shelf. Install flat washer (D) and nyloc nut (E). Do not tighten hardware at this time. Carefully cut zip tie loose from circular bracket (B) and discard. Complete this procedure for both sides. Refer back to original instruction sheet for further instruction.**

