



INSTALLATION INSTRUCTIONS

GAS STRUT 7 1/2" WITH 2" STROKE #863

Call (970) 564-1762 for Technical Support

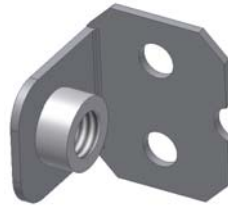
SHIPPING PACKAGE CHECKLIST



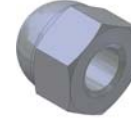
#3 Gas Strut



#4 – (2) Ball Stud



#7 Bracket



#5 - 5/16-18 CAP NUT



#6 - 5/16" WASHER



#2 – (2) 10-32 X 1/2" PHILLIPS SCREW



#1 – (2) 10-32 HEXWASHER NUT

TOOLS NEEDED

- Phillips head screw driver (Short)
- 3/8" Nut-driver and/or wrench
- 1/2" Socket and ratchet
- 1/2" Wrench

ATTENTION: When these instructions and drilling locations are followed on a Tuffy console with a standard hinge configuration the lid will open up 90 degrees and stop. If you desire a different lid stopping angle or have a non-standard hinge configuration the hole locations will need to be adjusted.

PLEASE READ ALL INSTRUCTIONS THOROUGHLY BEFORE STARTING INSTALLATION.

1. Remove the padded cushion and mark the spots for (2) 1/4" holes in lid to mount the #7 Bracket. Measure from the rear and right side on the outside top of the lid as illustrated. (See Figure 1)
2. Drill the (2) 1/4" holes in the lid. (See Figure 1)
3. Mark the hole on the right side panel for drilling a 3/8" hole as illustrated and drill it out. (See Figure 2)
4. Mount the #7 Bracket with the #4 Ball stud to the lid using the illustrated hardware. (See Figure 3)
5. Mount the #4 Ball stud in the side with the illustrated hardware (See Figure 3 & 4)
6. Press on the #3 Gas spring in the orientation illustrated with the rod facing down. (To remove it use a standard screwdriver to pry up the spring clip on the #3 Gas spring until it pops off, It is not necessary to completely remove the spring)

FIGURE 1

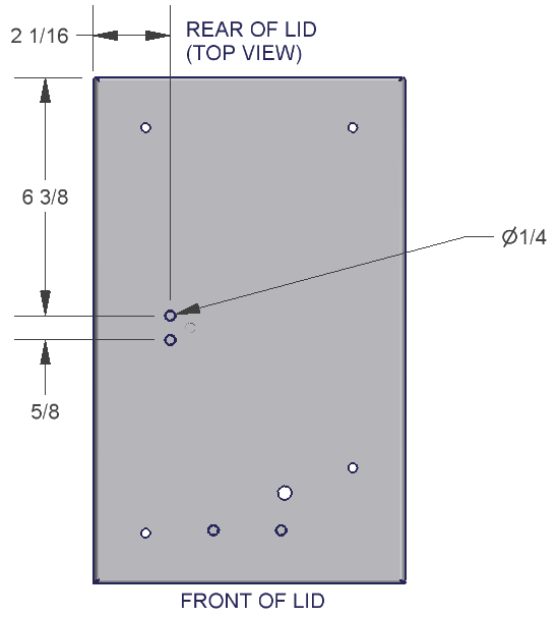


FIGURE 2

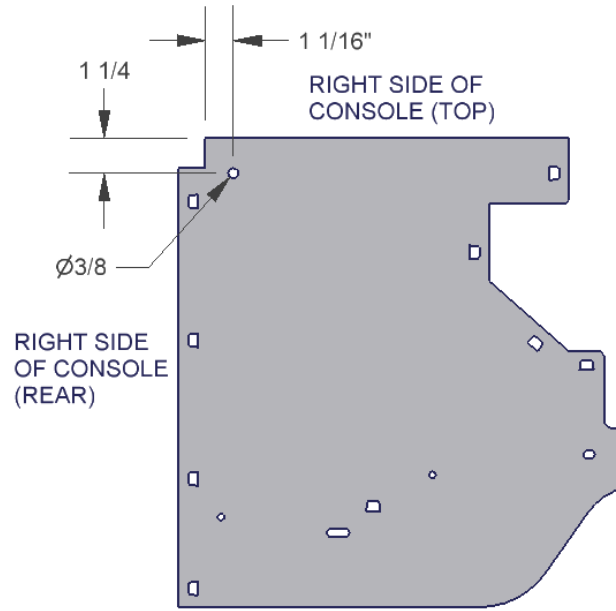


FIGURE 3

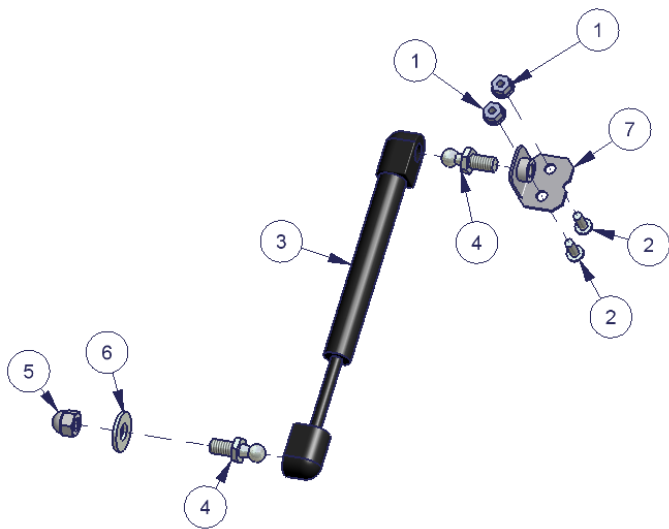


FIGURE 4

