

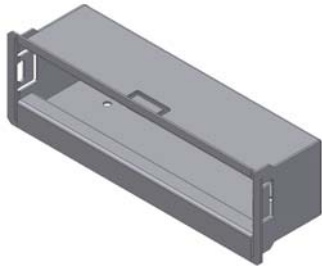


INSTALLATION INSTRUCTIONS

Stereo Dash Cutout Tray #150

Please read and fill out the enclosed warranty registration card to activate your warranty.

PARTS CHECKLIST



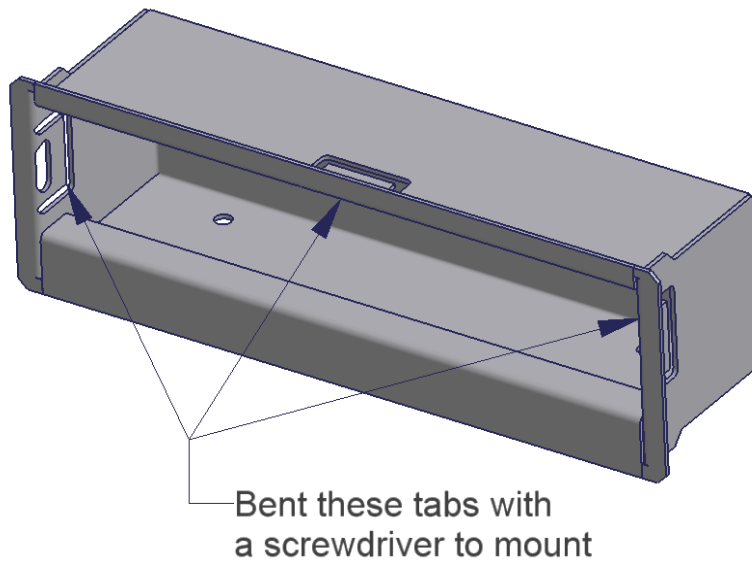
Stereo Dash Cutout Tray

TOOLS NEEDED

- Screwdriver (Flat head)

PLEASE READ ALL INSTRUCTIONS THOROUGHLY BEFORE STARTING INSTALLATION.

1. Insert the tray into the dash cutout where the stereo used to be and bend the (3) tabs with a screwdriver to mount.



Call (970)564-1762 for Technical Support