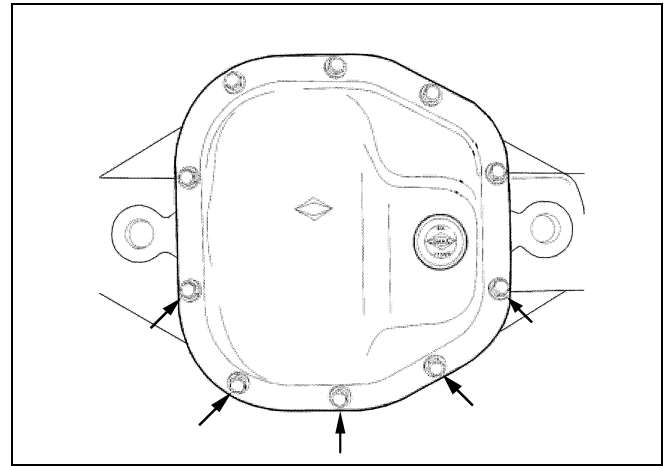


DANA 30 FRONT GLIDE PLATE KIT RS6222

Parts List

<u>PART NO.</u>	<u>DESCRIPTION</u>	<u>QTY.</u>
176571	Glide plate	1
860640	Hardware Kit	1
	5/16-18 x 1.00 HHCS	5
	5/16 SAE Washer	5
	Thread Lock	1
860643	U-bolt Hardware Kit	1
	5/16-18 U-bolt	1
	5/16-18 Nut	2
	5/16-18 Nylock Nut	2
	5/16 USS Washer	4
88622	Instruction	1



Illus. 1

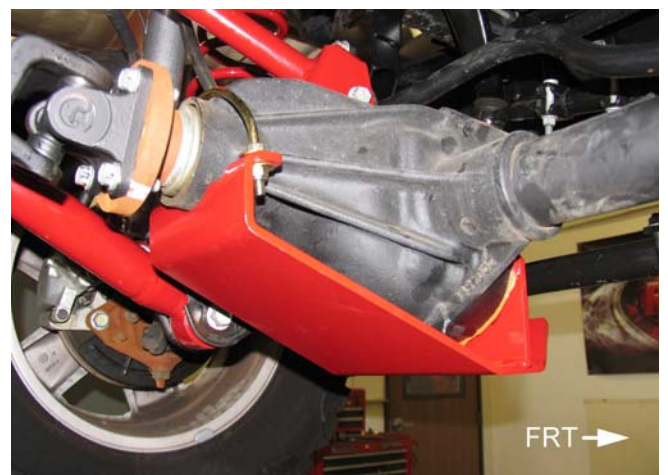
NOTE: This glide plate will only fit Jeep Wranglers equipped with the Dana 30 front differential.

- 1) Remove five bolts from the bottom of the front differential. See illustration 1. Do not remove cover.
- 2) Apply thread lock and attach glide plate 176571 to the differential cover with the supplied hardware. Tighten bolts to 30 ft. lbs. See illustration 2.
- 3) Install nuts and washers on u-bolt. Place U-bolt over the back of the differential and through the glide plate. See illustration 3.
- 4) Attach u-bolt to glide plate with the supplied hardware. Tighten nuts to 20 ft. lbs.

NOTE: Inspect cover for fluid leaks periodically. If a leak is detected, remove and reseal cover per manufacturer's recommendations.



Illus. 2



Illus. 3