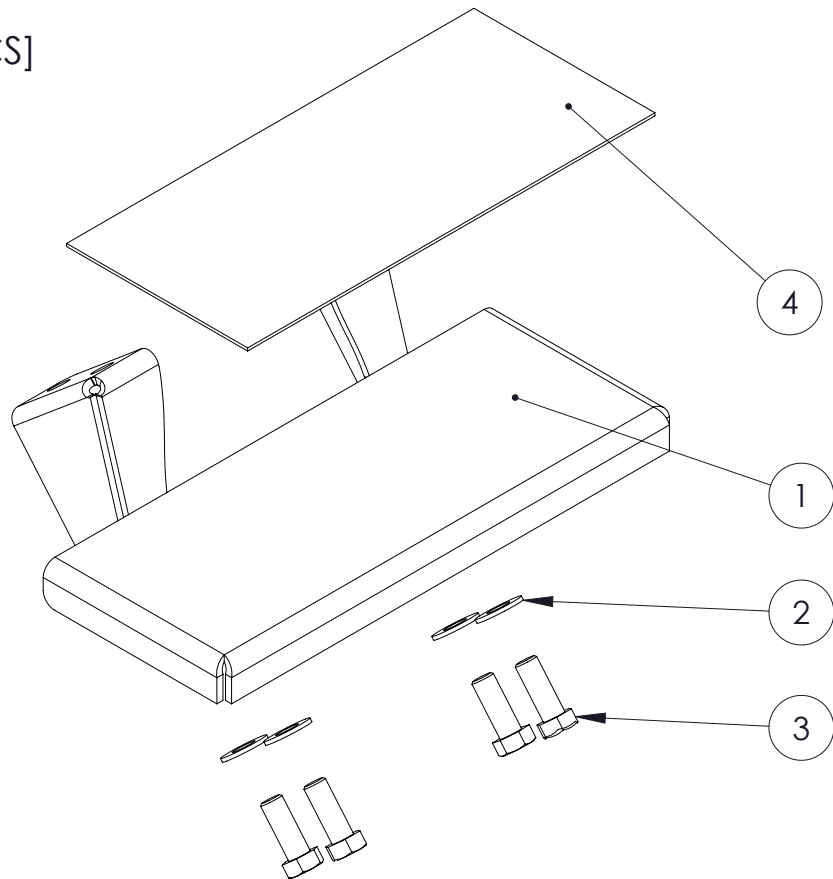


1. STEP
2. FLAT WASHER [4 PCS]
3. 3/8"x1" HEX BOLT [4PCS]
4. ANTISKID TAPE



## INSTALLATION

1. Install Anti Skid Tape onto Step
2. Install the top 2 fasteners first, followed by the bottom 2. this is required due to tight wrenching clearances.
3. Removal is the opposite of installation.

## PLEASE READ BEFORE STARTING INSTALATION

**While MBRP Inc. has made every effort to ensure that all components of this kit are of superior quality and properly packaged, it is the installer's responsibility to ensure the following**

- that ALL components shown above are present.
- that ALL mating components fit together.
- that there are no damaged components.
- that the kit you have purchased is appropriate for your vehicle year, model and configuration.
- that the kit will not interfere with any modifications previously installed or planned.
- that you have read and understand these instructions.

If you have any questions or are uncertain about any aspect of the installation of this kit to your vehicle please contact your dealer before commencing installation.