



WINCH USER GUIDE

WARN® 4700 Utility Winch

Part Number: 94700, 94710



English	1
Spanish	15
French	29
German.....	43
Italian	57
Dutch	71
Finnish	85
Swedish	99
Portuguese	113



Your safety, and the safety of others, is very important. To help you make informed decisions about safety, we have provided installation and operating instructions and other information on labels and in this guide. This information alerts you to potential hazards that could hurt you or others. It is not possible to warn you about all potential hazards associated with this product, you must use your own good judgment.

CARELESS WINCH INSTALLATION AND OPERATION CAN RESULT IN SERIOUS INJURY OR EQUIPMENT DAMAGE. READ AND UNDERSTAND ALL SAFETY PRECAUTIONS AND OPERATING INSTRUCTIONS BEFORE INSTALLING AND OPERATING THIS PRODUCT.

This guide identifies potential hazards and has important safety messages that help you and others avoid personal injury or death. **WARNING** and **CAUTION** are signal words that identify the level of hazard. These signal words mean:

 **WARNING** signals a hazard that *could* cause serious injury or death, if you do not follow recommendations.

 **CAUTION** signals a hazard that *may* cause minor to moderate injury, if you do not follow recommendations.

This guide uses **NOTICE** to call attention to important mechanical information, and **Note**: to emphasize general information worthy of special attention

Product Description: WARN® 4700 Utility Winch

The WARN® 4700 Utility Winch is a powerful pulling tool. Powered by a 12 volt DC power source this compact winch has a pulling capacity of 4700 pound / 2130 kilos.

The unit has a 12' remote control for power in and power out operation, 60' of 1/4" wire rope and clasp hook. A freespooling clutch is a standard option.

Introduction

Thank you for choosing WARN® for your utility winch needs. All WARN® products have been designed and manufactured for many years of problem-free operation. For future reference please record the following information:

Model/Part Number: _____ **Date of Purchase:** _____

Before you begin

- Read the instructions completely to familiarize yourself with the installation process.
- Review all the notices, cautions and warnings to make sure the kit will be installed correctly and safely.



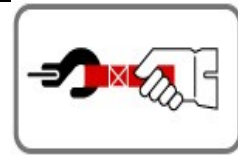
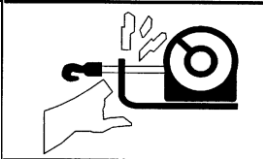
Safety Precautions

The following are general safety precautions that every winch operator should know. Taking precedence over any specific rule listed here, however, is the most important rule of all—**USE COMMON SENSE**.

A few minutes spent reading these rules can make an operator aware of dangerous practices to avoid and precautions to take for his own safety and the safety of others. Frequent examinations and periodic inspections of the equipment as well as conscientious observance of safety rules may save lives as well as time and money.



WARNING



MOVING PARTS ENTANGLEMENT HAZARD

Failure to observe these instructions could lead to severe injury or death.

To avoid injury to hands or fingers.

- **Always** keep hands clear of wire rope, hook loop, hook and fairlead opening during installation, operation and when spooling in or out.
- **Always** use extreme caution when handling hook and wire rope during spooling operations.
- **Always** use supplied hook strap whenever spooling wire rope in or out, during installation or operation to avoid injury to hands or fingers.



WARNING



FALLING OR CRUSHING HAZARD

Failure to observe these instructions could lead to severe injury or death.

- **Never** use as an overhead hoist, or to suspend a load.
- **Never** use to lift or move persons.

CAUTION

MOVING PARTS ENTANGLEMENT HAZARD

Failure to observe these instructions could lead to minor to moderate injury.

General Safety:

- **Always** Know Your Winch: Take time to fully read and understand the included Installation and Operations guide, and Basic Guide to Winching Techniques, in order to understand your winch and the winching operation.
- **Never** operate this winch if you are under 16 years of age.
- **Never** operate this winch when under the influence of drugs, alcohol or medication.
- **Never** exceed winch or wire rope rated capacity. Double line using a snatch block to reduce winch load.

Installation Safety:

- **Always** choose a mounting location that is sufficiently strong to withstand the maximum pulling capacity of your winch.
- **Always** use factory approved switches, remote controls, accessories and installation components.
- **Always** use grade 5 or better hardware, never weld bolts and never use longer bolts than those supplied from factory.
- **Always** complete winch mounting and attachment of hook to hook loop before wiring winch during installation.
- **Always** position fairlead with WARNING label on top.
- **Always** spool the wire rope onto the drum as indicated by the drum rotation label on the winch. Required for automatic brake to work (if winch is so equipped) and for correct installation orientation.
- **Always** prestretch wire rope and respool under load before use. Tightly wound wire rope reduces chances of "binding", which is wire rope working it's way down into a loosely wound wire rope layer, and catching or damaging itself.

Winching Safety:

- **Always** inspect winch installation and wire rope and hook condition before operating winch. Frayed, kinked or damaged wire rope must be replaced immediately. Loose or damaged winch installation must be corrected immediately.
- **Never** hook wire rope back onto itself. This damages the wire rope. Always use a choker chain, wire choker rope or tree trunk protector on the anchor.
- **Always** prior to winching, remove any element that may interfere with safe winch operation.
- **Always** take your time when rigging for a winch pull.
- **Always** be certain the anchor you select will withstand the load, and the strap or chain will not slip.
- **Never** engage or disengage clutch if winch is under load, wire rope is in tension or wire rope drum is moving.
- **Always** unspool as much wire rope as possible when rigging. Double line or pick distant anchor point.
- **Never** winch with less than 5 wraps of wire rope around the drum, the wire rope could come loose from the drum.
- **Always** stand clear of wire rope and load during operation.
- **Never** touch wire rope or hook while in tension or under load.
- **Never** touch wire rope or hook while someone else is at the control switch or during winching operation.
- **Never** touch wire rope or hook while remote control is plugged into winch.
- **Always** stand clear of wire rope and load and keep others away while winching.
- **Always** require operator and bystanders to be aware of stability during winching of vehicle and/or load.
- **Always** keep remote control lead clear of the drum, wire rope and rigging. Inspect for cracks, pinches, frayed wires or loose connections. Replace if damaged.

Safety Precautions - continued

CAUTION



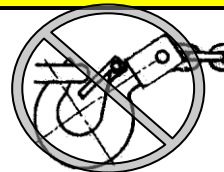
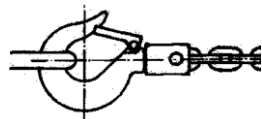
CUT AND BURN HAZARD

Failure to observe these instructions could lead to minor to moderate injury.

To avoid injury to hands and fingers:

- **Always** wear heavy leather gloves when handling a wire rope.
- **Never** let wire rope slip through your hands.
- **Always** be aware of possible hot surface at winch motor, drum or wire rope during or after winch use.

CAUTION



Moving Parts Entanglement Hazard

Failure to observe these instructions could lead to minor to moderate injury.

- **Never** apply load to hook tip or latch. Apply load only to the center of hook.
- **Never** use a hook whose throat opening has increased, or whose tip is bent or twisted.

NOTICE

AVOID WINCH AND EQUIPMENT DAMAGE

- **Always** avoid continuous side pulls, which can pile up wire rope at one end of the drum. This can damage your wire rope or winch.
- **Always** ensure the clutch is fully engaged or Disengaged.
- **Never** use winch to tow other vehicles. Shock loads can momentarily exceed capacity of wire rope & winch
- **Always** use care to not damage your frame when anchoring your vehicle during a winching operation.
- **Never** "jog" wire rope under load. Shock loads can momentarily exceed capacity of wire rope and winch.
- **Never** use winch to secure a load during transport.
- **Never** submerge winch in water.
- **Always** store the winch in a protected, clean, dry area.

Partnumber & Cord ends for the WARN® 4700

PART NUMBERS

94700	12v DC 4700# Utility Winch - US
94710	12v DC 4700# Utility Winch - International



Parts List

The WARN® 4700 Utility Winch consists of the following main components.



1. WARN 4700 Winch Unit	2. Remote with 12'(3.7 m) Lead
3. Fairlead	4. 2 – 6' (1.8 m) x 6 gauge cable
5. Latch Hook and Hook Strap	6. Mounting Hardware

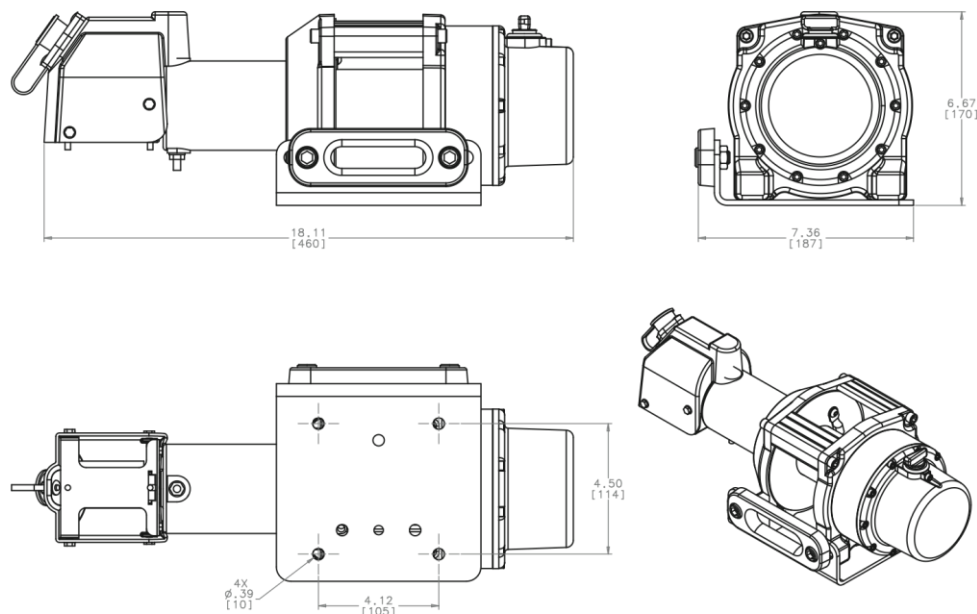
Specification Data for the WARN® 4700

FEATURES			
Pulling Capacity	4700lbs. (2130 kg)	Brake	Dynamic and mechanical braking
Switch Type	Remote with 12' (3.7 m) Lead	Warranty	1 year limited
Motor	Permanent Magnet	Wire Rope	1/4" (6.35 mm) X 60' (18.3 m)
HP	1.9 HP 3.0" Diameter	Drum Diameter	2.5" (6.35 cm)
Power	12 volt DC	Fairlead	Hawse
Gear Train	3-Stage planetary	Hole Pattern	4 holes
Gear Ratio	216:1	Electrical Leads	2 – 6' (1.8 m) x 6 gauge cable
Clutch	Lever- Multi-directional	Weight	42 lbs. (19.1 kg.)

Performance Data for the WARN® 4700

PERFORMANCE DATA: 4700							
Load		Current	Speed		Pulling Power by Wire Rope Layer		
Lbs.	Kg	Amps	Ft/min	M/min	Layer	lbs.	kg
0	0	47	17.9	5.5	1	4700	2130
1000	453.6	82	12.8	3.9	2	3980	1800
2000	907.2	150	10.8	3.3	3	3450	1560
3000	1360.8	212	8.1	2.5	4	3041	1380
4000	1814.4	277	5.8	1.8	5	2720	1230
4700	2132	322	4.3	1.3			

Dimensional Data for the WARN® 4700



Winch Installation to fixed location

! CAUTION

Winch Failure Hazard

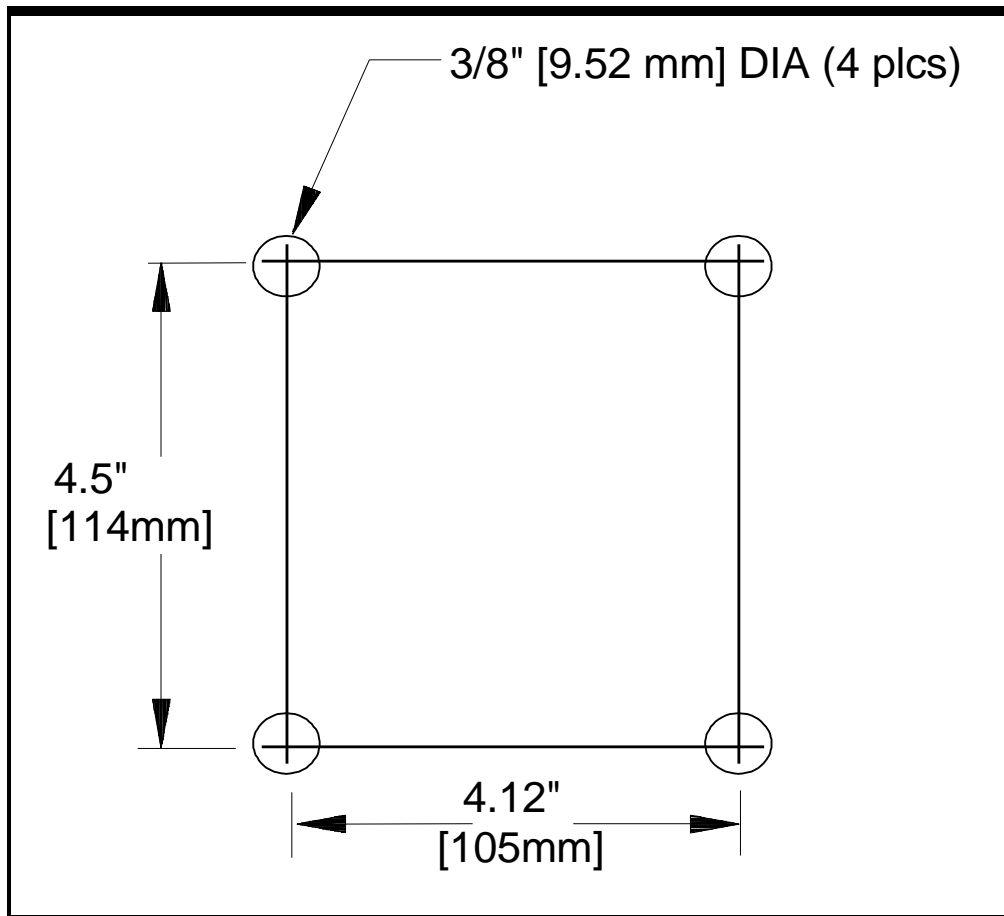
Failure to observe these instructions could lead to minor or moderate injury.

- Always choose a mounting location that is sufficiently strong to withstand the loads you intend to winch**

The 4700 can be mounted to a fixed location by utilizing the mounting hole pattern for the winch unit. First, choose a mounting location that is sufficiently strong enough to withstand the loads you intend to winch.

Next, drill four holes to the dimensions specified in the drawing below.

Mounting Plate Hole Pattern



Winch Installation to a fixed location- continued

To secure the winch, always use:

- A flat, secure mounting location at least 3/16 in. (4.8 mm) thick steel.
- 3/8 in. lockwasher x 4.
- 3/8-16 x 1in. long, hex head capscrew, Grade 5 or better x 4.
- Torque mounting bolts to 30-35 ft-lbs (41-47 Nm).

Bolt length may need to be longer than specified above depending upon the thickness of the material the winch is mounted to.

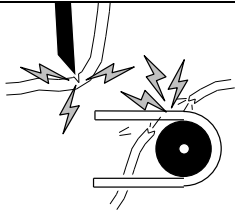
Wiring Instructions



WARNING

Shock & Fire Hazard

Failure to observe these instructions could lead to severe injury or death.



- Never route electrical cables across sharp edges
- Never route electrical cables through or near moving parts.
- Always read and follow all wiring instructions included in operators guide.
- Always insulate and protect all exposed wiring and electrical terminals

- Install battery cables with red lead connected to the positive terminal of battery, and black lead to the negative terminal of battery.
- Verify that all wiring connections are clean and tight.

Before using the winch, verify the following:

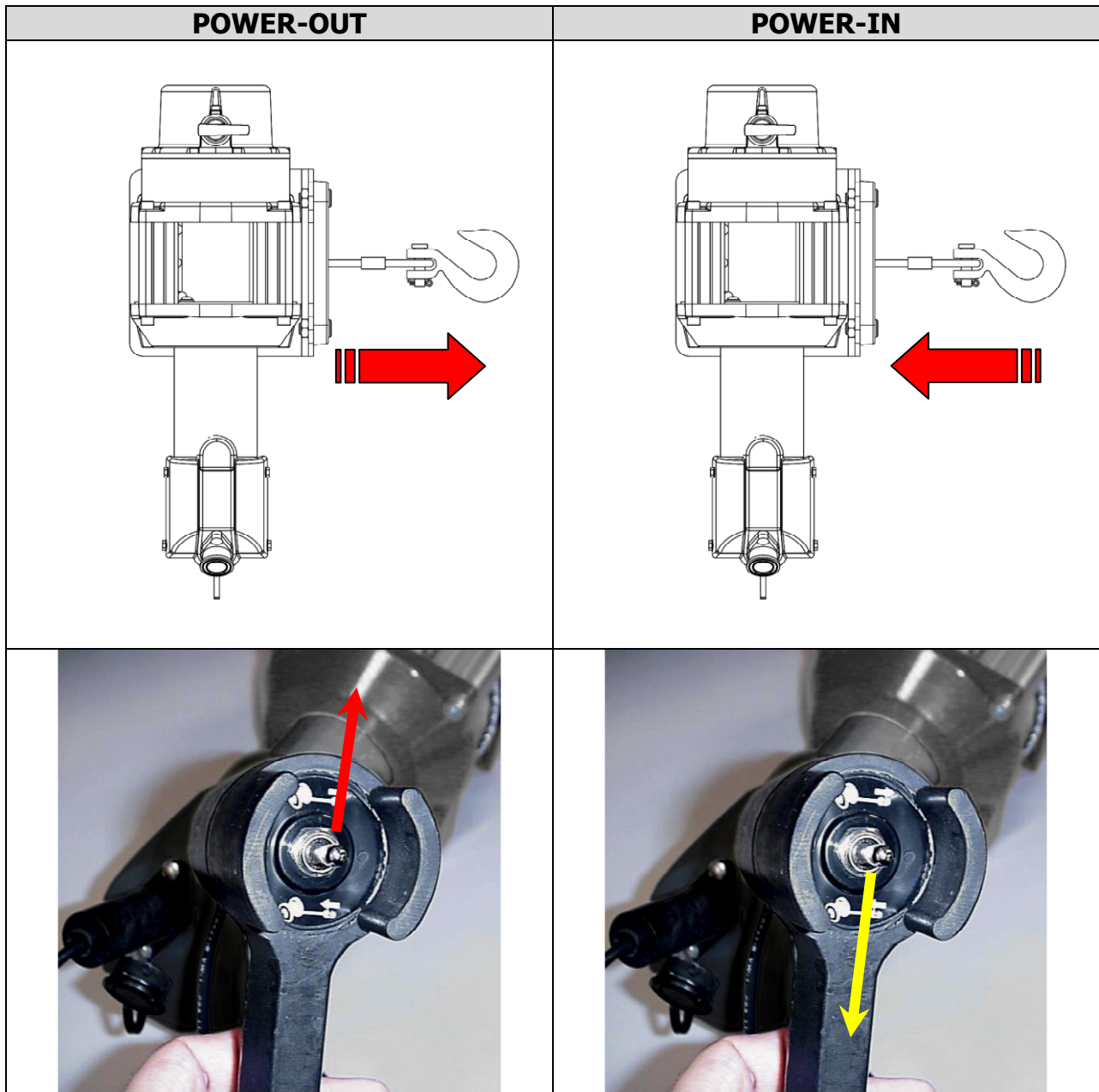
- Wiring to all components is correct.
- There are no exposed wiring or terminals, cover any existing exposures with insulator plate, terminal boots, heat shrink tubing or electrician's tape.

Operating Instructions

USING THE REMOTE CONTROL

The remote pendant control is hard wired to the winch and can be operated in the remote position away from the winch unit or with the pendant docked in the carrier plate.

Press the black power-out button to spool wire rope off of the drum, or press the white power-in button to spool wire rope onto the drum.



Operating Instructions - continued

CLUTCH OPERATION



WARNING

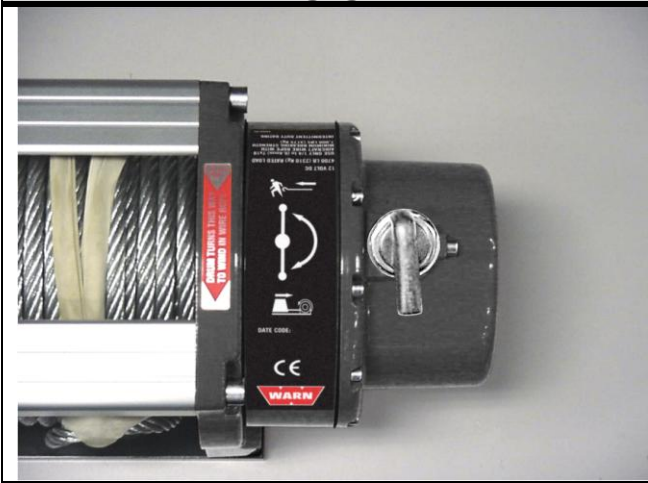
Winch Function Hazard

Failure to observe these instructions could lead to injury or property damage

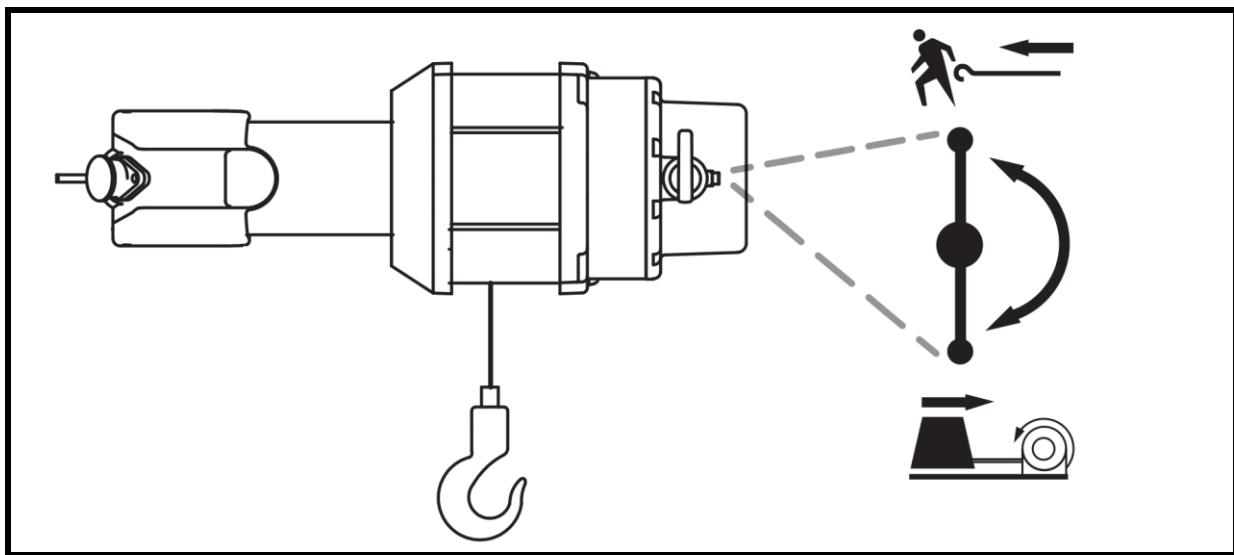
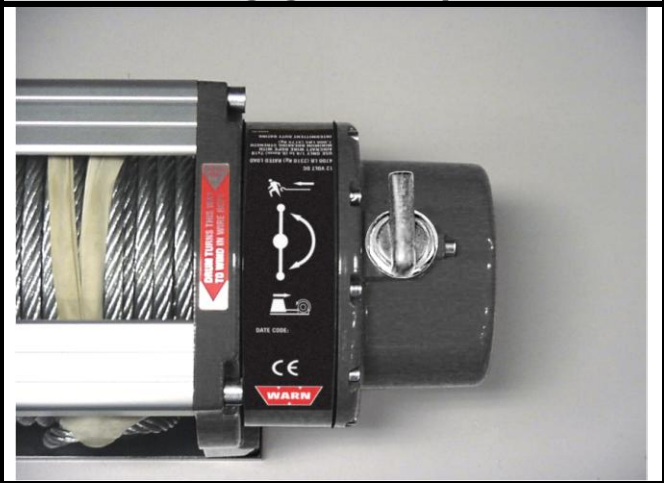
- ❑ **Never engage or disengage the clutch if the winch is underload or wire rope is under tension.**

When the clutch is engaged the gear train is coupled to the wire rope drum and power may be transferred from the winch motor. When the clutch is in freespool the gear train and wire rope drum are uncoupled allowing the drum to rotate freely. The clutch lever, located on top of the motor, controls the clutch position. To prevent damage, always fully engage or fully disengage the clutch lever.

Engaged



Disengage - Freespool

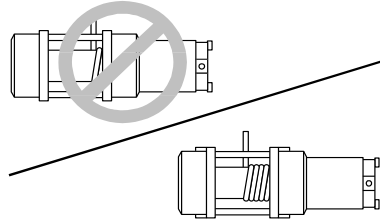


Operating Instructions - continued

SPOOLING OUT

Freespooling is generally the quickest and easiest way to spool out wire rope. Before freespooling wire rope out from the winch, power out enough rope to remove any tension the wire rope may be under before disengaging the clutch. Now freespool by manually spooling out enough wire rope for the winching operation.

CAUTION



Personal Injury Hazard

Failure to observe these instructions could lead to minor or moderate injury.

- Always wear leather gloves when handling wire rope**
- Never winch with less than 5 wraps of wire rope around the drum.**

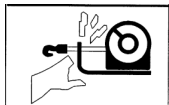
STRETCHING THE WIRE ROPE

The life of a wire rope is directly related to the care and use it receives. During its first use, a new wire rope must be spooled onto its drum under a load of at least 500 lb. (227kg). Spool out the entire wire rope length leaving 5 wraps on the drum, then power in the wire rope under a load of 500 lb. (227kg) or more. This will stretch new wire rope and create a good wire wrap around the drum. Failure to do so may result in the outer wire wraps drawing into the inner wraps, binding, and damaging the wire rope.

WARNING

Moving Parts Entanglement Hazard

Failure to observe these instructions could lead to severe injury or death.



- ALWAYS** keep hands clear of the wire rope, hook loop, hook and fairlead opening during installation, operation and when spooling in or out.
- ALWAYS** use supplied hook strap whenever spooling the wire rope in or out, during installation, or operation to avoid injury to hands or fingers.

Operating Instructions - continued

SPOOLING IN UNDER LOAD

- ❑ The wire rope must always spool onto the bottom of the drum as indicated by decal on the winch.
- ❑ Power in the wire rope evenly and tightly on the drum. This prevents the outer wire wraps from drawing into the inner wraps, binding and damaging the wire rope.
- ❑ Avoid shock loads when spooling, by using the control switch intermittently to take up wire rope slack. Shock loads can momentarily far exceed the winch and wire rope ratings.

SPOOLING IN UNDER NO LOAD

- ❑ **Assisted:** Have your assistant hold the hook with the hook strap putting as much constant tension on the wire rope as possible. While keeping tension, the assistant should walk toward the winch while you operate the control switch spooling in the wire rope. Release the switch when the hook is a minimum of 4 ft (1.2m) from the fairlead opening. Spool in the remainder for storage.
- ❑ **Unassisted:** Arrange the wire rope to be spooled so it will not kink or tangle when spooled. Be sure any wire rope on the drum is tightly and evenly layered. Spool enough wire rope to complete the next full layer on the drum. Tighten and straighten the layer. Repeat process until the hook is a minimum of 4ft (1.2m) from the fairlead. Spool in the remainder for storage.

SPOOLING REMAINDER FOR STORAGE

Keep hands clear of the wire rope, hook and fairlead opening. Always use the hook strap to hold hook when spooling under no load. Carefully power in the remaining wire rope, jogging the control switch to take up the last of the slack. Secure the hook to a suitable anchor point near the winch. Be careful not to overtighten or damage may occur to the wire rope or anchor point.

RIGGING

- ❑ Always spool out as much wire rope as possible when preparing rigging. Pick an anchor as far away as is practical; this provides the winch with its greatest pulling power.
- ❑ Rigging a double line with a snatch block will reduce the load on the winch to half without significant loss of spooling speed.
- ❑ Natural anchors such as trees, stumps and rocks are the handiest when available. Attach the choker chain, wire choker rope or tree trunk protector on the anchor as low as possible to avoid pulling the anchor down. If several possible anchors are available but they are not strong enough individually, it may be practical to attach a wire or chain choker around several anchors to form a strong collective anchor point.



Operating Instructions - continued

OVERLOADING/OVERHEATING

This winch is rated for intermittent duty. It should not be operated with the motor slowed down to a low RPM. When the motor approaches stall speed, a very rapid heat build-up occurs which may cause motor damage. Double line rigging will reduce the amperage draw from the motor allowing longer continual use (see rigging section).

Maintenance & Warranty

MAINTENANCE

- No lubrication is required for the life of the winch.
- Inspect the wire rope before and after each winching operation. Replace when damaged.

WARRANTY

see separate sheet packed with winch

-or-

If warranty sheet is lost or misplaced contact:

**Warn Industries, Inc.
Customer Service Dept.
12900 SE Capps Rd
Clackamas, OR 97015-8903.**

United States:

Phone: 503.722.1200 or (800) 543-9276 (US only)

Fax: 503.722-3000

International:

Phone: 503.722.3008

Fax: 503.722.3005

© 2010 Copyright Warn Industries, Inc. All rights reserved.





GUÍA DEL CABRESTANTE PARA EL USUARIO

Cabrestante de uso general WARN® 4700

Nº DE REFERENCIA: 94700, 94710




Su seguridad y la seguridad de los demás es muy importante. Para ayudarle a tomar decisiones informadas sobre seguridad, se proporcionan instrucciones de instalación y operación, y otra información en etiquetas. Esta información le alerta sobre posibles peligros que puedan afectarle a usted y a otros. No es posible advertirle sobre todos los posibles peligros que puedan estar relacionados con el uso de este producto, por lo que deberá utilizarlo usando el sentido común.

LA INSTALACIÓN Y OPERACIÓN INCORRECTAS DEL CABRESTANTE PUEDEN RESULTAR EN LESIONES GRAVES O DAÑOS AL EQUIPO. LEA TODAS LAS PRECAUCIONES DE SEGURIDAD E INSTRUCCIONES DE OPERACIÓN ANTES DE INSTALAR Y PONER EN FUNCIONAMIENTO ESTE PRODUCTO.

Esta guía identifica posibles peligros y brinda importantes mensajes de seguridad que le ayudarán a usted y a otros a evitar daños personales o la muerte. Las palabras **ADVERTENCIA** y **PRECAUCIÓN** indican el grado de peligro. He aquí su significado:

 **ADVERTENCIA** indica un peligro que *puede* ocasionar daños personales de gravedad o la muerte si no se siguen las recomendaciones.

 **PRECAUCIÓN** indica un peligro que *puede* ocasionar daños personales leves o moderados si no se siguen las recomendaciones.

Esta guía emplea la palabra **AVISO** para llamar la atención sobre importante información de carácter mecánico, y la palabra **Nota**: para poner énfasis sobre información general digna de especial atención.

Descripción del producto: Cabrestante de uso general WARN® 4700

El cabrestante de uso general 4700 de WARN es una poderosa herramienta de arrastre. Accionado por una fuente de energía de 12 voltios de CC, este compacto cabrestante tiene una capacidad de tiro de 2130 kilos (4700 libras).

La unidad cuenta con un interruptor de control remoto para operaciones de enrollado y desenrollado, 18,3 m (60 pies) de cable de 6,35 mm (1/4 pulg.) de diámetro y un gancho con seguro. El embrague para enrollado manual es una opción estándar.

Introducción

Gracias por su adquisición del modelo de WARN para sus necesidades generales de arrastre e izado. Todos los productos de WARN se han diseñado y manufacturado para una operación sin problemas durante muchos años. Para referencia futura, guarde la siguiente información en un lugar seguro:

Modelo/Nº de referencia: _____ **Fecha de compra:** _____

Antes de comenzar

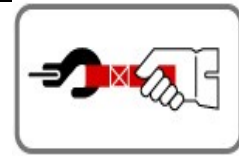
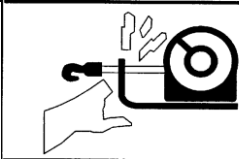
- Lea las instrucciones en su totalidad para familiarizarse con el proceso de instalación.
- Revise todos los avisos, precauciones y advertencias para asegurarse de que el conjunto se instala correcta y seguramente.

Precauciones de seguridad

A continuación se indican algunas precauciones generales de seguridad que toda persona que vaya a usar el cabrestante debe conocer. La norma más importante, por encima de todas las demás: **USE EL SENTIDO COMÚN.**

Unos pocos minutos empleados en leer estas normas pueden hacer que el operario tome conciencia de acciones peligrosas que deben evitarse y de las precauciones a tomar para su propia seguridad y la seguridad de los demás. Las revisiones frecuentes y las inspecciones periódicas del equipo, así como un seguimiento consciente de las reglas de seguridad pueden salvar vidas, y también ahorrar tiempo y dinero.

ADVERTENCIA



PELIGRO DE ENREDO EN LAS PIEZAS MÓVILES

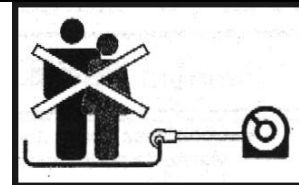
De no seguirse estas instrucciones podrían producirse lesiones graves o la muerte.

Para evitar daños en las manos.

--Mantenga siempre las manos alejadas del cable, del bucle del gancho, del gancho y de la abertura de la guía durante la instalación, la operación, y en el enrollado y desenrollado.

- Use **siempre** precaución extrema en el manejo del gancho y el cable durante las operaciones de enrollado y desenrollado.
- Use **siempre** la correa del gancho suministrada cuando vaya a enrollar o desenrollar el cable durante la instalación o la operación para evitar lesiones en las manos.

ADVERTENCIA



PELIGRO DE CAÍDA O APLASTAMIENTO

De no seguirse estas instrucciones podrían producirse lesiones graves o la muerte.

- No utilice nunca el cabrestante como grúa vertical, ni para suspender una carga.
- No utilice nunca el cabrestante para levantar o desplazar personas.

PRECAUCIÓN

PELIGRO DE ENREDO EN LAS PIEZAS MÓVILES

De no seguirse estas instrucciones podrían producirse lesiones menores o de poca gravedad.

Seguridad general:

- Sea **siempre** consciente del funcionamiento del cabrestante: Tómese su tiempo para leer y comprender completamente la guía de Instalación y operaciones, y la Guía básica de técnicas del cabrestante, que vienen con el mismo, para poder comprender el funcionamiento del cabrestante.
- No haga funcionar **nunca** este cabrestante si usted es menor de 16 años de edad.
- No haga funcionar **nunca** el cabrestante si se encuentra bajo la influencia de drogas, alcohol o medicamentos.
- No exceda **nunca** la capacidad nominal del cabrestante ni del cable de tiro. Emplee un cable doble utilizando una polea pasteca para reducir la carga del cabrestante.

Seguridad para la instalación:

- Elija siempre una ubicación de montaje que sea lo suficientemente sólida para soportar la capacidad de carga máxima del cabrestante.
- Utilice **siempre** interruptores, controles remotos, accesorios y componentes de instalación que estén aprobados de fábrica.
- Utilice **siempre** tornillería de grado 5 o superior, pernos que nunca hayan sido soldados y no utilice nunca pernos que sean más largos que los suministrados por la fábrica.
- Complete **siempre** el montaje y acoplamiento del gancho del cabrestante al bucle del gancho antes de cablear el cabrestante durante la instalación.
- Ponga **siempre** la guía del cable con la etiqueta de ADVERTENCIA en su parte superior.
- Enrolle y desenrolle el cable en el tambor **siempre** según lo indicado por la etiqueta de rotación del tambor del cabrestante. Es necesario para que funcione el freno automático (si viene con el cabrestante) y para una orientación correcta de la instalación.
- Realice **siempre** un estiramiento previo del cable y vuelva a enrollarlo con carga antes de usarlo. Un cable bien enrollado reduce el riesgo de "agarrotamiento", que consiste en el cable enrollándose en una capa de cable que está enrollada flojamente, y enganándose o dañándose a sí mismo.

Seguridad en el enrollado y desenrollado:

- Revise **siempre** la instalación del cabrestante y el estado del cable antes de su uso. Si el cable está deshilachado, retorcido o dañado, deberá reemplazarse de inmediato. Cualquier pieza instalada que esté suelta o dañada deberá corregirse de inmediato.
- No enganche **nunca** el cable sobre sí mismo. Esto deterioraría el cable. Utilice una cadena o un cable de estrangulación, o un protector de tronco de árbol en el anclaje.
- Antes del enrollado, no olvide **nunca** retirar cualquier elemento que pueda interferir con una operación del cabrestante segura.
- Tómese su tiempo **siempre** cuando utilice un cabrestante.
- Verifique **siempre** que el anclaje seleccionado soportará la carga y que la correa o la cadena no se deslizará.
- **Nunca** embrague ni desembrague si el cabrestante está soportando una carga, si el cable está en tensión o si el tambor del cable está en movimiento.
- **Siempre** desenrolle tanto cable como sea posible al prepararse para el maniobrado. Emplee un cable doble o elija un punto de anclaje distante.
- No accione **nunca** el cabrestante si no hay al menos 5 vueltas de cable alrededor del tambor. El cable podría soltarse del tambor ya que el dispositivo de sujeción del cable al tambor no es apto para soportar una carga.
- Manténgase **siempre** alejado del cable y de la carga durante el accionamiento del cabrestante.
- No toque **nunca** el cable ni el gancho mientras éstos estén en tensión o con carga.
- No toque **nunca** el cable ni el gancho si hay alguien cerca del interruptor de control, o si el cabrestante está en funcionamiento.
- No toque **nunca** el cable ni el gancho si el control remoto está enchufado al cabrestante.
- Manténgase **siempre** alejado del cable y de la carga, y no deje que otros se acerquen mientras el cabrestante esté en funcionamiento.
- Haga que el operario y otras personas presentes sean conscientes de la estabilidad durante la operación del cabrestante en el manejo del vehículo o la carga.
- Mantenga **siempre** el cable del control remoto alejado del tambor, del cable y del maniobrado. Inspeccione la posible existencia de grietas, pellizcos, cables deshilachados o conexiones sueltas. Reemplácelo si está dañado.

Precauciones de seguridad - Continuación

! PRECAUCIÓN



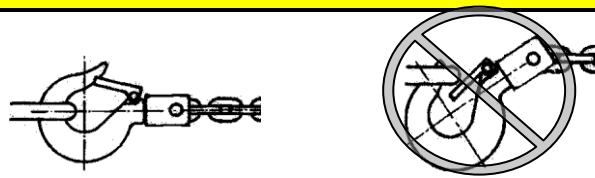
PELIGRO DE CORTES Y QUEMADURAS

De no seguirse estas instrucciones podrían producirse lesiones menores o de poca gravedad.

Para evitar daños en las manos:

- Lleve puestos **siempre** guantes gruesos de cuero para manejar el cable.
- **Nunca** deje que el cable se deslice por sus manos.
- Tenga **siempre** en cuenta que las superficies del motor, del tambor o del cable del cabrestante pueden estar calientes durante o después del uso del mismo.

! PRECAUCIÓN



Peligro de enredo en las piezas móviles

De no seguirse estas instrucciones podrían producirse lesiones menores o de poca gravedad.

- No aplique nunca la carga a la punta del gancho o al seguro del mismo. Aplique la carga únicamente en el centro del gancho.
- No utilice nunca un gancho cuya abertura haya aumentado, o cuya punta esté doblada o retorcida

AVISO

EVITE DAÑOS AL EQUIPO Y AL CABRESTANTE

- Evite **siempre** los tirones laterales continuos ya que pueden apilar el cable en un extremo del tambor. Esto puede dañar el cable o el cabrestante.
- Compruebe **siempre** que se ha embragado o desembragado completamente.
- No utilice **nunca** el cabrestante para remolcar otros vehículos. Las cargas repentinas pueden exceder momentáneamente la capacidad del cable y el cabrestante.
- Sea precavido **siempre** para no dañar la estructura cuando vaya a anclar su vehículo en una operación con el cabrestante.
- No desplace **nunca** el cable en pequeñas sacudidas cuando esté con carga. Las cargas repentinas pueden exceder momentáneamente la capacidad del cable y el cabrestante.
- **Nunca** utilice el cabrestante para amarrar una carga durante el transporte.
- No sumerja **nunca** el cabrestante en agua.
- Guarde **siempre** el cabrestante en un área protegida, limpia y seca.

Número de referencia y terminales del cable para el modelo WARN 4700

NÚMEROS DE REFERENCIA	
94700	Cabrestante de uso general 4700 12 V CC
94710	Cabrestante de uso general 4700 12 V CC - Internacional

Lista de piezas

El cabrestante de uso general 4700 de WARN consta de los siguientes componentes principales.



1. Unidad de cabrestante WARN 4700	2 Remoto con guía de 3,7 m (12 pies)
3 Guía: Escoben	4. 2 cables de 1,8 m (6 pies) y calibre 6
5. Gancho de retención, con correa	6. Accesorios de montaje

Especificaciones para el modelo WARN 4700

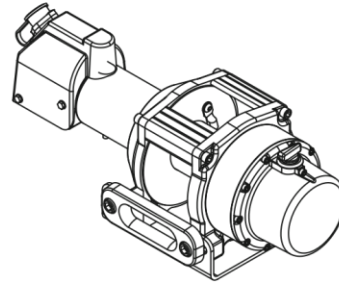
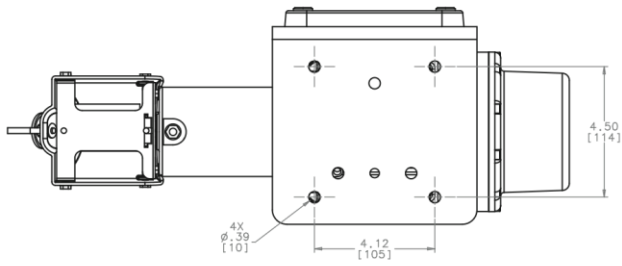
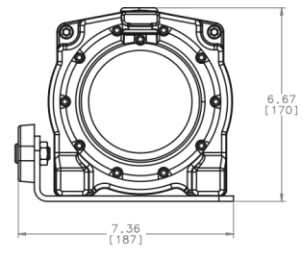
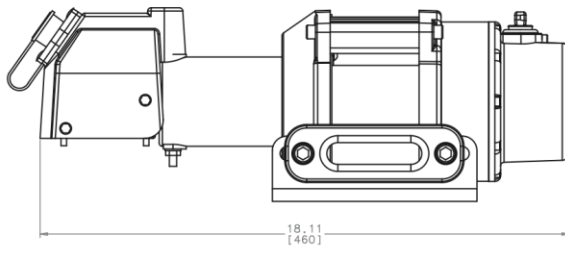
CARACTERÍSTICAS			
Capacidad de tracción	2130 kg (4700 lb)	Freno	Frenado dinámico y mecánico
Tipo de interruptor	Remoto con guía de 3,7 m (12 pies)	Garantía	Limitada de 1 año
Motor	Imán permanente	Cable	6,35 mm (1/4 pulg) X 18,3 m (60 pies)
CV	1,9 CV 7,62 cm (3 pulg) de diámetro	Diámetro del tambor	6,03 cm (2,375 pulg)
Potencia	12 voltios de CC	Guía	Escoben
Tren de engranajes	Planetario de 3 fases	Esquema de los orificios	3 orificios
Relación de transmisión	216:01	Conexiones eléctricas	2 cables de 1,8 m (6 pies) y calibre 6
Embrague	Palanca - Multidireccional	Peso	19,1 kg (42 lb)

Especificaciones técnicas para el modelo WARN 4700

ESPECIFICACIONES TÉCNICAS: 4700

Carga		Corriente Velocidad			Potencia de tiro por capa de cable		
libras	Kg	Amperios	pies/min	m/min	Capa	libras.	kg
0	0	47	17.9	5.5	1	4700	2130
1000	453.6	82	12.8	3.9	2	3980	1800
2000	907.2	150	10.8	3.3	3	3450	1560
3000	1360.8	212	8.1	2.5	4	3041	1380
4000	1814.4	277	5.8	1.8	5	2720	1230
4700	2132	322	4.3	1.3			

Dimensiones del modelo WARN 4700



Instalación del cabrestante en una ubicación fija

! PRECAUCIÓN

Peligro del fallo del cabrestante

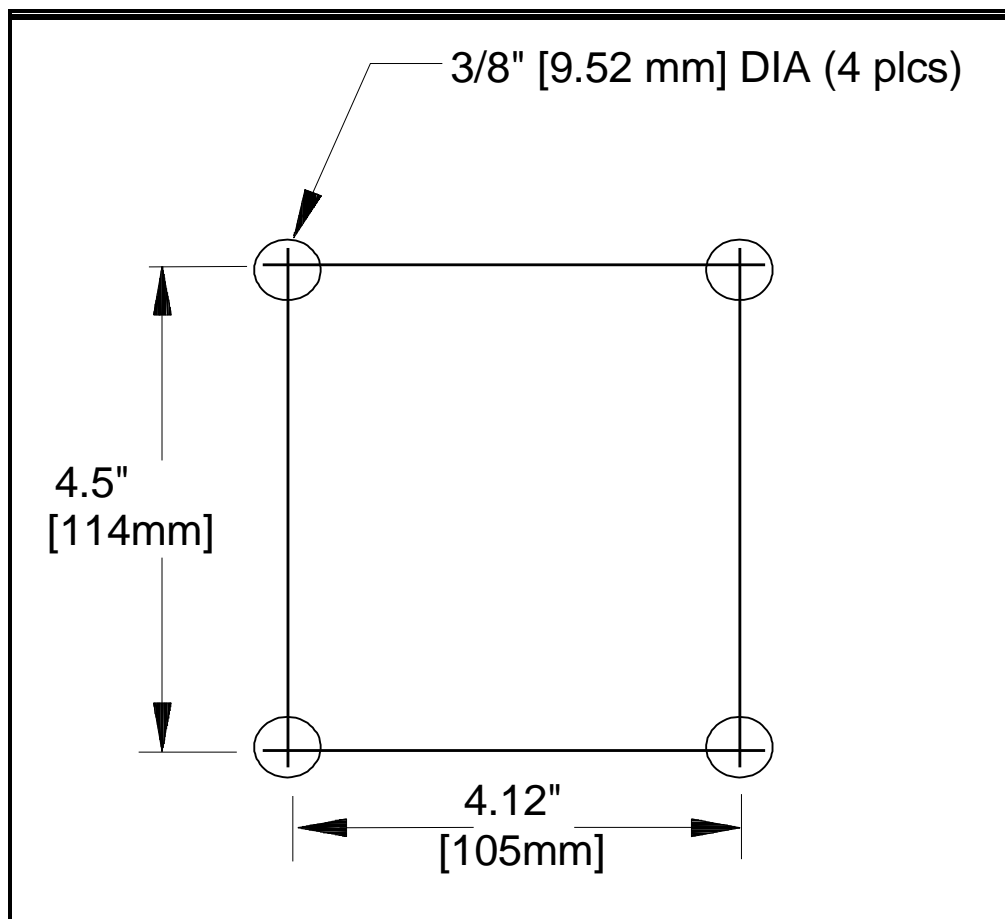
De no seguirse estas instrucciones podrían producirse lesiones menores o de poca gravedad.

- Elija un lugar de montaje que sea lo suficientemente resistente para soportar las cargas que desee elevar con el cabrestante.**

El modelo 4700 puede montarse en una ubicación fija usando el patrón de agujeros de montaje para la unidad del cabrestante. Elija un lugar de montaje que sea lo suficientemente resistente como para soportar las cargas que desee desplazar.

A continuación, haga 4 taladros según las dimensiones especificadas en la ilustración siguiente.

Esquema de los orificios de la placa para el montaje



Instalación del cabrestante en una ubicación fija - Continuación

Para asegurar el cabrestante utilice siempre:

- Un lugar plano y seguro para el montaje de por lo menos 4,8 mm (3/16 pulg) de grosor.
- Una arandela de bloqueo de 1/4 pulg. x 4.
- Un tornillo de cabeza hexagonal de 3/8-16 x 1 pulg. de largo, de grado 5 ó mejor x 4.
- Apriete los pernos de montaje con un par de torsión de 41-47 Nm (30-35 pies-lbs).

Es posible que la longitud del perno deba ser más larga que la especificada anteriormente, dependiendo del grosor del material en el que esté montado el cabrestante.

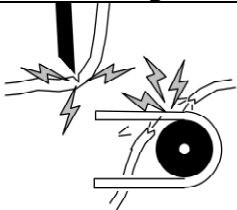
Instrucciones de cableado



ADVERTENCIA

Peligro de electrocución

De no seguirse estas instrucciones podrían producirse lesiones de gravedad o la muerte.



- No pase los cables eléctricos por bordes agudos.
- No pase los cables eléctricos por partes móviles o cerca de ellas.
- Lea y siga todas las instrucciones de cableado que se incluyen en el manual de operaciones.
- Ponga aislamiento y proteja los cables y terminales eléctricos que estén expuestos.

- Instale los cables de la batería, con el rojo conectado al terminal positivo de la misma y el negro al terminal negativo.
- Compruebe que las conexiones de los cables estén limpias y apretadas

Antes de utilizar el cabrestante, compruebe lo siguiente:

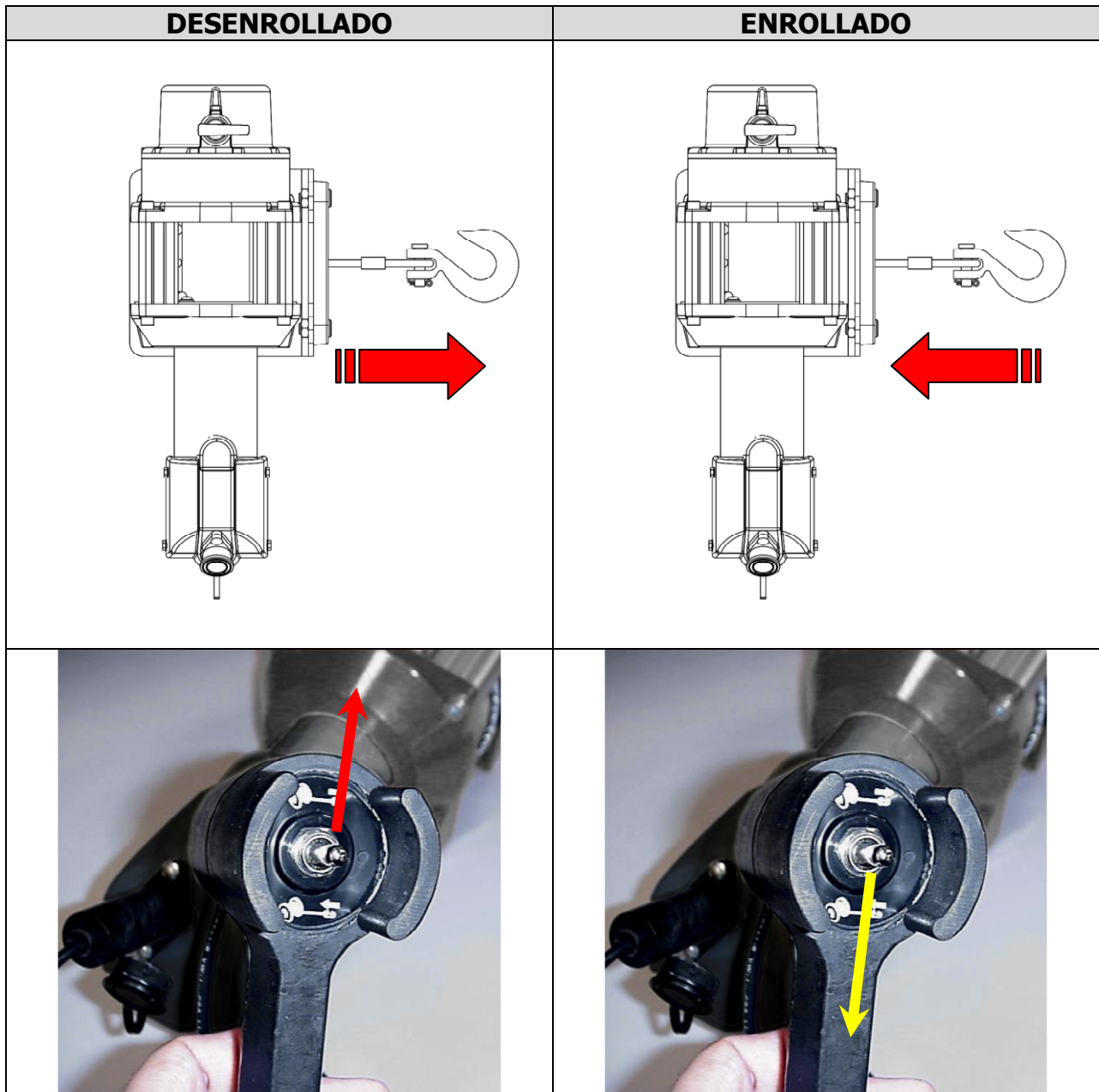
- Que el cableado de todos los componentes sea correcto.
- Que no haya cables o terminales expuestos. Cubra aquellos que estén expuestos con hoja aislante, funda de terminal, entubación por contracción al calor o cinta adhesiva de electricista.

Instrucciones de operación

CÓMO USAR EL CONTROL REMOTO COLGANTE

El control remoto colgante está conectado al cabrestante por cable y puede operarse alejado de la unidad del cabrestante o con el control acoplado a la placa transportadora.

Pulse el botón negro para desenrollar el cable del tambor, o pulse el botón blanco para enrollar el cable en el tambor.



Instrucciones de operación - Continuación

ACCIONAMIENTO DEL EMBRAGUE

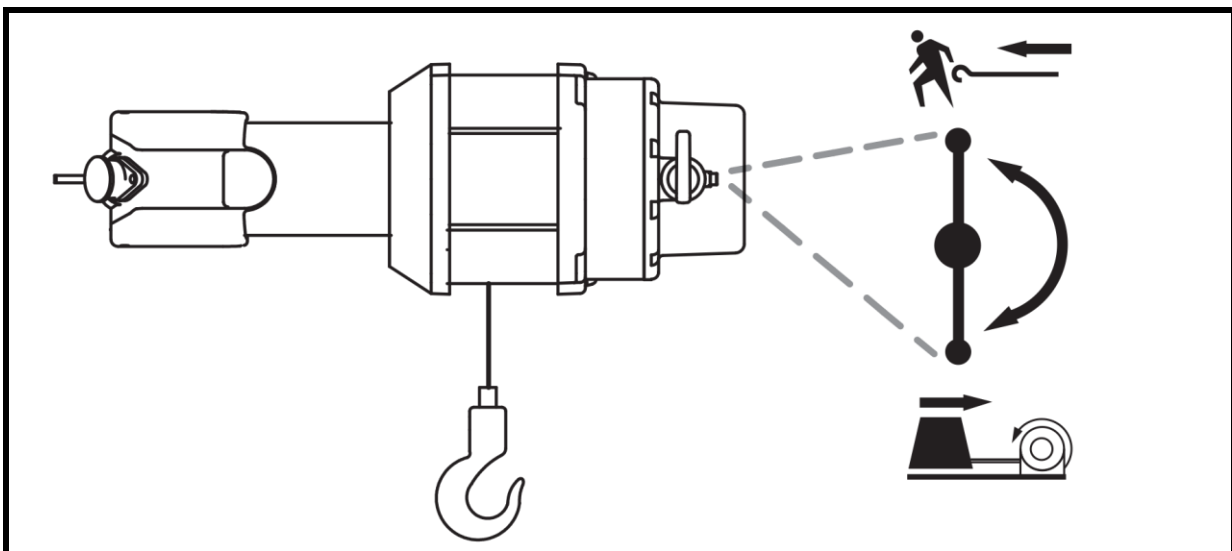
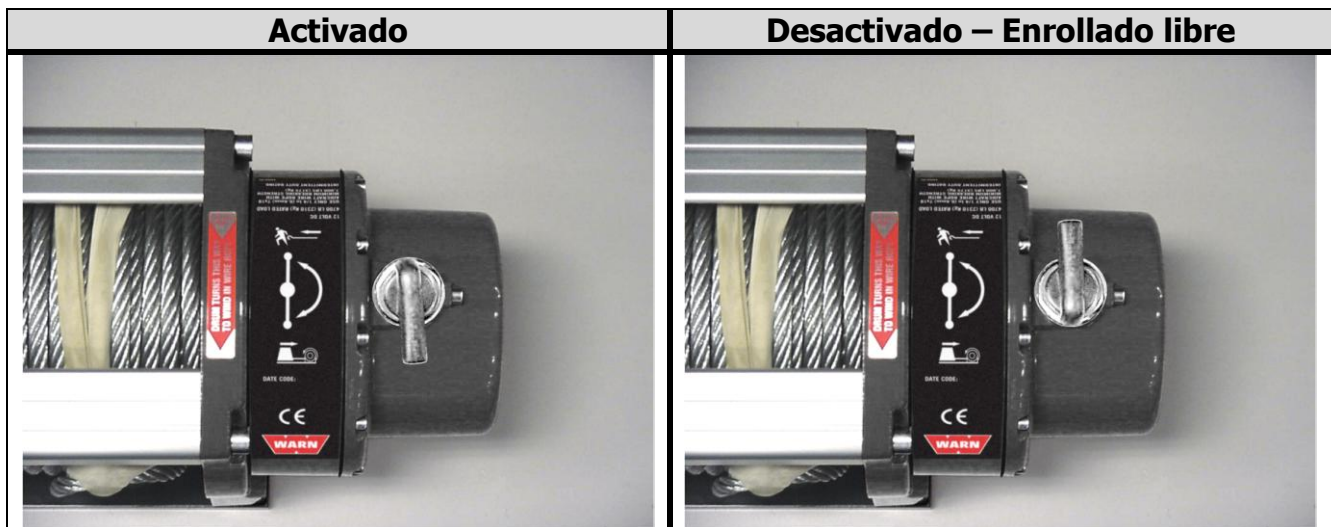
ADVERTENCIA

Peligro durante el funcionamiento del cabrestante

De no seguirse estas instrucciones podrían producirse lesiones de gravedad o la muerte.

- No embrague ni desembrague nunca si el cabrestante se encuentra con carga o si el cable tiene tensión.

Cuando el embrague está activado, el sistema de engranajes se acopla al tambor del cable y, en estas condiciones, puede transferirse movimiento desde el motor del cabrestante. Cuando el embrague está en el modo de enrollado libre, el sistema de engranajes y el tambor del cable están desengranados, lo que permite que el tambor gire libremente. La palanca del embrague, situada en la parte superior del motor, controla la posición del mismo. Para evitar daños, engrane y desengrane siempre completamente la palanca del embrague.

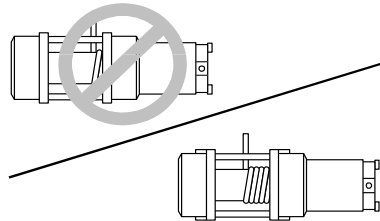
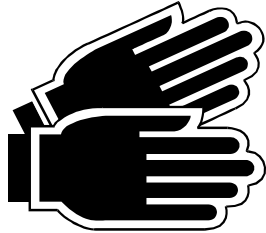


Instrucciones de operación - Continuación

DESENROLLADO

Generalmente, el desenrollado manual es la forma más rápida y sencilla de sacar el cable hacia afuera. Antes de proceder al desenrollado manual, saque suficiente cable a fin de eliminar cualquier tensión en la que pueda estar sometido el mismo antes de desembragar. A continuación, proceda al desenrollado manual, sacando manualmente suficiente cable para la operación.

⚠ PRECAUCIÓN



Peligro de lesiones

De no seguirse estas instrucciones podrían producirse lesiones menores o de poca gravedad.

- Lleve puestos siempre guantes gruesos de cuero para manipular el cable.
- No accione el cabrestante si no hay al menos 5 vueltas de cable alrededor del tambor.

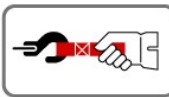
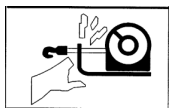
TENSIÓN DEL CABLE

La vida útil del cable está directamente relacionada con la forma en que se utiliza y se cuida el mismo. Durante su primer uso, un cable nuevo debe enrollarse en su tambor bajo una carga de por lo menos 227 kg (500 libras). Desenrolle todo el cable dejando 5 vueltas en el tambor y a continuación, enrolle el cable bajo una carga de 227 kg (500 libras) o más. Esto tensará el cable nuevo y creará un correcto enrollado del mismo alrededor del tambor. De no hacerse así, las vueltas exteriores se podrían trabar con las vueltas interiores produciendo atascamientos y daños en el cable.

⚠ ADVERTENCIA

Peligro de enredo en las piezas móviles

De no seguirse estas instrucciones podrían producirse lesiones de gravedad o la muerte.



- Mantenga **siempre** las manos alejadas del cable, del bucle del gancho, del gancho y de la abertura de la guía durante la instalación, la operación, y en el enrollado y desenrollado.
- Utilice **siempre** la correa del gancho suministrada cuando vaya a enrollar o desenrollar el cable, o durante la instalación o la operación, para evitar daños en las manos.

ENROLLADO CON CARGA

- ❑ El cable debe enrollarse alrededor del tambor en el sentido indicado por la marca de rotación que hay en el cabrestante.
- ❑ Enrolle el cable uniformemente y bien tensado alrededor del tambor. Esto evita que las vueltas más externas del cable se traben con las vueltas internas, lo cual puede ocasionar atascamientos y daños al cable.
- ❑ Evite las sacudidas de la carga cuando esté enrollando; para ello, utilice el interruptor de control de forma intermitente a fin de tensar y hacer entrar las porciones del cable que puedan quedar flojas. Las sacudidas de la carga pueden sobrepasar momentáneamente la capacidad nominal del cabrestante y del cable.

ENROLLADO SIN CARGA

- ❑ **Con asistencia:** Pida a su ayudante que sujete el gancho y la correa del mismo, tensando el cable de forma constante y tanto como sea posible. Manteniendo tenso el cable, el ayudante debe caminar hacia el cabrestante mientras usted acciona el interruptor de control para enrollar el cable. Suelte el interruptor cuando el gancho esté a una distancia mínima de 1,2 m (4 pies) de la abertura de la guía. Luego, enrolle la parte final del cable para su almacenamiento.
- ❑ **Sin asistencia:** Disponga el cable de forma que no se doble ni se trabe al enrollarlo. Asegúrese de que el cable ya enrollado alrededor del tambor esté bien tenso y dispuesto en capas uniformes. Enrolle el cable lo suficiente para formar la siguiente capa completa alrededor del tambor. Tense y enderece la capa. Repita este proceso hasta que el gancho quede a una distancia mínima de 1,2 m (4 pies) de la guía para el cable. Luego, enrolle la parte final del cable para su almacenamiento.

ENROLLADO DE LA PARTE FINAL PARA EL ALMACENAMIENTO

No toque el cable, el gancho ni la abertura de la guía. Siempre utilice la correa del gancho para sujetar el mismo al enrollar el cable cuando no haya carga. Con mucho cuidado, vaya enrollando la parte final del cable activando y desactivando repetidamente el interruptor de control a fin de enrollar la parte floja final. Fije el gancho en un punto de anclaje adecuado cercano al cabrestante. Asegúrese de no tensar en exceso ya que ello podría dañar el cable o el punto de anclaje.

MANIOBRADO

- ❑ Siempre desenrolle cuanto más cable sea posible al prepararse para el maniobrado. Elija el punto más alejado posible de fijación; esto proporciona al cabrestante mayor capacidad de tracción.
- ❑ El uso de línea de doble cable y una polea reduce la carga del cabrestante a la mitad sin pérdida significativa de la velocidad de enrollado.
- ❑ Los puntos de anclaje naturales como, por ejemplo, árboles, tocones y rocas, son los más cómodos cuando están disponibles. Acople una cadena o un cable de estrangulación, o un protector de tronco de árbol al punto de anclaje, a la menor altura posible, para evitar derribarlo. Si hay varios puntos de anclaje disponibles pero no son lo suficientemente resistentes por separado, puede acoplar un cable o una cadena de estrangulación alrededor de varios puntos a fin de formar un punto de anclaje "colectivo" lo suficientemente resistente.

Instrucciones de operación - Continuación

SOBRECARGA/SOBRECALENTAMIENTO

El cabrestante está indicado para un servicio intermitente. No se debe poner en funcionamiento con el motor reducido a bajas RPM. Cuando el motor se aproxima a la velocidad crítica, se genera calor muy rápidamente, lo que puede ocasionar daños al motor. El uso de línea de doble cable reducirá los amperios del motor, permitiendo un uso continuo mayor (vea la sección del maniobrado).

Mantenimiento y garantía

MANTENIMIENTO

- No se requiere lubricación durante la vida útil del cabrestante.
- Inspeccione el cable de tiro antes y después de cada operación efectuada con el cabrestante. Si presenta daños, sustitúyalo.

GARANTÍA

Vea la hoja adicional incluida con el cabrestante

-0-

**Si la hoja de la garantía se ha perdido, póngase en contacto con
Warn Industries, Inc.
Customer Service Dept.
12900 SE Capps Rd
Clackamas, OR 97015-8903.**

Estados Unidos:

Teléfono: 503.722.1200 ó (800) 543-9276 (EE.UU. solamente)
Fax: 503.722-3000

Internacional:

Teléfono: 503.722.3008
Fax: 503.722.3005

© 2010 Copyright Warn Industries, Inc. All rights reserved.





GUIDE DE L'UTILISATEUR DU TREUIL

Treuil utilitaire WARN® 4700

Numéro de pièce : 94700, 94710



Votre sécurité et celle des autres est très importante. Pour vous permettre de prendre des décisions éclairées dans le domaine de la sécurité, nous vous avons fourni des instructions relatives à l'installation et à l'utilisation du produit ainsi que d'autres informations figurant sur des étiquettes apposées sur le produit. Ces informations attirent l'attention sur les dangers potentiels pouvant vous affecter ainsi qu'autrui. Nous ne sommes pas en mesure de vous mettre en garde contre tous les dangers potentiels associés à ce produit. Il vous incombe par conséquent de faire preuve de jugement.

TOUTE INSTALLATION OU UTILISATION IMPRUDENTE DU TREUIL PEUT ENTRAÎNER DES BLESSURES GRAVES OU ENDOMMAGER L'ÉQUIPEMENT. PRENDRE SOIN DE LIRE ET DE BIEN ASSIMILER LES CONSIGNES DE SÉCURITÉ ET D'UTILISATION DU PRODUIT AVANT DE L'INSTALLER ET DE L'UTILISER.

Ce guide identifie les dangers potentiels et comporte des consignes de sécurité importantes qui permettent, à vous et à autrui, d'éviter les risques de blessures graves ou de mort. Les termes **AVERTISSEMENT** et **ATTENTION** sont des indicateurs du niveau de danger. Signification des indicateurs :

 **Le terme AVERTISSEMENT** souligne un danger potentiel qui *peut* entraîner des blessures graves ou la mort si vous ne suivez pas les consignes.

 **Le terme ATTENTION** souligne un danger potentiel *susceptible* d'entraîner des blessures mineures ou modérées si vous ne suivez pas les consignes.

Ce guide utilise le terme **AVIS** pour attirer votre attention sur des informations mécaniques importantes, et le terme **Remarque** : pour souligner des informations générales qui méritent une attention particulière.

Description du produit : Treuil utilitaire WARN® 4700

Le treuil utilitaire WARN® 4700 est un puissant outil de traction. Alimenté par une source de 12 volts c.c., ce treuil compact possède une capacité de traction de 2130 kilos.

L'appareil est doté d'une télécommande permettant d'enrouler et dérouler le câble, d'un câble de 18,3 m de long et 6,35 mm de diamètre et d'un crochet avec fermoir de sécurité. L'embrayage à déroulement en roue libre fait partie de l'équipement standard.

Introduction

Merci d'avoir choisi le treuil utilitaire WARN®. Tous les produits WARN® ont été conçus et fabriqués de manière à assurer un fonctionnement sans problèmes pendant des années. Prière de noter les informations suivantes à titre de référence :

Numéro de modèle/pièce : _____ **Date d'achat :** _____

Avant de commencer

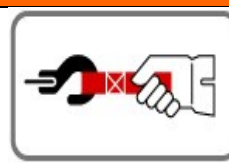
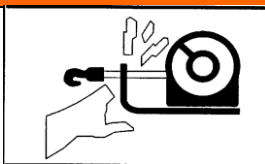
- Lire les instructions intégralement afin de se familiariser avec la procédure d'installation.
- Prière de relire tous les avis, mises en garde et avertissements pour s'assurer que le kit est installé correctement et en toute sécurité.

Mesures de sécurité

Voici quelques mesures générales de sécurité que tout utilisateur du treuil se doit de connaître. Cependant, au-delà de toute consigne, la règle la plus importante à suivre est celle-ci : **FAIRE PREUVE DE BON SENS.**

Les quelques minutes consacrées à la lecture de ces consignes permettront à tout opérateur d'être conscient des pratiques dangereuses à éviter et des précautions qu'il pourra prendre pour assurer sa sécurité et celle d'autrui. Une vérification fréquente ainsi que des inspections périodiques de l'équipement et l'application consciencieuse des consignes de sécurité pourront permettre de sauver des vies et d'économiser temps et argent.

AVERTISSEMENT



DANGER DE HAPPEMENT PAR DES PIÈCES MOBILES

Le non-respect des instructions peut entraîner des blessures graves, voire mortelles.

Pour éviter de se blesser les mains ou les doigts :

- **Toujours** garder les mains éloignées du câble, de la boucle du crochet, du crochet et de l'ouverture du guide-câble durant l'installation et l'utilisation du treuil et l'enroulement ou le déroulement du câble.
- **Toujours** faire très attention durant la manipulation du crochet et du câble pendant les manœuvres de déroulement.
- **Toujours** utiliser le cordon du crochet fourni pour enrouler ou dérouler le câble, durant l'installation ou l'utilisation, pour éviter de se blesser les mains ou les doigts.

AVERTISSEMENT



DANGER DE CHUTE OU D'ÉCRASEMENT

Le non-respect des instructions peut entraîner des blessures graves, voire mortelles.

- **Ne jamais** utiliser l'appareil comme palan aérien ou pour suspendre une charge.
- **Ne jamais** utiliser l'appareil pour soulever ou transporter des personnes.

ATTENTION

DANGER DE HAPPEMENT PAR DES PIÈCES MOBILES

Le non-respect des instructions peut entraîner des blessures mineures ou modérées.

Consignes de sécurité générales :

- **Toujours** se familiariser avec le treuil : Prendre le temps de bien lire et comprendre le manuel d'installation et d'utilisation ainsi que le manuel de base des techniques de treuillage inclus avec le treuil afin de se familiariser avec l'appareil et son fonctionnement.
- Les personnes âgées de moins de 16 ans ne doivent **jamais** faire fonctionner cet appareil.
- **Ne jamais** faire fonctionner l'appareil sous l'effet de drogues, de l'alcool ou de médicaments.
- **Ne jamais** excéder la capacité nominale du treuil ou du câble d'acier. Un câblage double avec poulie ouvrante permet de réduire la charge subie par le treuil.

Consignes de sécurité se rapportant à l'installation :

- **Toujours** choisir une surface de montage suffisamment résistante pour supporter la capacité de traction maximale du treuil.
- **Toujours** utiliser des interrupteurs, télécommandes, accessoires et composants d'installation homologués par le fabricant.
- **Toujours** utiliser un matériel de catégorie 5 ou supérieur, ne jamais souder les boulons ni utiliser des boulons plus longs que ceux fournis par le fabricant.
- **Toujours** achever le montage du treuil et la fixation du crochet à sa boucle avant d'effectuer le câblage du treuil durant l'installation.
- **Toujours** positionner le guide-câble avec l'étiquette d'AVERTISSEMENT sur le dessus.
- **Toujours** enrouler le câble sur le tambour tel qu'indiqué par l'autocollant de rotation apposé sur le treuil. Nécessaire pour que le frein automatique puisse fonctionner (le cas échéant) et pour assurer une installation dans le bon sens.
- **Toujours** étirer au préalable le câble d'acier et l'enrouler sous charge avant de l'utiliser. Un câble enroulé de manière serrée permet de réduire le risque qu'il coince, c'est-à-dire que si le câble s'enroule de façon lâche, il peut s'enchevêtrer et s'endommager lui-même.

Consignes de sécurité concernant le treuillage :

- **Toujours** inspecter l'installation du treuil et l'état du câble métallique avant de faire fonctionner le treuil. Tout câble effiloché, tordu ou endommagé doit être remplacé immédiatement. Toute installation de treuil desserrée ou endommagée doit être corrigée immédiatement.
- **Ne jamais** accrocher le câble à lui-même. Cela l'endommagerait. Toujours utiliser une chaîne ou un câble à nœud coulant, ou bien une protection de tronc d'arbre sur le point d'ancrage.
- **Toujours** s'assurer que tous les obstacles potentiels sont écartés, avant de commencer le treuillage.
- **Toujours** prendre le temps de bien procéder au câblage avant d'utiliser le treuil.
- **Toujours** s'assurer que le point d'ancrage choisi peut supporter la charge et que la sangle ou la chaîne ne glisse pas.
- **Ne jamais** essayer d'embrayer ou de débrayer si le treuil est sous charge, si le câble est en tension ou si le tambour est en train de tourner.
- **Toujours** dérouler autant de câble que possible avant de procéder au câblage. Utiliser une ligne double ou choisir un point d'ancrage distant.
- **Ne jamais** utiliser le treuil avec moins de 5 spires de câble enroulées autour du tambour, car le câble pourrait se dérouler du tambour, étant donné que l'ancrage du câble n'est pas conçu pour retenir une charge.
- **Toujours** se tenir à l'écart du câble et de la charge durant l'utilisation.
- **Ne jamais** toucher le câble ou le crochet lorsque le câble est tendu ou sous charge.
- **Ne jamais** toucher le câble ou le crochet lorsqu'une autre personne est à l'interrupteur de commande ou durant le fonctionnement du treuil.
- **Ne jamais** toucher le câble ou le crochet lorsque la télécommande est branchée sur le treuil.
- **Toujours** se tenir à l'écart du câble et de la charge durant l'utilisation et ne jamais laisser personne s'approcher.
- **Toujours** exiger de l'opérateur et des personnes présentes d'être conscients de la stabilité du véhicule ou de la charge.
- **Toujours** garder la télécommande à l'écart du tambour, du câble et du câblage. S'assurer qu'il n'y a pas de fissures, de points de pincement, de fils effilochés ou de connexions desserrées. Remplacer en cas de dommages.

Mesures de sécurité - Suite

⚠ ATTENTION



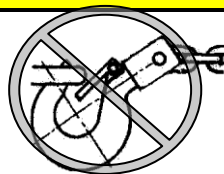
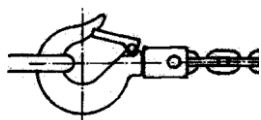
RISQUE DE COUPURE ET DE BRÛLURE

Le non-respect des instructions peut entraîner des blessures mineures ou modérées.

Pour éviter de se blesser les mains ou les doigts :

- **Toujours** porter des gants de cuir résistants durant la manipulation du câble d'acier.
- **Ne jamais** laisser le câble glisser dans les mains.
- **Toujours** penser aux surfaces chaudes au niveau du moteur du treuil, du tambour ou du câble durant ou après l'utilisation du treuil.

⚠ ATTENTION



Danger de happement par des pièces mobiles

Le non-respect des instructions peut entraîner des blessures mineures ou modérées.

- Ne jamais appliquer la charge sur l'extrémité du crochet ou le loquet. Appliquer la charge au centre du crochet seulement.
- Ne jamais utiliser un crochet dont la gorge s'est élargie ou dont l'extrémité est courbée ou tordue

AVIS

ÉVITER D'ENDOMMAGER LE TREUIL ET L'ÉQUIPEMENT

- **Toujours** éviter de tirer continuellement sur le côté, ce qui a pour effet d'empiler le câble sur l'une des extrémités du tambour. Cela peut endommager le câble ou le treuil.
- **Toujours** s'assurer d'avoir complètement embrayé ou complètement débrayé.
- **Ne jamais** se servir du treuil pour remorquer d'autres véhicules. Les charges de choc peuvent momentanément dépasser de loin la capacité du treuil du câble.
- **Toujours** faire attention à ne pas endommager le cadre si l'on décide d'arrimer le véhicule pour pouvoir travailler avec le treuil.
- **Ne jamais** « secouer » le câble sous charge. Les charges de choc peuvent momentanément dépasser de loin la capacité du treuil et du câble.
- **Ne jamais** se servir du treuil pour maintenir une charge pendant le transport.
- **Ne jamais** submerger le treuil dans l'eau.
- **Toujours** ranger le treuil dans un endroit sûr, propre et sec.

Numéros de pièce et extrémités de cordon du WARN 4700

NUMÉROS DE PIÈCE

94700	Treuil utilitaire 12 V c.c. n° 4700
94710	Treuil utilitaire (international) 12 V c.c n° 4700

Liste des pièces

Le treuil utilitaire WARN® 4700 comprend les composants principaux suivants.



1. Treuil WARN 4700	2. Télécommande à fil de 3,7 m (12 pi)
3 Guide-câble	4. Câble de 1,8 m (6 pi), calibre 6 (2)
5. Crochet avec loquet et sangle de crochet	6. Matériel de montage

Spécifications techniques du WARN 4700

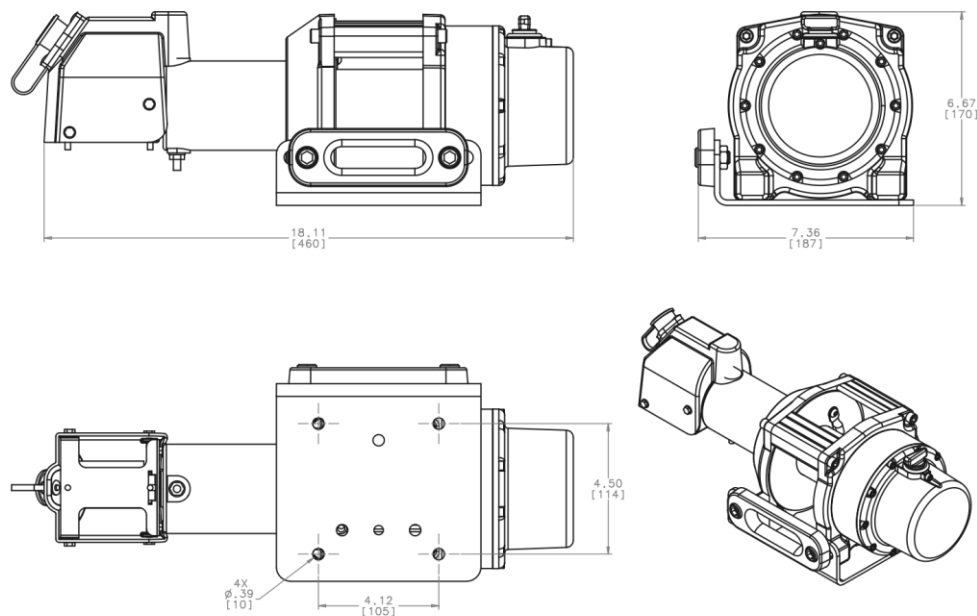
CARACTÉRISTIQUES			
Capacité de traction	2130 kg (4700 lb)	Frein	Système de freinage mécanique dynamique
Type d'interrupteur	Télécommande à fil de 3,7 m (12 pi)	Garantie	Limitée d'un an
Moteur	Aimant permanent	Câble	18,3 m X 6,35mm (1/4 po x 60 pi)
Puissance	0,45 kW (1,9 CV), 7,62 cm de diamètre	Diamètre du tambour	6,35 cm (2,5 po)
Alimentation	12 V c.c.	Guide-câble	Ecubier
Train d'engrenages	Planétaire à 3 étages	Disposition des trous	4 trous
Rapport de démultiplication	216/01	Fils électriques	Câble de 1,8 m (6 pi), calibre 6 (2)
Embrayage	Levier multidirectionnel	Poids	19,1 kg (42 lb)

Données de performance du WARN 4700

DONNÉES DE PERFORMANCE : 4700

Charge		Courant	Vitesse	Puissance de traction, couche de câble			
Lbs.	Kg	Intensité (A)	pi/min	M/min	Couche	lbs.	kg
0	0	47	17.9	5.5	1	4700	2130
1000	453.6	82	12.8	3.9	2	3980	1800
2000	907.2	150	10.8	3.3	3	3450	1560
3000	1360.8	212	8.1	2.5	4	3041	1380
4000	1814.4	277	5.8	1.8	5	2720	1230
4700	2132	322	4.3	1.3			

Données dimensionnelles du WARN 4700



Installation du treuil sur un emplacement fixe

! ATTENTION

Danger de défaillance du treuil

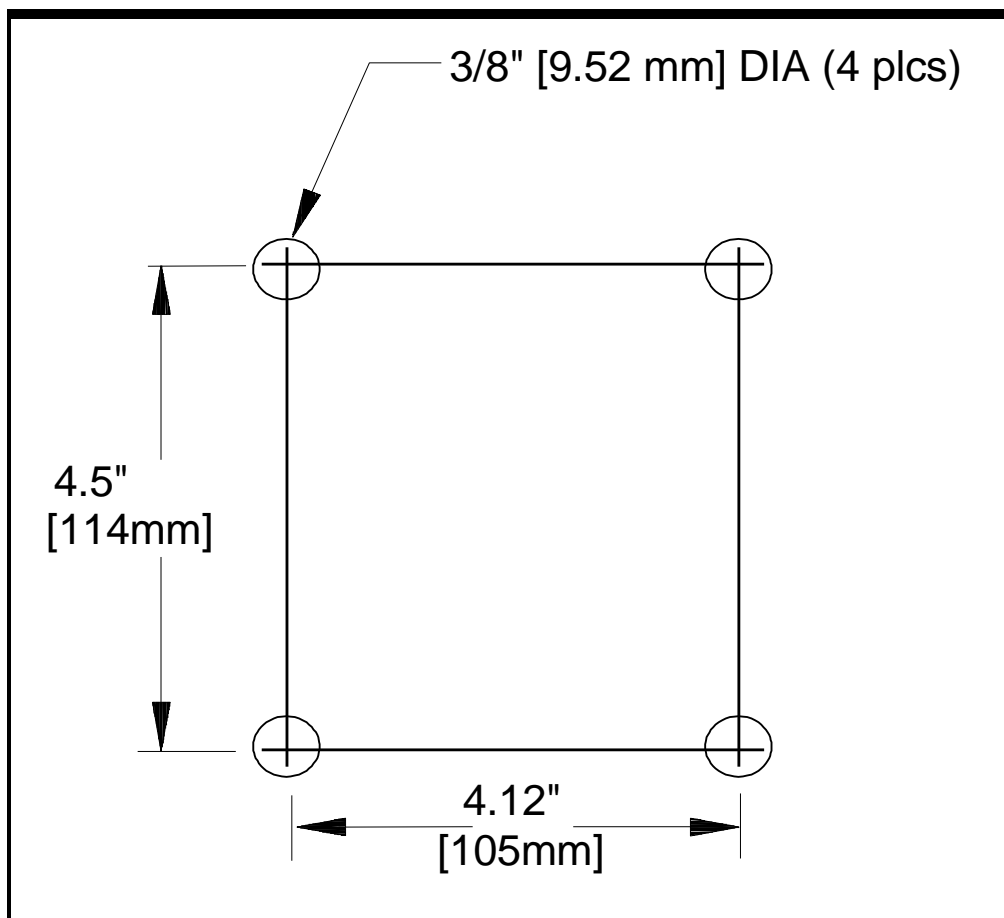
Le non-respect des instructions peut entraîner des blessures mineures ou modérées.

- **Toujours choisir une surface de montage suffisamment résistante pour supporter les charges qui seront halées.**

Le 4700 peut être installé sur un emplacement fixe au moyen des trous de montage du treuil. Choisir tout d'abord une surface de montage suffisamment résistante pour supporter les charges qui seront halées.

Percer ensuite 4 trous selon les dimensions spécifiées sur le dessin ci-dessous.

Disposition des trous de la plaque de montage



Installation du treuil sur un emplacement fixe-suite

Pour fixer le treuil, toujours se servir des éléments suivants :

- Une surface de montage plate et sûre en acier d'une épaisseur d'au moins 4,8 mm.
- 4 rondelles d'arrêt de 3/8 po.
- 4 vis à tête hexagonale de 3/8-16 x 1 po de long, catégorie 5 ou supérieure.
- Visser les boulons de fixation à un couple de 41 à 47 Nm.

Il se peut que les boulons doivent être plus longs que spécifiés ci-dessus selon l'épaisseur du matériau auquel est fixé le treuil.

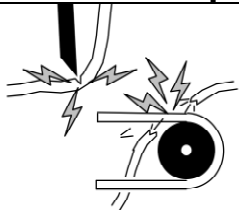
Installation du Câblage



AVERTISSEMENT

Risque de choc électrique

Le non-respect des consignes peut entraîner des blessures graves ou la mort.



- Ne faites pas passer les câbles électriques sur des bords tranchants.
- Ne faites pas passer les câbles électriques à travers des pièces mobiles ou à proximité.
- Lisez et suivez toutes les instructions de câblage indiquées dans le manuel de l'utilisateur.
- Isolez et protégez tous les fils et bornes électriques exposés.

- Raccordements électrique : câble rouge connecté à la borne positive, câble noir connecté à la borne négative.
- Assurez-vous que toutes les connexions sont propres et bien serrées.

Avant d'utiliser le treuil, veuillez vérifier les points suivants :

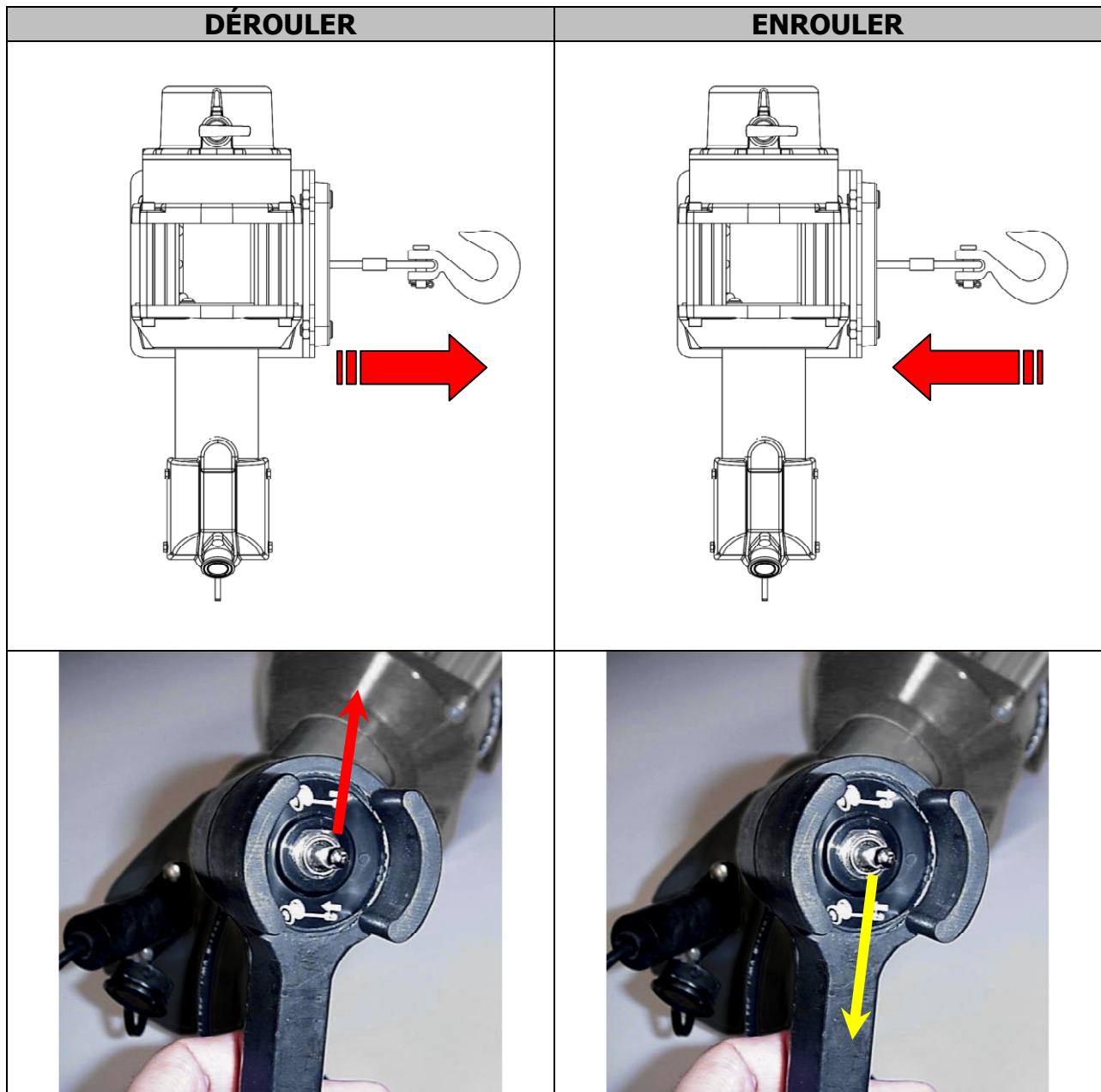
- Le câblage de tous les composants est correct.
- Aucun câble ni aucune borne n'est exposé. Couvrez-les sinon à l'aide de plaques isolantes, capuchons, gaines thermorétractibles ou ruban isolant.

Mode d'emploi

UTILISATION DE LA TÉLÉCOMMANDE CÂBLÉE

La télécommande est câblée au treuil et peut être actionnée à distance du treuil ou en la rangeant dans la plaque de support.

Appuyer sur le bouton noir pour dérouler le câble ou sur le bouton blanc pour enrouler le câble sur le tambour



FONCTIONNEMENT DE L'EMBRAYAGE



AVERTISSEMENT

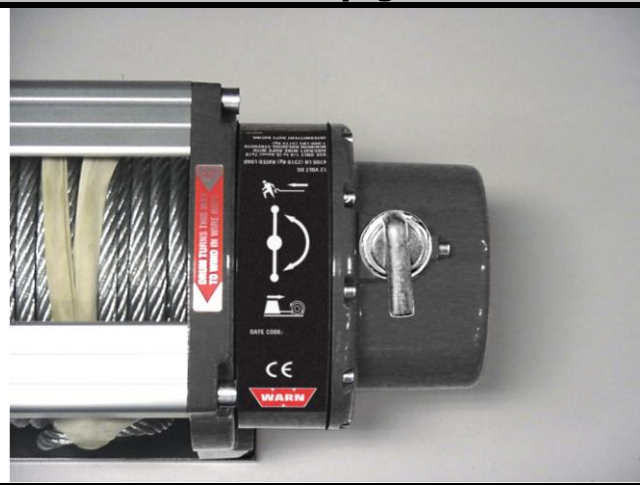
Danger lié au fonctionnement du treuil

Le non-respect des instructions peut entraîner des blessures ou des dommages matériels.

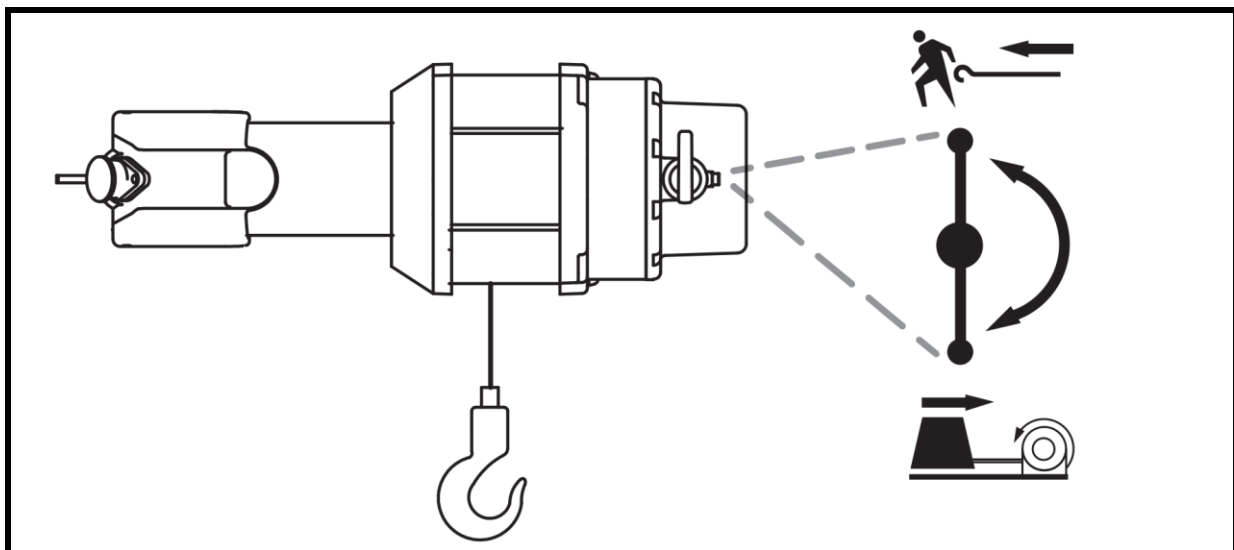
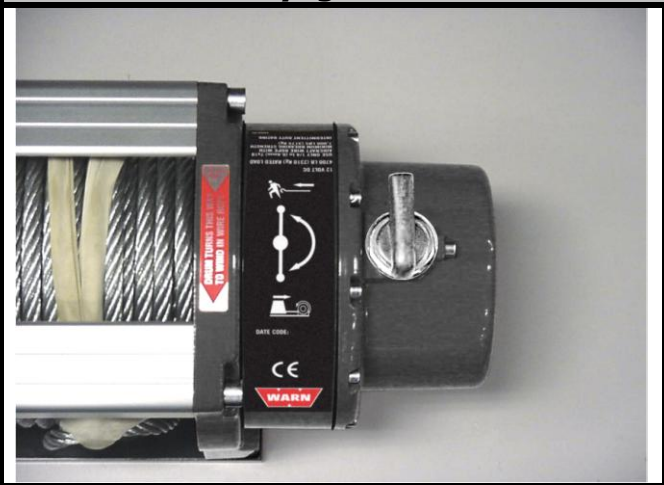
- Ne jamais essayer d'embrayer ou de débrayer si le treuil est sous charge ou si le câble est sous tension.**

Lorsque l'embrayage est en prise, le train d'engrenages est couplé au tambour du câble et l'entraînement peut alors être transféré du moteur du treuil. Lorsque l'embrayage est en mode de déroulement en roue libre, le train d'engrenages et le tambour se découplent, ce qui permet au tambour de tourner librement. Le levier d'embrayage, situé en haut du moteur, contrôle la position de l'embrayage. Pour éviter tout dommage, tourner complètement le levier d'embrayage dans l'une ou l'autre position.

Embrayage



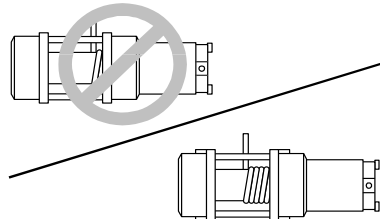
Désembrayage - Roue libre



DÉROULEMENT DU CÂBLE

Le déroulement en roue libre constitue généralement la façon la plus rapide et la plus facile de dérouler le câble. Avant de mettre le treuil en roue libre pour dérouler le câble, dérouler au moteur une quantité suffisante de câble avant de débrayer pour soulager le câble de toute tension. On peut alors dérouler manuellement une quantité suffisante de câble pour pouvoir travailler avec le treuil.

ATTENTION



Risque de blessures

Le non-respect des instructions peut entraîner des blessures mineures ou modérées.

- Toujours porter des gants de cuir durant la manipulation du câble d'acier.**
- Ne jamais utiliser le treuil avec moins de 5 spires de câble enroulées autour du tambour.**

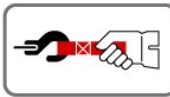
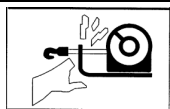
ÉTIREMENT DU CÂBLE

La durée de vie d'un câble est liée directement à son entretien et à son utilisation. Lors de sa première utilisation, un câble neuf doit être enroulé sur son tambour sous une charge d'au moins 227 kg. Dérouler entièrement le câble de façon à ne laisser que 5 spires sur le tambour, puis enrouler le câble sous une charge de 227 kg ou plus. Ceci permet d'étirer un câble neuf et de bien l'enrouler sur le tambour. Sinon, les spires extérieures risquent de s'enfoncer dans les spires intérieures, ce qui peut coincer et endommager le câble.

AVERTISSEMENT

Danger de happement par des pièces mobiles

Le non-respect des consignes peut entraîner des blessures graves ou la mort.



- TOUJOURS** garder les mains éloignées du câble, de la boucle du crochet, du crochet et de l'ouverture du guide-câble durant l'installation et l'utilisation du treuil et l'enroulement ou le déroulement du câble.
- TOUJOURS** utiliser le cordon du crochet fourni pour enrouler ou dérouler le câble, durant l'installation ou l'utilisation, pour éviter de se blesser les mains ou les doigts.

ENROULEMENT SOUS CHARGE

- ❑ Le câble d'acier doit toujours être enroulé sur la partie inférieure du tambour tel qu'indiqué par l'autocollant apposé sur le treuil.
- ❑ Enrouler mécaniquement le câble sur le tambour de manière uniforme et serrée. Cela empêche les spires extérieures de s'enfoncer dans les spires intérieures, ce qui peut coincer et endommager le câble.
- ❑ Pour éviter les charges de choc durant l'enroulement du câble, actionner l'interrupteur de commande de manière intermittente afin d'éliminer le mou du câble. Les charges de choc peuvent momentanément dépasser de loin la capacité du treuil et du câble.

ENROULEMENT À VIDE

- ❑ **Enroulement assisté** : Demander à un assistant de tenir le crochet avec une corde ou un chiffon en appliquant une tension aussi constante que possible sur le câble. Tout en maintenant la tension, il devra se déplacer en direction du treuil pendant l'actionnement de l'interrupteur de commande pour enrouler le câble. Relâcher l'interrupteur lorsque le crochet parvient à une distance minimum de 1,2 m de l'ouverture du guide-câble. Enrouler le reste du câble.
- ❑ **Enroulement non assisté** : Arranger le câble à enrouler de manière à ce qu'il ne s'entortille ni ne s'emmêle pendant le rembobinage. S'assurer que le câble est enroulé sur le tambour de manière uniforme et serrée. Enrouler une quantité suffisante de câble pour compléter une couche entière sur le tambour. Serrer et étaler de manière égale la couche de câble. Refaire de même jusqu'à ce que le crochet soit à au moins 1,2 m du guide-câble. Enrouler le reste du câble.

ENROULEMENT DU RESTE DU CÂBLE POUR LE RANGER

Éloigner les mains du câble, du crochet et de l'ouverture du guide-câble. Toujours utiliser un chiffon ou un cordon pour tenir le crochet lorsque le câble est enroulé à vide. Enrouler mécaniquement le reste du câble avec soin, en actionnant l'interrupteur de commande par petits coups afin d'éliminer le mou restant. Fixer le crochet à un point d'ancrage approprié près du treuil. Éviter de trop tendre pour ne pas endommager le câble ou le point d'ancrage.

CÂBLAGE

- ❑ Toujours dérouler autant de câble que possible avant de procéder au câblage. Choisir un point d'ancrage approprié aussi distant que possible. Cela assure au treuil une puissance de traction maximum.
- ❑ Un câblage double avec poulie ouvrante permet de réduire de moitié la charge subie par le treuil sans perte sensible de vitesse de rembobinage.
- ❑ Des ancrages naturels tel qu'arbres, souches et rochers sont très utiles lorsqu'ils sont disponibles. Attacher une chaîne ou câble à nœud coulant ou une protection de tronc d'arbre sur le point d'ancrage aussi bas que possible pour éviter de tirer le point d'ancrage vers le bas. Si plusieurs ancrages sont disponibles mais qu'ils ne sont pas assez solides individuellement, il peut être pratique de les réunir en faisant un nœud coulant avec un câble ou une chaîne afin de constituer un puissant point d'ancrage collectif.

Mode d'emploi - suite

SURCHARGE/SURCHAUFFE

Ce treuil est conçu pour un service intermittent. Ne pas le faire fonctionner avec le moteur tournant à bas régime. Lorsque le moteur du treuil atteint une vitesse si faible qu'il peut caler, il se met à surchauffer très rapidement, ce qui peut l'endommager. Un câblage double permet de réduire la consommation de courant du moteur, ce qui permet une utilisation continue prolongée (voir la section Câblage).

Entretien et garantie

ENTRETIEN

- ❑ Aucune lubrification n'est nécessaire pendant la durée de service du treuil.
- ❑ Inspecter le câble avant et après chaque utilisation du treuil. Le remplacer s'il est endommagé.

GARANTIE

Voir la feuille emballée avec le treuil

-ou-

Si la feuille de garantie est perdue ou introuvable, contacter :

**Warn Industries, Inc.
Customer Service Dept.
12900 SE Capps Rd
Clackamas, OR 97015-8903.**

États-Unis :

Tél : 503.722.1200 ou (800) 543-9276 (États-Unis seulement)
Télécopie : 503.722.3000

International :

Tél : 503.722.3008
Télécopie : 503.722.3005

© 2010 Copyright Warn Industries, Inc. All rights reserved.





BEDIENUNGSANLEITUNG
WARN® Nutzwinde 4700
Best.-Nr.: 94700, 94710



Ihre Sicherheit und die Sicherheit anderer spielen eine wichtige Rolle. Anhand der Installationsanweisungen sowie der Bedienungsanleitung und der Informationen auf den Etiketts und in dieser Anleitung sollen Sie informierte Entscheidungen in Bezug auf die Sicherheit treffen können. Die folgenden Informationen weisen auf mögliche Gefahren hin, die zu Körperverletzungen führen können. Wir können Sie nicht auf alle möglichen Gefahrensituationen hinweisen, die im Rahmen der Verwendung dieses Produkts entstehen können. Nutzen Sie Ihr eigenes gesundes Urteilsvermögen.

DIE UNACHTSAME INSTALLATION UND BEDIENUNG DER WINDE KANN ZU SCHWEREN VERLETZUNGEN UND SACHSCHÄDEN FÜHREN. LESEN SIE VOR DER INSTALLATION UND BEDIENUNG DIESES PRODUKTS ALLE SICHERHEITSMASSNAHMEN UND BEDIENUNGSANLEITUNGEN.

Diese Richtlinien weisen auf mögliche Gefahren hin und enthalten wichtige Sicherheitsmaßnahmen, mit denen sich schwere oder lebensgefährliche Körperverletzungen vermeiden lassen. Bei **ACHTUNG** und **VORSICHT** handelt es sich um Signalwörter zur Kennzeichnung der Gefahrenstufe. Die Bedeutung dieser Signalwörter ist wie folgt:

⚠️ACHTUNG weist auf eine Gefahr hin, die zu schweren oder lebensgefährlichen Körperverletzungen führen *könnte*, wenn Sie die Anweisungen nicht beachten.

⚠️VORSICHT weist auf eine Gefahr hin, die zu leichten oder mäßigen Körperverletzungen führen *kann*, wenn Sie die Anweisungen nicht beachten.

In diesem Handbuch wird der Begriff **HINWEIS** zur Kennzeichnung wichtiger mechanischer Informationen verwendet und ein **Wichtig** zur Betonung allgemeiner Informationen, die beachtet werden sollten.

Produktbeschreibung: WARN® Nutzwinde 4700

Bei der WARN® Nutzwinde 4700 handelt es sich um ein leistungsstarkes Zuginstrument. Diese kompakte Winde, die über eine 12-V-Wechselstromquelle gespeist wird, hat eine Zugkapazität von 2,130 kg.

Das Gerät verfügt über ein Handsteuergerät zum Auf- und Abspulen, ein 18,3 m langes und 6,35 mm dickes Drahtseil sowie einen Sicherheitshaken. Die Standardausrüstung umfasst eine Freilaufkupplung.

Einführung

Vielen Dank für Ihr Vertrauen in WARN® Nutzwinden. Alle WARN® Produkte wurden für jahrelangen problemlosen Einsatz entwickelt und hergestellt. Notieren Sie sich die folgenden Informationen, damit Sie sie im Bedarfsfall schnell zur Hand haben:

Modell-/Best.-Nr.: _____ **Kaufdatum:** _____

Vor Beginn

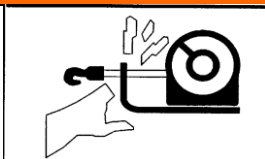
- Lesen Sie die Anweisungen sorgfältig, um sich mit der Installation vertraut zu machen.
- Lesen Sie alle Hinweise, Vorsichtsmaßnahmen und Warnhinweise, damit die ordnungsgemäße und sichere Installation des Kits gewährleistet ist.

Sicherheitsmaßnahmen

Es folgen einige allgemeine Sicherheitsmaßnahmen, die jeder Benutzer einer Winde kennen sollte. Die wichtigste Regel überhaupt ist jedoch die **VERWENDUNG DES GESUNDEN MENSCHENVERSTANDS**.

Das Lesen dieser Regeln nimmt nur wenige Minuten in Anspruch, kann das Bedienpersonal jedoch auf vermeidbare gefährliche Praktiken und auf Vorsichtsmaßnahmen zur eigenen Sicherheit und zur Sicherheit anderer hinweisen. Häufige Tests und regelmäßige Inspektionen der Geräte sowie eine bewusste Einhaltung der Sicherheitsmaßnahmen können Leben retten und Zeit und Kosten sparen.

ACHTUNG



GEFAHR DURCH BEWEGLICHE TEILE

Die Nichtbeachtung dieser Anweisungen kann zu schweren oder tödlichen Verletzungen führen.

So lassen sich Verletzungen an den Händen und Fingern vermeiden:

- Während der Installation, des Betriebs und beim Ab- und Aufspulen den Kontakt mit dem Drahtseil, der Öse, dem Haken und der Seilführung vermeiden.
- Vorsicht beim Umgang mit Haken und Drahtseil während des Spulvorgangs!
- Beim Auf- und Abspulen, während der Installation oder während des Betriebs immer den mitgelieferten Hakengurt verwenden, um Verletzungen an den Händen und Fingern zu vermeiden.

ACHTUNG



STURZ- ODER QUETSCHGEFAHR

Die Nichtbeachtung dieser Anweisungen kann zu schweren oder tödlichen Verletzungen führen.

- Nicht als Hebevorrichtung oder zum Aufhängen einer Last verwenden.
- Nicht als Lift oder zur Beförderung von Personen verwenden.

VORSICHT

GEFAHR DURCH BEWEGLICHE TEILE

Die Nichtbeachtung dieser Anweisungen kann zu leichten bis mäßigen Verletzungen führen.

Allgemeine Sicherheitsmaßnahmen:

- Machen Sie sich stets mit der Winde vertraut: Nehmen Sie sich die Zeit, um sich anhand der im Lieferumfang enthaltenen Installations- und Bedienungsanweisungen sowie der Richtlinien zur Windentechnik mit der Funktionsweise und dem Windenbetrieb vollständig vertraut zu machen.
- Nur Personen, die mindestens 16 Jahre alt sind, dürfen diese Winde in Betrieb nehmen.
- Winde niemals unter Alkohol-, Drogen- oder Medikamenteneinfluss in Betrieb nehmen.
- Die Nennkapazität der Winde bzw. des Drahtseils nicht überschreiten. Zur Reduzierung der Last sind eine Umlenkrolle und ein zweifach geschertes Seil zu verwenden.

Sicherheitsmaßnahmen bei der Installation:

- Die Befestigungsstelle sollte immer fest genug sein, um der maximalen Nennleistung der Winde standhalten zu können.
- Nur vom Hersteller genehmigte Schalter, Fernsteuerungen, Zubehörteile und Installationskomponenten verwenden.
- Nur hochwertige Metallteile (mind. Grade 5) und keine Schweißbolzen oder Bolzen verwenden, die länger als die vom Hersteller gelieferten Teile sind.
- Bei der Installation sollten die Montage und Befestigung von Haken und Öse immer vor der Verdrahtung der Winde erfolgen.
- Seilführung immer so positionieren, dass das Warnetikett nach oben zeigt.
- Das Drahtseil muss immer entsprechend den Rotationsangaben auf dem Trommelaufkleber aufgespult werden. Für die Funktion der Automatikbremse (wenn vorhanden) und für die richtige Ausrichtung bei der Installation erforderlich.
- Drahtseil vor Inbetriebnahme immer dehnen und unter Last neu aufspulen. Ein fest aufgespultes Drahtseil reduziert das Risiko, dass sich die Drahtseillagen lockern und hängen bleiben oder Schäden verursachen.

Sicherheitsmaßnahmen beim Windenbetrieb:

- Vor Inbetriebnahme der Winde immer die Montage der Winde und den Zustand des Drahtseils prüfen. Ausgefranzte, geknickte oder beschädigte Drahtseile müssen umgehend ausgetauscht werden. Eine lockere oder unzureichende Windeninstallation muss umgehend behoben werden.
- Drahtseil niemals am Drahtseil einhaken. Dadurch wird das Drahtseil beschädigt. Immer eine Kette, ein Drahtseil oder eine sonstige Schutzvorrichtung (z.B. für Bäume) mit dem Anker verwenden.
- Vor Inbetriebnahme der Winde sind alle Objekte zu entfernen, die den sicheren Windenbetrieb beeinträchtigen könnten.
- Nehmen Sie sich Zeit beim Abspannen zur Vorbereitung des Aufspulvorgangs.
- Sicherstellen, dass der gewählte Anker der Last standhalten kann und dass weder der Riemen noch die Kette verrutschen können.
- Kupplung bei belasteter Winde, gespanntem Seil oder sich bewegender Seiltrommel nicht ein- oder austrasten lassen.
- Beim Abspannen immer möglichst viel Drahtseil abspulen. Seil zweifach scheren oder weit entfernten Ankerpunkt wählen.
- Winde niemals mit weniger als 5 Drahtseilwicklungen um die Trommel herum in Betrieb nehmen. Das Seil könnte sich von der Trommel lösen.
- Während des Betriebs Abstand von Drahtseil und Last halten.
- Niemals Seil oder Haken berühren, wenn diese unter Spannung stehen.
- Während des Windenbetriebs weder Drahtseil noch Haken berühren, oder wenn jemand anderes die Steuerung der Winde übernommen hat.
- Bei angeschlossener Fernsteuerung weder Drahtseil noch Haken berühren.
- Abstand zum Drahtseil und der Last halten und andere Person während des Windenbetriebs fern halten.
- Bedienpersonal und in der Nähe befindliche Personen müssen sich der Stabilität von Fahrzeug und Last während des Windenbetriebs bewusst sein.
- Fernsteuerungskabel immer von der Trommel, dem Drahtseil und beim Abspannen fern halten. Auf rissige, geknickte oder ausgefranzte Drähte oder lockere Anschlüsse prüfen. Bei Beschädigung ersetzen.

Sicherheitsmaßnahmen – Fortsetzung

VORSICHT



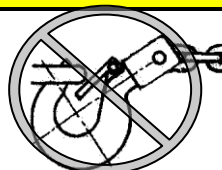
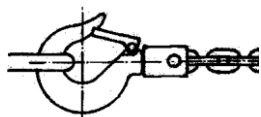
SCHNITTVERLETZUNGS- UND VERBRENNUNGSGEFAHR

Die Nichtbeachtung dieser Anweisungen kann zu leichten oder mäßigen Verletzungen führen.

So lassen sich Verletzungen an den Händen und Fingern vermeiden:

- Bei der Handhabung des Drahtseils **stets** schwere Lederhandschuhe tragen.
- Drahtseil **nie** durch die Hände gleiten lassen.
- Während des Windenbetriebs und nach Verwendung der Winde **immer** auf möglicherweise heiße Flächen in der Nähe des Windenmotors, der Trommel oder des Drahtseils achten.

VORSICHT



Gefahr durch bewegliche Teile

Die Nichtbeachtung dieser Anweisungen kann zu leichten bis mäßigen Verletzungen führen.

- Nie die Hakenspitze oder den Riegel belasten. Nur die Hakenmitte belasten.
- Verworfenen Haken bzw. Haken mit einer verbreiterten Durchlassöffnung nicht verwenden.

HINWEIS

SO LASSEN SICH SCHÄDEN AN DER WINDE UND AN DEN GERÄTEN VERMEIDEN:

- Das Einziehen des Drahtseils von der Seite ist zu vermeiden, da sich das Seil an einem Ende der Trommel ansammeln kann. Bei Nichtbeachtung dieser Anweisung können Schäden am Drahtseil oder der Winde entstehen.
- Immer darauf achten, dass die Kupplung vollkommen ein- oder ausgerastet ist.
- Winde niemals zum Schleppen anderer Fahrzeuge verwenden. Schocklasten können die Leistungsfähigkeit des Drahtseils und der Winde kurzzeitig überschreiten.
- Immer darauf achten, dass das Chassis bei der Verankerung des Fahrzeugs während des Windenbetriebs nicht beschädigt wird.
- Drahtseil unter Last immer nur langsam einziehen. Schocklasten können die Leistungsfähigkeit des Drahtseils und der Winde kurzzeitig überschreiten.
- Winde nicht zur Sicherung der Last während des Transports verwenden.
- Winde niemals in Wasser eintauchen.
- Winde an einem geschützten, sauberen, trockenen Ort lagern.

Bestellnummern und Anschlüsse der WARN 4700

BESTELLNUMMERN

94700

12-V-Gleichstrom-Nutzwinde (Nr. 4700)

94710

12-V-Gleichstrom-Nutzwinde (Nr. 4700) – International

Einzelteile

Die WARN® Nutzwinde 4700 besteht aus den folgenden Hauptkomponenten.



1. WARN-Winde 4700	2. Fernschalter mit 3,7 m langem Kabel
3. GuBseilfenster	4. Zwei 1,8 m lange Kabel (6 GA)
5. Riegel und Hakengurt	6. Montageteile

Technische Daten der WARN-Winde 4700

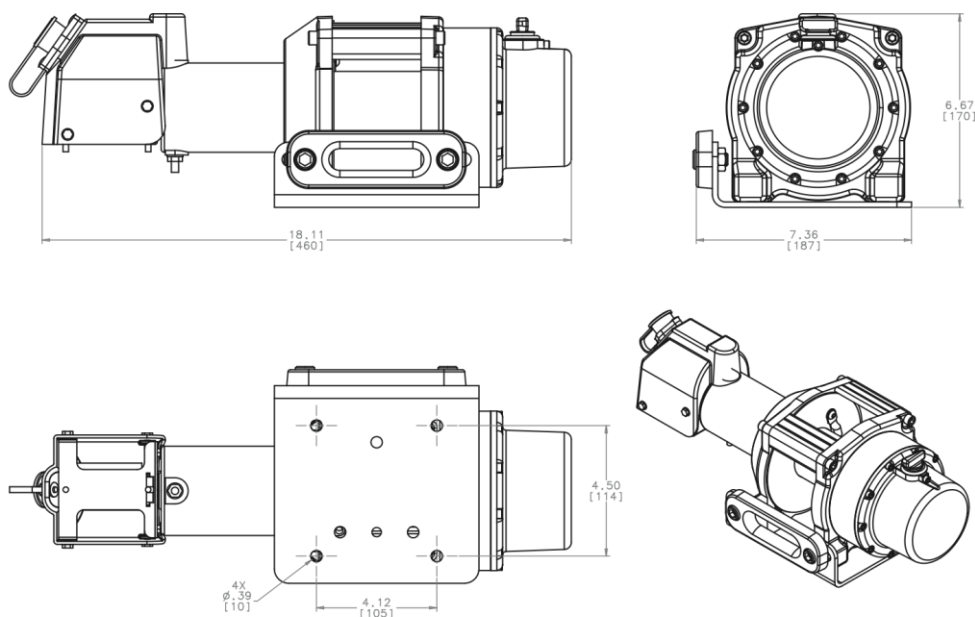
LEISTUNGSMERKMALE			
Zugkapazität	2.130 kg	Bremse	Dynamische und mechanische Bremse
Schalter	Fernschalter mit 3,7 m langem Kabel	Garantie	Eingeschränkte Garantie für 1 Jahr
Motor	Dauermagnet	Drahtseil	6,35 mm dick und 18,3 m lang
PS	1,9 PS – 7,5 cm Durchmesser	Trommeldurchmesser	6,35 cm
Leistung	12 Volt Gleichspannung	Seilführung	Gußseifenster
Getriebe:	Dreistufiges Planetenradgetriebe	Anordnung der Montageöffnungen	4 Löcher
Übersetzungsverhältnis	216:01	Elektrische Kabel	Zwei 1,8 m lange Kabel (6 GA)
Kupplung	Multidirektionale Kupplung (Hebel)	Gewicht	19,1 kg

Leistungsdaten der WARN-Winde 4700

LEISTUNGSDATEN: 4700

LEISTUNGSDATEN: 4700					Zugkraft je Seillage		
Last		Strom	Geschwindigkeit		Lage	lbs.	kg
Lbs.	Kg	Amps	Fuß / min	M/min			
0	0	47	17.9	5.5	1	4700	2130
1000	453.6	82	12.8	3.9	2	3980	1800
2000	907.2	150	10.8	3.3	3	3450	1560
3000	1360.8	212	8.1	2.5	4	3041	1380
4000	1814.4	277	5.8	1.8	5	2720	1230
4700	2132	322	4.3	1.3			

Abmessungen der WARN-Winde 4700



Installation der Winde an einem festen Standort

! VORSICHT

Gefahr durch Geräteversagen

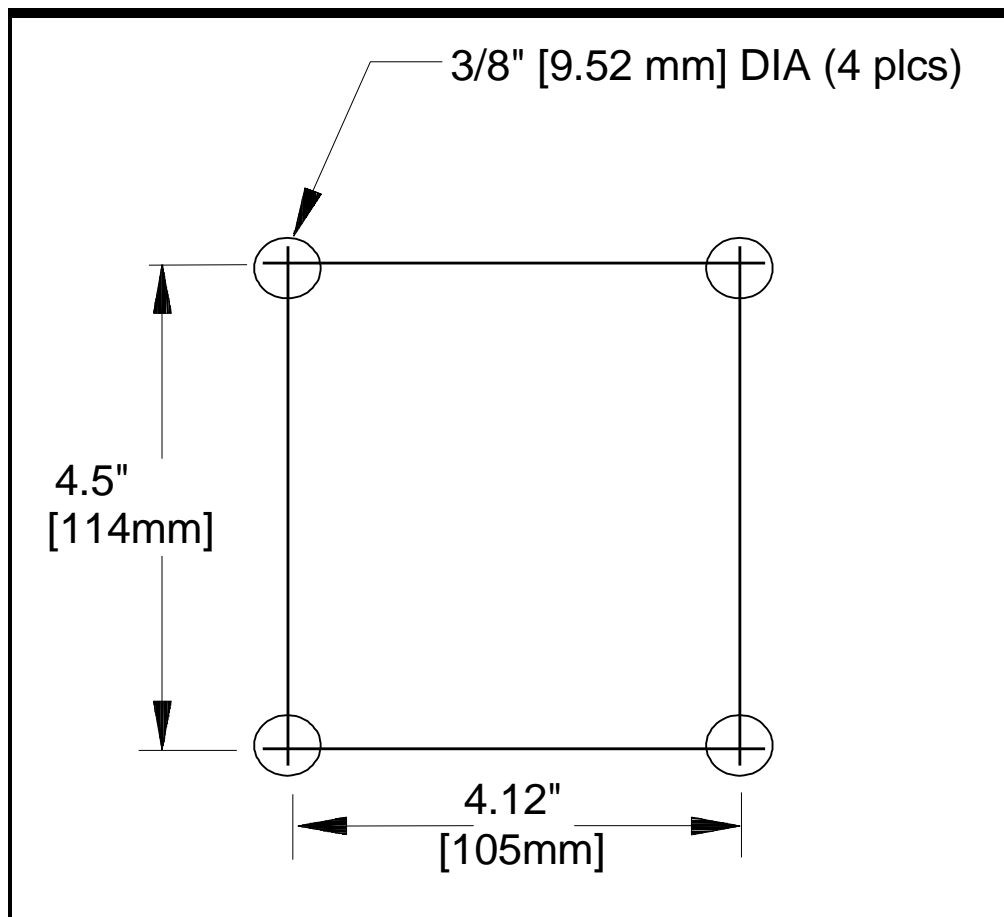
Die Nichtbeachtung dieser Anweisungen kann zu leichten oder mäßigen Verletzungen führen.

- Wählen Sie einen Montageplatz, der ausreichend stabil ist, um den Lasten standzuhalten, die Sie ziehen möchten.

Die 4700 kann unter Verwendung der Montageöffnungen für die Winde an einem festen Standort angebracht werden. Wählen Sie zunächst einen Montageplatz, der ausreichend stabil ist, um den Lasten standzuhalten, die Sie ziehen möchten.

Bohren Sie nun 4 Löcher gemäß den Angaben in der Abbildung unten.

Anordnung der Montageöffnungen



Installation der Winde an einem festen Standort – Fortsetzung

Befestigen Sie die Winde immer wie folgt:

- an einer flachen, sicheren Stelle (mind. 4,8 mm dicker Stahl).
- mit drei 3/8-Zoll-Sicherungsscheiben.
- mit drei 3/8-16 x 1-Zoll-Sechskant-Kopfschrauben (SAE Grade 5 oder besser).
- mit auf 41-47 Nm festgezogenen Schrauben.

Die Schrauben müssen u.U. je nach Dicke des Materials, an dem die Winde angebracht werden soll, länger als oben angegeben sein.

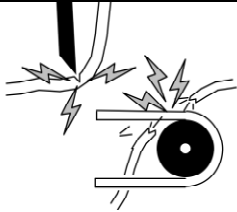
Verkabelung



ACHTUNG

Elektroschockgefahr

Die Nichtbeachtung dieser Anweisungen kann zu schweren oder tödlichen Verletzungen führen.



- Verlegen Sie keine Kabel und Drähte über scharfe Kanten.
- Verlegen Sie keine Kabel und Drähte durch oder in der Nähe von beweglichen Teilen.
- Lesen und beachten Sie alle Anweisungen zur Verkabelung in der Bedienungsanleitung.
- Isolieren und schützen Sie alle frei liegenden Kabel und elektrischen Anschlüsse.

- Installieren Sie das Batteriekabel mit der roten Klemme am positiven Anschluss und der schwarzen Klemme am negativen Anschluss der Batterie.
- Achten Sie darauf, dass alle Anschlüsse sauber sind und fest sitzen.

Vor Inbetriebnahme der Winde sind folgende Punkte zu prüfen:

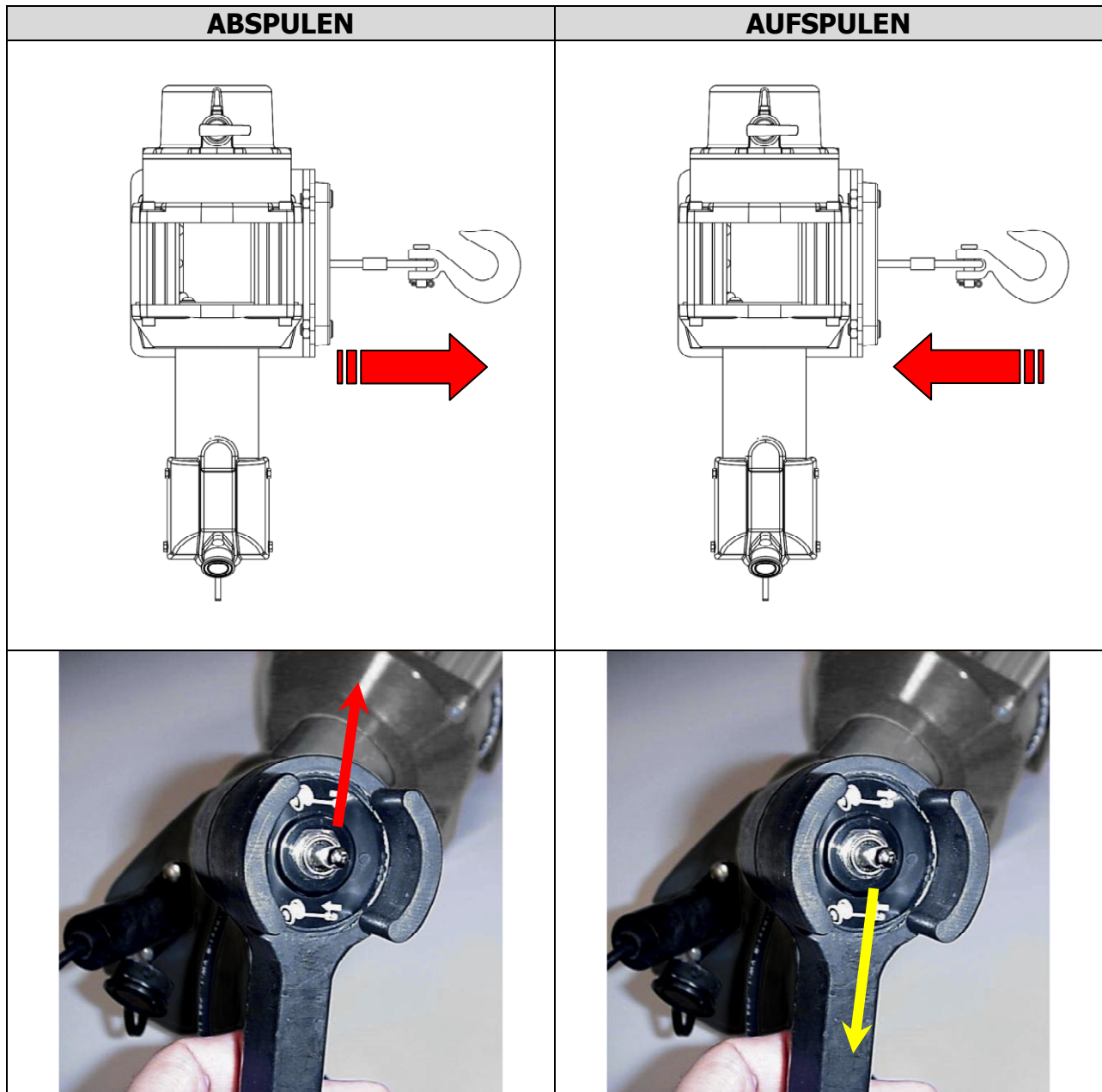
- Die Verkabelung aller Komponenten wurde richtig vorgenommen.
- Es liegen keine Kabel oder Anschlussklemmen frei. Alle frei liegenden Stellen sind mit Manschetten, Isolationsmaterial, Schrumpffolie oder Klebeband abgedeckt.

Bedienungsanleitung

VERWENDUNG DES HANDSTEUERGERÄTS (FERNSTEUERUNG)

Das Handsteuergerät für die Fernsteuerung ist fest mit der Winde verdrahtet und kann an einem von der Winde entfernt liegenden Ort oder mit dem an der Trägerplatte angeschlossenen Steuergerät in Betrieb genommen werden.

Drücken Sie auf die schwarze Taste, um das Drahtseil von der Trommel zu spulen. Drücken Sie auf die weiße Taste, um das Drahtseil auf die Trommel zu spulen.



KUPPLUNGSBETRIEB

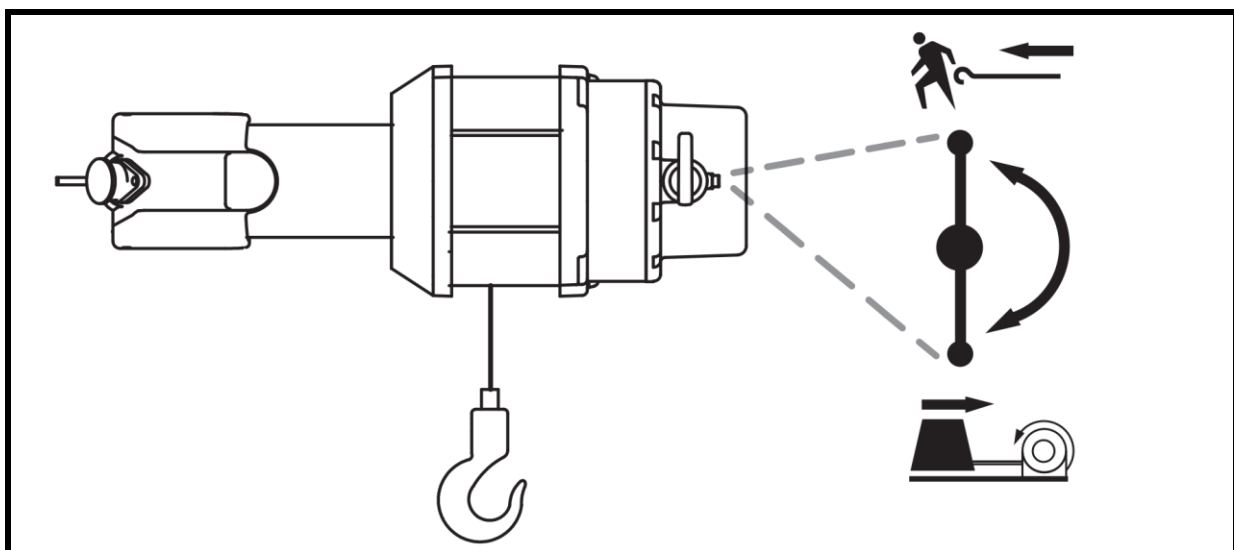
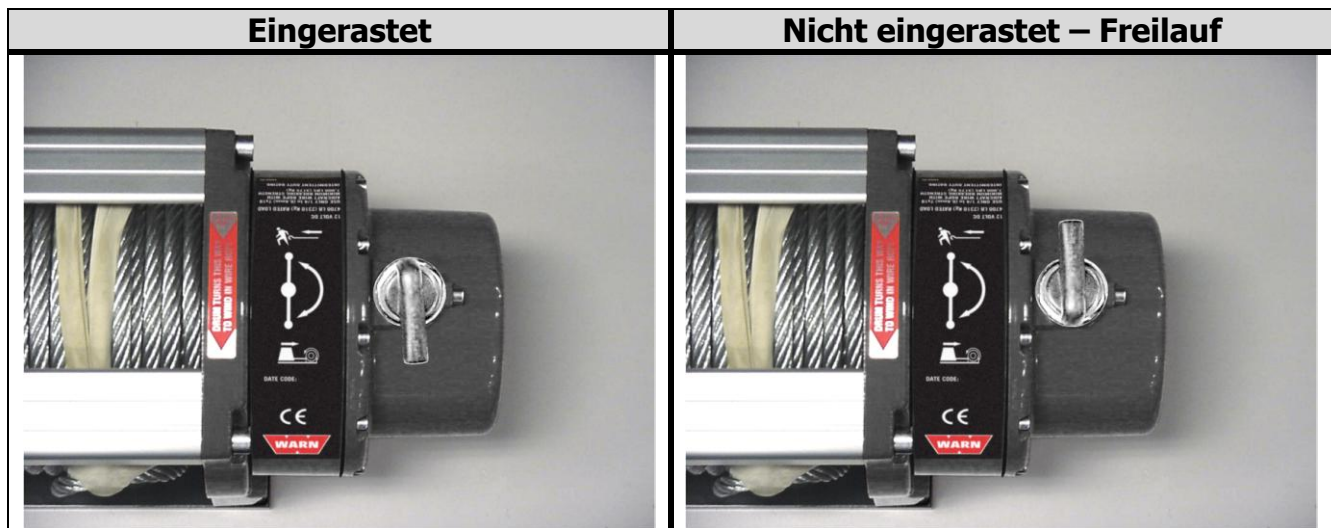
ACHTUNG

Gefahr einer Windenfehlfunktion

Die Nichtbeachtung dieser Anweisungen kann zu Verletzungen oder Sachschäden führen.

- Die Kupplung darf bei belasteter Winde oder belastetem Drahtseil nie ein- oder ausgerastet werden.

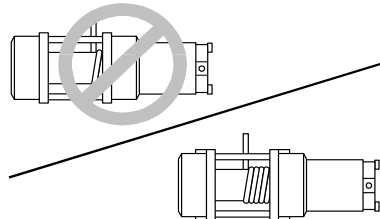
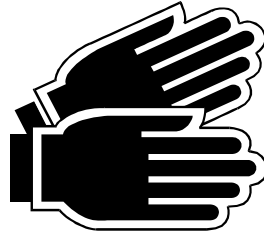
Bei eingerasteter Kupplung ist das Getriebe mit der Seiltrommel verbunden. Unter Umständen wird jetzt schon Kraft vom Windenmotor übertragen. Im Leerlauf (Seilfreilauf) besteht keine Verbindung zwischen dem Getriebe und der Seiltrommel. Die Trommel dreht sich somit ungehindert. Der Hebel auf dem Motor steuert die Kupplungsposition. Die Kupplung sollte über den Hebel immer nur voll eingerastet sein oder sich ungehindert im Leerlauf befinden. Nur so können Schäden vermieden werden.



ABSPULEN

Beim Freilauf handelt es sich generell um die schnellste und einfachste Methode, das Drahtseil abzuspuhlen. Bevor das Drahtseil im Freilauf von der Winde gespult wird, sollte so viel Seil abgerollt werden, dass jegliche Spannung vor Ausrasten der Kupplung entfernt wird. Spulen Sie nun per Hand genug Seil für den Windenbetrieb ab.

VORSICHT



Verletzungsgefahr

Die Nichtbeachtung dieser Anweisungen kann zu leichten oder mäßigen Verletzungen führen.

- Tragen Sie bei der Handhabung des Drahtseils stets schwere Lederhandschuhe.
- Der Windenbetrieb mit weniger als 5 Drahtseilwicklungen um die Trommel wird nicht empfohlen.

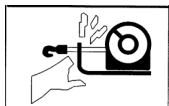
DEHNUNG DES DRAHTSEILS

Die Lebensdauer des Drahtseils ist direkt proportional zur Seilpflege und Einsatzhäufigkeit. Beim ersten Einsatz muss ein neues Drahtseil unter einer Last von mindestens 227 kg auf die Trommel gespult werden. Spulen Sie das Drahtseil bis auf 5 Umwicklungen von der Trommel und ziehen Sie das Seil mit einer Last von mindestens 227 kg ein. Dadurch wird das neue Drahtseil gedehnt und eine gute Umwicklung der Trommel gewährleistet. Bei Nichtbeachtung dieser Anweisung können die äußeren Wickelschichten die darunter liegenden Schichten und Wicklungen belasten und das Drahtseil beschädigen.

ACHTUNG

Gefahr durch bewegliche Teile

Die Nichtbeachtung dieser Anweisungen kann zu schweren oder tödlichen Verletzungen führen.



- Während der Installation, des Betriebs und beim Ab- und Aufspulen den Kontakt mit dem Drahtseil, der Öse, dem Haken und der Seilführung vermeiden.
- Beim Auf- und Abspulen, während der Installation oder während des Betriebs immer den mitgelieferten Hakengurt verwenden, um Verletzungen an den Händen und Fingern zu vermeiden.

AUFSPULEN UNTER LAST

- ❑ Das Drahtseil muss immer entsprechend den Angaben auf dem Windenaufkleber von unten auf die Trommel aufgespult werden.
- ❑ Ziehen Sie das Drahtseil gleichmäßig ein und legen Sie es fest um die Trommel. Dadurch wird verhindert, dass die äußeren Wickelschichten die darunter liegenden Schichten und Wicklungen und somit das Drahtseil beschädigen.
- ❑ Vermeiden Sie Stoßbelastungen beim Spulen, indem Sie ab und zu den Steuerschalter verwenden, um lockere Seilabschnitte einzuziehen. Stoßbelastungen können die Nennwerte der Winde und des Drahtseils kurzzeitig weit überschreiten.

AUFSPULEN OHNE LAST

- ❑ **Mit Unterstützung:** Lassen Sie das Hilfspersonal den Haken mit einem Hakengurt halten, wobei diese Person das Seil ohne Unterbrechung und möglichst stark spannt. Unter Aufrechterhaltung der Spannung sollte diese Person nun auf die Winde zugehen, während Sie das Drahtseil unter Verwendung des Steuerschalters aufspulen. Lassen Sie den Schalter los, wenn der Haken mindestens 1,2 m von der Führungsöffnung entfernt ist. Spulen Sie nun zu Lagerzwecken das restliche Seil auf.
- ❑ **Ohne Unterstützung:** Legen Sie das Drahtseil so, dass es beim Aufspulen weder geknickt wird oder hängen bleiben kann. Vergewissern Sie sich, dass die Seillagen um die Trommel fest und gleichmäßig angeordnet sind. Spulen Sie so viel Seil auf, bis die nächste Lage um die Trommel voll ist. Ziehen Sie diese Seillage fest und gerade. Wiederholen Sie diesen Vorgang, bis der Haken mindestens 1,2 m von der Führungsöffnung entfernt ist. Spulen Sie nun zu Lagerzwecken das restliche Seil auf.

AUFSPULEN DES RESTSEILS ZU LAGERZWECKEN

Vermeiden Sie den Kontakt mit dem Drahtseil, Haken und der Öffnung der Seilführung. Beim Spulen ohne Last ist immer ein Riemen mit dem Haken zu verwenden. Ziehen Sie das restliche Seil behutsam ein und entfernen Sie lockere Wicklungen durch langsame Windenbewegungen mit dem Steuerschalter. Befestigen Sie den Haken an einem geeigneten Punkt in der Nähe der Winde. Achten Sie darauf, dass das Seil dabei nicht zu fest angezogen wird, da sonst Schäden am Drahtseil oder an der Hakenverankerung entstehen können.

ABSPANNEN

- ❑ Spulen Sie bei der Vorbereitung von Abspannaufgaben immer möglichst viel Drahtseil ab. Wählen Sie einen Ankerpunkt, der möglichst weit entfernt liegt. Dadurch erhält die Winde ihre größte Zugkraft.
- ❑ Beim Abspannen mit einem doppelten Seil und einer Umlenkrolle wird die Belastung der Winde auf die Hälfte reduziert, ohne dass die Abspulgeschwindigkeit dadurch wesentlich beeinträchtigt wird.
- ❑ Natürliche Ankerpunkte wie Bäume, Baumstümpfe und Felsen bieten sich (wenn vorhanden) besonders an. Bringen Sie die Kette, das Drahtseil oder eine sonstige Schutzvorrichtung (z.B. für Bäume) möglichst weit unten um den Ankerpunkt herum an, damit der Anker nicht nach unten gezogen wird. Wenn sich mehrere Ankerpunkte anbieten, die jedoch einzeln nicht stark genug wären, können diese einzelnen Anker auch zusammengebunden eingesetzt werden.

ÜBERLASTUNG/ÜBERHITZUNG

Die Winde ist für Aussetzbetrieb vorgesehen. Sie darf nicht eingesetzt werden, wenn der Motor auf eine niedrige Drehzahl geschaltet wird. Sinkt die Drehzahl, so dass Gefahr besteht, dass der Motor bald stehen bleibt, kann sich die Winde sehr schnell aufheizen und den Motor beschädigen. Die Abspannung mit zwei Seilen reduziert die Stromaufnahme vom Motor und gewährleistet längere Betriebsintervalle (siehe Abschnitt „Abspannen“).

Wartung und Garantie

WARTUNG

- Die Winde muss nicht geschmiert werden.
- Prüfen Sie das Drahtseil vor und nach dem Windenbetrieb. Ersetzen Sie das Drahtseil bei Beschädigung durch ein neues Seil.

GARANTIE

(siehe Garantieblatt im Lieferumfang der Winde)

- oder -

Setzen Sie sich bei verlorenem Garantieblatt mit Warn unter der folgenden Anschrift in Verbindung:

**Warn Industries, Inc.
Customer Service Dept.
12900 SE Capps Road
Clackamas, Oregon 97015-8903, USA.**

USA:

Tel.: +1 503.722.1200 oder +1 800.543.9276 (nur USA)

Fax: +1 503.722.3000

International:

Tel.: +1 503.722.3008

Fax: +1 503.722.3005

© 2010 Copyright Warn Industries, Inc. All rights reserved.




MANUALE D'USO DEL VERRICELLO
Verricello multiuso WARN® 4700
Numero Pezzo: 94700, 94710



La sicurezza personale e quella delle persone circostanti è molto importante. Per aiutare a prendere decisioni informate riguardo alla sicurezza, abbiamo fornito istruzioni per l'installazione e l'uso, oltre ad altre informazioni, tramite le etichette e il presente manuale. Tali informazioni segnalano potenziali rischi di lesione alla propria persona e ad altri. È impossibile mettere in guardia su tutti i rischi potenziali associati con questo prodotto e l'utente deve sempre esercitare il proprio buon senso.

L'INSTALLAZIONE E USO NEGLIGENTI DEL VERRICELLO POSSONO PROVOCARE LESIONI GRAVI O DANNEGGIARE L'APPARECCHIATURA. PRIMA DI INSTALLARE E UTILIZZARE QUESTO PRODOTTO, LEGGERE E COMPRENDERE TUTTE LE PRECAUZIONI DI SICUREZZA E LE ISTRUZIONI OPERATIVE.

Il manuale identifica pericoli potenziali e contiene importanti messaggi per aiutare l'utente e altri a evitare lesioni gravi o la morte. **AVVERTENZA** e **ATTENZIONE** sono segnalazioni indicative del livello di pericolo. Le segnalazioni indicano quanto segue:

 **AVVERTENZA** indica un pericolo che *potrebbe* causare lesioni gravi o la morte, se non vengono seguiti i consigli forniti.

 **ATTENZIONE** indica un pericolo che *può* causare lesioni leggere o moderate, se non vengono seguiti i consigli forniti.

Il manuale usa **AVVISO** per richiamare l'attenzione su importanti informazioni meccaniche e **Nota**: per sottolineare informazioni di carattere generale che richiedono particolare attenzione.

Descrizione del prodotto: Verricello multiuso WARN® 4700

Il verricello multiuso WARN® 4700 è un potente strumento di trazione. Questo verricello compatto alimentato da corrente alternata a 12 V ha una potenza di trazione di 4.700 libbre/2.130 kg.

L'unità possiede un interruttore di comando a distanza per l'accensione e lo spegnimento ed è dotata di 60 piedi (18,3 m) di fune metallica da 1/4 di pollice (6,35 mm) con gancio di sicurezza. La frizione a svolgimento libero è in dotazione standard.

Introduzione

Grazie per avere scelto il verricello WARN® in risposta alle vostre esigenze generali di trazione. Tutti i prodotti WARN® sono stati progettati e fabbricati per fornire molti anni d'uso senza problemi. Per riferimento futuro, annotate le informazioni seguenti:

Modello/Numero pezzo: _____ **Data di acquisto:** _____

Prima di iniziare

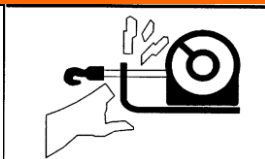
- Leggere completamente le istruzioni per familiarizzarsi con il processo d'installazione.
- Per accertarsi che il kit venga installato in modo corretto e sicuro, studiare tutte le note, le indicazioni di attenzione e le avvertenze.

Precauzioni per la sicurezza

Quelle che seguono sono istruzioni per la sicurezza che ogni operatore di verricelli deve conoscere. Oltre alle regole specifiche elencate qui, la regola più importante di tutte è – **USARE IL BUONSENSO**.

Alcuni minuti trascorsi a leggere queste regole possono rendere l'operatore consapevole di pratiche pericolose da evitare o di precauzioni da prendere per la sicurezza personale e quella degli altri. Esami frequenti e ispezioni periodiche dell'apparecchiatura, come pure l'osservanza coscienziosa delle norme di sicurezza, possono salvare la vita e far risparmiare tempo e denaro.

AVVERTENZA



PERICOLO DI IMPIGLIAMENTO NELLE PARTI IN MOVIMENTO

La mancata osservanza delle istruzioni può risultare in lesioni gravi o morte.

Per evitare lesioni alle mani o alle dita.

- Tenere **sempre** le mani lontano dalla fune metallica, dall'anello di aggancio, dal gancio e dall'apertura passacavo, sia durante l'installazione che durante il funzionamento e quando si avvolge o svolge la fune.
- Maneggiare **sempre** il gancio e la fune metallica con estrema cautela durante le operazioni di svolgimento.
- Per evitare lesioni alle mani o alle dita, usare **sempre** le cinghie a gancio in dotazione quando si avvolge o svolge la fune e durante l'installazione o il funzionamento.

AVVERTENZA



PERICOLO DI CADUTA O SCHIACCIAMENTO

La mancata osservanza delle istruzioni può risultare in lesioni gravi o morte.

- Non usare **mai** come argano sospeso o per tenere dei pesi in sospeso.
- Non usare **mai** per sollevare o trasportare persone.

ATTENZIONE

PERICOLO DI IMPIGLIAMENTO NELLE PARTI IN MOVIMENTO

La mancata osservanza delle presenti istruzioni può risultare in lesioni lievi o di entità moderata.

Sicurezza in generale:

- Familiarizzarsi **sempre** con il verricello: Impiegare il tempo necessario per leggere e assimilare completamente l'accluso manuale di installazione e funzionamento e la guida alle tecniche di base sull'uso dei verricelli, per familiarizzarsi con il verricello e il suo uso.
- Le persone di meno di 16 anni d'età non devono **mai** usare questo verricello.
- Non si deve **mai** usare il verricello sotto l'influsso di droghe, in stato di ebbrezza o sotto l'effetto di medicine.
- Non superare **mai** la capacità nominale del verricello o della corda. Per ridurre il carico di trazione raddoppiare la corda usando una pastecca.

Sicurezza in installazione:

- Scegliere **sempre** una posizione di installazione sufficientemente forte da sopportare la capacità massima di trazione del verricello.
- Usare **sempre** interruttori, comandi a distanza, accessori e componenti per l'installazione che sono approvati dalla fabbrica.
- Usare **sempre** articoli metallici di grado 5 o migliore, non saldare mai i bulloni e non usare mai bulloni più lunghi di quelli in dotazione dalla fabbrica.
- Durante l'installazione, completare **sempre** il montaggio del verricello e l'allacciamento del gancio al suo anello prima di effettuare il collegamento dei conduttori.
- Posizionare **sempre** il passacavo con l'etichetta di AVVERTENZA rivolta in alto.
- Avvolgere **sempre** la fune metallica sul tamburo come indicato dalla decalcomania di rotazione del tamburo sul verricello. Richiesto per il funzionamento del freno automatico (se in dotazione) e per il corretto orientamento d'installazione.
- Stirare **sempre** la fune metallica e riavvolgerla sotto carico prima dell'uso. Una fune metallica avvolta strettamente riduce il rischi di "legatura", cioè l'infilarsi della fune metallica in uno strato inferiore allentato, dove può impigliarsi in se stessa e danneggiarsi.

Sicurezza nell'uso del verricello:

- Prima di azionare il verricello, ispezionarne **sempre** l'installazione e controllare le condizioni della fune metallica. Una fune metallica sfrangiata, piegata o danneggiata deve essere sostituita immediatamente. Un'installazione del verricello allentata o danneggiata deve essere corretta immediatamente.
- Non agganciare **mai** la fune su se stessa. Così facendo si danneggia la fune metallica. Utilizzare sempre sull'ancoraggio una catena di aggancio, una fune metallica di aggancio o un elemento di protezione per tronchi d'albero.
- Prima di usare il verricello, togliere **sempre** qualsiasi oggetto che possa interferire con la sicurezza del suo funzionamento.
- Lavorare **sempre** senza fretta quando si prepara l'allestimento per usare il verricello.
- Accertarsi **sempre** che il punto di ancoraggio scelto sia capace di sopportare il carico e che la cinghia o catena usate non scivolino.
- Non innestare o staccare **mai** la frizione se il verricello è sotto carico, la fune metallica è in tensione o il suo tamburo si sta muovendo.
- Nell'allestire la fune, svolgere **sempre** la maggior lunghezza possibile. Raddoppiare la fune o scegliere un punto di ancoraggio lontano.
- Non usare **mai** il verricello in trazione con meno di 5 avvolgimenti di fune sul tamburo perché la fune potrebbe staccarsi dal tamburo.
- Durante l'uso, tenersi **sempre** distanti dalla fune metallica e dal carico .
- Non toccare **mai** la fune metallica o il gancio durante la trazione o sotto carico.
- Non toccare **mai** la fune metallica o il gancio mentre qualcun altro è in controllo dell'interruttore o durante le operazioni di trazione.
- Non toccare **mai** la fune metallica o il gancio quando il comando a distanza è inserito nel verricello.
- Quando si usa il verricello, tenersi **sempre** distanti dalla fune metallica e dal carico, e assicurarsi che gli altri stiano lontani.
- Richiedere **sempre** che l'operatore e chi sta assistendo siano consapevoli della stabilità del veicolo e/o carico che si sta traendo.
- Tenere **sempre** il cavo del comando a distanza lontano dal tamburo, dalla fune metallica e dall'imbracatura. Ispezionare per verificare che non ci siano conduttori tagliati, pinzati o sfrangiati o connessioni allentate. Sostituire, se danneggiato.

Precauzioni di sicurezza -- segue

ATTENZIONE



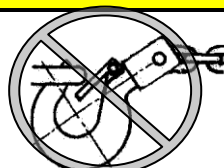
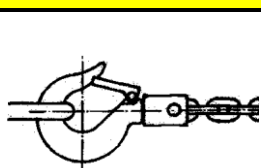
PERICOLO DI TAGLIO E BRUCIATURA

La mancata osservanza delle presenti istruzioni può risultare in lesioni lievi o di entità moderata.

Per evitare lesioni alle mani o alle dita:

- Durante la manipolazione della fune metallica, indossare **sempre** robusti guanti di pelle.
- **Non** far **mai** scivolare la fune metallica tra le mani.
- Essere **sempre** consapevoli della possibilità che ci siano superfici molto calde sul motore del verricello, sul tamburo o sulla fune metallica, durante o dopo l'uso del verricello.

ATTENZIONE



Pericolo di impigliamento nelle parti in movimento

La mancata osservanza delle presenti istruzioni può risultare in lesioni lievi o di entità moderata.

- Non porre mai il carico sulla punta del gancio o sull'elemento di chiusura. Porre il carico solo alla parte centrale del gancio.
- Non usare mai un gancio la cui apertura si sia allargata o la cui punta si sia piegata o torta.

AVVISO

EVITARE DANNI AL VERRICELLO E ALLE ATTREZZATURE

- Evitare **sempre** di tirare dallo stesso lato perché così facendo si accumula la fune metallica tutta su un'estremità del tamburo. Ciò può danneggiare la fune metallica o il verricello.
- Accertarsi **sempre** che la frizione sia completamente innestata o disinnestata.
- Non usare **mai** il verricello per trainare un altro veicolo. I carichi istantanei possono momentaneamente superare la capacità della fune metallica e del verricello.
- Fare **sempre** attenzione a non danneggiare il telaio quando si ancora il veicolo nel corso di un'operazione con il verricello.
- Non dare **mai** "strattoni" alla fune metallica sotto carico. I carichi istantanei possono momentaneamente superare la capacità della fune metallica o del verricello.
- Non utilizzare **mai** il verricello per fissare i carichi durante il trasporto.
- Non sommergere **mai** il verricello sott'acqua.
- Conservare **sempre** il verricello in un'area riparata, pulita e asciutta.

Numero pezzo e terminali cavo per il WARN 4700

Numero pezzo

94700	Verricello di servizio da 4700 libbre a 12 V c.c.
94710	Verricello di servizio 4700 libbre a 12 V c.c. per il mercato internazionale

Distinta pezzi

Il verricello multiuso WARN® 4700 è composto dai seguenti elementi principali.



1. Unità verricello WARN 4700	2. Interruttore a distanza con 12 piedi (3,7 m) di cavo
3. Guida; Cubia "a bocca"	4. 2 cavi da 6 piedi (1,8 m) di misura 6
5. Gancio a chiusura e cinghia del gancio	6. Predisposizione per il montaggio fisso

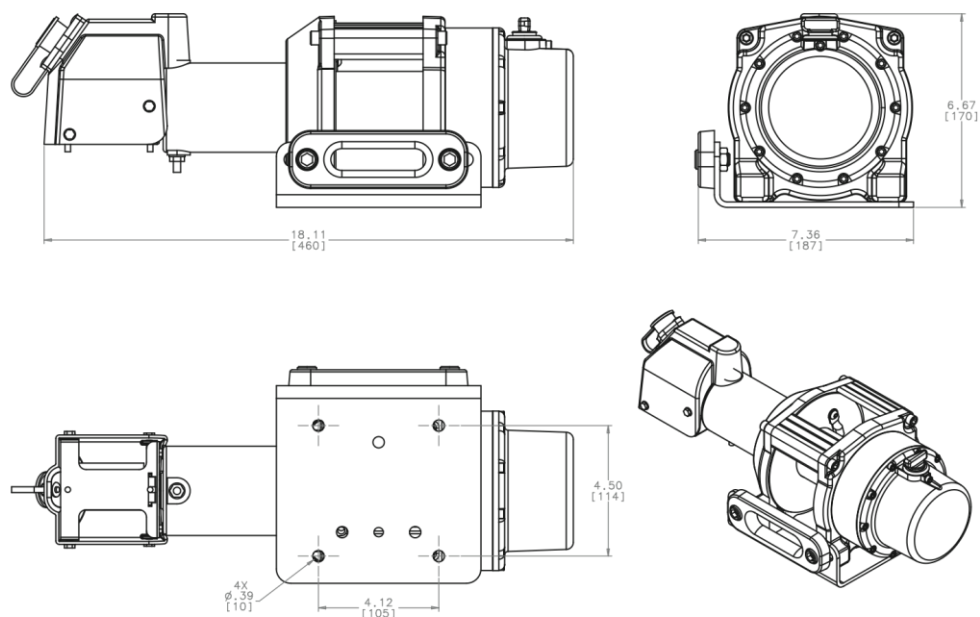
Dati tecnici del WARN 4700

CARATTERISTICHE			
Capacità di trazione	4700 libbre (2130 kg)	Freno	Frenata dinamica e meccanica
Tipo interruttore	Interruttore a distanza con 12 piedi (3,7 m) di cavo	Garanzia	Limitata di 1 anno
Motore	Magnete permanente	Fune metallica	1/4 di pollice X 60 piedi (6,35mm X 18,3 m)
HP	1,9 HP 3 pollici di diametro	Diametro tamburo	2,5 pollici (6,35 cm)
Alimentazione	12 V c.c.	Guida uscita cavo	Cubia "a bocca"
Treno ingranaggi	Planetario a 3 stadi	Disposizione fori	4 fori
Rapporto di trasmissione	216:01	Conduttori elettrici	2 cavi da 6 piedi (1,8 m) di misura 6
Frizione	Multidirezionale a leva	Peso	42 libbre (19,1 kg)

Dati di performance del WARN 4700

DATI DI PERFORMANCE 4700							
Carico		Corrente	Velocità		Forza di trazione secondo strato fune metallica		
Lbs.	Kg	Amps	Ft/min	M/min	Layer	Libbre	kg
0	0	47	17.9	5.5	1	4700	2130
1000	453.6	82	12.8	3.9	2	3980	1800
2000	907.2	150	10.8	3.3	3	3450	1560
3000	1360.8	212	8.1	2.5	4	3041	1380
4000	1814.4	277	5.8	1.8	5	2720	1230
4700	2132	322	4.3	1.3			

Dimensioni del WARN 4700



Installazione del verricello in posizione fissa

! ATTENZIONE

Pericoli derivanti da guasto del verricello

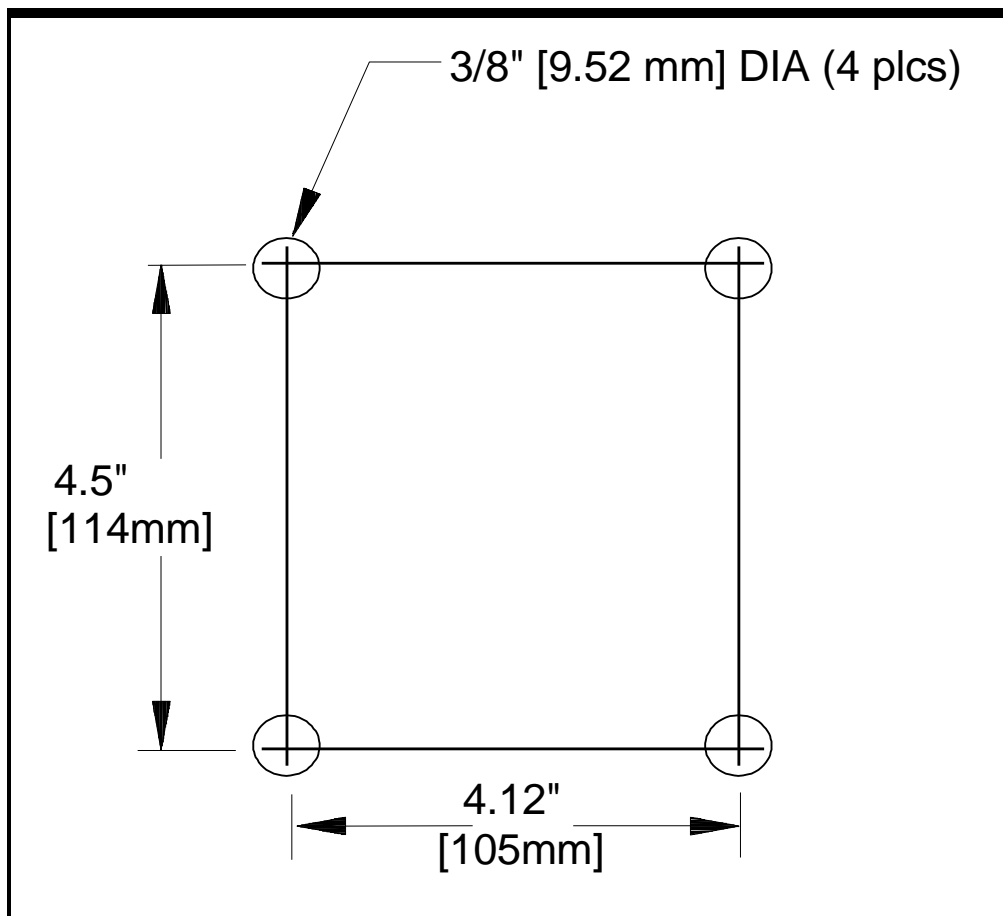
La mancata osservanza delle presenti istruzioni può risultare in lesioni lievi o di entità moderata.

- Scegliere sempre una posizione di installazione in grado di sopportare il carico previsto per il verricello.**

Il 4700 può essere montato in posizione fissa utilizzando lo schema di fori predisposto per l'unità del verricello. Per prima cosa, scegliere una posizione di installazione in grado di sopportare il carico previsto per il verricello.

Quindi praticare 4 fori secondo le dimensioni specificate nel disegno sottostante.

Disposizione dei fori sulla piastra di montaggio



Installazione del verricello in posizione fissa - segue

Per fissare il verricello in modo sicuro usare sempre:

- Una posizione piana e sicura su piastra di acciaio dello spessore minimo di 4,8 mm (3/16 di pollice).
- 4 rosette di sicurezza da 3/8 di pollice.
- 4 bulloni senza dado a testa esagonale 3/8-16 x 1 pollice di lunghezza, qualità 5 o migliore.
- Torsione di serraggio dei bulloni di installazione pari a 41-47 N-m (30-35 piedi-libbra).

Può rendersi necessario l'impiego di bulloni di lunghezza maggiore a quella specificata sopra se il verricello viene montato su di una struttura di spessore maggiore.

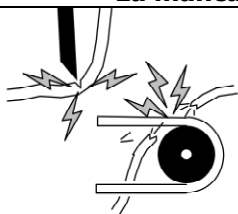
Installazione impianto



AVVERTENZA

Pericolo di scossa elettrica

La mancata osservanza delle istruzioni può risultare in lesioni gravi o morte.



- Non posizionare i cavi elettrici contro spigoli vivi.
- Non fare passare i cavi elettrici attraverso o in vicinanza di elementi in movimento.
- Leggere e osservare le istruzioni di impianto contenute nel manuale per l'operatore.
- Isolare e proteggere tutti i conduttori e i terminali elettrici esposti.

- Installare i cavi della batteria collegando il conduttore rosso al polo positivo della batteria e quello nero al polo negativo.
- Controllare che tutte le connessioni siano pulite e sicure.

Prima di usare il verricello, verificare quanto segue:

- Le connessioni dei vari elementi sono corrette.
- Non ci sono conduttori o terminali esposti; coprire eventuali punti esposti con piastre isolanti, protezioni da terminali, tubi per dissipatori di calore o nastro isolante.

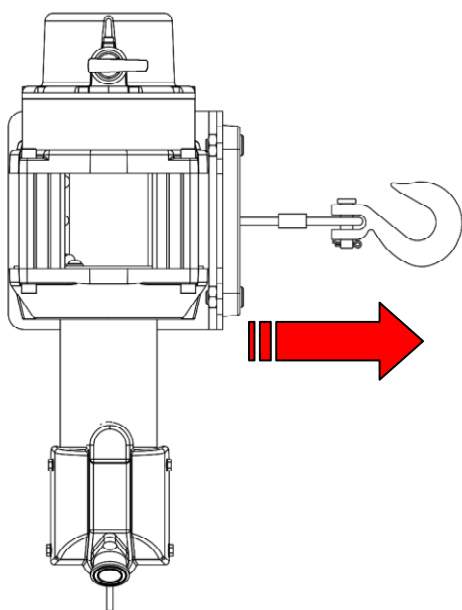
Istruzioni per l'uso

USO DEL TELECOMANDO PENSILE

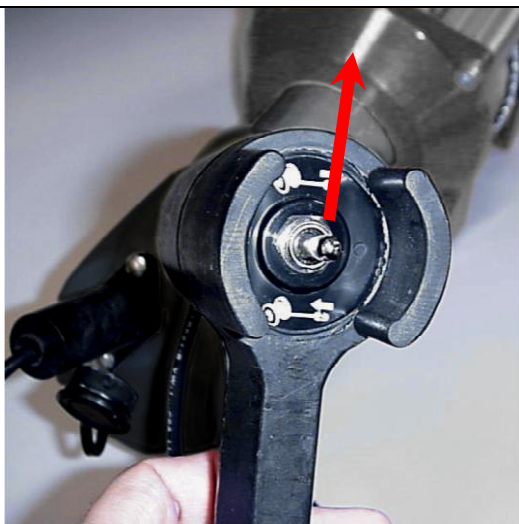
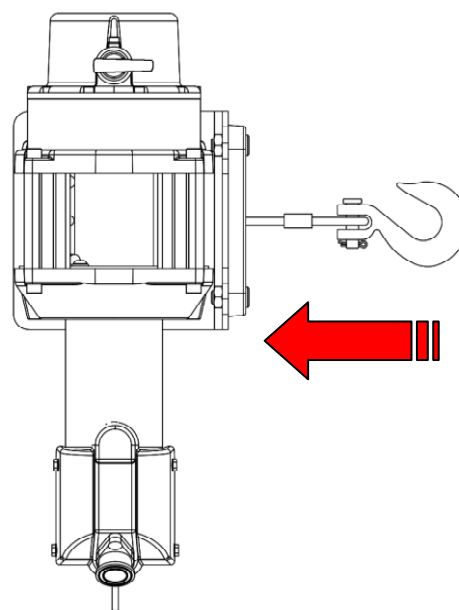
Il telecomando pensile è collegato al verricello con cavo fisso e può essere utilizzato a distanza dal verricello stesso o tramite cavo ancorato alla piastra di trasporto.

Per svolgere la fune metallica dal tamburo, premere il pulsante nero di accensione svolgimento; ovvero, premere il pulsante bianco di accensione avvolgimento per avvolgere la fune metallica sul tamburo.

ACCENSIONE SVOLGIMENTO



ACCENSIONE AVVOLGIMENTO



USO DELLA FRIZIONE



AVVERTENZA

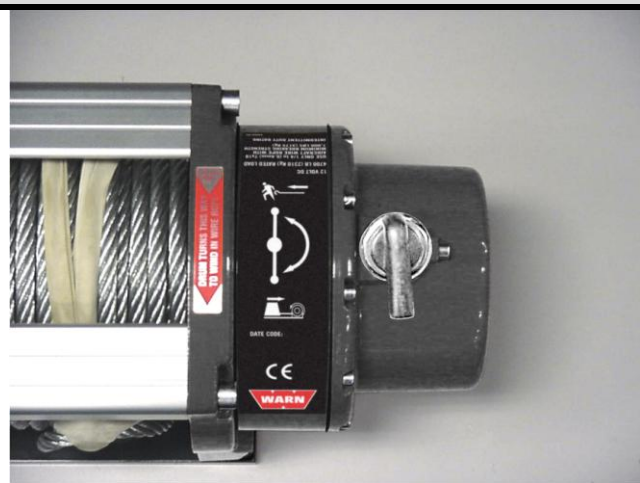
Pericoli derivanti dalla funzionalità del verricello

La mancata osservanza delle istruzioni può risultare in lesioni personali o danni alle cose.

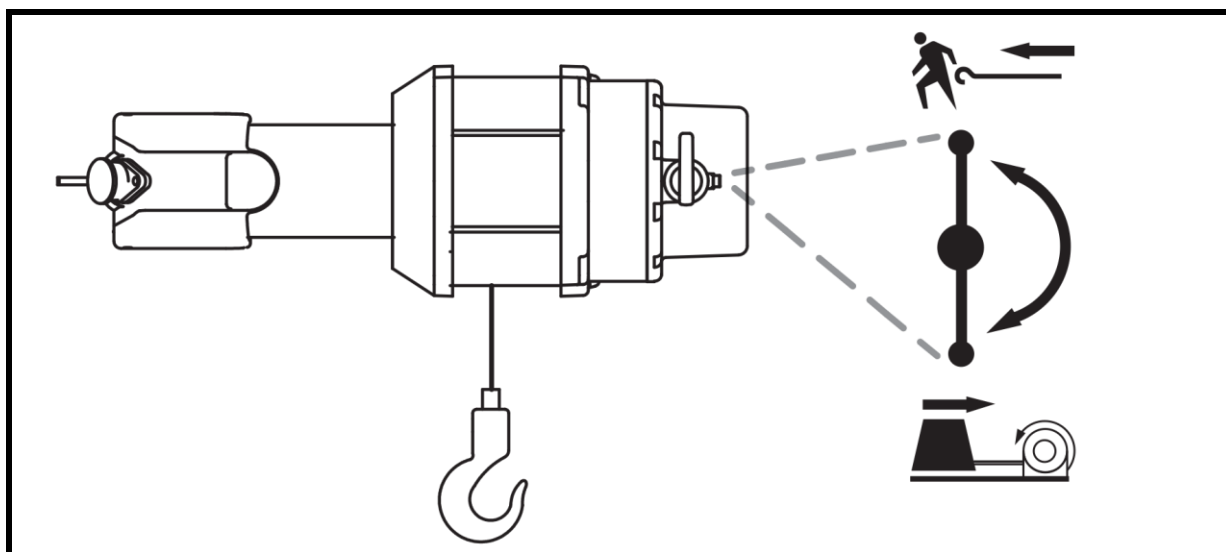
- Non innestare o disinnestare mai la frizione quando il verricello è sotto carico o la fune metallica è in tensione.**

Quando la frizione è innestata, l'ingranaggio è accoppiato con il tamburo della fune metallica ed è possibile trasferire potenza dal motore del verricello. Quando la frizione è in avvolgimento libero, l'ingranaggio e il tamburo della fune metallica non sono accoppiati, e il tamburo può ruotare liberamente. La posizione della frizione è controllata dalla leva apposita situata sulla parte alta del motore. Per evitare danni, è sempre necessario innestare o disinnestare completamente la leva della frizione.

Innestata



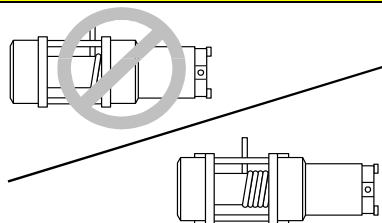
Disinnestata – svolgimento libero



SVOLGIMENTO

Lo svolgimento libero è in genere il modo più rapido e più facile per svolgere la fune metallica. Prima di svolgere liberamente la fune metallica dal verricello, e prima di disinnestare la frizione, far avanzare la fune verso l'esterno di quanto basta per eliminare eventuali tensioni presenti nella fune stessa. Quindi svolgere liberamente a mano la fune metallica del tanto necessario per l'operazione di sollevamento con il verricello.

ATTENZIONE



Pericolo di lesioni personali

La mancata osservanza delle presenti istruzioni può risultare in lesioni lievi o di entità moderata.

- Quando si maneggia la fune metallica, indossare sempre robusti guanti di pelle.**
- Non azionare mai il verricello con meno di 5 giri di fune metallica intorno al tamburo.**

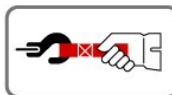
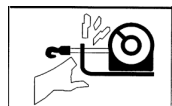
STIRAMENTO DELLA FUNE METALLICA

La durata di una fune metallica è determinata dall'uso e dalla cura con cui viene trattata. La prima volta che la si usa, la fune metallica deve essere avvolta sul tamburo con un carico minimo di 227 kg (500 libbre). Svolgere la fune metallica fino a che non rimangano 5 giri intorno al tamburo, quindi azionare la fune metallica tirandola verso l'interno con un carico di 227 kg (500 libbre) o più. Così facendo si stirerà la nuova fune metallica e si otterrà un avvolgimento corretto della fune intorno al tamburo. La mancata osservanza di questa procedura causerà la trafilatura degli strati esterni in quelli sottostanti, legando e danneggiando la fune metallica.

AVVERTENZA

Pericolo di impigliamento nelle parti in movimento

La mancata osservanza delle istruzioni può risultare in lesioni gravi o morte.



- Tenere **SEMPRE** le mani lontano dalla fune metallica, dall'anello di aggancio, dal gancio e dall'apertura passacavo, sia durante l'installazione che durante il funzionamento e quando si avvolge o svolge la fune.
- Per evitare lesioni alle mani o alle dita, usare **SEMPRE** le cinghie a gancio in dotazione quando si avvolge o svolge la fune e durante l'installazione o il funzionamento.

AVVOLGIMENTO CON CARICO

- ❑ La fune metallica deve sempre avvolgersi sul fondo del tamburo come indicato dalla decalcomania sul verricello.
- ❑ Azionare la fune metallica avvolgendola sul tamburo in modo uniforme e serrato. Ciò impedisce agli strati più esterni di fune avvolta di esercitare una tensione su quelli più interni, legando e danneggiando la fune metallica.
- ❑ Evitare carichi a strappo durante l'avvolgimento, servendosi a intermittenza dell'interruttore di comando per eliminare eventuali allentamenti della fune metallica. I carichi a strappo possono eccedere di molto i valori nominali del verricello e della fune metallica.

AVVOLGIMENTO SENZA CARICO

- ❑ **Assistito:** Chiedere alla persona che assiste di tenere il gancio, mediante la cinghia, applicando la tensione più uniforme possibile sulla fune metallica. Mantenendo la tensione, la persona che assiste deve avvicinarsi al verricello mentre l'operatore aziona l'interruttore di comando per avvolgere la fune metallica. Rilasciare l'interruttore quando il gancio si trova a un minimo di 1,2 m (4 piedi) dall'apertura della guida. Avvolgere l'eccedenza per la conservazione.
- ❑ **Senza assistenza:** Disporre la fune metallica che deve essere avvolta in modo che non si attorcigli o aggrovigli durante l'avvolgimento. Accertarsi che la fune metallica sul tamburo sia ben serrata e disposta a strati uniformi. Avvolgere una lunghezza di fune metallica sufficiente a completare tutto lo strato successivo sul tamburo. Stringere e spianare lo strato. Ripetere il procedimento finché il gancio si trovi a un minimo di 1,2 m (4 piedi) dall'apertura della guida. Avvolgere l'eccedenza per la conservazione.

AVVOLGIMENTO PER LA CONSERVAZIONE

Tenere le mani lontano dalla fune metallica, dal gancio e dall'apertura della guida. Per trattenere il gancio durante l'avvolgimento senza carico, usare sempre la sua cinghia apposita. Azionare con cautela tirando verso l'interno il resto della fune metallica, operando a scatti l'interruttore di comando per eliminare l'allentamento residuo. Fissare il gancio a un punto di ancoraggio idoneo vicino al verricello. Fare attenzione a non serrare eccessivamente la fune metallica, perché ciò potrebbe danneggiare la fune stessa o il punto di ancoraggio.

ALLESTIMENTO DELLA FUNE

- ❑ Nell'allestire la fune, svolgere la maggiore lunghezza possibile. Scegliere un punto di ancoraggio distante ma pratico; questo consente di ottenere la massima potenza di trazione.
- ❑ Un allestimento della fune a doppia linea con un blocco di presa riduce il carico sul verricello a metà, senza perdita significativa della velocità di avvolgimento.
- ❑ Se disponibili, gli ancoraggi naturali, quali alberi, ceppi e rocce sono i più comodi. Fissare la catena di aggancio, la fune metallica di aggancio o l'elemento di protezione per tronchi d'albero il più in basso possibile per evitare di tirare l'ancoraggio verso il basso. Se sono disponibili diversi punti di ancoraggio, ma questi non sono abbastanza robusti individualmente, si potrà fissare un cavo metallico o una catena di aggancio intorno a diversi punti di ancoraggio, per formarne uno robusto nell'insieme.

Istruzioni per l'uso - segue

SOVRACCARICO/SURRISCALDAMENTO

Questo verricello è classificato per servizio intermittente. Non dovrà essere utilizzato con il motore rallentato a un basso numero di giri. Quando il motore si avvicina alla velocità di stallo, si verifica un accumulo di calore molto rapido che può danneggiare il motore. L'uso di doppia fune riduce l'assorbimento di potenza da parte del motore e consente un uso continuo di maggiore durata (veder la sezione sul collegamento della fune).

Manutenzione e garanzia

MANUTENZIONE

- Il verricello non richiede mai lubrificazione per tutta la sua durata.
- Ispezionare la fune metallica prima e dopo ciascuna operazione di sollevamento con il verricello. Sostituirla se danneggiata.

GARANZIA

vedere il foglio separato allegato al verricello

-0-

in caso di foglio mancante, mettersi in contatto con:

**Warn Industries, Inc.
Customer Service Dept.
12900 SE Capps Rd
Clackamas, OR 97015-8903.**

Stati Uniti:

Telefono: 503.722.1200 o (800) 543-9276 (solo USA)

Fax: 503.722-3000

Altri Paesi:

Telefono: 503.722.3008

Fax: 503.722.3005

© 2010 Copyright Warn Industries, Inc. All rights reserved.





GEBRUIKERSHANDLEIDING VOOR DE LIER

WARN® 4700 Utiliteitslier

Onderdeelnummer: 94700, 94710



Uw veiligheid en de veiligheid van anderen is zeer belangrijk. Om u te helpen verstandige beslissingen over veiligheid te maken, hebben wij installatie- en bedieningsvoorschriften en andere informatie op de productlabels en in deze handleiding verschaft. Deze informatie maakt u attent op mogelijke gevaren die u en anderen letsel kan veroorzaken. Het is echter onmogelijk om u te wijzen op alle met dit product in verband staande mogelijke gevaren. Te allen tijde moet gezond verstand worden gebruikt.

ZORGELOZE LIERINSTALLATIE EN –BEDIENING KAN ERNSTIG LETSEL OF APPARATUURSCHADE TOT GEVOLG HEBBEN. ALLE VEILIGHEIDSMATREGELEN EN BEDIENINGSVOORSCHRIFTEN MOETEN WORDEN GELEZEN EN BEGREPEN, VOORDAT U DIT PRODUCT INSTALLEERT EN BEDIENT.

In deze handleiding zijn mogelijke gevaren en belangrijke veiligheidsinformatie opgenomen, die u en anderen helpen om persoonlijk letsel of fatale verwonding te vermijden. De woorden **WAARSCHUWING** en **OPGELET** signaleren de mate van gevaar. De betekenis van deze signaalwoorden is als volgt:

WAARSCHUWING signaleert een gevaar dat tot ernstig letsel of de dood *zou* kunnen leiden, indien u de adviezen niet volgt.

OPGELET signaleert een gevaar dat tot lichte of minder ernstig letsel *kan* leiden, indien u de adviezen niet volgt.

In deze handleiding wordt met het woord **ATTENTIE** gewezen op belangrijke technische informatie en met het woord **Opmerking:** op algemene informatie waarop u speciaal moet letten.

Productomschrijving: WARN® 4700 Utiliteitslier

De WARN® 4700 Utiliteitslier is een krachtig trekapparaat. Deze compacte lier, gevoed door een 12 V wisselstroomkrachtbron, bezit een trekcapaciteit van 1680 kg.

Enheten har en fjärrkontrollerad kontakt för in- och utspolning, ca 18,3 m 1/4"-lina, och en krok med säkerhetsspärr. En frispolande koppling är standardtillbehör.

Inleiding

Hartelijk dank voor uw keuze van WARN® voor wat u in een utiliteitslier nodig hebt. Alle WARN®-producten zijn ontworpen en worden vervaardigd voor jarenlange probleemloze werking. Noteer de onderstaande informatie voor toekomstig gebruik:

Model-/Onderdeelnummer: _____ **Aankoopdatum:** _____

Voordat u begint

- Lees de instructies in zijn geheel om uzelf met de installatieprocedure vertrouwd te maken.
- Neem alle Informatie-, Opgelet- en Waarschuwing-mededelingen door om te verzekeren dat de kit op de juiste en op veilige wijze geïnstalleerd wordt.

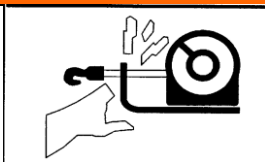
Veiligheidsmaatregelen

De volgende mededelingen zijn algemene veiligheidsmaatregelen, waarmee de gebruiker van de lier vertrouwd moet zijn. Nog belangrijker dan elke hier vermelde regel is echter de allerbelangrijkste regel: **GEBRUIK UW GEZONDE VERSTAND.**

Iedere gebruiker moet enkele minuten besteden aan het lezen van deze regels om op de hoogte te zijn van te vermijden gevaarlijke praktijken, en de nodige maatregelen te nemen voor zijn/haar veiligheid en de veiligheid van anderen. Door het toestel vaak na te zien en regelmatig te controleren en door alle veiligheidsregels nauwgezet in acht te nemen kunt u levens redden en tijd en geld besparen.



WAARSCHUWING



GEVAAR VAN IN BEWEGENDE DELEN BLIJVEN HAKEN

Deze instructies niet nakomen kan ernstig letsel of de dood tot gevolg hebben.

Letstel aan de handen of vingers vermijden.

- De handen **altijd** weg van de kabel, haaklus, haak en kabelgeleideropening houden tijdens de installatie en bediening, en tijdens het op- of afspoelen.
- **Altijd** de uiterste voorzichtigheid betrachten bij het hanteren van de haak en de kabel tijdens het spoelen van de lier.
- **Altijd** de bijgeleverde haakstrop gebruiken bij het op- of afspoelen van de kabel en tijdens de installatie of bediening, om letsel aan de handen en vingers te vermijden.



WAARSCHUWING



VAL- OF KNELGEVAAR

Deze instructies niet nakomen kan ernstig letsel of de dood tot gevolg hebben.

- **Nooit** als een luchthijsapparaat gebruiken of er een lading aan laten hangen.
- **Nooit** gebruiken om er personen mee op te hijsen of te verplaatsen.

OPGELET

RISK FÖR ATT FASTNA I RÖRLIGA DELAR

Om instruktionerna inte följs finns risk för mer eller mindre allvarliga skador.

Allmänna säkerhetsföreskrifter:

- Lär **alltid** känna din vinsch: Tag dig tid att läsa igenom och förstå bifogade bruksanvisningar (Installationsanvisningar och Grundläggande Vinschtekniksguide), så att du förstår hur din vinsch fungerar.
- Använd **aldrig** denna vinsch om du är under 16 år.
- Använd **aldrig** denna vinsch om du är påverkad av droger, alkohol eller mediciner.
- Överskrid **aldrig** vinschens eller vajerns angivna kapacitet. För att minska belastningen på vinschen dubblas vajern med hjälp av ett brytblock.

Säkerhetsföreskrifter för installation:

- Använd **alltid** en monteringsplats som är tillräckligt stark för att motstå vinschens maximala dragkraft.
- Använd **alltid** fabriksgodkända kontakter, fjärrkontroller, tillbehör och installationskomponenter.
- Använd **alltid** fästdon med minst hållfasthetsgrad 5, svetsa aldrig fast bultar och använd aldrig längre bultar än de som bifogats från fabrik.
- Avsluta **alltid** vinschmonteringen och fäst kroken i stroppen innan vinschens elledning ansluts.
- Placera **alltid** linledaren med varningsskylten på ovansidan.
- Spola **alltid** upp vajern på trumman i den riktning, som framgår av riktningvisaren på vinschen. Detta krävs för att automatbromsen skall fungera (om vinschen har sådan) och för att monteringsriktningen skall bli riktig.
- Innan den används skall vajern **alltid** först dras ut och åter spolas upp med belastning. Med en hårt spolad vajer minskas risken för "inlindning", som sker då vajern tar sig ner in i löst virade vajerlager och fastnar och skadas.

Säkerhetsföreskrifter för vinschning:

- Undersök **alltid** vinschmonteringen och vajern noggrant innan vinschen används. Uppsplitsad, trasslig eller skadad vajer måste omedelbart bytas ut. Lös eller skadad vinschmontering måste omedelbart rättas till. Byt omedelbart ut en krok som är skadad, böjd eller vriden.
- Kroka **aldrig** tillbaka vajern runt sig själv. Detta skadar vajern. Använd alltid löpkedja, löpvajer eller trädstamsskydd på förankringsstället.
- Avlägsna **alltid** sådant i närheten, som kan påverka vinschningens säkerhet innan du börjar.
- Tag **alltid** god tid på dig vid riggning för dragning med vinschen.
- Se **alltid** till att den utvalda förankringen klarar belastningen och att stroppen eller kedjan inte kan glida.
- Koppla **aldrig** i eller ur kopplingen om vinschen är belastad, vajern är spänd eller vajertrumman rör sig.
- Spola **alltid** av så mycket vajer som möjligt vid riggning. Dubbla vajern eller välj en avlägsen förankringspunkt.
- **Nooit** werken lier met minder dan 5 covers van touw rond de trommel. Touw kon komen los van de trommel, als het touw gehechtheid aan de trommel is niet ontworpen om een belasting te houden.
- Stå **alltid** en bit ifrån vajer och last då vinschen används.
- Rör **aldrig** vajer eller krok som är spänd eller belastad.
- Rör **aldrig** vajer eller krok då någon annan sköter manövern eller då vinschen används.
- Rör **aldrig** vajer eller krok då fjärrkontrollen är kopplad till vinschen.
- Stå **alltid** en bit ifrån vajer och last och håll andra borta under vinschningen.
- Se **alltid** till att den som sköter vinschen och de som står bredvid är medvetna om stabiliteten under vinschning av fordon och/eller last.
- Se **alltid** till att fjärrkontrollens sladd går fri från trumma, vajer och riggning. Kontrollera att det inte finns några sprickor, något sitter fastklämt, trasiga vajerdelar eller lösa inkopplingar. Skadade delar skall bytas ut.
- Låt **alltid** fjärrkontrollen ledas genom ett fönster, så sladden inte kommer i kläm i dörren då den används inifrån ett fordon..

Veiligheidsmaatregelen - vervolg

⚠ OPGELET



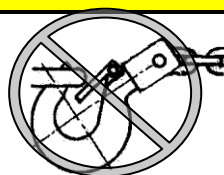
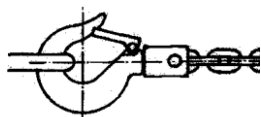
SKÆRINGS- OG FORBRÆNDINGSFARE

Undladelse af at overholde disse instruktioner kan føre til mindre eller moderate kvæstelser.

Sådan undgås beskadigelse af hænder og fingre:

- Brug **altid** stærke læderhandsker under håndtering af et wirekabel
- Lad **aldrig** wirekabel glide gennem hænderne
- Vær **altid** opmærksom på mulige, varme overflader på spilmotoren, tromlen eller wirekablet under eller efter brug af spillet.

⚠ OPGELET



Fare for indvikling med dele i bevægelse.

Undladelse af overholdelse af disse instruktioner kan medføre mindre til moderate kvæstelser.

- Belast aldrig spidsen af krogen eller låsen. Belast kun midten af krogen.
- Brug aldrig en krog, hvis halsåbning er forøget, eller hvis spids er bøjet eller forvredet

ATTENTIE

SCHADE AAN DE LIER EN APPARATUUR VERMIJDEN

- **Altijd** ononderbroken trekken naar de zijkant vermijden, waardoor de kabel aan één kant van de liertrommel kan opeenhopen. Dit kan de kabel of lier beschadigen. Zorg er **altijd** voor dat de koppeling volledig in- of uitgeschakeld is.
- De lier moet **nooit** worden gebruikt om voertuigen te slepen. Schokkladingen kunnen de capaciteit van de kabel en lier kortstondig overschrijden.
- Zorg er **te allen tijde** voor dat, bij het vastzetten van uw voertuig tijdens gebruik van de lier, u het frame niet beschadigt.
- De kabel moet onder belasting **nooit** heen en weer worden bewogen. Schokkladingen kunnen de capaciteit van de kabel en lier kortstondig overschrijden. Gebruik de lier **nooit** om een lading tijdens transport vast te zetten.
- De lier moet **nooit** in water worden gedompeld. De lier moet **te allen tijde** in een beschermd, schoon en droog gebied worden opgeslagen.

Numero pezzo e terminali cavo per il WARN 4700

Numero pezzo	
94700	12 V= 4700# gewone lier
94710	12 V= 4700# gewone lier - Internationaal

Onderdelenlijst

De 4700 Utiliteitslier van WARN® bestaat uit de volgende hoofdonderdelen:



1. WARN 4700 liereenheid	2. Fjärrkontroll
3. Kabelgeleiderrol : Sleuf	4. 2 kabels van 1,8 m
5. Vergrendelhaak en haakstrop	6. Montageaccessoires

Specificatiegegevens voor de WARN 4700

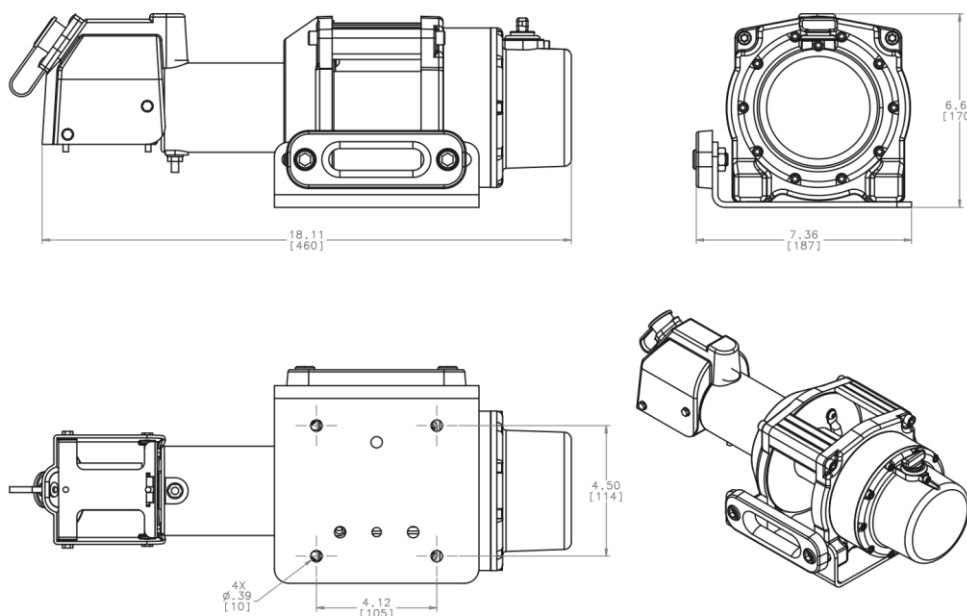
KENMERKEN			
Trekvermogen	2130 kg	Rem	Dynamische, mechanische rem
Schakelaartype	Op de motor gemonteerde heavy-duty draaischakelaar	Garantie	1 jaar beperkte garantie
Motor	Permanente magneetmotor	Draadkabel	6,35 mm X 18,3 m
Pk	1,9 pk 7,6 cm diameter	Diameter van cilinder	6,35 cm
Vermogen	12 V=	Draadleider	Sleuf
Tandwielpakket	Evolvent (tandwielvorm) volledig metalen tandwiel	Gatenpatroon	2 gaten
Tandwielverhouding	216:01	Elektrische kabels	2 kabels van 1,8 m
Koppeling	Kopplingsvred – drag och vrid	Gewicht	19,1kg

Prestatiegegevens voor de WARN 4700

PRESTATIEGEGEVENS: 4700

Lading		Stroom	Snelheid		Trekkracht met gelaagde kabel		
Lbs.	Kg	Amps	Ft/min		M/min	Laag	lbs.
0	0	47	17.9	5.5	1	4700	2130
1000	453.6	82	12.8	3.9	2	3980	1800
2000	907.2	150	10.8	3.3	3	3450	1560
3000	1360.8	212	8.1	2.5	4	3041	1380
4000	1814.4	277	5.8	1.8	5	2720	1230
4700	2132	322	4.3	1.3			

Afmetinggegevens voor de WARN 4700



! OPGELET

Gevaar van lierstoring

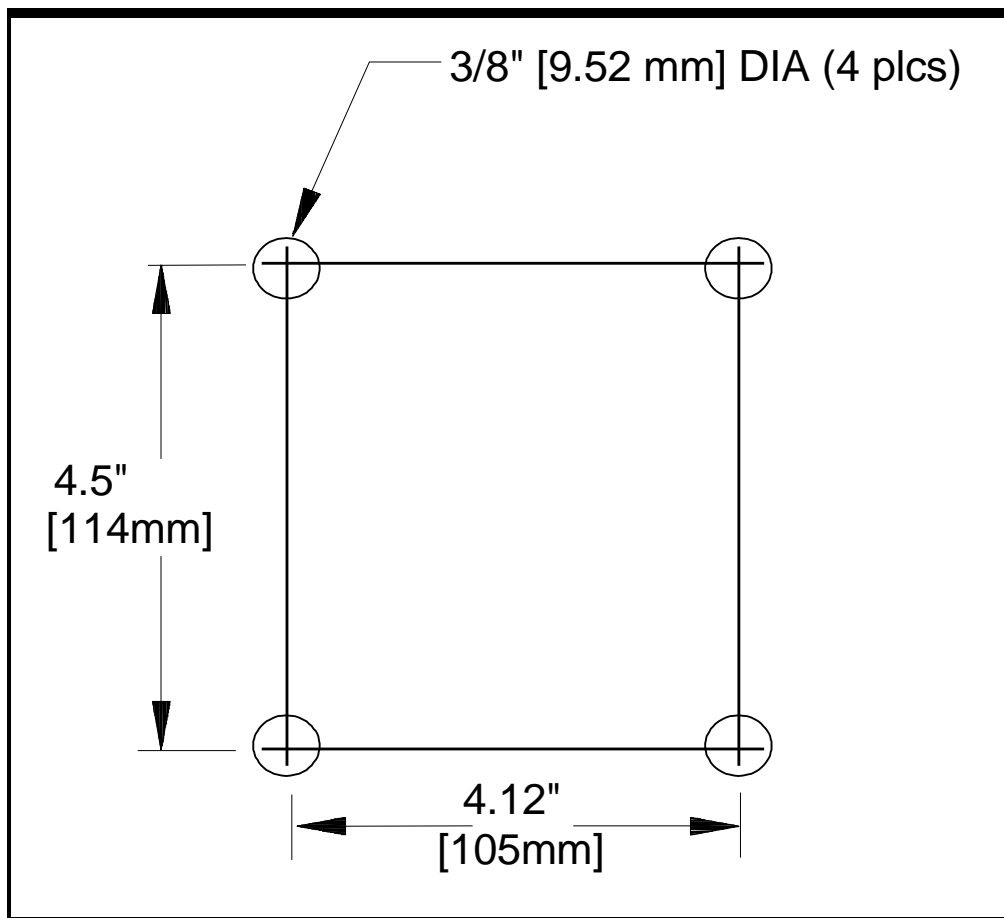
Deze instructies niet nakomen kan licht of matig letsel tot gevolg hebben.

- Kies een montageplaats die sterk genoeg is voor de te trekken ladingen.

De 4700 kan op een vaste plaats worden gemonteerd met gebruikmaking van het montagegatenpatroon voor de liereenheid. Eerst moet een montageplaats worden gekozen die sterk genoeg is voor de te trekken ladingen.

Daarna moeten 4 gaten worden geboord volgens de afmetingen in de onderstaande tekening.

Montageplaat-gatenpatroon



Lierinstallatie op een vaste plaats - vervolg

Gebruik altijd het volgerde om de lier veilig te bevestigen:

- een vlakke, veilige montageplaats uit staal minstens 4,8 mm dikte.
- 0,95 cm sluitring x 4.
- 3/8-16 x 2,54 cm lange zeskant-kopschroef, kwaliteit 5 of beter x 4.
- Torsione di serraggio dei bulloni di installazione pari a 41-47 N-m (30-35 piedi-libbra).

Het is mogelijk dat de lengte van de bouten groter dan hierboven gespecificeerd moet zijn, afhankelijk van de dikte van het materiaal waarop de lier gemonteerd wordt.

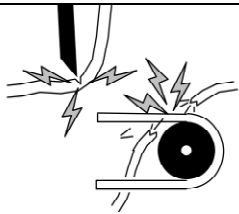
Bedrading



WAARSCHUWING

Elektrische schokgevaar

Deze instructies niet nakomen kan ernstig letsel of de dood tot gevolg hebben.



- Voer de elektriciteitskabels nooit over scherpe randen.
- Voer de elektriciteitskabels door of nabij bewegende onderdelen .
- Lees en volg altijd alle bedrading instructies opgenomen in de gids exploitanten.
- Isoleer en bescherm altijd alle blootliggende bedrading en elektrische aansluitpunten.

- Installeer de accukabels met de rode kabel verbonden aan de positieve pool van de accu en de zwarte kabel verbonden aan de negatieve pool van de accu.
- Controleer of alle draden goed en stevig zijn verbonden.

Voordat u de lier gebruikt, moet u controleren of:

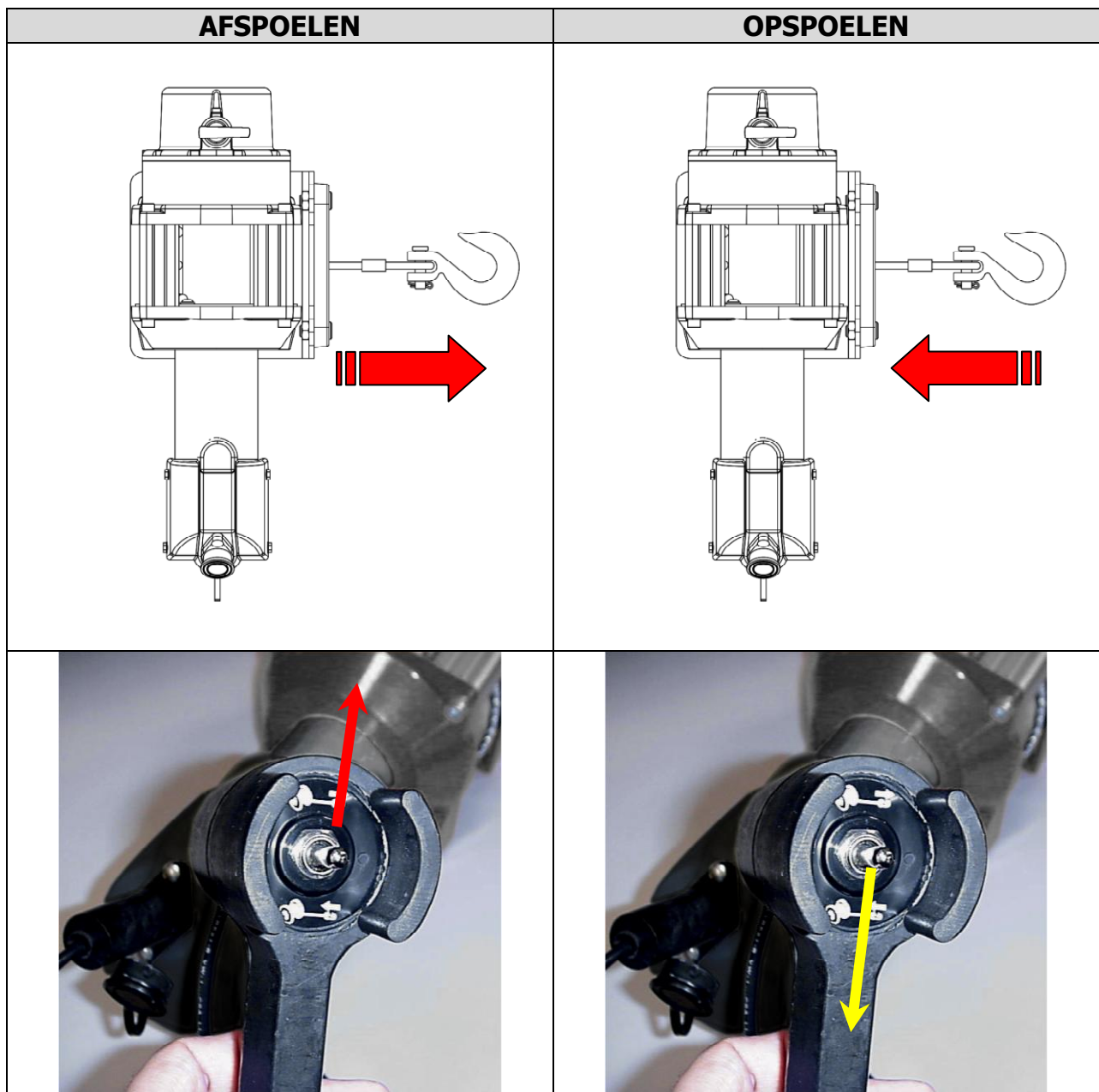
- de bedrading naar alle componenten correct is.
- er geen blootgelegde draden of terminals zijn en zo ja, deze afdekken met isoleerplaat, klemhulzen, krimpbuizen of elektrische tape.

Bedieningsvoorschriften

DE PENDELCONTROLE MET AFSTANDBEDIENING GEBRUIKEN

De pendelcontrolle met afstandbediening heeft vaste bedrading op do lier, en kan op afstand van de liereenheid worden bediend, of met de in de draagplaat vastgezette pendelcontrolle.

Druk op de zwarte Afspoelen-knop om de kabel van de trommel af te spoelen; druk op de witte Opspoelenknop om de kabel op de trommel op te spoelen.



BEDIENING VAN DE KOPPELING



WAARSCHUWING

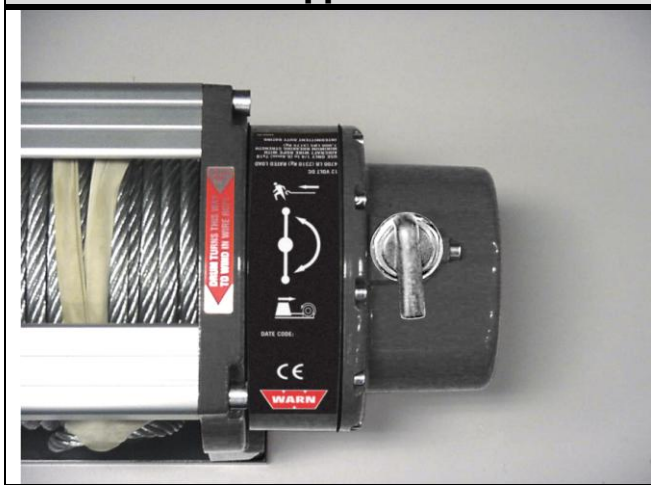
Lierfunctiegevaar

Deze instructies niet nakomen kan ernstig letsel of de dood tot gevolg hebben.

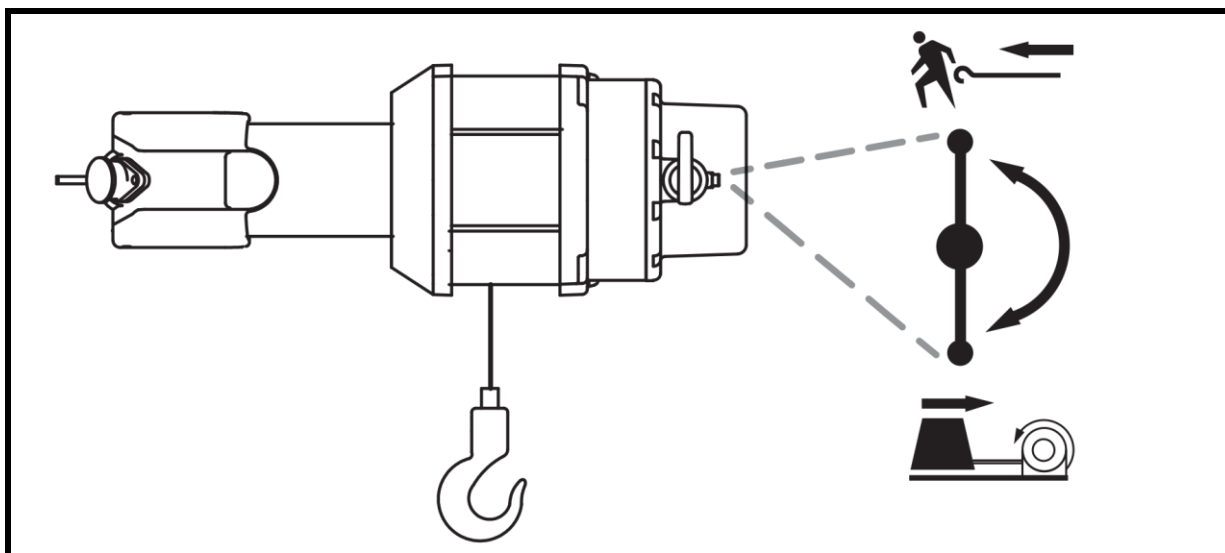
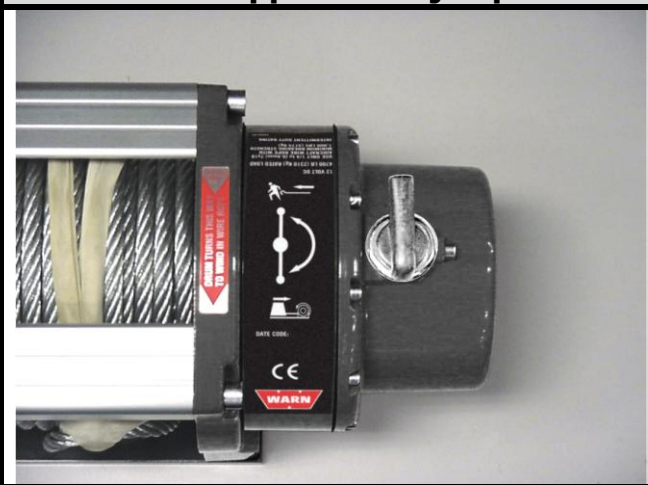
- ❑ **De koppeling moet nooit worden gekoppeld of ontkoppeld terwijl er een lading aan de lier bevestigd zit, of de kabel strak en onder spanning staat.**

Bij het koppelen is de transmissie verbonden met de kabeltrommel en kan er vermogen van de liermotor overgebracht worden. Wanneer de koppeling in de vrijloop staat, zijn de transmissie en de kabeltrommel ontkoppeld, zodat de trommel vrij kan roteren. Kopplingsvredet, som finns på sidan, reglerar kopplingsläge. Om schade te vermijden moet u de koppelingshendel altijd volledig in koppelen of ontkoppelen zetten.

Koppelen



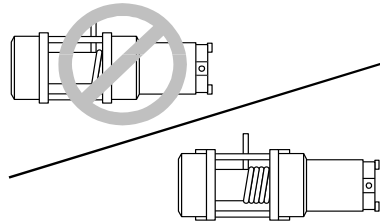
Ontkoppelen - vrijloop



AFSPOELEN

In de vrijloop van de trommel afspoelen is over het algemeen de snelste en gemakkelijkste manier om de kabel af te spoelen. Voordat u de koppeling ontkoppelt voor het in de vrijloop van de trommel afspoelen van de kabel moet u genoeg kabel af laten spoelen om alle mogelijke spanning op de kabel te verwijderen. U kunt daarna in de vrijloop afspoelen door voldoende kabel met de hand af te spoelen voor het werk met de lier.

OPGELET



Gevaar van persoonlijk letsel

Deze instructies niet nakomen kan licht of matig letsel tot gevolg hebben.

- Draag zware leren handschoenen bij het hanteren van de kabel.
- De lier moet nooit met minder dan 5 wikkelingen kabel op de trommel worden gebruikt.

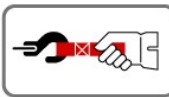
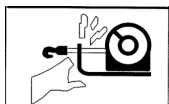
DE KABEL UITSTREKKEN

De levensduur van de kabel staat rechtstreeks in verhouding met de zorg en het gebruik ervan. Tijdens het eerste gebruik moet een nieuwe kabel op de trommel worden opgespoeld onder belasting van minstens 227 kg. Spoel de volledige lengte van de kabel af, maar laat 5 wikkelingen op de trommel achter; spoel de kabel daarna op onder belasting van 227 kg of meer. Dit strekt de nieuwe kabel en verschaft goede kabelwikkeling op de trommel. Dit nalaten kan tot gevolg hebben dat de buitenwikkelingen van de kabel in de binnenwikkelingen worden getrokken, wrijving veroorzaken en de kabel zodoende beschadigen.

WAARSCHUWING

Gevaar van in bewegende delen blijven haken

Deze instructies niet nakomen kan ernstig letsel of de dood tot gevolg hebben.



- De handen **altijd** weg van de kabel, haaklus, haak en kabelgeleideropening houden tijdens de installatie en bediening, en tijdens het op- of afspoelen.
- Altijd** de bijgeleverde haakstrop gebruiken bij het op- of afspoelen van de kabel en tijdens de installatie of bediening, om letsel aan de handen en vingers te vermijden.

OPSPOELEN MET EEN LADING

- ❑ De kabel moet altijd op de onderkant van de trommel spoelen, zoals door de sticker op de lier staat aangegeven.
- ❑ Spoel de kabel gelijkmatig en strak op de trommel. Dit voorkomt dat de buitenwikkelingen van de kabel in de binnenwikkelingen worden getrokken, wrijving veroorzaken en zodoende de staakabel beschadigen.
- ❑ Vermijd schokladingen bij het spoelen door de controleschakelaar met tussenpozen te gebruiken om de speling in de kabel te verwijderen. Schokladingen kunnen de capaciteiten van de lier en kabel kortstondig in aanzienlijke mate overschrijden.
- ❑ Förläng vinschens livslängd genom att använda ett lyftblock och riggingsteknik med dubbel lina. Detta är särskilt viktigt när man drar tunga laster.

OPSPOELEN ZONDER LADING

- ❑ **Met hulp:** Uw helper houdt de haak met de haakstrop vast, waarbij hij/zij zoveel mogelijk constante spanning op de kabel handhaaft. Terwijl de spanning op kabel gehandhaafd wordt, begeeft de helper zich vervolgens in de richting van de lier en u bedient de controleschakelaar om de kabel op te spoelen. Laat de schakelaar los als de haak zich minimaal 1,2 m van de kabelgeleideropening bevindt. Spoel de resterende kabel op voor opslag.
- ❑ **Zonder hulp:** Leg de op te spoelen kabel zodanig neer dat er geen knikken of knopen ontstaan bij het opspoelen. Zorg ervoor dat de kabel strak en in evenredige lagen op de trommel gespoeld wordt. Spoel voldoende kabel voor de volgende volledige laag op de trommel. Spoel de laag strak en recht op. Herhaal dit proces tot de haak zich minimaal 1,2 m van de kabelgeleider bevindt. Spoel de resterende kabel op voor opslag.

RESTERENDE KABEL OPSPOELEN VOOR OPSLAG

Houd de handen weg van de kabel, de haak en de kabelgeleideropening. De haaklus moet tijdens het opspoelen zonder lading te allen tijde worden gebruikt voor het vasthouden van de haak. Spoel de resterende kabel voorzichtig op door de controleschakelaar met tussenpozen te gebruiken om de laatste speling in de kabel te verwijderen. Maak de haak aan een geschikt ankerpunt en nabij de lier vast. Let erop dat de kabel niet te strak wordt getrokken, aangezien dit de kabel of het ankerpunt kan beschadigen.

TAKELLEN

- ❑ Bij de voorbereiding van takelwerk moet altijd zoveel mogelijk kabel worden afgespoeld. Kies een ankerpunt dat zich praktisch op zover mogelijke afstand bevindt; dit verschaft de lier zijn grootst mogelijke trekkracht.
- ❑ Takelen met een dubbele kabel met voetblok vermindert de belasting op de lier met de helft, zonder merkbaar verlies aan spoelsnelheid.
- ❑ Natuurlijke ankerpunten zoals bomen, stronken en rotsen zijn het gemakkelijkst, indien beschikbaar. Breng de stropketting, het stroptouw of de boomstambeschermer zo laag mogelijk op het ankerpunt aan om te vermijden dat het ankerpunt omvergetrokken wordt. Als er verschillende ankerpunten beschikbaar zijn die echter afzonderlijk niet sterk genoeg zijn, is het wellicht praktisch om een kabel of stropketting rond verschillende ankerpunten aan te brengen om een sterk gemeenschappelijk ankerpunt te vormen.

OVERBELASTING/OVERVERHITTING

De capaciteit van deze lier is gebaseerd op werkbelasting met onderbrekingen. De motor mag tijdens het werk niet op een laag toerental draaien. Wanneer de motor op stationair toerental draait of bijna afslaat, ontstaat er zeer snelle hittevorming die motorschade kan veroorzaken. Takelen met een dubbele kabel vermindert het stroomverbruik van de motor, zodat een langer ononderbroken gebruik mogelijk is (zie het Takelhoofdstuk).

Onderhoud en garantie

ONDERHOUD

- De lier heeft tijdens zijn volledige levensduur geen smering nodig.
- Inspecteer de kabel vóór en na ieder gebruik van de lier. Vervang de kabel, indien beschadigd.

GARANTIE

Zie de afzonderlijke bladzijde in de verpakking van de lier

-of-

Indien u de garantie verliest of niet kunt vinden, neemt u contact op met:

**Warn Industries, Inc.
Klantendienstafdeling
12900 SE Capps Rd
Clackamas, OR 97015-8903 VS.**

Verenigde Staten:

Telefoon: +1 503 722 1200 of (800) 543-9276 (alleen in de VS)

Fax: 503.722-3000

Internationaal:

Telefoon: 503.722.3008

Fax: 503.722.3005

© 2010 Copyright Warn Industries, Inc. All rights reserved.





VINTTURIN KÄYTTÖOPAS

WARN® 4700 -vintturi

Osanumero: 94700, 94710



Oma ja muiden turvallisuus on erittäin tärkeää. Autamme turvallisuutta koskeviin tietoihin perustuvien päätösten tekemistä laitteeseen kiinnitetyillä asennus- ja käyttöohjeilla ja muilla tiedoilla sekä tällä oppaalla. Nämä tiedot varoittavat mahdollisista itseesi tai muihin kohdistuvista vaaroista. On mahdotonta varoittaa kaikista tähän tuotteeseen mahdollisesti liittyvistä vaaroista – sinun tulee käyttää omaa tervettä järkeäsi.

VINTTURIN HUOLIMATON ASENNUS JA KÄYTTÖ VOIVAT AIHEUTTAA VAKAVAN TAPATURMAN TAI LAITEVAURION. LUE JA YMMÄRRÄ KAIKKI TURVALLISUUTTA KOSKEVAT VAROITUKSET JA KÄYTTÖOHJEET ENNEN LAITTEEN ASENNUSTA JA KÄYTTÖÄ.

Tässä oppaassa kerrotaan mahdollisista vaaroista ja annetaan tärkeitä turvallisuutta koskevia ohjeita, joiden avulla voidaan välttää tapaturmat ja hengenvaaralliset tilanteet. **VAROITUS** ja **VARO** ovat vaaran vakavuuden osoittavia merkkisanoja. Näiden merkkisanojen merkitykset ovat seuraavat:

VAROITUS tarkoittaa vaaraa, joka voi aiheuttaa vakavan tapaturman tai kuoleman, jos suosituksia ei noudateta.

VARO tarkoittaa vaaraa, joka saattaa aiheuttaa vähäisen tai kohtalaisen tapaturman, jos suosituksia ei noudateta.

Tässä oppaassa käytetään sanaa **HUOMIO**, jolla kiinnitetään huomiota tärkeisiin mekaanisiin tietoihin, ja sanaa **Huomautus**, jolla painotetaan yleisiä huomionarvoisia tietoja.

Tuotteen kuvaus: WARN® 4700 -vintturi

WARN® 4700 -vintturi on voimakas vetotyökalu. Tämän 12 voltin verkkovirtaa käyttävän kompaktin vintturin vetokapasiteetti on 2 130 kiloa.

Het apparaat is uitgerust met een afstandsschakelaar voor het in- en uitschakelen, een ca. 18,3 m lange draadkabel van 1/4 inch en een haak met een veiligheidsluiting. Het is standaard uitgerust met een vrij draaiende koppeling.

Johdanto

Kiitos WARN® -vintturin valinnasta vintturitarpeitasi varten. Kaikki WARN® -tuotteet on suunniteltu ja valmistettu monia vuosia kestäväää moitteetonta toimintaa varten. Kirjoita muistiin seuraavat tiedot myöhempää tarvetta varten:

Malli-/osnumero: _____ **Ostopäivämäärä:** _____

Ennen kuin aloitat työt

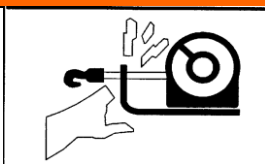
- Lue ohjeet perusteellisesti ja perehdy asennustoimiin.
- Tutki kaikki ilmoitukset, varoitukset ja vaaran merkit, jotta varmistat yksikön oikean ja turvallisen asennuksen.

Turvallisuuden varotoimet

Seuraavassa esitetään yleisiä turvallisuuden varotoimia, jotka jokaisen vintturin käyttäjän tulisi tietää. Etusijalla kaikkiin tässä annettuihin ohjeisiin nähden on kuitenkin kaikkein tärkein sääntö: **KÄYTÄ TERVETTÄ JÄRKEÄ.**

Näiden ohjeiden lukemiseen käytetyt minuutit voivat olla tärkeitä käyttäjän ja muiden henkilöiden turvallisuuden kannalta käyttäjän oppiessa varotoimia ja välttämään tiettyjä vaarallisia käyttötapoja. Säännölliset ja usein tehdyt laitteen tarkastukset sekä tunnollinen turvallisuusohjeiden noudattaminen voivat pelastaa henkiä ja säästää aikaa ja rahaa.

VAROITUS



LIKKUVIA OSIA – PURISTUKSIIN JÄÄMISEN VAARA

Näiden ohjeiden laiminlyönti voi aiheuttaa vakavan vamman tai kuoleman.

Käsien ja sormien vammautumisen estämiseksi:

- Pidä **aina** kädet poissa vaijerista, koukun silmukasta, koukun ja ohjainrullan aukosta asennuksen, käytön ja sisään ja ulos kelauksen aikana.
- Ole **aina** äärettömän varovainen kun käsittelet koukkuja ja vaijeria kelaustoimien aikana.
- Käytä **aina** toimitettua koukkuhihnaa kun kelaat vaijeria sisään tai ulos, sekä asennuksen tai käytön aikana estääksesi käsien tai sormien vammautumisen.

VAROITUS



PUTOAMISEN TAI MURSKAUTUMISEN VAARA

Näiden ohjeiden laiminlyönti voi aiheuttaa vakavan vamman tai kuoleman.

- **Älä koskaan** käytä vintturia nosturina pään yläpuolella tai riiputtamaan kuormaa.
- **Älä koskaan** käytä vintturia nostamaan tai siirtämään henkilöitä.



VARO

LIIKKUVIA OSIA – PURISTUKSIIN JÄÄMISEN VAARA

Ohjeiden laiminlyönti voi aiheuttaa lievän tai kohtalaisen vamman.

Yleisturvallisuus:

- Tunne **aina** vintturin ominaisuudet: Käytä aikaa mukana toimitetun asennus- ja käyttöoppaan lukemiseen ja ymmärtämiseen. Pehdy vinssaustekniikan perusohjeisiin, jotta ymmärrät, miten vintturi toimii.
- **Älä koskaan** käytä tätä vintturia, jos olet alle 16 vuoden ikäinen.
- **Älä koskaan** käytä tätä vintturia, jos olet huumeiden, alkoholin tai lääkityksen vaikutuksen alainen.
- **Älä koskaan** ylitä vintturin tai vaijerin nimellistä kapasiteettia. Kaksoisvaijerin käyttö avopylpyrän kanssa pienentää vintturin kuormaa.

Asennusturvallisuus:

- Valitse **aina** kiinnityspaikka, joka on tarpeeksi vahva kestämään vintturin maksimivetokapasiteetti.
- Käytä **aina** tehtaan hyväksymiä kytkimiä, kauko-ohjaimia, lisävarusteita ja asennuskomponentteja.
- Käytä **aina** luokan 5 tai parempia kiinnittimiä äläkä koskaan hitsaa pultteja tai käytä pitempiä kuin tehtaan toimittamia pultteja.
- Suorita **aina** vintturin kiinnitys ja koukun kiinnitys koukun silmukkaan ennen vintturin vaijeroimista asennuksen aikana.
- Sijoita **aina** ohjausrullasto niin että VAROITUS-tarra on sen päällä.
- Kelaa **aina** vaijeri rummun päälle kuten osoitetaan vintturin päällä olevassa rummun kiertosuunnan tarrassa. Tämä vaaditaan automaattisen jarrun toimimiseksi (jos vintturissa on sellainen varusteena) ja oikean asennussuunnan varmistamiseksi.
- Venytä **aina** vaijeri ja kela se uudelleen kuormitettuna ennen käyttöä. Tiukasti kelattu vaijeri vähentää vaijerin ”takertelua”, mikä tarkoittaa vaijerin kulkeutumista alas löysästi kelattuun vaijerikerrokseen ja vaurioitumista tai tarttumista kiinni.

Vinssauksen turvallisuus:

- Tarkasta **aina** vintturin asennus ja vaijerin kunto ennen vintturin käyttöä. Hankautunut, vääntynyt tai vaurioitunut vaijeri on vaihdettava heti. Löysä tai viallinen vintturin asennus on korjattava heti.
- **Älä koskaan** kiedo vaijeria takaisin itseensä kiinni. Tämä vahingoittaa vaijeria. Käytä aina kiinnityskohdassa juontoketjua, juontovaijeria tai puunsuojasta.
- Poista **aina** ennen vinssausta kaikki kohteet, jotka voivat estää vintturin turvallisen toiminnan.
- Käytä **aina** tarpeeksi aikaa vaijerin kiinnittämiseen vintturilla vetoa varten.
- Varmistaudu **aina**, että valitsemasi kiinnityskohta kestää kuormituksen ja hihna tai ketju ei luiskahda pois paikoiltaan.
- **Älä koskaan** kytke kytkintä päälle tai irti, jos vintturi on kuormituksen alainen, vaijeri on jännitetty tai vaijerin rumpu liikkuu.
- Kelaa **aina** ulos niin paljon vaijeria kuin mahdollista sitä kiinnittäessäsi. Käytä kaksoisvaijeria tai etäistä kiinnityspistettä.
- **Älä koskaan** vinssaa vähemmällä kuin 5 kierroksella vaijeria rummun ympärillä; vaijeri voi muuten irrottautua rummusta.
- Pysy **aina** pois vaijerin ja kuorman läheisyydestä käytön aikana.
- **Älä koskaan** koske vaijeriin tai koukkuun vaijerin ollessa jännittyneenä tai kuormituksen alainen.
- **Älä koskaan** koske vaijeriin tai koukkuun toisen henkilön käyttäessä ohjauskytkintä tai vinssauksen aikana.
- **Älä koskaan** kosketa vaijeria tai koukkuu kauko-ohjaimen ollessa kytkettynä vintturiin.
- Pysy **aina** poissa vaijerin ja kuorman läheltä ja pidä myös muut henkilöt loitolla vinssauksen aikana.
- Vaadi **aina** käyttäjää ja sivullisia olemaan tietoisia tasapainoisuudesta ajoneuvon ja/tai kuorman vinssauksen aikana.
- Pidä kauko-ohjain **aina** poissa rummusta, vaijerista ja kiinnityksestä. Tarkasta vintturi murtumien, puristumien, kuluneiden vaijerien tai löysien liitännöjen varalta. Vaihda tarvittaessa.

Turvallisuuteen liittyviä varotoimia – jatkuu

! VARO



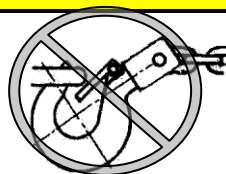
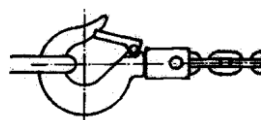
VIILTO- JA PALOHAAVOJEN VAARA

Ohjeiden laiminlyönti voi aiheuttaa lievän tai kohtalaisen vamman.

Käsien ja sormien vammautumisen estämiseksi:

- Käytä paksuja nahkakäsineitä vaijeria käsitellessäsi.
- Älä anna vaijerin **milloinkaan** luisua käsiesi kautta.
- Muista **aina**, että vintturin moottorin, rummun tai vaijerin pinta voi olla kuuma vintturin käytön aikana tai sen jälkeen.

! VARO



Liikkuvia osia – puristuksiin jäämisen vaara

Ohjeiden laiminlyönti voi aiheuttaa lievän tai kohtalaisen vamman.

- Älä kohdistu kuormitusta milloinkaan koukun kärkeen tai salpaan. Kohdistu kuormitus vain koukun keskikohtaan.
- Älä käytä milloinkaan koukkuja, jonka kannan väli on suurentunut tai jonka kärki on taipunut tai kierossa.

ILMOITUS

VÄLTÄ VINTTURIN JA LAITTEISTON VAURIOITUMISTA

- Vältä **aina** jatkuvia sivuvetoja, jotka voivat pinota vaijeria rummun yhteen päähän. Tämä voi vaurioittaa vaijeria tai vintturia.
- Varmista **aina** että kytkin on kytketty täysin päälle tai täysin irti.
- **Älä koskaan** käytä vintturia hinaamaan muita ajoneuvoja. Äkkikuormitus voi hetkellisesti ylittää vaijerin ja vintturin kapasiteetin.
- Varo **aina**, ettet vaurioita runkoa kiinnittäessäsi ajoneuvon vinssaustoiminnon aikana.
- **Älä koskaan** sysää kuormituksen alaista vaijeria. Äkkikuormitus voi hetkellisesti ylittää vaijerin ja vintturin kapasiteetin.
- **Älä koskaan** käytä vintturia kuljetettavan kuorman sitomiseen.
- **Älä koskaan** upota vintturia veteen.
- Säilytä vintturi **aina** suojatussa, puhtaassa ja kuivassa paikassa.

WARN 4700:n osanumerot ja johdon päät

OSANUMEROT

94700	12 V DC 4700# yleisvintturi
94710	12 V DC 4700# yleisvintturi, kansainvälinen

Osaluettelo

WARN® 4700 -vintturiin kuuluvat seuraavat pääkomponentit.



1. WARN 4700 -vintturiyksikkö	2 Kauko-ohjattu, 3,7 m:n johto
3. Ohjainsilmake	4 2 kpl 1,8 m x 6 gaugen kaapeleita
5. Salpakoukku ja koukkuhina	6. Kiinnittimet, salvallinen koukku

WARN 4700:n tekniset tiedot

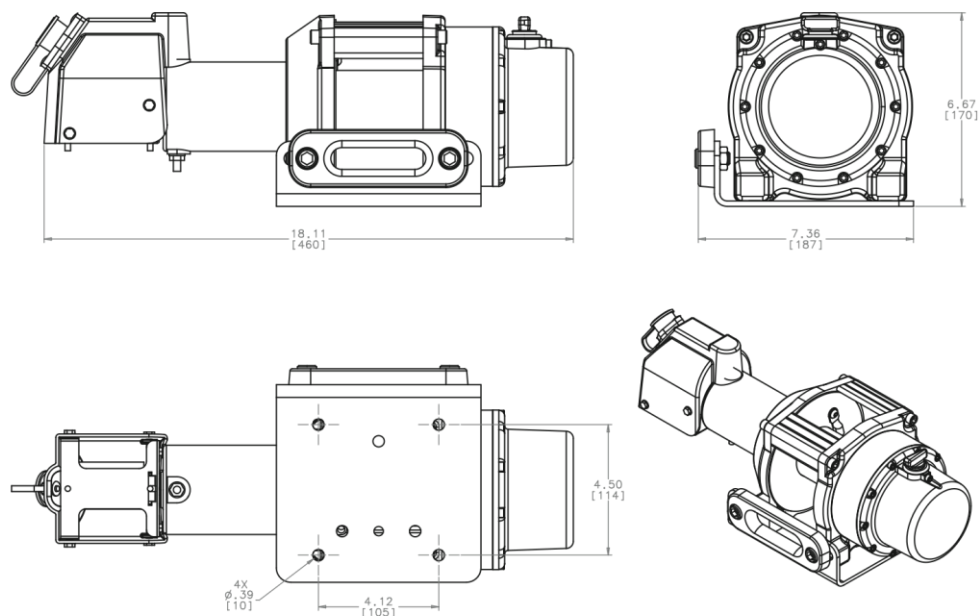
OMINAISUUDET			
Vetokyky	2 130 kg	Jarru	Dynaaminen ja mekaaninen jarrutus
Kytintyyppi	Kauko-ohjattu, 3,7 m:n johto	Takuu	1 vuoden rajoitettu takuu
Moottori	Kestomagneetti	Vaijeri	6,35 mm x 18,3 m
Teho	1,4 kW läpimitta 7,6 cm	Rummun läpimitta	6,35 cm
Käyttövoima	12 voltin tasavirta	Ohjausrullasto	Silmake
Hammaspyörästö	3-vaiheinen planeettapyörästö	Reikien sijainti	4 reikää
Välityssuhde	216:01	Sähköjohdot	2 kpl 1,8 m x 6 gaugen kaapeleita
Kytin	Viputoiminen monisuuntainen	Paino	19,1 kg

WARN 4700:n suorituskyvyn tiedot

SUORITUSKYVYN TIEDOT: 4700

Kuormitus		Virta	Nopeus	M/min	Vaijerikerroksen vetovoima		
Lbs.	Kg				Amps	Ft/min	Kerros
0	0	47	17.9	5.5	1	4700	2130
1000	453.6	82	12.8	3.9	2	3980	1800
2000	907.2	150	10.8	3.3	3	3450	1560
3000	1360.8	212	8.1	2.5	4	3041	1380
4000	1814.4	277	5.8	1.8	5	2720	1230
4700	2132	322	4.3	1.3			

WARN 4700:n mitat



Vintturin asennus kiinteään kohteeseen

VARO

Vintturin toimintavirheen vaara

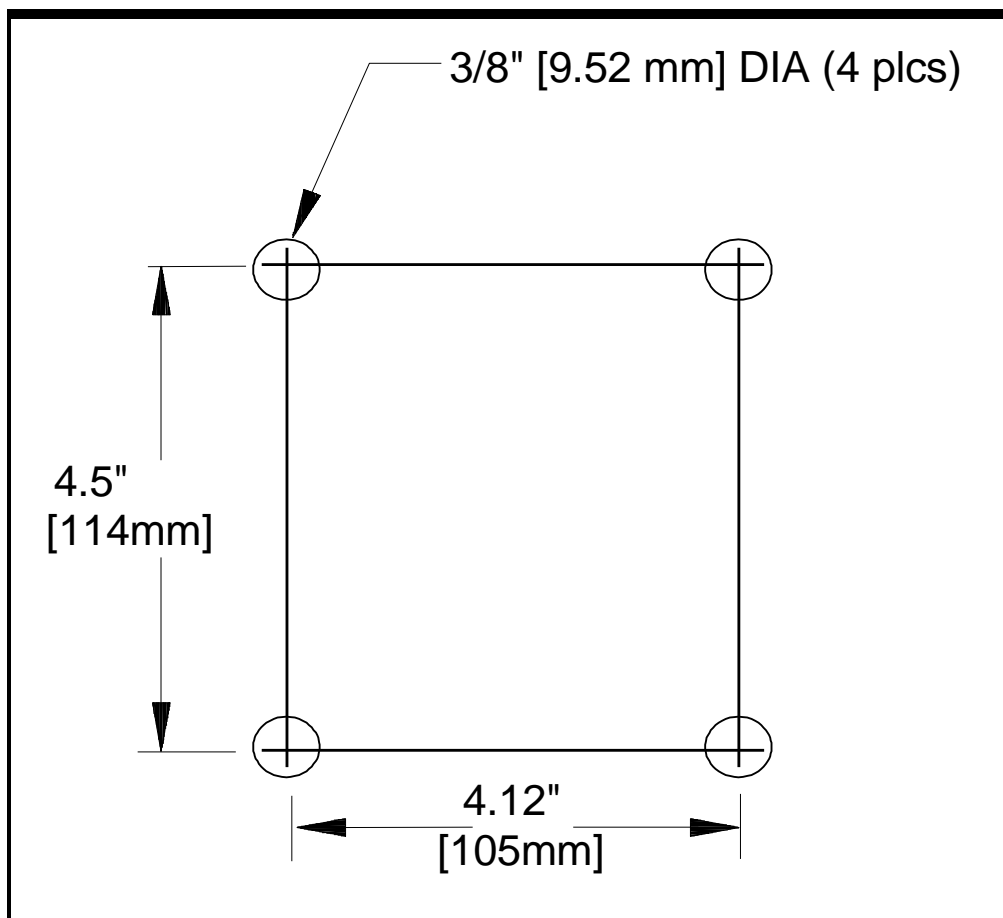
Ohjeiden laiminlyönti voi aiheuttaa lievän tai kohtalaisen vamman.

- Valitse aina kiinnityskohta, joka on riittävän vahva kestämään vinsattavan kuorman painon.

4700 voidaan kiinnittää kiinteään kohteeseen käyttämällä apuna vintturin kiinnitysreikien kuviota. Valitse ensin kiinnityskohta, joka on riittävän vahva kestämään vinsattavien kuormien painon.

Poraa sitten kolme reikää alla olevan piirroksen mittojen mukaisesti.

Kiinnityslevyn reikien sijainti



Vintturin asennus kiinteään kohteeseen – jatkuu

Käytä vintturin kiinnitykseen aina seuraavia osia:

- tasainen tukeva kiinnityskohta, vähintään 4,8 mm paksua terästä
- 3/8 tuuman joustolaatta x 4
- 3/8-16 x 1 tuuman kuusiokantaruuvi, luokka 5 tai parempi x 4.
- Kiristä kiinnityspultit 41–47 Nm:n tiukkuuteen.

Pultin tarvitsee mahdollisesti olla yllä määritettyä pidempi kiinnitettävän materiaalin paksuuden mukaan.

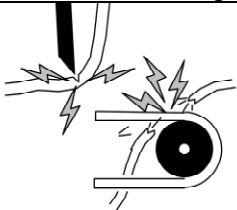
Johtojen Asennus



VAROITUS

Sähköiskunvaara

Näiden ohjeiden laiminlyönti voi aiheuttaa vakavan vamman tai kuoleman.



- Älä asenna sähköjohtoja terävien reunojen päälle.
- Älä asenna sähköjohtoja liikkuvien osien läpi tai lähelle.
- Lue kaikki käyttäjän ohjekirjassa olevat kytkentäohjeet ja noudata niitä.
- Eristä ja suojaa kaikki näkyvillä olevat johdot ja liittimet.

- Asenna akkukaapelit siten, että punainen johto menee akun positiiviseen napaan ja musta johto akun negatiiviseen napaan.
- Tarkista, että kaikki johtojen kytkennät ovat puhtaita ja tiukasti kiinni.

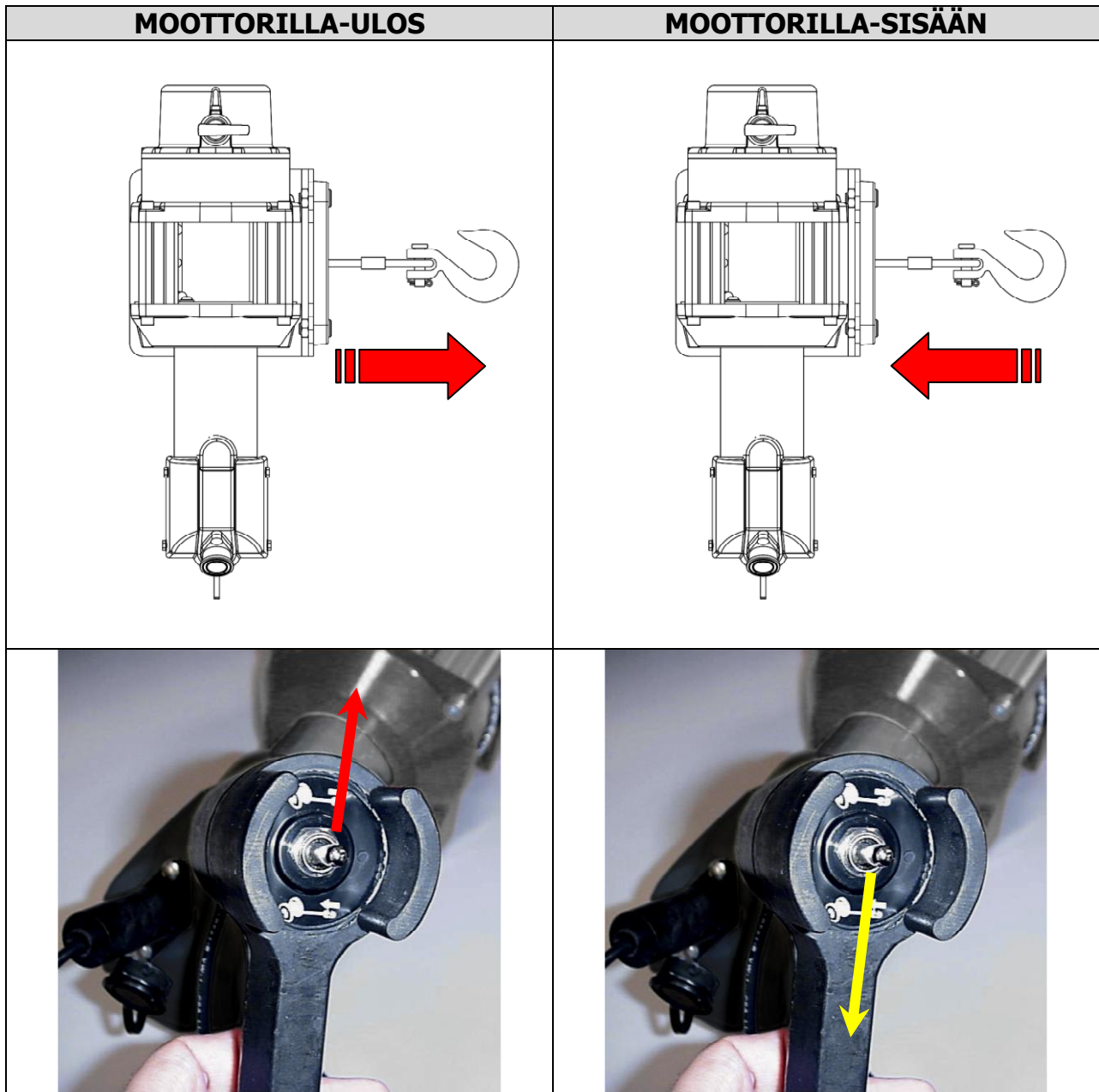
Ennen kuin käytät vintturia, varmista seuraavat seikat:

- Varmista, että kaikkien osien johdotukset ovat oikein.
- Varmista, etteivät johdot tai liittimet ole paljaina. Peitä kaikki paljaat kohdat eristyslevyllä, liittimen suojuksilla, kutistesukalla tai sähköteipillä.

RIIPPUOHJAIMEN KAUKOKÄYTTÖ

Kaukokäyttöinen riippuohjain on langoitettu vintturiin ja sitä voidaan käyttää kaukoasemassa poissa vintturista tai riippuohjaimen ollessa telakoituna kantolevyyn.

Paina moottorin mustaa ulos-painiketta, kun kelaat vaijeria pois rummusta, tai paina moottorin valkoista sisään-painiketta, kun kelaat vaijeria rumpuun.



KYTKIMEN KÄYTTÖ

VAROITUS

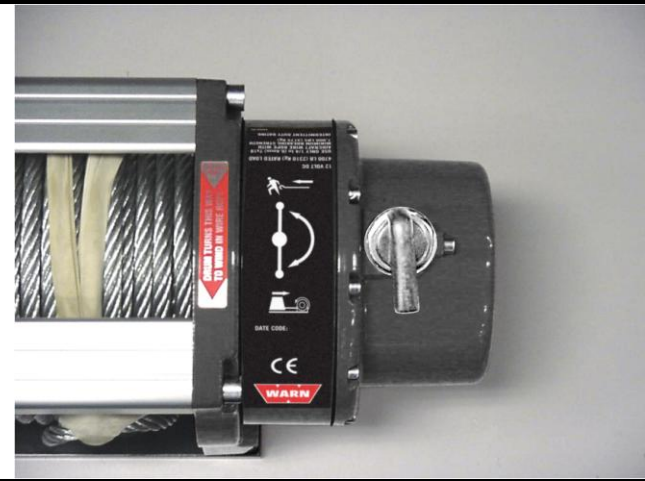
Vintturin toiminnan vaara

Näiden ohjeiden laiminlyönti voi aiheuttaa vamman tai laitteistovaurion.

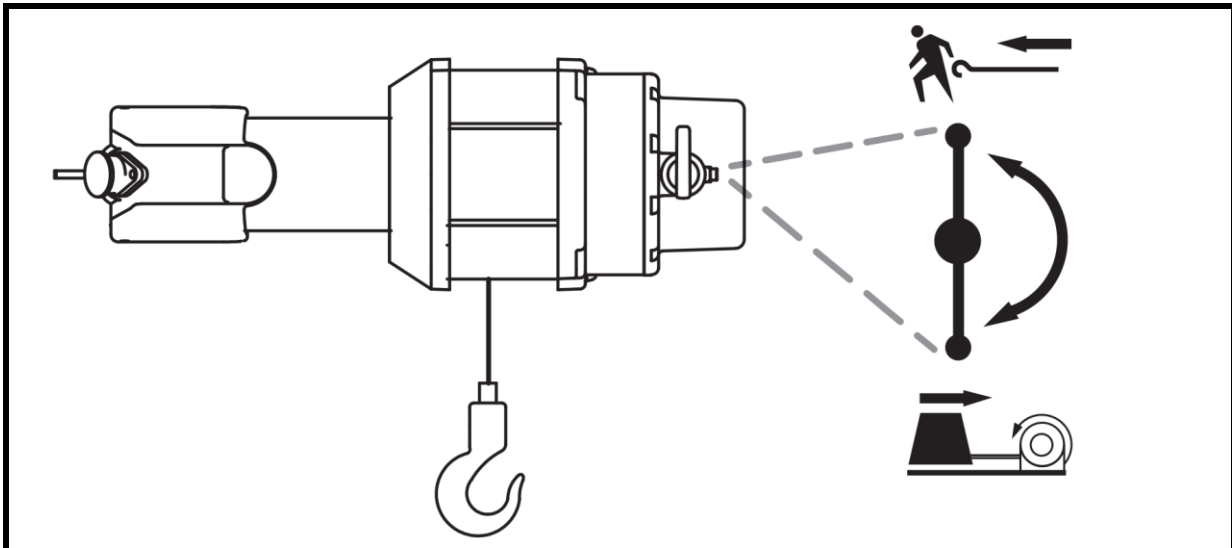
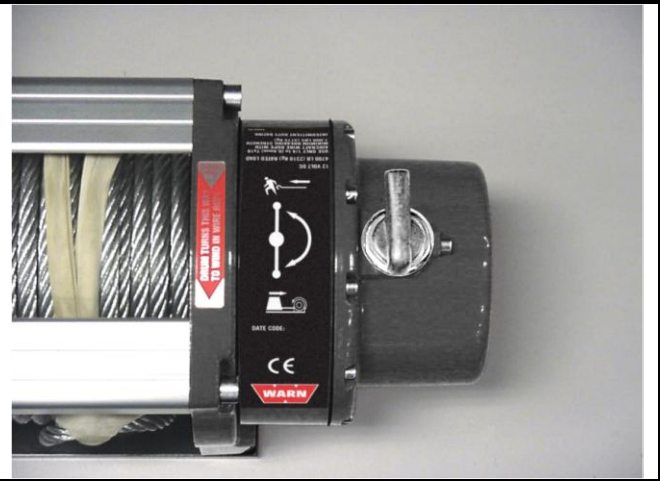
- Älä koskaan kytke kytkintä päälle tai irti, jos vintturi on kuormituksen alainen tai vaijeri on jännittyneenä.

Kun kytkin on kytkettynä, hammaspyörästä on kytketty vaijerirumpuun ja vintturin moottoria voidaan käyttää vetämiseen. Kun kytkin on vapaalla, hammaspyörästä ja vaijerirumpu eivät ole kytkettyneet, jolloin rumpu pystyy pyörimään vapaasti. Kytkimen asentoa ohjataan moottorin päällä olevalla kytkinvivulla. Vaurioiden välttämiseksi on tärkeää, että kytkinvipu on joko täysin päälle kytketyssä tai täysin irti kytketyssä asennossa.

Kytetty



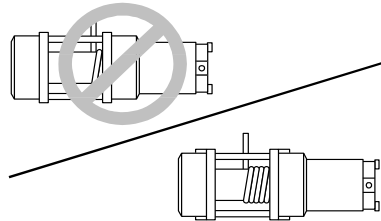
Kytetty irti – Vapaallekytkentä



KELAUS ULOS

Kelaus rummun ollessa kytkettynä vapaalle on yleensä nopein ja helpoin tapa kelata vaijeri ulos. Ennen kuin vapautat kytkimen ja alat kelata vaijeria ulos vintturista rummun ollessa kytkettynä vapaalle, poista vaijerissa oleva mahdollinen jännite kelaamalla sitä hieman ulos moottorin avulla. Tämän jälkeen voit kelata käsin tarpeeksi vaijeria ulos vinssausta varten rummun ollessa kytkettynä vapaalle.

VARO



Henkilövamman vaara

Ohjeiden laiminlyönti voi aiheuttaa lievän tai kohtalaisen vamman.

- Käytä paksuja nahkakäsineitä vaijeria käsitellessäsi.
- Älä koskaan käytä vintturia, jos rummulla ei ole vähintään 5 kierrosta vaijeria.

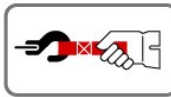
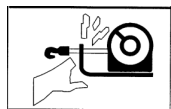
VAIJERIN VENYTYS

Vaijerin käyttöikä riippuu sen käytöstä ja hoidosta. Ensimmäistä kertaa käytettäessä vaijeri on kelattava rummulle kuormituksen ollessa vähintään 227 kg. Kelaat vaijeria ulos niin, että rummulle jää 5 kierrosta, ja kelaat sitten moottorilla vaijeri sisään kuormituksen ollessa vähintään 227 kg. Tämä venyttää uutta vaijeria ja saa sen kiertymään hyvin rummun ympärille. Jos tätä ei tehdä, ulommat vaijerikerrokset saattavat painua sisempien kerrosten sisään ja vaijeri voi tarttua kiinni ja vioittua.

VAROITUS

Liikkuvia osia – puristuksiin jäämisen vaara

Näiden ohjeiden laiminlyönti voi aiheuttaa vakavan vamman tai kuoleman.



- Pidä kädet **AINA** poissa vaijerista, koukun silmukasta, koukusta ja ohjausrullan aukosta asennuksen, käytön ja sisään- tai uloskelauksen aikana.
- Käytä **AINA** toimitettua koukkuhihnaa, kun kelaat vaijeria sisään tai ulos, sekä asennuksen tai käytön aikana, käsien tai sormien vammautumisen estämiseksi.

SISÄÄN KELAUS KUORMITETTUNA

- ❑ Vaijerin täytyy aina kelautua rummun pohjalle vintturiin kiinnitetyn tarran mukaisesti.
- ❑ Kelaat vaijeri moottorilla tasaisesti ja tiukasti rummulle. Tämä estää ulompia vaijerikerroksia painumasta sisempien kerrosten sisään, tarttumasta kiinni ja vioittamasta vaijeria.
- ❑ Vältä äkkikuormitusta kelauksen aikana kelaamalla löysällä oleva vaijeri käyttäen ohjauskytkintä jaksoittain. Äkkikuormitus voi ylittää hetkellisesti vintturin ja vaijerin nimellisen kapasiteetin.

SISÄÄNKELAUS KUORMITTAMATTOMANA

- ❑ **Avustettuna:** Pyydä avustajaa pitämään koukkuja koukkuhihnalla ja kohdistamaan vaijeriin mahdollisimman suuri tasainen jännitys. Avustajan tulisi pitää vaijeri kireällä ja kävellä vintturia kohti samalla, kun itse kelaat vaijeria rummulle ohjauskytkimellä. Vapauta kytkin, kun koukku on vähintään 1,2 metrin päässä vaijerin ohjainrullan aukosta. Kelaat loppuosa sisään säilytysasentoon.
- ❑ **Avustamattomana:** Aseta vaijeri siten, ettei se taitu tai mene sekaisin kelattaessa. Varmista, että rummulla olevat vaijerikerrokset ovat tasaisia ja tiukkoja. Kelaat niin paljon vaijeria, että se muodostaa seuraavan täyden kerroksen rummulle. Kiristä ja suorista kerros. Toista toimenpidettä, kunnes koukku on vähintään 1,2 metrin päässä vaijerin ohjainrullasta. Kelaat loppuosa sisään säilytysasentoon.

LOPPUOSAN KELAUS SÄILYTYSASENTOON

Pitä kädet pois vaijerista, koukusta ja vaijerin ohjainrullan aukosta. Käytä aina koukkuhihnaa koukun pitämiseen, kun kelaat ilman kuormitusta. Kelaat vaijerin loppuosa varovasti moottorilla ja poista viimeiset löysällä olevat kohdat käyttämällä ohjauskytkintä lyhyin jaksoin. Kiinnitä koukku sopivaan kiinnityskohtaan vintturin lähelle. Varo, ettet kiristä vaijeria liikaa, jotta vaijeri ja kiinnityskohta eivät vahingoitu.

VAIJERIN KIINNITYS

- ❑ Kelaat aina vaijeria ulos mahdollisimman paljon valmistautuessasi kiinnittämään vaijerin. Valitse kiinnityskohta mahdollisimman kaukaa. Näin saadaan mahdollisimman suuri vintturin vetovoima.
- ❑ Kaksoisvaijerin käyttö avopylpyrän kanssa pienentää vintturiin kohdistuvan kuorman puoleen heikentämättä merkittävästi kelausnopeutta.
- ❑ Luonnolliset kiinnityskohdat, kuten puut, kannot ja kivet, ovat kaikkein kätevimpiä, jos niitä on käytettävissä. Kiinnitä juontoketju, juontovaijeri tai puunsuojus mahdollisimman alas kiinnityskohtaan, jotta se ei kaadu vedettäessä. Jos käytettävissä on useita mahdollisia kiinnityskohtia, jotka eivät ole riittävän vahvoja yksinään, voi olla käytännöllistä kiinnittää vaijeri tai juontoketju usean kiinnityskohdan ympärille ja muodostaa näin yksi vahva yhteinen kiinnityskohta.

Käyttöohjeet – jatkuu

YLIKUORMITUS/YLIKUUMENEMINEN

Tämä vintturi on tarkoitettu ajoittaista käyttöä varten. Sitä ei saa käyttää, jos moottori käy hitaalla nopeudella. Kun moottori lähestyy seisontanopeutta, tapahtuu erittäin nopeaa lämmönmuodostusta, joka voi vaurioittaa moottoria. Kaksoisvaijerilla suoritettu työ pienentää moottorista otettua virranvoimakkuutta, jolloin moottoria voidaan käyttää pidempään yhtäjaksoisesti (katso vaijerin kiinnitystä koskevaa kohtaa).

Huolto ja takuu

HUOLTO

- Vintturia ei tarvitse voidella.
- Tarkasta vaijeri ennen jokaista vintturin käyttökertaa ja jokaisen käyttökerran jälkeen. Vaihda vioittunut vaijeri.

TAKUU

Katso tiedot vintturin kanssa pakatusta erillisestä paperista.

– tai –

**Jos takuupaperi on kadonnut, ota yhteys:
Warn Industries, Inc.
Customer Service Dept.
12900 SE Capps Rd
Clackamas, OR 97015-8903, USA.**

Yhdysvallat:

Puhelin: +1 503 722 1200 tai (vain USA:ssa) (800) 543 9276
Faksi: 503.722-3000

Kansainvälinen:

Puhelin: +1 503.722.3008
Faksi: +1 503.722.3005

© 2010 Copyright Warn Industries, Inc. All rights reserved.





VINSCHMANUAL
WARN® 4700 universalvinsch
Artikelnummer: 94700, 94710



Din säkerhet, och säkerheten för andra, är mycket viktig. Till grund för att fatta informerade beslut om säkerhet tillhandahåller vi installations- och bruksanvisningar samt annan information på produktens etiketter och i dessa anvisningar. Denna information varnar dig för eventuell fara som kan skada dig eller andra. Det är inte möjligt att varna för alla eventuella faror i samband med användningen av denna produkt, utan du måste använda eget gott omdöme.

SLARVIG INSTALLATION OCH ANVÄNDNING AV VINSCHEN KAN RESULTERA I ALLVARLIGA SKADOR PÅ PERSONER ELLER UTRUSTNING. LÄS IGENOM OCH FÖRSTÅ ALLA SÄKERHETSFÖRESKRIFTER OCH BRUKSANVISNINGAR INNAN DENNA PRODUKT INSTALLERAS OCH ANVÄNDS.

Dessa anvisningar identifierar eventuella faror och har viktiga säkerhetsmeddelanden som hjälper dig och andra att undvika personskador eller dödsfall. **FARA** och **VARNING** är ord som signalerar farans omfattning. Dessa uppmärksamhetsord betyder:

FARA signalerar en fara som *kan* orsaka allvarliga skador eller dödsfall, om du inte följer rekommendationerna.

VARNING signalerar en fara som *skulle kunna* orsaka mindre till mer omfattande skador, om du inte följer rekommendationerna.

Dessa anvisningar använder **OBS!** för att påkalla uppmärksamhet till viktig mekanisk information och **Notera:** för att förtydliga allmän information, som är värd att speciellt uppmärksamma.

Produktbeskrivning: WARN® 4700 universalvinsch

WARN® 4700 universalvinsch är ett kraftigt dragverktyg. Med hjälp av en 12 V DC-motor har denna kompakta vinsch en dragkapacitet på 2130 kg.

Laitteessa on sisään- ja uloskelauksen kaukokytkin, 18,3 metriä 6,35 mm:n vaijeria ja lukollinen koukku. Vakiovarusteena on vapaalle kytkettävä kytkin.

Inledning

Tack för att du valt WARN® för dina vinschbehov. Alla WARN®-produkter har utformats och tillverkats för att ge många års problemfri användning. För framtida referens skall följande information noteras:

Modell/artikelnummer: _____ **Inköpsdatum:** _____

Innan du börjar

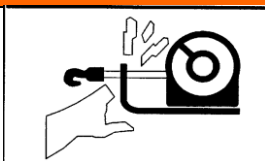
- Läs igenom instruktionerna ordentligt så du lär dig hur installationsprocessen fungerar.
- Gå igenom alla påpekanden och varningar så att kitet installeras på ett riktigt och säkert sätt.

Säkerhetsföreskrifter

Nedan följer allmänna säkerhetsföreskrifter, som alla vinschanvändare skall känna till. Först bland alla speciella föreskrifter nedan gäller den viktigaste regeln – **ANVÄND SUNT FÖRNUFT**.

Genom att tillbringa några minuter med att läsa igenom dessa regler kan den som använder produkten bli medveten om farligt bruk, som kan undvikas och kan vidta försiktighetsåtgärder för egen och andras säkerhet. Ofta förekommande kontroller och regelbundna inspektioner av utrustningen liksom även att samvetsgrant följa säkerhetsföreskrifterna kan spara både liv, tid och pengar.

FARA



RISK FÖR ATT FASTNA I RÖRLIGA DELAR

Om instruktionerna inte följs finns risk för mycket allvarliga skador.

Undvik skador på händer och fingrar.

- Håll **alltid** händerna borta från vajer, ögla och krok under installation och användning samt vid in- och utspolning.
- Var **alltid** ytterst försiktig vid hantering av krok och vajer under spolning.
- Använd **alltid** tillhandahållen krok när vajer spolas in eller ut, vid installation eller användning för att undvika skador på händer och fingrar.

FARA



RISK FÖR FALL ELLER ATT BLI TRÄFFAD

Om instruktionerna inte följs finns risk för mycket allvarliga skador.

- Får **aldrig** användas som lyftkran eller för att hänga last i.
- Får **aldrig** användas för att lyfta eller flytta på människor.

VARNING

RISK FÖR ATT FASTNA I RÖRLIGA DELAR

Om instruktionerna inte följs finns risk för mer eller mindre allvarliga skador.

Allmänna säkerhetsföreskrifter:

- Lär **alltid** känna din vinsch: Tag dig tid att läsa igenom och förstå bifogade bruksanvisningar (Installationsanvisningar och Grundläggande Vinschtekniksguide), så att du förstår hur din vinsch fungerar.
- Använd **aldrig** denna vinsch om du är under 16 år.
- Använd **aldrig** vinschen om du är påverkad av alkohol, droger eller mediciner.
- Överskrid **aldrig** vinschens eller vajerns angivna kapacitet. För att minska belastningen på vinschen dubbleras vajern med hjälp av ett brytblock.

Säkerhetsföreskrifter för installation:

- Använd **alltid** en monteringsplats som är tillräckligt stark för att motstå vinschens maximala dragkraft.
- Använd **alltid** fabriksgodkända kontakter, fjärrkontroller, tillbehör och installationskomponenter.
- Använd **alltid** fästdon med minst hållfasthetsgrad 5, svetsa **aldrig** fast bultar och använd **aldrig** längre bultar än de som bifogats från fabrik.
- Avsluta **alltid** vinschmonteringen och fäst kroken i stroppen innan vinschens elledning ansluts.
- Placera **alltid** linledaren med varningsskylten på ovansidan.
- Spola **alltid** upp vajern på trumman såsom anges på vinschtrummans rotationsskylt. Detta krävs för att automatbromsen skall fungera (om vinschen har sådan) och för att monteringsriktningen skall bli riktig.
- Innan den används skall vajern **alltid** först dras ut och åter spolad upp med belastning. Med en hårt spolad vajer minskas risken för "inlindning", som sker då vajern tar sig ner in i löst virade vajerlager och fastnar och skadas.

Säkerhetsföreskrifter för vinschning:

Undersök **alltid** vinschmonteringen och vajerns tillstånd noggrant innan vinschen används. Uppsplitsad, trasslig eller skadad vajer måste omedelbart bytas ut. Lös eller skadad vinschmontering måste omedelbart rättas till. Kroka **aldrig** tillbaka vajern runt sig själv. Detta skadar vajern. Använd **alltid** löpkedja, löpvajer eller trädstamsskydd på förankringsstället.

- Avlägsna **alltid** sådant i närheten, som kan påverka vinschningens säkerhet innan du börjar.
 - Tag **alltid** god tid på dig vid riggning för dragning med vinschen.
 - Se **alltid** till att den utvalda förankringen klarar belastningen och att stroppen eller kedjan inte kan glida.
 - Koppla **aldrig** i eller ur kopplingen om vinschen är belastad, vajern är spänd eller vajertrumman rör sig.
 - Spola **alltid** av så mycket vajer som möjligt vid riggning. Dubblera vajern eller välj en avlägsen förankringspunkt.
 - Vinscha **aldrig** med färre än 5 varv med vajer runt trumman, så inte vajern lossnar från trumman.
- Stå **alltid** en bit ifrån vajer och last då vinschen används.
- Rör **aldrig** vajer eller krok som är spänd eller belastad.
- Rör **aldrig** vajer eller krok då någon annan sköter manövern eller då vinschen används.
 - Rör **aldrig** vajer eller krok då fjärrkontrollen är kopplad till vinschen.
 - Stå **alltid** en bit ifrån vajer och last och håll andra borta under vinschningen.
 - Se **alltid** till att den som sköter vinschen och de som står bredvid är medvetna om stabiliteten under vinschning av fordon och/eller last.
 - Se **alltid** till att fjärrkontrollens sladd går fri från trumma, vajer och riggning. Kontrollera att det inte finns några sprickor, något sitter fastklämt, trasiga vajerdelar eller lösa inkopplingar. Skadade delar skall bytas ut.

Säkerhetsföreskrifter – forts.

VARNING



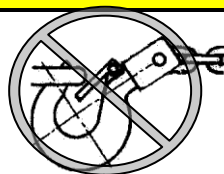
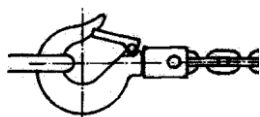
RISK FÖR SKÄRSÅR OCH BRÄNNSKADOR

Om instruktionerna inte följs finns risk för mer eller mindre allvarliga skador

Undvik skador på händer och fingrar:

- Använd alltid kraftiga läderhandskar då vajern hanteras.
- Låt aldrig vajern glida genom händerna.
- Tänk alltid på att ytan på vinschmotorn, trumman eller vajern kan vara varm under eller efter användning.

VARNING



Risk för att fastna i rörliga delar

Om instruktionerna inte följs finns risk för mer eller mindre allvarliga skador.

- Belasta aldrig krokens spets. Fäst alltid lasten mitt på kroken.
- Använd aldrig krokar vars öppning blivit större eller vars spets är böjd eller vriden.

OBSERVERA!

UNDBIK SKADOR PÅ VINSCH OCH UTRUSTNING

- Undvik alltid att enbart dra i sidled, eftersom vajern då kan samlas bara på trummans ena sida. Detta kan skada vajern eller vinschen.
- Se **alltid** till att kopplingen är helt i- eller urkopplad.
- Använd **aldrig** vinschen för bogsering av andra fordon. Chockbelastningar kan tillfälligt överskrida vajerns och vinschens kapacitet.
- Se **alltid** till att fordonsramen inte skadas då fordonet förankras under vinschning.
- Arbeta **aldrig** ryckvis med vajern under belastning. Chockbelastningar kan tillfälligt överskrida vajerns och vinschens kapacitet.
- Använd **aldrig** vinschen till att surra fast laster under transport.
- Sänk **aldrig** ner vinschen i vatten.
- Förvara **alltid** vinschen på en skyddad, ren och torr plats.

Artikelnummer och sladdanslutningar för WARN 4700

ARTIKELNUMMER

94700	12 V likström, 4700# Bruksvinsch
94710	12 V liksröm, 4700# Bruksvinsch - internationell

Komponentförteckning

WARN® 4700 universalvinsch består av följande huvudkomponenter.



1. WARN 4700AC vinschenhet	2. Fjärrkontroll med 3,7 m kabel
3 Linledare ; Gjuten profil	4. 2 st kablar, 1,8 m x 6 gauge
5. Spärrkrok och stropp	6. Monteringsbeslag

Specifikationer för WARN 4700

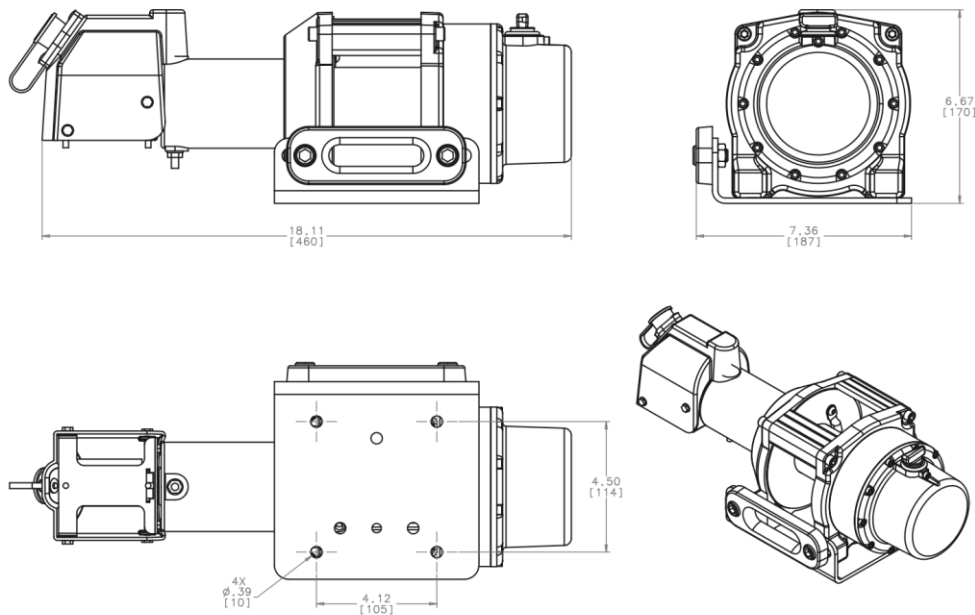
FEATURES			
Dragkapacitet	2130 kg	Broms	Dynamisk och mekanisk bromsning
Kontakttyp	Fjärrkontroll med 3,7 m kabel	Garanti	1 års begränsad garanti
Motor	Permanent magnet	Vajer	6,35 mm x 18,3 m
hk	1,9 hk, 7,62 cm diameter	Trumdiameter	6,35 cm
Ström	12 V likström	Linledare	Gjuten profil
Växellåda	3-stegs planetarisk	Hålmönster	4 hål
Utväxling:	216:01	Elkablar	2 st kablar, 1,8 m x 6 gauge
Koppling	Spak, rörlig i flera riktningar	Vikt:	19,1 kg

Tekniska data för WARN 4700

PRESTANDA: 4700

Last		Ström Amps	Hastighet		Dragkraft per vajerlager		
Lbs.	Kg		Ft/min	M/min	Lager	lbs.	kg
0	0	47	17.9	5.5	1	4700	2130
1000	453.6	82	12.8	3.9	2	3980	1800
2000	907.2	150	10.8	3.3	3	3450	1560
3000	1360.8	212	8.1	2.5	4	3041	1380
4000	1814.4	277	5.8	1.8	5	2720	1230
4700	2132	322	4.3	1.3			

Dimensioner för WARN 4700



Vinschmontering på fast plats

! VARNING

Risk för vinschfel

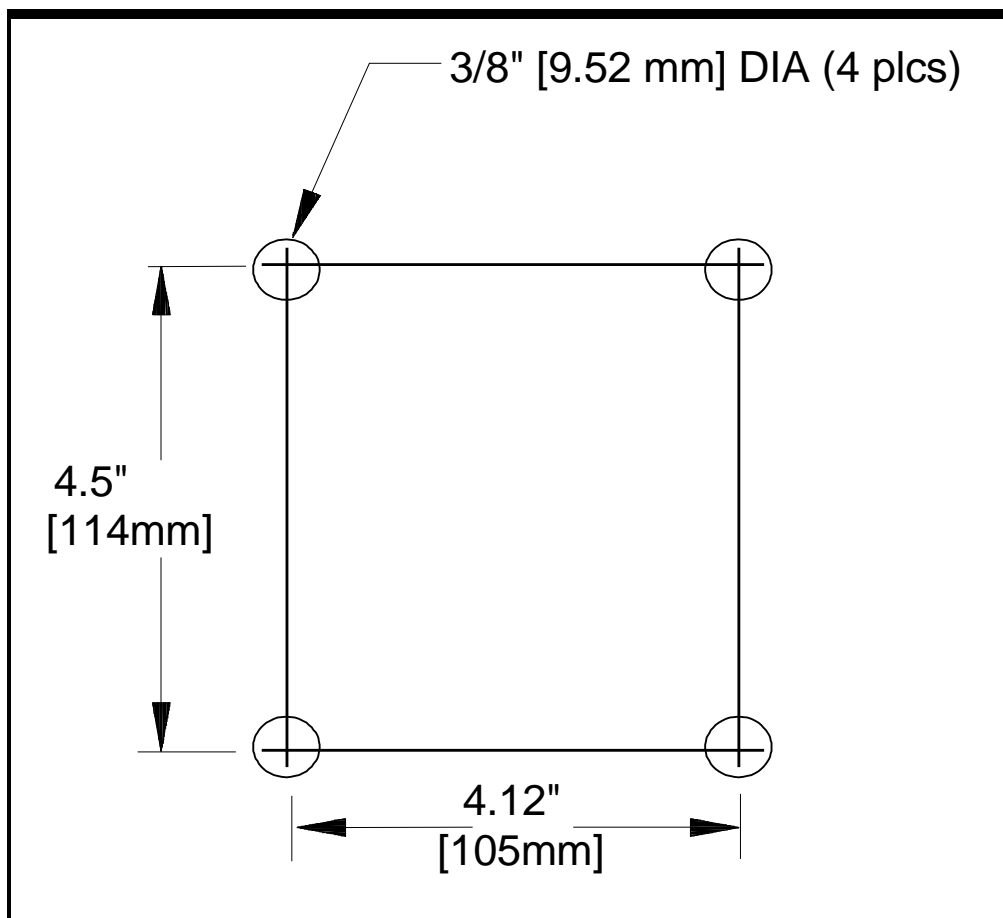
Om instruktionerna inte följs finns risk för mer eller mindre allvarliga skador.

- Välj alltid en monteringsplats som är tillräckligt stadig för att klara de laster du tänker vinscha.**

4700 kan monteras på en fast plats genom användning av vinschenhetens mall för monteringshål. Välj först ut en monteringsplats som är tillräckligt stadig för att klara de laster du tänker vinscha.

Borra sedan 4 hål enligt dimensioner, som specificeras i ritningen nedan.

Mall för hål i monteringsplatta



Vinschmontering på fast plats – forts.

För infästning av vinschen används alltid:

- En plan, stadig monteringsplats av minst 4,8 mm tjock plåt.
- 4 st. 3/8" låsbrickor.
- 4 st. 3/8-16 x 1" långa, sexkantsbultar, klass 5 eller bättre.
- Dra monteringsbultarna till 41-47 Nm.

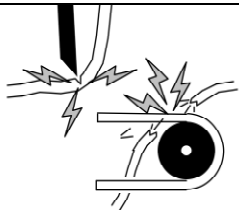
Bultarna kan behöva vara längre än specificerat ovan beroende på tjocklek på det material vinschen monteras på.

Ledningsdragning



Risk för chock

Om instruktionerna inte följs finns risk för mycket allvarliga skador.



- Drag inte elkablar över vassa kanter.
- Drag inte elkablar genom eller i närheten av rörliga delar.
- Läs igenom och följ alla ledningsdragningsinstruktioner i bruksanvisningen.
- Isolera och skydda alla utsatta ledningar och elterminaler.

- Montera batterikablarna med den röda ledningen kopplad till batteriets positiva uttag och den svarta ledningen till batteriets negativa uttag.
- Kontrollera att alla ledningsanslutningar är rena och sitter fast.

Innan vinschen används, skall följande kontrolleras:

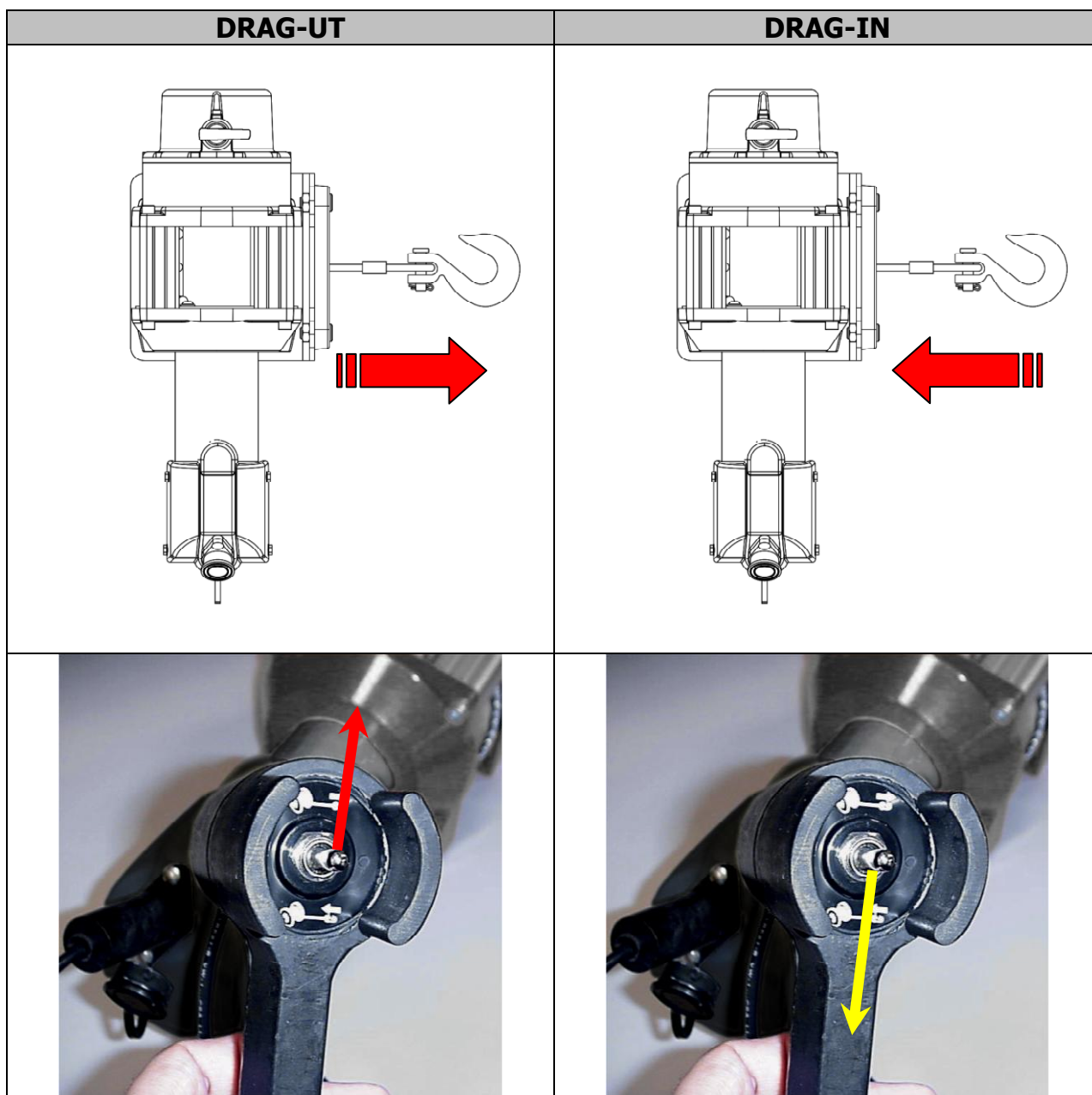
- Se till att ledningsdragningen till alla komponenter är rätt.
- Se till att inga lösa ledningar eller terminaler förekommer, och täck alla exponerade delar med isoleringsplatta, terminalskor, krympplastöverdrag eller eltejp.

Bruksanvisningar

ANVÄNDNING AV FJÄRRKONTROLLEN

Fjärrkontrollen är fast ansluten till vinschen och kan användas i fjärrläge utanför vinschenheten eller med kontrollenheten placerad i monteringsplattan.

Tryck in den svarta knappen (utvinschning) för att spola av vajern från trumman, eller tryck in den vita knappen (invinschning) för att spola upp vajern på trumman.



HUR KOPPLINGEN ANVÄNDS

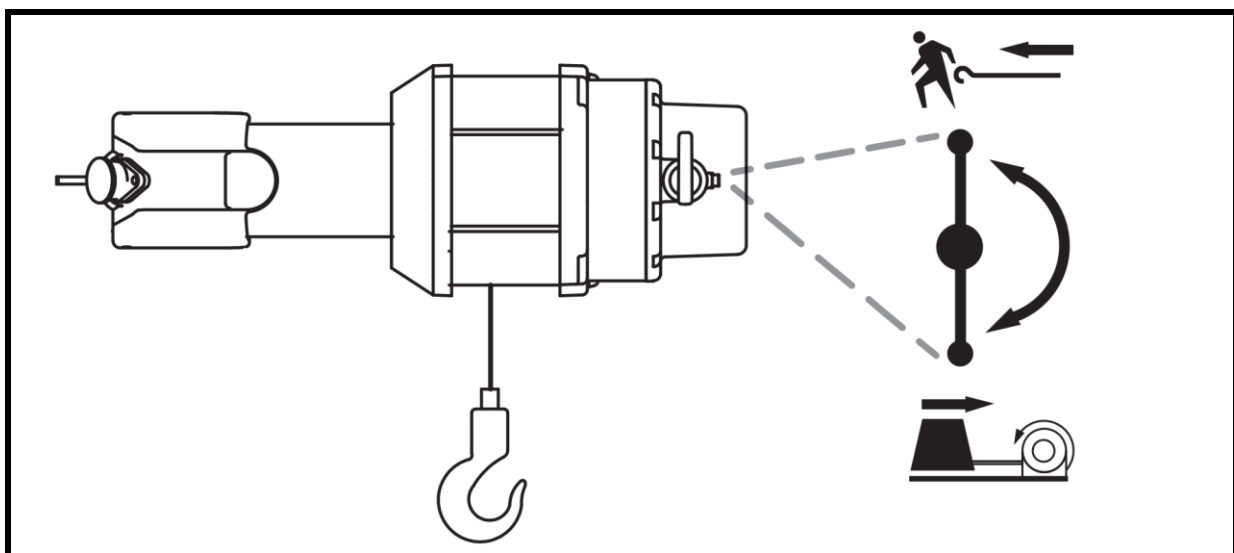
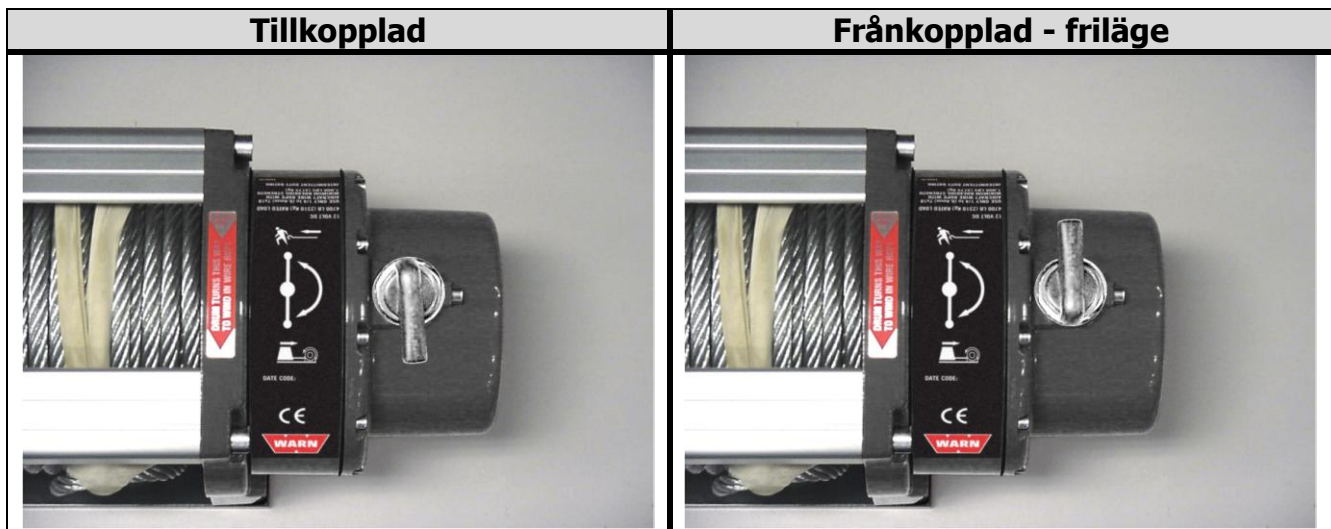
⚠ FARA

Risk för att vinschen inte fungerar

Om instruktionerna inte följs finns risk för allvarliga skador.

- Koppla aldrig i eller ur kopplingen då vinschen är belastad eller vajern är spänd.**

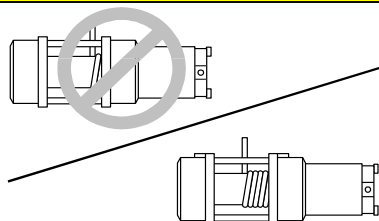
Då kopplingen är inkopplad är kugghjulet kopplat till vajertrumman och ström kan överföras från vinschmotorn. Då kopplingen är i friläge, är kugghjul och vajertrumma inte hopkopplade, vilket gör att trumman kan rotera fritt. Kopplingsspaken, som återfinns ovanpå motorn, kontrollerar kopplingens läge. Undvik skador genom att se till att kopplingsspaken alltid är ordentligt till- eller frånkopplad.



UTSPOLNING

Frikoppling är oftast det snabbaste och enklaste sättet att spola ut vajern. Innan vajern spolas ut under frikoppling skall tillräckligt med vajer släppas ut med motorn, så att eventuell spänning i vajern försvinner innan kopplingen kopplas ifrån. Nu kan fri utspolning ske för hand till dess tillräckligt med vajer erhålls för vinschningen.

VARNING



Risk för personskador

Om instruktionerna inte följs finns risk för mer eller mindre allvarliga skador.

- Använd alltid kraftiga läderhandskar då vajern hanteras.
- Vinscha aldrig med färre än 5 varv vajer runt trumman.

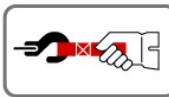
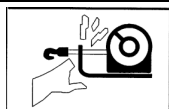
STRÄCKNING AV VAJERN

Vajerns livslängd är direkt beroende av hur den sköts och används. Vid första användningen måste en ny vajer spolas upp på trumman med en belastning av minst 227 kg. Spola ut hela vajerns längd men lämna 5 varv på trumman, och motorspola sedan in vajern med en belastning av 227 kg eller mer. Detta förfarande kommer att sträcka den nya vajern och skapa en bra lindning runt trumman. Om detta inte sker, kan de yttre vajerlindningarna dras in i de inre lindningarna, fastna och skada vajern.

FARA

Risk för att fastna i rörliga delar

Om instruktionerna inte följs finns risk för mycket allvarliga skador.



- Håll **alltid** händerna borta från vajer, ögla, krok och linledaröppning vid montering, användning samt vid in- och utspolning.
- Använd **alltid** bifogad stropp då vajern spolas in eller ut, vid montering eller hantering, så händer och fingrar inte skadas.

INSPOLNING MED BELASTNING

- ❑ Vajern måste alltid spolas upp på trummans botten, som framgår av märket på vinschen.
- ❑ Drag in vajern jämnt och tätt på trumman. Detta förhindrar att de yttre lindningarna dras in i de inre lindningarna, fastnar och skadar vajern.
- ❑ Undvik chockbelastning vid spolning genom att använda kontrollenhetens kontakt intermittent för att ta upp den slaka vajern. Chockbelastning kan momentant vida överskrida vinschens och vajerns kapacitet.

INSPOLNING UTAN BELASTNING

- ❑ **Med hjälp:** Låt en medhjälpare hålla kroken, med krokremmen, med så mycket konstant spänning på vajern som möjligt. Med bibehållen spänning skall medhjälparen sedan gå mot vinschen, medan du använder kontrollenhetens kontakt för att spola in vajern. Släpp kontakten då kroken är minst 1,2 m från linledarens öppning. Spola in resten för förvaring.
- ❑ **Utän hjälp:** Arrangera så att vajern, som skall spolas in inte kinkar eller trasslar till sig under inspolningen. Se till att all vajer, som redan finns på trumman är fördelad i täta och jämna lager. Spola in tillräckligt med vajer för att fullborda nästa hela lager på trumman. Spänn och räta ut lagret. Upprepa proceduren till kroken är minst 1,2 m från linledaren. Spola in resten för förvaring.

SPOLA IN RESTEN FÖR FÖRVARING

Håll händerna borta från vajer, krok och linledarens öppning. Använd alltid stroppen för att hålla i kroken då inspolning sker utan belastning. Motorspola försiktigt in resten av vajern genom att vicka på kontrollenhetens kontakt för att ta upp den sista slaka delen av vajern. Fäst kroken ordentligt på ett lämpligt förankringsställe nära vinschen. Var försiktig så att den inte blir för spänd, för då kan skador uppstå på vajer eller förankringsställe.

RIGGNING

- ❑ Spola alltid ut så mycket vajer som möjligt, som förberedelse för riggning. Välj en förankring så långt bort som är praktiskt, vilket ger vinschen största möjliga dragkraft.
- ❑ Genom att rigga en dubbel vajer med ett lyftblock minskas belastningen på vinschen med hälften utan att märkbart minska spolningshastigheten.
- ❑ Naturliga förankringar såsom träd, stubbar och stenblock är om möjligt bäst. Fäst löpkedjan, löpvajern eller trädstamsskyddet på förankringen så lågt som möjligt för att förhindra att förankringen dras ner. Om många olika förankringsmöjligheter finns, men de inte är starka nog var för sig, kan det vara praktiskt att fästa en löpvajer eller löpkedja runt flera förankringar för att bilda ett starkt gemensamt förankringsställe.

Bruksanvisningar – forts.

ÖVERBELASTNING/ÖVERHETTNING

Denna vinsch är klassad för intermittent arbete. Den skall inte användas genom att sakta ner motorn till ett lågt varvtal. Då motorn närmar sig en hastighet då den stannar sker en mycket snabb värmeuppbyggnad, som kan skada motorn. Riggning med dubbel vajer minskar ampereuttaget från motorn, som ger längre kontinuerlig användning (se riggningsavsnittet)..

Underhåll och garanti

UNDERHÅLL

- Vinschen behöver aldrig smörjas.
- Undersök vajern före och efter varje vinschning. Den skall bytas ut om den är skadad..

GARANTI

Se separat blad som kom med vinschen

- eller -

Om garantibeskedet saknas, kontakta:

**Warn Industries, Inc.
Customer Service Dept.
12900 SE Capps Road
Clackamas, OR 97015, USA**

Inom USA:

Tel: (503) 722-1200 eller (800) 543-9276 (endast USA)

Fax: 503.722-3000

Utanför USA:

Tel: +1 503.722.3008

Fax: +1 503.722.3005

© 2010 Copyright Warn Industries, Inc. All rights reserved.





MANUAL DE OPERAÇÃO DA WARN® 4700 Utility Winch N° de peça: . 94700, 94710



A sua segurança e a segurança dos outros são muito importantes. Para o ajudar a tomar decisões correctas sobre segurança, fornecemos-lhe instruções de instalação e funcionamento e outras informações nos rótulos dos produtos e neste guia. Estas informações alertam-no para perigos potenciais que podem provocar ferimentos em si ou em terceiros. Não é possível avisá-lo sobre todos os perigos potenciais associados a este produto. Tem de ter senso comum.

A INSTALAÇÃO E O FUNCIONAMENTO DESATENTOS DO GUINCHO PODEM RESULTAR EM FERIMENTOS GRAVES OU DANOS NO EQUIPAMENTO. LEIA E COMPREENDA TODAS AS MEDIDAS DE SEGURANÇA E INSTRUÇÕES DE FUNCIONAMENTO ANTES DE INSTALAR E COLOCAR ESTE PRODUTO EM FUNCIONAMENTO.

Este manual identifica perigos potenciais e tem mensagens importantes sobre segurança para o ajudar a evitar ferimentos ou mesmo morte, quer em si quer em terceiros. **ADVERTÊNCIA** e **CUIDADO** são palavras de aviso que identificam o nível de perigo. Estas palavras de aviso significam:

 **ADVERTÊNCIA** assinala um perigo que *poderá* causar ferimentos graves ou morte se não seguir as recomendações apresentadas.

 **CUIDADO** assinala um perigo que *poderá* causar um ferimento ligeiro a grave, se não seguir as recomendações apresentadas.

Este manual usa **AVISO** para chamar a atenção para informações mecânicas importantes e **Obs.:** para enfatizar informações gerais que mereçam atenção especial.

Descrição do Produto: Guincho WARN® 4700

O guincho WARN® 4700 Utility Winch é um potente instrumento de tracção. Com um motor de 12 Volts, este guincho compacto tem uma capacidade de tracção de 4700 libras / 2130 quilos.

A unidade possui um interruptor do comando à distância para funcionamento de enrolamento e desenrolamento automáticos, 18,3 m (60 pés) de cabo metálico de 6,35 mm (1/4 de pol.) e um gancho com uma abraçadeira de segurança. Uma embraiagem de enrolamento automático é uma opção padrão.

Introdução

Agradecemos a sua preferência pelos guinchos WARN®. Todos os produtos da WARN® foram concebidos e fabricados para funcionarem durante muito tempo sem problemas. Para referência futura, por favor dê-nos as seguintes informações:

Nº de peça: _____ Data da compra: _____

Antes de começar

- Leia todas as instruções para se familiarizar com o processo de instalação.
- Reveja todos os avisos, cuidados e precauções para se certificar que as peças são instaladas correctamente e com segurança.

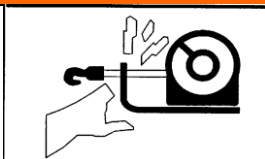
Medidas de Segurança

A seguir poderá encontrar medidas de segurança gerais que qualquer operador de guinchos deve conhecer. No entanto, a regra mais importante de todas as que aqui são enumeradas, é: **USE SENSO COMUM**.

Bastam alguns minutos de leitura destas regras para que o operador tome conhecimento das práticas perigosas a evitar e das precauções a tomar para a sua segurança e a segurança dos outros. Os exames frequentes e inspeções periódicas do equipamento, assim como a observância conscienciosa das regras de segurança, podem salvar vidas assim como tempo e dinheiro.



ADVERTÊNCIA



PERIGO DE ENREDAMENTO DE PEÇAS EM MOVIMENTO

A não observância das instruções pode provocar ferimentos ligeiros ou moderados.

Para evitar ferimentos nas mãos.

- Mantenha **sempre** as mãos longe do cabo de aço, laço do gancho e abertura do fairlead durante a instalação, funcionamento e durante o enrolamento ou desenrolamento.
- Use **sempre** muito cuidado quando trabalhar com o gancho e cabo de aço durante o enrolamento ou desenrolamento.
- Use **sempre** a cinta do guincho fornecida pelo fabricante quando enrolar ou desenrolar o cabo durante a instalação ou funcionamento para evitar ferimentos nas mãos.



ADVERTÊNCIA



PERIGO DE QUEDA OU ESMAGAMENTO

A não observância das instruções pode provocar ferimentos ligeiros ou moderados.

- **Nunca** utilize como um elevador ou para suspender cargas.
- **Nunca** utilize para levantar ou movimentar pessoas.

CUIDADO

PERIGO DE ENREDAMENTO DE PEÇAS EM MOVIMENTO

A não observância das instruções pode provocar ferimentos ligeiros ou moderados.

Regras Gerais de Segurança:

- Conheça **bem** o seu guincho: Leia com atenção o Manual de Instruções que acompanha o guincho e o Manual Básico de Técnicas de Funcionamento do Guincho de forma a que compreenda muito bem o guincho e seu funcionamento.
- **Não** trabalhe com o guincho se tiver menos de 16 anos.
- **Não** trabalhe com o guincho se se encontrar sob a influência de droga, álcool ou medicamentos.
- **Não** exceda a capacidade do guincho ou do cabo de aço. Dobre a linha usando uma patesca para reduzir a carga do guincho.

Medidas de Segurança durante a instalação:

- Escolha **sempre** um local de montagem suficientemente forte para suportar a capacidade máxima de tracção do seu guincho.
- Utilize **sempre** interruptores, comandos à distância, acessórios e componentes de instalação aprovados pelo fabricante.
- Utilize **sempre** ferragens de grau 5 ou superior, nunca solde parafusos nem utilize parafusos mais compridos do que os fornecidos pelo fabricante.
- Termine **sempre** a montagem do guincho e a ligação do gancho ao laço do gancho antes de ligar o guincho durante a instalação.
- Coloque **sempre** a antena com a etiqueta "CUIDADO" virada para cima.
- Enrole o cabo de aço na bobina como indicado pela etiqueta de rotação do tambor no guincho. Necessário para que o travão automático funcione (se o guincho estiver assim equipado) e para uma instalação correcta.
- Estique o cabo de aço e enrole-o sob carga antes de o utilizar. Se o cabo de aço for enrolado de forma contrita, diminui a possibilidade de "dobragem" que acontece quando o cabo fica com laçadas e se danifica.

Segurança a trabalhar com o guincho:

- Verifique **sempre** a instalação do guincho e o estado do cabo metálico antes de colocar o guincho em funcionamento. O cabo fragilizado, desfiado ou danificado deve ser substituído imediatamente. Qualquer falha na instalação do guincho deve ser rectificada imediatamente.
- **Nunca** enrole o cabo metálico no próprio cabo. Tal danifica o cabo. Utilize sempre uma corrente de obstrução, cabo metálico de obstrução ou protector do tronco da árvore na âncora.
- **Antes** de começar a trabalhar com o guincho, retire qualquer elemento que possa interferir com o funcionamento do guincho em segurança.
- **Demore** o tempo necessário para fazer o alinhamento para efectuar uma tracção.
- Certifique-se **sempre** que a âncora que escolheu suporta o peso da carga e que a cinta ou corrente não vai deslizar.
- **Não** engate nem desengate a embraiagem se o guincho se encontrar sob carga, o cabo de aço se encontrar sob tensão ou o tambor do cabo de aço se encontrar em movimento.
- Desenrole **sempre** a maior quantidade possível de cabo quando fizer o alinhamento. Dobre a linha ou arranje um ponto de ancoragem distante.
- **Nunca** utilize o guincho com menos de 5 voltas de cabo à volta do tambor; o cabo pode soltar-se do tambor.
- Mantenha-se afastado do cabo metálico e da carga durante o funcionamento.
- **Nunca** toque no cabo metálico ou no gancho enquanto estes estiverem sob tensão.
- **Não** toque no cabo de aço ou no gancho quando outra pessoa se encontrar no painel de controlo ou durante o içamento.
- **Não** toque no cabo ou no gancho enquanto o comando à distância estiver ligado ao guincho.
- Mantenha-se afastado do cabo de aço e da carga e mantenha outros afastados enquanto trabalha com o guincho.
- Certifique-se que o operador e ajudantes estão conscientes da importância da estabilidade durante o içamento de veículos e/ou cargas.
- Mantenha **sempre** o comando à distância longe do tambor do cabo de aço. Verifique se há rachas, falhas, fios desfiados ou ligações soltas. Substitua quando danificado.

Medidas de Segurança - Continuação

CUIDADO



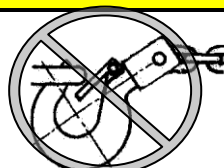
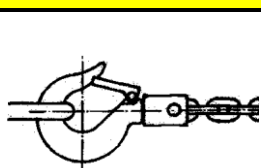
Perigo de Corte ou Queimadura

A não observância das instruções pode provocar ferimentos ligeiros ou moderados.

Para evitar ferimentos nas mãos ou nos dedos:

- Use luvas de cabedal grossas quando utilizar o cabo metálico.
- **Nunca** permita que o cabo metálico escorregue nas mãos.
- Durante o funcionamento do guincho, esteja **sempre** ciente da possibilidade de a superfície junto ao motor do guincho, do tambor ou do cabo metálico, estar quente.

CUIDADO



Perigo de enredamento de peças em movimento

A não observância das instruções pode provocar ferimentos ligeiros ou moderados.

- Nunca aplicar uma carga na ponta ou na lingueta do gancho. Aplicar a carga apenas na parte central do gancho.
- Nunca utilizar um gancho em que a abertura do trinco tenha aumentado ou com a ponta dobrada ou torcida.

AVISO

EVITE DANOS NO GUINCHO E NO EQUIPAMENTO

- Evite **sempre** puxar para o lado de forma contínua, o que pode resultar no amontoar de cabo numa das extremidades do tambor, o que pode danificar o cabo de aço ou o guincho.
- Certifique-se **sempre** que a embraiagem se encontra engatada ou desengatada.
- **Não** utilize o guincho para rebocar outros veículos. As cargas exageradas podem exceder momentaneamente a capacidade do cabo de aço e do guincho
- Tenha **sempre** muito cuidado para não danificar a sua estrutura quando fixar o seu veículo durante uma operação de levantamento.
- **Não** "atire" cabo de aço para debaixo de uma carga. As cargas exageradas podem exceder momentaneamente a capacidade do cabo de aço e do guincho.
- **Não** use o guincho para segurar uma carga durante o transporte.
- **Não** submerja o guincho em água.
- Guarde o guincho numa área protegida, limpa e seca.

N. de peça & Cord ends do WARN 4700

NÚMEROS DAS PEÇAS

94700	Guincho Utilitário N°. 4700, 12 V, CC
94710	Guincho Utilitário N°. 4700, 12 V, CC - Internacional

Lista de Peças

O guincho WARN® 4700 tem os seguintes componentes principais.



1. Guincho WARN 4700AC	2. Controlo à distância com fio condutor de 3,7 m
3. Guia: Sim	4. 2 cabos de 1,8 m de comprimento de calibre 6
5. Engate do gancho e cinta do gancho	6. Gancho

Dados Específicos do Guincho WARN 4700

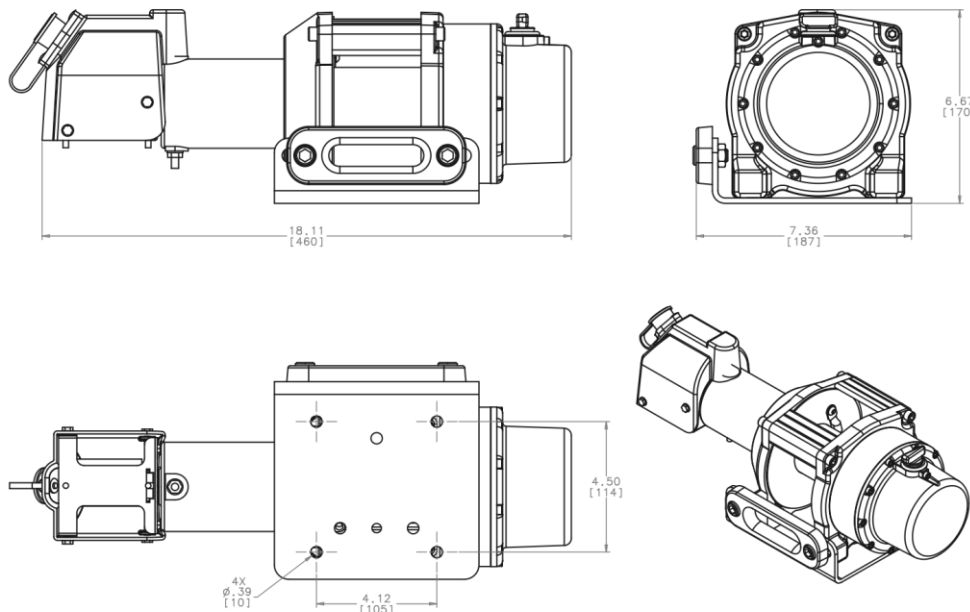
CARACTERÍSTICAS			
Capacidade de tracção	2130 kg	Travão	Travagem dinâmica e mecânica
Tipo de comutador	Controlo à distância com fio condutor de 3,7 m	Garantia	Limitada a 1 ano
Motor	Ímã permanente	Cabo metálico:	6,35 mm x 18,3 m
HP	1,9 HP de 7,6 cm de diâmetro	Diâmetro do tambor	6,35 cm
Corrente	12 V. CC.	Guia do cabo	Sim
Jogo de engrenagem	Planetário de 3 níveis	Padrão dos furos	4 furos
Proporção da engrenagem	216:01	Fios condutores de electricidade	2 cabos de 1,8 m de comprimento de calibre 6
Embraiagem	Alavanca - multi-direccional	Peso	19,1 kg

Dados do Desempenho do Guincho WARN 4700

DADOS DO DESEMPENHO: 4700

Carga		Corrente	Velocidade		Poder de tracção por camada de cabo de aço		
Lbs.	Kg		Amps	Ft/min	M/min	Camada	lbs.
0	0	47	17.9	5.5	1	4700	2130
1000	453.6	82	12.8	3.9	2	3980	1800
2000	907.2	150	10.8	3.3	3	3450	1560
3000	1360.8	212	8.1	2.5	4	3041	1380
4000	1814.4	277	5.8	1.8	5	2720	1230
4700	2132	322	4.3	1.3			

Dimensões do WARN 4700



Instalação do guincho num ponto fixo

! CUIDADO

Perigo de falha do guincho

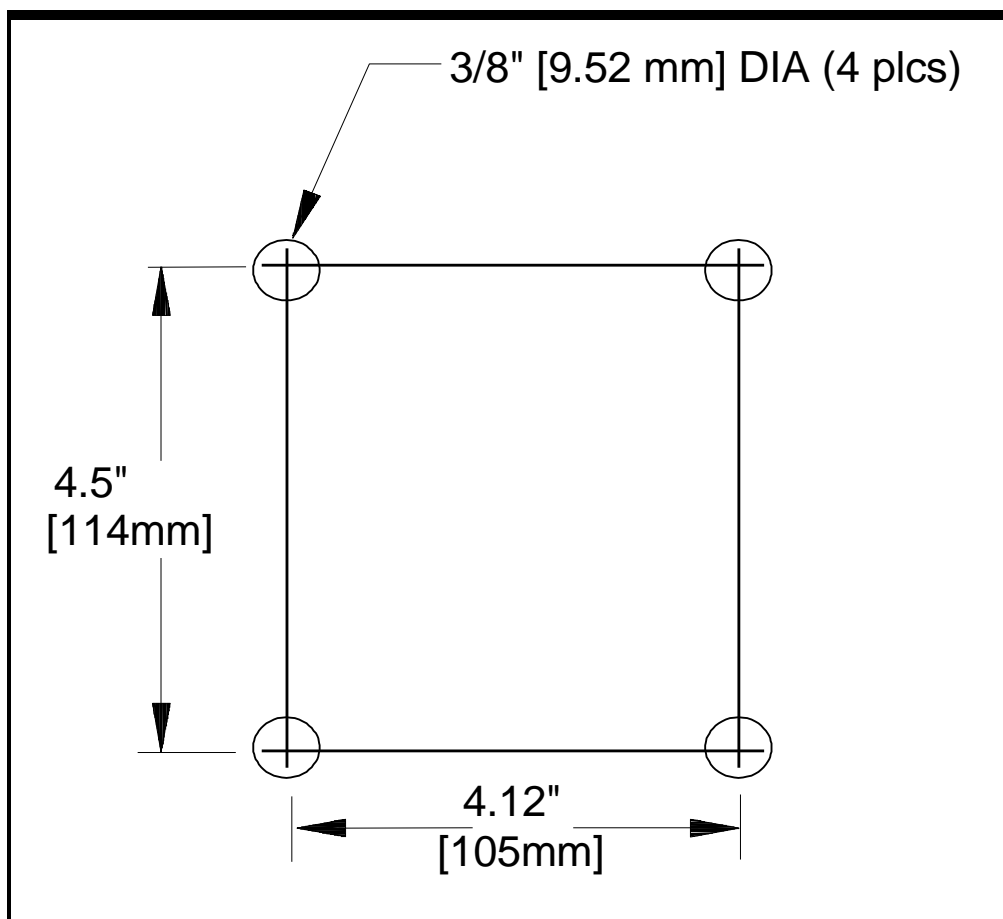
A não observância das instruções pode provocar ferimentos ligeiros ou moderados.

- Escolha um local de montagem que seja suficientemente forte para suportar a carga que deseja levantar.

O guincho 4700 pode ser montado num ponto fixo utilizando o padrão de furos de montagem para o guincho. Escolha um local de montagem que seja suficientemente forte para suportar a carga que deseja levantar.

Depois, faça 4 furos nas dimensões especificadas no gráfico indicado a seguir.

Padrão de furos na placa de montagem



Instalação do guincho num ponto fixo - continuação

Para segurar o guincho use sempre:

- Um local de montagem plano e seguro, em aço, com pelo menos 3/16 in. (4.8 mm) de espessura.
- Uma arruela de aperto de 3/20,32 cm. x 4.
- Um parafuso de tampa hexagonal, comprido, de 3/8-16 x 25,40mm, de grau 5 ou superior a 4.
- Parafusos de montagem do binário para 30-35 ft-lbs (41-47 Nm).

Os parafusos podem ter de ser mais compridos do que o especificado dependendo da espessura do material em que o guincho estiver montado.

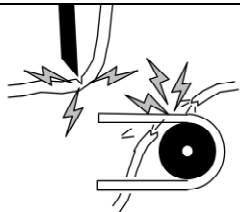
Ligações Eléctricas



ADVERTÊNCIA

Perigo de choque

A não observância das instruções pode provocar ferimentos ligeiros ou moderados.



- Não passe os cabos eléctricos através de superfícies pontiagudas.
- Não passe os cabos eléctricos através de ou perto de peças em movimento.
- Leia e siga todas as instruções sobre a instalação eléctrica, neste manual do utilizador.
- Isole e proteja todos os cabos e terminais eléctricos expostos.

- Instale os cabos da bateria ligando a ponta vermelha ao terminal positivo da bateria e a ponta preta ao terminal negativo da bateria.
- Certifique-se que todas as ligações dos cabos eléctricos se encontram limpas e apertadas.

Verifique o seguinte antes de usar o guincho:

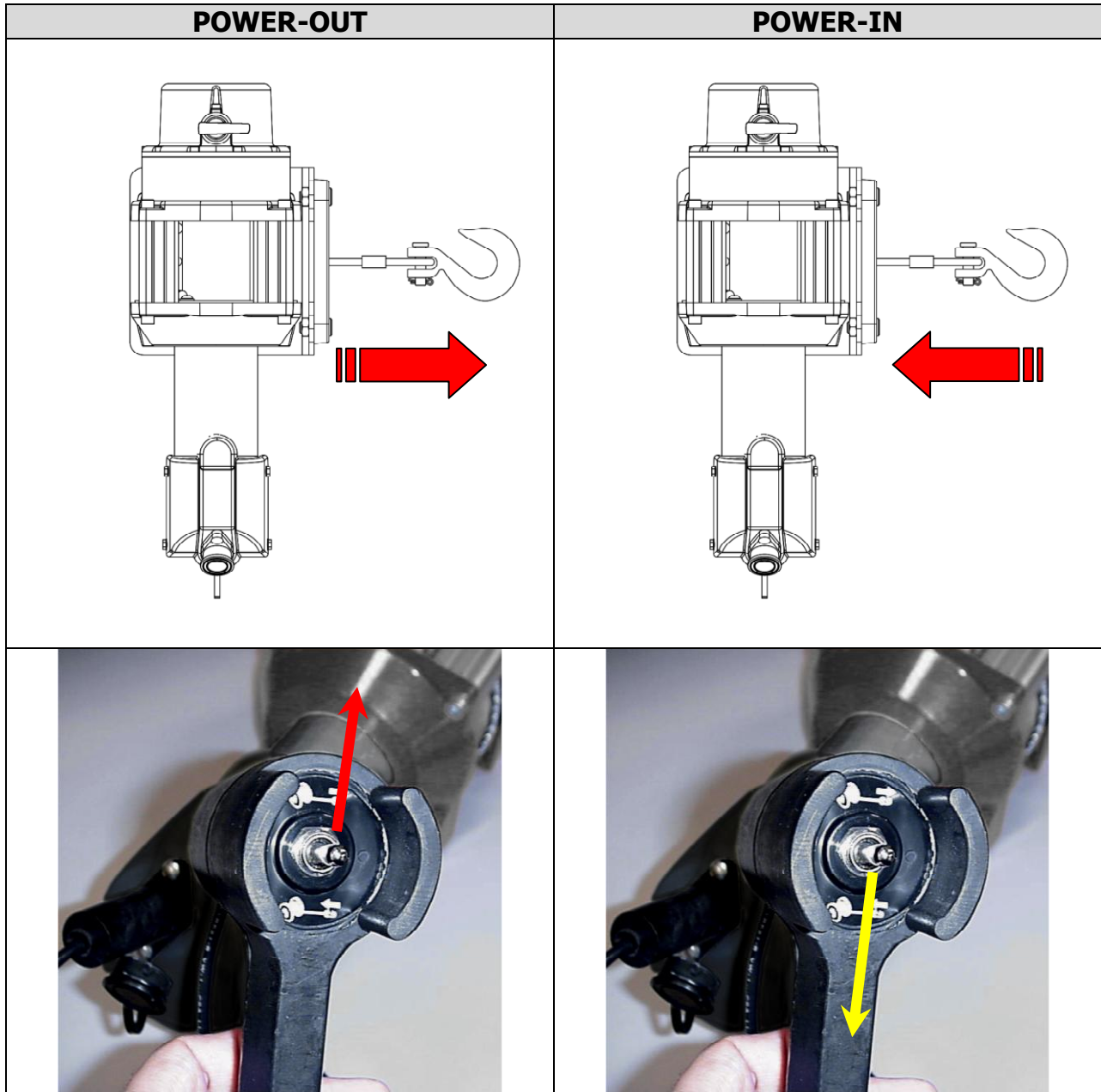
- A ligação de todos os componentes foi efectuada correctamente.
- Não há terminais ou cabos eléctricos expostos. Qualquer exposição deve ser eliminada, cobrindo com fita isoladora, protecções de terminais ou tubagem térmica de electricista.

Instruções de funcionamento

UTILIZAÇÃO DO CONTROLO À DISTÂNCIA

O controlo à distância encontra-se ligado ao guincho e pode funcionar longe do guincho ou encaixado no instrumento de transporte.

Carregue no botão preto "power-out" para desenrolar o cabo do tambor ou carregue no botão branco "power-in" para enrolar o cabo no tambor.



FUNCIONAMENTO DA EMBRAIAGEM

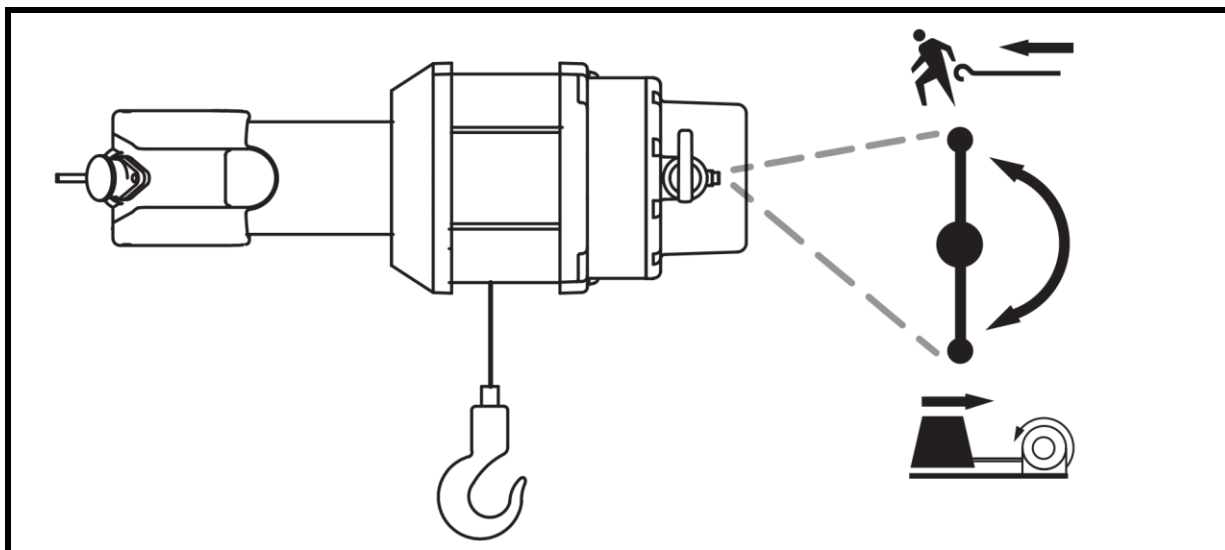
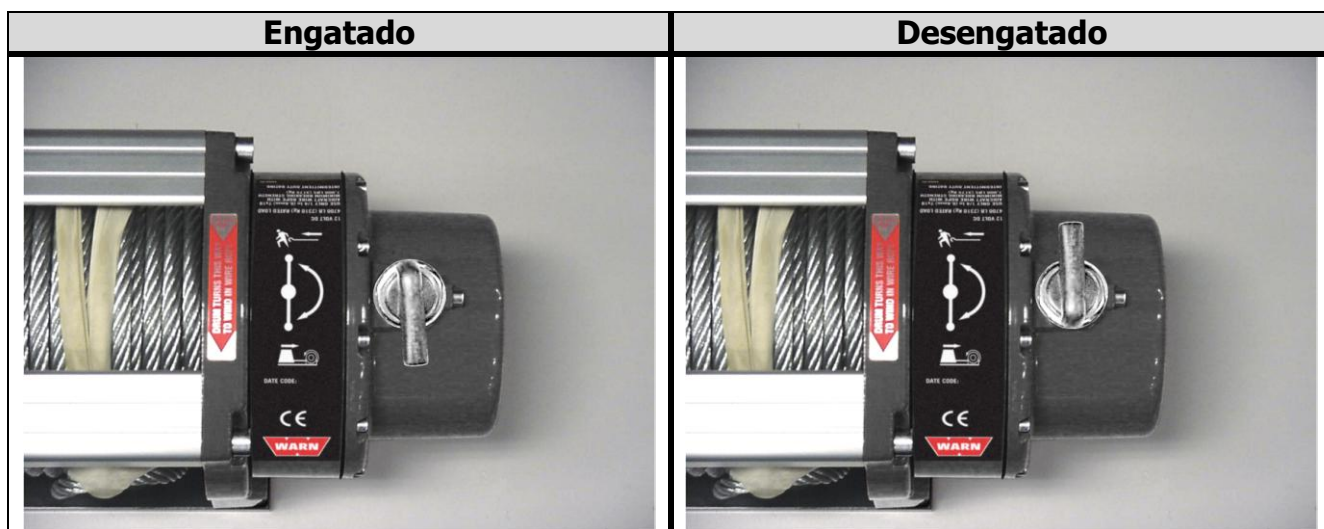
ADVERTÊNCIA

Perigos associados ao funcionamento do guincho

A não observância das instruções pode provocar ferimentos ligeiros ou moderados.

- ❑ Não engate nem desengate a embraiagem quando o guincho estiver sob carga ou o cabo estiver sob tensão.

Quando a embraiagem se encontra engatada, o trem de engrenagem é engatado no tambor do cabo metálico e a energia pode ser transferida do motor do guincho. Quando a embraiagem se encontra em movimento livre, o trem de engrenagem e o tambor do cabo metálico são desengatados permitindo a livre rotação do tambor. A alavanca da embraiagem, localizada na parte superior da caixa de mudanças, controla a posição da embraiagem. Para impedir estragos, engate ou desengate sempre e completamente a alavanca da embraiagem.



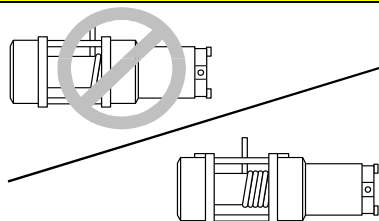
Instruções de funcionamento - Continuação

DESBOBINAGEM

A livre movimentação é, geralmente, o meio mais rápido e mais fácil de desbobinar o cabo metálico. Antes de desbobinar o cabo metálico do guincho, desprenda uma quantidade de cabo suficiente para remover qualquer tensão a que o cabo metálico tenha estado sujeito antes de desengatar a embraiagem. Em seguida, desbobine desprendendo manualmente o cabo metálico para a operação de levantamento.



CUIDADO



Perigos de Danos Pessoais

A não observância das instruções pode provocar ferimentos ligeiros ou moderados.

- Use luvas de cabedal grossas quando utilizar o cabo metálico.
- Nunca faça levantamentos com menos de 5 voltas de cabo metálico à volta do tambor.

ESTICAR O CABO METÁLICO

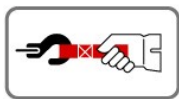
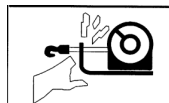
O prazo de duração de um cabo metálico está directamente relacionado com o cuidado e uso a que está sujeito. Na primeira vez que é utilizado, o cabo metálico deve ser bobinado para o tambor sobre uma carga de pelo menos 500 lb. (227kg). Desbobine todo o comprimento do cabo metálico deixando 5 voltas no tambor, e depois enrole o cabo metálico sobre uma carga de, ou superior a 500 lb. (227kg). Isto vai esticar o novo cabo metálico e criará uma boa protecção de arame à volta do tambor. Se isto não for feito, as voltas exteriores infiltram-se nas interiores dobrando e estragando o cabo metálico.



ADVERTÊNCIA

Perigo de enredamento de peças em movimento

A não observância das instruções pode provocar ferimentos ligeiros ou moderados.



- Mantenha **SEMPRE** as mãos afastadas do cabo metálico, gancho e abertura do guia do cabo durante a instalação, funcionamento, enrolamento e desenrolamento.
- Utilize **SEMPRE** a cinta do gancho fornecida pelo fabricante quando enrolar ou desenrolar o cabo durante a instalação ou funcionamento do guincho para evitar ferimentos nas mãos.

BOBINAGEM SOBRE CARGA

- ❑ O cabo metálico deve sempre enrolar na parte inferior do tambor como indicado nos decalques do guindaste.
- ❑ Enrole automaticamente o cabo metálico de forma uniforme e apertada no tambor. Isto vai impedir que as voltas exteriores se infiltrem nas interiores dobrando e estragando o cabo metálico.
- ❑ Evite choques de cargas enquanto bobina, usando o comutador de controlo intermitentemente para eliminar a corda laça. O choque das cargas pode momentaneamente exceder em muito a capacidade do guincho e do cabo do arame.

BOBINAGEM SEM CARGA

- ❑ **Com assistência:** Peça ao seu assistente que segure o gancho de forma a que o grampo do gancho coloque tanta tensão constante quanto possível no cabo metálico. Enquanto mantém a tensão, o assistente deve caminhar para o guincho enquanto você manipula o comutador de controlo bobinando o cabo metálico. Largue o comutador quando o gancho se encontrar a pelo menos 4 ft (1.2m) da abertura do guia do cabo. Bobine o restante para armazenamento.
- ❑ **Sem assistência:** Arranje o cabo metálico para ser bobinado de forma a que não forme nós ou se embrulhe quando for bobinado. Certifique-se que todos os cabos de arame do tambor se encontram acamados apertada e uniformemente. Bobine suficiente cabo metálico de forma a completar a próxima camada completa no tambor. Aperte e endireite a camada. Repita o processo até que o gancho se encontre a pelo menos 4ft (1.2m) do guia do cabo. Bobine o restante para armazenamento.

BOBINAGEM DO RESTANTE PARA ARMAZENAMENTO

Mantenha as mãos afastadas do cabo metálico, gancho e abertura do guia do cabo. Utilize sempre o grampo do gancho para segurar o gancho quando estiver a bobinar sem carga. Enrole automática e cuidadosamente o restante do cabo metálico, tocando no comutador de controlo para eliminar a corda laça. Segure o gancho num ponto de ancoragem perto do guincho. Certifique-se que não aperta demasiado porque pode danificar o cabo metálico ou o ponto de ancoragem.

MONTAGEM

- ❑ Quando preparar a montagem, bobine sempre tanto cabo metálico quanto possível. Escolha um ponto de ancoragem tão afastado quanto for possível. Isto para que o guincho exerça a sua mais elevada capacidade de levantamento.
- ❑ A montagem da linha dupla com uma patesca reduzirá para metade a carga no guincho sem que seja significativamente perdida a velocidade de bobinagem.
- ❑ As âncoras naturais tais como árvores, cepos e rochas são as mais convenientes, quando disponíveis. Amarre a corrente de aperto, cabo metálico de aperto, ou protector do tronco da árvore na âncora o mais baixo possível para evitar puxar a âncora para baixo. Se tiver várias âncoras disponíveis, mas que não sejam suficientemente fortes individualmente, poderá amarrar um arame ou corrente de aperto à volta de várias âncoras para formar um ponto de ancoragem colectivo forte.

Instruções de funcionamento - Continuação

SOBRECARGA/SOBREAQUECIMENTO

Este guincho destina-se a rendimento intermitente. Não deve ser posto em funcionamento com o motor reduzido para um número de RPM baixo. Quando o motor se aproxima da velocidade de perda, ocorre um aquecimento muito rápido, que pode danificar o motor. A montagem de linha dupla reduzirá a amperagem de tracção do motor permitindo uma utilização contínua mais longa (veja secção de montagem).

Maintenance & Warranty Manutenção e Garantia

MANUTENÇÃO

- ❑ Não é necessário lubrificar o guincho.
- ❑ Verifique o cabo metálico antes e depois de cada operação de levantamento. Substitua quando danificado.

GARANTIA

veja o folheto que acompanha o guincho

-ou-

Se perder a garantia por favor contacte:

**Warn Industries, Inc.
Customer Service Dept.
12900 SE Capps Rd
Clackamas, OR 97015-8903.**

Estados Unidos:

Telefone: 503.722.1200 ou (800) 543-9276 (apenas nos EUA)

Fax: 503.722-3000

Internacional:

Telefone: 503.722.3008

Fax: 503.722.3005

© 2010 Copyright Warn Industries, Inc. All rights reserved.

