

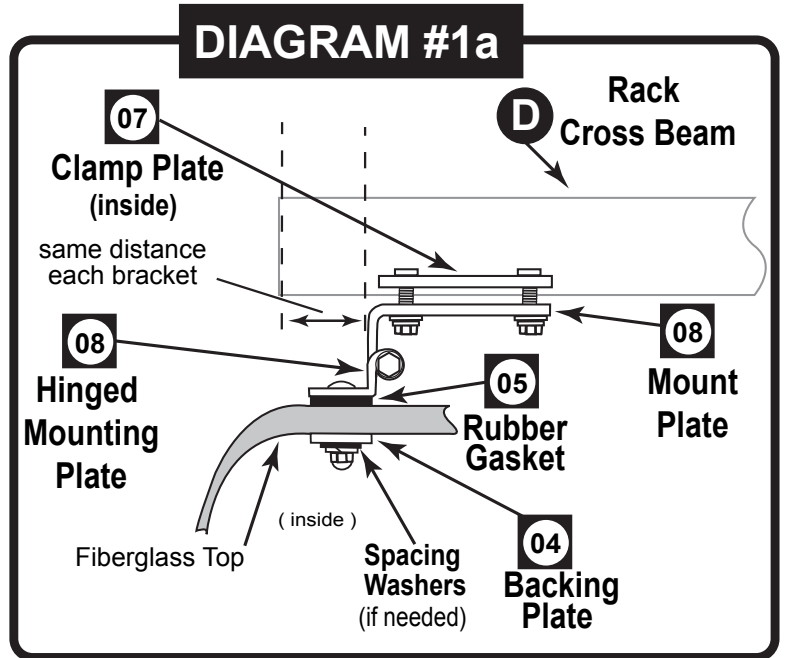
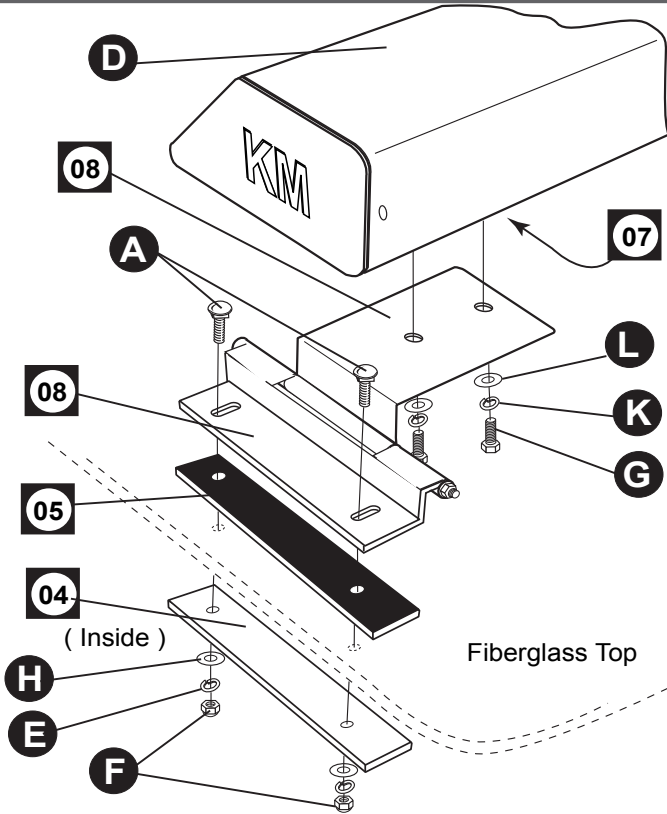


# " FIBERGLASS TOP MOUNT KIT "

For TECHNICAL SUPPORT Call:  
1-800-343-7486

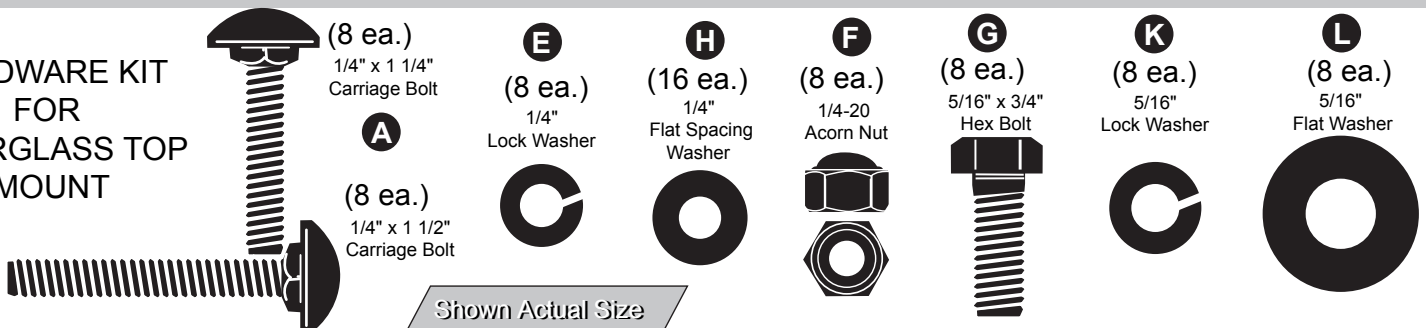
Monday- Friday 8:00 A.M. to 4:30 P.M. (PACIFIC)

HARDWARE KIT # 50721



- #1= Align mount plate holes with clamp plate holes (in cross beams **D**) and attach mount plates **08** with bolts **G**, lock washers **K**, and flat washers **L**, finger tight so mount can easily slide on cross beams, further adjustments will be necessary.
- #2= Walk rack from the rear of the vehicle with one person on each side. Now slide mount plates **08** to desired location on roof top, making sure mount plates are located on the thick part of roof, not the thinner shoulder sides. Inspect interior surface to be sure no obstructions exist. If obstructions are present reposition rack accordingly. Be sure rack is in it's final position, level, square and centered side to side, with equal distance from each mounting plate to the shoulder of the roof, and from each end cap to each mount plate **08**. After final positioning of rack, tighten bolts **G** and hinge nut and bolt.
- #3= Next mark through holes in hinged plate **08** with marking pencil and drill through roof top using a 9/32" drill bit.
- #4= Attach hinged mount plate **08** using the appropriate length of bolt **A** depending on the thickness of the roof. Insert rubber gasket **05** between mount plate **08** and roof top, as per **Diagram #1a**. Attach backing plate **04** with flat washers **H** (for spacing if needed), lock washers **E** and acorn nuts **F**. **Do not over tighten** mounting hardware to ensure fracture free installation on fiberglass tops.
- #6= Give all bolts a final tightening and THAT'S IT! Your installation is complete.

HARDWARE KIT  
FOR  
FIBERGLASS TOP  
MOUNT



Shown Actual Size