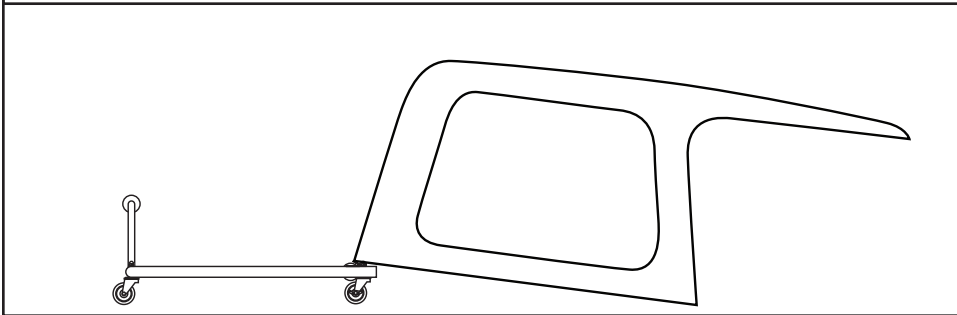
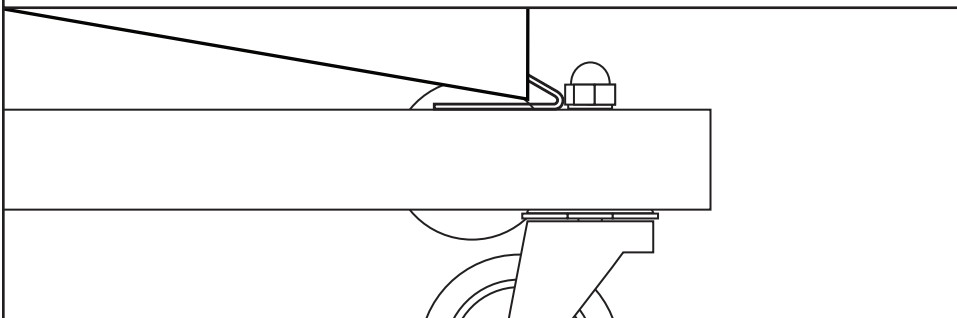


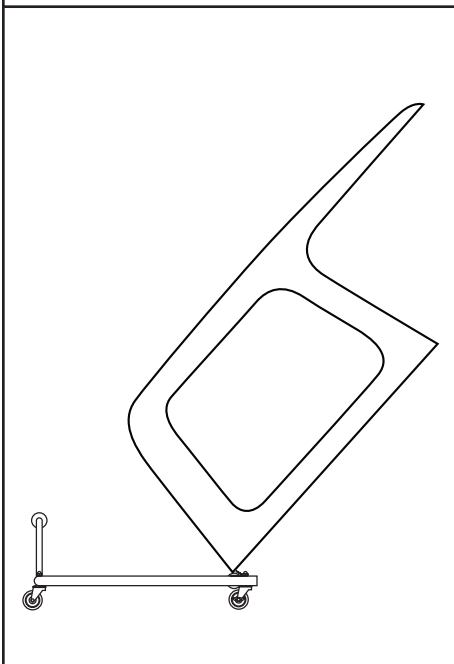
**1** LAY JEEP HARDTOP ON CARRIER FRAME



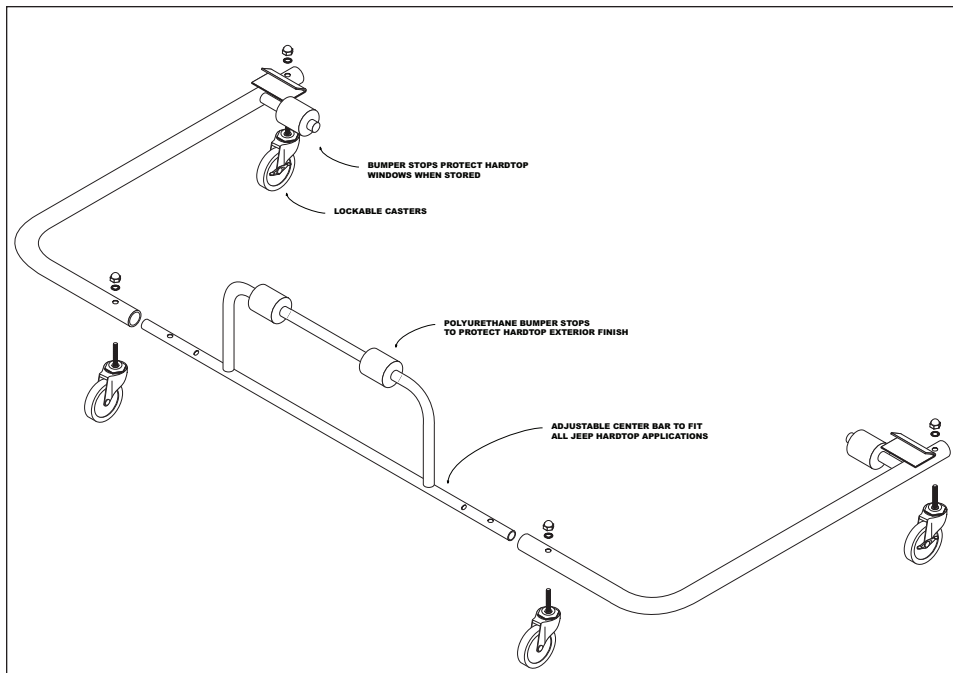
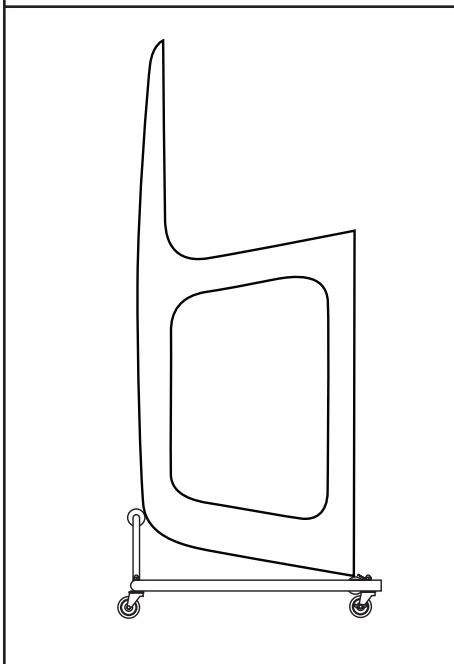
**2** ALIGN HARDTOP REAR WITH HARDTOP CARRIER BRACKETS



**3** PIVOT JEEP HARDTOP ON FRAME



**4** REST JEEP HARDTOP ON BUMPER



# HARDTOP CARRIER FOR JEEP WRANGLER

FOR JEEP CJ®, WRANGLER®, YJ®, and TJ® with original equipment or aftermarket hardtops

Carefully read all instructions before proceeding with assembly/use.



# SURCO

PRODUCTS, INC.

# ASSEMBLY INSTRUCTIONS FOR HARDTOP CARRIER

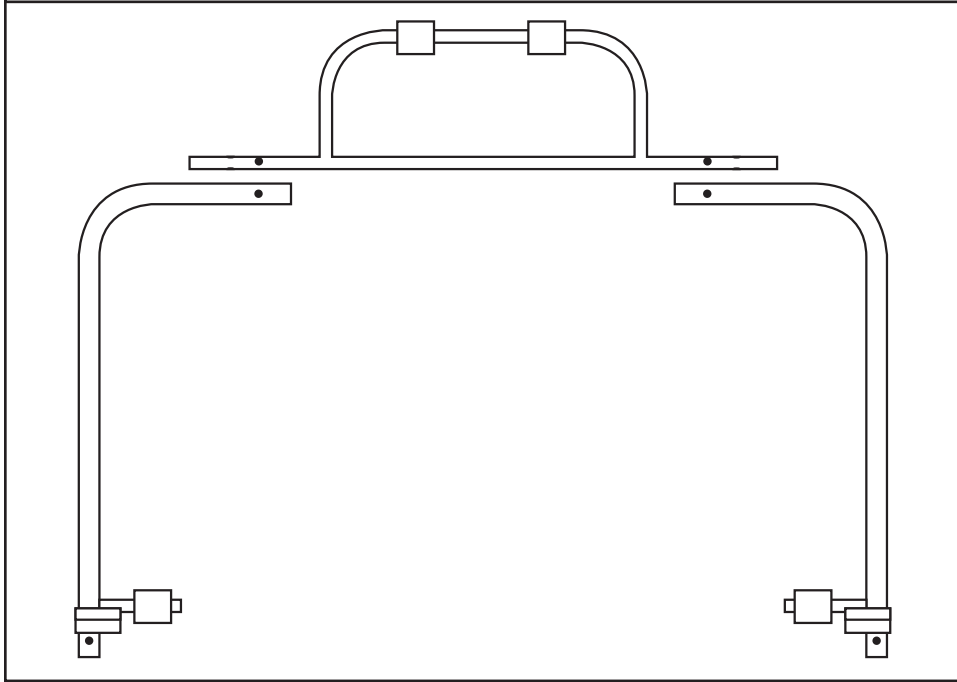
**1** JEEP WRANGLER  
HARDTOP 1967-2006

**2** JEEP WRANGLER  
HARDTOP 2007-2010

BUILD A WIDE TRACK CARRIER FOR  
OLDER MODEL YEAR HARDTOPS

BUILD A NARROW TRACK CARRIER  
FOR NEWER MODEL YEAR HARDTOPS

## A FRAME COMPONENTS (LEFT LEG, CENTER BAR, RIGHT LEG)

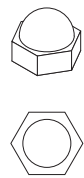
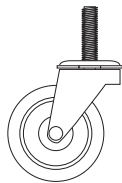
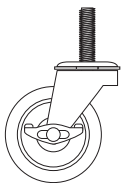


**B** LOCK CASTER

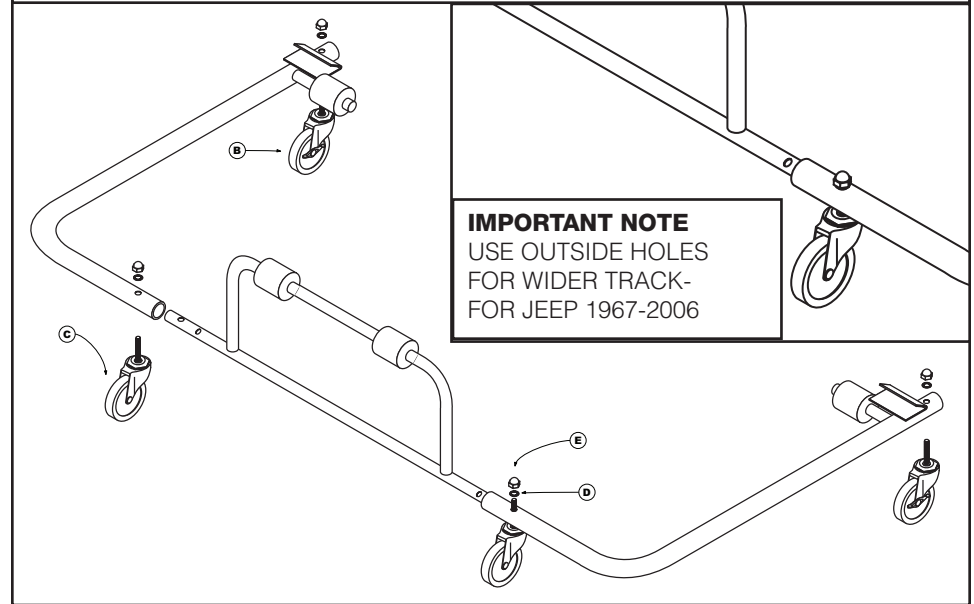
**C** CASTER

**D** LOCK WASHER

**E** ACORN NUT



## 1 ASSEMBLY DIAGRAM FOR JEEP WRANGLER HARDTOP 1967-2006



**SURCO**  
PRODUCTS, INC.

## 2 ASSEMBLY DIAGRAM FOR JEEP WRANGLER HARDTOP 2007-2010

