












# Installation Instructions Supertop NX Twill

## Vehicle Application:

- Jeep Wrangler Unlimited  
2007 – Current  
Part Number: 54823

[www.Bestop.com](http://www.Bestop.com) - We're here to help! Visit our web site and click on "[Ask a Question](#)". Click here for more [Jeep® Accessories by Bestop](#).

INSTALLATION TIME	SKILL LEVEL
 <b>3 Hours</b>	 <b>2 - Moderately Easy</b>

TOOLS			
 #2 Phillips Bit	 #2	 T30	
			



## Installation Tips

**Before you begin installing this assembly, read all instructions thoroughly.**

### For a smooth fit:

For ease in installation, the product should be installed at temperatures above 72° F. Below this temperature, the fabric may contract an inch or more, making it difficult to fit to the vehicle. It is normal for fabric to contract and wrinkle when stored in the shipping carton. Within a few days after installation, the fabric will relax and the wrinkles will disappear.

**CAUTION** Safety glasses should be worn at all times while installing this product.

**WARNING** This product is designed primarily to enhance the appearance of the vehicle and to shield the occupants from ordinary weather conditions. Do not rely in any way on the components of this product to contain occupants within the vehicle, or to protect against injury or death in the event of an accident. This product will not protect the occupants from falling objects. Never operate the vehicle in excess of manufacturer's specifications.

### WEAR SEAT BELTS AT ALL TIMES

Read and follow, precisely, all installation instructions provided when installing product. Failure to do so may result in a poor fit and could place occupants of the vehicle in a potentially dangerous situation.

# Supertop NX Twill Installation Instructions

## Parts List and Hardware Identification

Deck, Header Assembly	Qty - 1
Quarter Window, Right	Qty - 1
Quarter Window, Left	Qty - 1
Rear Window	Qty - 1

**Parts List:**

- Front Door Rail - Right., Qty - 1, Part Number 479.86
- Front Door Rail - Left., Qty - 1, Part Number 479.87
- #3 Bow Assembly, Qty - 1, Part Number 486.38
- Tailgate Bar, Qty - 1, Part Number 489.46
- Tailgate Bar Mount-Left, Qty - 1, Part Number 488.47
- Tailgate Bar Mount-Right, Qty - 1, Part Number 488.46
- Front Top Arch, Qty - 1, Part Number 486.55
- Side Bow- Right, Qty - 1, Part Number 492.90
- Side Bow- Left, Qty - 1, Part Number 492.89
- Cable Guide Bracket - Right, Qty - 1, Part Number 482.82
- Cable Guide Bracket - Left, Qty - 1, Part Number 482.83
- Strap Kit, Qty - 1, Part Number 413.09
- Rear Door Rail - Left., Qty - 1, Part Number 479.89
- Rear Door Rail - Right., Qty - 1, Part Number 479.88
- #2 Bow Assembly, Qty - 1, Part Number 455.46
- M8 x 30mm Knob, Qty - 2, Part Number 480.22
- M8 x 75mm Knob, Qty - 4, Part Number 478.90
- #4 Bow Assembly, Qty - 1, Part Number 486.39
- Rear Top Arch, Qty - 1, Part Number 486.56
- Foam Seal- Right, Qty - 1, Part Number 457.76
- Foam Seal- Left, Qty - 1, Part Number 457.77
- Foam Tape, Qty - 2, Part Number 417.43
- Stay Pad, Qty - 2, Part Number 456.32

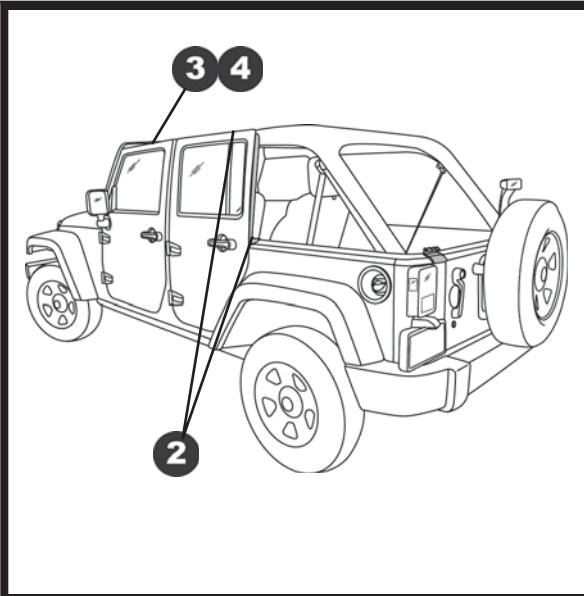
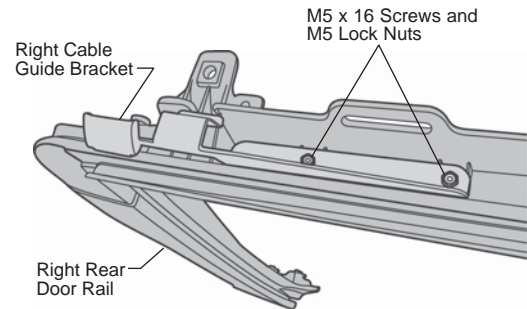
**Hardware Identification:**

- Bow Mount Screw, Qty - 4, Part Number 308.64
- M5 x 30 Machine Screw, Qty - 2, Part Number 308.87
- M5 x 16 Screw, Qty - 6, Part Number 459.45
- #8 x 1/2" Pan Head Washer Screw, Qty - 31, Part Number 393.79
- Bushing, Qty - 8, Part Number 473.40
- M5 Lock Nut, Qty - 8, Part Number 308.62
- Pivot Knuckle Screw, Qty - 2, Part Number 308.65

# Supertop NX Twill Installation Instructions

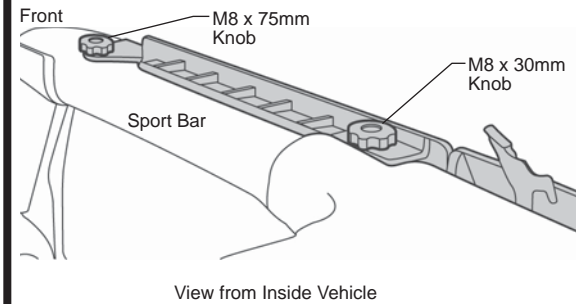
## 1 Mount Cable Guide Brackets to Rear Door Rails

Mount the Right Cable Guide Bracket to the Right Rear Door Rail with two (2) M5 x 16 Screws and M5 Lock Nuts. Repeat with the Left Rear Door Rail.



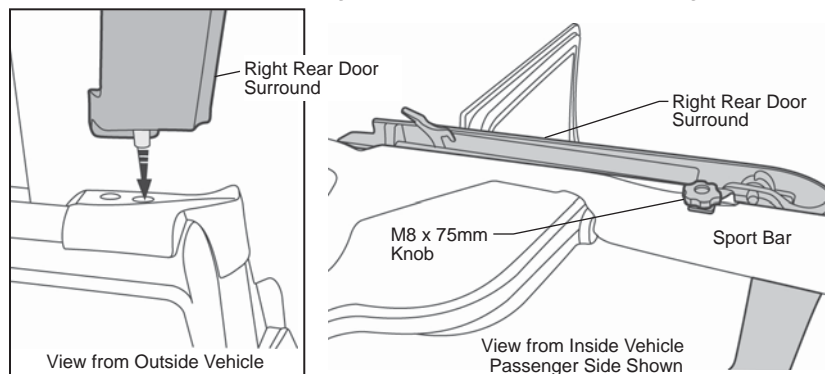
## 4

Install an M8 x 75mm Knob at the front of the rail and an M8 x 30mm Knob in the center.



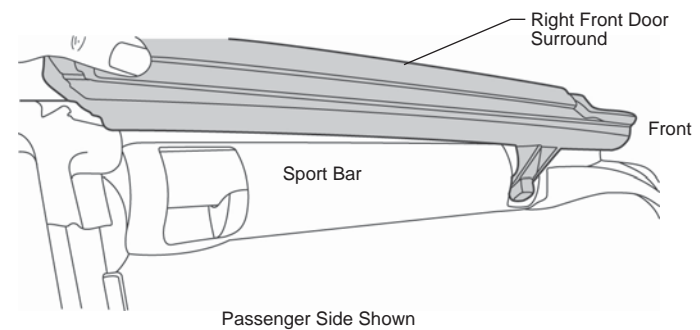
## 2 Install Rear Door Rail

Locate the left and right Rear Door Rail. Insert the pin in the bottom of the Door Rail into the hole in the belt rail behind the door. Place an M8 x 75mm Knob through the tab on the Door Rail and tighten.



## 3 Install Front Door Rail

Place the Front Door Rail above the door opening.

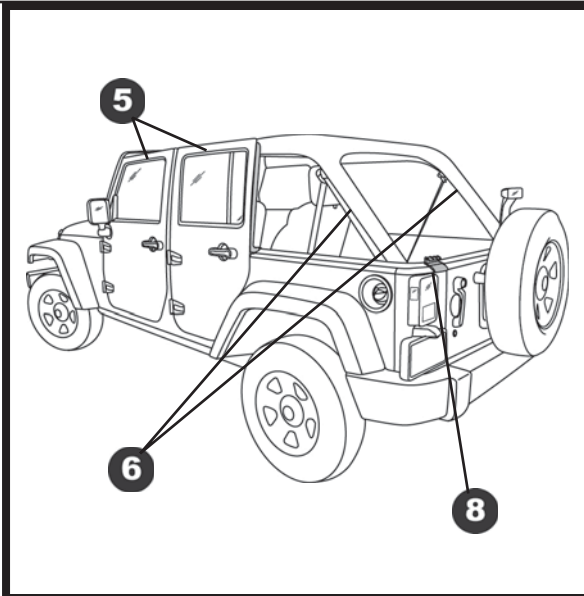
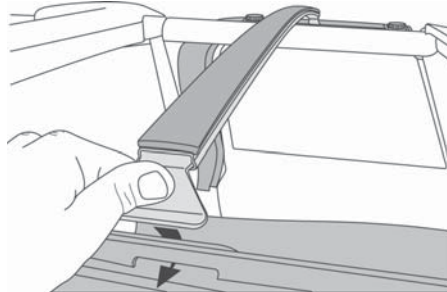


# Supertop NX Twill Installation Instructions

## 5 Install Top Arches

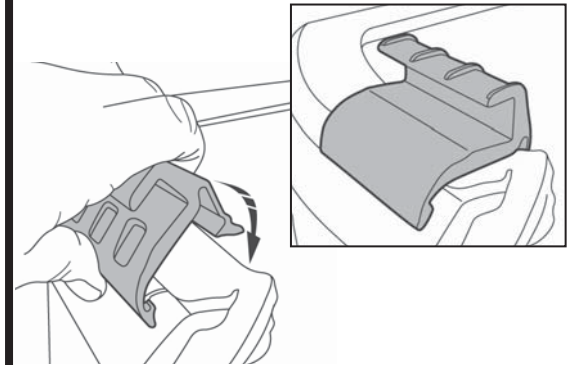
Remove the paper on the adhesive backing on the Front Top Arch. Insert one end of the Arch in to the slot in the middle of one of the Front Door Rails. Push the other end inward to flex the bow and insert it into the slot on the other side of the vehicle.

Repeat with the Rear Top Arch.



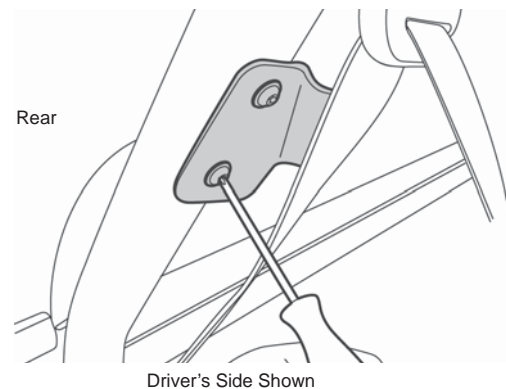
## 8 Install Tailgate Bar Mounts

Locate the left and right Tailgate Bar Mounts. Orient them on the vehicle. Hook the bottom of one mount under the belt rail and roll it toward the inside of the vehicle until it clips into place. Repeat this with the other Tailgate Bar Mount.



## 6 Install Bow Mount Brackets on Sport Bars

Use Bow Mount Screws to install Bow Mount Brackets on rear sport bar.



## 7 Install Side Bows on Header Assembly

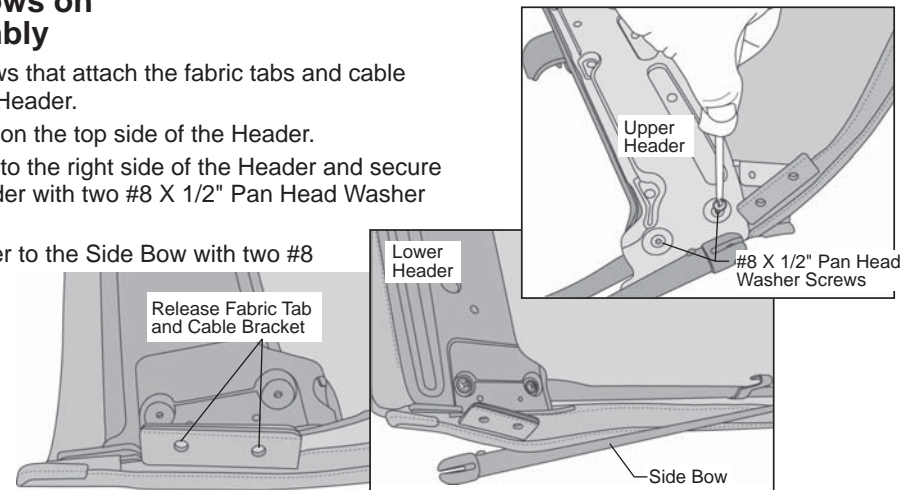
Remove and save the screws that attach the fabric tabs and cable brackets to the ends of the Header.

Loosen the outboard screw on the top side of the Header.

Insert the Right Side Bow into the right side of the Header and secure it to the molded Lower Header with two #8 X 1/2" Pan Head Washer Screws.

Secure the Top Steel Header to the Side Bow with two #8 X 1/2" Pan Head Washer Screws and tighten the outboard screw that was loosened.

Reconnect the fabric cable bracket and fabric tab. Repeat on the left side.

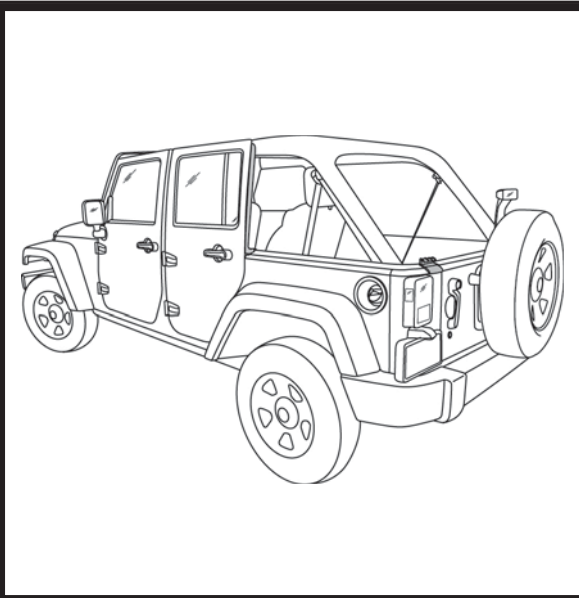
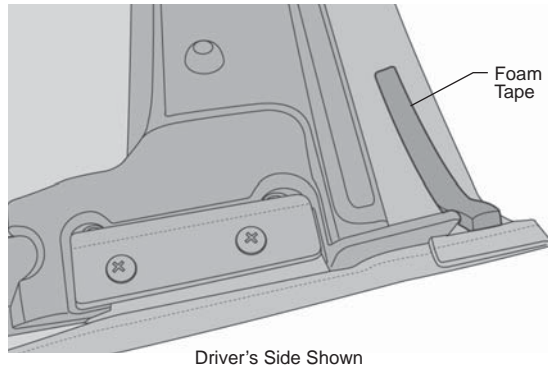




# Supertop NX Twill Installation Instructions

## 9 Install Foam Tape on Header

Install Foam Tape on Header.



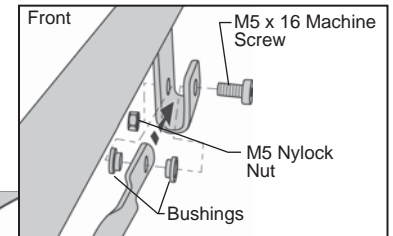
## 12 Assemble #2 Bow to Header / Side Bow Assembly

Locate the #2 Bow Assembly. Place it on the Side Bow/Header Assembly.

**Front:** Install an M5 x 16 Machine Screw with two (2) Bushings and an M5 Nylock Nut on the front of the Side Bow.

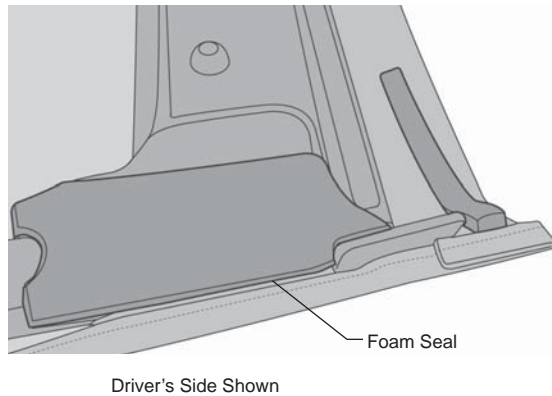
**Rear:** At the rear install an M5 x 30 Machine Screw with (2) Bushings and an M5 Nylock Nut.

Repeat these steps on both legs of the #2 Bow



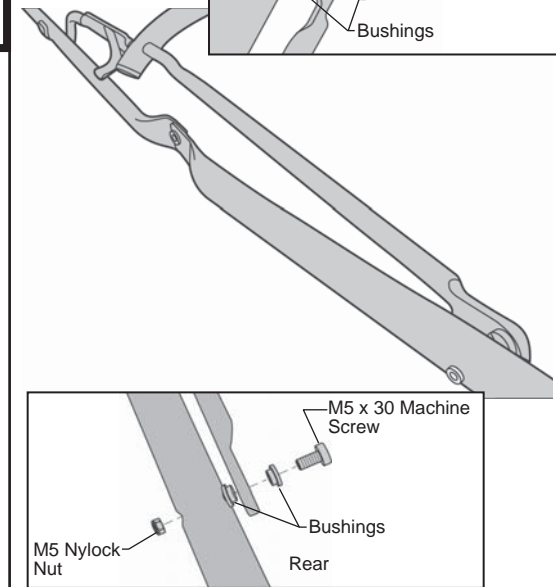
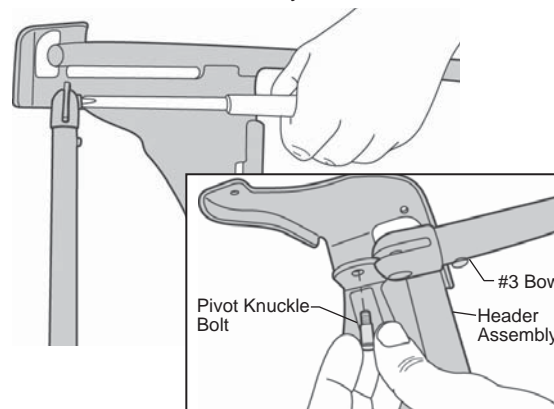
## 10 Install Foam Seal on Header

Install Foam Seal on Header.



## 11 Install #3 Bow on Header Assembly

Use a Pivot Knuckle Bolt to install the #3 Bow to the Side Bow/Header Assembly.

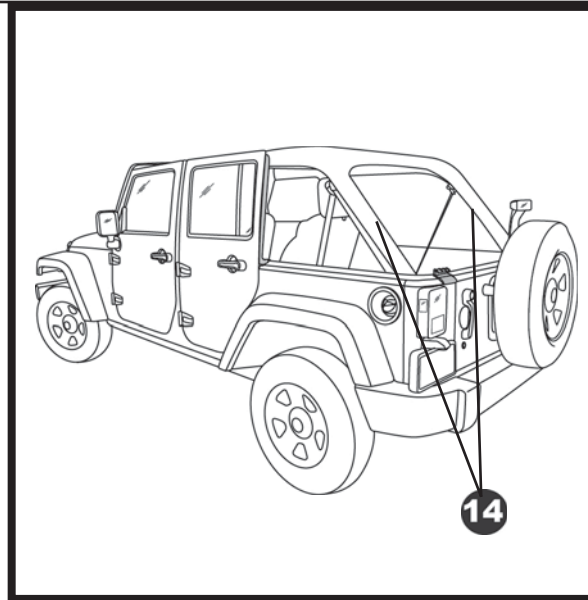
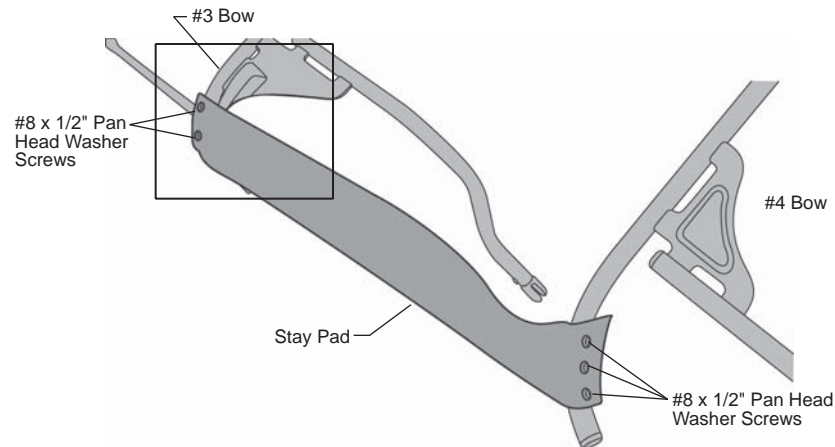
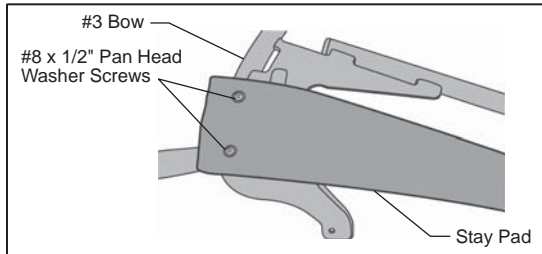


# Supertop NX Twill Installation Instructions

**CAUTION** Do Not allow Stay Pad to twist.

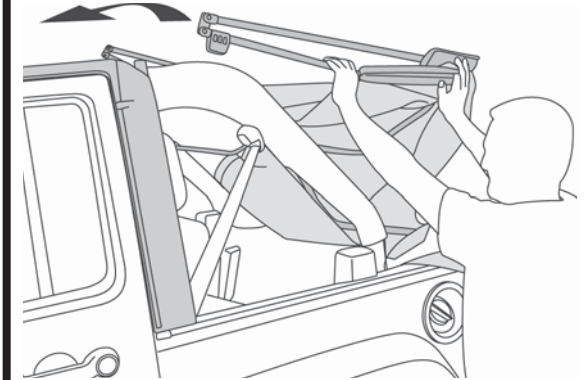
## 13 Install Stay Pad

Align the two (2) holes in the square end of the Stay Pad with the 2 holes in the corners of the #3 Bow. Install two (2) #8 x 1/2" Pan Head Washer Screws. Pull the pointed end of the Stay Pad back to the #4 Bow. Make sure that it is not twisted and the point is to the inside. Install three (3) #8 x 1/2" Pan Head Washer Screws. Repeat on both sides.



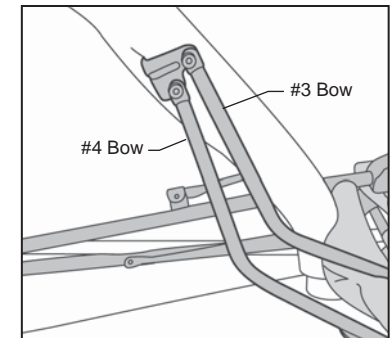
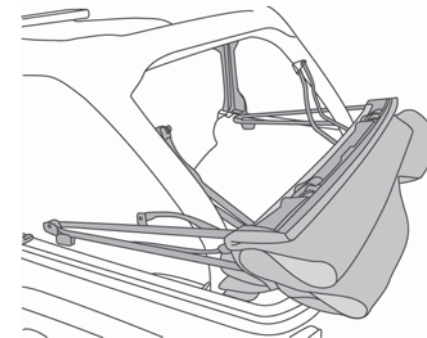
## 15 Drape Top Fabric over Vehicle

Open the Top Assembly and drape it over the cab of the vehicle.



## 14 Secure Top Fabric Assembly to Bow Mount Bracket

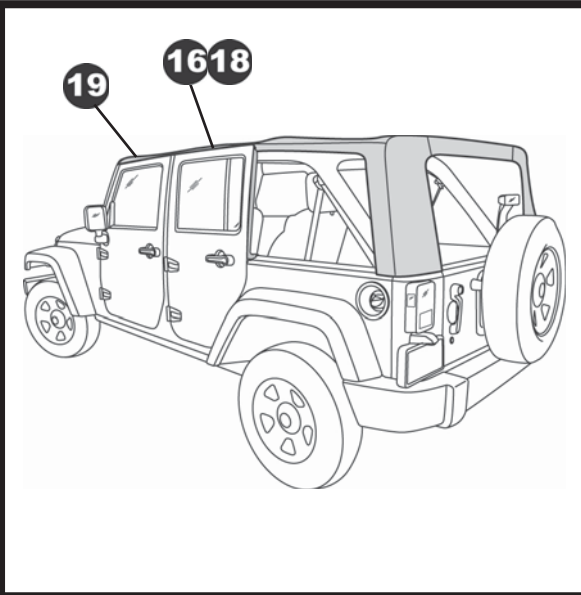
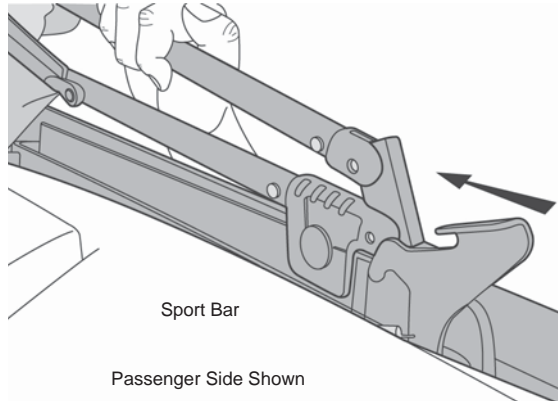
Place the Top Fabric Assembly on the back of the vehicle with the header on top. Clip the #4 Bow pivot knuckle into the forward lower hole in the Bow Mount Bracket. Clip the #3 Bow pivot knuckle into the top slot in the Bow Mount Bracket.



# Supertop NX Twill Installation Instructions

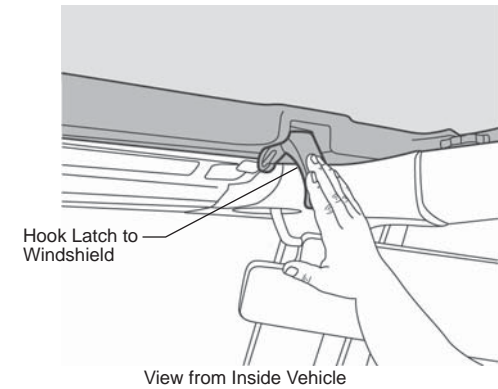
## 16 Secure Pivot Assembly

Slide the Pivot Assembly on the Top along the track above the door until it latches into place.



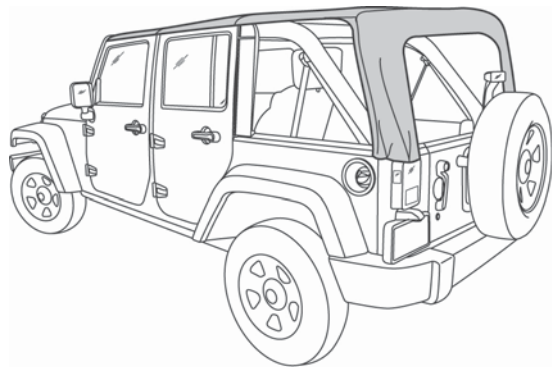
## 19 Secure Header

Close the front of the Top and secure the latches on the header to the windshield.



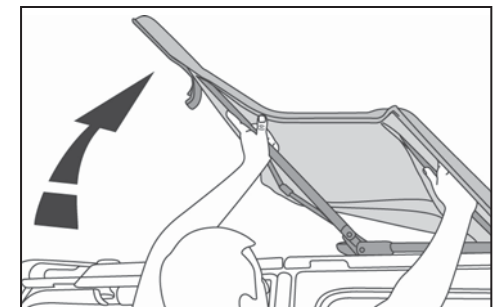
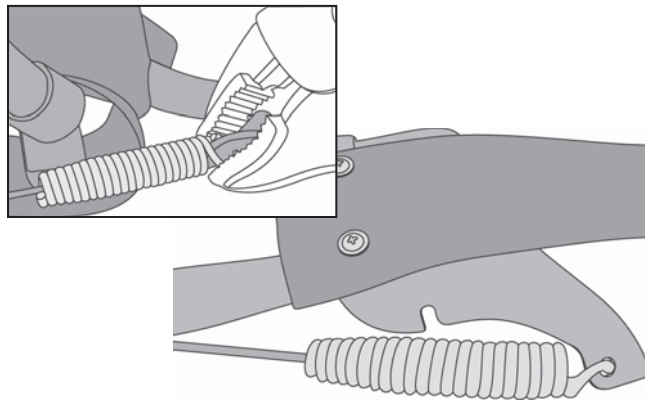
## 17 Drape Top Fabric over Bows

Pull the fabric up over the bow assembly.



## 18 Secure Cable Spring

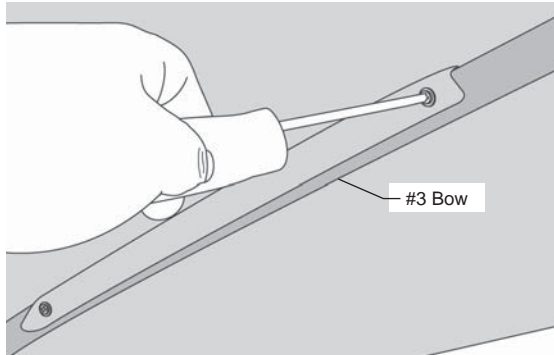
Fold the Header back to reduce tension on the top. Secure Cable Spring to bracket on bow and crimp spring.



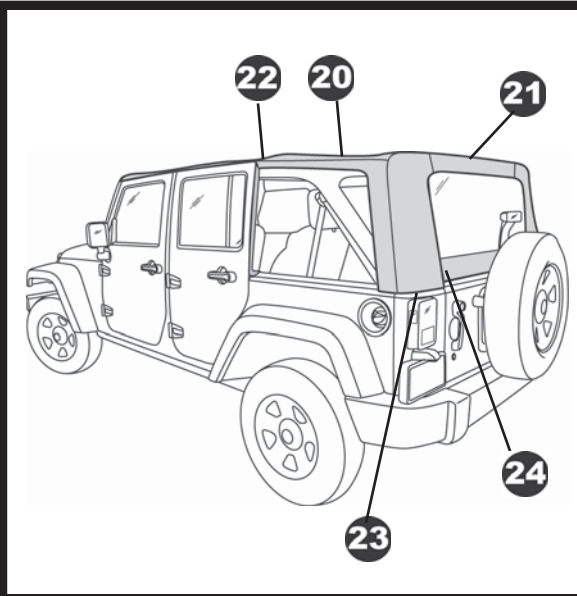
# Supertop NX Twill Installation Instructions

## 20 Secure Top Fabric to #3 Bow

Once the top is in place, locate the flaps sewn inside the top near the #3 Bow. Use four (4) #8 x 1/2" Pan Head Washer Screws to secure the flaps to the #3 Bow.

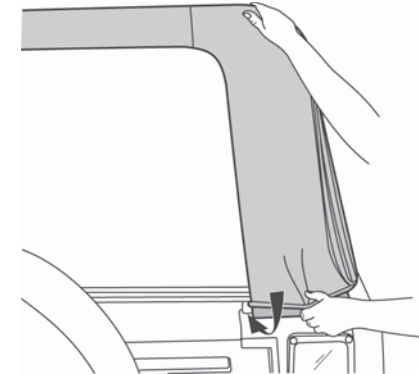


View from Inside Vehicle



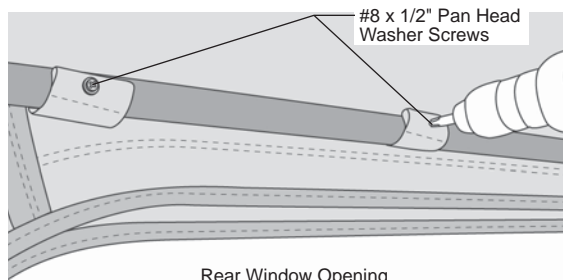
## 23 Secure Rear Corners

Slip the plastic strip in the rear corners of the Top into the channel on the vehicle.



## 21 Secure Rear Bow

Locate the four (4) flaps sewn inside the top above the rear window opening. Install a #8 x 1/2" Pan Head Washer Screw to secure each flap to the Rear Bow.

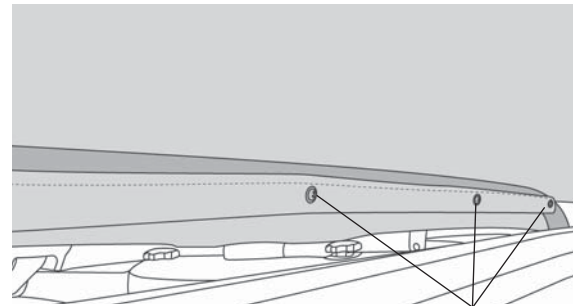


Rear Window Opening

View from Inside Vehicle

## 22 Secure #2 Bow

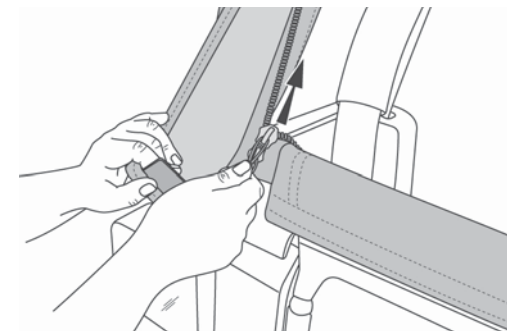
Locate the flaps inside the top in the center. Wrap them around the #2 Bow and install five (5) #8 x 1/2" Pan Head Washer Screws.



View from Inside Vehicle

## 24 Install Rear Window

Start the zipper on the Rear Window and close it part of the way around.

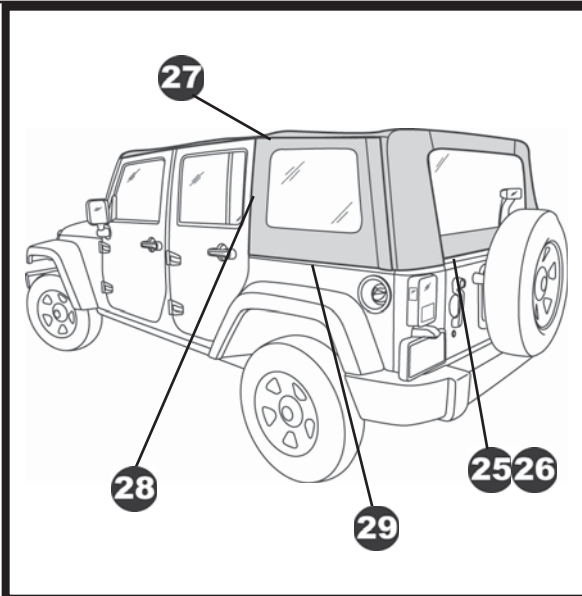
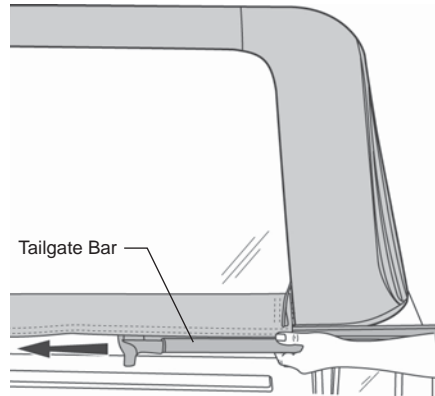




# Supertop NX Twill Installation Instructions

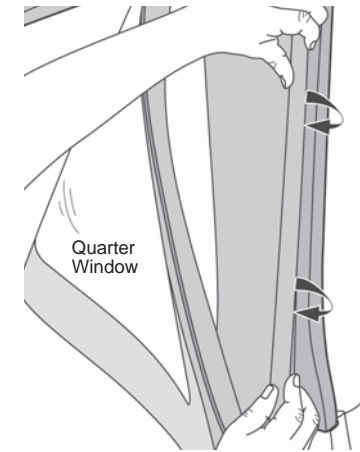
## 25 Install Tailgate Bar

Slide the channel in the Tailgate Bar onto the tubing along the bottom of the Rear Window on the inside.



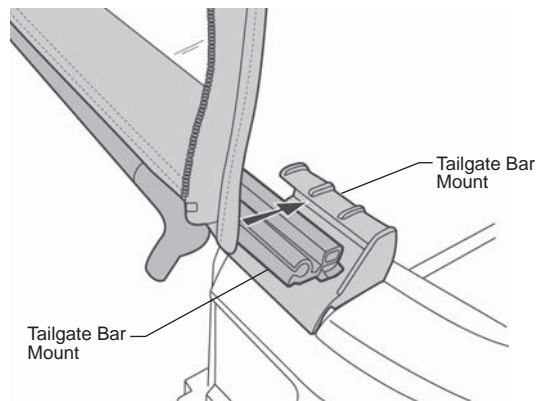
## 28 Secure Front of Quarter Window

Roll the plastic strip along the front of the Quarter Window into the channel in the Door Rail.



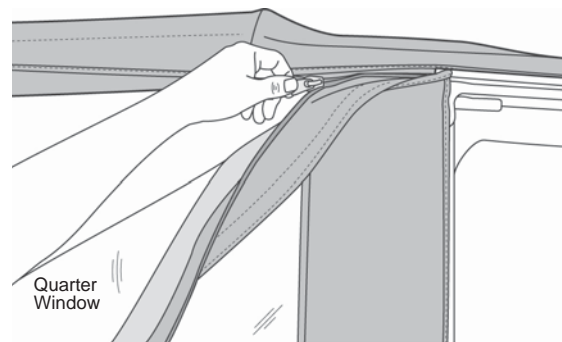
## 26 Secure Tailgate Bar

Slide the Tailgate Bar into the Tailgate Bar Mounts on each side of the tailgate opening.



## 27 Attach Quarter Window Zippers

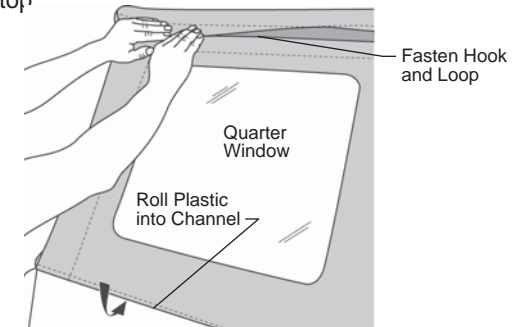
Start the zipper on the Quarter Window and close it 1-2 inches. Repeat on the other side of the vehicle.



## 29 Secure Quarter Window

Close the zipper and slip the plastic along the bottom of the Quarter Window into the channel on the vehicle.

Fasten the hook and loop strip above the window to the top



## Supertop NX Twill Installation Instructions



### WARNING

When operating the vehicle without the Quarter Windows, remove the Rear Window for proper ventilation.

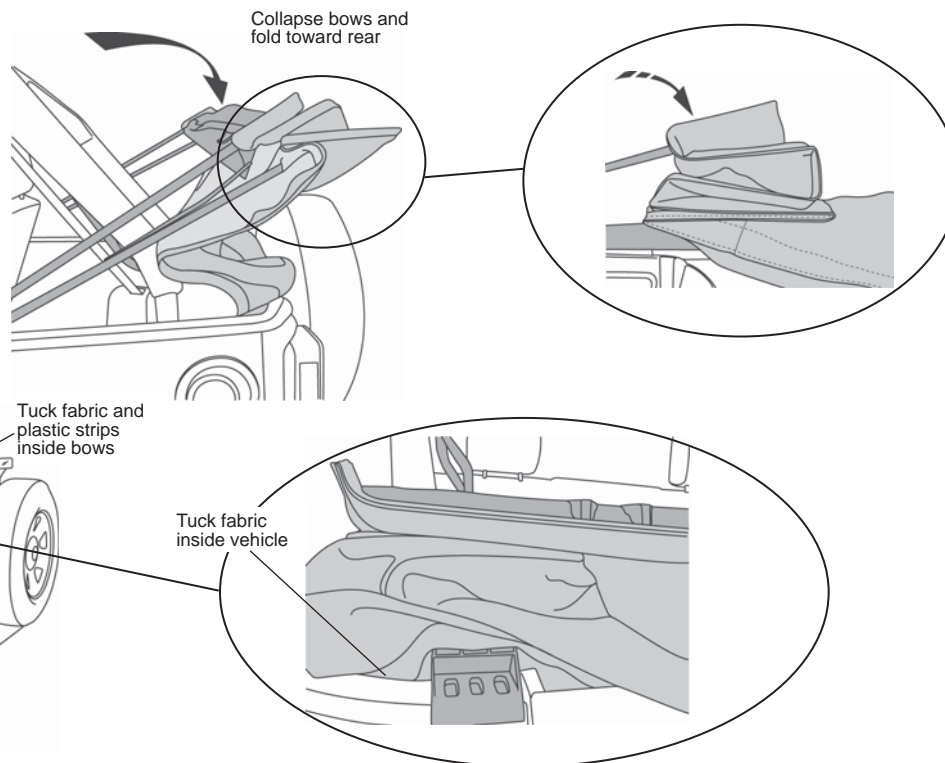
### 30 To Fold the Top Down Remove Quarter Windows and Rear Window

Remove the Quarter Panels and the Rear Window. Release the plastic strip from the retainer along the bottom and front of the panel

To roll up the Rear Window, remove the Tailgate Bar and open the zippers on each side of the window to the top. Start at the bottom and roll the window to the inside. Avoid wrinkles in the fabric and window. Secure it in place with the elastic garters inside of the top.

### 31 To Fold the Top Down Collapse Top

Release the front of the top from the windshield. Raise the front of the deck and collapse the rear bows, tucking the two plastic strips above the door openings inside of the bows. Wrap the fabric around the bows, then tuck the rear legs of the top under the bows.



# Supertop NX Twill Installation Instructions

---

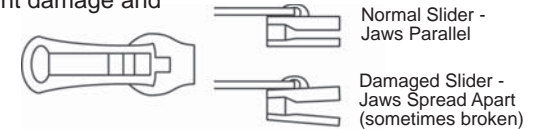
## Care and Maintenance of your Bestop Product

Your Bestop product is made of the finest materials available. To keep it looking new and for the maximum possible life, it will need periodic cleaning and maintenance.

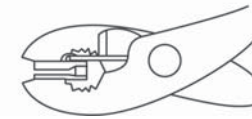
**Fabric:** The fabric should be washed often using soap, warm water and a soft bristle brush. Rinse with clear water to remove all traces of soap. Bestop recommends using 303 CONVERTIBLE TOP Cleaning & Care Kit (part no. 30520) which is specially formulated to provide a total cleaning and protection system.

**Windows:** Keep windows clean to avoid scratching. DO NOT use a brush on the windows! Wash with a water-soaked cloth or sponge and a mild dishwashing detergent. Bestop recommends Bestop Vinyl Window Cleaner (part no. 11203-00), which safely cleans and protects vinyl windows and helps prevent UV damage. NEVER WIPE THE WINDOWS WHEN THEY ARE DRY. Be careful when cleaning snow or frost from the vinyl windows since they are easily scratched and may crack at low temperatures. DO NOT roll the sides or rear window in cold weather. The windows become stiff and will crack. Cracks caused by misuse in cold temperatures are not covered under warranty.

**Zippers:** Keeping zippers cleaned and lubricated with Bestop's Zipper Cleaner (part no. 11206-00) will help prevent damage and keep the zippers in smooth working condition. If a zipper opens behind the slider, the slider may have been spread apart. This problem can usually be repaired by using an ordinary pair of pliers to bring the sides back into parallel. Return slider to the end of the zipper in the normal Open position. Squeeze lightly at first and test the zipper. If the zipper continues to remain open squeeze more firmly with the pliers and try the zipper again. Repeat this procedure until the zipper operates correctly.



**Water:** Seeping through at the seams may be stopped by applying 3-M Scotchgard® on the inside of the seams. Rips in the fabric may be repaired with Bondex® iron on patches. Iron the patches to the Inside of the top, carefully following the Bondex® instructions.



**Snaps:** Keep snaps cleaned and lubricated with silicone to help prevent snaps from sticking to the studs. If a snap does become stuck to a stud, use a screwdriver and GENTLY pry apart to prevent permanent damage to the snap or the top fabric.

## Supertop NX Twill Installation Instructions

---

### **BESTOP TWILL SOFT TOP LIMITED LIFETIME WARRANTY**

**As long as the original purchaser owns the vehicle upon which the top was originally installed.**

We warrant our product to be free from defects in material and workmanship, for the terms specified below, provided there has been normal use and proper maintenance. This warranty applies to the original purchaser only. All remedies under this warranty are limited to the repair or replacement of any item or items found by the factory to be defective within the time period specified. If you have a warranty claim, first you must call our factory at the number below for instructions. You must retain proof of purchase and submit a copy with any items returned for warranty work. Upon completion of warranty work, if any, we will return the repaired or replaced item or items to you freight prepaid. Damage to our products caused by accidents, fire, vandalism, negligence, misinstallation, misuse, Acts of God, or by defective parts not manufactured by us, is not covered under this warranty.

#### **What's covered?**

All defects in materials or workmanship on Bestop Twill products. This warranty does not apply to other Bestop products.

This warranty and any implied warranties including merchantability and fitness for a particular purpose, lasts as long as the original retail purchaser owns the vehicle upon which the product is installed. The warranty expires should the product be removed from the original vehicle or if the original vehicle is transferred to another owner. This warranty is not transferable.

#### **What Bestop will do.**

During the warranty period as written above, Bestop shall, at its option, either repair or replace any defective product at no charge. Bestop will not pay for labor charges associated with installation or removal of the product. Should a specific product be discontinued, Bestop may, at its option replace the discontinued product with a current product or like product.

#### **The Warranty does not cover:**

Damage, defect, or malfunction caused by misuse, abuse, accident, fire, improper installation, modification, improper or inadequate maintenance, or hazards, or acts of God. Incidental or consequential damages are not covered under this warranty. Some states do not allow exclusion or limitation, so this may not apply to you. This warranty gives you specific legal rights, and you may have other rights which vary from state to state.

#### **Warranty Service:**

Retain your proof of purchase. Proof of purchase must accompany any warranty claim. A defective item should be returned to the place of purchase. Bestop's Customer Service may be contacted for help determining whether a product is defective. Bestop Customer Service may be reached a 1-800-845-3567, or via e-mail at [cs@bestop.com](mailto:cs@bestop.com).

Some states do not allow limitations on how long an implied warranty lasts, or the exclusion or limitation of incidental or consequential damages, so the above limitations or exclusions may not apply to you. This warranty gives you specific legal rights, and you may also have other rights which vary from state to state.



For further information or request for warranty work, please contact:  
Bestop Inc., Customer Service  
Toll-Free: (800) 845-3567  
Main: (303) 465-1755  
E-mail: [csbestop@Bestop.com](mailto:csbestop@Bestop.com)  
Website: [www.Bestop.com](http://www.Bestop.com)