











Installation Instructions

Pet Barrier


Vehicle Application


- Jeep Wrangler
2007 - 2010
Part Number: 42502

www.Bestop.com - We're here to help! Visit our web site and click on "[Ask a Question](#)". Click here for more [Jeep Accessories by Bestop](#).

INSTALLATION TIME  2 Hours	SKILL LEVEL  2 - Moderately Easy			
TOOLS				
 Ratchet	 Socket 10mm, 13mm	 Wrench 10mm, 13mm	 Allen Wrench 4mm	 Torx Wrench T-40
 Safety Glasses				



 **CAUTION** Safety glasses should be worn at all times while installing this product.

 **WARNING** This product is designed primarily to enhance the appearance of the vehicle. Do not rely in any way on the components of this product to protect against injury or death in the event of an accident. Never operate the vehicle in excess of manufacturer's specifications.

WEAR SEAT BELTS AT ALL TIMES

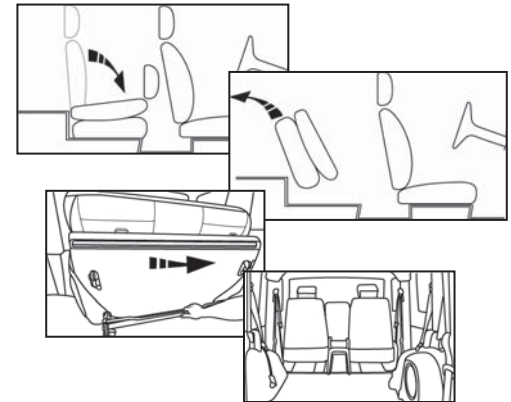
Read and follow, precisely, all installation instructions provided when installing product. Failure to do so may result in a poor fit and could place occupants of the vehicle in a potentially dangerous situation.

Pet Barrier – Installation Instructions

Parts List and Hardware Identification

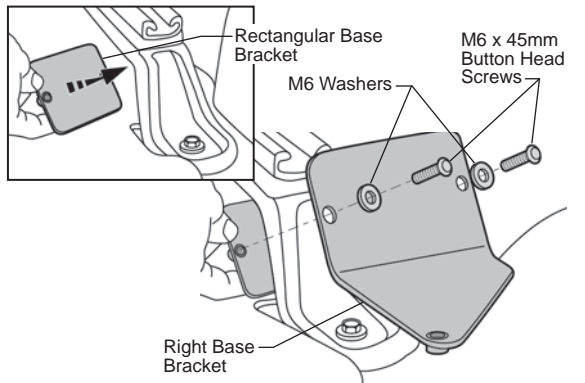
- Upper Partition, Qty - 1
- Lower Partition, Qty - 1
- Left Middle Bracket, Qty - 1
- Right Middle Bracket, Qty - 1
- Rectangular Base Bracket, Qty - 2
- Upper Connecting Bracket, Qty - 2
- Left Base Bracket, Qty - 1
- Right Base Bracket, Qty - 1
- Upper Mounting Bracket, Qty - 2
- M6 x 20 Thumbscrew, Part Number 495.61, Qty - 2
- M6 x 15 Thumbscrew, Part Number 495.60, Qty - 2
- M6 Washer, Qty - 20
- M6 Lock Nut, Qty - 8
- M6 Spring Washer, Qty - 2
- M6 x 25mm Button Head Screw, Qty - 6
- M6 x 35mm Button Head Screw, Qty - 4
- M6 x 45mm Button Head Screw, Qty - 4
- Soft Top Only
 - M8 Washer, Qty - 4
 - M8 Lock Nut (Nyloc Nut), Qty - 2
 - M8 x 25mm Hex Bolt, Qty - 2

NOTE For easiest installation, remove the rear seat prior to installing the Pet Barrier.



1 Install Rectangular Base Brackets and Base Brackets

Use a 4mm allen wrench, two (2) M6 x 45mm Button Head Screws, and two (2) M6 Washers to install a Rectangular Base Bracket and the Right Base Bracket on the passenger side rear outboard seat mount. Repeat on the other side of the vehicle.

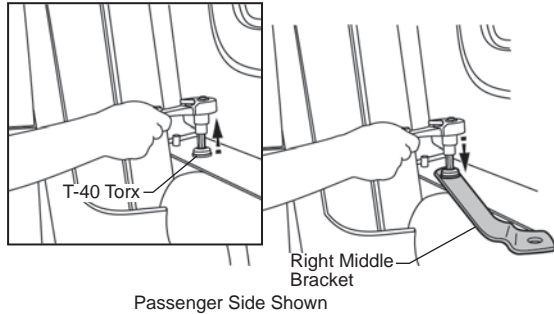


Pet Barrier – Installation Instructions

Hard Top

2 Install Middle Brackets

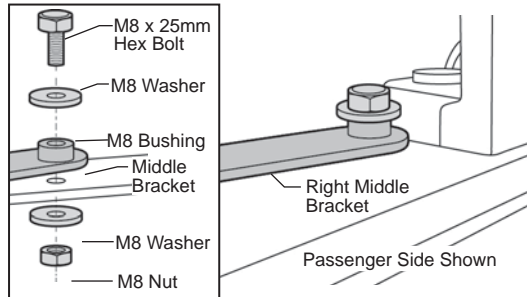
Use a T-40 Torx to remove the screw from the front corner near the sport bar. Re-use the screw to install a Middle Bracket. Repeat on both sides of the vehicle.



Soft Top

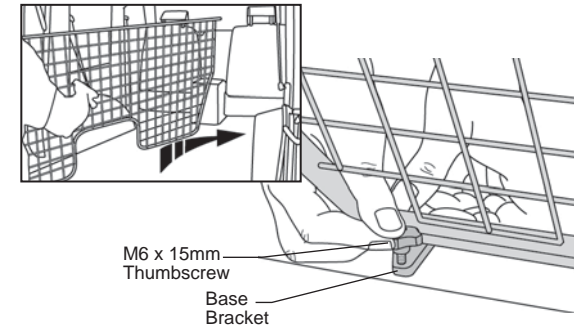
2 Install Middle Brackets

Use a 13mm wrench and socket to install a Middle Bracket in the hole near the front sport bar using an M8 x 25mm Hex Bolt, M8 Bushing, two (2) M8 Washers and an M8 Nut. Repeat on both sides of the vehicle.



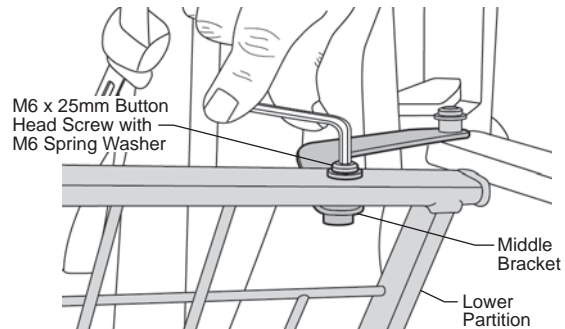
3 Install Lower Partition

Place the Lower Partition in the vehicle from the rear. Use the M6 x 15mm Thumbscrews to secure the Lower Partition to the Base Brackets installed in Step 1.



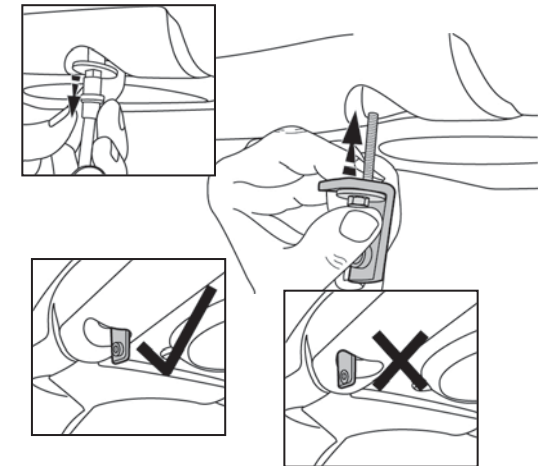
4 Secure Lower Partition to Middle Brackets

Use a 4mm allen wrench and two (2) M6 x 25mm Button Head Screws with two (2) M6 Spring Washers to secure the Lower Partition to the Middle Brackets installed in Step 2.



5 Install Upper Connecting Brackets

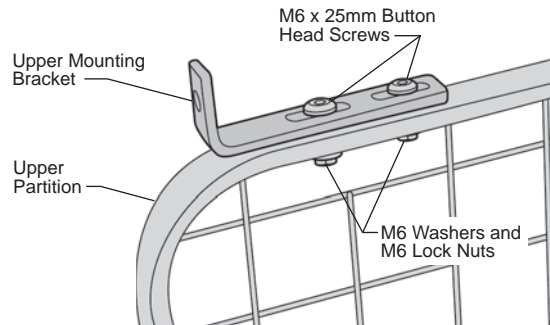
Use a 10mm socket to remove the front bolt from the outside of the speaker/sound bar. Orient the Upper Connecting Bracket so that the threaded insert on the bracket is toward the outside of the vehicle. Reuse the bolt to install the Upper Connecting Bracket.



Pet Barrier – Installation Instructions

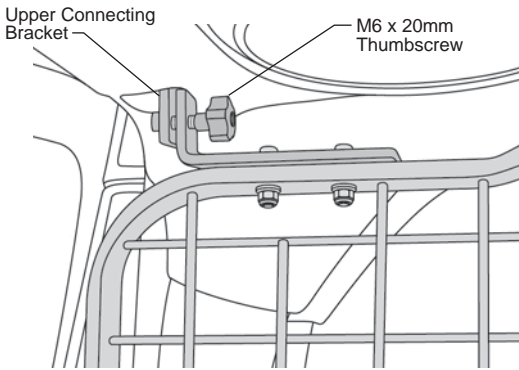
6 Install Upper Mounting Bracket on Upper Partition

Use a 4mm allen wrench and a 10mm wrench with two (2) M6 x 25mm Button Head Screws, four (4) M6 Washers and two (2) M6 Lock Nuts to secure an Upper Mounting Bracket to the Upper Partition. Do not tighten fasteners. Repeat on both sides.



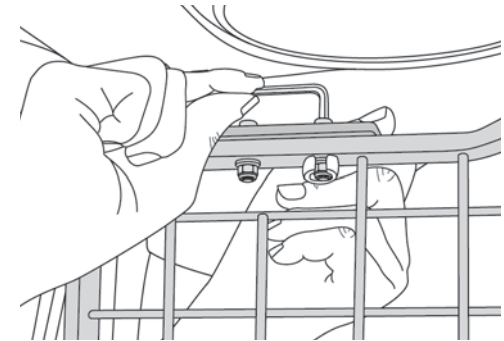
7 Mount Upper Partition Assembly to Upper Connecting Bracket

Use the M6 x 20mm Thumbscrews to secure the Upper Partition to the Upper Connecting Brackets.



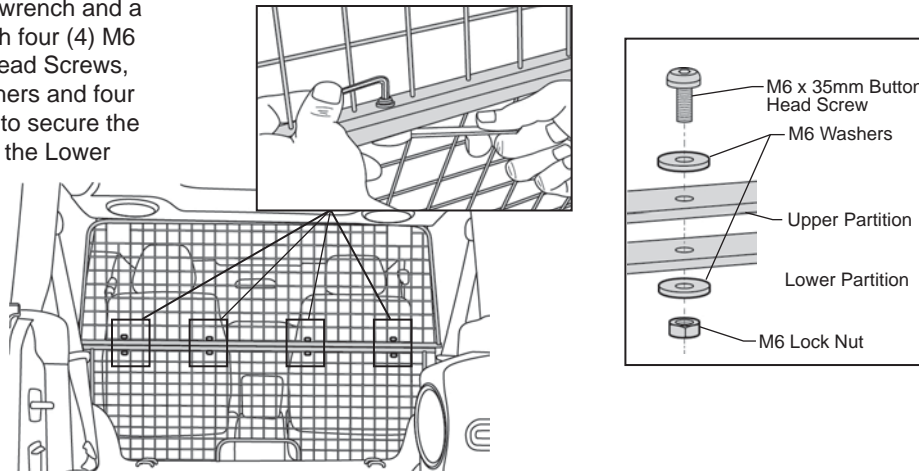
8 Tighten Fasteners on Upper Mounting Brackets

Use a 4mm allen wrench and 10mm wrench to tighten the fasteners on the Upper Mounting Brackets.



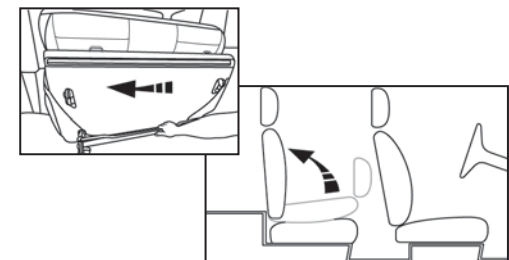
9 Secure Upper Partition to Lower Partition

Use a 4mm allen wrench and a 10mm wrench with four (4) M6 x 35mm Button Head Screws, eight (8) M6 Washers and four (4) M6 Lock Nuts to secure the Upper Partition to the Lower Partition.



10 Reinstall Rear Seat

Reinstall the rear seat if you removed it prior to beginning the installation.



Pet Barrier – Installation Instructions

LIMITED WARRANTY

We warrant our product to be free from defects in material and workmanship, for the terms specified below, provided there has been normal use and proper maintenance. This warranty applies to the original purchaser only. All remedies under this warranty are limited to the repair or replacement of any item or items found by the factory to be defective within the time period specified. If you have a warranty claim, first you must call our factory at the number below for instructions. You must retain proof of purchase and submit a copy with any items returned for warranty work. Upon completion of warranty work, if any, we will return the repaired or replaced item or items to you freight prepaid. Damage to our products caused by accidents, fire, vandalism, negligence, misinstallation, misuse, Acts of God, or by defective parts not manufactured by us, is not covered under this warranty.

THE WARRANTY TIME PERIOD IS AS FOLLOWS: THREE YEARS FROM DATE OF PURCHASE.

ANY IMPLIED WARRANTIES OF MERCHANTABILITY AND/OR FITNESS FOR A PARTICULAR PURPOSE CREATED HEREBY ARE LIMITED IN DURATION TO THE SAME DURATION AND SCOPE AS THE EXPRESS WRITTEN WARRANTY. OUR COMPANY SHALL NOT BE LIABLE FOR ANY INCIDENTAL OR CONSEQUENTIAL DAMAGE.

Some states do not allow limitations on how long an implied warranty lasts, or the exclusion or limitation of incidental or consequential damages, so the above limitations or exclusions may not apply to you. This warranty gives you specific legal rights, and you may also have other rights which vary from state to state.



For further information or request for warranty work, please contact:

Bestop Inc. Customer Service

Toll-Free: (800)845-3567

Main: (303)465-1755

E-mail: csbestop@Bestop.com

Website: www.Bestop.com