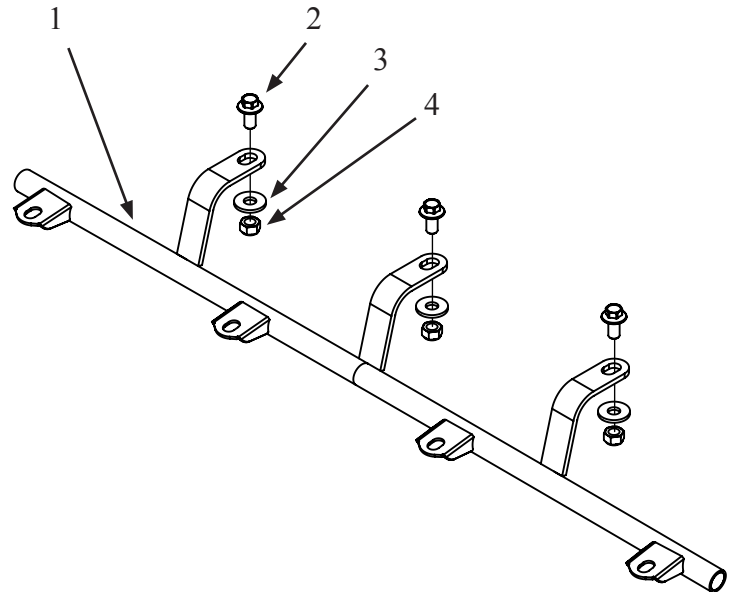


Contents:

- |                                  | QTY |
|----------------------------------|-----|
| 1. Light Bar Lowering Kit        | (1) |
| 2. M12 x 30 Hex Bolts            | (3) |
| 3. M12 Standard Washers          | (3) |
| 4. M12 Nylon-Insert Hex Locknuts | (3) |



**NOTE: This part is only intended for use with Rugged Ridge Full Frame Light Bar (Part No. 11232.21).**

**NOTICE**

Please read and understand all instructions before proceeding

1. Attach the Light Bar Lowering Kit to the Light Bar (11232.21) using the hex bolts, washers, and hex locknuts. **DO NOT TIGHTEN.**



2. Push the brackets of the Light Bar Lowering Kit until they are flush against the Full Frame Light Bar. Tighten the hex bolts.



3. Install lights.



For assistance, please contact Omix-ADA Technical Support Department  
(770) 614-6101  
[techsupport@omix-ada.com](mailto:techsupport@omix-ada.com)  
© Copyright 2012, Omix-Ada