



INSTALLATION INSTRUCTIONS

SPEAKER & STORAGE SECURITY LOCKBOX SET #020

Please read and fill out the enclosed warranty registration card to activate your warranty.

PARTS CHECKLIST



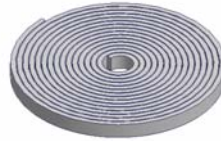
(6) 5/16" x 1-1/4" Bolts



(6) 5/16" Nylock Nuts



(12) 5/16" Washers



Rubber Seal Package



(6) #4 Nuts



(6) #4 Washers



(2) 5/16" Hole Plugs

For office use only

- Locks with Cams (Keyed Alike)
 - Dividers
 - Rubber Seal Package
 - Speaker Cloth (2)
 - Shipping Package
 - Warranty Card
 - Hole Plugs Installed
- Checked by _____

TOOLS NEEDED

- Electric drill
- 3/8" Drill bit
- Marker or pencil
- Knife
- 1/2" Socket and ratchet
- 1/2" Wrench
- 1/4" Wrench or Socket and Ratchet
- Silicone sealant (Recommended)

PLEASE READ ALL INSTRUCTIONS THOROUGHLY BEFORE STARTING INSTALLATION.

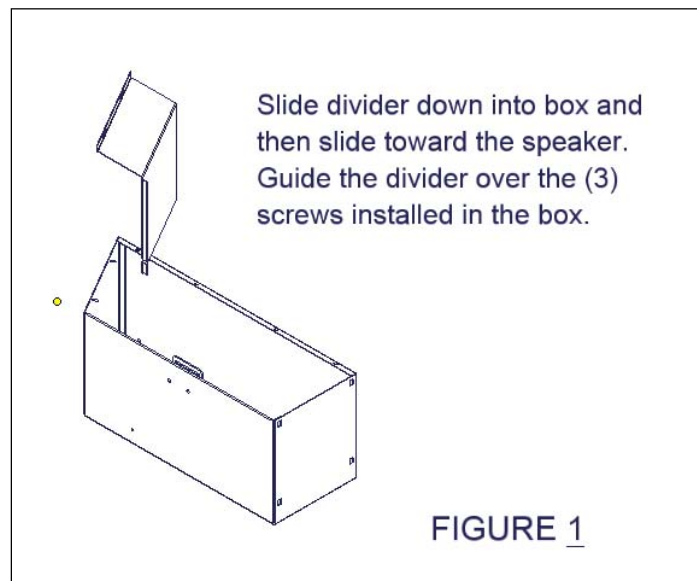
1. Bolt your speaker to the Tuffy box by placing the speaker cloth between the speaker and the box and securing with fasteners provided with the speaker.
2. Route speaker wires through either the hole in the bottom of the box or the hole on the side of the box.
3. If you did not route the wires through the hole in the side of the box, plug the hole with the 5/16" plug provided.

4. Connect speaker wires to speaker in accordance to the speaker installation manual.
5. Install rubber seal on lid and check lock operation.
6. Place your Tuffy box in the vehicle on the wheel well, make sure placement of box does not interfere with the movement of the seat or convertible top.
7. Using a marker or pencil, mark any (3) spots through the 3/8" mounting holes in the box.

WARNING!

Make sure that there is nothing under the vehicle that will be damaged by the drill bit when drilling.

8. Remove the box. Cut the carpet at the (4) marked holes. Using a 3/8" drill bit, drill out the (4) marked spots in the floor.
9. It is recommended to use silicone sealant in any holes drilled in the vehicle to prevent rusting.
10. Bolt the Tuffy box to the vehicle using (3) 5/16x1-1/4" Bolts, (6) 5/16" Washers and (3) 5/16" Washers. For security purposes it is best to insert the bolts from the underside of the vehicle up.
11. Slide the divider down and then over the screws inserted in your Tuffy box. Secure the divider to the box using the (3) #4 washers and (3) #4 nuts provided. (See FIGURE 1)
12. Repeat steps for installation of box on the other side of the vehicle.



THE TUFFY WARRANTY

We build Tuffy products to last a lifetime and that's how long we'll stand behind them. Tuffy Products are warranted against defects in material and workmanship, excluding the coating, under normal use during the time that the original owner possesses the vehicle in which the part is installed and used. Warranty does not cover rusting, the coating, expenses for installation, service, or down time. Warranty does not cover material, labor, or additional parts required for replacement or repair of damages, malfunctions, or service failures caused by abuse (including fire or wreckage), misuse, neglect, failure to follow the manufacturer's operating and/or installation instructions, repairs made or attempted by unauthorized persons, and/or any claims for incidental or consequential damages for breach of any express or implied warranties. Tuffy Security Products, Inc. shall only be responsible to the extent of replacing or repairing materials supplied to customers, which are determined by Tuffy Security Products, Inc. to be defective and shall have no liability beyond such repair or replacement. Tuffy Security Products, Inc. expressly disclaims all other warranties, express or implied, and specifically disclaims any implied or other warranty of fitness for any particular purpose for which the product is supplied without Tuffy Security Products, Inc.'s knowledge or consent. Any use or application of the material and/or products supplied to its customers for the purpose not intended for such material and/or products shall operate to void all warranties and Tuffy Security Products, Inc. expressly disclaims any liability resulting from material and/or product failure in such event. This warranty gives you specific legal rights and you may have other rights, which vary, from state to state.