

QuadraTop® Fabric Replacement Soft Top

Installation Manual for '10-Current 4 Door (JK) Wrangler
#11000.1135



⚠ WARNING ⚠

Loss of vehicle control involves risk of death or serious injury, particularly to parts of your body not restrained within vehicle. This product is intended for weather protection only and should not be relied upon to contain occupants in the event of an accident or to protect from either ground contact or falling objects. To reduce risk of accident or injury:

- **ALWAYS WEAR SEATBELTS**
- Always keep head, arms & body parts within vehicle.
- Fully secure or stow the soft top before driving according to instructions. Never try to latch or fold soft top while driving. Do not use if damaged or worn.
- Read and follow all instructions & warnings accompanying this product, in your vehicle owner's manual and Off Road Driving Supplement.

⚠ CAUTION ⚠

RISK OF EYE INJURY. Safety glasses should be worn at all times while installing or maintaining this product.

PARTS LIST:

FABRIC TOP - QTY 1
QUARTER WINDOWS (L&R) - QTY 2
REAR WINDOW - QTY 1
ELASTIC GARTERS - QTY 2
HEADER FOAM (L&R) - QTY 2
FABRIC FOAM - QTY 1

REQUIRED TOOLS:

SAFETY GLASSES
PHILLIPS SCREWDRIVER
MASKING TAPE
PLIERS
T-15 TORX WRENCH



The Trusted Source

Important Safety Information:

Your QuadraTop® soft top is intended to increase the utility and enjoyment of your off-road capable vehicle. Before installation, please take a moment to review the following safety information

and installation instructions. Important safety information is generally preceded by one of three signal words indicating the relative risk of injury. The signal words mean:

⚠ WARNING ⚠	a hazardous situation which, if not avoided, could result in death or serious injury. You CAN be KILLED or SERIOUSLY HURT if you don't follow instructions.
⚠ CAUTION ⚠	a hazardous situation which, if not avoided, could result in minor or moderate injury. You CAN be moderately HURT and also may suffer property damage if you don't follow instructions.
NOTICE	Careful attention is required to this instruction or operation but does generally not relate to personal injury. Damage to your Quadratec® product or other property may result if you don't follow instructions.

Before You Begin Soft Top Installation:

Congratulations on your purchase of the QuadraTop! This high quality soft top is designed to provide years of protection from whatever nature can throw at you! We have used only the finest materials in creating this soft top but like any product that is exposed to the elements, there is some general maintenance that is required to keep your QuadraTop looking like new. Please see page 13 for these important maintenance tips as well as page 12 for available hardware components that may have been lost or worn over the years. Thank you again for your purchase and let's start the installation process!

When unpacking, check to make sure all parts are included. If any part is missing or broken, please call Quadratec Customer Service at 800-745-6037 as soon as possible.

Important: Make sure you become familiar with the installation process of this top by reading the following instruction sheet thoroughly.



Existing soft top hardware required to install this top. Does yours match?

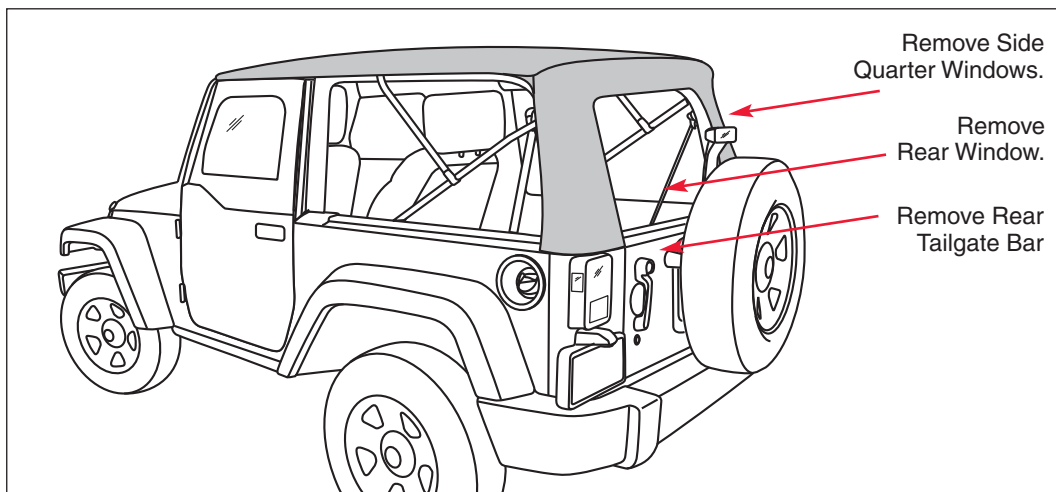
Important: For a smooth fit and ease of installation, this top should be installed at temperatures above 72 degrees. Below this temperature, the fabric may contract an inch or more making it difficult to install. We highly recommend taking the top out of the package and letting it sit inside a warm place or in direct sun light for 1-2 hours before you install the top. When warm, this top will install quickly.

Important: Note that it is normal for the fabric and glass to contract and wrinkle when stored in the shipping carton. In a few days the fabric and glass will relax & wrinkles will disappear.



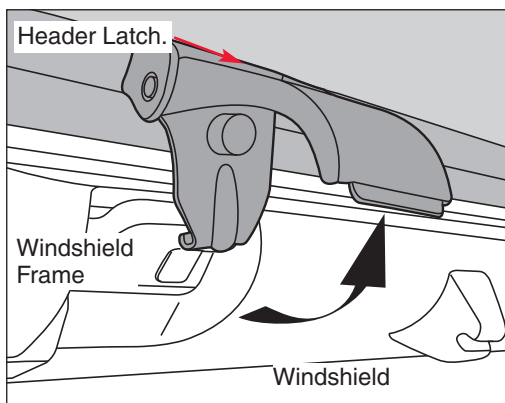
The Trusted Source

Step One: Soft Top Removal



REMOVE THE SIDE QUARTER WINDOWS AND REAR WINDOW

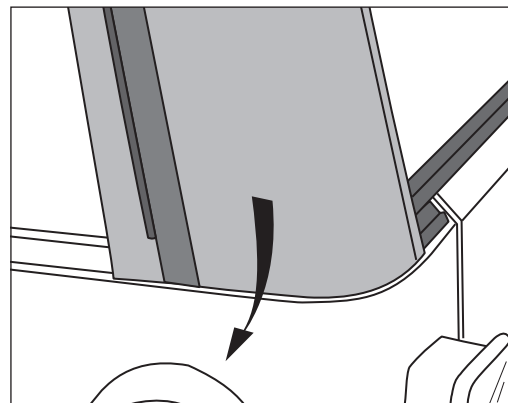
Remove the Quarter Windows and the Rear Window. Remove the metal tailgate Bar from the bottom of the Rear Window and set it aside.



Step Two: Soft Top Removal

RELEASE WINDSHIELD LATCHES

Release the latch that secures the header to the windshield. Pull up on the lever and then down and out to release the hook from the loop in the windshield frame.



Step Three: Soft Top Removal

RELEASE REAR CORNERS

Release the rear corners of the top. Pull gently down and then out to release the plastic strip from the retainer on the vehicle.

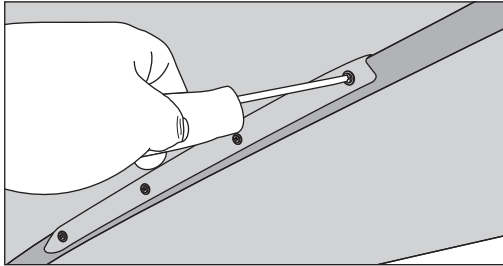
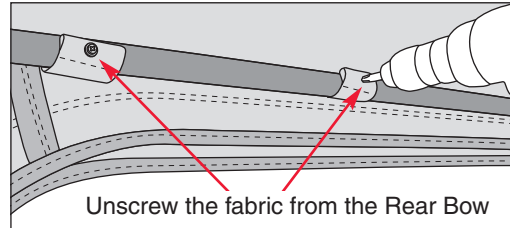


The Trusted Source

Step Four: Soft Top Removal

RELEASE REAR BOW

Use a phillips head screwdriver to remove the four (4) screws that attach the flap in the top to the rear bow. Set the screws aside to be reused later. Allow the bow to drop onto the tailgate.



Step Five: Soft Top Removal

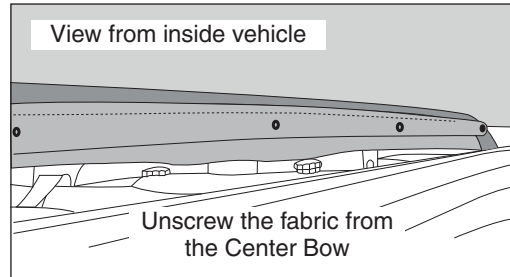
RELEASE #3 BOW

Use a phillips head screwdriver to remove the four (4) screws that attach the flap in the top to #3 Bow. Set the screws aside to be reused later.

Step Six: Soft Top Removal

RELEASE CENTER BOW

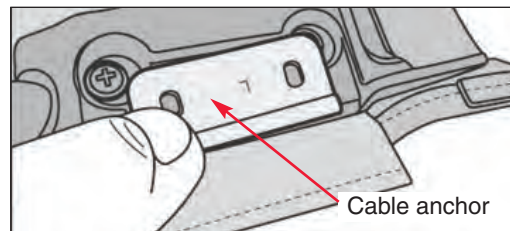
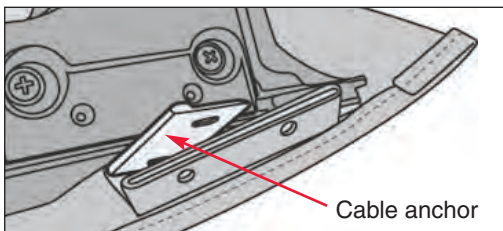
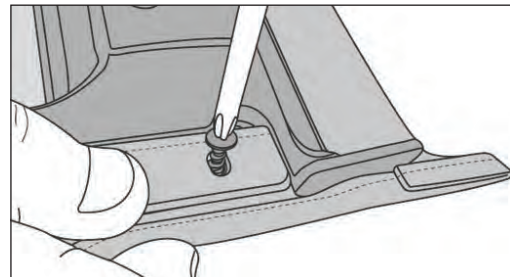
Use a phillips head screwdriver to remove the five (5) screws that attach the flap in the top the Center Bow. Set the screws aside to be reused later.



Step Seven: Soft Top Removal

REMOVE HEADER SCREWS

Collapse the bow assembly down onto the tailgate to access the header. Remove the foam covering the screws. Use a T-15 Torx to remove the two screws that secure the fabric to the header. Repeat on both sides.

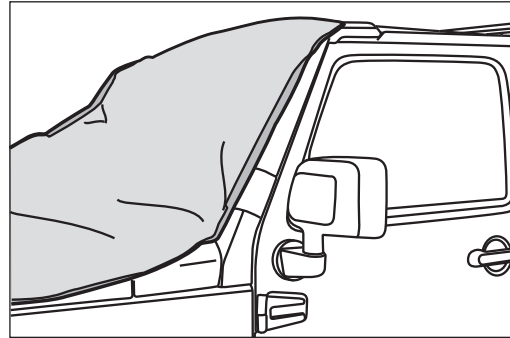


The Trusted Source

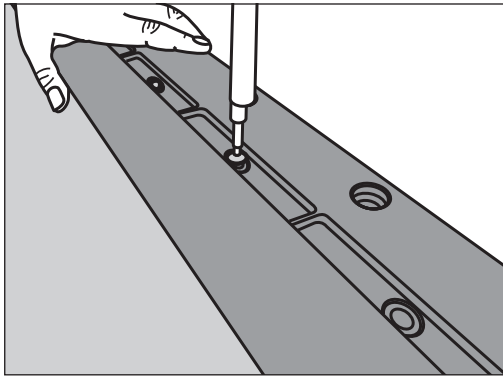
Step Seven: Soft Top Removal

REMOVE TOP FABRIC

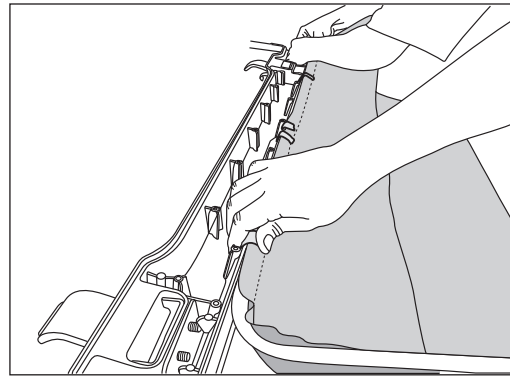
Raise the bow assembly and lock the header to the windshield. Drape the top fabric, backing side up, over the hood and windshield. Remove the twenty-seven (27) screws that secure the fabric to the upper and lower headers. Set the screws aside for use in installing the new top. Slide the extrusion along the front edge of the top out of the channel in the lower header and remove the old top from the vehicle.



Above: Top Fabric with backing side up.



Above: Remove screws (27) across header.



Above: Slide Extrusion along the front Edge of the Channel to remove Top.

Important Note:

At this point of the instructions you have successfully removed your old fabric top from the factory bow assembly. Please inspect all hardware before moving on to the installation of your new QuadraTop Fabric Replacement Soft

Top. If any of your factory hardware is damaged, view our list of replacement parts on page 12 before installing your new QuadraTop. If all your hardware is in good condition, proceed to Page 6 for the installation your new fabric top.



The Trusted Source

Step One: Soft Top Installation

INSTALL TOP FABRIC

Raise the bow assembly and lock the header to the windshield. As seen in Figure A, Drape the top fabric, backing side up, over the hood & windshield.

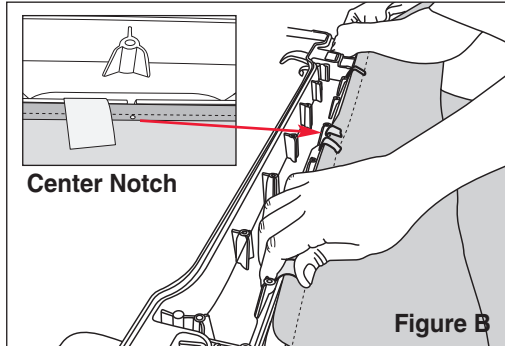
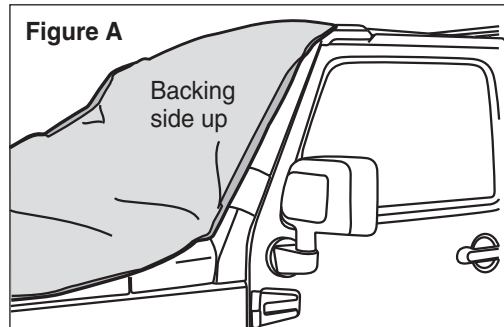
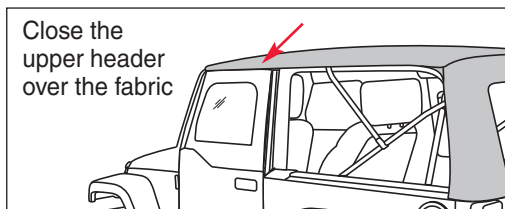


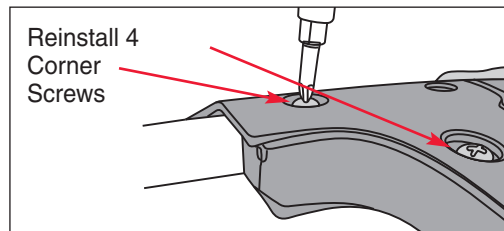
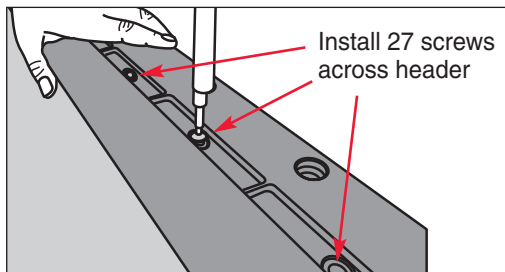
Figure B: Slide the extrusion along front edge of the top into the channel in the lower header. Line up center notch in the fabric with center notch in the header. Use masking tape to help hold fabric in place along the lower header.



Step Two: Soft Top Installation

INSTALL TOP FABRIC

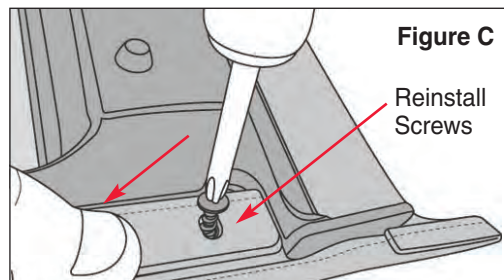
Close the upper header over the fabric, sandwiching the fabric, but leaving it facing up on the hood. Reinstall four (4) corner screws. Then install twenty-seven (27) screws across header. Lower the bow assembly to rear of the vehicle.



Step Three: Soft Top Installation

INSTALL CORNER SCREWS

Slip the fabric pocket sewn into the top between the headers and position the cable anchors. As shown in Figure C, Re-install two (2) T-15 Torx Screws through the fabric and metal flag into the Lower Header on each side.

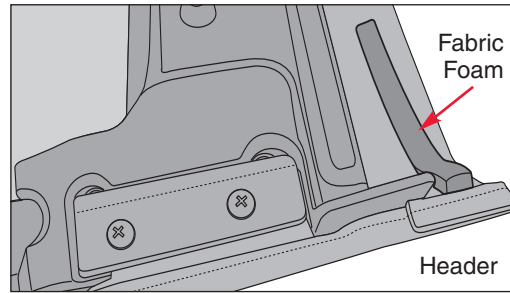
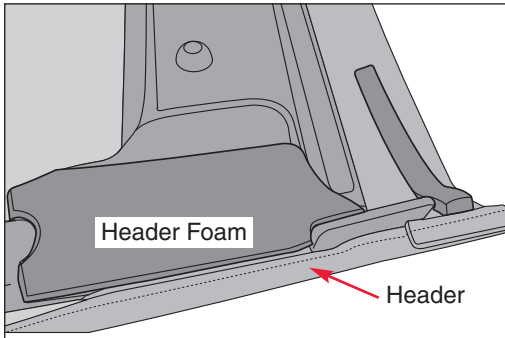


The Trusted Source

Step Four: Soft Top Installation

INSTALL FABRIC FOAM

Peel the backing off the Fabric Foam and install it on each side of the Header.



Step Five: Soft Top Installation

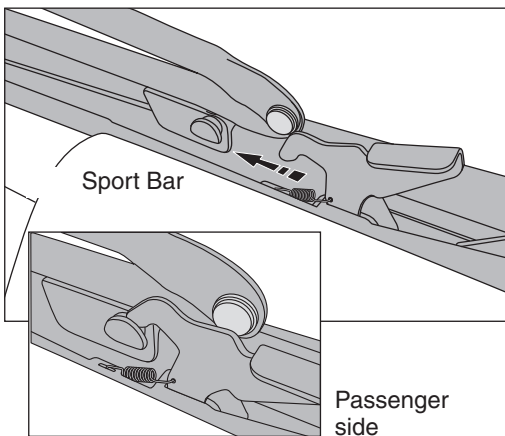
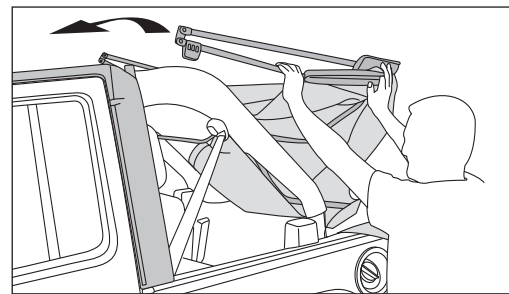
INSTALL HEADER FOAM

Peel the backing off the Driver's Side Header Foam and install it on the driver's side of the header. Repeat on the passenger side.

Step Six: Soft Top Installation

DRAPE TOP OVER CAB

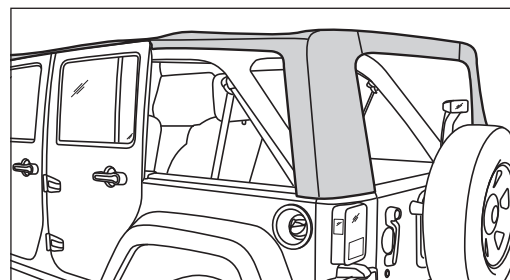
At this stage, open the top and drape the fabric over the cab. Next you will be reinstalling hardware back inside the vehicle.



Step Seven: Soft Top Installation

SECURE BOW ASSEMBLY

Slide the Pivot Assembly on the top along the track above the door until it latches into place.



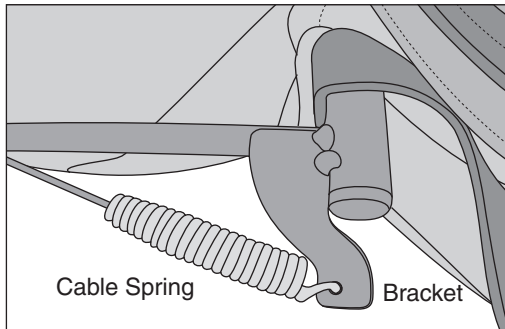
Step Eight: Soft Top Installation

PULL FABRIC OVER BOWS

Pull the fabric up over bow assembly.



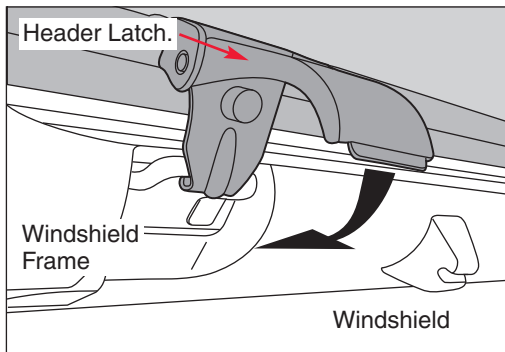
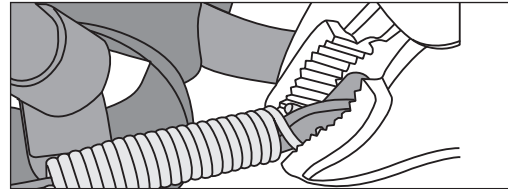
The Trusted Source



Step Nine: Soft Top Installation

SECURE CABLE SPRING

Lift the Header to reduce Side Cable tension. Hook the Cable Spring to the bracket on the bow and use a pair of pliers to crimp the spring.



Step Ten: Soft Top Installation

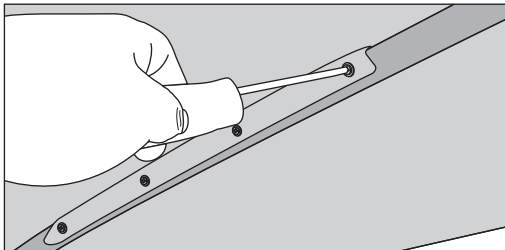
SECURE HEADER TO WINDSHIELD

Close the header latches to secure the front of the top to the windshield.

Catch the hook in the loop in the windshield frame and then close the lever over it so it lays flat against the windshield frame.

CAUTION

Leading edge of top must be secured to prevent loss of top at speed, folding or damage. Latches must be fully closed and free of mud or other contamination. Do not use top if either latch is damaged.



Step Eleven: Soft Top Installation

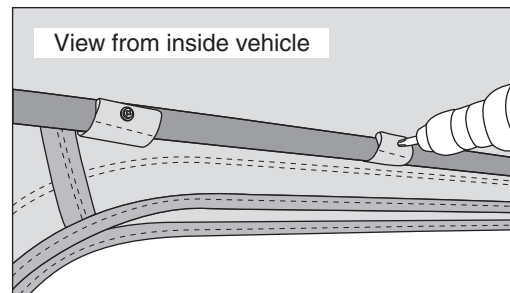
SECURE BOW #3

Reinstall the four (4) screws that attach the flap in the top to the Center Bow.

Step Twelve: Soft Top Installation

ATTACH TOP TO REAR BOW

Locate the flaps inside the top above the rear window opening. Use the four (4) screws that were removed in Step 4 to secure the flaps to the Rear Bow.

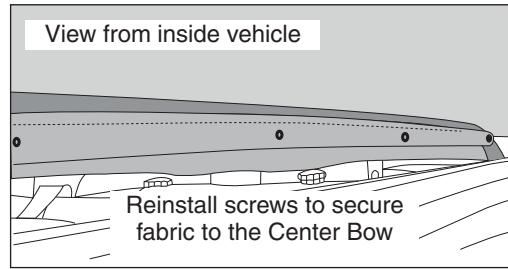
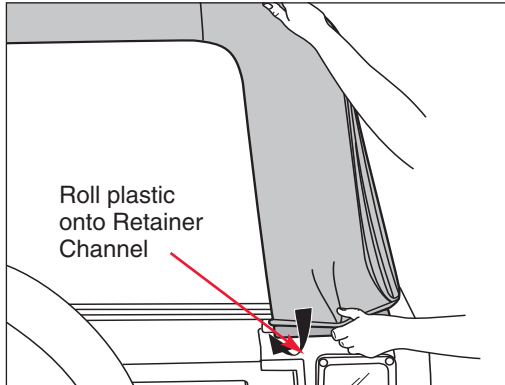


The Trusted Source

Step Thirteen: Soft Top Installation

SECURE CENTER BOW

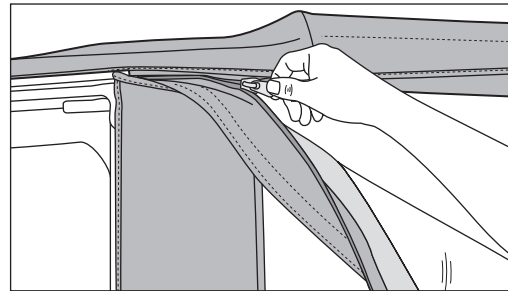
Reinstall the screws removed in Step 5 to secure the fabric to the Center Bow.



Step Fourteen: Soft Top Installation

SECURE REAR CORNERS

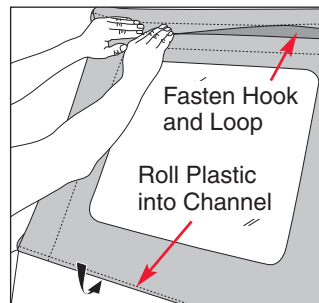
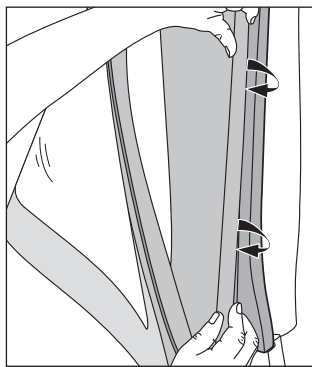
Pull down on the Rear Bow and work the plastic sewn to the rear corners of the top into the retainer on the vehicle.



Step Fifteen: Soft Top Installation

ATTACH QUARTER WINDOW ZIPPERS

Start the zipper on the Quarter Window and close it 1-2 inches. Repeat on other side of vehicle.



Step Sixteen: Soft Top Installation

SECURE FRONT QUARTER WINDOWS

Roll the plastic strip along the front of the Quarter Window into the channel in the Door Surround.

Step Seventeen: Soft Top Installation

SECURE QUARTER WINDOW

Close the zipper and slip the plastic along the bottom of the Side Window into the channel on the vehicle. Fasten the hook and loop strip above the window to the top.

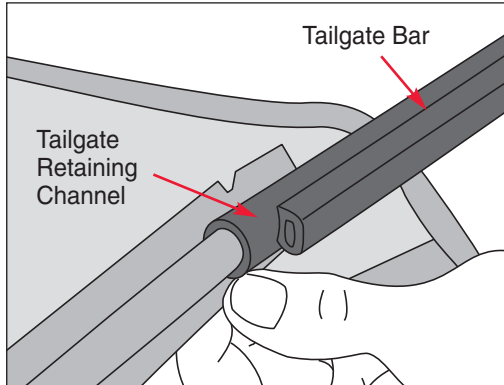
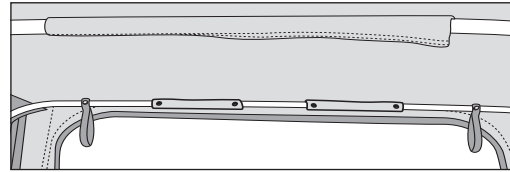


The Trusted Source

Step Eighteen: Soft Top Installation

INSTALL ELASTIC GARTERS

Snap the Elastic Garters to snaps on the Rear Bow above rear window opening.



Step Nineteen: Soft Top Installation

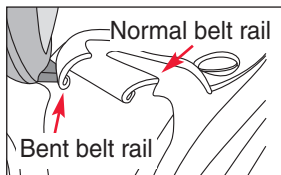
INSTALL TAILGATE BAR ON REAR WINDOW

Remove the Rear Window from the box and lay it flat with the backing side up. Locate the Tailgate Bar set aside in Step One. The bar has a "C" shaped channel, when viewed from the end. Orient the bar with the round seal down and slide the "C" channel on the retainer onto the tubed strip sewn to the backing side of the rear window.

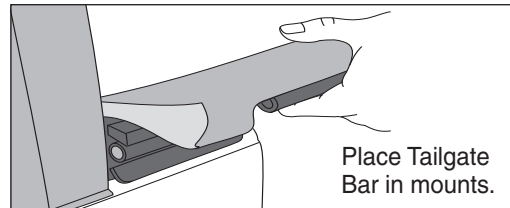
Step Twenty: Soft Top Installation

INSTALL TAILGATE BAR ON VEHICLE

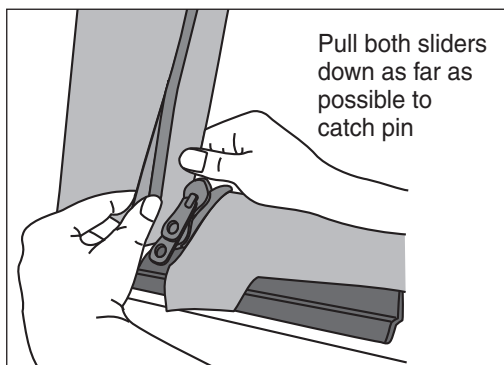
Before installing the tailgate bar to your Jeep, please examine the belt rail next to the rear tailgate opening. This belt can be accidentally bent upwards over time



so you may need to gently press the belt rail back down to achieve a proper seal.



Insert the Tailgate Bar into the mounts on each side of the tailgate opening with the vinyl side of the Rear Window toward the outside of the vehicle.



Step Twenty-One: Soft Top Installation

SECURE REAR WINDOW ZIPPERS

To start the zipper, pull the two sliders as far down as possible on the driver's side of the window in order to catch the sliders to the pin. Once the zipper is caught, start the top slider 1/2".

Continued on next page...

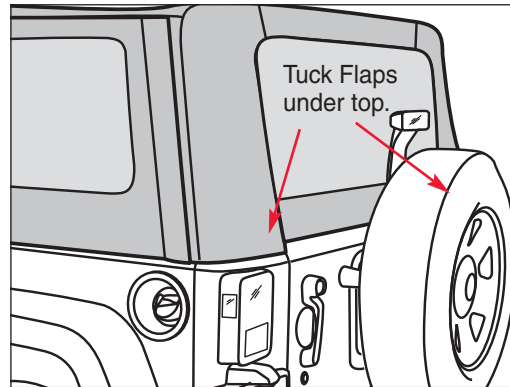


The Trusted Source

Step Twenty-One: Soft Top Installation

SECURE REAR WINDOW ZIPPERS

Continued: Hold up the top of the window with one hand and close zipper with the other. Zipper is sandwiched between layers of fabric in the corners so be careful not to catch extra fabric in the zipper. Close the zipper. Make sure that the Tailgate Bar is centered and is securely in the mounts. Then tuck the flaps on the Rear Window under the top fabric. **Installation is now complete.**



NOTICE

Before rolling up the rear window, make sure glass is clean. Dirt and debris can cause scratches when rolled up.

Folding The Top Down:

REMOVE QUARTER PANELS AND REAR WINDOW

To remove the Quarter Windows, unzip the rear and top zippers. Release the plastic strip from the retainer. Release the Hook and Loop Fasteners from around the vertical retainer. To roll up

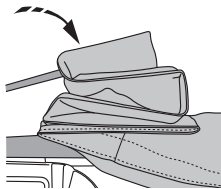
the Rear Window, remove the Tailgate Bar and open the zippers on each side of the window to the top. Start at the bottom and roll the window to the inside. Avoid wrinkles in the fabric and window. Secure it in place with the elastic garters inside of the top.

⚠ WARNING ⚠

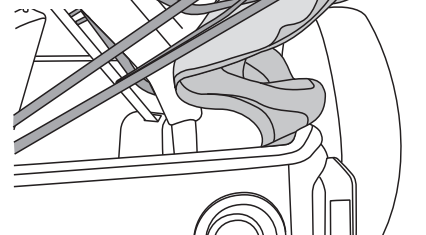
WHEN OPERATING VEHICLE WITHOUT THE QUARTER WINDOWS, THE REAR WINDOW SHOULD BE ROLLED UP AND SECURED WITH THE ELASTIC GARTERS FOR PROPER VENTILATION.

COLLAPSE TOP

Release the front of the top from the windshield. Raise the front of the deck and collapse the rear bows, tucking the two plastic strips above the door openings and the stay pad on the rear bow inside of the bows. Wrap the fabric around the bows, then tuck the rear legs of the top under the bows. When top is collapsed, tuck all fabric safely inside the vehicle.



Collapse bows and fold toward rear. Tuck plastic strips and stay pad inside bows.



The Trusted Source

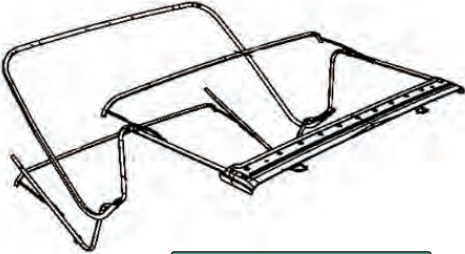


**Replacement Hardware
and Soft Top Accessories:**

Now that you have reviewed this set of instructions, and looked at your original equipment hardware, you may have noticed that some of your original top hardware is missing or damaged. Quadratec offers a full assortment of original equipment hardware and stor-

age solutions to keep your top looking new and performing at its peak. The following parts and current pricing are available at **Quadratec.com**

Don't see what you need here? Call us for Expert Advice at **800-745-5337**

Top Hardware Piece Parts:
Mopar® OEM Replacement Components

Door Surrounds
with Tailgate Bar:
#11132.9540



Soft Top
Storage Bag:
#91109.1102

Quick Release
Bow Knuckles:
#11033.002




Windshield
Header
Channels:
#11122.102
and
#11120.10

Soft Top
Cleaner and
Protectant
and Window
Cleaner:
#91083.XXXX



Zipper Cleaner
and Lubricant:
#91183.11XX



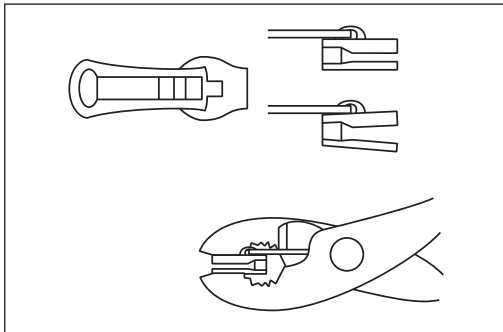

The Trusted Source

Care and Maintenance:

Your QuadraTop is made of the finest materials available but to keep it looking new and for the maximum possible wear, it will need periodic cleaning and basic maintenance. The main threats to your soft top are pollutants, dirt and grime. By keeping your soft top clean you will prolong the life of your top. We recommend the following to keep your top like new:

Washing: The soft top fabric should be washed often using a mild soap, warm water and a soft bristle brush (do not use the brush on the window glass!). You can also use special soft top cleaners available on our website and shown on page 12. Make sure that after cleaning you rinse with clear water to remove all traces of soap.

Zippers: Keeping the zipper cleaned and lubricated with a silicone lubricant (see Page 12) will help prevent damage and keep the zippers in a smooth working condition. If zipper opens behind the slider, the slider may have been spread apart. This problem can usually be fixed



by using an ordinary pair of pliers to bring the sides back into parallel. Return slider to the end of the zipper in the normal Open position. Squeeze lightly at

first and test zipper. If the zipper continues to remain open squeeze more firmly with pliers and try the zipper again. Repeat procedure until your zipper operates correctly.

Windows: It is very important that you keep your QuadraTop windows clean! Use a mild soap and water solution to gently clean your windows. NEVER wipe your windows clean with a dry cloth! Dust and dirt on a dry cloth can scratch your windows causing “fogging” and permanent damage. When removing your windows, store them with a towel between the panels/rear windows to protect them from damage. If frost or ice forms on the outside of your windows during the winter, DO NOT use an ice scraper to remove this frost. Over time you will see small micro scratches in your windows which are natural wear and tear. These Micro scratches can be “polished” out using the window polish listed on page 12 (Available at Quadratec.com).

Water/Fabric: In the event of seeping through the seams, 3M Scotchgard® may be applied on the inside of the seams to stop the see. Rips in the fabric may be repaired with Bondex® iron on patches. Iron the patches to the Inside of the top, carefully following the Bondex® instructions.

Snaps: Keep snaps cleaned and lubricated with silicone to help prevent snaps from sticking to the studs. If a snap does become stuck to a stud, use a screwdriver and GENTLY pry apart to prevent permanent damage to the snap or the top fabric.



The Trusted Source

Introducing:

QuadraTop

SUMMER ACCESSORIES

Bimini, Bimini Plus, Windstopper & Tonno Cover

- > Durable 23oz fabric
- > Simple, no-drill installation
- > Heavy-duty straps & buckles
- > Fits over factory softtop hardware
- > Color-matched to all accessories

For '07-'14 JK Wrangler:

- Bimini Top #11022.0435 ... \$49.99
- Bimini Top Plus #11022.1X35 ... from \$69.99
- Windshield Header Channel #11122.102 ... \$54.99
- Windstopper #11028.0X35 ... \$64.99
- Tonno Cover #11051.0X15 ... \$79.99



Complete 4 Piece Kit:

Bimini Top, Windshield Channel, Windstopper and Tonno Cover for '07-'14 Wrangler #11022.9XXX ... from \$249.96



Due to the limitations of printing, all color samples shown in this catalog are close approximations only.



The Trusted Source

Quadratec Exclusive Parts and Accessories:



HOT! Quadratec Logo Grab Handles

- > Convenient handles for getting in & out
- > Great way to hang on during open air driving
- > Neoprene Wrapped w/Custom Quadratec logo
- > Attach easily with hook & loop fasteners
- > Choose Black or Red

3" Quadratec Neoprene Wrapped Deluxe Sport Handles
Sold in Pairs #14018.120X **only ...\$19.99**

Choose Black or Red

Quadratec Emergency Top

- > Lightweight & easy to store
- > Installs in minutes
- > Constructed of rain-resistant PVC-fabric
- > Rear window can be stored in storage bag
- > Includes storage bag & 2 water-proof ponchos

For '07-'14 Wrangler 2 Door #11174.1041 ...**\$99.99**
For '07-'14 Wrangler 4 Door #11174.1051 ...**\$119.99**



Storage Bag & 2 Ponchos included



Quadratec Replacement Mirrors

- > Direct bolt to any '07-'14 Wrangler
- > Designed to original equipment specifications
- > Available single replacements or as a pair
- > Includes pre-assembled arms, mounting brackets and hardware

Driver & Passenger Side Priced per mirror

For '07-'14 Wrangler w/ soft doors #13111.032X ... **\$44.99 each***

Replacement Mirror for '07-'14 Wrangler #13111.030X ... **\$59.99 each***

Driver & Passenger Side Priced as a pair

For '07-'14 Wrangler w/ soft doors #13111.0320 ... **\$79.98 each***

Replacement Mirror for '07-'14 Wrangler #13111.0330 ... **\$109.98 each***

*Fits '07-'14 Wrangler with Bestop Fabric Superdoor



Each mirror features our Quadratec logo



The Trusted Source

Quadratec Limited Warranty

for QuadraTop® Replacement Soft Tops

Your QuadraTop replacement soft top is covered by the following **Limited Warranty** provided exclusively by Quadratec, Inc. 1028 Saunders Lane, West Chester, PA 19380.

This **Limited Warranty** is the only warranty made in connection with purchase. Quadratec neither assumes nor authorizes any vendor, retailer or other person or entity to assume for it any other obligation or liability in connection with this product or **Limited Warranty**.

What is Covered:

Subject to the terms, exclusions and limitations herein and with respect only to soft tops first sold in the United States, Quadratec warrants to the initial retail purchaser only that your QuadraTop soft top shall be free of defects in material and workmanship **for a period of 3 years from date of initial retail sale.**

All other warranties are hereby disclaimed, except to the extent prohibited by applicable law in which case any implied warranty of merchantability or fitness for a particular purpose on this product is limited to 3 years from date of initial retail sale. Quadratec reserves the rights to: (a.) require invoice or other proof your soft top is within the terms of this **Limited Warranty** as a condition of warranty service and, (b.) make future revisions to this product and **Limited Warranty** without prior notice or obligation to upgrade your soft top.

What is Not Covered:

Your Quadratec **Limited Warranty** does not cover products or parts Quadratec determines to have been damaged by or subjected to: (a.) installation damage, alteration, modification, failure to maintain or attempted repair or service by anyone not authorized by Quadratec, (b.) normal wear and tear, cosmetic damage or damage from water immersion, (c.) Acts of God, accidents, misuse, negligence, inadequate mounting or impact with vehicle(s), obstacles or other aspects of the environment, (d.) theft, vandalism or other intentional damage.

Remedy Limited to Repair/Replacement:

The exclusive remedy provided hereunder shall, upon Quadratec inspection and at Quadratec's option, be either repair or replacement of product or parts (new or refurbished) covered under this Limited Warranty. Customers requesting warranty consideration on QuadraTop soft top should first contact Quadratec to obtain a RGA number (610-701-3336). All labor, removal, shipping and installation costs are customer's responsibility.

Other Limitations - Exclusion of Damages

- Your Rights Under State Law:

In consideration of the purchase price paid, neither Quadratec nor any independent Quadratec distributor/licensee are responsible for any time loss, rental costs, or for any incidental, consequential, punitive or other damages you may have or incur in connection with any part or product purchased. Your exclusive remedy hereunder for covered parts is repair/replacement as described above.

This **Limited Warranty** gives you specific rights. You may also have other rights that vary from state to state. For example, some states do not allow limitations of how long an implied warranty lasts and/or do not allow the exclusion or limitation of incidental or consequential damages, so the limitations and exclusions herein may not apply to you.

©Quadratec, Inc. 2013. All Rights Reserved.

Version 10.31.13 A4

The terms Quadratec®, Essentials® and Essential® are Registered Trademarks of Quadratec Inc. Registered in U.S. Patent and Trademark Office.

Part #12999.0216



The Trusted Source