



## **Instructions for KC #7324 Hood Mount Bracket Set for KC 336 LED 30" Bar on Jeep JK**

Thanks for choosing a KC HiLiTES product. We take pride in building the highest quality, best engineered systems possible. Your satisfaction with our product is important, so if you have any questions, please call our customer service line at 800-528-0950. **For warranty information, visit our website at [www.kchilites.com](http://www.kchilites.com).**

### ***Parts Included***

- 4 - M8 x 1.25 x 30mm black bolts
- 4 - M8 black washers
- 4 - Spacers

### **MOUNTING THE BRACKETS**

1. Remove the four bolts from the hood hinges that attach the hood.
2. Set one spacer over each hole in the hood hinges.
3. Attach each LED bracket to the hood hinge using the supplied M8 hardware. ***Note - The brackets will be positioned with the slotted hole facing forward and the triangular shape to the outside of the bolts. There should be approximately 31.5" between the bracket mounting slots.*** Start and hand tighten each of the bolts through the LED bracket, spacer, hood hinge and then into the hood. Tighten after all bolts are in place.
4. Install your KC 336 30" LED bar using the hardware and wiring instructions supplied with the LED bar.

### **YOU'RE DONE**



# Instructions for KC #334, 335, 336, 337, 338 LED Light Bars with Harness

Thanks for choosing a KC HiLITES product. We take pride in building the highest quality, best engineered systems possible. Your satisfaction with our product is important, so if you have any questions, please call our customer service line at 800-528-0950. For warranty information, visit our website at [www.kchilites.com](http://www.kchilites.com).

## Parts Included

- 1 - LED Light Bar
- 1 - Wiring Harness Kit
- 1 - Set Mounting Brackets w/Hardware

**PLEASE NOTE - This light bar is for OFF ROAD USE ONLY**

## INSTALLING THE BRACKETS

**NOTE** - If this LED bar is part of a package including brackets for a specific vehicle, follow the bracket mounting instructions included with the brackets.

- Using the Allen wrench supplied, attach one bracket to each end of the bar (they can be mounted facing inward or outward depending on your needs). Tighten only enough to hold in place. Later after aiming, you will tighten securely.

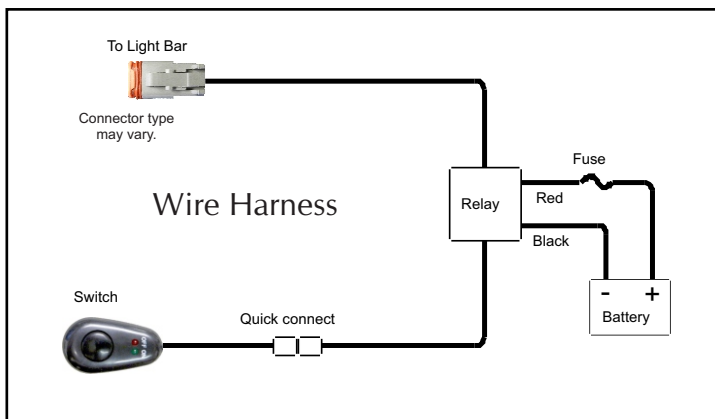


## MOUNTING YOUR LIGHTS

- Choose a location on your bumper or other flat surface for mounting your bar. Measure the distance between mounting bracket holes and mark carefully. Now drill an 8mm hole for each bracket. Install the bar with the bolts and nuts supplied and tighten securely.

## WIRING YOUR LIGHTS

- Remove the fuse from the harness. Attach the harness wire to the light. Route the harness toward the 12V battery/power source and mount the relay using the supplied sheet metal screw. Attach the negative (black) wire to a good chassis ground and power (red) wire to a positive 12 volt power source.
- Disconnect the switch wire at the quick-connect terminal from the harness and continue routing through the firewall to the inside of the vehicle. **If you are unable to find an existing hole in the firewall, it may be necessary to cut a 3/4 x 7/16" hole for the plug to pass through.**
- Re-connect the switch lead to the harness and find a flat suitable place to mount the stick-on switch. Clean the area where mounting the switch with alcohol, let dry, then peel off the protective covering on the switch and firmly press in place.
- Re-install the fuse.



## AIMING YOUR LIGHTS

- Since this light bar is not legal on any public road or highway, aiming is entirely up to you. Most prefer the beam as far down the road as possible, others adjust it slightly down to illuminate more area close to the vehicle.
- After aiming the bar to your preference, tighten all hardware.

## YOU'RE DONE