

QuadraTop[®] PREMIUM Fabric Replacement Soft Top

Installation Manual for '97-'06 Wrangler #11000.2XXX



⚠ WARNING ⚠

Loss of vehicle control involves risk of death or serious injury, particularly to parts of your body not restrained within vehicle. This product is intended for weather protection only and should not be relied upon to contain occupants in the event of an accident or to protect from either ground contact or falling objects. To reduce risk of accident or injury:

- **ALWAYS WEAR SEATBELTS**
- Always keep head, arms & body parts within vehicle.
- Fully secure or stow the soft top before driving according to instructions. Never try to latch or fold soft top while driving. Do not use if damaged or worn.
- Read and follow all instructions & warnings accompanying this product, in your vehicle owner's manual and Off Road Driving Supplement.

⚠ CAUTION ⚠

RISK OF EYE INJURY. Safety glasses should be worn at all times while installing or maintaining this product.

PARTS LIST:

FABRIC TOP - QTY 1
QUARTER WINDOW, RIGHT - QTY 1
QUARTER WINDOW, LEFT - QTY 1
REAR WINDOW - QTY 1
UPPER DOOR SKIN, RIGHT - QTY 1*
UPPER DOOR SKIN, LEFT - QTY 1*

***WHERE APPLICABLE**

REQUIRED TOOLS:

SAFETY GLASSES
SHOE HORN OR LARGE SPOON
RAZOR KNIFE
PHILLIPS SCREWDRIVER
SOFT BEACH SIZE TOWEL



The Trusted Source

Important Safety Information:

Your QuadraTop® Premium soft top is intended to increase the utility and enjoyment of your off-road capable vehicle. Before installation, please take a moment to review the following safety

information and installation instructions. Important safety information is generally preceded by one of three signal words indicating the relative risk of injury. The signal words mean:

⚠ WARNING ⚠

a hazardous situation which, if not avoided, could result in death or serious injury. You CAN be KILLED or SERIOUSLY HURT if you don't follow instructions.

⚠ CAUTION ⚠

a hazardous situation which, if not avoided, could result in minor or moderate injury. You CAN be moderately HURT and also may suffer property damage if you don't follow instructions.

NOTICE

Careful attention is required to this instruction or operation but does generally not relate to personal injury. Damage to your Quadratec® product or other property may result if you don't follow instructions.

Before You Begin Soft Top Installation:

Congratulations on your purchase of the QuadraTop! This high quality soft top is designed to provide years of protection from whatever nature can throw at you! We have used only the finest materials in creating this soft top but like any product that is exposed to the elements, there is some general maintenance that is required to keep your QuadraTop looking like new. Please see page 13 for these important maintenance tips as well as page 12 for available hardware components that may have been lost or worn over the years. Thank you again for your purchase and let's start the installation process!

When unpacking, check to make sure all parts are included. If any part is missing or broken, please call Quadratec Customer Service at 800-745-6037 as soon as possible.

Important: Make sure you become familiar with the installation process of this top by reading the following instruction sheet thoroughly.



Existing soft top hardware required to install this top. Does yours match?

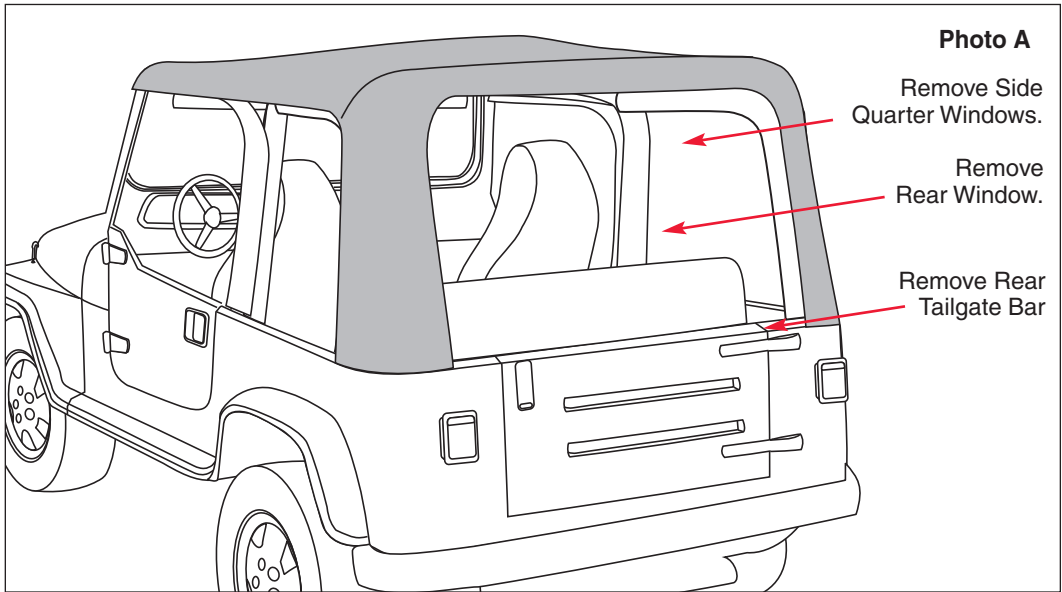
Important: For a smooth fit and ease of installation, this top should be installed at temperatures above 72 degrees. Below this temperature, the fabric may contract an inch or more making it difficult to install. We highly recommend taking the top out of the package and letting it sit inside a warm place or in direct sun light for 1-2 hours before you install the top. When warm, this top will install quickly.

Important: Note that it is normal for the fabric and glass to contract and wrinkle when stored in the shipping carton. In a few days the fabric and glass will relax & wrinkles will disappear.



The Trusted Source

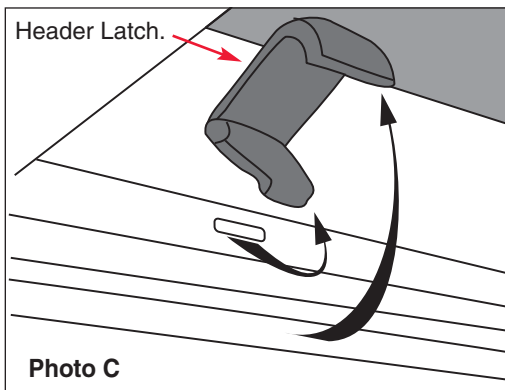
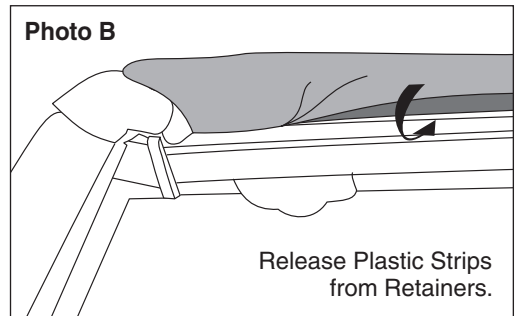
Step One: Soft Top Removal



REMOVE THE SIDE QUARTER WINDOWS AND REAR WINDOW

Remove the Quarter Windows and the Rear Window. Remove the metal Tailgate Bar from the bottom of the Rear Window and set it aside.

Release the plastic strip sewn to the top above the doors. Pull down and out to slip the plastic out of the channel.



Step Two: Soft Top Removal

RELEASE WINDSHIELD LATCHES

Release the latch that secures the header to the windshield. Pull up on the lever and then down and out to release the hook from the slot in the windshield frame.

Photo C Pull Up Lever and Release Hook from Slot in Windshield.

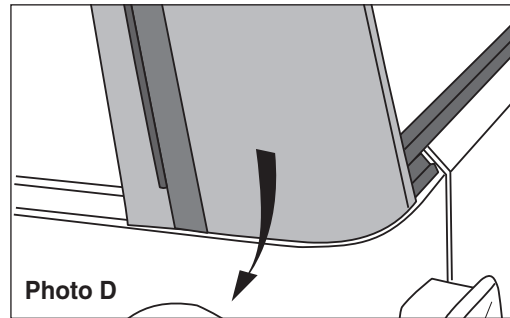
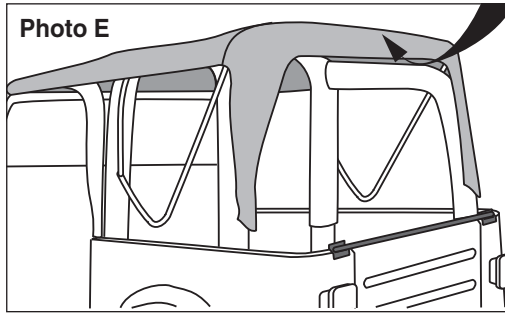


The Trusted Source

Step Three: Soft Top Removal

RELEASE REAR CORNERS

Release the rear corners of the top. Pull gently down and then out to release the plastic strip from the retainer on the vehicle.



Step Four: Soft Top Removal

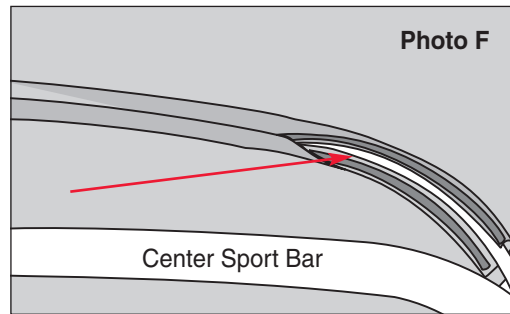
UNSNAP REAR BOW

Unsnap the fabric from the rear bow and allow the bow to drop onto tailgate.

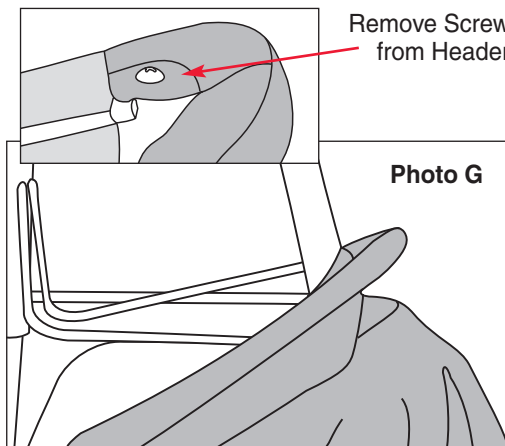
Step Five: Soft Top Removal

UNFASTEN CENTER BOW

As shown in Photo F, Unfasten the Hook and Loop Fastener flap around the Center Bow assembly. It is located above center support bar.



Inside Vehicle View.



Step Six: Soft Top Removal

REMOVE CORNER SCREWS

With the bow assembly laying on the tailgate, remove the screws that fasten the fabric to the corners of the header. Set the screws aside for use in installing the new top fabric.

Photo G Collapse bow assembly and fabric onto tailgate and remove screws from Header (see inset image for details).



The Trusted Source

Step Seven: Soft Top Removal

REMOVE SCREWS

HOLDING FABRIC TO HEADER

Flip the top fabric back over into the rear of the vehicle (so that the fabric lays backing side up) to expose the plastic strip along the edge of the fabric. Remove the eight or fourteen screws that secure the fabric to the header. Set the screws aside for use in installing the new top. Then remove the old top fabric from the vehicle.

NOTE: Due to a running change in the header assembly by Chrysler, the plastic strip on the windshield header may have 8 screw locations instead of 14. Both attachment numbers of screws will securely fasten the header and perform as the original design was intended.

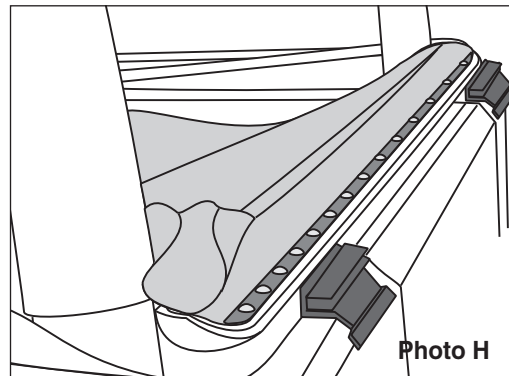


Photo H

Photo H Flip the Fabric Into the Rear of the Vehicle and Remove the 8 or 14 Screws (Depending on Header Style SEE NOTE) that Secure the Fabric to the Header.

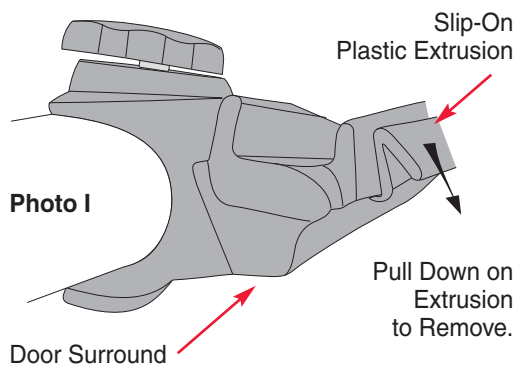


Photo I

Step Eight: Soft Top Removal

If you have a 1997 vehicle with a slip-on plastic extrusion on the door surround, it must be removed. Pull down on the extrusion to work it loose.

Important Note:

At this point of the instructions you have successfully removed your old fabric top from the factory bow assembly. Please inspect all hardware before moving on to the installation of your new QuadraTop Fabric Replacement

Soft Top. If any of your factory hardware is damaged, view our list of replacement parts on page 12 before installing your new QuadraTop. If all your hardware is in good condition, proceed to Page 6 for the installation your new fabric top.



The Trusted Source

Step One: Soft Top Installation

INSTALL TOP FABRIC ON HEADER

In order to install the top fabric, make sure that the Center and Rear Bows are in the folded down position on the rear of the vehicle.

Lay the top fabric, backing side up in the rear of the vehicle with the plastic strip facing up and aligned with the front edge of the header. Locate the round hole that marks the center of the plastic strip (all other holes are slotted). Install a screw in the round hole to secure fabric to the header as well as to center the top. Then proceed to install screws in the remaining seven or thirteen holes along the front of the header.

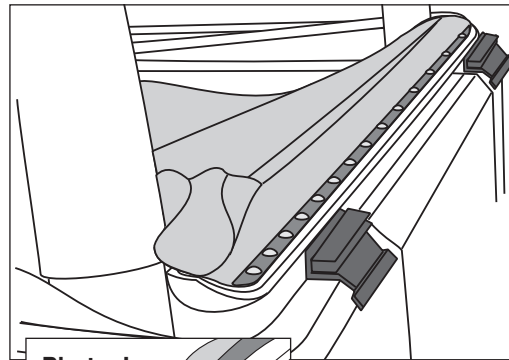


Photo J

Photo J Start with Center ROUND Hole when installing Fabric back onto Header.

NOTICE

Quadratec Premium fabric is thicker and heavier than normal soft top fabric. For ease of installation it must be warm before attempting to install over your hardware.

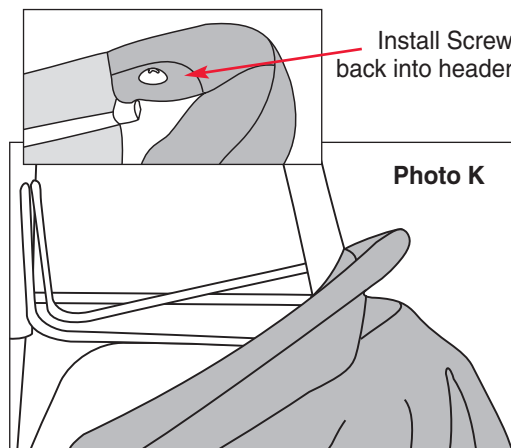


Photo K

Step Two: Soft Top Installation

INSTALL CORNER SCREWS

As seen in **Photo K and inset**, flip the fabric over so that it wraps around the header and drape the top fabric over the tailgate. Raise the header slightly and work the pockets in the fabric over the corners of the header. Install an oval head screw in each corner to secure the fabric to the header.

Photo K: Drape Fabric over Tailgate and work pockets over corners of Header.

Step Three: Soft Top Installation

SNAP TOP TO REAR BOW

Raise the header and bow assembly (Photo L) toward the windshield and into position. Inside the top, snap the fabric to the Rear Bow (six snaps).

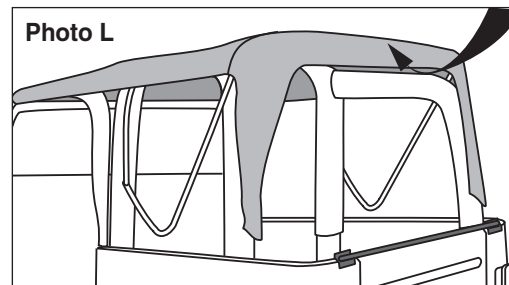


Photo L

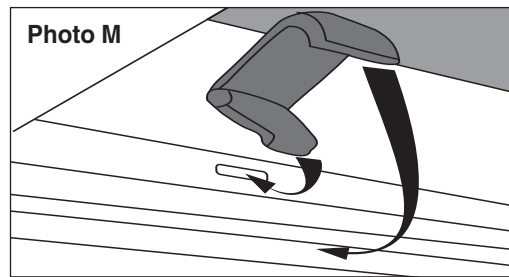


The Trusted Source

Step Four: Soft Top Installation

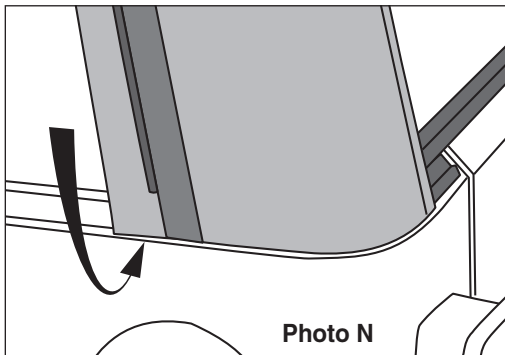
SECURE HEADER TO WINDSHIELD

As shown in Photo M, close the header latches to secure the front of the top to the windshield. Catch the hook in the slot in windshield frame and then close the lever over it so that it lays flat against the windshield frame.



CAUTION

Leading edge of top must be secured to prevent loss of top at speed, folding or damage. Latches must be fully closed and free of mud or other contamination. Do not use top if either latch is damaged.



Step Five: Soft Top Installation

SECURE REAR CORNERS

Make sure that the Center Bow is centered in the hook and loop flap inside the top. **Do not fasten the flap at this time.** Pull down gently on the Rear Bow and work the plastic sewn to the rear corners of the top into the retainer on the vehicle. (see photo N)

Step Six: Soft Top Installation

SECURE CENTER BOW

Wrap the hook and loop flap inside the top around the Center Bow and fasten it to itself as seen in Photo O.

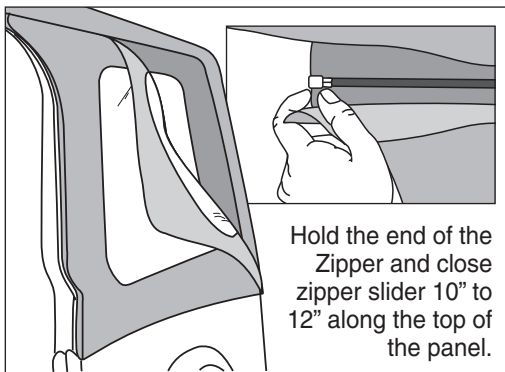
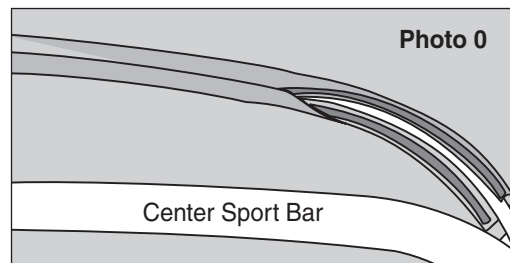


Photo P



Inside Vehicle View.

Step Seven: Soft Top Installation

ATTACH QUARTER PANEL ZIPPERS

Locate the left & right Quarter Panels and orient them with the zipper along the top and rear of the panel. Start zipper at the front top corner of Quarter Panel, next to the door. (see Photo P)



The Trusted Source

Step Eight: Soft Top Installation

SECURE QUARTER PANELS

Photo Q-1: Roll the plastic along the front of the Quarter Panel into channel of the Door Surround on vehicle. Close the zippers on the Quarter Panels the rest of the way to lower rear corner of the panel. Then as shown in Photo Q-2, start at the rear and roll the plastic along the bottom of the panel into the retainer on the vehicle. Then fasten the hook & loop strips along the top and rear of the panel to the top.

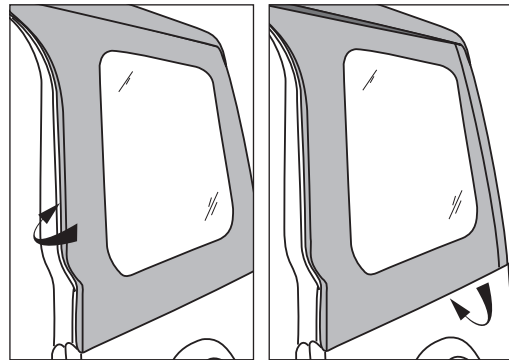


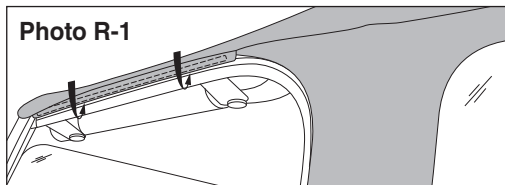
Photo Q-1

Photo Q-2

Step Nine: Soft Top Installation

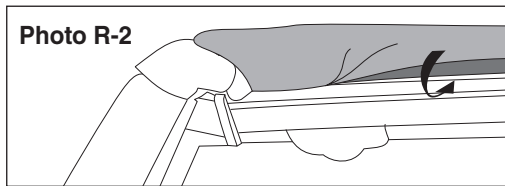
SECURE TOP ABOVE DOOR OPENINGS

For 97-02 Wranglers (photo R-1) locate the plastic strip sewn to each side of the top, above each door. Slip the strips into the channel in the Door Surround above the door opening.



Shown above for 97-02 Wrangler

For 03-06 Wranglers (photo R-2) locate the two plastic strips sewn to the sides of the top, above each door. Slip the strips into channel in the Door Surround above the door opening. It is easiest to insert the front plastic strip into the channel first.



Shown above for 03-06 Wrangler

Step Ten: Soft Top Installation

INSTALL TAILGATE BAR ON REAR WINDOW

Remove the Rear Window from the box and lay it flat with the backing side up. Locate the Tailgate Bar set aside in Step One. The bar has a "C" shaped channel, when viewed from the end. As shown in photo S, orient the bar with the round seal down and slide the "C" channel on the retainer onto the tubed strip sewn to the backing side of the Rear Window.

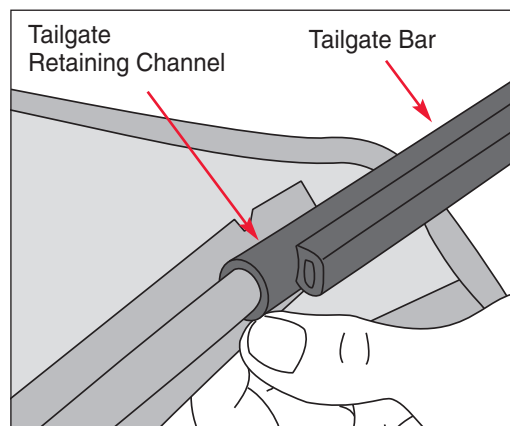


Photo S

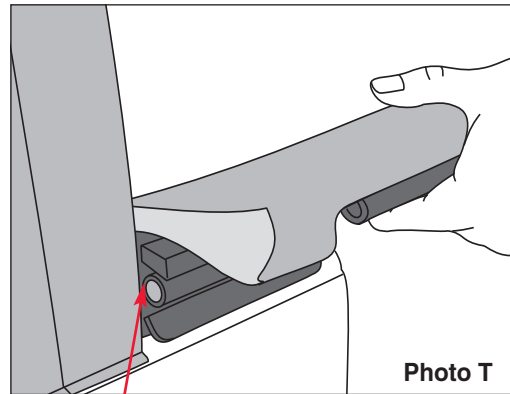


The Trusted Source

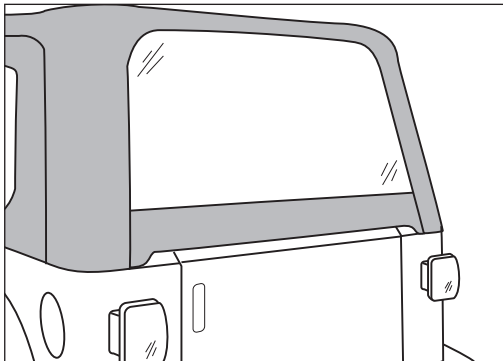
Step Eleven: Soft Top Installation

INSTALL TAILGATE BAR ON VEHICLE

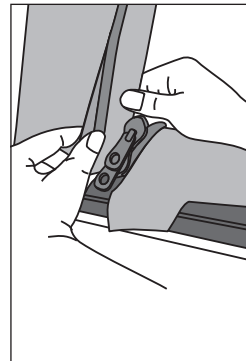
As shown in photo T, insert the Tailgate Bar into the mounts on each side of the tailgate opening with the vinyl side of the Rear Window toward the outside of the vehicle.



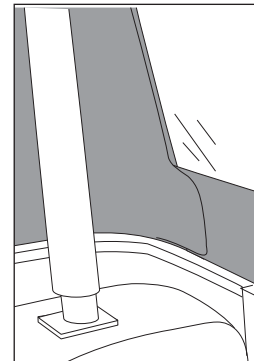
Place Tailgate Bar Into Rear Mounts.



Start zipper in the bottom corner, then tuck Flaps under rear section of Deck Fabric.



Pull both sliders down as far as possible to catch pin when starting zipper.



Pull flap over to cover zipper and tuck in.

Step Twelve: Soft Top Installation

SECURE REAR WINDOW ZIPPERS AND FLAPS

To start the zipper, pull the two sliders as far down as possible on the driver's side of the window in order to catch the sliders to the pin.

Inside the top locate the flaps sewn to the top on each side of the rear window opening. Pull the flaps over to cover the zipper and tuck them in.

Once the zipper is caught, start the top slider 1/2". Then hold up the top of the window with one hand and close the zipper with the other. The zipper is sandwiched between layers of fabric in the corners so be careful not to catch extra fabric in the zipper. Close zipper. Make sure that the Tailgate Bar is centered and is securely in the mounts. Then tuck the flaps on the Rear Window under the top fabric.



The Trusted Source

Door Cover Removal & Installation:

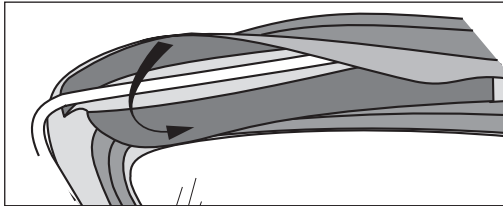
REMOVE OLD DOOR FABRIC

For QuadraTops that include Upper Door Covers, remove the fabric upper doors from the vehicle. Use a razor knife

to cut stitches on old door covers and take them off of the door frames. Remove any jewelry that could scratch the new windows.

⚠ WARNING ⚠

WHEN USING A RAZOR KNIFE, BE SURE TO KEEP HANDS AND FINGERS SAFELY AWAY FROM KNIFE BLADE. USE EXTREME CAUTION AS SERIOUS INJURY CAN OCCUR.



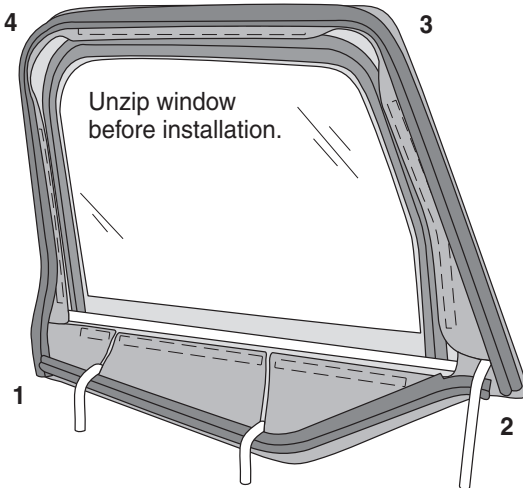
Door Frame between Hook and Loop Flaps.

1. Install Lower Rear Corner first
2. Install Lower Front Corner Next
3. Install Upper Front Corner
4. Use Tab to install Upper Rear Corner

INSTALL NEW DOOR FABRIC

Unzip the windows and separate the hook and loop fasteners on the door covers. Lay the door cover on soft towel on a flat smooth surface with the outside facing down.

Start by working the lower rear corner of the door frame into the pocket in the lower rear corner of the cover. Then work the lower front corner of the frame into the cover. Work the top front corner of the frame into the corner of the cover, between the hook and loop flaps (not between the zipper and the flap). Finally, use the tab sewn into the cover



to work the last corner of the frame into the corner of the door cover, again between the hook and loop flaps. Make sure that the top edge of the door cover is straight along the top of the door frame. Work around the door fastening the hook and loop strips tightly around the door frame.

Once the door cover is on the frame, the tab in the top rear corner of the cover may be cut off with a pair of scissors if desired.

NOTICE

Door covers are designed to fit very tight on the door frame. We recommended using a shoe horn or large spoon to help work the corners of the cover over the frame without tearing the fabric.

Do not pull on weatherstrip to assist in getting the door cover on door frame. This will tear weatherstrip and door will not seal properly.

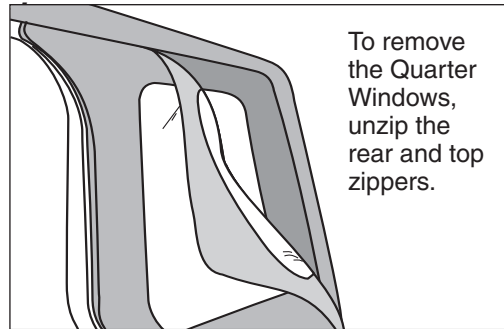


The Trusted Source

Folding The Top Down:

REMOVE QUARTER PANELS AND REAR WINDOW

Remove the Quarter Panels and the Rear Window. To remove Quarter Windows, unzip the rear and top zippers. Release the plastic strip from the retainer. Release the Hook and Loop Fasteners from around the Vertical Retainer. To roll up the Rear Window, remove the Tailgate Bar and open the zippers on each side of the window to the top. Start at the bottom and roll the window to the inside. Avoid wrinkles in the fabric and



To remove the Quarter Windows, unzip the rear and top zippers.

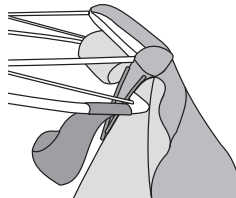
window. Secure it in place with the elastic garters inside of the top.

NOTICE

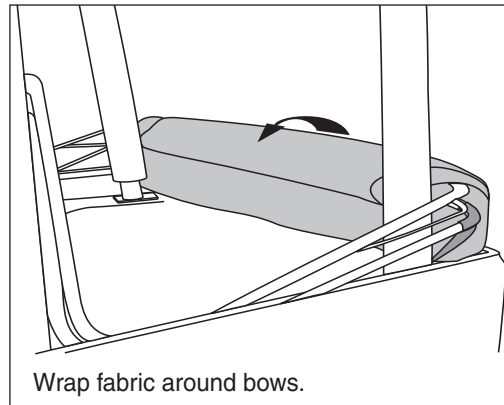
Before rolling up the rear window, make sure glass is clean. Dirt and debris can cause scratches when rolled up.

COLLAPSE TOP

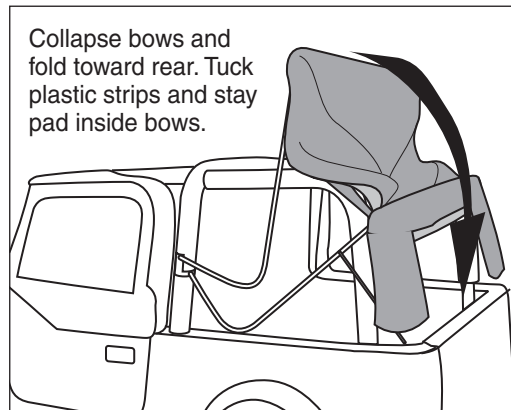
With all windows removed, release the front of the top from the windshield. Raise the front of the deck



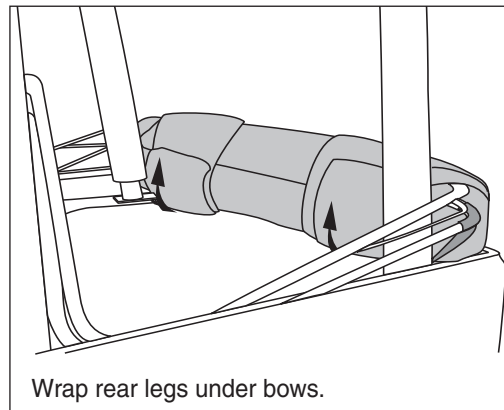
and collapse the rear bows, tucking the two plastic strips above the door openings and the stay pad on the rear bow inside of the bows. Wrap the fabric around the bows, then tuck the rear legs of the top under the bows.



Wrap fabric around bows.



Collapse bows and fold toward rear. Tuck plastic strips and stay pad inside bows.



Wrap rear legs under bows.



The Trusted Source

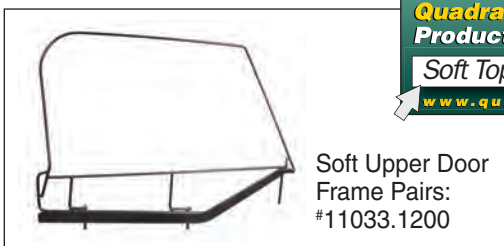
**Replacement Hardware
and Soft Top Accessories:**

Now that you have reviewed this set of instructions, and looked at your original equipment hardware, you may have noticed that some of your original top hardware is missing or damaged.

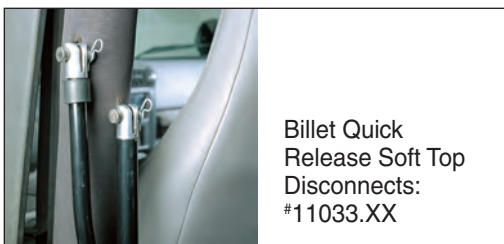
Quadratec offers a full assortment of original equipment hardware and stor-

*age solutions to keep your top looking new and performing at its peak. The following parts and current pricing are available at **Quadratec.com***

*Don't see what you need here? Call us for Expert Advice at **800-745-5337***



Quadratec
Product Search
Soft Top Hardware
www.quadratec.com



The Trusted Source

Care and Maintenance:

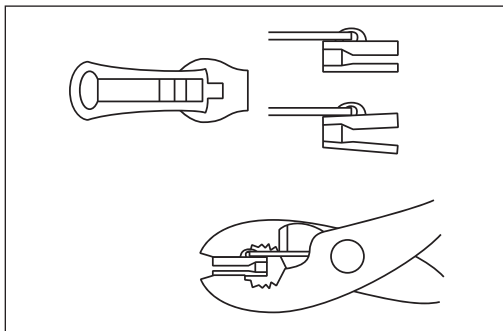
Your QuadraTop Premium is made of the finest materials available but to keep it looking new and for the maximum possible wear, it will need periodic cleaning and basic maintenance.

The main threats to your soft top are pollutants, dirt and grime. By keeping your soft top clean you will prolong the life of your top.

We recommend the following to keep your top like new:

Washing: The soft top fabric should be washed often using a mild soap, warm water and a soft bristle brush (do not use the brush on the window glass!). You can also use special soft top cleaners available on our website and shown on page 12. Make sure that after cleaning you rinse with clear water to remove all traces of soap.

Zippers: Keeping the zipper cleaned and lubricated with a silicone lubricant (see Page 12) will help prevent damage and keep the zippers in a smooth working condition. If zipper opens behind the slider, the slider may have been spread



apart. This problem can usually be fixed by using an ordinary pair of pliers to bring the sides back into parallel. Return slider to the end of the zipper in the

normal Open position. Squeeze lightly at first and test zipper. If the zipper continues to remain open squeeze more firmly with pliers and try the zipper again. Repeat procedure until your zipper operates correctly.

Windows: It is very important that you keep your QuadraTop Premium windows clean! Use a mild soap and water solution to gently clean your windows. NEVER wipe your windows clean with a dry cloth! Dust and dirt on a dry cloth can scratch your windows causing "fogging" and permanent damage. When removing your windows, store them with a towel between the panels/rear windows to protect them from damage. If frost or ice forms on the outside of your windows during the winter, DO NOT use an ice scraper to remove this frost. Over time you will see small micro scratches in your windows which are natural wear and tear. These Micro scratches can be "polished" out using the window polish listed on page 12 (Available at Quadratec.com).

Water/Fabric: In the event of seeping through the seams, 3M Scotchgard® may be applied on the inside of the seams to stop the see. Rips in the fabric may be repaired with Bondex® iron on patches. Iron the patches to the Inside of the top, carefully following the Bondex® instructions.

Snaps: Keep snaps cleaned and lubricated with silicone to help prevent snaps from sticking to the studs. If a snap does become stuck to a stud, use a screwdriver and GENTLY pry apart to prevent permanent damage to the snap or the top fabric.



The Trusted Source

Quadratec Exclusive Parts and Accessories:



QUADRATEC EXCLUSIVE!

HOT! Quadratec Logo Grab Handles

- > Convenient handles for getting in & out
- > Great way to hang on during open air driving
- > Neoprene Wrapped w/Custom Quadratec logo
- > Attach easily with hook & loop fasteners
- > Choose Black or Red

3" Quadratec Neoprene Wrapped Deluxe Sport Handles

Sold in Pairs #14018.7X only ... **\$19.99**

Choose Black or Red

Quadratec Premium Mirror Relocation Brackets

- > Brackets piggyback original door mirrors
- > Keeps you legal with full soft doors
- > Rich black powder-coating
- > Matching black hardware included
- > Adjustable door straps included!

Set for '97-'06 Wrangler #13025.0201 ... **\$39.99**



Mirrors Shown for '87-'02 Wrangler



Quadratec Replacement Mirrors

- > Direct bolt to any '88-'06 Wrangler
- > Designed to original equipment specifications
- > Available single replacements or as a pair
- > Includes pre-assembled arms, mounting brackets and hardware

Driver & Passenger Side Priced per mirror

For '88-'06 Wrangler Black #13111.03XX ... From **\$44.99 each***

For '88-'02 Wrangler Chrome #13111.030X ... **\$44.99 each***

Driver & Passenger Side Priced as a pair

For '88-'06 Wrangler Black #13111.03X0 ... From **\$79.99 each***

For '88-'02 Wrangler Chrome #13111.0300 ... **\$79.99 each***

*Fits '88-'06 Wrangler Half Doors, '94-'06 Wrangler Full Steel Doors



The Trusted Source

Introducing:

Quadratec

SUMMER ACCESSORIES

Bimini, Bimini Plus, Windstopper & Tonno Cover

- > Durable 23oz fabric
- > Simple, no-drill installation
- > Heavy-duty straps & buckles
- > Fits over factory softtop hardware
- > Color-matched to all accessories

For '87-'06 Wrangler YJ & TJ Vehicles:

Bimini Top #11022.0XXX ... from only \$39.99

Bimini Top Plus #11022.1XXX ... from \$64.99

Windshield Header Channel #11X2X.0X ... from \$14.99

Windstopper #11028.0XXX ... from \$59.99

Tonno Cover #11051.0XXX ... from \$59.99



Complete 4 Piece Kit:

Bimini Top, Windshield Channel, Windstopper and Tonno Cover for '87-'06 Wrangler #11022.9XXX ... from \$174.99



Due to the limitations of printing, all color samples shown in this catalog are close approximations only.



The Trusted Source

Quadratec Limited Warranty

for QuadraTop® Premium Replacement Soft Tops

Your QuadraTop Premium replacement soft top is covered by the following **Limited Warranty** provided exclusively by Quadratec, Inc. 1028 Saunders Lane, West Chester, PA 19380.

This **Limited Warranty** is the only warranty made in connection with purchase. Quadratec neither assumes nor authorizes any vendor, retailer or other person or entity to assume for it any other obligation or liability in connection with this product or **Limited Warranty**.

What is Covered:

Subject to the terms, exclusions and limitations herein and with respect only to soft tops first sold in the United States, Quadratec warrants to the initial retail purchaser only that your QuadraTop Premium soft top shall be free of defects in material and workmanship **for a period of 3 years from date of initial retail sale.**

All other warranties are hereby disclaimed, except to the extent prohibited by applicable law in which case any implied warranty of merchantability or fitness for a particular purpose on this product is limited to 3 years from date of initial retail sale. Quadratec reserves the rights to: (a.) require invoice or other proof your soft top is within the terms of this **Limited Warranty** as a condition of warranty service and, (b.) make future revisions to this product and **Limited Warranty** without prior notice or obligation to upgrade your soft top.

What is Not Covered:

Your Quadratec **Limited Warranty** does not cover products or parts Quadratec determines to have been damaged by or subjected to: (a.) installation damage, alteration, modification, failure to maintain or attempted repair or service by anyone not authorized by Quadratec, (b.) normal wear and tear, cosmetic damage or damage from water immersion, (c.) Acts of God, accidents, misuse, negligence, inadequate mounting or impact with vehicle(s), obstacles or other aspects of the environment, (d.) theft, vandalism or other intentional damage.

Remedy Limited to Repair/Replacement:

The exclusive remedy provided hereunder shall, upon Quadratec inspection and at Quadratec's option, be either repair or replacement of product or parts (new or refurbished) covered under this Limited Warranty. Customers requesting warranty consideration on QuadraTop Premium soft top should first contact Quadratec to obtain a RGA number (610-701-3336). All labor, removal, shipping and installation costs are customer's responsibility.

Other Limitations - Exclusion of Damages

- Your Rights Under State Law:

In consideration of the purchase price paid, neither Quadratec nor any independent Quadratec distributor/licensee are responsible for any time loss, rental costs, or for any incidental, consequential, punitive or other damages you may have or incur in connection with any part or product purchased. Your exclusive remedy hereunder for covered parts is repair/replacement as described above.

This **Limited Warranty** gives you specific rights. You may also have other rights that vary from state to state. For example, some states do not allow limitations of how long an implied warranty lasts and/or do not allow the exclusion or limitation of incidental or consequential damages, so the limitations and exclusions herein may not apply to you.

©Quadratec, Inc. 2013. All Rights Reserved.

Version 10.30.13 A4

The terms Quadratec®, Essentials® and Essential® are Registered Trademarks of Quadratec Inc. Registered in U.S. Patent and Trademark Office.

Instructions #12999.0217



The Trusted Source