

# QuadraTop® Fabric Replacement Soft Top

Installation Manual for '88-'95 Wrangler  
#11000.0XXX



## **⚠ WARNING ⚠**

Loss of vehicle control involves risk of death or serious injury, particularly to parts of your body not restrained within vehicle. This product is intended for weather protection only and should not be relied upon to contain occupants in the event of an accident or to protect from either ground contact or falling objects. To reduce risk of accident or injury:

- **ALWAYS WEAR SEATBELTS**
- Always keep head, arms & body parts within vehicle.
- Fully secure or stow the soft top before driving according to instructions. Never try to latch or fold soft top while driving. Do not use if damaged or worn.
- Read and follow all instructions & warnings accompanying this product, in your vehicle owner's manual and Off Road Driving Supplement.

## **⚠ CAUTION ⚠**

**RISK OF EYE INJURY.** Safety glasses should be worn at all times while installing or maintaining this product.

### **PARTS LIST:**

FABRIC TOP - QTY 1  
QUARTER WINDOW, RIGHT - QTY 1  
QUARTER WINDOW, LEFT - QTY 1  
REAR WINDOW - QTY 1  
UPPER DOOR SKIN, RIGHT - QTY 1\*  
UPPER DOOR SKIN, LEFT - QTY 1\*

\*WHERE APPLICABLE

### **REQUIRED TOOLS:**

SAFETY GLASSES  
SHOE HORN OR LARGE SPOON  
RAZOR KNIFE  
PHILLIPS SCREWDRIVER  
SOFT BEACH SIZE TOWEL



**The Trusted Source**

**Important Safety Information:**

Your QuadraTop® soft top is intended to increase the utility and enjoyment of your off-road capable vehicle. Before installation, please take a moment to review the following safety information

and installation instructions. Important safety information is generally preceded by one of three signal words indicating the relative risk of injury. The signal words mean:

<b>⚠ WARNING ⚠</b>	<b>a hazardous situation which, if not avoided, could result in death or serious injury. You CAN be KILLED or SERIOUSLY HURT if you don't follow instructions.</b>
<b>⚠ CAUTION ⚠</b>	<b>a hazardous situation which, if not avoided, could result in minor or moderate injury. You CAN be moderately HURT and also may suffer property damage if you don't follow instructions.</b>
<b>NOTICE</b>	<b>Careful attention is required to this instruction or operation but does generally not relate to personal injury. Damage to your Quadratec® product or other property may result if you don't follow instructions.</b>

**Before You Begin Soft Top Installation:**

Congratulations on your purchase of the QuadraTop! This high quality soft top is designed to provide years of protection from whatever nature can throw at you! We have used only the finest materials in creating this soft top but like any product that is exposed to the elements, there is some general maintenance that is required to keep your QuadraTop looking like new. Please see page 10 for these important maintenance tips as well as page 9 for available hardware components that may have been lost or worn over the years. Thank you again for your purchase and let's start the installation process!

When unpacking, check to make sure all parts are included. If any part is missing or broken, please call Quadratec Customer Service at 800-745-6037 as soon as possible.

**Important:** Make sure you become familiar with the installation process of this top by reading the following instruction sheet thoroughly.



Existing soft top hardware required to install this top. Does yours match?

**Important:** For a smooth fit and ease of installation, this top should be installed at temperatures above 72 degrees. Below this temperature, the fabric may contract an inch or more making it difficult to install. We highly recommend taking the top out of the package and letting it sit inside a warm place or in direct sun light for 1-2 hours before you install the top. When warm, this top will install quickly.

**Important:** Note that it is normal for the fabric and glass to contract and wrinkle when stored in the shipping carton. In a few days the fabric and glass will relax & wrinkles will disappear.



**The Trusted Source**

**Step One: Remove Existing Soft Top, Prepare and Inspect Hardware**

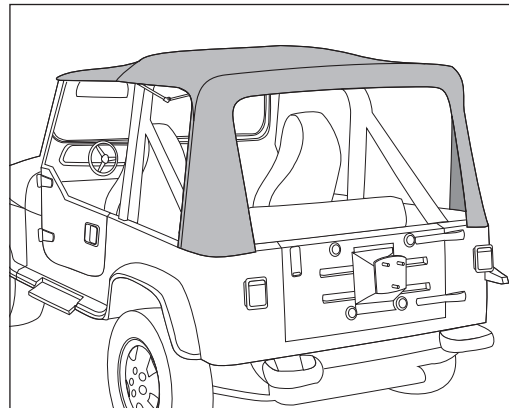
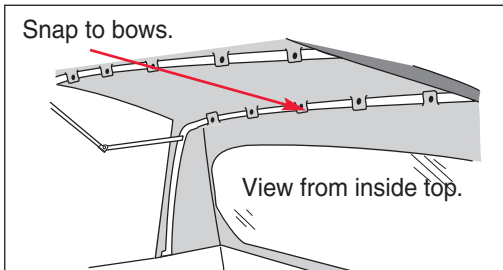
Before beginning your soft top installation, remove the old top fabric, the soft upper doors and make sure all hardware is in place and that the Drip Rails (over door hardware) are locked into the Windshield Frame. Inspect hardware to make sure it is not bent or missing any

components. Be sure to look at the windshield channel on the top of the windshield. If windshield channel or other top hardware is loose, missing or damaged, it **MUST** be replaced. See page 9 for replacement parts and consult [Quadratic.com](http://Quadratic.com) to purchase.

**Step Two: Soft Top Installation**

**PLACE TOP ON VEHICLE.**

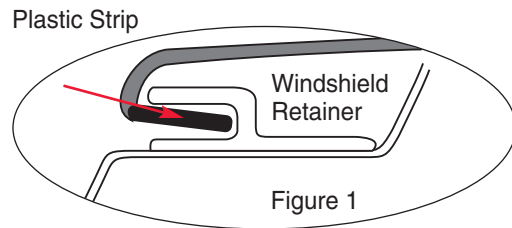
Locate the top and orient it on the vehicle. Snap it to the bows.



**Step Three: Soft Top Installation**

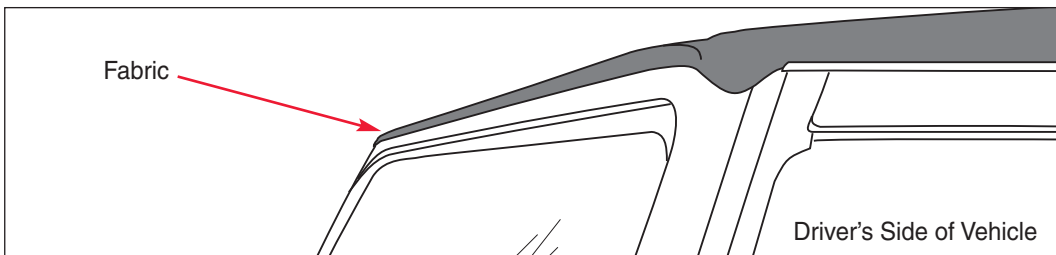
**INSTALL TOP IN WINDSHIELD RETAINER.**

Making sure the side spreader bars are released and the top is centered, insert front of top into windshield retainer. See figure 1. See notice, below.



**NOTICE**

Make sure existing windshield retainer is securely installed to windshield and is **NOT** loose. The "C" channel facing the front of vehicle must be at a ninety degree angle for the windshield header to be correctly installed. If retainer is loose or not at ninety degree angle you'll need to replace it. See page 9 for the replacement part number.

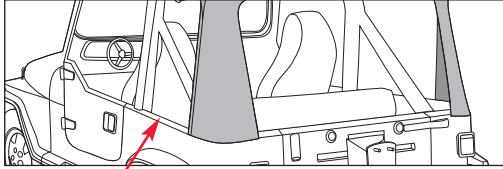


**The Trusted Source**

**Step Four: Soft Top Installation**

**SECURE FRONT BOW.**

On the bow assembly that supports the top near door openings, push the front support bow all the way forward into the notch. See figure 2.



Work here

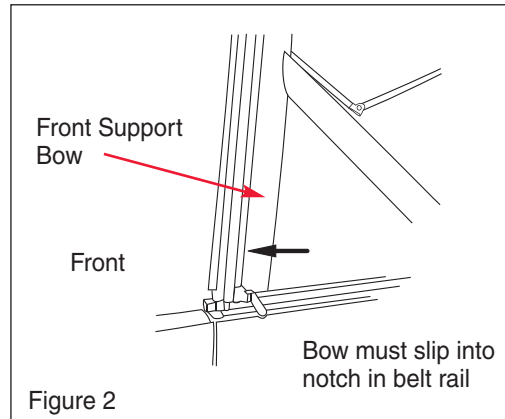
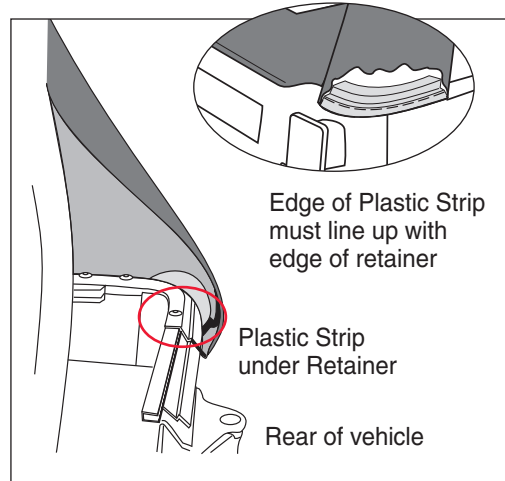
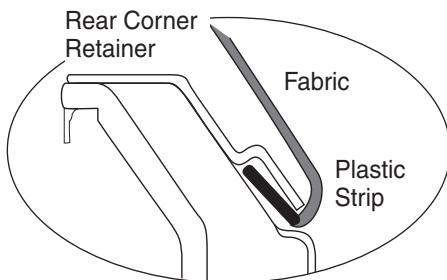


Figure 2

**Step Five: Soft Top Installation**

**INSTALL REAR CORNER.**

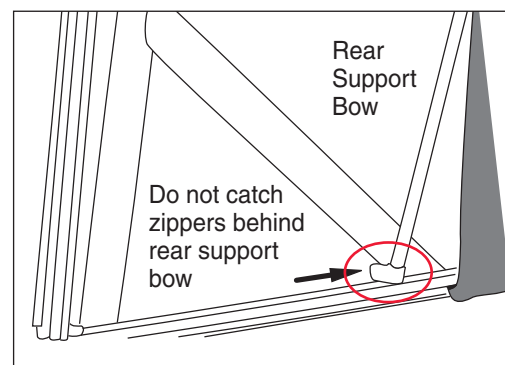
Insert rear corners of top into rear corner retainer. Make sure white/clear plastic is outside of the corner retainer.



**Step Six: Soft Top Installation**

**SECURE REAR BOW.**

Pull the bottom of the rear support bow back until it snaps into the notch in the side rail. Push bow back. Bow must slide into notch in belt.

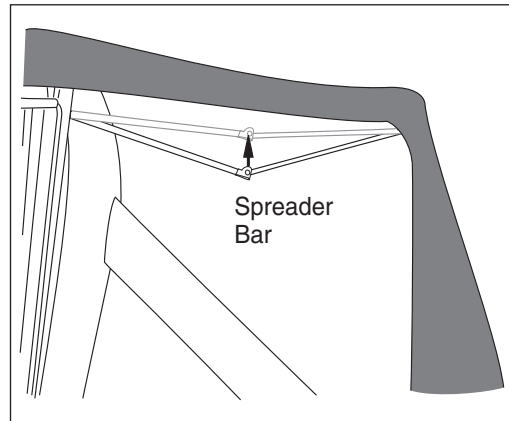
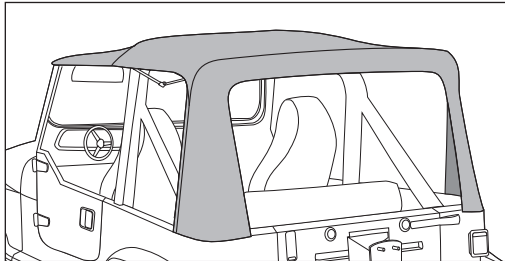


**The Trusted Source**

**Step Seven: Soft Top Installation**

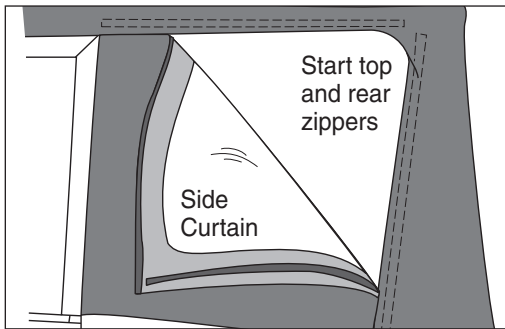
**LOCK SPREADER BAR.**

Push the spreader bars up until they snap into place.



**NOTICE**

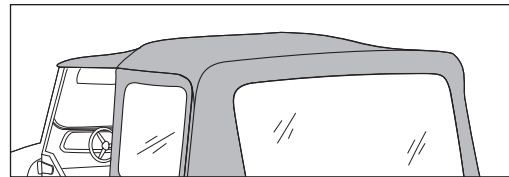
Double check the function of your spreader bars to make sure they lock in place. If they do not lock or are bent, the top will have a loose fit. See page 9 for replacement part numbers



**Step Eight: Soft Top Installation**

**START ZIPPERS.**

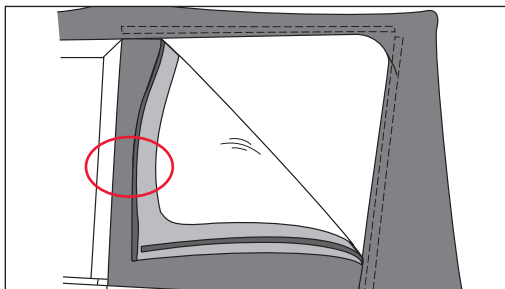
Start the zippers 2-3 inches on the top and rear of the side curtain.



**Step Nine: Soft Top Installation**

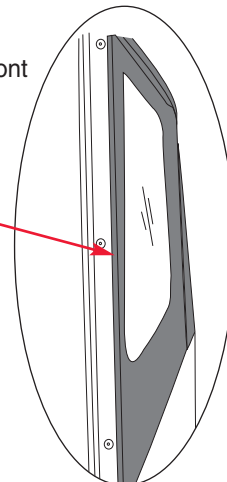
**SECURE FRONT OF SIDE CURTAIN.**

Pop the plastic strip on the front of the side curtain into the retainer channel on the front support bow.



View of Side Curtain from Front

Plastic Strip into Retainer Channel

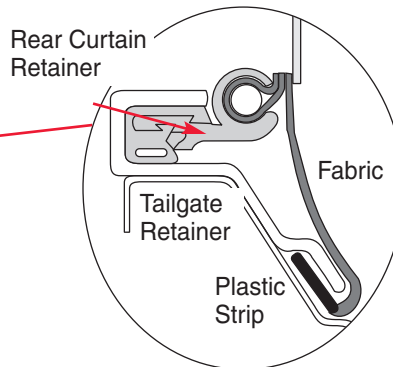
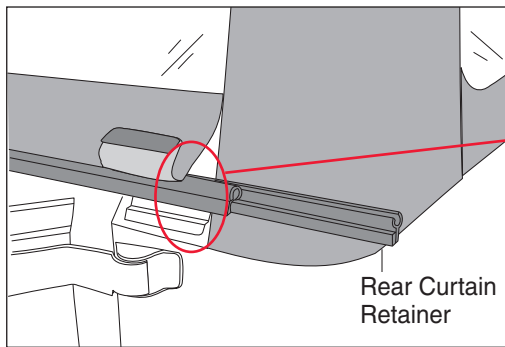
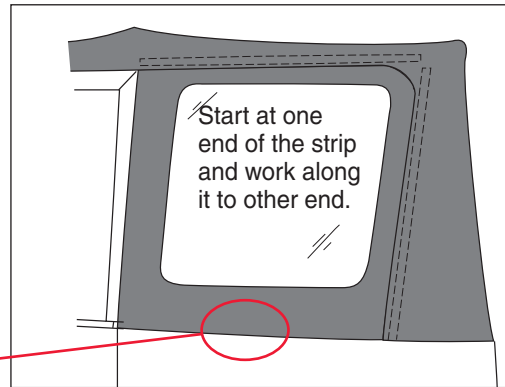
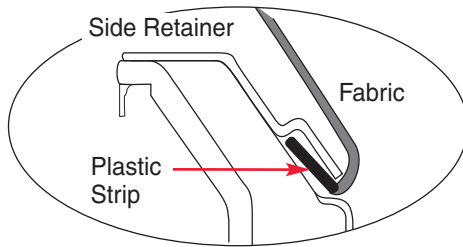


**The Trusted Source**

**Step Ten: Soft Top Installation**

**ON SIDE CURTAIN  
SECURE PLASTIC STRIP.**

Slip the plastic strip on the bottom of the side curtain into the side retainer. Close the top and rear zippers on the side curtain.

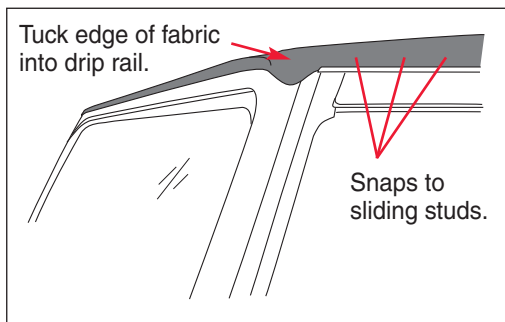


**Step Eleven: Soft Top Installation**

**INSTALL TAILGATE RETAINER.**

Open the tailgate. Slide the rear curtain retainer onto the bottom of the rear curtain. Close rear curtain zippers.

Push the rear curtain retainer into top of the tailgate retainer. Slip the plastic on the bottom of the corners under the bottom of the tailgate retainer.



**Step Twelve: Soft Top Installation**

**SNAP SNAPS ON THE TOP.**

Fasten snaps on top, above the doors to studs on vehicle. Studs will slide to match location of snaps on top.



**The Trusted Source**

### Step Thirteen: Door Cover Removal & Installation:

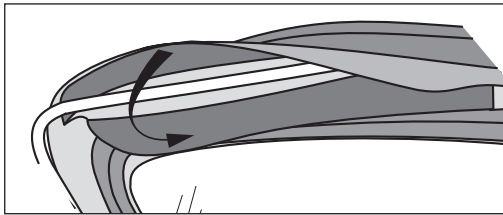
#### REMOVE OLD DOOR FABRIC

Remove the fabric upper doors from the vehicle. Use a razor knife to cut stitches

on old door covers and take them off of the door frames. Remove any jewelry that could scratch the new windows.

#### **⚠ WARNING ⚠**

**WHEN USING A RAZOR KNIFE, BE SURE TO KEEP HANDS AND FINGERS SAFELY AWAY FROM KNIFE BLADE. USE EXTREME CAUTION AS SERIOUS INJURY CAN OCCUR.**



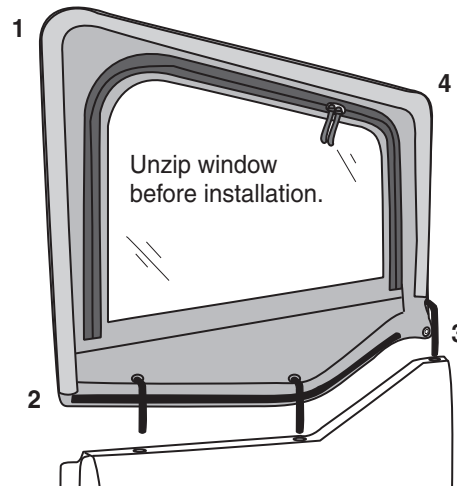
Door Frame between Hook and Loop Flaps.

1. Install Upper Rear Corner first
2. Install Lower Rear Corner next
3. Install Lower Front Corner
4. Install Upper Front Corner last

#### INSTALL NEW DOOR FABRIC

Unzip the windows and separate the hook and loop fasteners on the door covers. Lay the door cover on soft towel on a flat smooth surface with the outside facing down.

Start by working the upper rear corner of the door frame into the pocket of the cover. Then work the lower rear corner of the frame into the cover. Work the bottom front corner of the frame into the corner of the cover, between the hook and loop flaps (not between the zipper and the flap). Finally, work the last corner of the frame into the corner



of the door cover, again between the hook and loop flaps. Make sure that the top edge of the door cover is straight along the top of the door frame. Work around the door fastening the hook and loop strips tightly around the door frame.

Once the door cover is on the frame, the tab in the top rear corner of the cover may be cut off with a pair of scissors if desired.

#### **NOTICE**

**Door covers are designed to fit very tight on the door frame. We recommended using a shoe horn or large spoon to help work the corners of the cover over the frame without tearing the fabric.**

**Do not pull on weatherstrip to assist in getting the door cover on door frame. This will tear weatherstrip and door will not seal properly.**



**The Trusted Source**

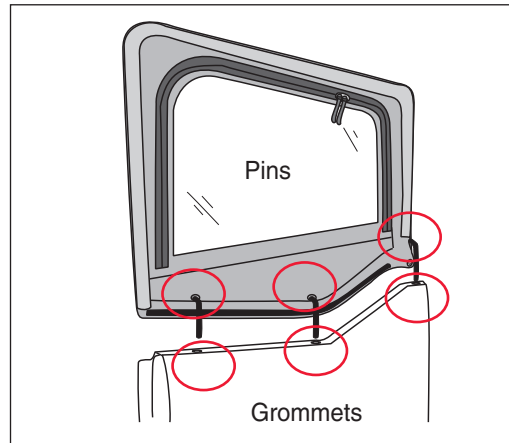
**Step Fourteen:  
Reinstall Doors on Vehicle**

**INSTALL UPPER DOORS.**

Reinstall the upper doors. Insert the pins into the door grommets in the lower half door. These door grommets often go missing or need replacement.



Door Grommets  
in factory match  
colors #11145.9XX



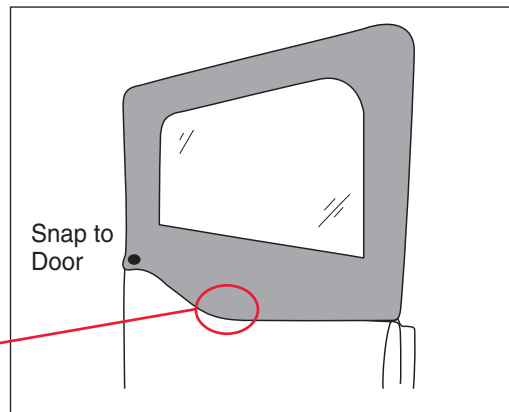
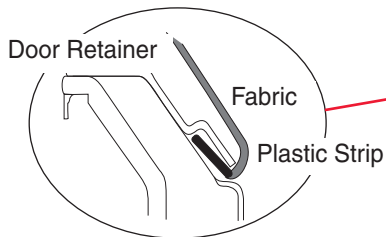
**NOTICE**

Make sure the door grommets are in the door and functioning properly. If they are missing or damaged, the door will not fit properly. See page 9 for replacement part numbers for door grommets.

**Step Fifteen:  
Reinstall Doors on Vehicle**

**SECURE UPPER DOORS.**

Fasten the snap at front of upper door. Slip plastic strip on the bottom of the soft door into the retainer on the half steel door.



**The Trusted Source**



**Replacement Hardware  
and Soft Top Accessories:**

Now that you have reviewed this set of instructions, and looked at your original equipment hardware, you may have noticed that some of your original top hardware is missing or damaged.

Quadratec offers a full assortment of original equipment hardware and stor-

age solutions to keep your top looking new and performing at its peak. The following parts and current pricing are available at **Quadratec.com**

Don't see what you need here? Call us for Expert Advice at **800-745-5337**

Complete Bow Assemblies: #11132.95XX




Windshield Retainer:  
#11020.00



Upper Door  
Frame Pairs:  
#11033.11





Soft Top  
Storage Bag:  
#91109.01

Door Grommets  
in factory match  
colors:  
#11145.9XX



Soft Top  
Cleaner and  
Protectant  
and Window  
Cleaner:  
#91083.XXXX

Replacement  
Spreader Bars:  
#11033.0XXX

Zipper Cleaner  
and Lubricant:  
#91183.11XX



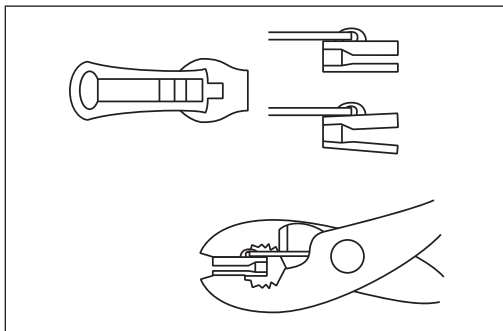

**The Trusted Source**

### Care and Maintenance:

Your QuadraTop is made of the finest materials available but to keep it looking new and for the maximum possible wear, it will need periodic cleaning and basic maintenance. The main threats to your soft top are pollutants, dirt and grime. By keeping your soft top clean you will prolong the life of your top. We recommend the following to keep your top like new:

**Washing:** The soft top fabric should be washed often using a mild soap, warm water and a soft bristle brush (do not use the brush on the window glass!). You can also use special soft top cleaners available on our website and shown on page 9. Make sure that after cleaning you rinse with clear water to remove all traces of soap.

**Zippers:** Keeping the zipper cleaned and lubricated with a silicone lubricant (see Page 9) will help prevent damage and keep the zippers in a smooth working condition. If zipper opens behind the slider, the slider may have been spread apart. This problem can usually be fixed



by using an ordinary pair of pliers to bring the sides back into parallel. Return slider to the end of the zipper in the normal Open position. Squeeze lightly at

first and test zipper. If the zipper continues to remain open squeeze more firmly with pliers and try the zipper again. Repeat procedure until your zipper operates correctly.

**Windows:** It is very important that you keep your QuadraTop windows clean! Use a mild soap and water solution to gently clean your windows. NEVER wipe your windows clean with a dry cloth! Dust and dirt on a dry cloth can scratch your windows causing “fogging” and permanent damage. When removing your windows, store them with a towel between the panels/rear windows to protect them from damage. If frost or ice forms on the outside of your windows during the winter, DO NOT use an ice scraper to remove this frost. Over time you will see small micro scratches in your windows which are natural wear and tear. These Micro scratches can be “polished” out using the window polish listed on page 9 (Available at Quadratec.com).

**Water/Fabric:** In the event of seeping through the seams, 3M Scotchgard® may be applied on the inside of the seams to stop the see. Rips in the fabric may be repaired with Bondex® iron on patches. Iron the patches to the Inside of the top, carefully following the Bondex® instructions.

**Snaps:** Keep snaps cleaned and lubricated with silicone to help prevent snaps from sticking to the studs. If a snap does become stuck to a stud, use a screwdriver and GENTLY pry apart to prevent permanent damage to the snap or the top fabric.



**The Trusted Source**

Introducing:

# Quadratec

SUMMER ACCESSORIES

## Bimini, Bimini Plus, Windstopper & Tonno Cover

- > Durable 23oz fabric
- > Simple, no-drill installation
- > Heavy-duty straps & buckles
- > Fits over factory softtop hardware
- > Color-matched to all accessories

For '87-'06 Wrangler YJ & TJ Vehicles:

Bimini Top #11022.0XXX ... from only \$39.99

Bimini Top Plus #11022.1XXX ... from \$64.99

Windshield Header Channel #11X2X.0X ... from \$14.99

Windstopper #11028.0XXX ... from \$59.99

Tonno Cover #11051.0XXX ... from \$59.99



### Complete 4 Piece Kit:

Bimini Top, Windshield Channel, Windstopper and Tonno Cover for '87-'06 Wrangler #11022.9XXX ... from \$174.99



Due to the limitations of printing, all color samples shown in this catalog are close approximations only.



The Trusted Source

# Quadratec Limited Warranty

## for QuadraTop® Replacement Soft Tops

Your QuadraTop replacement soft top is covered by the following **Limited Warranty** provided exclusively by Quadratec, Inc. 1028 Saunders Lane, West Chester, PA 19380.

This **Limited Warranty** is the only warranty made in connection with purchase. Quadratec neither assumes nor authorizes any vendor, retailer or other person or entity to assume for it any other obligation or liability in connection with this product or **Limited Warranty**.

### **What is Covered:**

Subject to the terms, exclusions and limitations herein and with respect only to soft tops first sold in the United States, Quadratec warrants to the initial retail purchaser only that your QuadraTop soft top shall be free of defects in material and workmanship **for a period of 3 years from date of initial retail sale**.

All other warranties are hereby disclaimed, except to the extent prohibited by applicable law in which case any implied warranty of merchantability or fitness for a particular purpose on this product is limited to 3 years from date of initial retail sale. Quadratec reserves the rights to: (a.) require invoice or other proof your soft top is within the terms of this **Limited Warranty** as a condition of warranty service and, (b.) make future revisions to this product and **Limited Warranty** without prior notice or obligation to upgrade your soft top.

### **What is Not Covered:**

Your Quadratec **Limited Warranty** does not cover products or parts Quadratec determines to have been damaged by or subjected to: (a.) installation damage, alteration, modification, failure to maintain or attempted repair or service by anyone not authorized by Quadratec, (b.) normal wear and tear, cosmetic damage or damage from water immersion, (c.) Acts of God, accidents, misuse, negligence, inadequate mounting or impact with vehicle(s), obstacles or other aspects of the environment, (d.) theft, vandalism or other intentional damage.

### **Remedy Limited to Repair/Replacement:**

**The exclusive remedy provided hereunder shall, upon Quadratec inspection and at Quadratec's option, be either repair or replacement of product or parts (new or refurbished) covered under this Limited Warranty.** Customers requesting warranty consideration on QuadraTop soft top should first contact Quadratec to obtain a RGA number (610-701-3336). All labor, removal, shipping and installation costs are customer's responsibility.

### **Other Limitations - Exclusion of Damages**

#### **- Your Rights Under State Law:**

In consideration of the purchase price paid, neither Quadratec nor any independent Quadratec distributor/licensee are responsible for any time loss, rental costs, or for any incidental, consequential, punitive or other damages you may have or incur in connection with any part or product purchased. Your exclusive remedy hereunder for covered parts is repair/replacement as described above.

This **Limited Warranty** gives you specific rights. You may also have other rights that vary from state to state. For example, some states do not allow limitations of how long an implied warranty lasts and/or do not allow the exclusion or limitation of incidental or consequential damages, so the limitations and exclusions herein may not apply to you.

©Quadratec, Inc. 2013. All Rights Reserved.

Version 10.31.13 A4

The terms Quadratec®, Essentials® and Essential® are Registered Trademarks of Quadratec Inc. Registered in U.S. Patent and Trademark Office.

Part #12999.0211



**The Trusted Source**