

QuadraTop[®] Premium Fabric Replacement Soft Top

Installation Manual for '07-'09 4 Door (JK) Wrangler #11000.2535



⚠ WARNING ⚠

Loss of vehicle control involves risk of death or serious injury, particularly to parts of your body not restrained within vehicle. This product is intended for weather protection only and should not be relied upon to contain occupants in the event of an accident or to protect from either ground contact or falling objects. To reduce risk of accident or injury:

- **ALWAYS WEAR SEATBELTS**
- Always keep head, arms & body parts within vehicle.
- Fully secure or stow the soft top before driving according to instructions. Never try to latch or fold soft top while driving. Do not use if damaged or worn.
- Read and follow all instructions & warnings accompanying this product, in your vehicle owner's manual and Off Road Driving Supplement.

⚠ CAUTION ⚠

RISK OF EYE INJURY. Safety glasses should be worn at all times while installing or maintaining this product.

PARTS LIST:

FABRIC TOP - QTY 1
QUARTER WINDOWS (L&R) - QTY 2
REAR WINDOW - QTY 1
ELASTIC GARTERS - QTY 2

REQUIRED TOOLS:

SAFETY GLASSES
PHILLIPS SCREWDRIVER
MASKING TAPE



The Trusted Source

Important Safety Information:

Your QuadraTop® Premium soft top is intended to increase the utility and enjoyment of your off-road capable vehicle. Before installation, please take a moment to review the following safety

information and installation instructions. Important safety information is generally preceded by one of three signal words indicating the relative risk of injury.

The signal words mean:

⚠ WARNING ⚠

a hazardous situation which, if not avoided, could result in death or serious injury. You CAN be KILLED or SERIOUSLY HURT if you don't follow instructions.

⚠ CAUTION ⚠

a hazardous situation which, if not avoided, could result in minor or moderate injury. You CAN be moderately HURT and also may suffer property damage if you don't follow instructions.

NOTICE

Careful attention is required to this instruction or operation but does generally not relate to personal injury. Damage to your Quadratec® product or other property may result if you don't follow instructions.

Before You Begin Soft Top Installation:

Congratulations on your purchase of the QuadraTop! This high quality soft top is designed to provide years of protection from whatever nature can throw at you! We have used only the finest materials in creating this soft top but like any product that is exposed to the elements, there is some general maintenance that is required to keep your QuadraTop looking like new. Please see page 12 for these important maintenance tips as well as page 11 for available hardware components that may have been lost or worn over the years. Thank you again for your purchase and let's start the installation process!

When unpacking, check to make sure all parts are included. If any part is missing or broken, please call Quadratec Customer Service at 800-745-6037 as soon as possible.

Important: Make sure you become familiar with the installation process of this top by reading the following instruction sheet thoroughly.



Existing soft top hardware required to install this top. Does yours match?

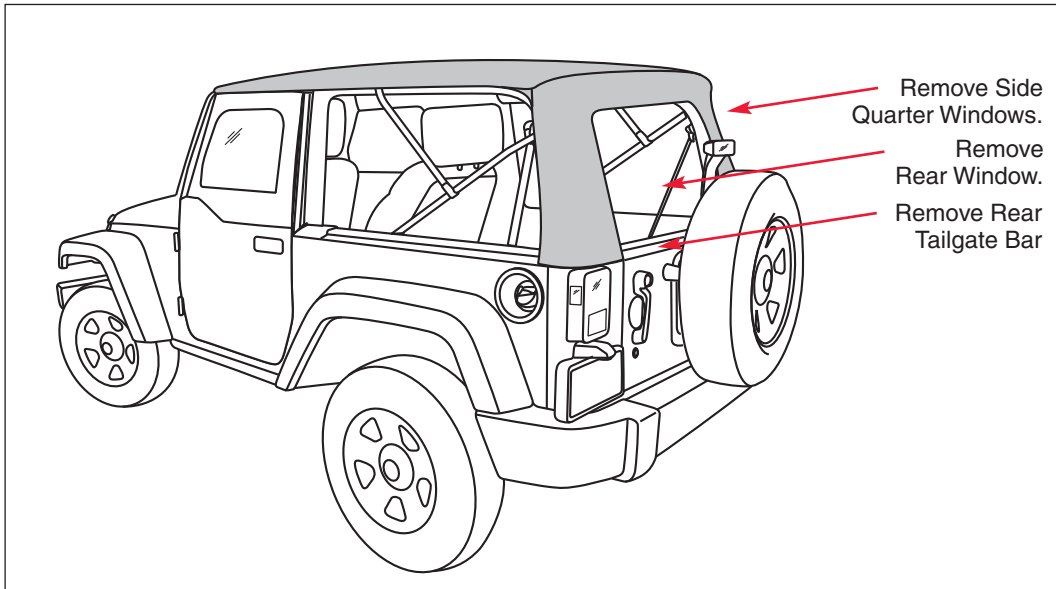
Important: For a smooth fit and ease of installation, this top should be installed at temperatures above 72 degrees. Below this temperature, the fabric may contract an inch or more making it difficult to install. We highly recommend taking the top out of the package and letting it sit inside a warm place or in direct sun light for 1-2 hours before you install the top. When warm, this top will install quickly.

Important: Note that it is normal for the fabric and glass to contract and wrinkle when stored in the shipping carton. In a few days the fabric and glass will relax & wrinkles will disappear.



The Trusted Source

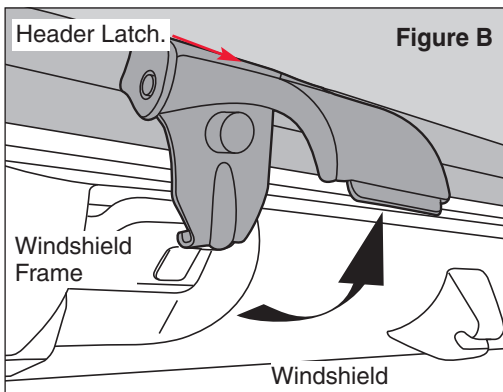
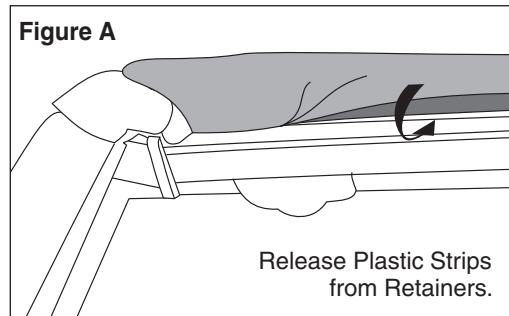
Step One: Soft Top Removal



REMOVE THE SIDE QUARTER WINDOWS AND REAR WINDOW

Remove the Quarter Windows and the Rear Window. Remove the metal Tailgate Bar from the bottom of the Rear Window and set it aside.

Figure A: Release the plastic strip sewn to the top above doors. Pull down and out to slip the plastic out of the channel.



Step Two: Soft Top Removal

RELEASE WINDSHIELD LATCHES

Release latch that secures the header to the windshield. Pull up on the lever and then down and out to release the hook from the slot in the windshield frame.

Figure B Pull Up Lever and Release Hook from Slot in Windshield.

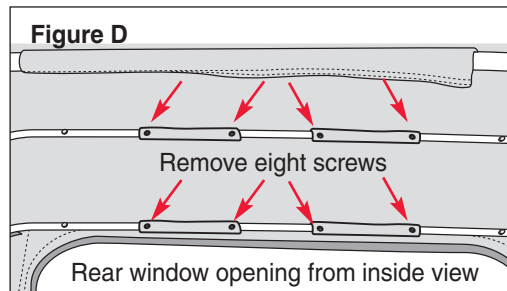
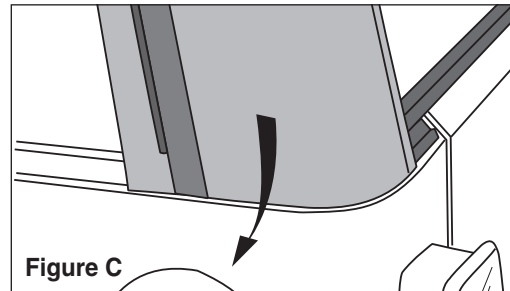


The Trusted Source

Step Three: Soft Top Removal

RELEASE REAR CORNERS

Release the rear corners of the top. Pull gently down and then out to release the plastic strip from the retainer on the vehicle. See figure C.



Step Four: Soft Top Removal

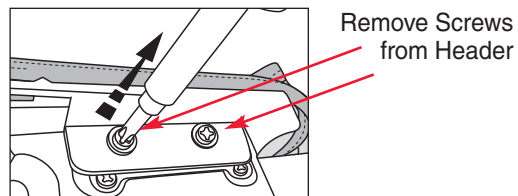
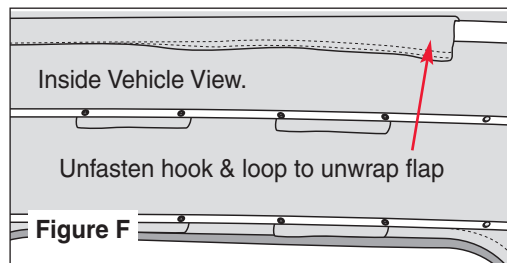
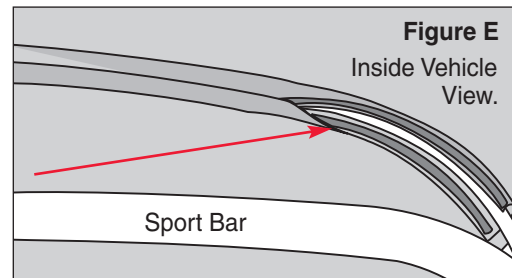
RELEASE REAR 2 BOWS

As shown in figure D, use a phillips screwdriver to remove the eight screws that attach the flap in the top to the rear bow. Set the screws aside to be reused later. Allow the bow to drop onto the tailgate.

Step Five: Soft Top Removal

UNFASTEN CENTER BOW

As shown in Figures E & F, Unfasten the Hook and Loop flaps around the Bows on each side of the sport bar.



Step Six: Soft Top Removal

REMOVE HEADER SCREWS

Collapse the bow assembly down onto the tailgate to access the header. Remove the two screws that secure the fabric to the header.

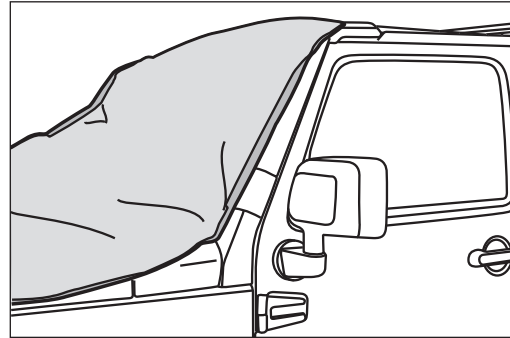


The Trusted Source

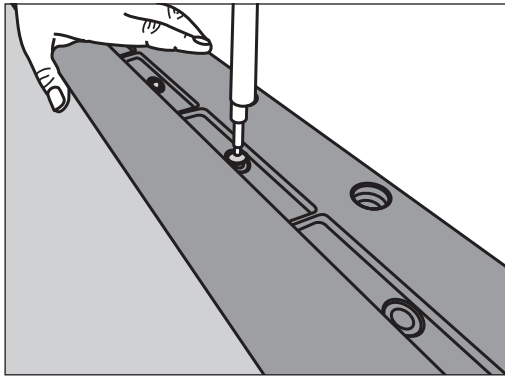
Step Seven: Soft Top Removal

REMOVE TOP FABRIC

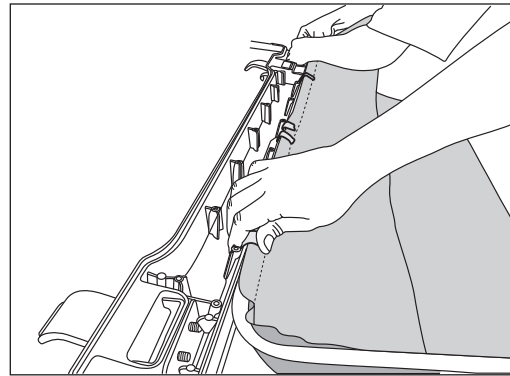
Raise the bow assembly and lock the header to the windshield. Drape the top fabric, backing side up, over the hood and windshield. Remove the nineteen (19) screws that secure the fabric to the upper and lower headers. Set the screws aside for use in installing the new top. Slide the extrusion along the front edge of the top out of the channel in the lower header and remove the old top from the vehicle.



Above: Top Fabric with backing side up.



Above: Remove screws (19) across header.



Above: Slide Extrusion along the front Edge of the Channel to remove Top.

Important Note:

At this point of the instructions you have successfully removed your old fabric top from the factory bow assembly. Please inspect all hardware before moving on to the installation of your new QuadraTop Fabric Replacement Soft

Top. If any of your factory hardware is damaged, view our list of replacement parts on page 11 before installing your new QuadraTop. If all your hardware is in good condition, proceed to Page 6 for the installation your new fabric top.



The Trusted Source

Step One: Soft Top Installation

INSTALL TOP FABRIC

Raise the bow assembly and lock the header to the windshield. As seen in Figure G, Drape the top fabric, backing side up, over the hood & windshield.

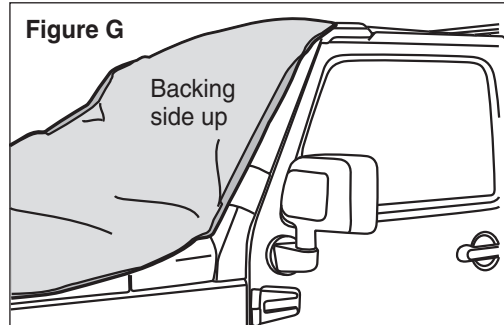
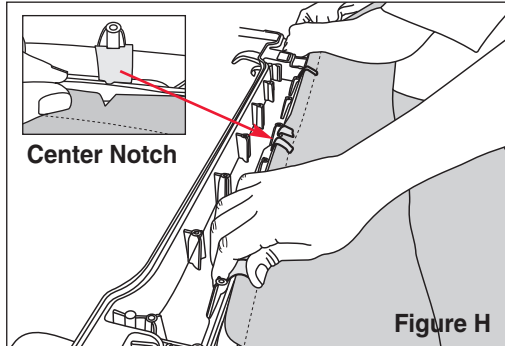
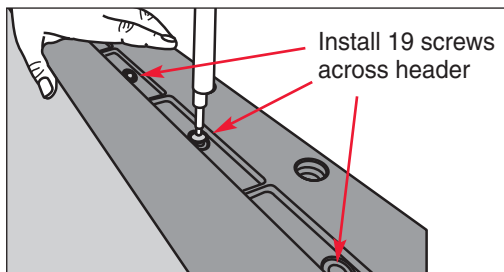
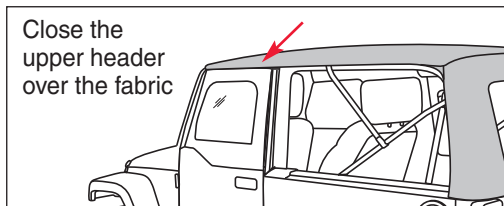


Figure H: Slide the extrusion along front edge of the top into the channel in the lower header. Line up center notch in the fabric with center notch in the header. Use masking tape to help hold fabric in place along the lower header.

NOTICE

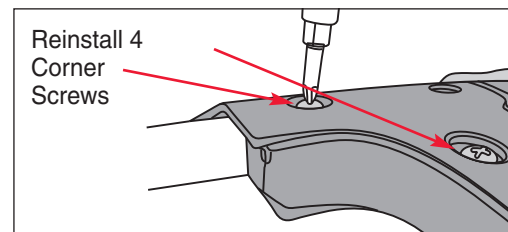
Quadratec Premium fabric is thicker and heavier than normal soft top fabric. For ease of installation it must be warm before attempting to install over your hardware.



Step Two: Soft Top Installation

INSTALL TOP FABRIC

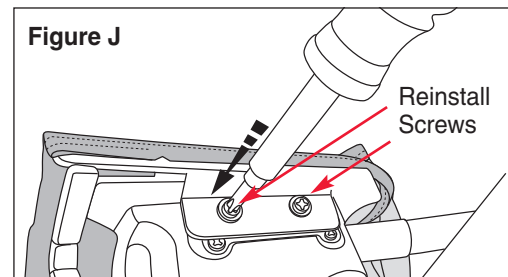
Close the upper header over the fabric, sandwiching the fabric, but leaving it facing up on the hood. Reinstall four (4) corner screws. Then install the nineteen (19) screws across the header. Lower the bow assembly to the rear of the vehicle.



Step Three: Soft Top Installation

INSTALL CORNER SCREWS

Wrap the fabric around the header and raise the header slightly to work the pockets in the fabric over the corners of header. Figure J: Install screws removed in disassembly in each corner to secure the fabric to the header. Fold top over towards rear of vehicle.

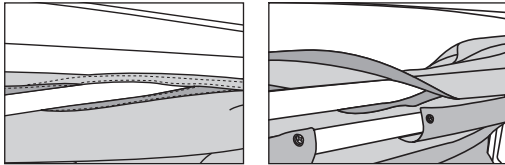
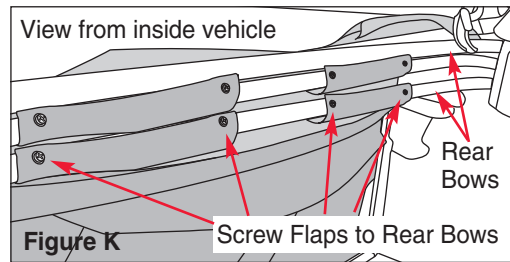


The Trusted Source

Step Four: Soft Top Installation

ATTACH TOP TO REAR 2 BOWS

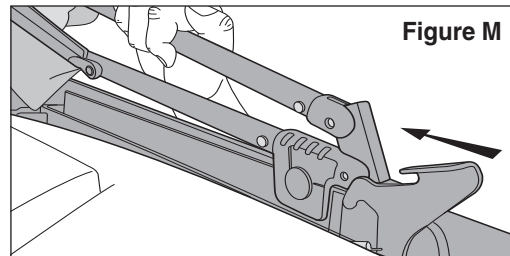
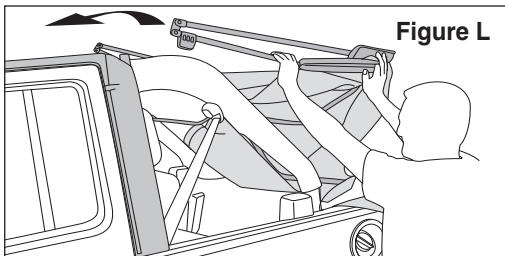
Raise the header and bow slightly to allow you to attach the rear bow flaps, that are inside the top above the rear window opening, to the rear bow. Use (8) screws that were removed in disassembly to secure flaps to bow. (Figure K)



Step Five: Soft Top Installation

SECURE CENTER BOWS

As shown at left, Wrap the hook and loop flaps around the two Bows in the center of the top.



Step Six: Soft Top Installation

INSTALL & SECURE BOW ASSEMBLY

As seen in figure L: Open Top Assembly and drape it over the cab of the vehicle.

Figure M: Slide the Pivot Assembly on the Top along the track above the door until it latches into place.

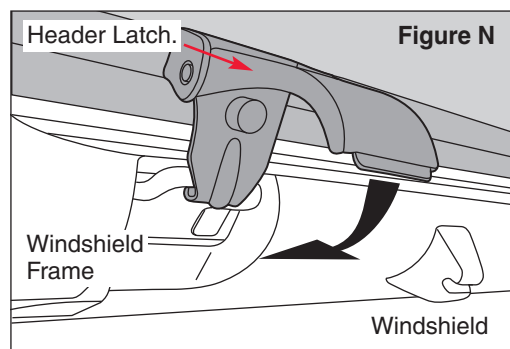
CAUTION

Leading edge of top must be secured to prevent loss of top at speed, folding or damage. Latches must be fully closed and free of mud or other contamination. Do not use top if either latch is damaged.

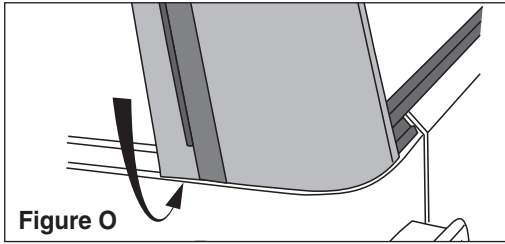
Step Seven: Soft Top Installation

SECURE HEADER TO WINDSHIELD

Figure N: Close the header latches to secure the front of the top to the windshield. Catch the hook in the loop in the windshield frame and then close the lever over it so it lays flat against the windshield frame.



The Trusted Source



Step Eight: Soft Top Installation

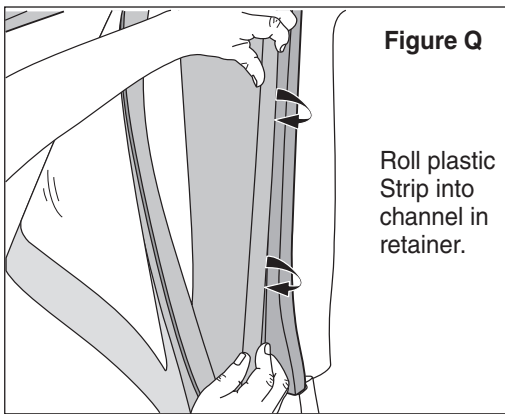
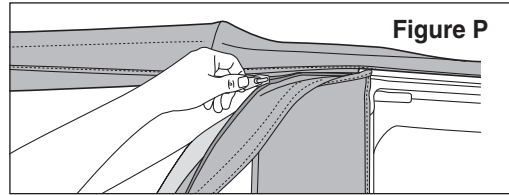
SECURE REAR CORNERS

Figure O: Pull down gently on the Rear Bow and work the plastic sewn to the rear corners of the top into the retainer on the vehicle.

Step Nine: Soft Top Installation

ATTACH QUARTER WINDOW ZIPPERS

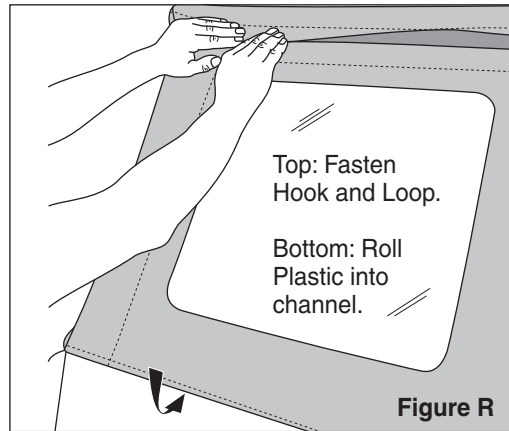
Figure P: Start the zipper on the Quarter Window and close it to 1-2 inches.



Step Ten: Soft Top Installation

SECURE FRONT OF QUARTER PANELS

See Figure Q: Roll the plastic strip along the front of the Quarter Window into the channel in the Door Surround.



Step Eleven: Soft Top Installation

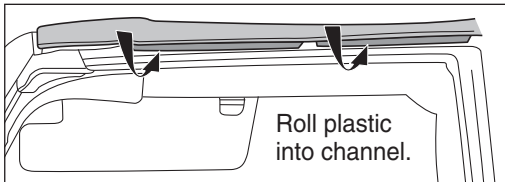
SECURE QUARTER WINDOWS

Close the zipper and slip the plastic along the bottom of the Side Window into the channel on the vehicle. Fasten the hook and loop strip above the window to the top. See Figure R.

Step Twelve: Soft Top Installation

SECURE ABOVE DOOR OPENINGS

Slip the plastic strips above the doors into the channel on the vehicle.

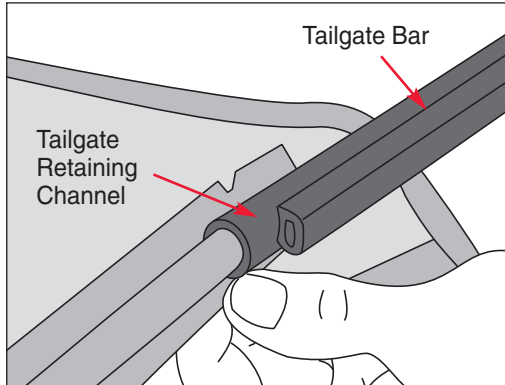
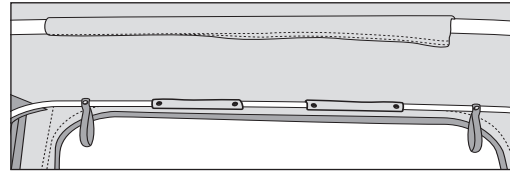


The Trusted Source

Step Thirteen: Soft Top Installation

INSTALL ELASTIC GARTERS

Snap the Elastic Garters to snaps on the Rear Bow above rear window opening.



Step Fourteen: Soft Top Installation

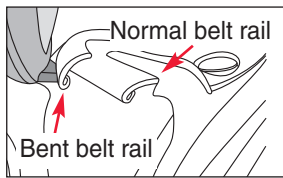
INSTALL TAILGATE BAR ON REAR WINDOW

Remove the Rear Window from the box and lay it flat with the backing side up. Locate the Tailgate Bar set aside in Step One. The bar has a "C" shaped channel, when viewed from the end. Orient the bar with the round seal down and slide the "C" channel on the retainer onto the tubed strip sewn to the backing side of the rear window.

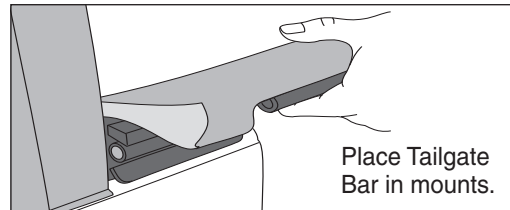
Step Fifteen: Soft Top Installation

INSTALL TAILGATE BAR ON VEHICLE

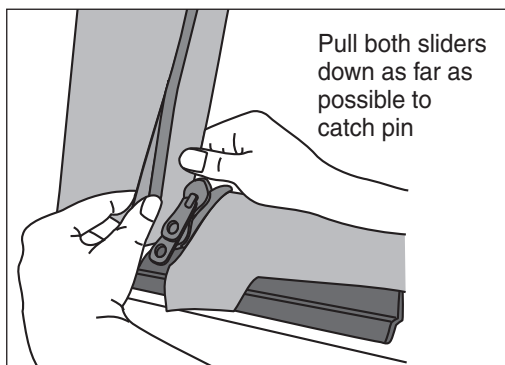
Before installing the tailgate bar to your Jeep, please examine the belt rail next to the rear tailgate opening. This belt can be accidentally bent upwards over time



so you may need to gently press the belt rail back down to achieve a proper seal.



Insert the Tailgate Bar into the mounts on each side of the tailgate opening with the vinyl side of the Rear Window toward the outside of the vehicle.



Step Sixteen: Soft Top Installation

SECURE REAR WINDOW ZIPPERS

To start the zipper, pull the two sliders as far down as possible on the driver's side of the window in order to catch the sliders to the pin. Once the zipper is caught, start the top slider 1/2".

Continued on next page...

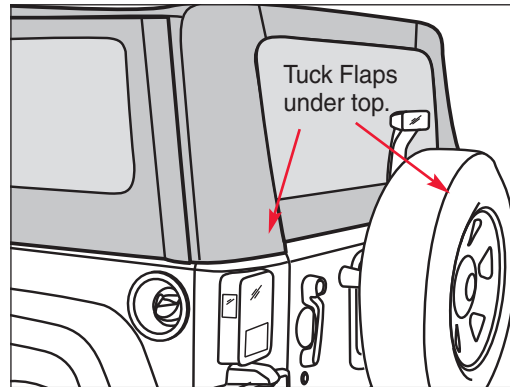


The Trusted Source

Step Sixteen: Soft Top Installation

SECURE REAR WINDOW ZIPPERS

Continued: Hold up the top of the window with one hand and close zipper with the other. Zipper is sandwiched between layers of fabric in the corners so be careful not to catch extra fabric in the zipper. Close the zipper. Make sure that the Tailgate Bar is centered and is securely in the mounts. Then tuck the flaps on the Rear Window under the top fabric. **Installation is now complete.**



NOTICE

Before rolling up the rear window, make sure glass is clean. Dirt and debris can cause scratches when rolled up.

Folding The Top Down:

REMOVE QUARTER PANELS AND REAR WINDOW

To remove the Quarter Windows, unzip the rear and top zippers. Release the plastic strip from the retainer. Release the Hook and Loop Fasteners from around the vertical retainer. To roll up

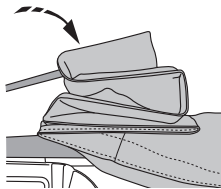
the Rear Window, remove the Tailgate Bar and open the zippers on each side of the window to the top. Start at the bottom and roll the window to the inside. Avoid wrinkles in the fabric and window. Secure it in place with the elastic garters inside of the top.

⚠ WARNING ⚠

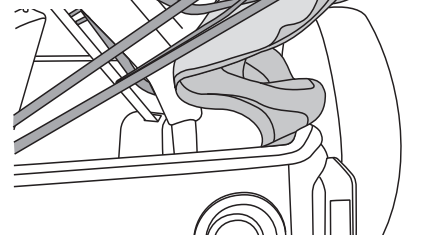
WHEN OPERATING VEHICLE WITHOUT THE QUARTER WINDOWS, THE REAR WINDOW SHOULD BE ROLLED UP AND SECURED WITH THE ELASTIC GARTERS FOR PROPER VENTILATION.

COLLAPSE TOP

Release the front of the top from the windshield. Raise the front of the deck and collapse the rear bows, tucking the two plastic strips above the door openings and the stay pad on the rear bow inside of the bows. Wrap the fabric around the bows, then tuck the rear legs of the top under the bows. When top is collapsed, tuck all fabric safely inside the vehicle.



Collapse bows and fold toward rear. Tuck plastic strips and stay pad inside bows.



The Trusted Source

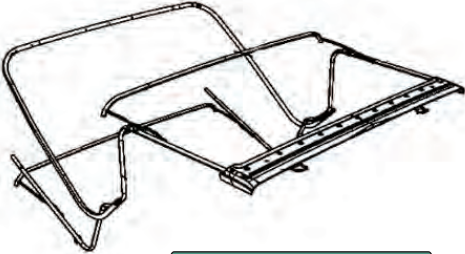

**Replacement Hardware
and Soft Top Accessories:**

Now that you have reviewed this set of instructions, and looked at your original equipment hardware, you may have noticed that some of your original top hardware is missing or damaged. Quadratec offers a full assortment of original equipment hardware and stor-

age solutions to keep your top looking new and performing at its peak. The following parts and current pricing are available at **Quadratec.com**

Don't see what you need here? Call us for Expert Advice at **800-745-5337**

Top Hardware Piece Parts:
Mopar® OEM Replacement Components


Door Surrounds
with Tailgate Bar:
#11132.9540



Soft Top
Storage Bag:
#91109.1102

Quick Release
Bow Knuckles:
#11033.002




Windshield
Header
Channels:
#11122.102
and
#11120.10

Soft Top
Cleaner and
Protectant
and Window
Cleaner:
#91083.XXXX



Zipper Cleaner
and Lubricant:
#91183.11XX




The Trusted Source

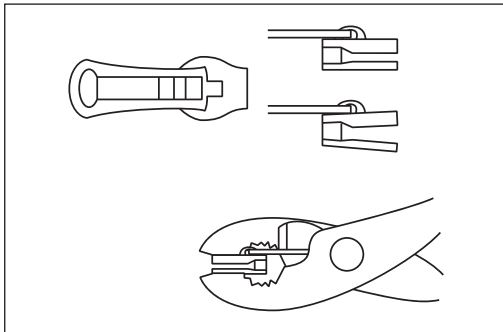
Care and Maintenance:

Your QuadraTop Premium is made of the finest materials available but to keep it looking new and for the maximum possible wear, it will need periodic cleaning and basic maintenance. The main threats to your soft top are pollutants, dirt and grime. By keeping your soft top clean you will prolong the life of your top.

We recommend the following to keep your top like new:

Washing: The soft top fabric should be washed often using a mild soap, warm water and a soft bristle brush (do not use the brush on the window glass!). You can also use special soft top cleaners available on our website and shown on page 11. Make sure that after cleaning you rinse with clear water to remove all traces of soap.

Zippers: Keeping the zipper cleaned and lubricated with a silicone lubricant (see Page 11) will help prevent damage and keep the zippers in a smooth working condition. If zipper opens behind the slider, the slider may have been spread



apart. This problem can usually be fixed by using an ordinary pair of pliers to bring the sides back into parallel. Return slider to the end of the zipper in the nor-

mal Open position. Squeeze lightly at first and test zipper. If the zipper continues to remain open squeeze more firmly with pliers and try the zipper again. Repeat procedure until your zipper operates correctly.

Windows: It is very important that you keep your QuadraTop Premium windows clean! Use a mild soap and water solution to gently clean your windows. NEVER wipe your windows clean with a dry cloth! Dust and dirt on a dry cloth can scratch your windows causing "fogging" and permanent damage. When removing your windows, store them with a towel between the panels/rear windows to protect them from damage. If frost or ice forms on the outside of your windows during the winter, DO NOT use an ice scraper to remove this frost. Over time you will see small micro scratches in your windows which are natural wear and tear. These Micro scratches can be "polished" out using the window polish listed on page 11 (Available at Quadratec.com).

Water/Fabric: In the event of seeping through the seams, 3M Scotchgard® may be applied on the inside of the seams to stop the see. Rips in the fabric may be repaired with Bondex® iron on patches. Iron the patches to the Inside of the top, carefully following the Bondex® instructions.

Snaps: Keep snaps cleaned and lubricated with silicone to help prevent snaps from sticking to the studs. If a snap does become stuck to a stud, use a screwdriver and GENTLY pry apart to prevent permanent damage to the snap or the top fabric.



The Trusted Source

Other Related Parts and Accessories:



HOT! Quadravec Logo Grab Handles

- > Convenient handles for getting in & out
- > Great way to hang on during open air driving
- > Neoprene Wrapped w/Custom Quadravec logo
- > Attach easily with hook & loop fasteners
- > Choose Black or Red

3" Quadravec Neoprene Wrapped Deluxe Sport Handles

Sold in Pairs #14018.7X **only ... \$19.99**

Choose Black or Red

Highrock 4x4 Element Doors and Mirror Combo

- > 1.25" Diameter Tube doors for the Trail
- > No drilling to install: on or off in minutes
- > Stay safe & legal with 4x4 mirrors
- > Check online for latest price

Element Doors with

HighRock 4x4 Mirror Combo

For '97-'06 Wrangler #13011.0392

QuadraPac prices save you money!

Go online or call for latest price



HighRock 4x4 Mirrors
#13011.1000



Bestop Window Storage Duffie

- > Protects your soft glass windows when out
- > 4 layers of non-static fabric to protect glass
- > Water resistant design, right where you need it
- > Also can store Bikini or Windjammer
- > Comes in Charcoal Gray

Window Storage Duffie for '87-'12 Wrangler #91109.1500

Go online or call for latest price



The Trusted Source

Introducing:

QuadraTop[®]

SUMMER ACCESSORIES

Bimini, Bimini Plus, Windstopper & Tonno Cover

- > Durable 23oz fabric
- > Simple, no-drill installation
- > Heavy-duty straps & buckles
- > Fits over factory softtop hardware
- > Color-matched to all accessories

For '07-'14 JK Wrangler:

- Bimini Top #11022.0435 ... \$49.99
- Bimini Top Plus #11022.1X35 ... from \$69.99
- Windshield Header Channel #11122.102 ... \$54.99
- Windstopper #11028.0X35 ... \$64.99
- Tonno Cover #11051.0X15 ... \$79.99



Complete 4 Piece Kit:

Bimini Top, Windshield Channel, Windstopper and Tonno Cover for '07-'14 Wrangler #11022.9XXX ... from \$249.96



Due to the limitations of printing, all color samples shown in this catalog are close approximations only.



The Trusted Source

Quadratec Exclusive Parts and Accessories:



Sliding Armrest Organizer in Forward Position

Quadratec Sliding Armrest Console Organizer

- > Fully padded & upholstered
- > 10" x 8" x 2" storage compartment
- > Console slides forward 4.5" for convenience
- > Steel brackets attach to top of factory console using existing fasteners
- > No drilling or modifications needed

For '07-'10 Wrangler #55013.0604 ... **\$79.99**

Quadratec Emergency Top

- > Lightweight & easy to store
- > Installs in minutes
- > Constructed of rain-resistant PVC-fabric
- > Rear window can be stored in storage bag
- > Includes storage bag & 2 water-proof ponchos

For '07-'14 Wrangler 2 Door #11174.1041 ... **\$99.99**
 For '07-'14 Wrangler 4 Door #11174.1051 ... **\$119.99**



Storage Bag & 2 Ponchos included



Quadratec Replacement Mirrors

- > Direct bolt to any '07-'14 Wrangler
- > Designed to original equipment specifications
- > Available single replacements or as a pair
- > Includes pre-assembled arms, mounting brackets and hardware

Driver & Passenger Side Priced per mirror

For '07-'14 Wrangler w/ soft doors #13111.032X ... **\$44.99 each***

Replacement Mirror for '07-'14 Wrangler #13111.030X ... **\$59.99 each***

Driver & Passenger Side Priced as a pair

For '07-'14 Wrangler w/ soft doors #13111.0320 ... **\$79.98 each***

Replacement Mirror for '07-'14 Wrangler #13111.0330 ... **\$109.98 each***

*Fits '07-'14 Wrangler with Bestop Fabric Superdoor



Each mirror features our Quadratec logo



The Trusted Source

Quadratec Limited Warranty

for QuadraTop® Premium Replacement Soft Tops

Your QuadraTop Premium replacement soft top is covered by the following **Limited Warranty** provided exclusively by Quadratec, Inc. 1028 Saunders Lane, West Chester, PA 19380.

This **Limited Warranty** is the only warranty made in connection with purchase. Quadratec neither assumes nor authorizes any vendor, retailer or other person or entity to assume for it any other obligation or liability in connection with this product or **Limited Warranty**.

What is Covered:

Subject to the terms, exclusions and limitations herein and with respect only to soft tops first sold in the United States, Quadratec warrants to the initial retail purchaser only that your QuadraTop soft top shall be free of defects in material and workmanship **for a period of 3 years from date of initial retail sale.**

All other warranties are hereby disclaimed, except to the extent prohibited by applicable law in which case any implied warranty of merchantability or fitness for a particular purpose on this product is limited to 3 years from date of initial retail sale. Quadratec reserves the rights to: (a.) require invoice or other proof your soft top is within the terms of this **Limited Warranty** as a condition of warranty service and, (b.) make future revisions to this product and **Limited Warranty** without prior notice or obligation to upgrade your soft top.

What is Not Covered:

Your Quadratec **Limited Warranty** does not cover products or parts Quadratec determines to have been damaged by or subjected to: (a.) installation damage, alteration, modification, failure to maintain or attempted repair or service by anyone not authorized by Quadratec, (b.) normal wear and tear, cosmetic damage or damage from water immersion, (c.) Acts of God, accidents, misuse, negligence, inadequate mounting or impact with vehicle(s), obstacles or other aspects of the environment, (d.) theft, vandalism or other intentional damage.

Remedy Limited to Repair/Replacement:

The exclusive remedy provided hereunder shall, upon Quadratec inspection and at Quadratec's option, be either repair or replacement of product or parts (new or refurbished) covered under this Limited Warranty. Customers requesting warranty consideration on QuadraTop Premium soft top should first contact Quadratec to obtain a RGA number (610-701-3336). All labor, removal, shipping and installation costs are customer's responsibility.

Other Limitations - Exclusion of Damages - Your Rights Under State Law:

In consideration of the purchase price paid, neither Quadratec nor any independent Quadratec distributor/licensee are responsible for any time loss, rental costs, or for any incidental, consequential, punitive or other damages you may have or incur in connection with any part or product purchased. Your exclusive remedy hereunder for covered parts is repair/replacement as described above.

This **Limited Warranty** gives you specific rights. You may also have other rights that vary from state to state. For example, some states do not allow limitations of how long an implied warranty lasts and/or do not allow the exclusion or limitation of incidental or consequential damages, so the limitations and exclusions herein may not apply to you.

©Quadratec, Inc. 2013. All Rights Reserved.
Version 10.30.13

The terms Quadratec®, Essentials® and Essential® are Registered Trademarks of Quadratec Inc. Registered in U.S. Patent and Trademark Office.

Part #12999.0219



The Trusted Source