

Quadratec® Premium 2" Receiver Hitch

Installation Manual: for 1997-2006 Wrangler (TJ)
and Wrangler Unlimited (LJ)

#12015.1100



PARTS LIST:

2" Receiver Hitch - QTY 1

Installation Hardware - SEE PAGE 3

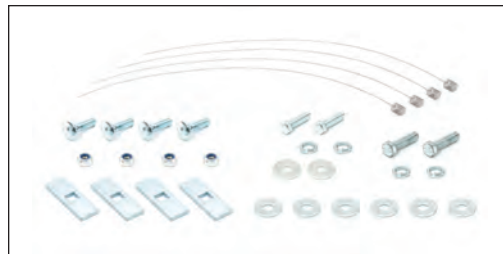
REQUIRED TOOLS:

Safety Glasses

5/8", 18mm & 19mm Sockets & Wrenches

Ratchet Driver

Torque Wrench



⚠ WARNING ⚠

TO REDUCE RISK OF SERIOUS INJURY OR PROPERTY DAMAGE: READ ALL SAFETY MESSAGES AND UNDERSTAND ALL INSTRUCTIONS AND PROCEDURE NOTICES BEFORE ATTEMPTING TO INSTALL OR USE THIS PRODUCT. FOLLOW ALL INSTRUCTIONS AND WARNINGS WITH PRODUCT & VEHICLE OWNERS MANUAL.

⚠ WARNING ⚠

REGARDING RECEIVERS: SEE PAGE 2 FOR URGENT RECEIVER CAPACITY WARNINGS. DO NOT ALLOW RECEIVER MOUNTED ACCESSORIES (BIKES, ETC.) TO BLOCK VEHICLE MIRRORS OR LIGHTS. READ AND UNDERSTAND ALL CAPACITY WARNINGS.

⚠ CAUTION ⚠

RISK OF EYE INJURY! SAFETY GLASSES MUST BE WORN AT ALL TIMES WHILE INSTALLING OR MAINTAINING THIS PRODUCT. TORQUE AND RECHECK FASTENERS AFTER 250 MILES AND FREQUENTLY THEREAFTER. INSPECT BUMPER AND HITCH BEFORE USE. DO NOT USE IF DAMAGED.

NOTICE

CHECK STATE AND LOCAL HIGHWAY SAFETY LAWS REGARDING PERMITTED BUMPER TYPES AND HEIGHTS.



The Trusted Source

A Few Words About Product Safety:

Your Receiver Hitch is intended to enhance the utility and enjoyment of your off road capable vehicle. Before installation, please take a moment to review the following safety information

and installation instructions. Important safety information is generally preceded by one of three signal words indicating the relative risk of injury.

The signal words mean:

⚠ WARNING ⚠	a hazardous situation which, if not avoided, could result in death or serious injury. You CAN be KILLED or SERIOUSLY HURT if you don't follow instructions.
⚠ CAUTION ⚠	a hazardous situation which, if not avoided, could result in minor or moderate injury. You CAN be moderately HURT and also may suffer property damage if you don't follow instructions.
NOTICE	Careful attention is required to this instruction or operation but does generally not relate to personal injury. Damage to your Quadratec® product or other property may result if you don't follow instructions.

Before You Begin Installation:

Congratulations on your purchase of the Quadratec Premium 2" Receiver Hitch for '97-'06 Wrangler TJ and Wrangler Unlimited (LJ) Vehicles. This version is specifically designed for the original equipment factory bumper.

When unpacking, check to make sure all parts are included and not damaged due to shipping.

If any part is missing or broken, please call Customer Service at 800-745-6037 as soon as possible.

As tow hitches tend to be heavy, we suggest you get help for steps involving lifting, locating or holding the hitch during installation.

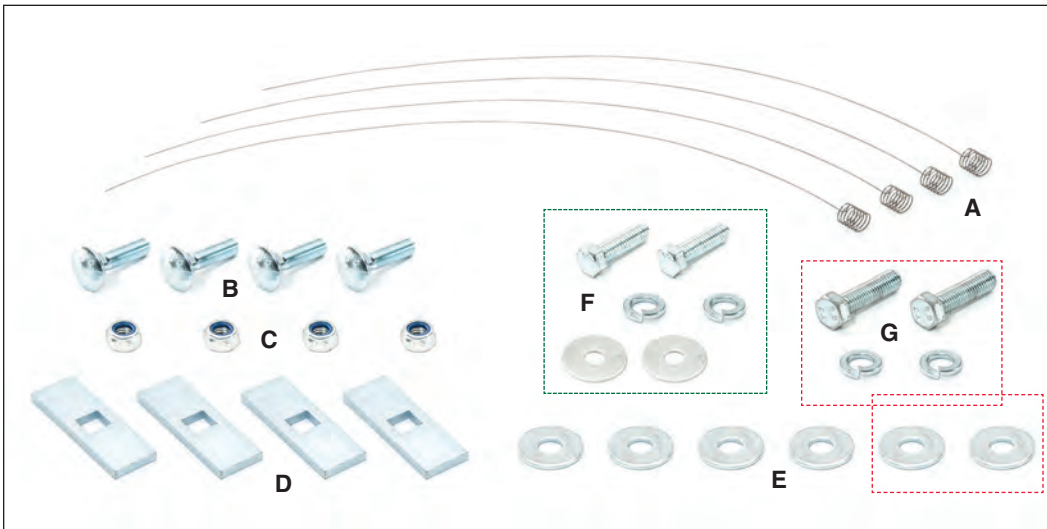
Thank you again for your purchase and let's start the installation process.

⚠ WARNING ⚠	THIS CLASS II RECEIVER: TJ WRANGLER: MAX TOW WEIGHT 2000 LBS. MAX TONGUE WT. 200 LBS. Wrangler Unlimited LJ: MAX TOW WEIGHT 3500 LBS. MAX TONGUE WT. 350 LBS.
⚠ WARNING ⚠	TO REDUCE RISK OF SERIOUS INJURY OR PROPERTY DAMAGE: INSTALL ACCORDING TO INSTRUCTIONS. TORQUE AND RECHECK FASTENERS AFTER 250 MILES AND FREQUENTLY THEREAFTER. INSPECT AND DO NOT USE RECEIVER/BUMPER IF DAMAGED.
⚠ WARNING ⚠	CONSULT & NEVER EXCEED LESSER OF VEHICLE, RECEIVER OR TRAILER MAXIMUM TOW OR WEIGHT RATINGS. CONSULT AND FOLLOW ALL LIMITATIONS & WARNINGS IN YOUR VEHICLE OWNERS MANUAL AND SAFE TOWING SUPPLEMENT.
NOTICE	CHECK STATE AND LOCAL HIGHWAY SAFETY LAWS REGARDING PERMITTED BUMPER TYPES AND HEIGHTS.



The Trusted Source

Installation Hardware:

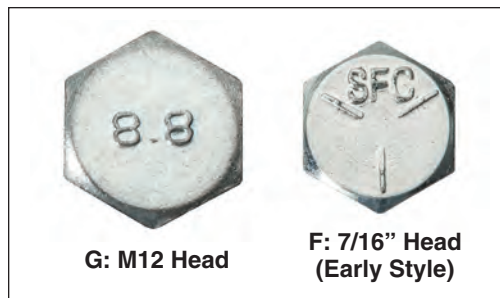


PARTS LIST:

- A) M12 Wire "Fish" Leader QTY 4
- B) M12 Carriage Bolts QTY 4
- C) M12 Nylock Nuts QTY 4
- D) Carriage Bolt Retaining Plates QTY 4
- E) M12 Flat Washers QTY 6

- F) Early Production TJ Hardware:
 - 7/16" Hex Head Bolts QTY 2
 - 7/16" Split Lock Washers QTY 2
 - 7/16" Flat Washers QTY 2

- G) Later Production (Majority) TJ Hardware:
 - M12 Hex Head Bolts QTY 2
 - M12 Split Lock Washers QTY 2
 - M12 Flat Washers QTY 2

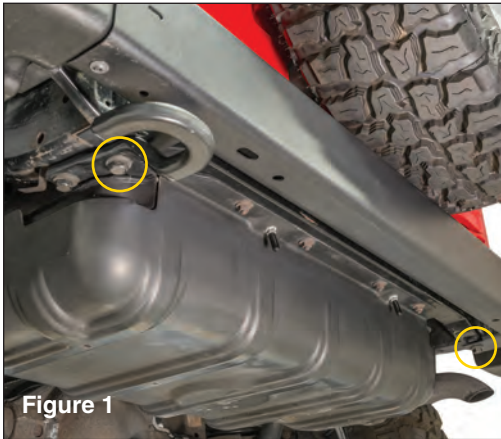


NOTICE Early production TJ vehicles use 7/16" Hardware. Later production TJ and LJ vehicles use M8 Hardware. We have supplied both versions of the hardware in this kit. Be sure to replace your original hardware with the correct replacement. FAILURE TO DO SO COULD DAMAGE THE THREADS IN YOUR VEHICLE FRAME.

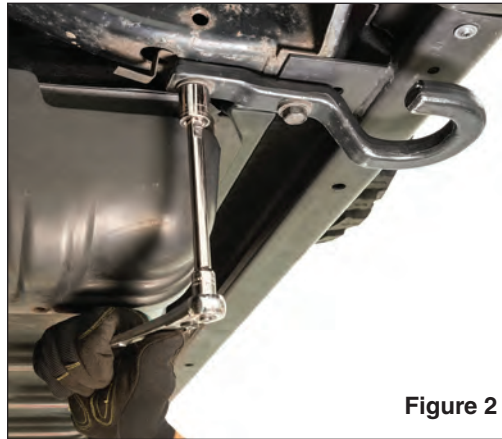


The Trusted Source

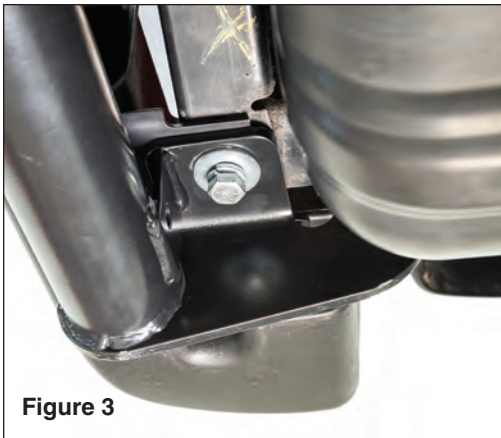
Hitch Installation:



Put on safety glasses. Remove lower bumper bolts using an 18mm socket on later models (5/8" on early models). Also



remove the factory tow hook if so equipped. This hook will not be reinstalled with the tow hitch.



Position the new receiver hitch in place under the bumper so that the mounting holes align with the lower bumper holes. Install bolts in both lower mounting holes along with a lock washer and flat washer.



Be sure to use M12 on later models and 7/16" bolts on earlier models. See photo on parts page for clarification. Snug the new hardware with the correct 18mm or 5/8" socket wrench depending on hardware, but do not tighten the bolts at this point.



The Trusted Source

Hitch Installation:

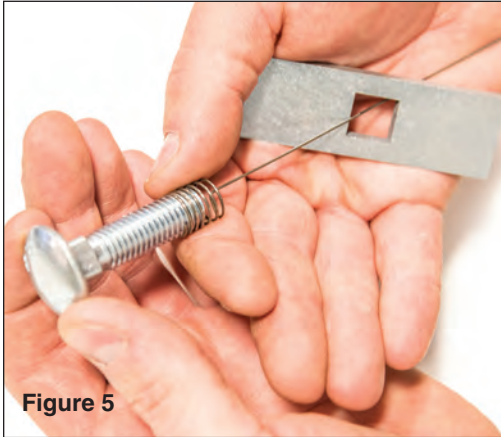


Figure 5

The following steps will use a wire fish to pull a M12 Carriage bolt and plate into place in your vehicle's frame. Thread the bolt on to the fish as shown.



Figure 6

Pull a bolt through the existing holes in both sides of the frame. Make sure that the bolts are engaged into the square hole in the plate. You may have to rotate the bolt in order to properly engage it.

CAUTION

EACH AND EVERY TIME YOU USE A WIRE FISH, ALWAYS WEAR SAFETY GLASSES!



Figure 7

Remove the wire fish from the bolt and install a M12 Flat washer and Nyloc. Snug the nut with an 19mm wrench or socket but do not fully tighten at this time.



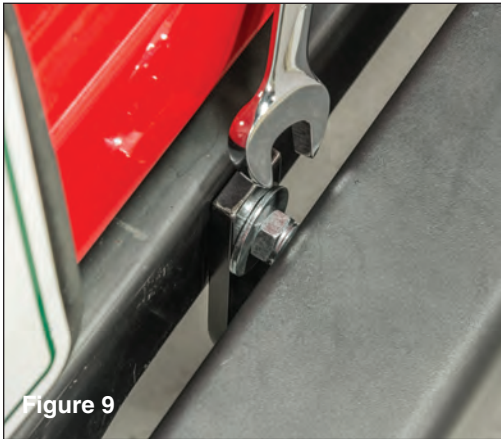
Figure 8

Fish another set of M12 carriage bolts and plates behind the vehicle's rear crossmember and out through the existing holes and through the hitch middle support brackets. (continued next page)



The Trusted Source

Hitch Installation:



Remove the wire fish from the bolt and install a M12 Flat washer and Nyloc. Snug the nut with an 19mm wrench or socket but do not fully tighten at this time. As shown, it may be easier to access the nuts from above rear bumper.



Once all of the hardware has been installed they can all be fully tightened. Start with the lower mounting bolts followed by the side bolts and finally the two middle support bolts.

NOTICE

TORQUE ALL BOLTS TO THE FOLLOWING SPECIFICATIONS:

**M12 Bolts: 68 FT/LBS
7/16" BOLTS : 50 FT/LBS**



The Trusted Source

Quadratec Replacement Mirrors

Our high quality mirrors can be directly bolted to any '88-'06 Wrangler doors! Each mirror application has been designed to original equipment specs to replicate the look and performance of factory mirrors. Available as single replacements or in pairs. All include pre-assembled arms, mounting brackets and hardware. Each mirror features Quadratec logo.

For '88-'02 Style Mirror in Black #13111.0310 ... **\$79.98 pair***
 For '88-'02 Style Mirror in Chrome #13111.0300 ... **\$79.98 pair***
 For '03-'06 TJ Style Mirror in Black #13111.0320 ... **\$84.98 pair***

*Fits '88-'06 Wrangler Half Doors, '94-'06 Wrangler Full Steel Doors



Plug N' Play Wiring Harness for '98-'06 TJ

EZ Wiring for Towing

The quick way to get wired for towing lighting. Our EZ Connector and Wiring Kits are made to the original specifications and keep you from having to make frustrating and costly modifications to your vehicles wiring. Full instructions included to get you on the road with your load!

Receiver Wiring Kit for '98-'06 #92015.8002 ... **\$19.99**
 EZ Connector for '91-'97 #92015.03 ... **\$21.99**

Quadratec® LED Tail Lamp Kit

These traditional looking tail lamps have a clean no-nonsense look of original equipment with the custom looks and performance of solid state LED (light emitting diode) technology. LED lamps provide a brilliant light that outlasts incandescent bulbs and is the new standard in automotive signal lamps. Our tail lamps are designed to operate with all existing factory wiring harness connectors and include a new signal flasher module for easy installation and flawless operation. These plug and play lamp assemblies install in minutes with no splicing or modifications required with pre-terminated wiring and factory style plug ends.

For 1997 Wrangler #55213.0115 ... **\$139.99**
 For '98-'00 Wrangler #55213.0114 ... **\$139.99**
 For '01-'06 Wrangler #55213.0116 ... **\$139.99**



New Signal Flasher Modules.

FREE
SHIPPING
 On Orders \$75 & Over*

Hitch Balls & Mounts

We now offer a wide variety of trailer balls and fixed ball mounts for 2" receivers with varying amounts of drop and length. These are ideal for use with trailer setups that do not require a range of adjustment.

Ball Mount Kit:

2" Drop Ball Mount, 2" Ball & Pin & Clip #92018.0000 ... **\$19.99**
 2" Drop Ball Mount, 1 1/2" Ball & Pin & Clip #92018.0001 ... **\$19.99**
 2" Hitch Extension (up to 12") #92034.9010 ... **\$34.99**



Ball Mount Kit

2" Hitch Extension

Shop today! @
quadratec.com

Quadratec® Exclusive Three Year Limited Warranty

Your Quadratec® branded accessories are covered by the following **Limited Warranty** provided exclusively by Quadratec, Inc., 1028 Saunders Lane, West Chester PA 19380.

This **Limited Warranty** is the only warranty made in connection with your purchase. Quadratec neither assumes nor authorizes any vendor, retailer or other person or entity to assume for it any other obligation or liability in connection with this product or **Limited Warranty**. This **Limited Warranty** does not apply and is not cumulative to any accessory or part distributed by Quadratec for which the Manufacturer provides a separate written warranty.

What is Covered: Subject to the terms, exclusions and limitations herein and with respect only to Quadratec branded accessories first sold in the United States, Quadratec warrants to the initial retail purchaser only that your Quadratec accessory shall be free of defects in material and workmanship: **for a period of three (3) years from date of retail purchase.**

This **Limited Warranty** is not assignable and shall terminate upon sale of the vehicle upon which the Quadratec accessory is installed or other transfer third persons.

All other warranties are hereby disclaimed, except to the extent prohibited by applicable law in which case any implied warranty of merchantability or fitness for a particular purpose on this product is limited to 3 year from date of initial retail sale. Quadratec reserves the rights to: (a.) require invoice or other proof your accessory is within the terms of this **Limited Warranty** as a condition of warranty service and, (b.) make future revisions to this product and **Limited Warranty** without prior notice or obligation to upgrade your product.

What is Not Covered:
Your Quadratec **Limited Warranty** does not cover products or parts Quadratec determines to have been damaged by or subjected to:

(a.) installation damage, alteration, modification, combination with other parts, failure to maintain or improper repair or service, (b.) normal wear & tear, cosmetic damage or damage from moisture or water immersion, (c.) Acts of God, accidents, misuse, negligence, inadequate mounting or impact with vehicle(s), obstacles or other aspects of the environment, (d.) theft, vandalism or other intentional damage.

Remedy Limited to Repair/Replacement:
The exclusive remedy provided hereunder shall, upon Quadratec inspection and at Quadratec's option, be either repair or replacement of product or parts (new or refurbished) covered under this **Limited Warranty**. Customers requesting warranty consideration should first contact Quadratec to obtain a RGA number (610-701-3336). All labor, removal, shipping and installation costs are customer's responsibility.

Other Limitations - Exclusion of Damages - Your Rights Under State Law:

In consideration of the purchase price paid, neither Quadratec nor any independent Quadratec distributor/licensee are responsible for any time loss, rental costs, or for any incidental, consequential, punitive or other damages you may have or incur in connection with any part or product purchased. Your exclusive remedy hereunder for covered parts is repair/replacement as described above.

This **Limited Warranty** gives you specific rights. You may also have other rights that vary from state to state. For example, some states do not allow limitations of how long an implied warranty lasts and /or do not allow the exclusion or limitation of incidental or consequential damages, so the limitations and exclusions herein may not apply to you.

©Quadratec, Inc. 2014. All Rights Reserved.
10.01.14 LTR Version

Part #12999.3015



The Trusted Source