

VersaHitch® Bike Rack

Installation Manual: for Jeep Wrangler with VersaHitch
#92034.3000



PARTS LIST:

Receiver Bases - QTY 2
Main Rack System - QTY 1
Installation Hardware - SEE PAGE 3

REQUIRED TOOLS:

Safety Glasses & 5/16" Hex Key

SUPPLIED TOOLS:

3/4" Wrench - QTY 1
5mm Allen Wrench - QTY 1



⚠ WARNING ⚠

TO REDUCE RISK OF SERIOUS INJURY OR PROPERTY DAMAGE: READ ALL SAFETY MESSAGES AND UNDERSTAND ALL INSTRUCTIONS AND PROCEDURE NOTICES BEFORE ATTEMPTING TO INSTALL OR USE THIS PRODUCT. FOLLOW ALL INSTRUCTIONS AND WARNINGS WITH PRODUCT & VEHICLE OWNERS MANUAL.

⚠ CAUTION ⚠

RISK OF EYE INJURY! SAFETY GLASSES MUST BE WORN AT ALL TIMES WHILE INSTALLING OR MAINTAINING THIS PRODUCT. TORQUE AND RECHECK FASTENERS AFTER 250 MILES AND FREQUENTLY THEREAFTER. INSPECT RECEIVER HITCH AND RACK BEFORE USE. DO NOT USE IF DAMAGED.



A Few Words About Product Safety:

Your Receiver Mount Bike Rack is intended to enhance the utility and enjoyment of your off road capable vehicle. Before installation, please take a moment to review the following safety information and installation instruc-

tions. Important safety information is generally preceded by one of three signal words indicating the relative risk of injury.

The signal words mean:

⚠ WARNING ⚠	a hazardous situation which, if not avoided, could result in death or serious injury. You CAN be KILLED or SERIOUSLY HURT if you don't follow instructions.
⚠ CAUTION ⚠	a hazardous situation which, if not avoided, could result in minor or moderate injury. You CAN be moderately HURT and also may suffer property damage if you don't follow instructions.
NOTICE	Careful attention is required to this instruction or operation but does generally not relate to personal injury. Damage to your VERSAHITCH® product or other property may result if you don't follow instructions.

Before You Begin Installation:

Congratulations on your purchase of the VersaHitch® Bike Rack for vehicles equipped with a VersaHitch®. When unpacking, check to make sure all parts are included and not damaged due to shipping.

Regarding Hitch Safety: Always consult the instructions that came with your hitch.

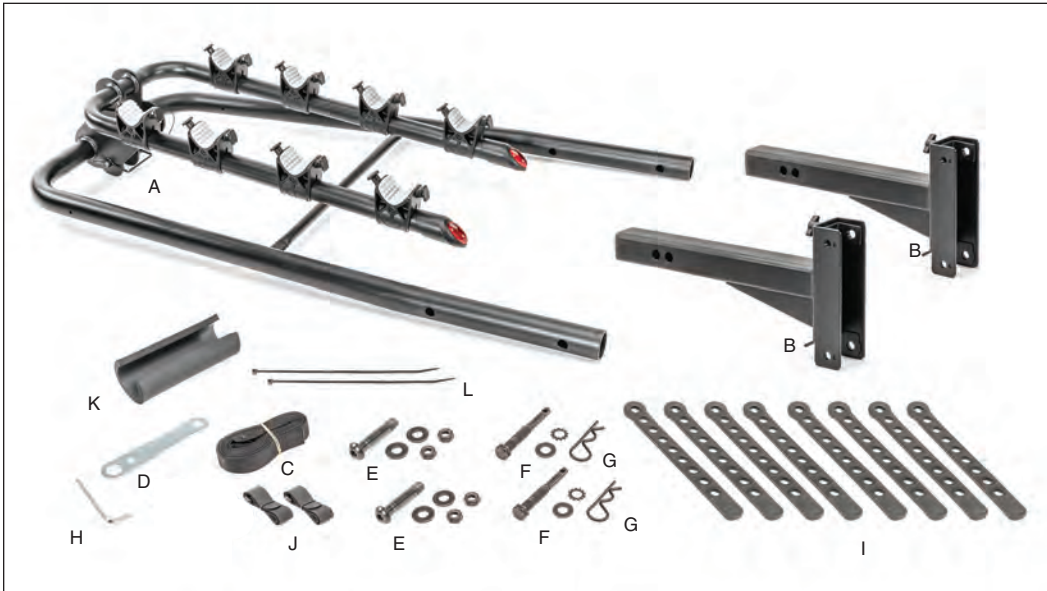
Thank you again for your purchase and let's start the installation process.

If any part is missing or broken, please call Customer Service at 800-745-6037 as soon as possible.

⚠ WARNING ⚠	TO REDUCE RISK OF SERIOUS INJURY OR PROPERTY DAMAGE: INSTALL ACCORDING TO INSTRUCTIONS. TORQUE AND RECHECK FASTENERS AFTER 250 MILES AND FREQUENTLY THEREAFTER. INSPECT AND DO NOT USE RECEIVER/RACK IF DAMAGED.
⚠ WARNING ⚠	ALWAYS FOLLOW ALL SAFETY WARNINGS, CAUTIONS AND NOTICES IN THE INSTALLATION INSTRUCTIONS AND DOCUMENTATION THAT CAME WITH YOUR BIKE RACK AND HITCH. THIS DOCUMENT ONLY REFERS TO BIKE RACK ASSEMBLY AND INSTALLATION.
NOTICE	CHECK STATE AND LOCAL HIGHWAY SAFETY LAWS REGARDING PERMITTED BUMPER TYPES AND HEIGHTS.



Installation Hardware:



PARTS LIST:

A) Main Rack Assembly	QTY 1	G) Cotter Pins	QTY 2
B) Receiver Bases	QTY 2	H) 5mm Allen Wrench	QTY 1
C) Webbed Retainer Strap	QTY 1	I) Rubber Bike Retaining Straps:	
D) 3/4" Wrench	QTY 1	For Bike Rack (shown)	QTY 8
E) 1/2" Pivot Bolts with thick flat washers & nylock nuts	QTY 2	J) Hook & Loop Brake Lever Straps	QTY 2
F) 1/2" Retaining Bolts with Flat & Lock Washers	QTY 2	K) Foam Frame Tube Pad Optional	QTY 1
		L) Cable Zip Ties	QTY 2



Bike Rack Assembly:

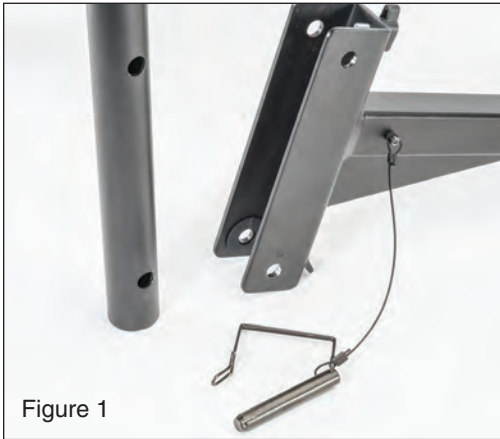


Figure 1

Put on safety glasses. Place the main rack assembly of the bike rack into both lower receiver bases. (FIG 1)

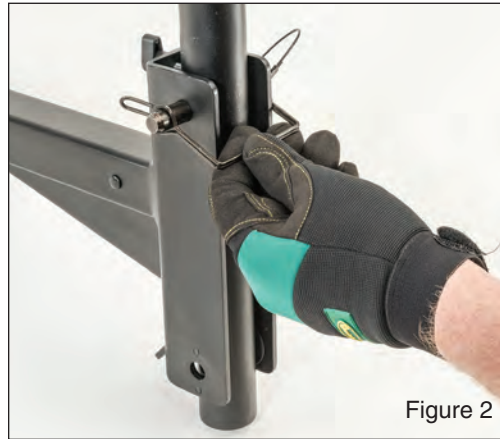


Figure 2

Install pin and retaining clip in the upper hole through both pieces on both sides. (FIG 2)



Figure 3

Install the supplied 1/2" pivot bolts through the lower holes with a flat washer on both sides of the rack. Attach the nylock nuts and tighten using the supplied 3/4" wrench and a 5/16" hex key (not supplied). (FIG 3)



Figure 4

Position the Bike cradles vertically on the upper arm as shown and snug the Allen bolts with the supplied 5mm allen wrench. Final adjustment of the bike cradles can be made later when the rack is installed. (FIG 4)

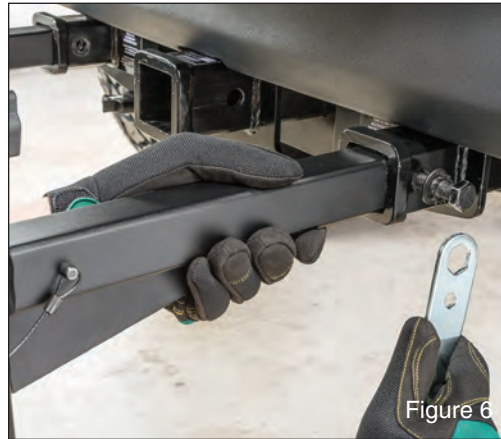


Bike Rack Installation:

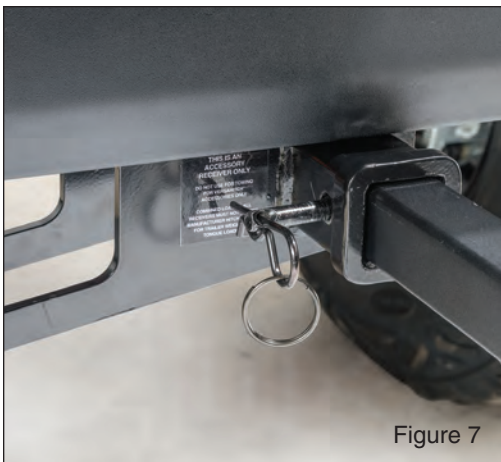


Install the round end of the rubber retaining straps by pulling them over the square retaining tabs on the cradles.

As shown in Figure 6, slide the Bike rack receiver tubes into the VersaHitch on your vehicle. Align the holes in



*VersaHitch with the hole in the bike rack. Install the threaded retaining bolt from the right hand side along with the lock washer & flat washer. **ONLY INSTALL THE BOLT FROM THE RIGHT HAND SIDE** on each side. Tighten bolts using the supplied 3/4" wrench. (FIG 6)*



NOTE: There are two mounting holes on the receiver tubes. Use the holes that provide the best clearance for your spare tire. (Spare tire sizes vary) Now install the Cotter pins on the opposite sides of the bolt as shown. (FIG 7)



Optional: Attach the foam pad to the right hand bike rack main tube above the crossbar using the provided cable zip-ties. (FIG 8) This is designed to protect the corner of the tailgate from contacting the rack when folded down.



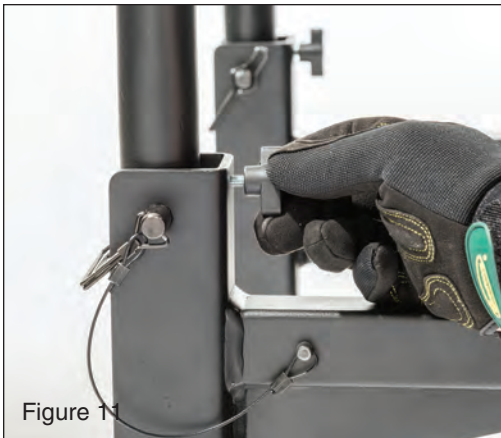
Bike Rack Installation:



Remove the retaining pin from the upper hinge and swing the rack arms



into place. Reinstall the pin and retaining clip into the lower hole. (FIG 10)



Adjust the thumb screws on the back of the vertical arms of the rack until it is snug in order to eliminate rattling. (FIG 11)



Pull the rubber retaining straps over the frame of the bike and secure it on the rectangular hook.

Place the bike into the cradles as shown. The position of the cradles can be adjusted using the provided 5mm allen key as shown previously in the assembly portion.



Bike Rack Installation:



Thread the provided safety strap through the wheels and the back of the vertical arms of the rack. Secure with



the buckle (FIG 13). Hook & loop straps can be used to secure brakes to prevent wheels from spinning in transit. (FIG 14)



In order to recline the bike rack and gain access to your tailgate or cargo area, start by removing the bicycles from the rack. Lower the upper arm using by removing the retaining pins and re-installing them in the upper holes.



Now remove the retaining pins from the lower hinges and carefully recline the main rack. Be sure to reinstall all pins and retaining clips when you are finished and before operating your vehicle.

This is the reverse of the steps shown in figures 10 & 11.



VersaHitch® Exclusive Three Year Limited Warranty

Your VersaHitch® branded accessories are covered by the following **Limited Warranty** provided exclusively by the VersaHitch® Division of Quadratec, Inc. 1028 Saunders Lane, West Chester PA 19380.

This **Limited Warranty** is the only warranty made in connection with your purchase. VersaHitch® neither assumes nor authorizes any vendor, retailer or other person or entity to assume for it any other obligation or liability in connection with this product or **Limited Warranty**.

What is Covered: Subject to the terms, exclusions and limitations herein and with respect only to VersaHitch® branded accessories first sold in the United States, VersaHitch® warrants to the initial retail purchaser only that your VersaHitch® accessory shall be free of defects in material and workmanship: **for a period of three (3) years from date of retail purchase.**

This **Limited Warranty** is not assignable and shall terminate upon sale of the vehicle upon which the VersaHitch® accessory is installed or other transfer third persons.

All other warranties are hereby disclaimed, except to the extent prohibited by applicable law in which case any implied warranty of merchantability or fitness for a particular purpose on this product is limited to 3 year from date of initial retail sale. VersaHitch® reserves the rights to: (a.) require invoice or other proof your accessory is within the terms of this **Limited Warranty** as a condition of warranty service and, (b.) make future revisions to this product and **Limited Warranty** without prior notice or obligation to upgrade your product.

What is Not Covered:

Your VersaHitch® **Limited Warranty** does not cover products or parts VersaHitch® determines to have been damaged by or subjected to: (a.) installation damage, alteration, modification, combination with other parts, failure to

maintain or improper repair or service, (b.) normal wear & tear, cosmetic damage or damage from moisture or water immersion, (c.) Acts of God, accidents, misuse, negligence, inadequate mounting or impact with vehicle(s), obstacles or other aspects of the environment, (d.) theft, vandalism or other intentional damage.

Remedy Limited to Repair/Replacement:
The exclusive remedy provided hereunder shall, upon VersaHitch® inspection and at VersaHitch's option, be either repair or replacement of product or parts (new or refurbished) covered under this Limited Warranty.

Customers requesting warranty consideration should first contact VersaHitch® to obtain a RGA number (610-701-3336). All labor, removal, shipping and installation costs are customer's responsibility.

Other Limitations - Exclusion of Damages - Your Rights Under State Law:

In consideration of the purchase price paid, neither VersaHitch® nor any independent VersaHitch® distributor/licensee are responsible for any time loss, rental costs, or for any incidental, consequential, punitive or other damages you may have or incur in connection with any part or product purchased. Your exclusive remedy hereunder for covered parts is repair/replacement as described above.

This **Limited Warranty** gives you specific rights. You may also have other rights that vary from state to state. For example, some states do not allow limitations of how long an implied warranty lasts and /or do not allow the exclusion or limitation of incidental or consequential damages, so the limitations and exclusions herein may not apply to you.

©VersaHitch® 2015. All Rights Reserved.
6.08.15 LTR Version

Instruction Booklet #12999.3029



US PATENT 8562013