

VersaHitch® Cargo Rack

Assembly & Installation Manual: for use with VersaHitch®

#12033.3000



PARTS LIST:

Cargo Rack Halves - QTY 2
Center Tube - QTY 1
Connecting Plates - QTY 2
M12 x 80 Bolts - QTY 3
M12 Flat Washers - QTY 22
M12 Nylock Nuts - QTY 11
M6 x 20 Carriage Bolt - QTY 8
M6 Flat Washer - QTY 8

M6 Nylock Nuts - QTY 8
Support Tube - QTY 2
M12 x 60 Bolt - QTY 2
VersaHitch® Folding Tubes - QTY 2
M12 x 65 Bolts - QTY 2
M12 Clevis Pin with Cotter Pin - QTY 2
1/2" Hitch Pin with Cotter Pin - QTY 2
Red Reflective Tape Strip - QTY 2

⚠ WARNING ⚠

TO REDUCE RISK OF SERIOUS INJURY OR PROPERTY DAMAGE: READ ALL SAFETY MESSAGES AND UNDERSTAND ALL INSTRUCTIONS AND PROCEDURE NOTICES BEFORE ATTEMPTING TO INSTALL OR USE THIS PRODUCT. FOLLOW ALL INSTRUCTIONS AND WARNINGS WITH PRODUCT & VEHICLE OWNERS MANUAL.

⚠ WARNING ⚠

REGARDING RECEIVERS: SEE PAGE 2 FOR URGENT RECEIVER CAPACITY WARNINGS. DO NOT ALLOW RECEIVER MOUNTED ACCESSORIES (RACKS, ETC.) TO BLOCK VEHICLE MIRRORS OR LIGHTS. READ AND UNDERSTAND ALL CAPACITY WARNINGS.

⚠ CAUTION ⚠

RISK OF EYE INJURY! SAFETY GLASSES MUST BE WORN AT ALL TIMES WHILE INSTALLING OR MAINTAINING THIS PRODUCT. TORQUE AND RECHECK FASTENERS AFTER 250 MILES AND FREQUENTLY THEREAFTER. INSPECT BUMPER AND MOUNT BEFORE USE. DO NOT USE IF DAMAGED.

NOTICE

CHECK STATE AND LOCAL HIGHWAY SAFETY LAWS REGARDING PERMITTED HITCH MOUNTED ACCESSORIES






A Few Words About Product Safety:

Your VersaHitch® Cargo Rack is intended to enhance the utility and enjoyment of your off road capable vehicle. Before installation, please take a moment to review the following safety information, assembly and installation

instructions. Important safety information is generally preceded by one of three signal words indicating the relative risk of injury.

The signal words mean:

| | |
|--|--|
|  WARNING | a hazardous situation which, if not avoided, could result in death or serious injury. You CAN be KILLED or SERIOUSLY HURT if you don't follow instructions. |
|  CAUTION | a hazardous situation which, if not avoided, could result in minor or moderate injury. You CAN be moderately HURT and also may suffer property damage if you don't follow instructions. |
|  NOTICE | Careful attention is required to this instruction or operation but does generally not relate to personal injury. Damage to your Versahitch® product or other property may result if you don't follow instructions. |





Before You Begin Installation:

Congratulations on your purchase of a VersaHitch® Cargo Rack. This version is specifically designed for use with a VersaHitch® receiver hitch.

As cargo racks tend to be bulky, we suggest you get help for steps involving lifting, locating or holding the rack assembly during installation.

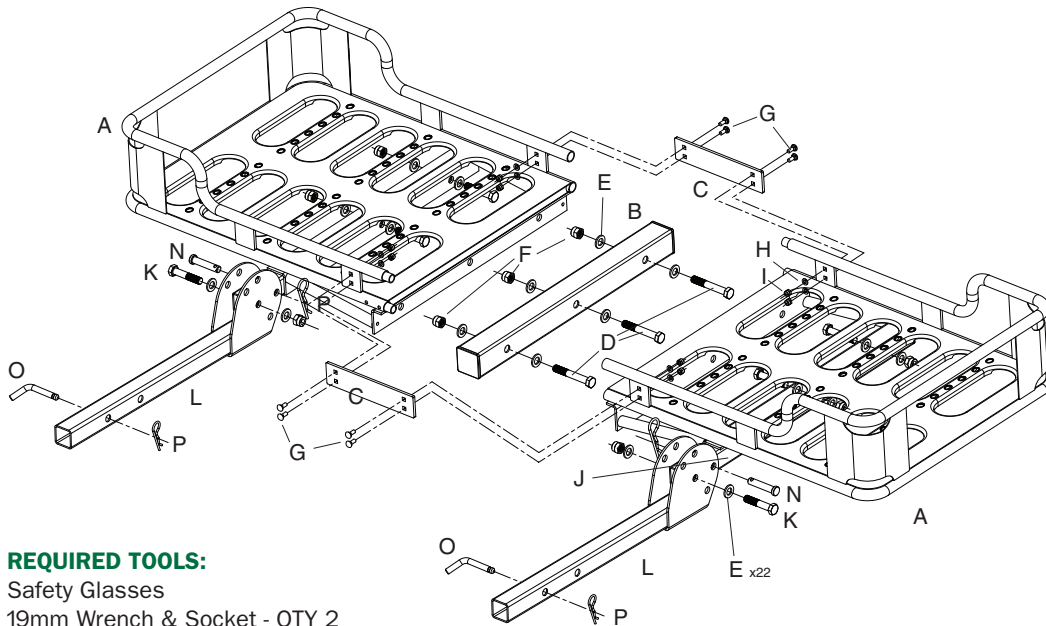
When unpacking, check to make sure all parts are included and not damaged due to shipping. If any part is missing or broken, please call Customer Service at 800-745-6037 as soon as possible.

Thank you again for your purchase and let's start the assembly and installation process.

| | |
|--|--|
|  WARNING | THIS IS DESIGNED FOR A CLASS II RECEIVER THE RACK IS RATED FOR A MAXIMUM OF 500 LBS CONSULT & NEVER EXCEED LESSER OF VEHICLE, RECEIVER OR TRAILER MAXIMUM TOW OR WEIGHT RATINGS. |
|  WARNING | DO NOT BLOCK TAILLIGHTS OR LICENSE PLATE WITH CARGO LOAD. CONSULT AND FOLLOW ALL LIMITATIONS & WARNINGS IN YOUR VEHICLE OWNERS MANUAL AND SAFE TOWING SUPPLEMENT. |
|  WARNING | SECURELY FASTEN LOAD TO CARGO CARRIER. ATTACH STRAPS AND/OR TIE DOWN HOOKS TO THE TUBULAR FRAME OF CARGO RACK. DO NOT CARRY ANY LOADS WIDER THAN YOUR VEHICLE. |
|  WARNING | DO NOT ATTEMPT TO TOW A TRAILER WITH THE VERSAHITCH CARGO RACK INSTALLED IN THE FOLDED DOWN POSITION. WITH THE RACK IN THE DOWN POSITION, TRAILER INTERFERENCE MAY OCCUR, CREATING A POTENTIALLY DANGEROUS SITUATION. |



VersaHitch® Cargo Rack Kits Contents:



REQUIRED TOOLS:

- Safety Glasses
- 19mm Wrench & Socket - QTY 2
- 10mm Wrench or Socket

PARTS LIST:

- | | |
|---|---|
| <ul style="list-style-type: none"> A.) Cargo Rack Halves - QTY 2 B.) Center Tube - QTY 1 C.) Connecting Plates - QTY 2 D.) M12 x 80 Bolts - QTY 3 E.) M12 Flat Washers - QTY 22 F.) M12 Nylock Nuts - QTY 11 G.) M6 x 20 Carriage Bolt - QTY 8 H.) M6 Flat Washer - QTY 8 I.) M6 Nylock Nuts - QTY 8 | <ul style="list-style-type: none"> J.) Support Tube - QTY 2 K.) M12 x 60 Bolt - QTY 2 L.) VersaHitch® Folding Tubes - QTY 2 M.) M12 x 65 Bolts - QTY 2 N.) M12 Clevis Pin - QTY 2 O.) 1/2" Hitch Pin - QTY 2 P.) Cotter Pin - QTY 4 Q.) Red Reflective Tape Strips - QTY 2 (not shown in diagram above) |
|---|---|

VersaHitch® Cargo Rack: Post Assembly

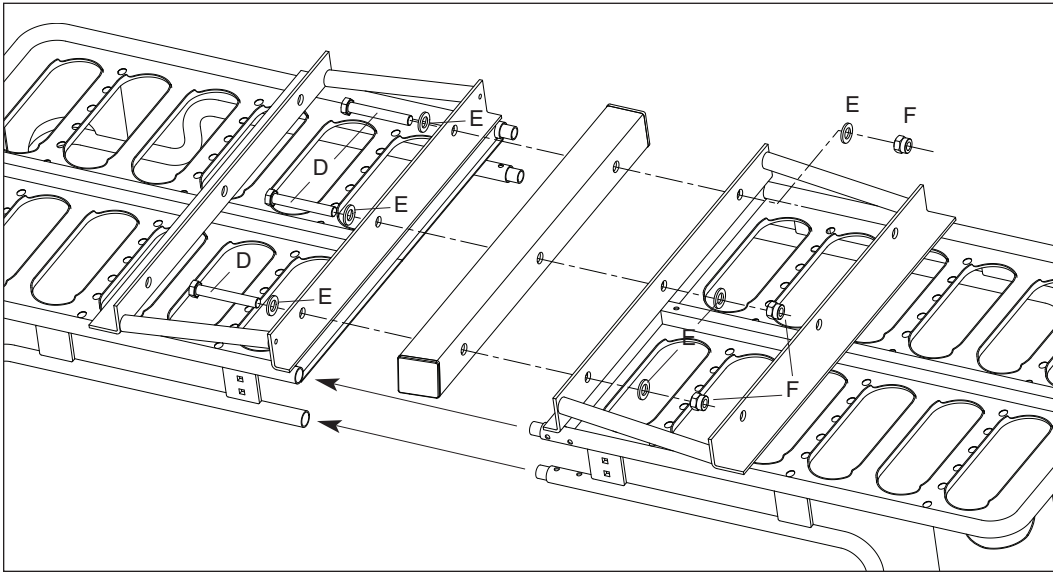
Upon completion of VersaHitch® Cargo Rack assembly, insert the rack into the two outer receiver tubes of your VersaHitch®. Always secure the rack using the (2) supplied 1/2" Hitch Pins

(O) and the (2) supplied cotter pins (P). You may select one of two portions for the rack in the VersaHitch® Accessory receivers to accommodate various spare tire sizes when in the folded position.

⚠ WARNING ⚠ BE SURE VERSAHITCH CARGO RACK IS SECURELY INSTALLED BEFORE DRIVING WITH RACK IN ANY INSTALLED POSITION.



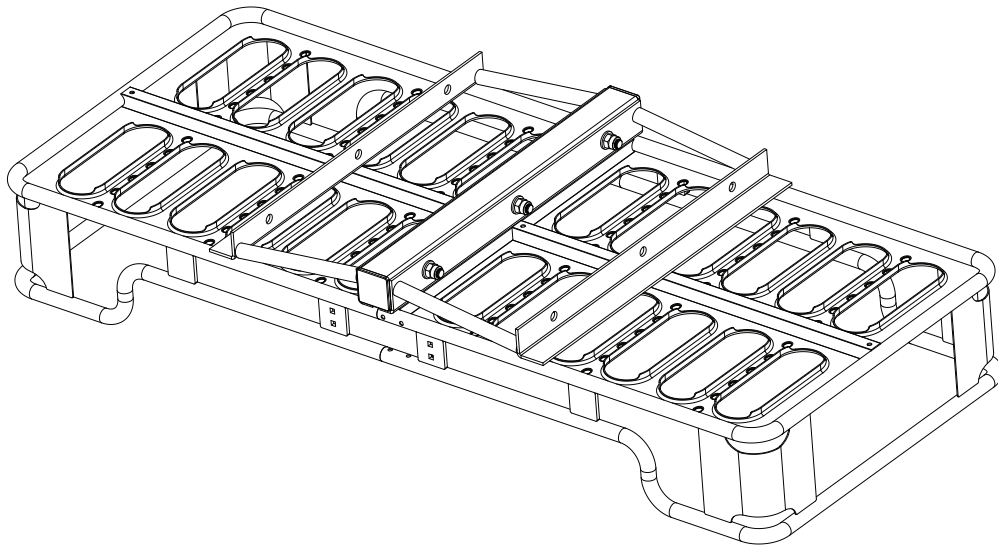
Cargo Rack Assembly: Step 1



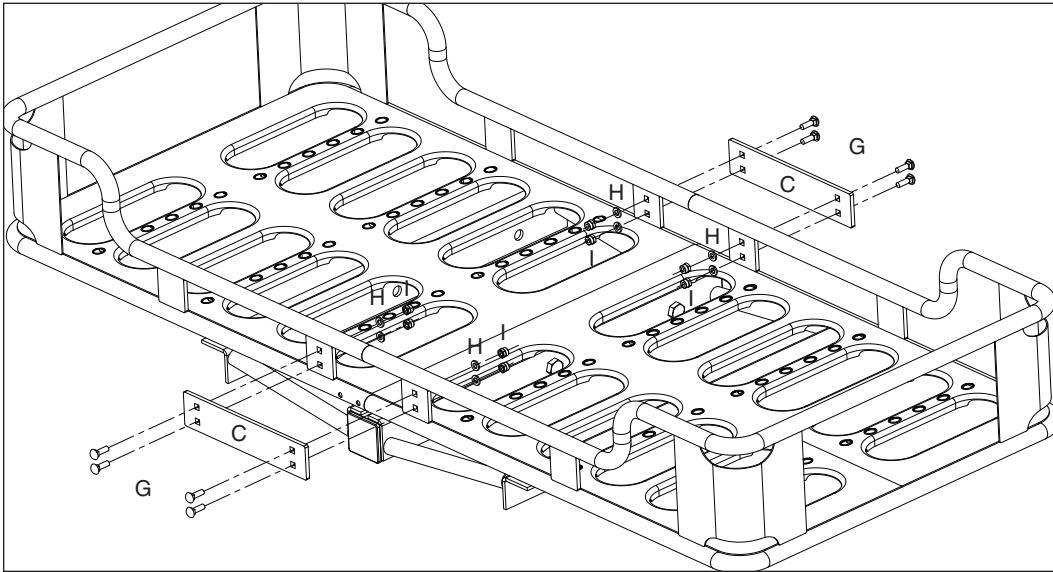
Put on safety glasses. With the top side down, position the 2" tube assembly between the two rack halves. Install the (3) M12 x 80 (D) bolts through both Cargo Rack halves and the 2" tube along with (6) M12 Flat washers (E)

and the (3) M12 nylock nuts (F). Snug the fasteners using (2) 19mm wrenches or a wrench and a 19mm socket.

Snug the bolts, but do not fully tighten at this time.

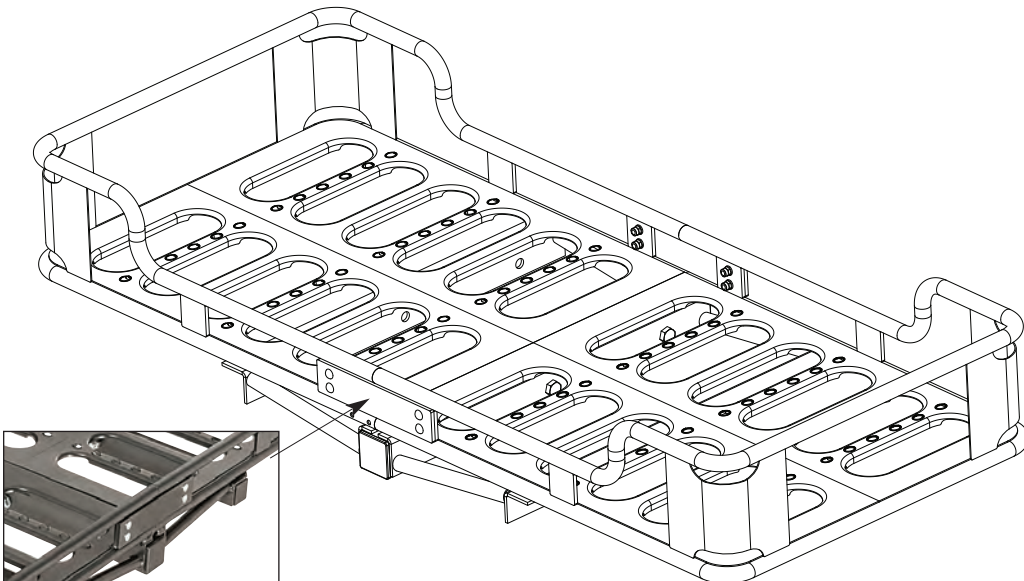


Cargo Rack Assembly: Step 2

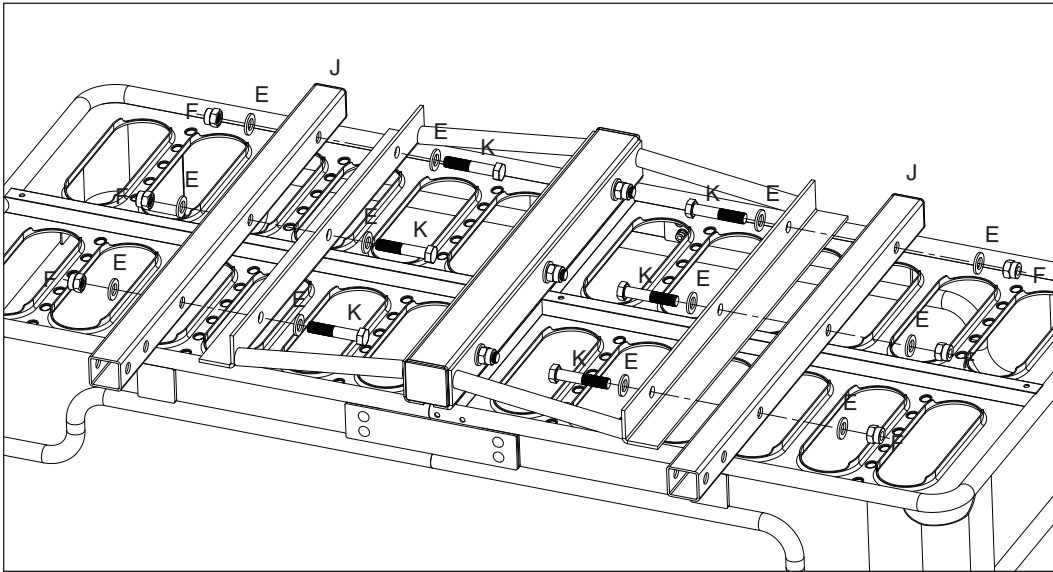


Place the 2 connecting plates on either side of the rack. The connector plate with logo (if supplied) should be used at the rear of the rack as shown in the photo below. Secure the plates in place with (8) M6 x 20 carriage bolts along

with the (8) M6 Flat washers and (8) M6 nylock nuts. After tightening the M6 carriage bolts with a 10mm wrench or socket. Go back and fully tighten M12 bolts from step 1.



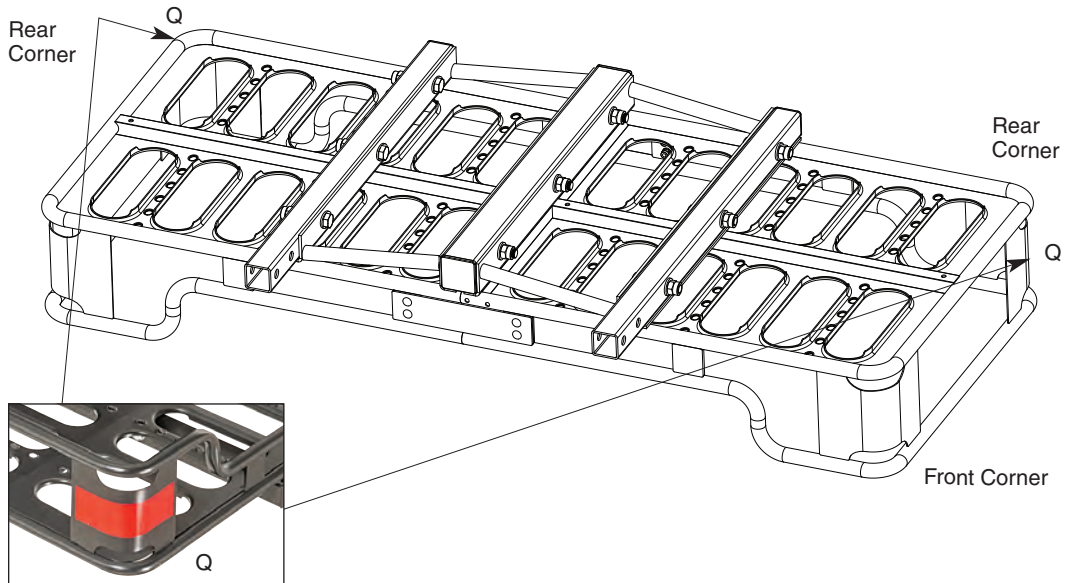
Cargo Rack Assembly: Step 3



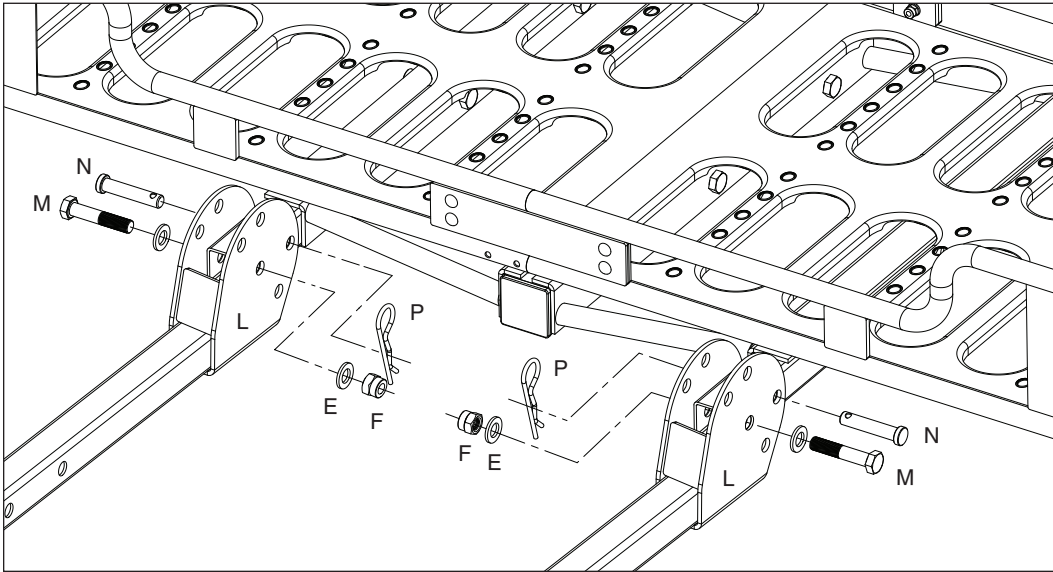
Install the (2) outboard support tubes (J) on the right and left underside of the rack. Secure them using (6) M12 x 60 bolts, (12) M12 Flat Washers (E), and (6) M12 nylock nuts (F). Tighten using two

19mm wrenches, or a 19mm Wrench and Socket.

Locate and apply two red reflective tape strips (Q) to the two rear corners of the rack as shown in photo below.



Cargo Rack Assembly: Step 4

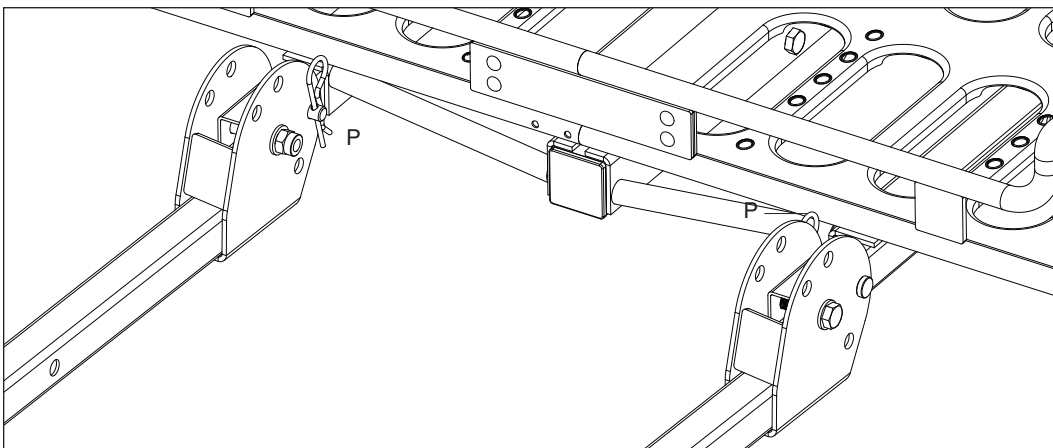


Attach folding Versahitch Tubes (L) onto the outboard support tubes (J). Use (2) M12 x 65 bolts (M), (4) M12 washers (E) and (2) M12 nylock nuts (F). Through the center pivot holes on the Versahitch Support tube flanges.

Insert the (2) M12 Clevis Pins (N) through one of the 4 outer holes on the flanges in order to lock rack in the desired folded or extended position. Make sure to secure both clevis pins with the (2) supplied Cotter pins (P).

⚠ WARNING ⚠

BE SURE VERSAHITCH CARGO RACK IS SECURELY INSTALLED BEFORE DRIVING WITH RACK IN ANY INSTALLED POSITION.



VersaHitch® Exclusive Three Year Limited Warranty

Your VersaHitch® branded accessories are covered by the following **Limited Warranty** provided exclusively by the VersaHitch® Division of Quadratic, Inc. 1028 Saunders Lane, West Chester PA 19380.

This **Limited Warranty** is the only warranty made in connection with your purchase. VersaHitch® neither assumes nor authorizes any vendor, retailer or other person or entity to assume for it any other obligation or liability in connection with this product or **Limited Warranty**.

What is Covered: Subject to the terms, exclusions and limitations herein and with respect only to VersaHitch® branded accessories first sold in the United States, VersaHitch® warrants to the initial retail purchaser only that your VersaHitch® accessory shall be free of defects in material and workmanship: **for a period of three (3) years from date of retail purchase.**

This **Limited Warranty** is not assignable and shall terminate upon sale of the vehicle upon which the VersaHitch® accessory is installed or other transfer third persons.

All other warranties are hereby disclaimed, except to the extent prohibited by applicable law in which case any implied warranty of merchantability or fitness for a particular purpose on this product is limited to 3 year from date of initial retail sale. VersaHitch® reserves the rights to: (a.) require invoice or other proof your accessory is within the terms of this **Limited Warranty** as a condition of warranty service and, (b.) make future revisions to this product and **Limited Warranty** without prior notice or obligation to upgrade your product.

What is Not Covered:

Your VersaHitch® **Limited Warranty** does not cover products or parts VersaHitch® determines to have been damaged by or subjected to: (a.) installation damage, alteration, modification, combination with other parts, failure to

maintain or improper repair or service, (b.) normal wear & tear, cosmetic damage or damage from moisture or water immersion, (c.) Acts of God, accidents, misuse, negligence, inadequate mounting or impact with vehicle(s), obstacles or other aspects of the environment, (d.) theft, vandalism or other intentional damage.

Remedy Limited to Repair/Replacement:
The exclusive remedy provided hereunder shall, upon VersaHitch® inspection and at VersaHitch's option, be either repair or replacement of product or parts (new or refurbished) covered under this Limited Warranty.

Customers requesting warranty consideration should first contact VersaHitch® to obtain a RGA number (610-701-3336). All labor, removal, shipping and installation costs are customer's responsibility.

Other Limitations - Exclusion of Damages - Your Rights Under State Law:

In consideration of the purchase price paid, neither VersaHitch® nor any independent VersaHitch® distributor/licensee are responsible for any time loss, rental costs, or for any incidental, consequential, punitive or other damages you may have or incur in connection with any part or product purchased. Your exclusive remedy hereunder for covered parts is repair/replacement as described above.

This **Limited Warranty** gives you specific rights. You may also have other rights that vary from state to state. For example, some states do not allow limitations of how long an implied warranty lasts and /or do not allow the exclusion or limitation of incidental or consequential damages, so the limitations and exclusions herein may not apply to you.

©VersaHitch® 2015. All Rights Reserved.
6.08.15 LTR Version

Instruction Booklet #12999.3028



US PATENT 8562013