

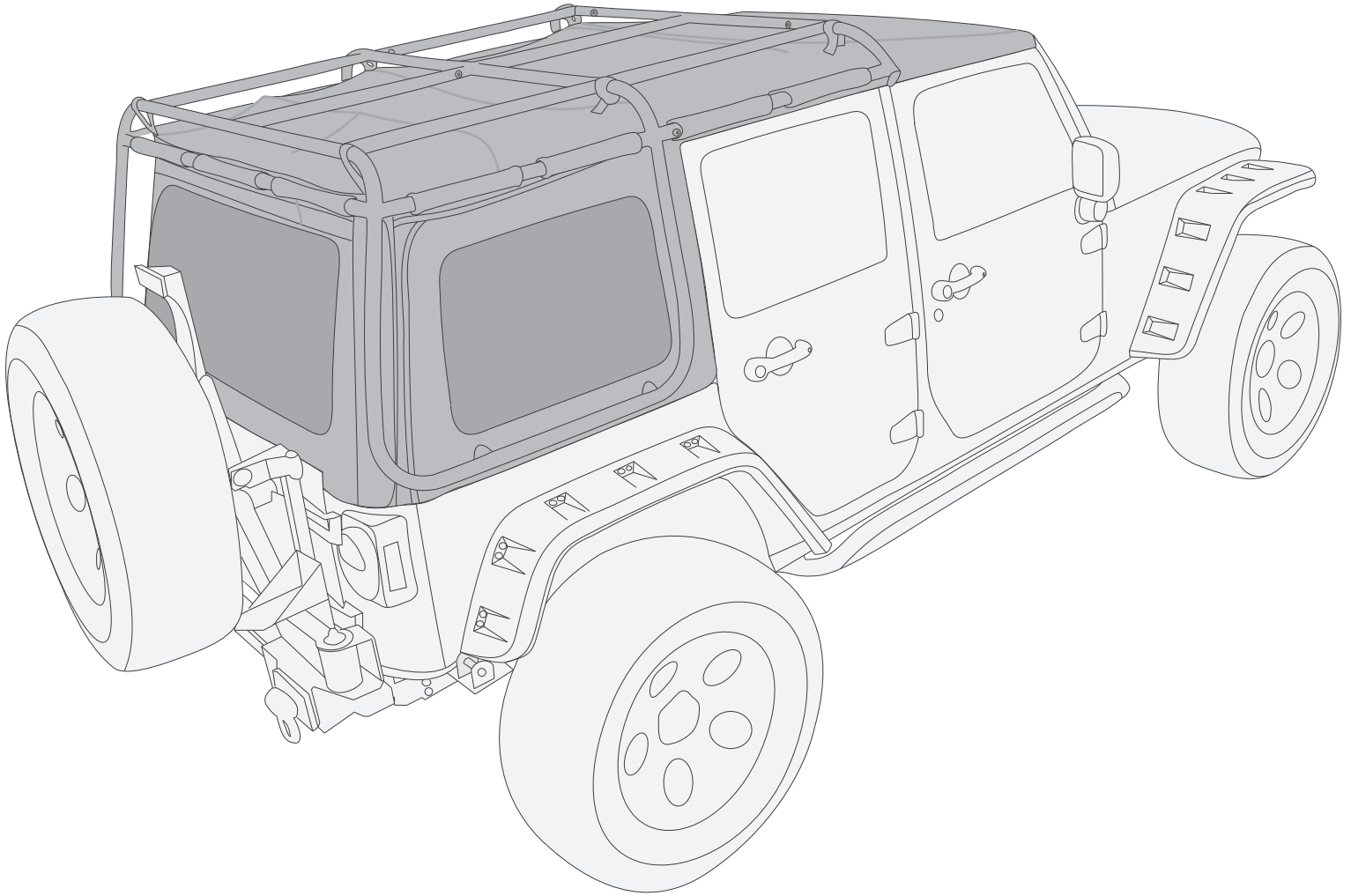


OMIX-ADA, Inc.

460 HORIZON DR. SUITE 400 | SUWANEE, GA 30024 | PHONE: 770-614-6101 | FAX: 770-614-6069 | info@omix-ada.com

13516.02

## 4-Door EXO-Top Roof Rack System



### **! WARNING**

The EXO-Top Roof Rack System is rated to a dynamic 300 lb, evenly distributed load. Further loading could result in serious injury or death.

### **NOTICE**

Minor weeping may occur after first rain, as fabric will adjust to moisture. See maintenance for further instructions.



This symbol will indicate parts that are in the video. Go to <http://www.ruggedridge.com/jeep-accessories/jeep-soft-tops-and-covers/exo-top.html> for more information on specific install and use instructions.

#### **OMIX-ADA® TECHNICAL SUPPORT**

**PHONE:** M-F 8am - 5pm EST 1-800-449-6649 | **EMAIL:** techsupport@omix-ada.com

**FOR WARRANTY INFORMATION VISIT:** [www.Omix-Ada.com](http://www.Omix-Ada.com)



OMIX-ADA, Inc.

460 HORIZON DR. SUITE 400 | SUWANEE, GA 30024 | PHONE: 770-614-6101 | FAX: 770-614-6069 | info@omix-ada.com

## Table of Contents

Important Safety Information	(3)
Components List	(4)
Section A - Preparing for Installation; Removal of Factory Top	(8)
Section B - Cage Assembly and Installation	(11)
Section C - Surrounds Assembly and Installation	(13)
Section D - Bow and Slider Assembly and Installation	(14)
Section E - Soft Top Assembly and Installation	(19)
Operating Procedure	(25)
Care and Maintenance	(31)



OMIX-ADA, Inc.

460 HORIZON DR. SUITE 400 | SUWANEE, GA 30024 | PHONE: 770-614-6101 | FAX: 770-614-6069 | info@omix-ada.com

## Important Information - Before You Begin

Your Rugged Ridge® Exo-Top is intended to increase the utility and enjoyment of your vehicle. Before installation, please take a moment to review the following safety information and installation instructions. Important safety information is generally preceded by one of three signal words indicating the relative risk of injury. The signal words mean:

**WARNING** A hazardous situation which, if not avoided, could result in death or serious injury. You CAN be killed or seriously hurt if you don't follow instructions.

**CAUTION** A hazardous situation which, if not avoided, could result in minor or moderate injury. You CAN be moderately hurt and also may suffer property damage if you don't follow instructions.

**NOTICE** Careful attention is required to this instruction or operation but does not generally relate to personal injury. Damage to your product or other property may result if you don't follow instructions.

We hope you enjoy your Rugged Ridge® purchase and are here to help if you still have questions after reviewing this safety information and instructions. See Customer Service contacts included with your Limited Warranty.

**NOTICE** These parts are required for all Hardtop owners:

Header - 68049276AB  
 Tailgate Bar - 55395757AC  
 Tailgate Bar Retainer, RH - 55395760AB  
 Tailgate Bar Retainer, LH - 55395761AB

Before beginning, please review the suggested list of tools required for install to ensure a prepared and smooth install of your Rugged Ridge® Exo-Top:

- Phillips Head Screwdriver
- Flat Head Screwdriver
- Allen Keys (5 and 6mm)
- 13mm Socket
- T30 Torx Bit
- Socket Wrench
- Torque Wrench
- Marker
- Hobby Knife
- Black Sealant (Permatex® or similar)

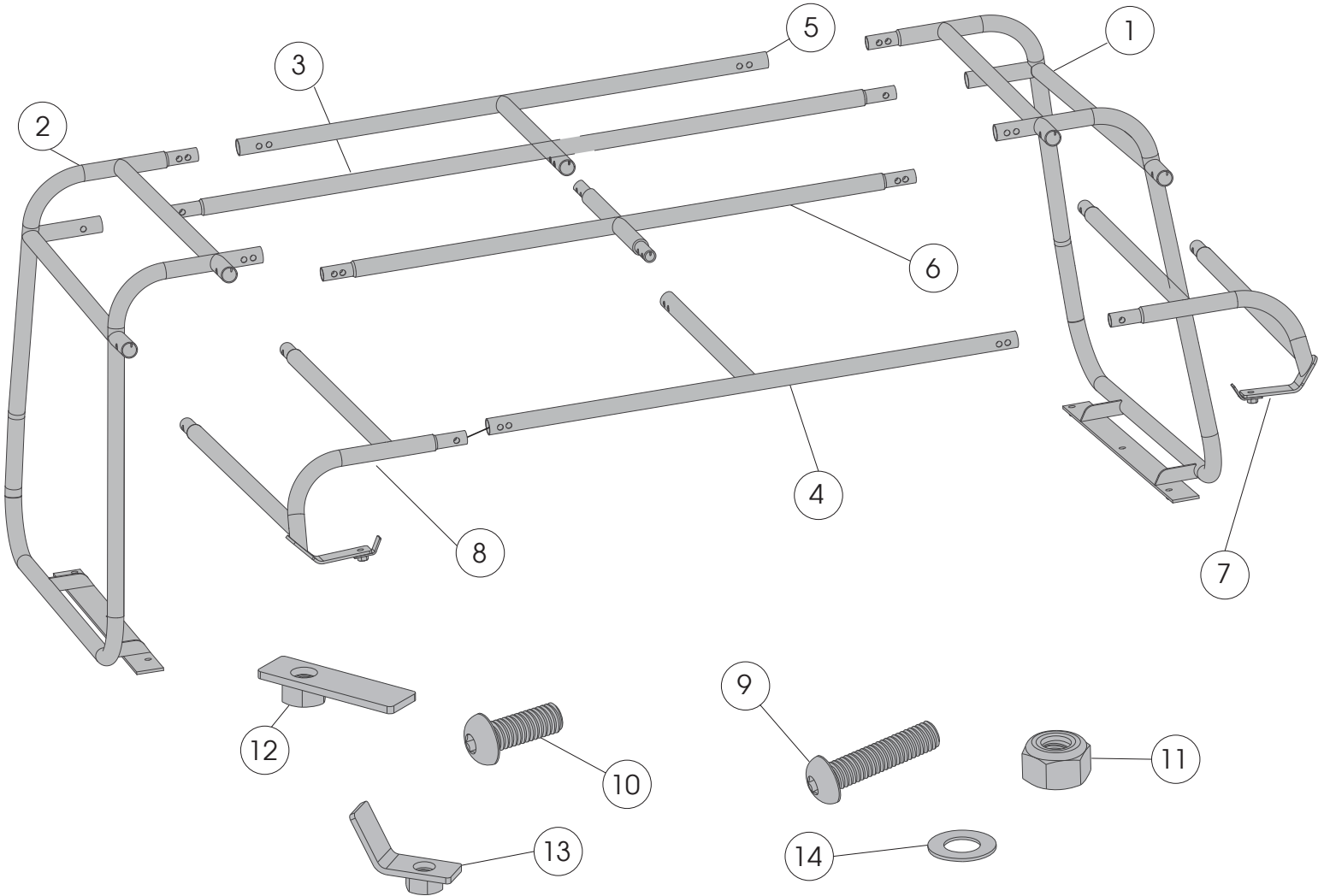


OMIX-ADA, Inc.

460 HORIZON DR. SUITE 400 | SUWANEE, GA 30024 | PHONE: 770-614-6101 | FAX: 770-614-6069 | info@omix-ada.com

# Components List

**NOTICE** Ensure all components and hardware are provided before beginning installation process.



## Cage Assembly

## Cage Hardware

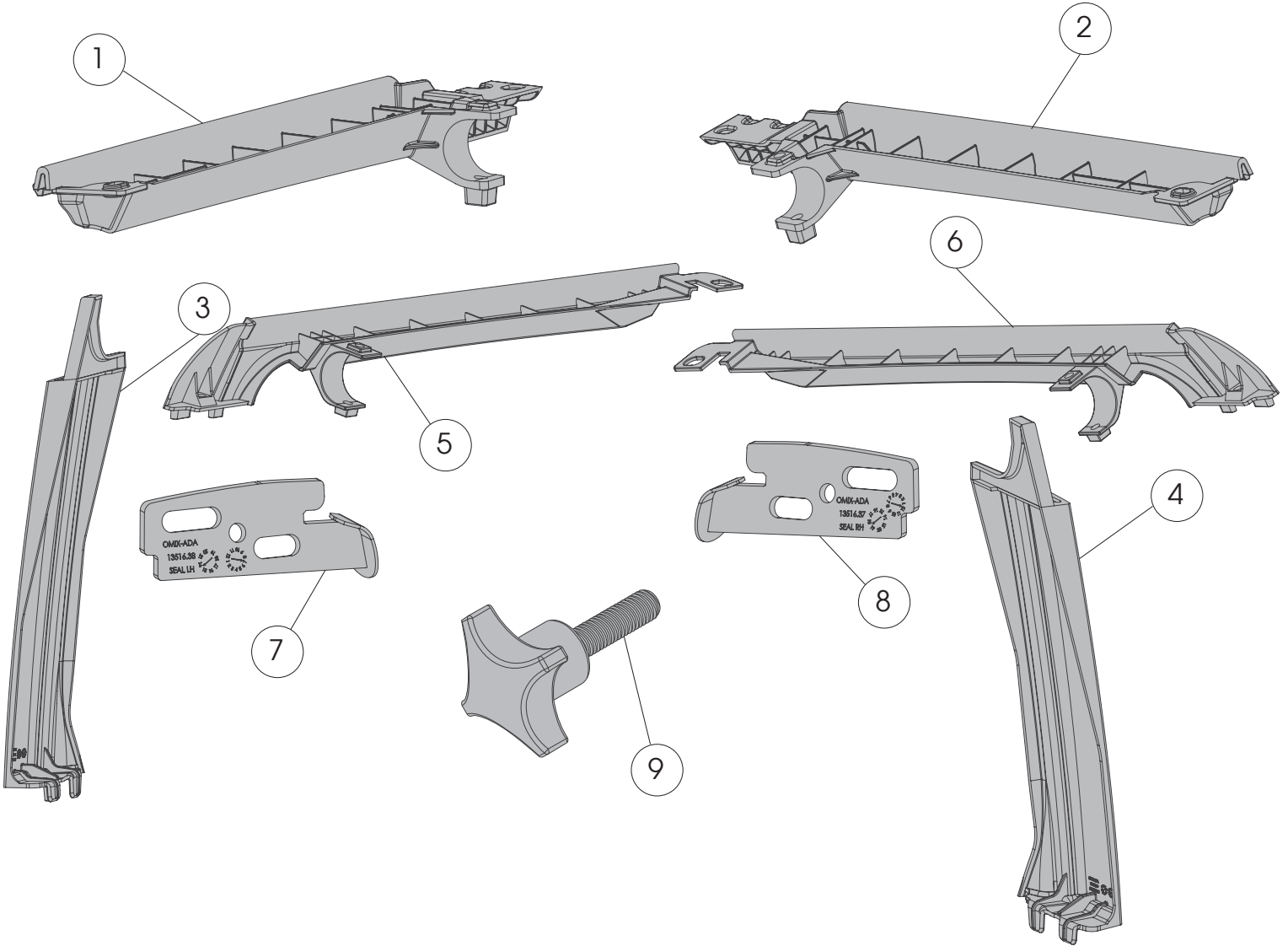
- |                       |     |                                     |      |
|-----------------------|-----|-------------------------------------|------|
| 1. Cage Base, LH      | (1) | 9. M8x40 Button Head Bolt           | (24) |
| 2. Cage Base, RH      | (1) | 10. M10x25 Button Head Bolt         | (8)  |
| 3. Rear Cage Bar      | (1) | 11. M8 Nylon Hex Nut                | (24) |
| 4. T Bar, Front       | (1) | 12. Nut Plate, Flat - M10 Hex Nut   | (6)  |
| 5. T Bar, Rear        | (1) | 13. Nut Plate, Angled - M10 Hex Nut | (2)  |
| 6. Center Cross Bar   | (1) | 14. M10 Washer                      | (8)  |
| 7. Front Side Bar, LH | (1) |                                     |      |
| 8. Front Side Bar, RH | (1) |                                     |      |



OMIX-ADA, Inc.

460 HORIZON DR. SUITE 400 | SUWANEE, GA 30024 | PHONE: 770-614-6101 | FAX: 770-614-6069 | info@omix-ada.com

# Components List



## Surrounds Assembly

## Surrounds Hardware

- 1. Front Surround, LH (1)
- 2. Front Surround, RH (1)
- 3. Rear Lower Surround, LH (1)
- 4. Rear Lower Surround, RH (1)
- 5. Rear Upper Surround, LH (1)
- 6. Rear Upper Surround, RH (1)
- 7. Seal, LH (1)
- 8. Seal, RH (1)

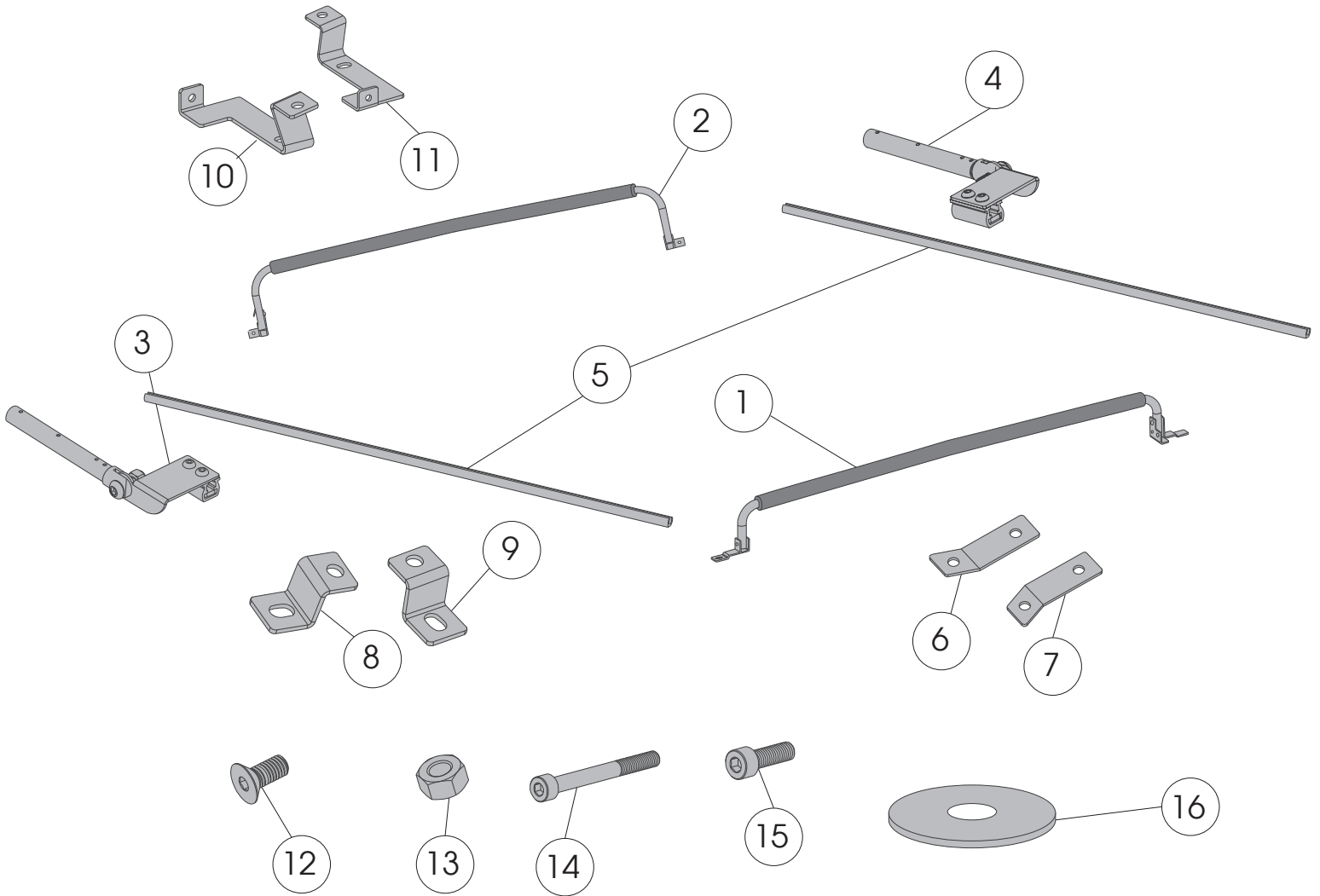
- 9. M8x30 Knob (2)



OMIX-ADA, Inc.

460 HORIZON DR. SUITE 400 | SUWANEE, GA 30024 | PHONE: 770-614-6101 | FAX: 770-614-6069 | info@omix-ada.com

# Components List



## Slider System Assembly

- 1. Front Bow Assembly (1)
- 2. Rear Bow Assembly (1)
- 3. Slider Carriage Assembly, LH (1)
- 4. Slider Carriage Assembly, RH (1)
- 5. Rail (2)

## Slider System Hardware

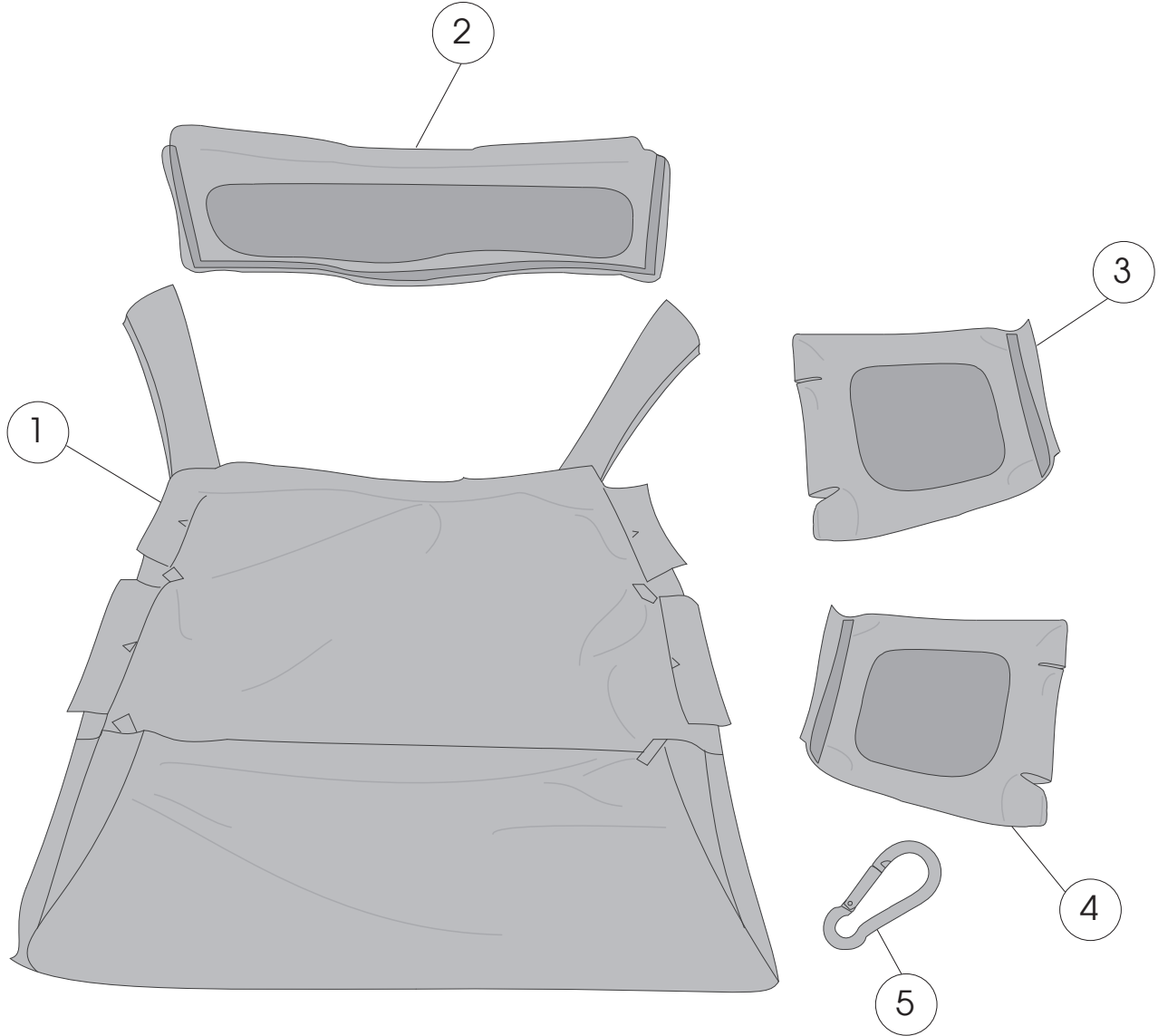
- 6. Front Surround Bracket, RH (1)
- 7. Front Surround Bracket, LH (1)
- 8. Mid-Rail Bracket, RH (1)
- 9. Mid-Rail Bracket, LH (1)
- 10. Rear Rail Bracket, RH (1)
- 11. Rear Rail Bracket, LH (1)
- 12. M8x18 Flathead Bolt (6)
- 13. M8 Nylon Lock Nut (6)
- 14. M8x70 Socket Cap Bolt (4)
- 15. M8x25 Socket Cap Bolt (2)
- 16. M8 Washer (6)



OMIX-ADA, Inc.

460 HORIZON DR. SUITE 400 | SUWANEE, GA 30024 | PHONE: 770-614-6101 | FAX: 770-614-6069 | info@omix-ada.com

# Components List



## Soft Top Assembly

## Soft Top Hardware

- |                    |     |                                      |     |
|--------------------|-----|--------------------------------------|-----|
| 1. Soft Top Fabric | (1) | 5. Release Clips (Carabiner) 1.5" ID | (2) |
| 2. Rear Window     | (1) |                                      |     |
| 3. Side Window, LH | (1) |                                      |     |
| 4. Side Window, RH | (1) |                                      |     |



OMIX-ADA, Inc.

460 HORIZON DR. SUITE 400 | SUWANEE, GA 30024 | PHONE: 770-614-6101 | FAX: 770-614-6069 | info@omix-ada.com

## Section A - Preparing for Installation; Removal of Factory Top

### Tools Needed:

- | Phillips head screw driver
- | Torx bit socket wrench (T30)

**NOTICE** Carefully read and understand all instructions before proceeding. We recommend you save all parts and hardware if you ever choose to re-install the factory top.

1. **Soft Top owners:** Refer to owners' manual for instructions on lowering factory top. Once lowered, unscrew shoulder bolts fastening it to vehicle's roll bars. Remove canvas from assembly.

**Hard Top owners:** Refer to owners' manual for instruction on removing factory hard top. Skip to STEP 4 once hard top is removed.

Hardtop owners will need to purchase a factory header, tailgate bar, and tailgate bar retainers (LH, RH).

**NOTICE** These factory parts are required:

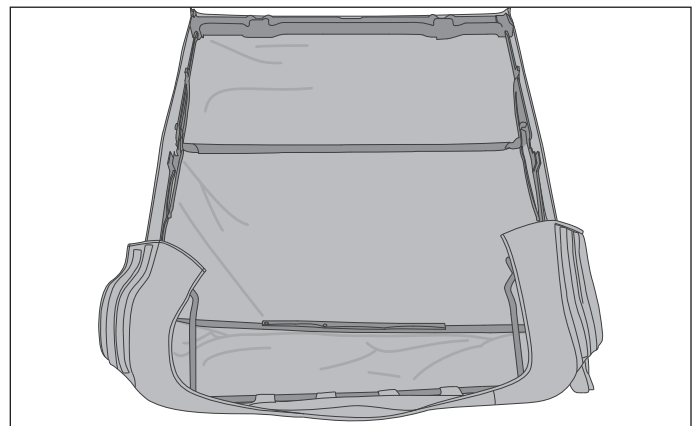
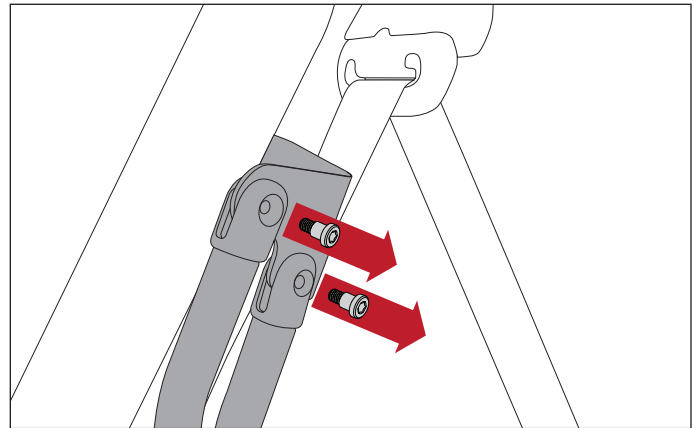
Header - 68049276AB

Tailgate Bar - 55395757AC

Tailgate Bar Retainer, RH - 55395760AB

Tailgate Bar Retainer, LH - 55395761AB

**Note:** After removing header and factory soft top, place assembly on ground as shown on right.





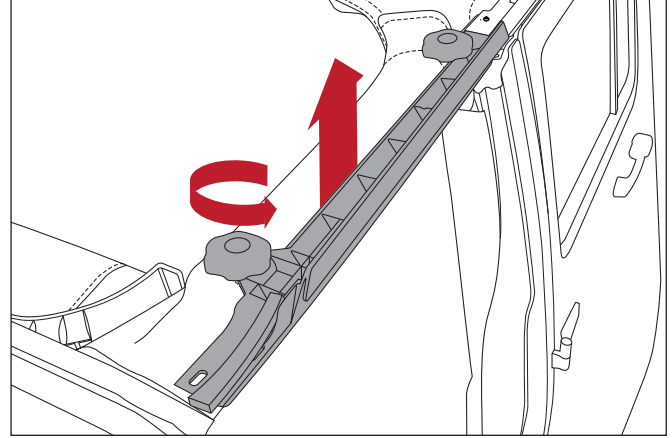


OMIX-ADA, Inc.

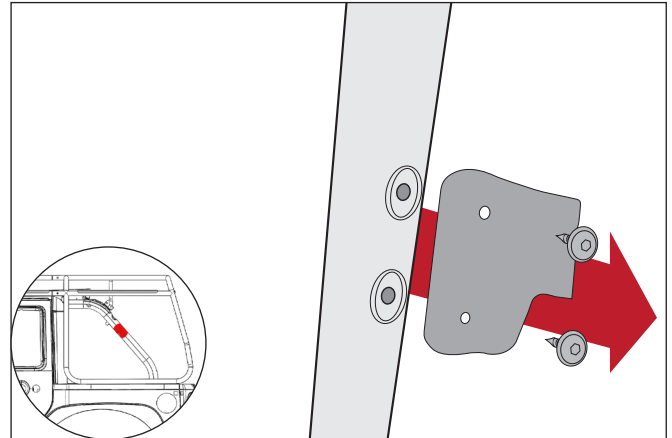
460 HORIZON DR. SUITE 400 | SUWANEE, GA 30024 | PHONE: 770-614-6101 | FAX: 770-614-6069 | info@omix-ada.com

## Section A - Preparing for Installation; Removal of Factory Top

2. Remove front and rear door surrounds from each side of vehicle.

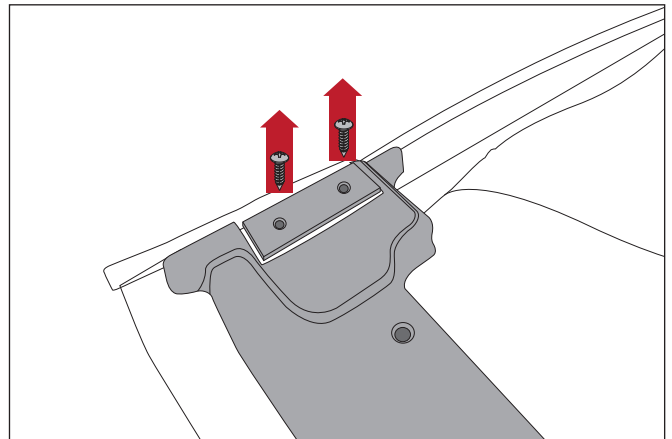


3. Remove metal soft top mounting brackets attached to roll bar in cargo area.



4. Remove screws from underside of header at each end that attaches fabric tabs.

**NOTICE** Do not discard screws, they are reused in later steps.



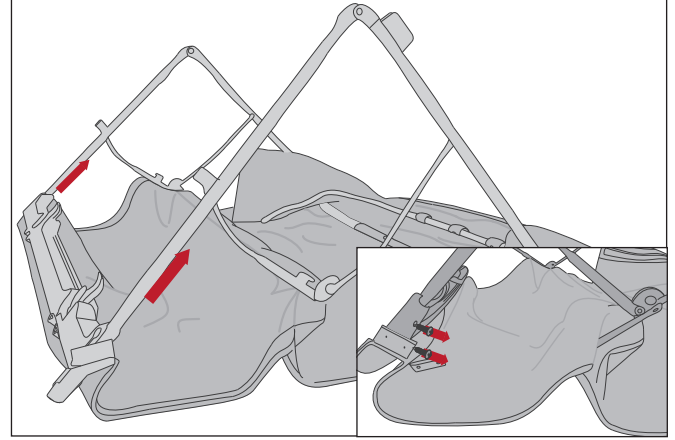


OMIX-ADA, Inc.

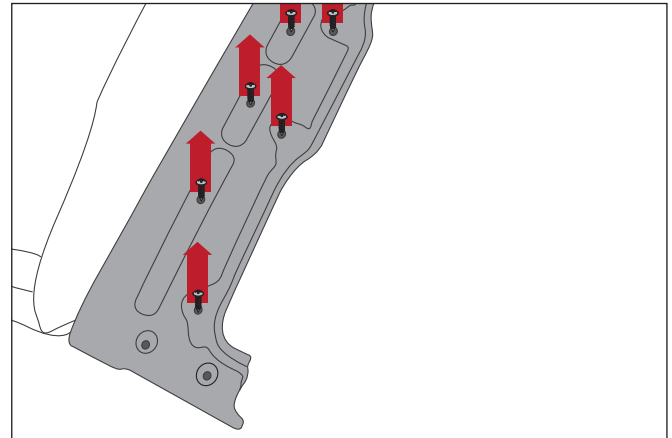
460 HORIZON DR. SUITE 400 | SUWANEE, GA 30024 | PHONE: 770-614-6101 | FAX: 770-614-6069 | info@omix-ada.com

## Section A - Preparing for Installation; Removal of Factory Top

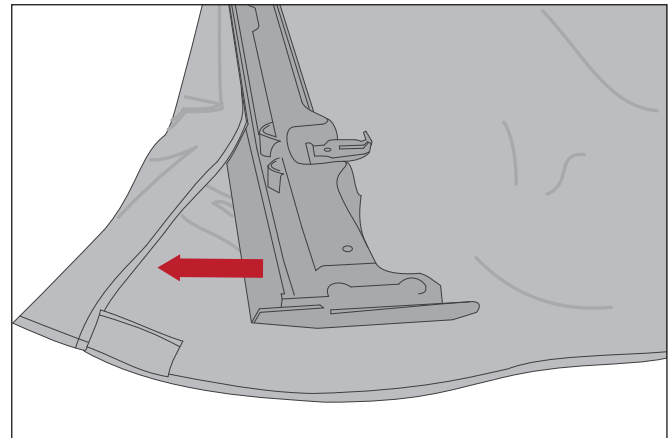
5. Flip header and fabric and remove screws from top of header at each end. You will now be able to remove OE soft top frame.



6. Loosen all screws from top side of header. Do not remove completely.



7. Release fabric from header. Keep header and all hardware for soft top installation.





OMIX-ADA, Inc.

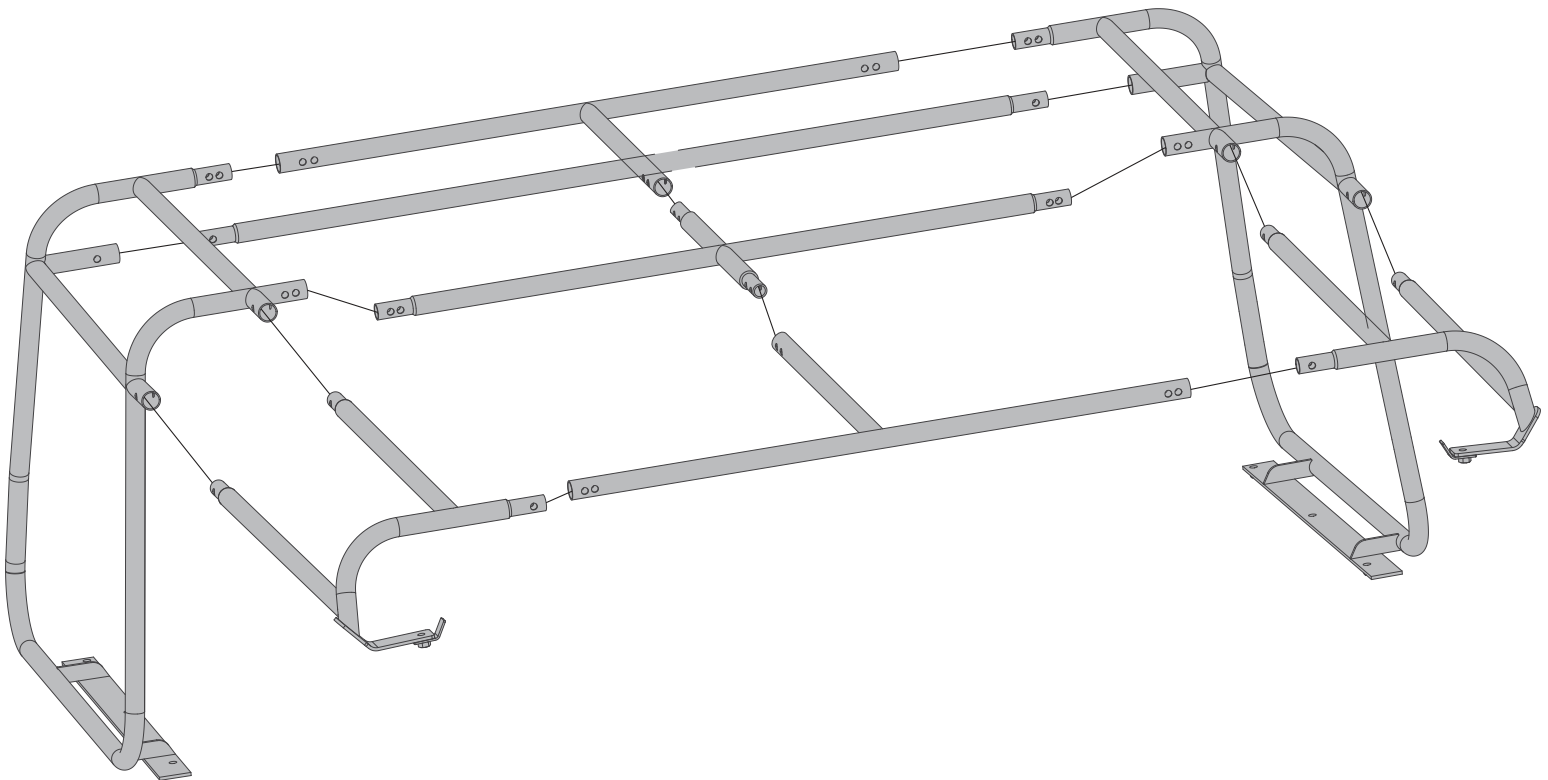
460 HORIZON DR. SUITE 400 | SUWANEE, GA 30024 | PHONE: 770-614-6101 | FAX: 770-614-6069 | info@omix-ada.com

## Section B - Cage Assembly and Installation

### Tools Needed:

- | 5mm, 6mm Allen Keys
- | 13mm Socket
- | Torque Wrench
- | Sealant (black Permatex, or similar)

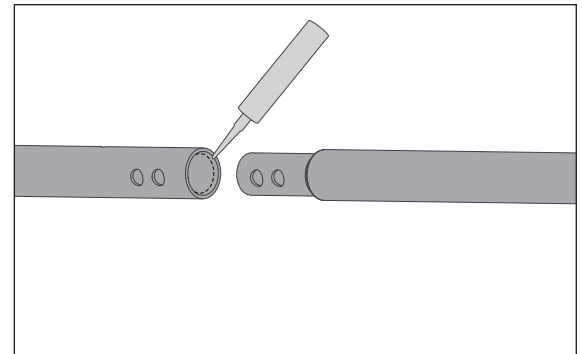
**NOTICE** Carefully read and understand all instructions before proceeding. Ensure all components and hardware are provided before beginning. We recommend two people for this installation.



1. Assemble cage as shown in diagram above, adding sealant to all joints, as shown on right.

2. Insert M8 bolts to joint areas, securing with M8 Nylon Hex Nuts

**NOTICE** Do not fully tighten bolts at this time to allow for adjustments for correct fitment to vehicle.





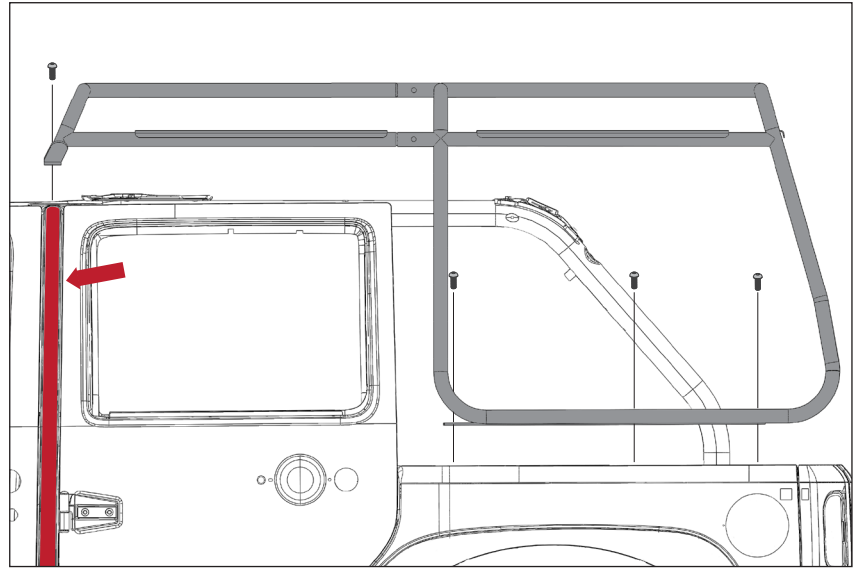
OMIX-ADA, Inc.

460 HORIZON DR. SUITE 400 | SUWANEE, GA 30024 | PHONE: 770-614-6101 | FAX: 770-614-6069 | info@omix-ada.com

## Section B - Cage Assembly and Installation

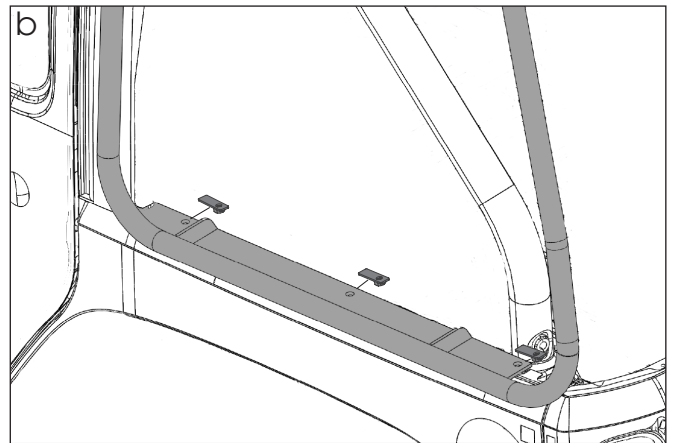
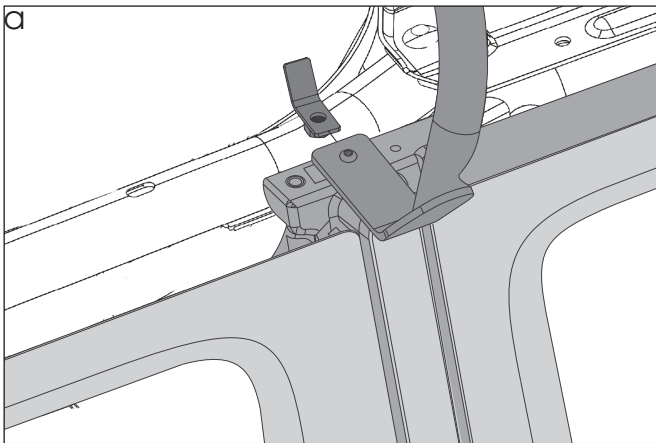
3. Align rear cage brackets with bolt holes on tub.

4. Center Side Bar brackets with B pillar, indicated by arrow on right.



5. Attach cage to frame using provided M10 bolts and nutplates. Angled nutplates will be used at B pillar as shown in figure a; flat nutplates will attach to cage, as shown in figure b. Fully tighten bolts to 25 lbs.

**CAUTION** Nutplates can fall down B pillar; use tape to cover hole when installing this bolt.





OMIX-ADA, Inc.

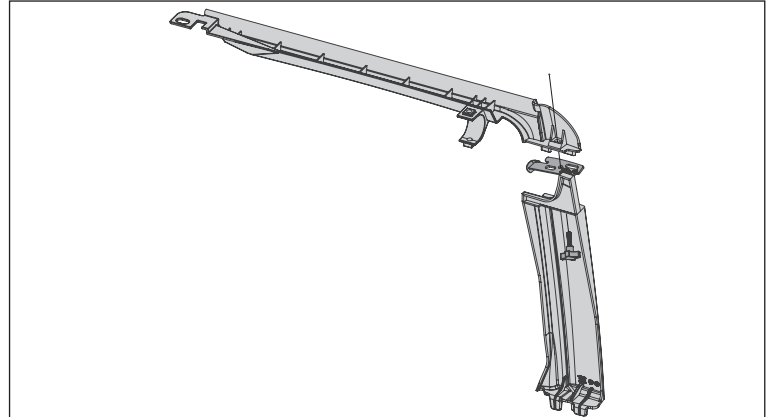
460 HORIZON DR. SUITE 400 | SUWANEE, GA 30024 | PHONE: 770-614-6101 | FAX: 770-614-6069 | info@omix-ada.com

## Section C - Surrounds Assembly and Installation

### Tools Needed:

6mm Allen Key

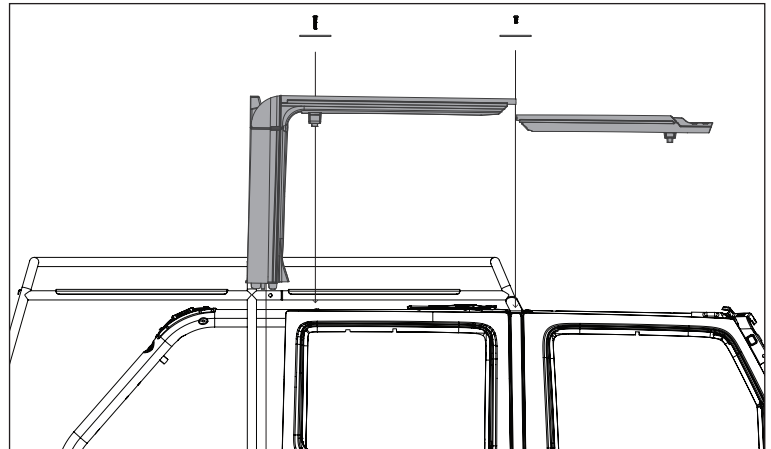
1. Attach rear upper surround to rear lower surround, placing seal in between; secure with provided M8 knob. Repeat for other side.



3. Install front and rear surround assembly onto frame. Front surround will go on first.

4. Bolt rear using long M8 bolt and M8 washer and mid-point using short M8 bolt and M8 washer. Front bolt will be installed later.

5. Repeat for other side.





OMIX-ADA, Inc.

460 HORIZON DR. SUITE 400 | SUWANEE, GA 30024 | PHONE: 770-614-6101 | FAX: 770-614-6069 | info@omix-ada.com

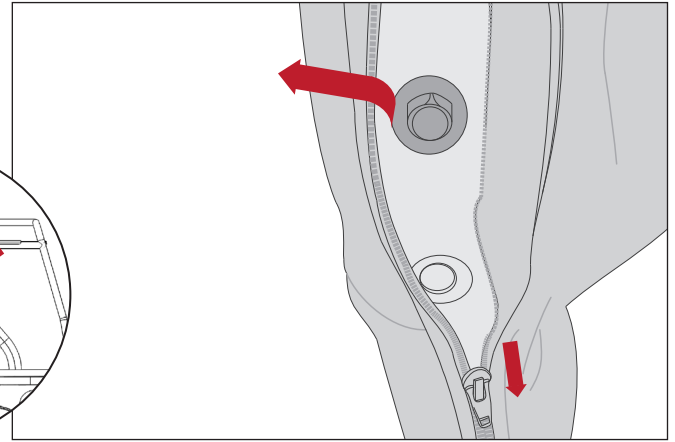
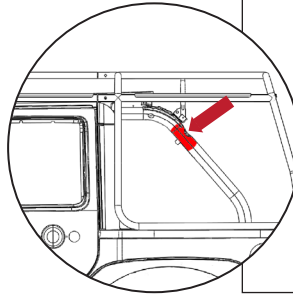
## Section D - Bow and Slider Installation

### Tools Needed:

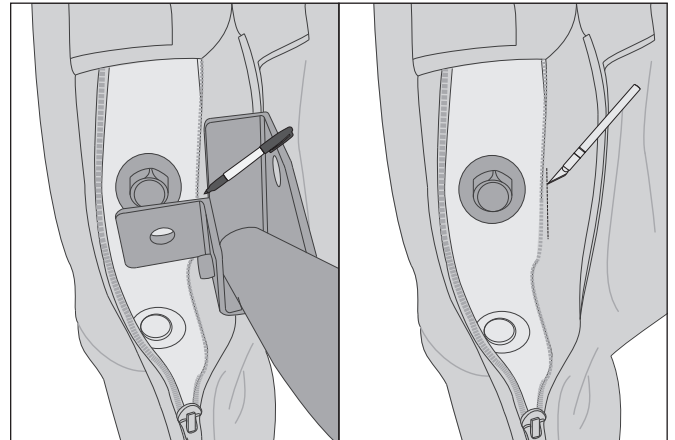
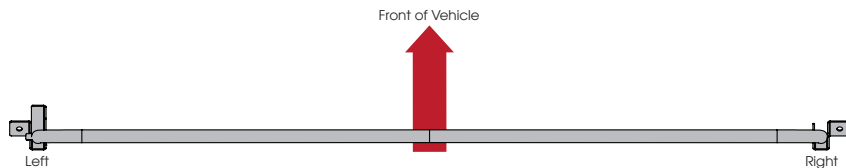
- | 5mm, 6mm Allen Keys
- | 13mm Socket Wrench
- | Marker
- | Hobby Knife

**NOTICE** Carefully read and understand all instructions before proceeding. We recommend two people for this installation.

1. Unzip rear rollbar cover past curved point and remove bolt; retain bolt and washer for later use. Location of bolt is indicated by arrow shown below.



2. Align rear bow assembly, as shown on below, with mounting bolts on rear roll bar, mark line approximately 2" on fabric, and make cut to accept mounting tab of rear bow assembly. Repeat for other side.

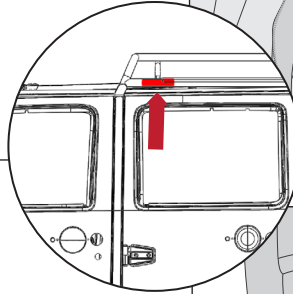
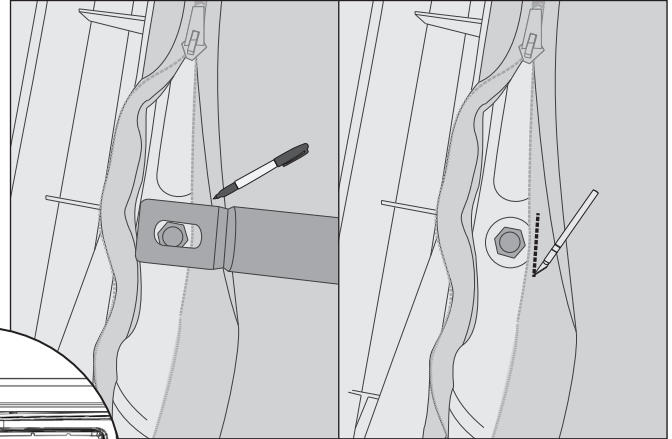
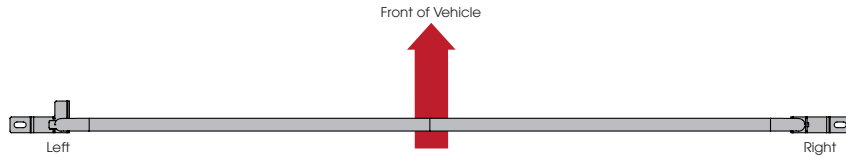




460 HORIZON DR. SUITE 400 | SUWANEE, GA 30024 | PHONE: 770-614-6101 | FAX: 770-614-6069 | info@omix-ada.com

## Section D - Bow and Slider Installation

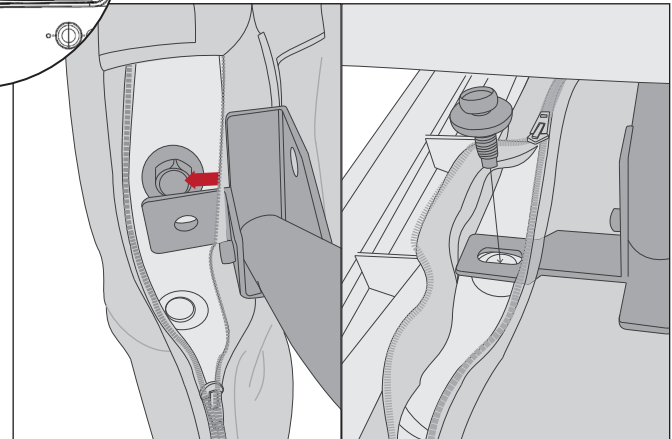
3. Align front bow assembly, as shown below, with mounting bolts on front roll bar, mark line approximately 2" on fabric, and make cut to accept mounting holes of front bow assembly. Repeat for other side.



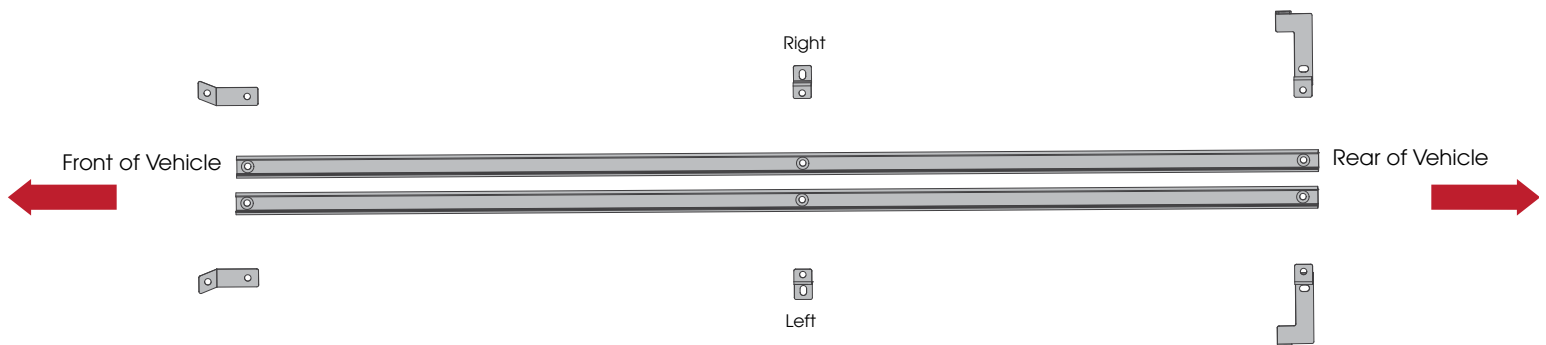
4. Install front and rear bow assemblies to rollbar using factory bolts.

**NOTICE** Test quick release function on bow before moving to next step.

**NOTICE** For right hand drive vehicles, front bow assembly can be reversed so quick release is on right side for ease of operation.



7. Align rail brackets with correct side and placement on rails and loosely attach with M8 Flathead bolts. The distance between front and middle holes will be greater than middle to rear.



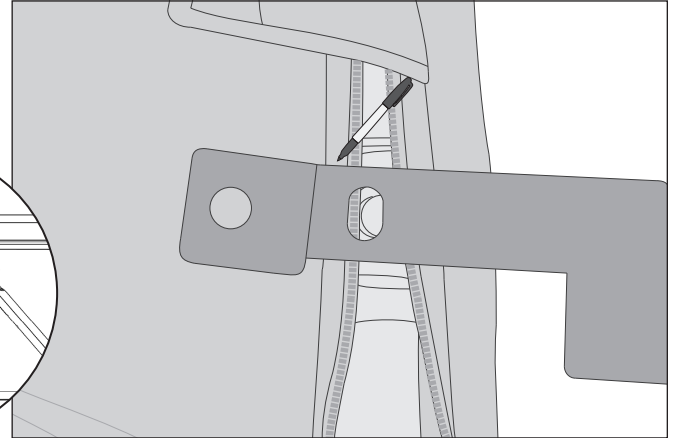
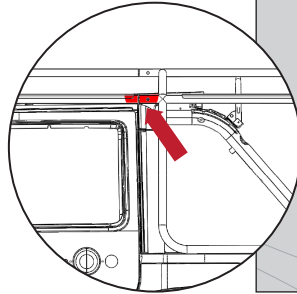


OMIX-ADA, Inc.

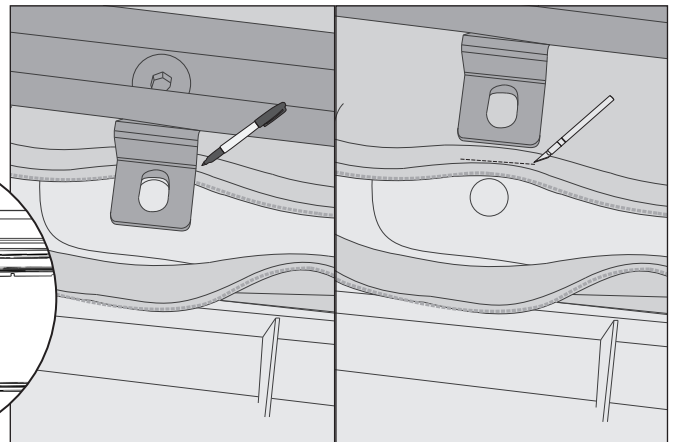
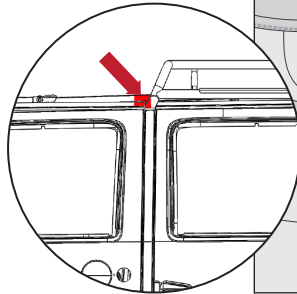
460 HORIZON DR. SUITE 400 | SUWANEE, GA 30024 | PHONE: 770-614-6101 | FAX: 770-614-6069 | info@omix-ada.com

## Section D - Bow and Slider Installation

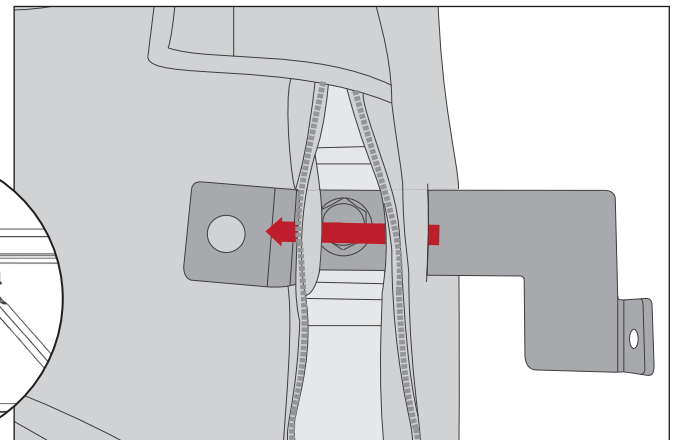
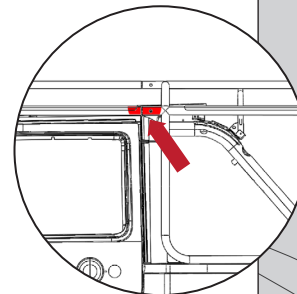
5. Align rear rail bracket on rear rollbar mounting bolt, mark line approximately 2" on fabric, and make cut to accept rear mounting holes of rail assembly. Repeat for other side.



8. Align mid-rail bracket with middle mounting bolt on rollbar, mark line approximately 2" on fabric and cut middle points for rail installation.



6. Install rail assembly. Slide brackets through rollbar pad from outside of vehicle as shown on right and attach using provided M8 Long Socket Cap Bolt.





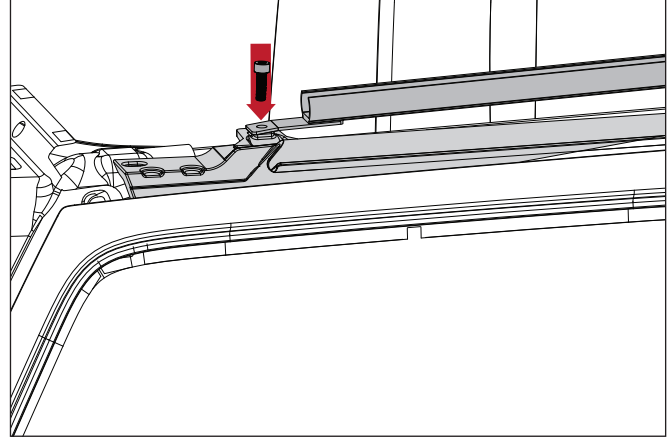


OMIX-ADA, Inc.

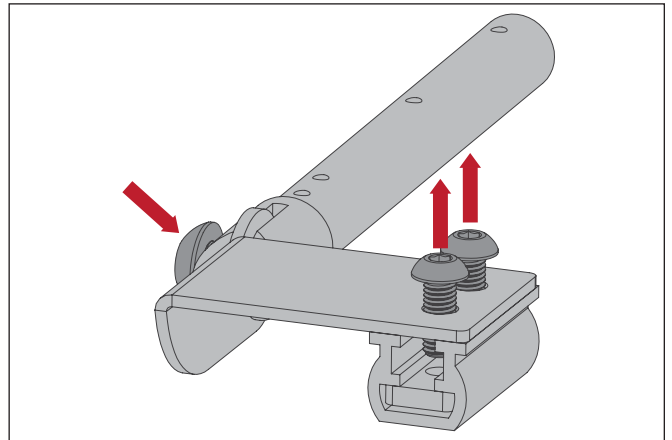
460 HORIZON DR. SUITE 400 | SUWANEE, GA 30024 | PHONE: 770-614-6101 | FAX: 770-614-6069 | info@omix-ada.com

## Section D - Bow and Slider Installation

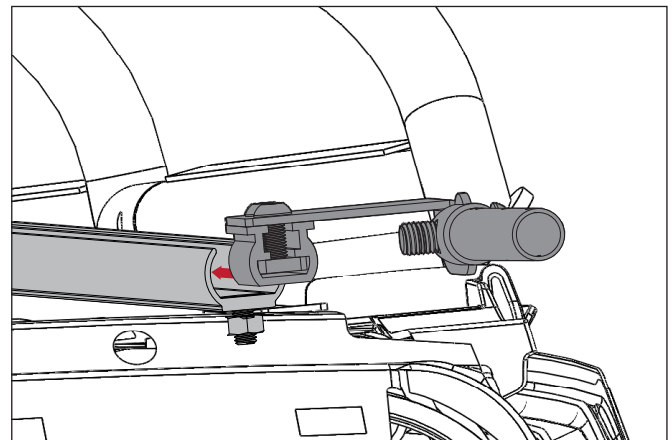
9. Install front mounting hole of rail using provided M8 Short Socket Cap Bolt.



10. Loosen Allen bolts to allow for testing of fitment. Bolt on side will need to be tightened.



11. Install slider carriage to rail. Cycle slider carriage through rail and adjust bolts as necessary to ensure easy sliding.



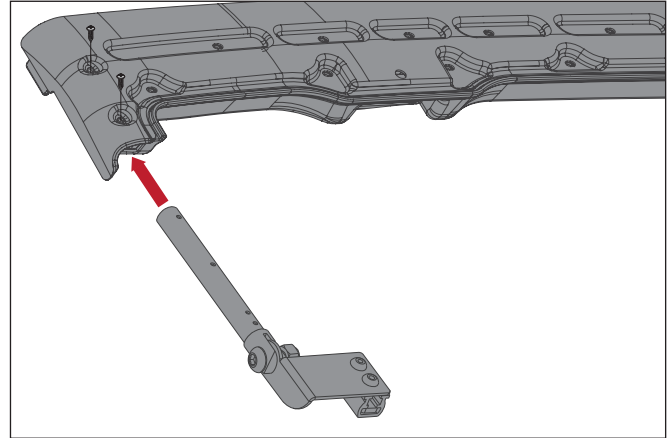


OMIX-ADA, Inc.

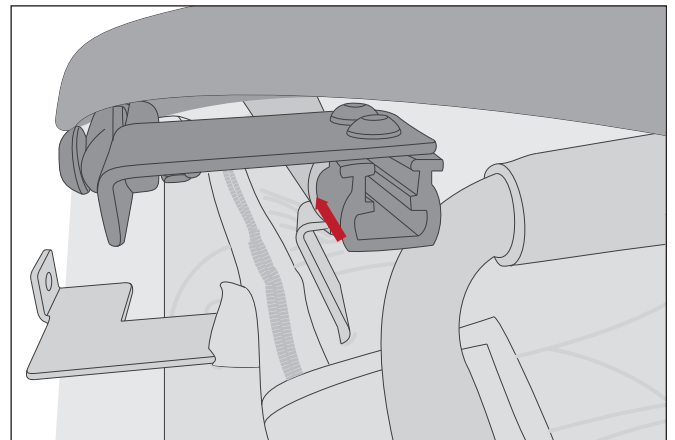
460 HORIZON DR. SUITE 400 | SUWANEE, GA 30024 | PHONE: 770-614-6101 | FAX: 770-614-6069 | info@omix-ada.com

## Section D - Bow and Slider Installation

12. Install slider carriage assembly to header using factory screws from top of header; slider carriage assembly will face inward as shown. Do not install lower factory screws.



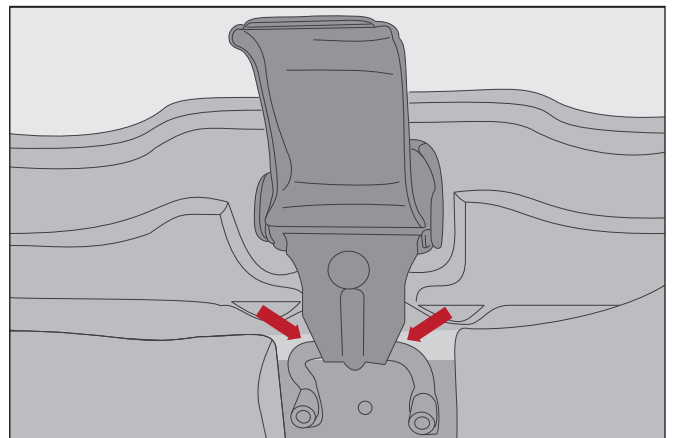
13. Install header-slider carriage assembly to rails from rear of vehicle.



14. Slide header-slider carriage assembly to front of vehicle and latch header hooks. Latch should be centered in middle of loop.

15. Ensuring cage is centered between front and rear surrounds, tighten all surround and rail bolts.

16. Cycle header-slider assembly to ensure smooth operation and correct assembly. Remove header-slider carriage assembly to prepare for soft top installation.





OMIX-ADA, Inc.

460 HORIZON DR. SUITE 400 | SUWANEE, GA 30024 | PHONE: 770-614-6101 | FAX: 770-614-6069 | info@omix-ada.com

## Section E - Soft Top Assembly and Installation

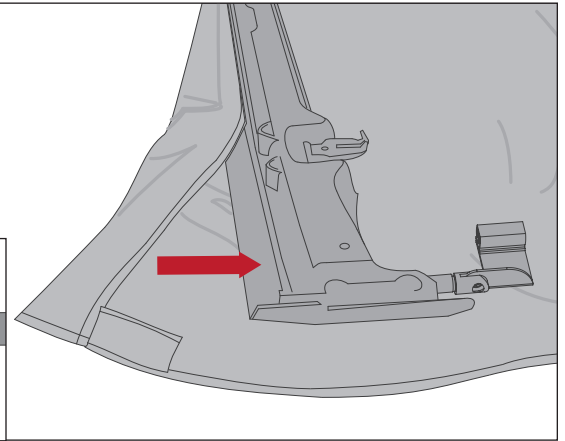
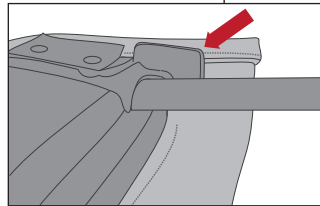
### Tools Needed:

- | Flat head screwdriver
- | Phillips head screwdriver

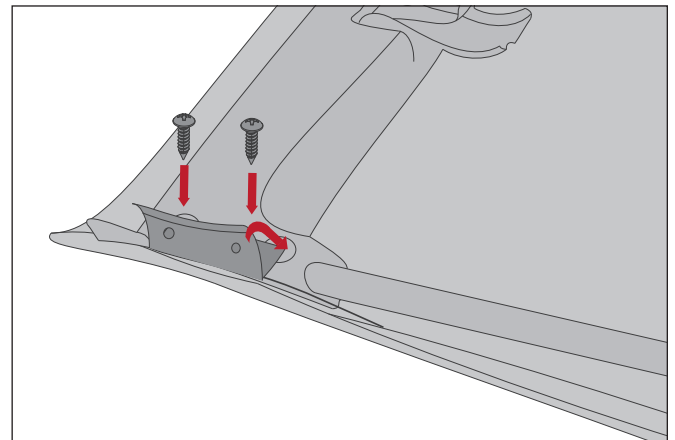
**NOTICE** Carefully read and understand all instructions before proceeding. We recommend two people for this installation.

1. Install Soft Top Fabric to Header; tighten all remaining header screws.

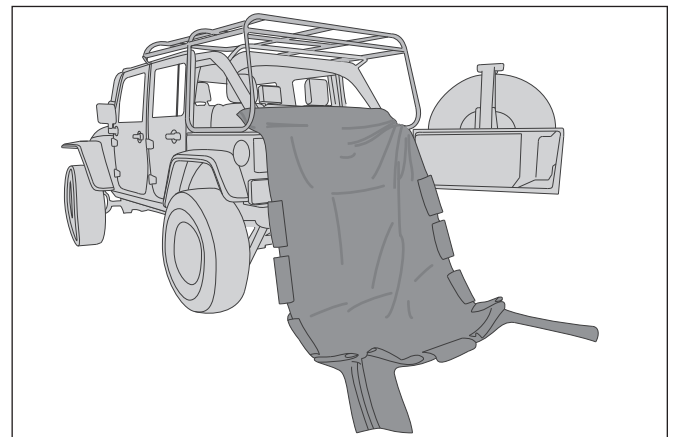
**NOTICE** Ensure channel in soft top has cleared lip in header. Tab on header will remain on outside of fabric as shown on right.



2. Fold fabric flap over metal tab (connected to cable) and attach to header using factory header screws.



3. With help from second person, position header and soft top fabric in rear of vehicle, as shown on right, to prep for installation.



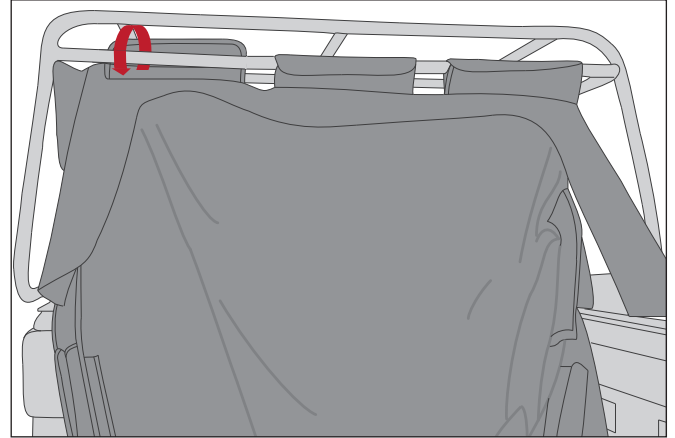


OMIX-ADA, Inc.

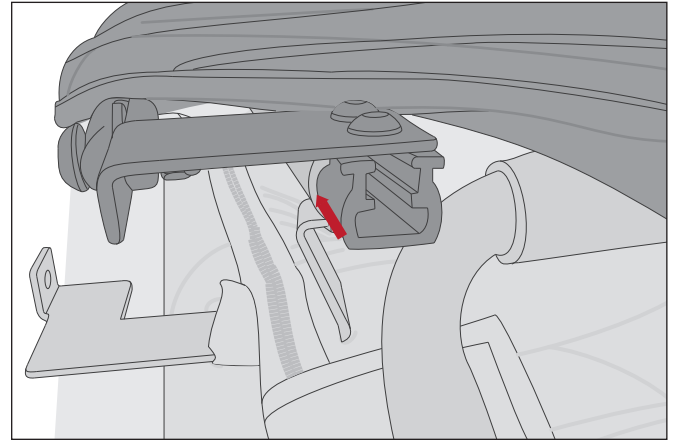
460 HORIZON DR. SUITE 400 | SUWANEE, GA 30024 | PHONE: 770-614-6101 | FAX: 770-614-6069 | info@omix-ada.com

## Section E - Soft Top Assembly and Installation

4. Loosely attach rear Velcro flaps to lower rear bar of cage.

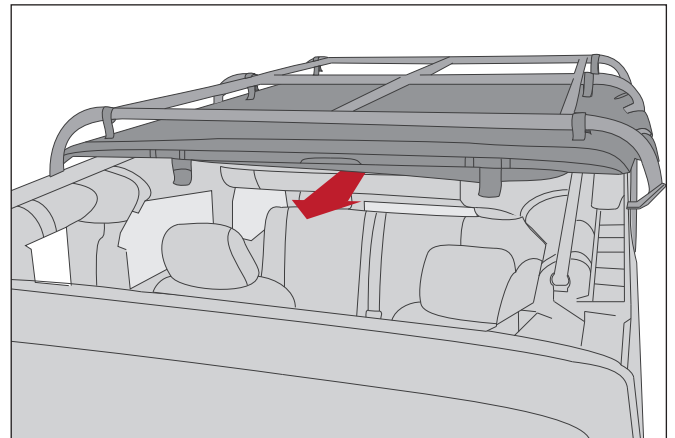


5. With help of second person, slide header-slider carriage assembly into rail.



6. Carefully slide entire assembly to forward to soundbar.

**NOTICE** Slide fabric carefully to avoid snagging.



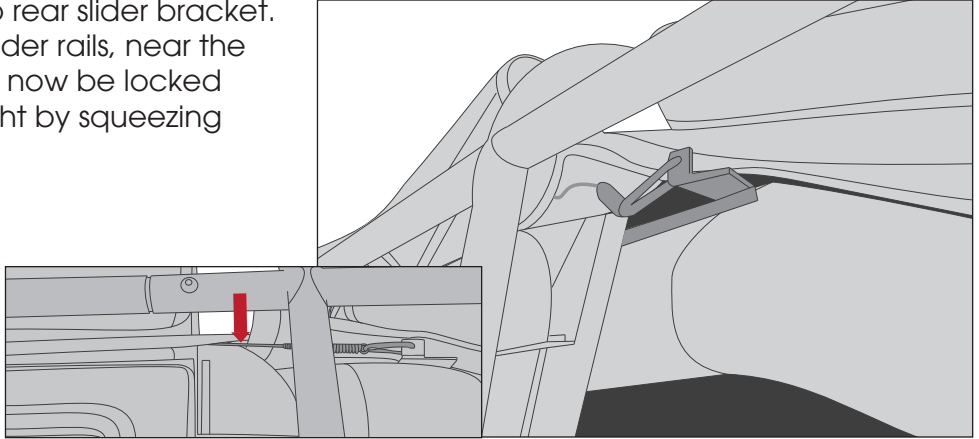


OMIX-ADA, Inc.

460 HORIZON DR. SUITE 400 | SUWANEE, GA 30024 | PHONE: 770-614-6101 | FAX: 770-614-6069 | info@omix-ada.com

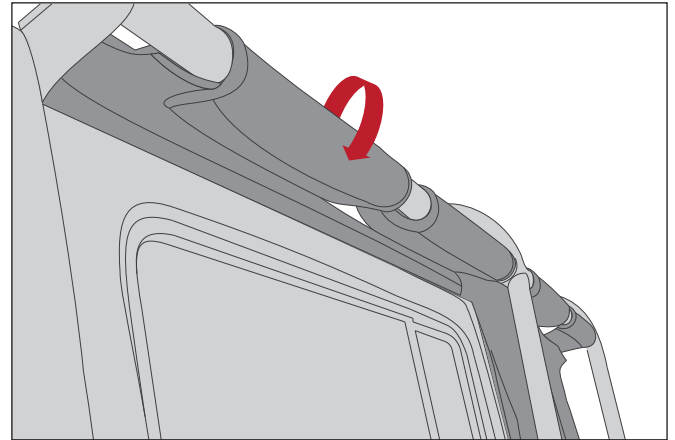
## Section E - Soft Top Assembly and Installation

6. Attach carabiner and spring cable to rear slider bracket. Ensure cable is positioned outside the slider rails, near the rear door, as shown below. Header can now be locked into place. Ensure attachment ring is tight by squeezing ring with pliers

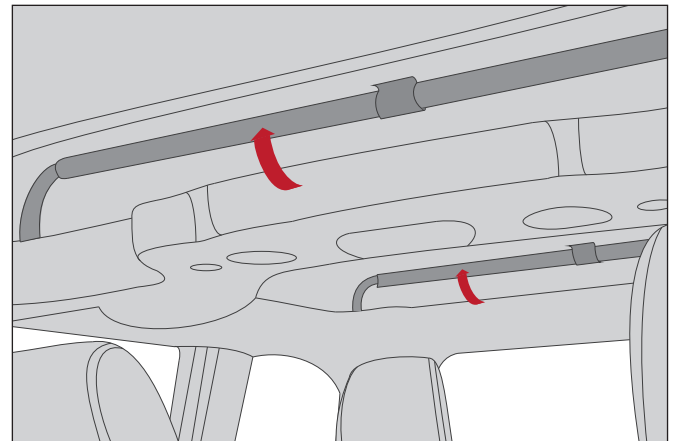


7. Pull header forward and secure to windshield.

8. Loosely attach side Velcro straps.



9. After tightly securing rear Velcro, flip and lock front and rear bow assemblies in upright position. Secure center Velcro strap.



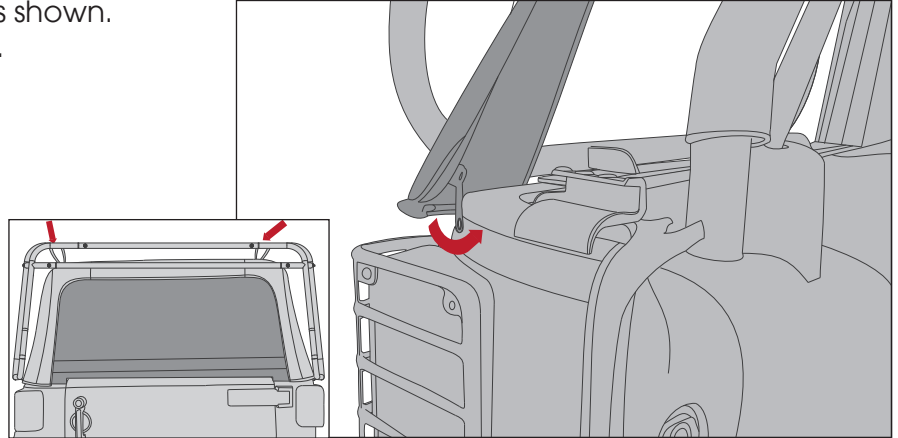


OMIX-ADA, Inc.

460 HORIZON DR. SUITE 400 | SUWANEE, GA 30024 | PHONE: 770-614-6101 | FAX: 770-614-6069 | info@omix-ada.com

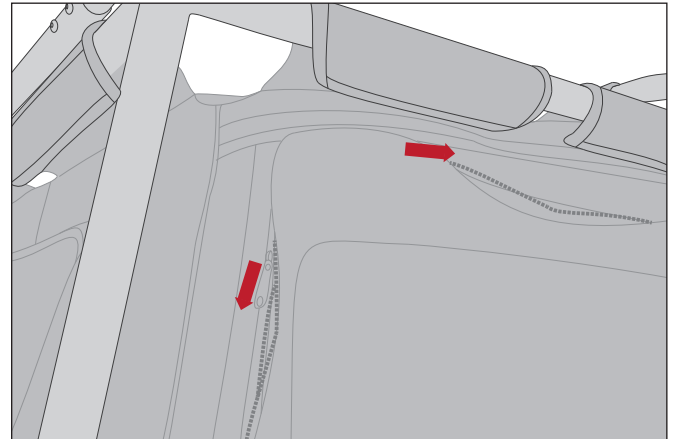
## Section E - Soft Top Assembly and Installation

10. Lock rear fabric into corner of body tub as shown. Tighten top rear Velcro loops to secure fabric.

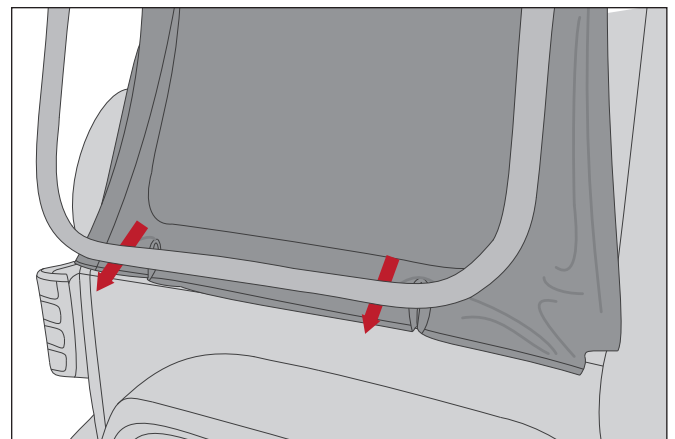


To install side windows:

11. Start rear zipper first, then top zipper, only zipping 3-4 inches.



12. Slide window toward front of vehicle between cage and surrounds. Lower cutouts over support bracket.



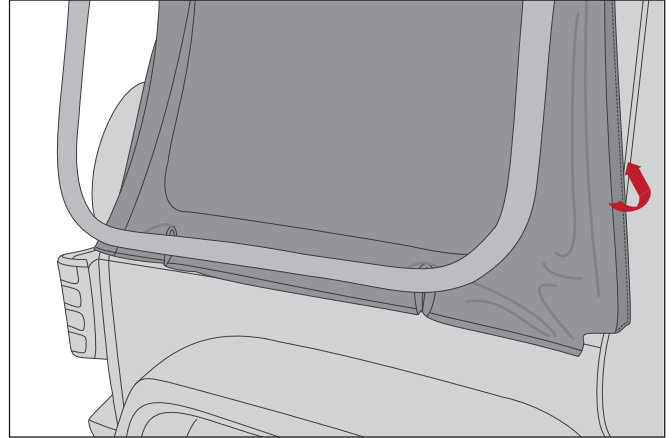


OMIX-ADA, Inc.

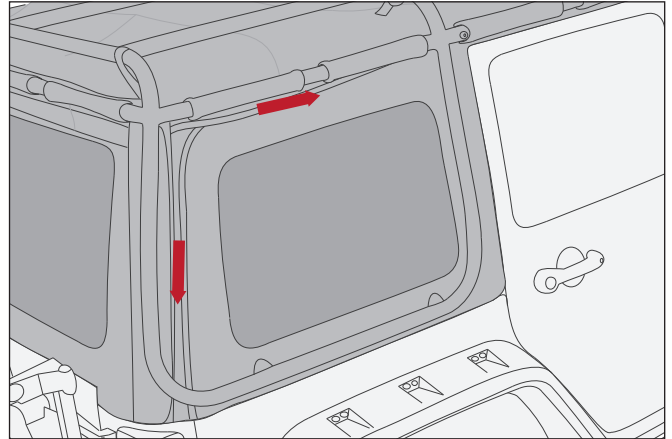
460 HORIZON DR. SUITE 400 | SUWANEE, GA 30024 | PHONE: 770-614-6101 | FAX: 770-614-6069 | info@omix-ada.com

## Section E - Soft Top Assembly and Installation

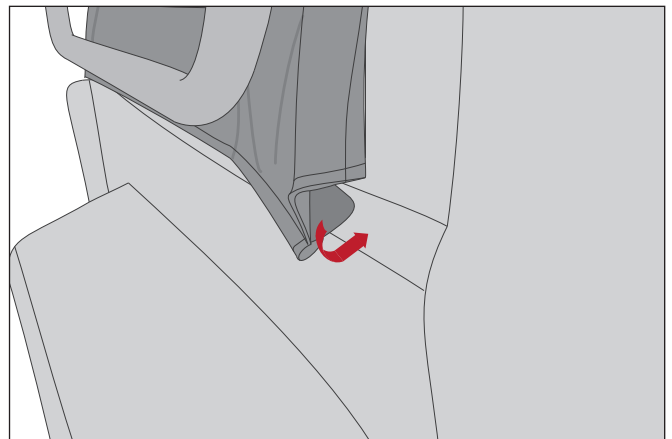
13. Insert side rail plastic retainer by rear door.



14. Fully zip top zipper, then fully zip rear zipper.



15. Insert bottom plastic retainer in body tub.





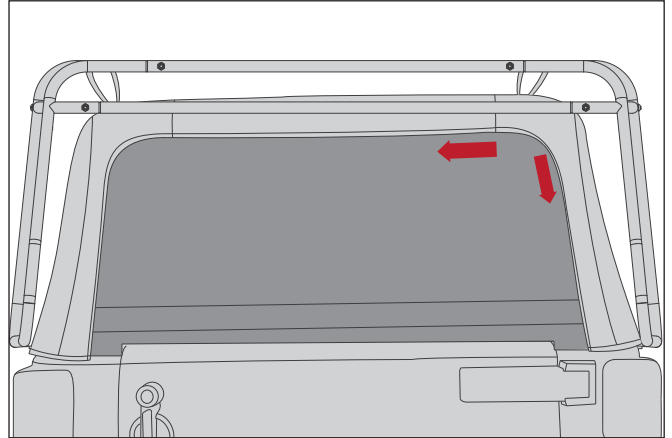
OMIX-ADA, Inc.

460 HORIZON DR. SUITE 400 | SUWANEE, GA 30024 | PHONE: 770-614-6101 | FAX: 770-614-6069 | info@omix-ada.com

16. To install rear window:

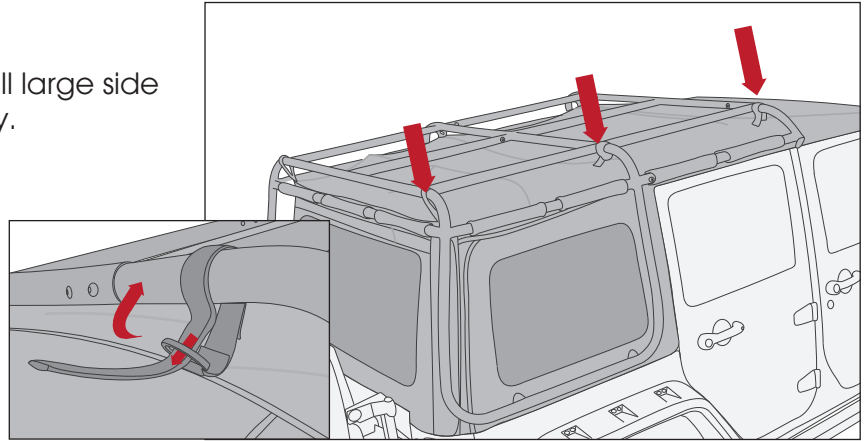
Zip top zipper first, then sides.

Install Tailgate Bar to channel in rear window.



17. Attach top Velcro loops.

18. Walk perimeter of vehicle and fully tighten all large side Velcro straps to ensure top is tensioned correctly.







OMIX-ADA, Inc.

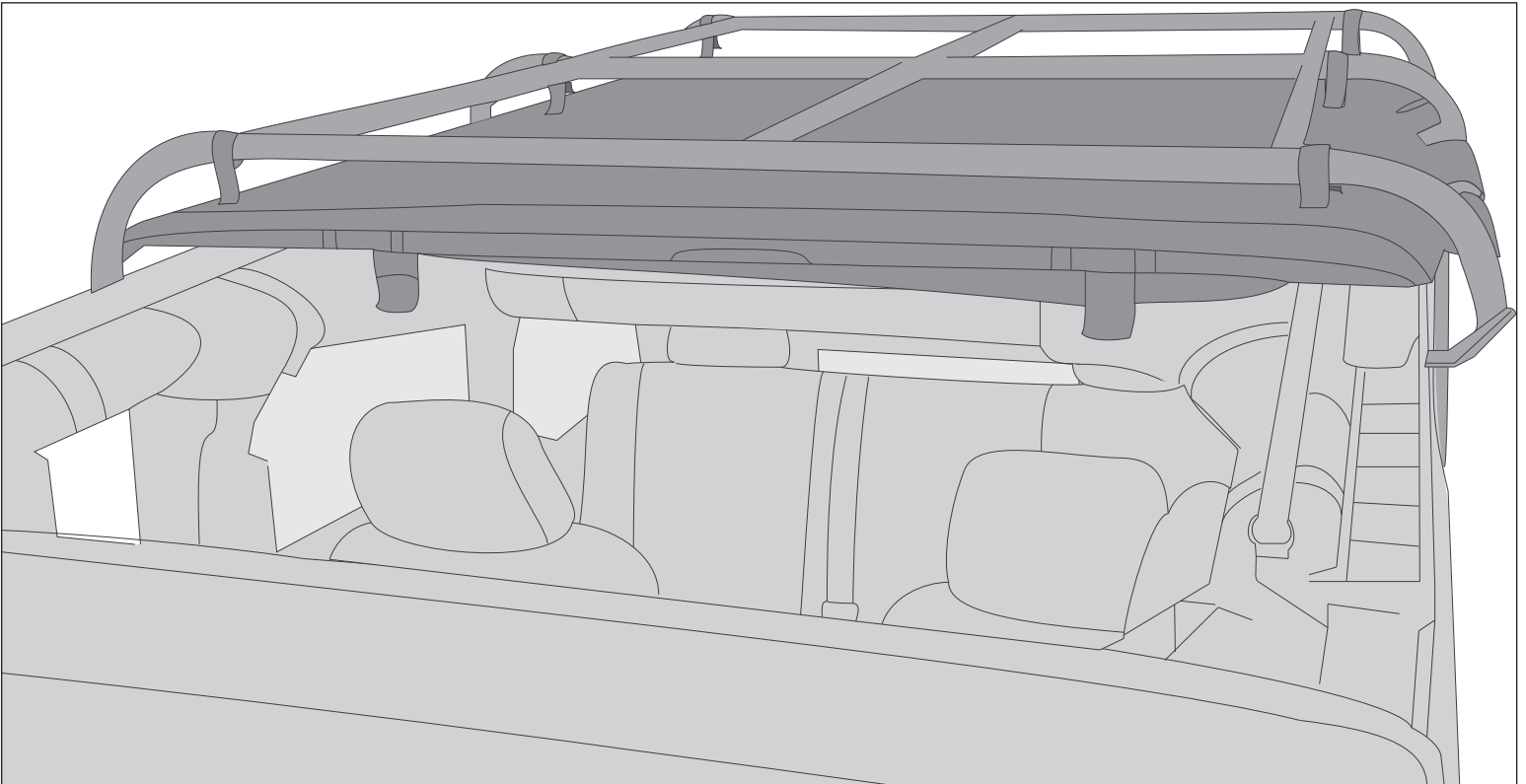
460 HORIZON DR. SUITE 400 | SUWANEE, GA 30024 | PHONE: 770-614-6101 | FAX: 770-614-6069 | info@omix-ada.com

## Operating Procedure



Do not attempt to operate the Rugged Ridge® Exo-Top while vehicle is in motion.

For further operating instructions, visit Exo-Top page at [RuggedRidge.com](http://RuggedRidge.com).



### SUN SLIDER

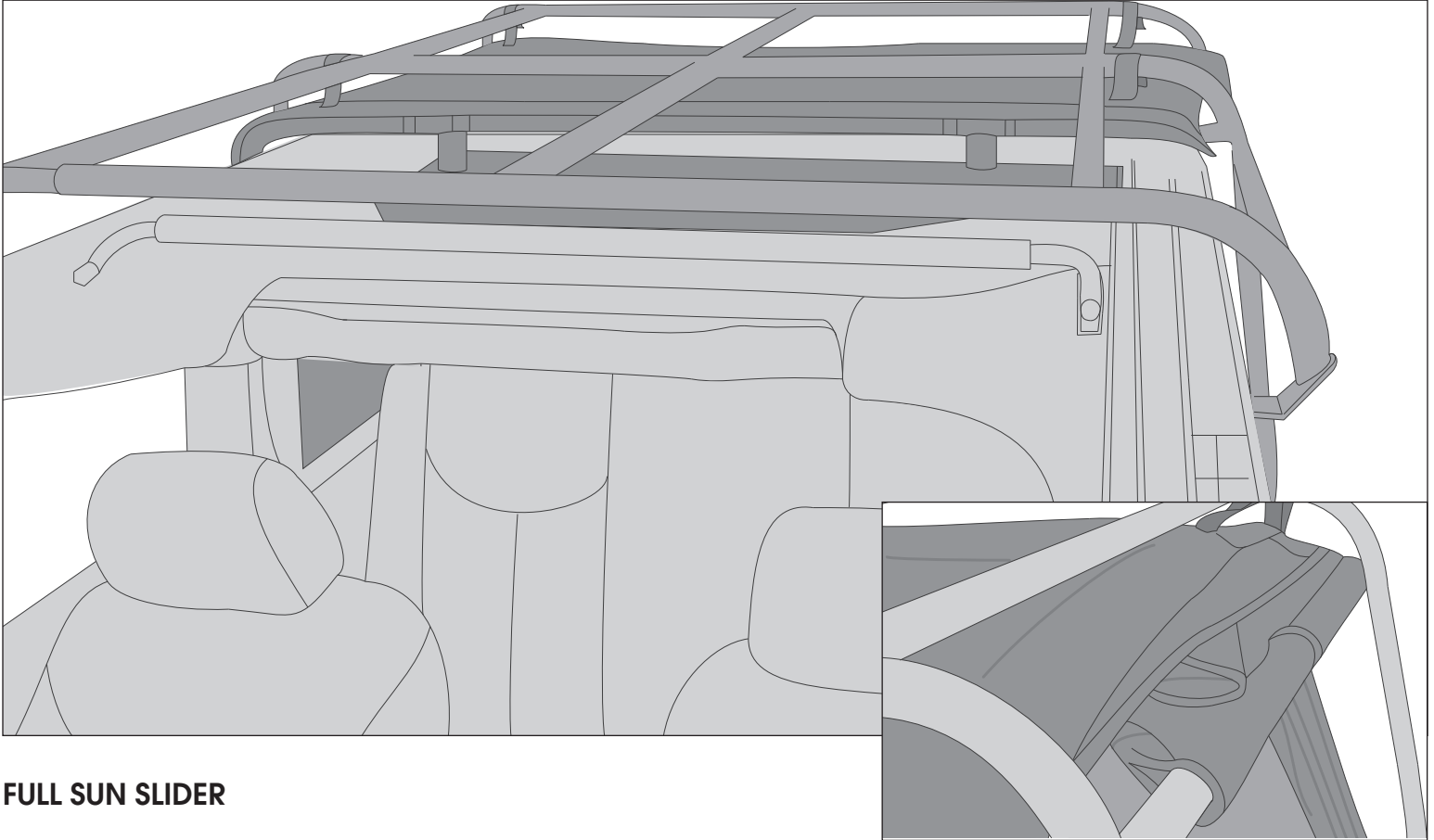
1. Unlatch hooks from front header bar.
2. Lower front sound bar bow.
3. Slide header bar to sound bar.
4. Tuck fabric under first cage bar and header.



OMIX-ADA, Inc.

460 HORIZON DR. SUITE 400 | SUWANEE, GA 30024 | PHONE: 770-614-6101 | FAX: 770-614-6069 | info@omix-ada.com

## Operating Procedure



### FULL SUN SLIDER

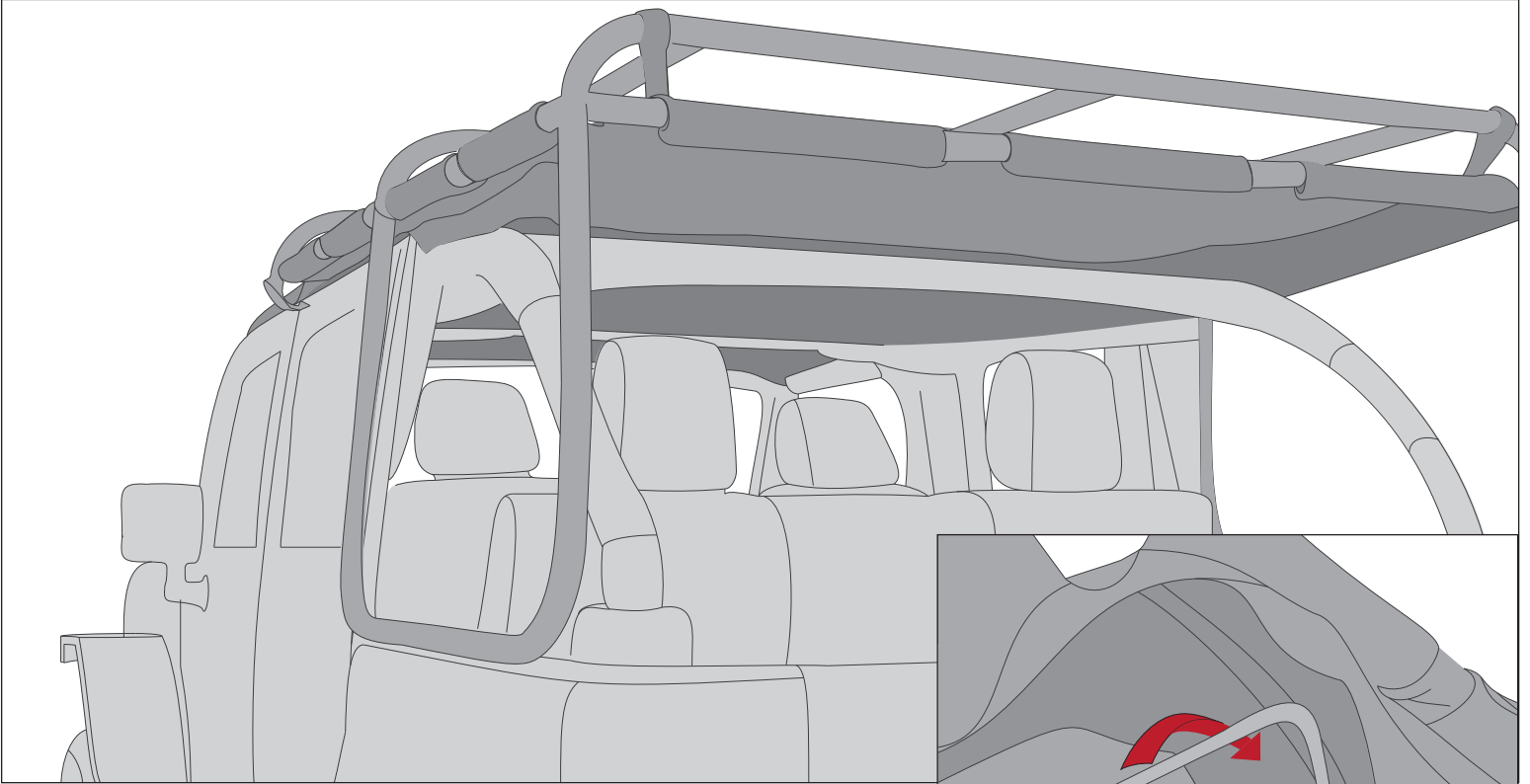
1. Undo first and middle row of top velcro and first two side velcro flaps from cage. Release carabiner and cable.
2. From Sun Slider position, slide header back to second cage bar.
3. Tuck excess fabric under second cage bar and header.



OMIX-ADA, Inc.

460 HORIZON DR. SUITE 400 | SUWANEE, GA 30024 | PHONE: 770-614-6101 | FAX: 770-614-6069 | info@omix-ada.com

## Operating Procedure



### SAVANNAH TOP

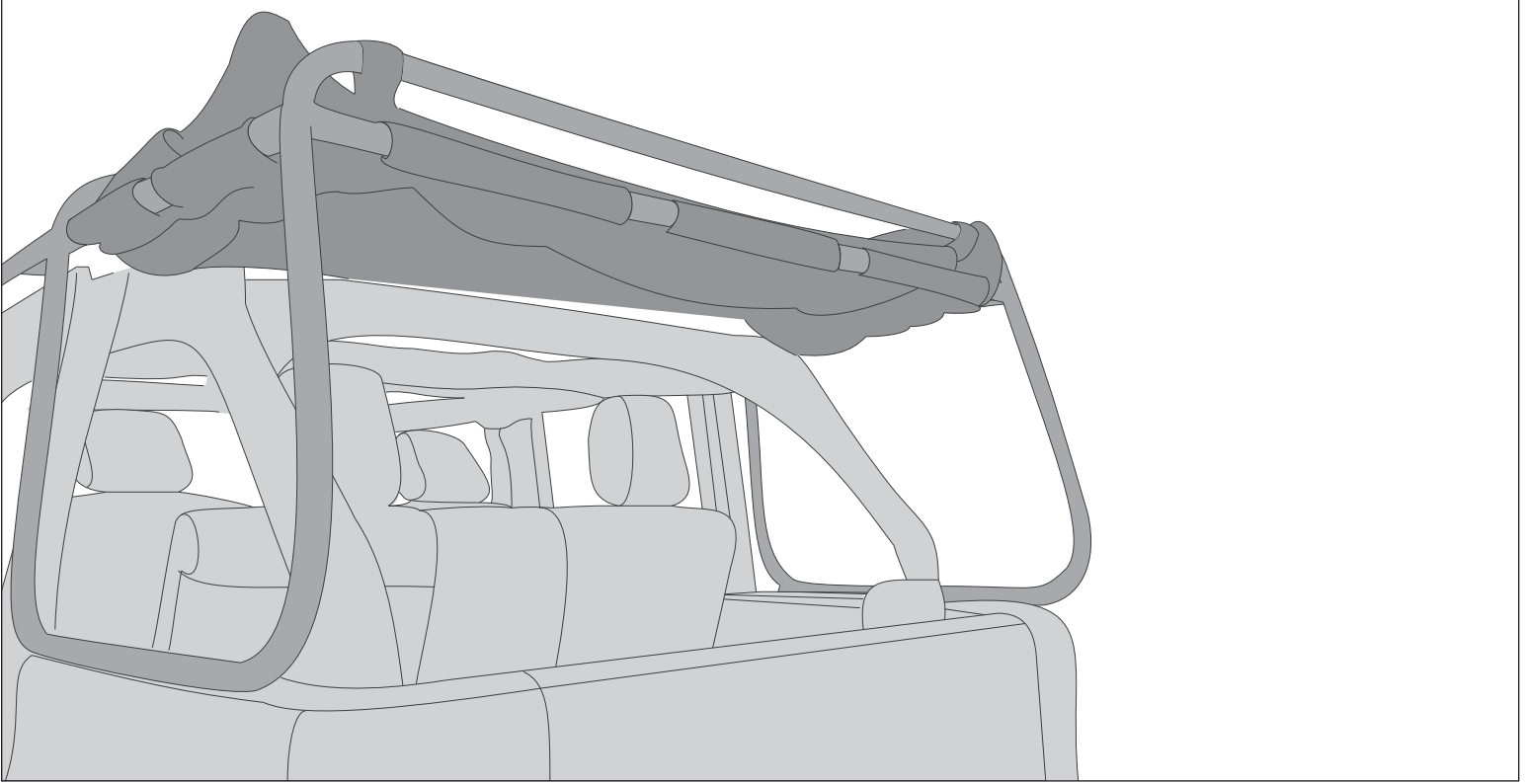
1. Keeping header bar attached in front, remove windows
2. Rear corner panels are tucked above rear soundbar.



OMIX-ADA, Inc.

460 HORIZON DR. SUITE 400 | SUWANEE, GA 30024 | PHONE: 770-614-6101 | FAX: 770-614-6069 | info@omix-ada.com

## Operating Procedure



### HALF SAVANNAH TOP

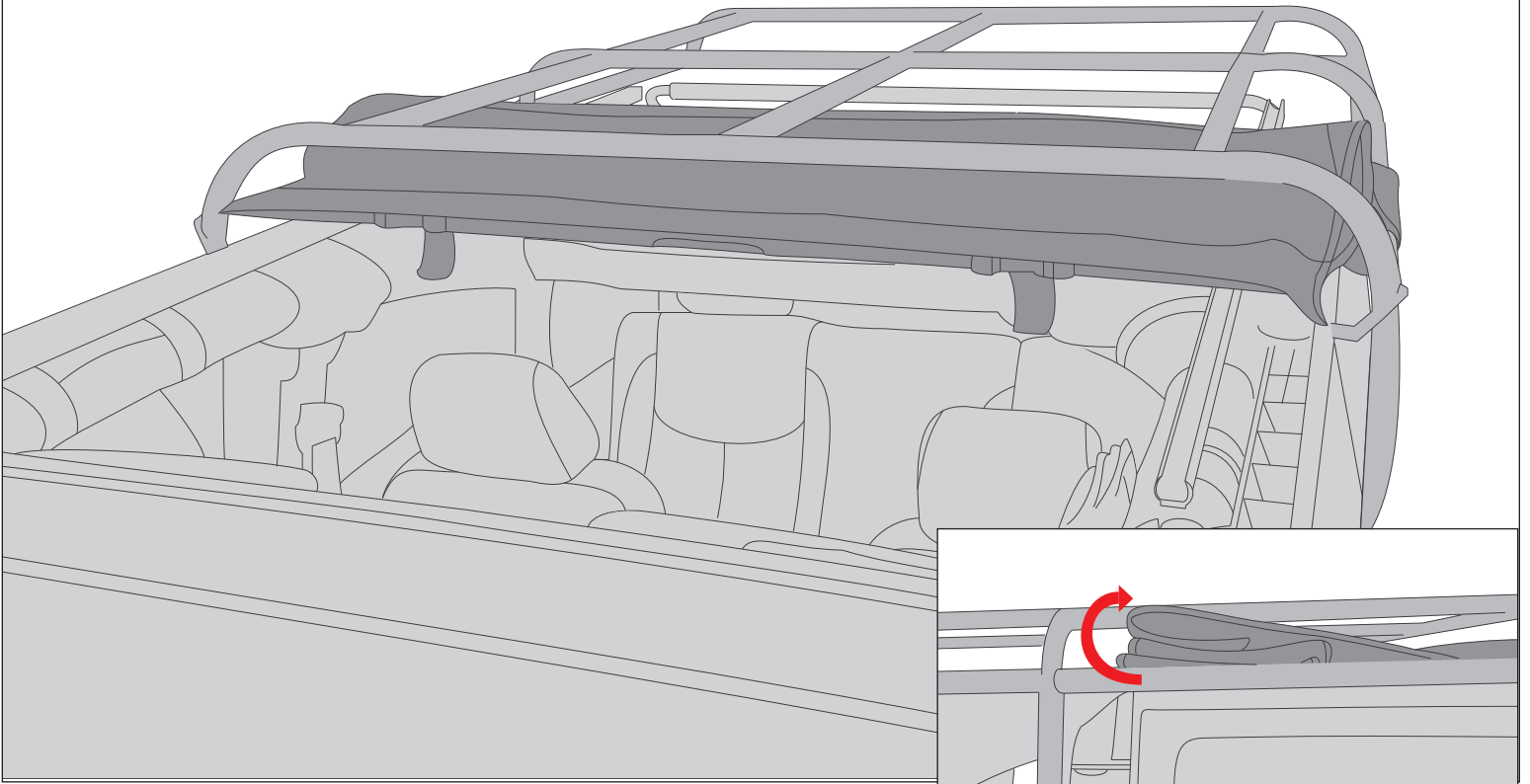
1. Remove rear windows.
2. From Full Sun Slider position, slide header to rear-most position. Do not allow header assembly to slide out of rails.
3. Fold fabric to rear cage bar.
4. Front velcro straps may be attached to rear cage bar for security.



OMIX-ADA, Inc.

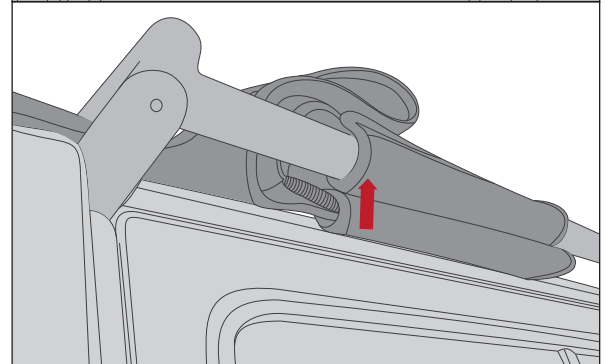
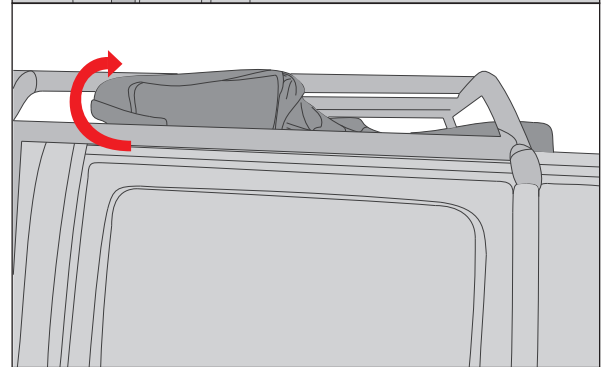
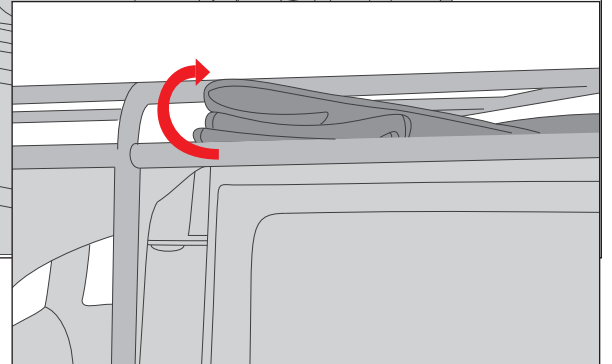
460 HORIZON DR. SUITE 400 | SUWANEE, GA 30024 | PHONE: 770-614-6101 | FAX: 770-614-6069 | info@omix-ada.com

## Operating Procedure



### FULL ROLL OVER SOUNDBAR

1. Remove all windows and Velcro straps.
2. Slide header back to front seat sound bar and disconnect carabiner and spring.
3. Undo rear bow strap, do not lower bow.
4. Begin folding rear fabric to front of vehicle.
5. Once folded, spring and carabiner can be tucked into side flap.
6. Rear side flap can be attached to cage as shown on bottom right.





OMIX-ADA, Inc.

460 HORIZON DR. SUITE 400 | SUWANEE, GA 30024 | PHONE: 770-614-6101 | FAX: 770-614-6069 | info@omix-ada.com

## Operating Procedure



### FULL ROLL OFF RAILS

1. Remove all windows and Velcro straps.
2. Undo rear bow strap, do not lower bow. Disconnect carabiner and spring.
3. Slide header back and over rear bow, off slider rails.
4. With tailgate open, fold fabric.
5. Close tailgate and rest header on tailgate or rear rollbars.



OMIX-ADA, Inc.

460 HORIZON DR. SUITE 400 | SUWANEE, GA 30024 | PHONE: 770-614-6101 | FAX: 770-614-6069 | info@omix-ada.com

## Care and Maintenance

In order to maintain its appearance and increase longevity of use, your Rugged Ridge® EXO-Top will need periodic cleaning and maintenance.

**Slide Assemblies, Bows, and Arms:** Regularly clean all slide assemblies, bows, and arms. Regularly clean and lubricate all joints with WD-40®.

**Fabric:** To preserve a quality fit, do not keep EXO-Top in a folded position for extended periods of time. When cleaning EXO-Top, fabric should be washed with mild soap, warm water, and a soft bristle brush. Use clear water to rinse to ensure all soap has been removed. If a rip or tear occurs in fabric of your canvas, repairs can be made with Bondex®. On the inside of your canvas, iron on Bondex® where rip or tear occurred. For further information, read instructions provided with Bondex®.

**Windows:** Ensure windows are kept clean to avoid scratching. Do not wash with brush, as this will cause scratching. Wash windows with a watered-down cloth or sponge. Do not clean windows while they are dry, this will cause scratching. Use caution while cleaning in low temperatures as windows will be more susceptible to scratching and cracking. Do not roll up windows in low temperatures as this will cause windows to stiffen and crack. Windows should be clean when rolled up.

**Zippers:** Keep zippers clean and lubricated to provide smooth operation. If a zipper opens after fully zipping your EXO-Top, a slider may be defective, but repairable. In this case, pull slider to the end and open position. Using a pair of pliers, carefully clamp down on your slider as shown on right and close zipper again. If problem persists, try clamping down on slider more firmly, then closing your zipper again.

**Water:** If water begins to seep through fabric seams, use 3-M Scotchgard® on inside of fabric to prevent further seeping.

