



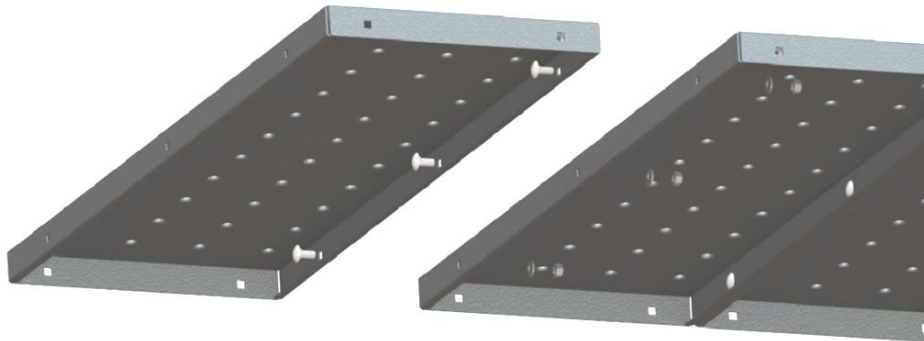
55060 Installation Instructions

Step 1

- If installed, remove roof rails from JEEP and place to the side.

Step 2

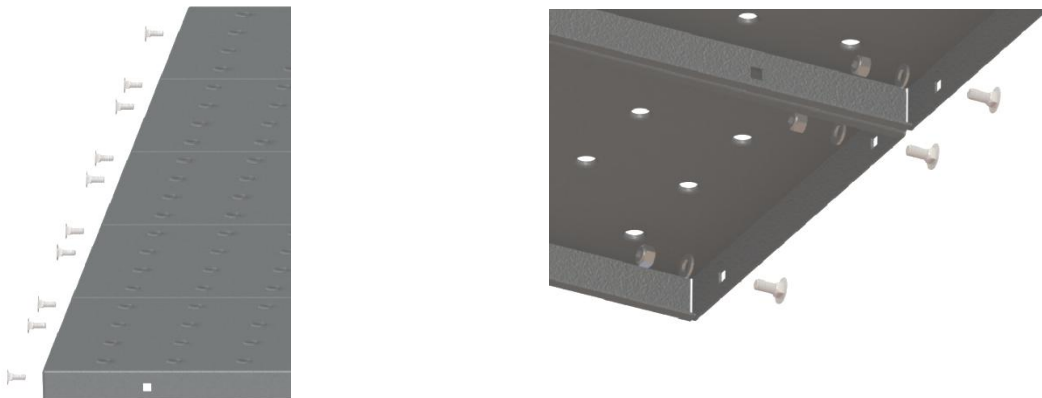
- Align four 55060-00-003 (Panel) and one 55060-00-004 (Front Panel) and bolt each panel to one another using three 5/16" x 0.75" carriage bolts, three 5/16" flat washers and three 5/16" NYLOC nuts.



Step 3

- Around the perimeter of the platform, bolt a 5/16" x 0.75" carriage bolt, a 5/16" flat washer and a 5/16 NYLOC, The head of the carriage bolt should be outside of the platform with the flat washer and NYLOC underneath the panels.
- Do this on both sides of five panels put together in previous step. (Total of 20 carriage bolt assemblies)

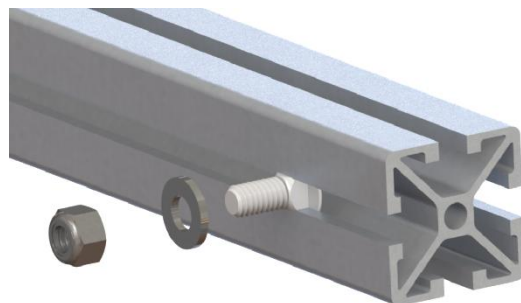
*Finger tighten



Step 4

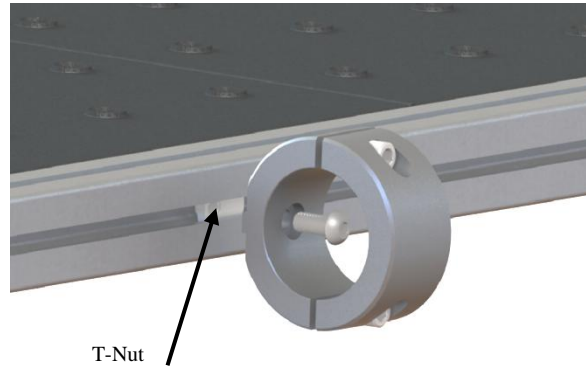
- Slide the 60" extrusion down the side of the platform picking up all 10 carriage bolt heads. Repeat on both sides.

*Panel not shown



Step 5

- On the extrusion, slide three offset T-Nuts opposite of where the carriage bolts were installed.
 - Bolt 55060-00-006 (clamp) to extrusion in desired location using a 5/16" x 5/8" Button Head Cap Screw and the T-Nut.
 - Repeat on both sides
- *When installing the clamps, keep in mind of other accessories you may want to place on your JK STEALTH RAK and position clamps accordingly.



*Remove outside of clamp and TIGHTEN 5/16" x 5/8" button head cap screw.

Step 6

- Bolt end caps to both ends of each extrusion using a 5/16" x 5/8" Button Head Cap Screw.



Step 7

- Clamp roof rails (55025 or 55026) to both sides of 55060. Apply cap to the 55060-00-006 (clamp) and hand tighten to allow JK STEALTH rak to be adjusted.
 - Be sure to have the front panel closest to the bend in the roof rails.
- *The bend side of the roof rails attach to the 55015(A-Frame).

Step 8

- Place platform and roof rails onto the roof of the JEEP.
- Center roof rails and JK STEALTH rak on JEEP. Once centered attach roof rails to 55015(A-Frame) and 55026 (JK Rear Hoop).
- Apply caps to roof rails and bolt together with 24- 5/16" x 7/8" socket head cap screws. Tighten bolts.
- Position Mod-Rak JK Stealth in desired location and tighten 55060-00-006 (clamp) around the roof rails.



Step 8

- Go back through and be sure all bolts are tight.
- Your installation is complete.