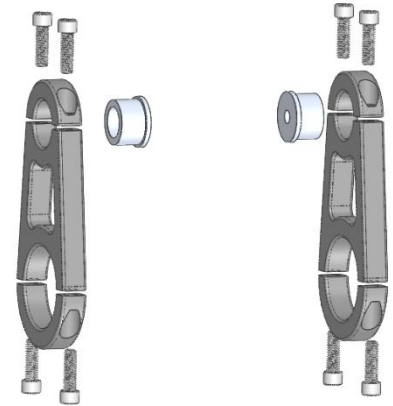




Light Mount (60300/60305) Installation Instructions

Step 1

- Clamp and bolt light mount inserts (60300-00-001) to the small end of the standoff brackets (60321/60320) using four 5/16" x 1" socket head bolts.

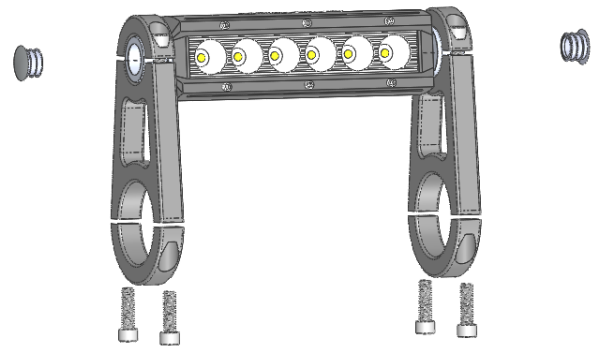


Step 2

- Bolt both clamps to the end of the light using the hardware provided by the light manufacturer.

Step 3

- Bolt other end of clamp in your desired position using four 5/16" x 1" socket head bolts.
- Position light as desired and press in cover caps (60300-00-002).



Your installation is now complete.

