

TACTIK® Heavy Duty Tailgate Hinge

Installation Manual for 2007 - Current Wrangler (JK)

#12052.0011



⚠ WARNING ⚠

TO REDUCE RISK OF SERIOUS INJURY OR PROPERTY DAMAGE: READ ALL SAFETY MESSAGES AND UNDERSTAND ALL INSTRUCTIONS AND PROCEDURE *NOTICES* BEFORE ATTEMPTING TO INSTALL OR USE THIS PRODUCT.

⚠ CAUTION ⚠

RISK OF EYE INJURY! SAFETY GLASSES MUST BE WORN AT ALL TIMES WHILE INSTALLING OR MAINTAINING THIS PRODUCT. TORQUE AND RECHECK FASTENERS AFTER 250 MILES AND FREQUENTLY THEREAFTER. INSPECT BEFORE USE. DO NOT USE IF DAMAGED. OFF ROAD SPARES ARE HEAVY. HAVE ANOTHER PERSON HELP SUPPORT THE TIRE AT REMOVAL, ADJUSTMENT AND DURING RE-INSTALLATION.

⚠ WARNING ⚠

WHEN ADJUSTING SPARE WHEEL AND TIRE POSITION ON TIRE MOUNT, MAKE SURE WHEEL AND TIRE ARE AS CLOSE AS POSSIBLE TO THE VEHICLE/WHEEL MOUNT WITHOUT TOUCHING. IF MOUNTED TOO FAR AWAY FROM VEHICLE, IT CAN CAUSE UNNECESSARY STRESS OR DAMAGE, WHICH COULD RESULT IN SERIOUS INJURY OR DAMAGE TO PROPERTY.

TACTIK®

A Few Words About Product Safety:

Your TACTIK® product is intended to enhance the utility and enjoyment of your off road capable vehicle. Before installation, please review the following safety information and installation recommendations.

Throughout these instructions important safety information is generally preceded by one of three signal words indicating the relative risk of injury, property damage or adverse consequence. **The signal words mean:**

⚠ WARNING ⚠	a hazardous situation which, if not avoided, could result in death or serious injury. You CAN be KILLED or SERIOUSLY HURT if you don't follow instructions.
⚠ CAUTION ⚠	a hazardous situation which, if not avoided, could result in minor or moderate injury. You CAN be moderately HURT and also may suffer property damage if you don't follow instructions.
NOTICE	Careful attention is required to this instruction or operation but does generally not relate to personal injury. Damage to your TACTIK product or other property may result if you don't follow instructions.

Before You Begin Installation:

Congratulations on your purchase of TACTIK® Heavy Duty Tailgate Hinge for your Jeep® Wrangler. This custom fit product has been designed for long life and a great look. Though constructed of only the finest materials, this product must be maintained to keep its look while performing under the toughest conditions. Please see below for important care and maintenance tips to keep

your product looking like new. When unpacking, check to make sure all parts are included and not damaged due to shipping. If any part is missing or broken, please call Customer Service at 800-745-6037 as soon as possible.

Thank you again for your purchase and let's start the installation process.

TACTIK Care and Maintenance:

Your TACTIK Heavy Duty Hinge has been designed and manufactured to provide years of use. However, like any product, general maintenance is required to keep it looking new.

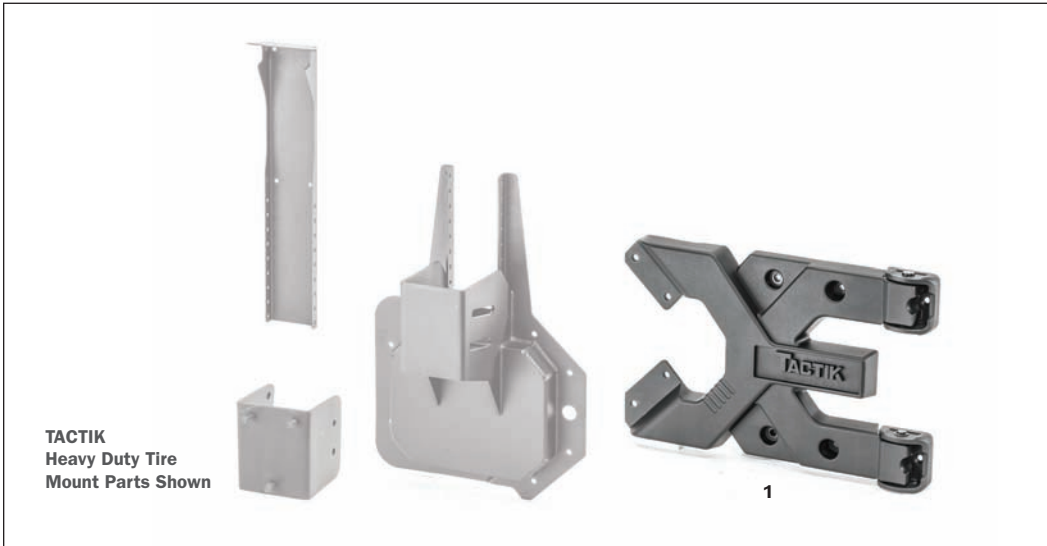
Since the hinge is located on the rear of the vehicle, it is subject to potential road spray and other debris potentially causing portions of the paint to chip off. We recommend using a textured or gloss black spray paint sprayed on a piece of cardboard and Q-Tip to gently fill in

these chips. This will prevent any rust from forming. On all exterior products there is a chance of some surface rust showing over time due to metal particles being embedded in the paint. This surface rust is easily removed by a non-abrasive cleaner/polish and a soft bristle brush (not a metal brush!).

For products with a textured finish, wash only with soapy water and avoid other waxes and polishes.



TACTIK Tailgate Hinge Reinforcement Parts List:



HINGE CASTING PARTS:

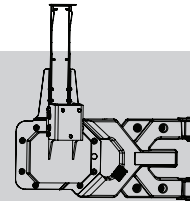
- 1.) Hinge Casting - QTY 1
- 2.) Spacer Plates QTY2
- 3.) Hex Bolt - QTY 4
- 4.) Washer - QTY 4

REQUIRED TOOLS:

- Safety Glasses
- 10" Extension
- 13mm Socket
- ¾" Deep Socket
- T-20 & T-50 Torx Bits
- Red Thread Lock
- Shims
- Torque Wrench

NOTICE

IF USING THE TACTIK HEAVY DUTY TIRE MOUNT WITH THE TACTIK HEAVY DUTY HINGE CASTING IT IS NECESSARY TO INSTALL THE HINGE CASTING FIRST. REFER TO THIS HINGE CASTING INSTALLATION MANUAL BEFORE INSTALLING THE TIRE MOUNT.



CAUTION

ALWAYS WEAR SAFETY GLASSES DURING INSTALLATION. GET ASSISTANCE HANDLING HEAVY SPARE TIRES. FOLLOW ALL SAFETY PROCEDURES.

TACTIK®

TACTIK Tailgate Hinge Installation:

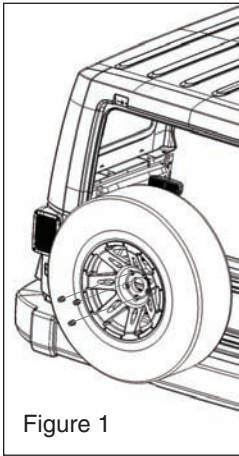


Figure 1

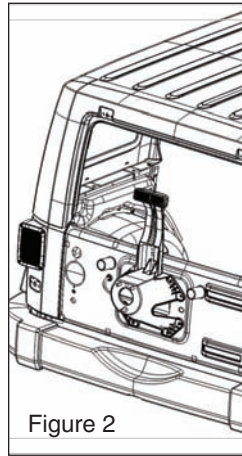


Figure 2

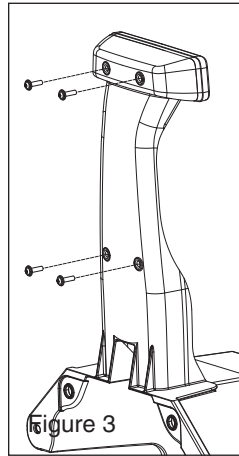


Figure 3

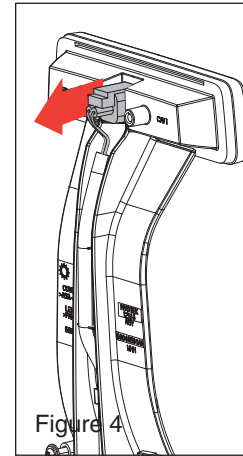


Figure 4

Caution: Put on safety glasses. Take-off the spare tire by removing the 3 lugnuts using a 3/4" deep socket. (see FIG1 & 2) Open the tailgate and remove 4 torx head screws that attach light to factory tire mount using a T-20 Torx bit. Pull light away from tire mount. (see FIG3)

Next, remove connector by pushing down on tab and pulling. Set light aside, it will be used later during installation. Place the connector and wires off to side to not interfere with Tire Carrier installation. (see FIG4)

CAUTION

OFF ROAD SPARES ARE HEAVY. HAVE ANOTHER PERSON HELP SUPPORT THE WHEEL AND TIRE AT REMOVAL, AND DURING REINSTALLATION.

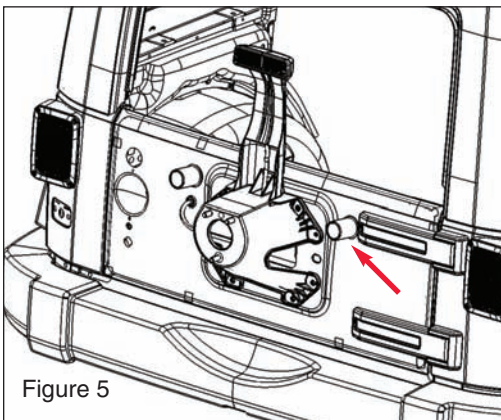


Figure 5

Twist and pull rubber bumper to remove from right side of tailgate only. (see FIG5)

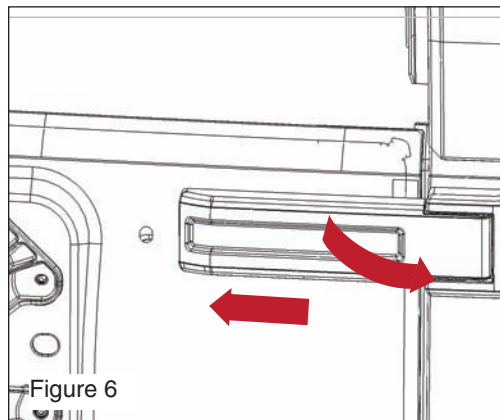


Figure 6

Remove plastic hinge covers. For the long hinge covers, pull away from the vehicle and to the left. (see FIG6)

TACTIK®

TACTIK Tailgate Hinge Installation:

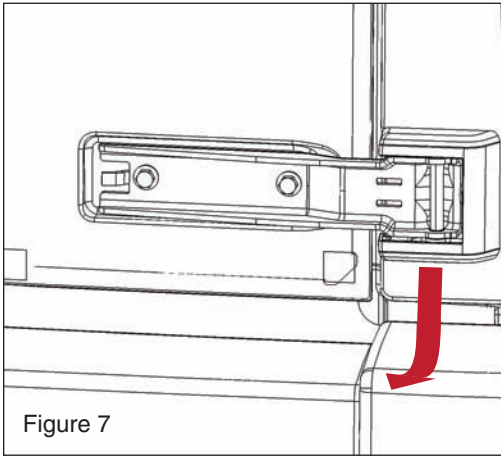


Figure 7
Remove plastic clips by pulling lower portion down and away from vehicle. (see FIG7)

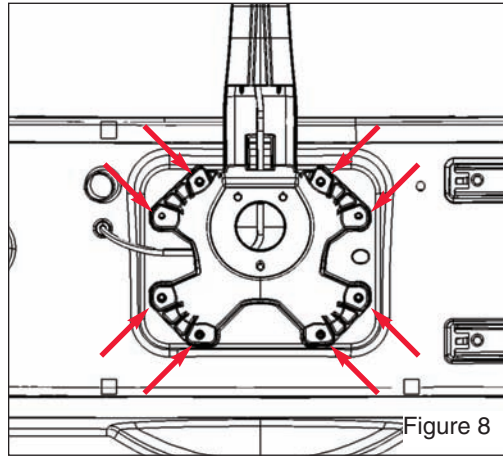


Figure 8
Remove the stock tire carrier and brake light holder by removing the 8 bolts indicated using a 13mm socket. (see FIG8)

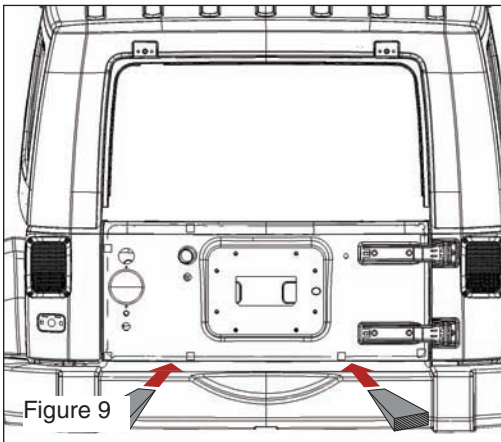


Figure 9
Ensure tailgate is fully closed and locked. On both sides of tailgate, place shims between bumper and tailgate to hold tailgate in position while removing stock hinges. Shims can be blocks of wood, wedged shims, etc. that can be made to fit snugly and securely between

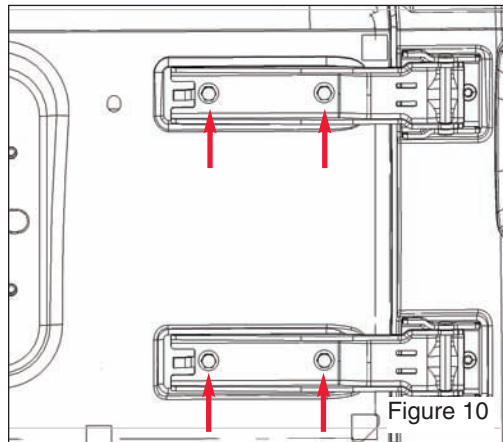


Figure 10
bumper and tailgate. (see FIG9) Lock the tailgate. Do not open or move tailgate while hinges are removed.

Remove tailgate hinges from tailgate by removing the 4 bolts indicated on right using a 13mm socket. (see FIG10)

NOTICE

WITH SHIMS IN PLACE, LOCK THE TAILGATE. DO NOT OPEN OR MOVE TAILGATE WHILE HINGES ARE REMOVED.

TACTIK

TACTIK Tailgate Hinge Installation:

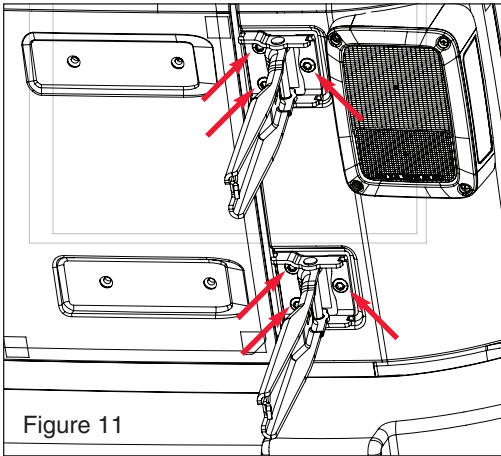


Figure 11

Flip hinges to open position. Remove stock hinges from vehicle by removing the screws indicated using a T-47 torx socket. This may require using a 10 inch extension with the T-47 bit in order to reach the screws. (see FIG11)

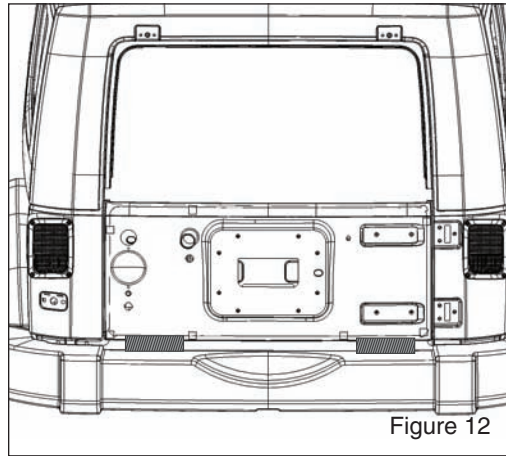


Figure 12

Thoroughly clean any dirt, debris, and corrosion from tailgate and quarter panel where HD Hinge Casting and tire carrier will mount. Painting or priming bare metal under stock hinges is optional, but recommended, especially if corrosion is present. (see FIG12)

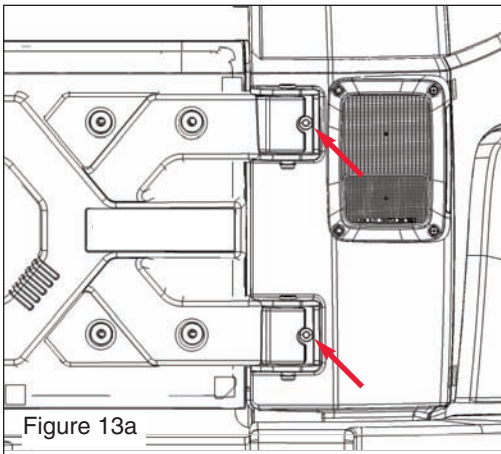


Figure 13a

Place HD Hinge Casting in position. Reusing 6 original torx screws, fasten hinge brackets to vehicle quarter panel. Attach outside screw first (see FIG13A)

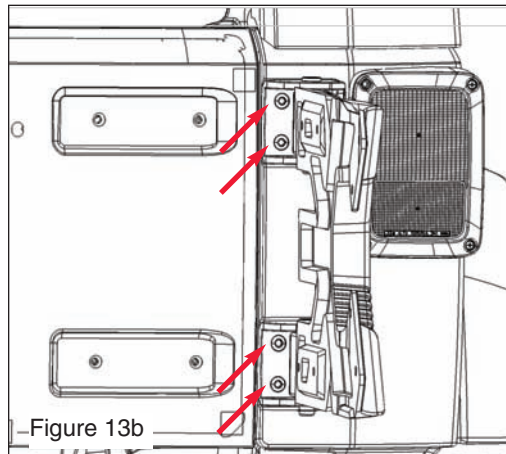


Figure 13b

Then swing hinge open and install remaining four screws. (see FIG13B) Do not fully tighten at this time.

TACTIK®

TACTIK Tailgate Hinge Installation:

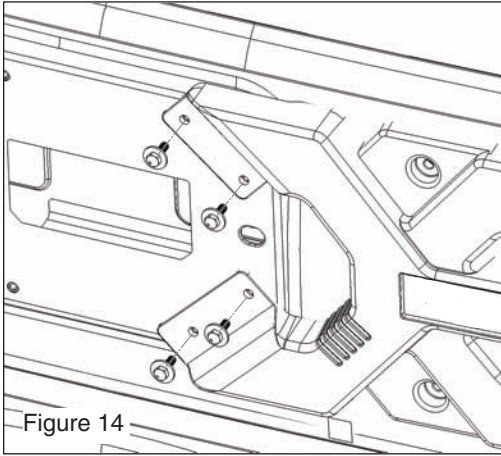


Figure 14
Re-using factory bolts and washers removed in figure 8, loosely attach right side of HD Hinge Casting. (see FIG14)

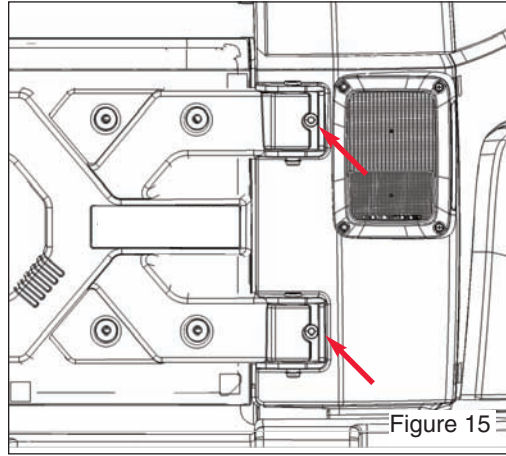


Figure 15
Fully tighten outside hinge bracket bolts. (see FIG15)

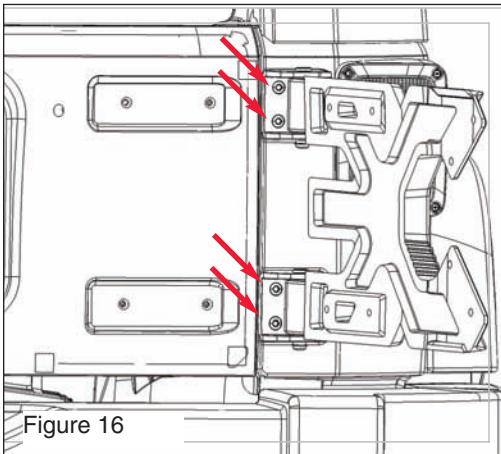


Figure 16
Remove the 4 bolts/washers from Figure 14. Swing HD Hinge Casting open, making sure not to move the tailgate. Tighten the 4 remaining Torx Head bolts on hinge brackets. Return hinge to closed position (see FIG16)

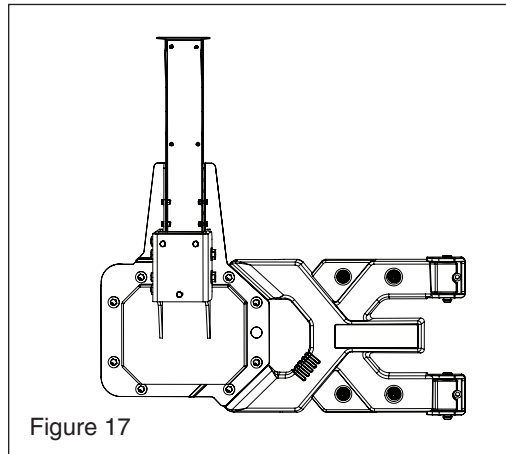
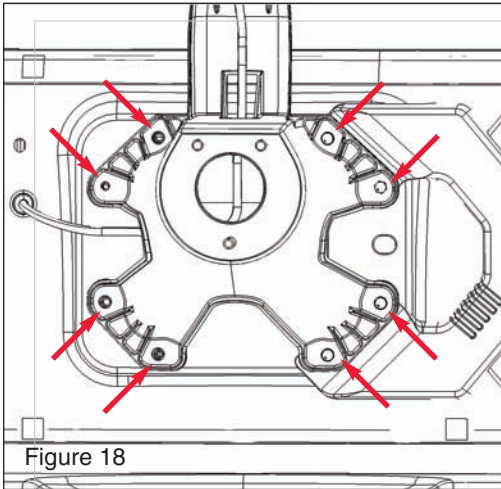


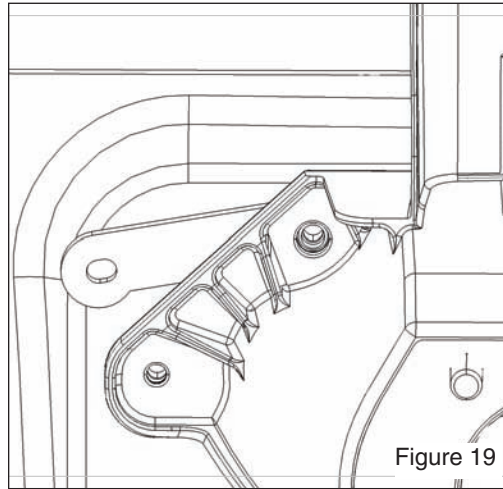
Figure 17
If installing the TACTIK HD Wheel Mount (Part# 12052.0012) with HD Casting Hinge, stop here and refer to Figure 6 of HD Wheel Mount Instructions. If re-using factory spare tire mount, continue in this booklet.

TACTIK

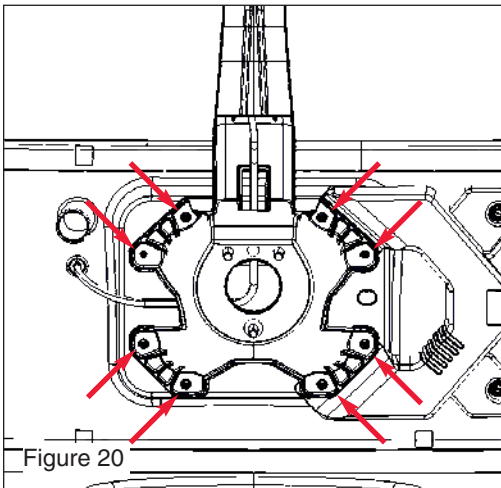
TACTIK Tailgate Hinge Installation:



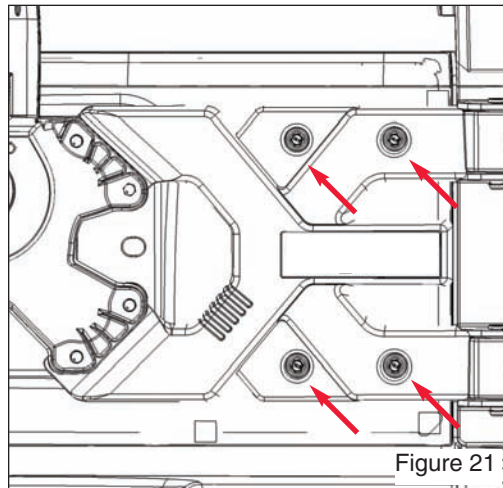
Align the tire carrier with tailgate bolt holes and begin threading the four factory bolts on the right hand side of the factory tire carrier. Do not fully tighten. (see FIG18) Next, slide spacer plate



between tailgate and top left corner of the OE tire carrier. Loosely re-install factory bolts. Repeat for bottom left corner. Some slight shifting of HD Hinge Casting may be required to re-install all 8 tire carrier bolts. (see FIG19)



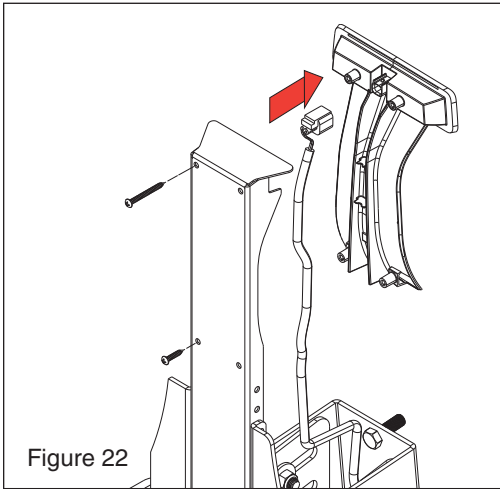
Once all bolts are threaded, tighten the 8 bolts around the tire carrier. (see FIG20) Next, install the 4 supplied hex bolts and washers to fasten the HD hinge body to tailgate using a 12mm



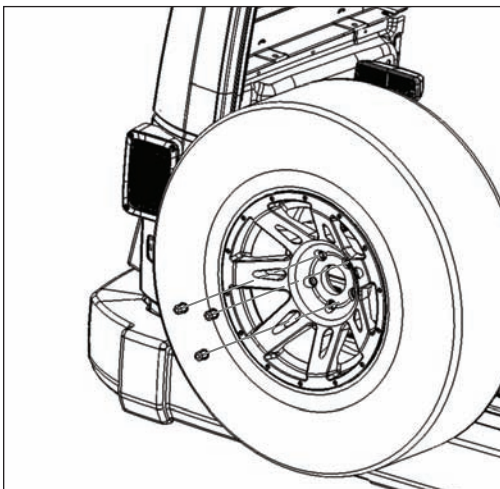
socket. Use red thread locker on bolt threads prior to installation, and fully tighten bolts before thread locker dries. (see FIG21) The tailgate shims can now be removed.

TACTIK

TACTIK Tailgate Hinge Installation:



Feed the third brake light wire back through the OE tire carrier and reinstall factory brake light. (see FIG22)



Install spare tire and supplied lug nuts back onto tire carrier. Use a torque wrench with a 3/4" deep socket to tighten the lug nuts to 80 lb/ft.

⚠ CAUTION ⚠

OFF ROAD SPARE WHEEL AND TIRE ASSEMBLIES ARE HEAVY. HAVE ANOTHER PERSON HELP SUPPORT THE TIRE DURING ADJUSTMENT.

⚠ WARNING ⚠

FAILURE TO TIGHTEN LUG NUTS TO THE PROPER TORQUE SPECIFICATION OF 80 LB/FT COULD RESULT IN SERIOUS INJURY OR PROPERTY DAMAGE.

TACTIK



Also Available:
The TACTIK® Front Bumper



Also Available:
The TACTIK® Rear Bumper

TACTIK®

HOT! Wheels for JK



SATIN BLACK SILVER FINISH CLEAR POLISHED GUN METAL GRAY

Quadratec® Baja Xtreme™ Wheels

- > Classic styling with a cool & modern update
- > 8 oversized speed holes w/ deep Lug pockets
- > Custom Hub Style ABS Q Logo center caps
- > Aluminum castings with CNC machined surfaces
- > Easy to keep clean with no hidden nooks & crannies
- > Quadratec Warranty: Lifetime Structural/1 Year Finish
- > 4 great finishes: Silver, Satin Black, Gun Metal Gray, Polished



17" x 8" for '07-'15 Wrangler #92615.22XX...from **\$139.99** each
each sold individually



BAJA XTREME WHEEL FROM \$139.99



SATIN BLACK SILVER FINISH GUN METAL GRAY

Quadratec® Rubicon Xtreme™ Wheels

- > Classic 5-Spoke Pattern in 17" x 9"
- > 4.75" back-spacing w/ deep Lug pockets
- > Accepts genuine Mopar center caps (sold separately)
- > Aluminum castings with CNC machined surfaces
- > Easy to keep clean with no hidden nooks & crannies
- > Quadratec Warranty: Lifetime Structural/1 Year Finish
- > 3 great finishes: Silver, Satin Black, Gun Metal Gray



17" x 9" for '07-'15 Wrangler #92615.23XX...from **\$149.99** each
each sold individually



NEW! RUBICON XTREME WHEELS

*** FREE SHIPPING!**



SATIN BLACK SILVER FINISH MACHINE FACED GUN METAL GRAY

Quadratec® Moab Style Wheels

- > 5 Spoke with classic, clean and strong looks
- > Totally transform the look of your Wrangler!
- > Custom Color matched snap-in center caps
- > Aluminum castings with CNC machined surfaces
- > Easy to keep clean with no hidden nooks & crannies
- > Quadratec Warranty: Lifetime Structural/1 Year Finish
- > 4 great finishes: Satin Black, Silver, Machine Faced & Gun Metal Gray



17" x 8.5" for '07-'15 Wrangler #92615.21XX...from **\$129.99** each
each sold individually



Order Today!

TACTIK® Exclusive Five Year Limited Warranty

Your TACTIK® branded accessories are covered by the following **Limited Warranty** provided exclusively by the TACTIK® Division of Quadratec, Inc. 1028 Saunders Lane, West Chester PA 19380.

This **Limited Warranty** is the only warranty made in connection with your purchase. TACTIK® neither assumes nor authorizes any vendor, retailer or other person or entity to assume for it any other obligation or liability in connection with this product or **Limited Warranty**.

What is Covered: Subject to the terms, exclusions and limitations herein and with respect only to TACTIK® branded accessories first sold in the United States, TACTIK® warrants to the initial retail purchaser only that your TACTIK® accessory shall be free of defects in material and workmanship: **for a period of five (5) years from date of retail purchase.**

This **Limited Warranty** is not assignable and shall terminate upon sale of the vehicle upon which the TACTIK® accessory is installed or other transfer third persons.

All other warranties are hereby disclaimed, except to the extent prohibited by applicable law in which case any implied warranty of merchantability or fitness for a particular purpose on this product is limited to 3 year from date of initial retail sale. TACTIK® reserves the rights to: (a.) require invoice or other proof your accessory is within the terms of this **Limited Warranty** as a condition of warranty service and, (b.) make future revisions to this product and **Limited Warranty** without prior notice or obligation to upgrade your product.

What is Not Covered:
Your TACTIK® **Limited Warranty** does not cover products or parts TACTIK® determines to have been damaged by or subjected to: (a.) installation damage, alteration, modification, combination with other parts, failure to

maintain or improper repair or service, (b.) normal wear & tear, cosmetic damage or damage from moisture or water immersion, (c.) Acts of God, accidents, misuse, negligence, inadequate mounting or impact with vehicle(s), obstacles or other aspects of the environment, (d.) theft, vandalism or other intentional damage.

Remedy Limited to Repair/Replacement:
The exclusive remedy provided hereunder shall, upon TACTIK® inspection and at TACTIK's option, be either repair or replacement of product or parts (new or refurbished) covered under this Limited Warranty.

Customers requesting warranty consideration should first contact TACTIK® to obtain a RGA number (610-701-3336). All labor, removal, shipping and installation costs are customer's responsibility.

Other Limitations - Exclusion of Damages - Your Rights Under State Law:

In consideration of the purchase price paid, neither TACTIK® nor any independent TACTIK® distributor/licensee are responsible for any time loss, rental costs, or for any incidental, consequential, punitive or other damages you may have or incur in connection with any part or product purchased. Your exclusive remedy hereunder for covered parts is repair/replacement as described above.

This **Limited Warranty** gives you specific rights. You may also have other rights that vary from state to state. For example, some states do not allow limitations of how long an implied warranty lasts and /or do not allow the exclusion or limitation of incidental or consequential damages, so the limitations and exclusions herein may not apply to you.

© TACTIK® 2016. All Rights Reserved.
1.5.16 LTR Version

Instruction Booklet #12999.3049

TACTIK®