

TACTIK® Differential Covers

Installation Manual for Jeep Vehicles with Dana 30/35/44 Axles
#12011.010X



For Dana 30



For Dana 35



For Dana 44

⚠ WARNING ⚠

TO REDUCE RISK OF SERIOUS INJURY OR PROPERTY DAMAGE: READ ALL SAFETY MESSAGES AND UNDERSTAND ALL INSTRUCTIONS AND PROCEDURE NOTICES BEFORE ATTEMPTING TO INSTALL OR USE THIS PRODUCT.

⚠ CAUTION ⚠

RISK OF EYE INJURY! SAFETY GLASSES MUST BE WORN AT ALL TIMES WHILE INSTALLING OR MAINTAINING THIS PRODUCT. TORQUE AND RECHECK FASTENERS AFTER 250 MILES AND FREQUENTLY THEREAFTER. INSPECT FOR LEAKS BEFORE USE. DO NOT USE IF DAMAGED.

NOTICE

THE SHAPE OF YOUR DIFFERENTIAL COVER MAY BE DIFFERENT FROM THAT SHOWN IN THIS BOOKLET. THE INSTALLATION PROCEDURE IS THE SAME REGARDLESS OF SHAPE.

TACTIK®

A Few Words About Product Safety:

Your TACTIK® product is intended to enhance the utility and enjoyment of your off road capable vehicle. Before installation, please review the following safety information and installation recommendations.

Throughout these instructions important safety information is generally preceded by one of three signal words indicating the relative risk of injury, property damage or adverse consequence. **The signal words mean:**

⚠ WARNING ⚠

a hazardous situation which, if not avoided, could result in death or serious injury. You CAN be KILLED or SERIOUSLY HURT if you don't follow instructions.

⚠ CAUTION ⚠

a hazardous situation which, if not avoided, could result in minor or moderate injury. You CAN be moderately HURT and also may suffer property damage if you don't follow instructions.

NOTICE

Careful attention is required to this instruction or operation but does generally not relate to personal injury. Damage to your TACTIK product or other property may result if you don't follow instructions.

Before You Begin Installation:

Congratulations on your purchase of TACTIK® Differential Cover for your Jeep® Wrangler. This custom fit product has been designed for durability and a great look. Though constructed of only the finest materials, this item must be maintained to keep its look while performing under the toughest conditions.

When unpacking, check to make sure all parts are included and not damaged due to shipping. If any part is missing or broken, please call Customer Service at 800-745-6037 as soon as possible.

Thank you again for your purchase and let's start the installation process.

⚠ CAUTION ⚠

ALWAYS WEAR SAFETY GLASSES DURING INSTALLATION. FOLLOW ALL SAFETY PROCEDURES.

NOTICE

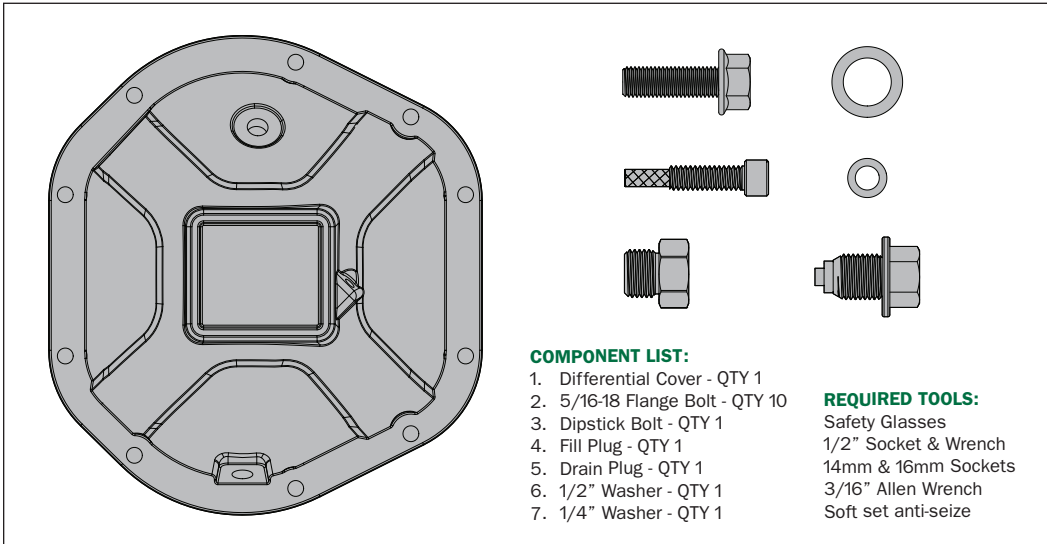
DEEP SCRATCHES AND MARRING OF SEALING SURFACES CAN CAUSE GASKET FAILURE DURING INSTALLATION. TAKE CARE TO PROTECT THESE SURFACES.

BE SURE TO USE RTV SEALANT RECOMMENDED FOR USE WITH OIL.

IT IS RECOMMENDED TO USE SOFT-SET ANTI-SEIZE COMPOUND ON THREADS OF DRAIN PLUG, FILL PLUG, AND DIPSTICK BOLT.

TACTIK®

TACTIK Differential Cover Parts List:



The diagram shows a top-down view of the differential cover on the left. To its right are seven individual components: a large flange bolt, a dipstick bolt, a fill plug, a drain plug, a 1/2" washer, and a 1/4" washer. Further to the right are two O-rings and a dipstick tube.

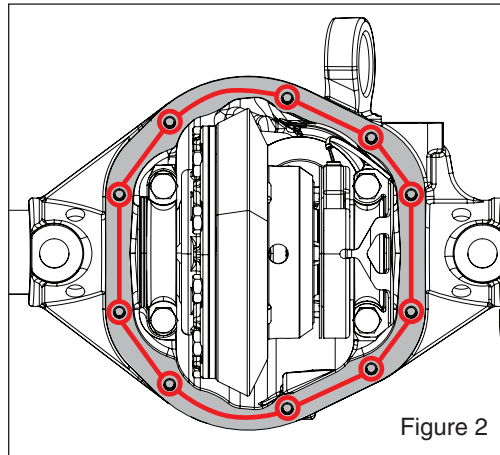
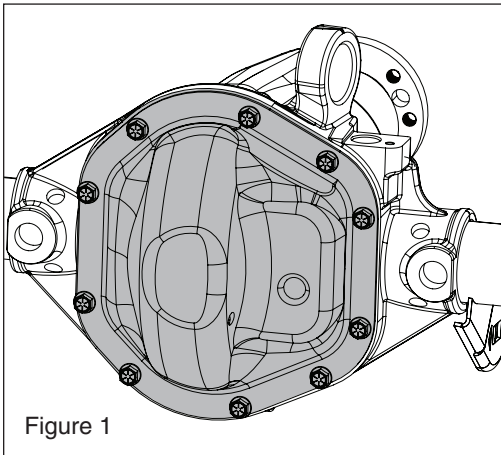
COMPONENT LIST:

1. Differential Cover - QTY 1
2. 5/16-18 Flange Bolt - QTY 10
3. Dipstick Bolt - QTY 1
4. Fill Plug - QTY 1
5. Drain Plug - QTY 1
6. 1/2" Washer - QTY 1
7. 1/4" Washer - QTY 1

REQUIRED TOOLS:

- Safety Glasses
- 1/2" Socket & Wrench
- 14mm & 16mm Sockets
- 3/16" Allen Wrench
- Soft set anti-seize

TACTIK Differential Cover Installation:



Caution: Put on safety glasses. Drain oil if housing or current cover is equipped with a drain plug. Remove bolts from existing cover with 1/2" socket. (FIG1) Remove stock cover from housing.

Important: Remove all gasket residue from axle housing sealing surface. Do not let gasket material contaminate differential. Apply RTV sealant to housing flange. (see FIG2)

TACTIK Differential Cover Installation:

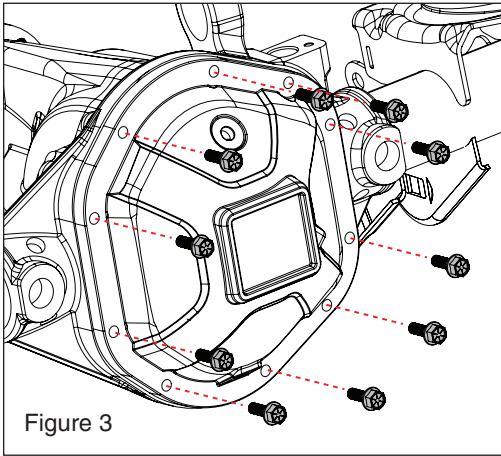


Figure 3
Install Differential Cover using supplied 5/16" Flange Bolts. (FIG3) With 1/2" socket, Torque bolts to 30 ft-lbs using a

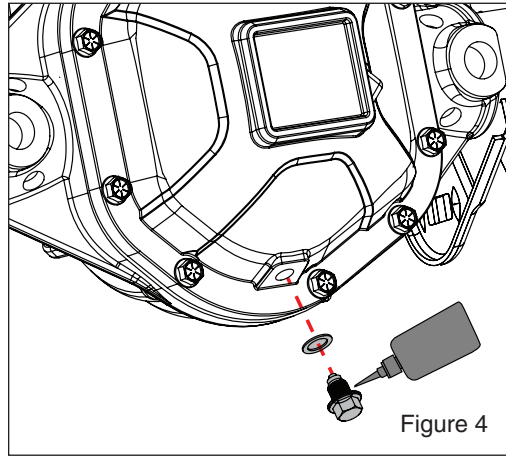


Figure 4
cross pattern. Install the Drain Plug and 1/2" Washer into bottom of Differential Cover with 14mm socket. (FIG4)

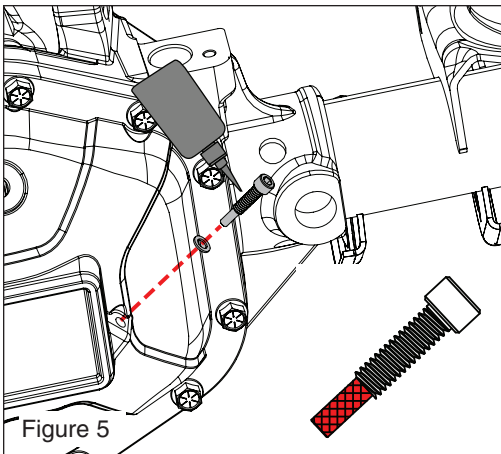


Figure 5
Install Dipstick Bolt and 1/4" washer with a 3/16" Allen Wrench. Fill housing with gear oil. Periodically remove & check dipstick bolt for correct capacity. This will be indicated by oil on the Dipstick Bolt in the highlighted area.

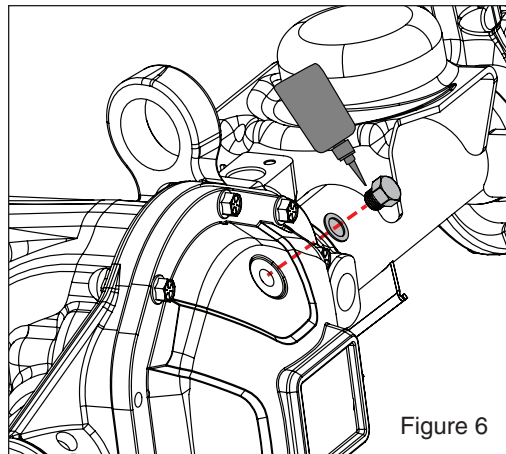


Figure 6
Do not fill past cross hatch marks. Be sure Dipstick Bolt is replaced after final check of full oil capacity. (FIG5)
Install Fill Plug and 1/2" Washer with a 16mm socket. (FIG6)

TACTIK

TACTIK® Exclusive Five Year Limited Warranty

Your TACTIK® branded accessories are covered by the following **Limited Warranty** provided exclusively by the TACTIK® Division of Quadratic, Inc. 1028 Saunders Lane, West Chester PA 19380.

This **Limited Warranty** is the only warranty made in connection with your purchase. TACTIK® neither assumes nor authorizes any vendor, retailer or other person or entity to assume for it any other obligation or liability in connection with this product or **Limited Warranty**.

What is Covered: Subject to the terms, exclusions and limitations herein and with respect only to TACTIK® branded accessories first sold in the United States, TACTIK® warrants to the initial retail purchaser only that your TACTIK® accessory shall be free of defects in material and workmanship: **for a period of five (5) years from date of retail purchase.**

This **Limited Warranty** is not assignable and shall terminate upon sale of the vehicle upon which the TACTIK® accessory is installed or other transfer third persons.

All other warranties are hereby disclaimed, except to the extent prohibited by applicable law in which case any implied warranty of merchantability or fitness for a particular purpose on this product is limited to 3 year from date of initial retail sale. TACTIK® reserves the rights to: (a.) require invoice or other proof your accessory is within the terms of this **Limited Warranty** as a condition of warranty service and, (b.) make future revisions to this product and **Limited Warranty** without prior notice or obligation to upgrade your product.

What is Not Covered:

Your TACTIK® **Limited Warranty** does not cover products or parts TACTIK® determines to have been damaged by or subjected to: (a.) installation damage, alteration, modification, combination with other parts, failure to

maintain or improper repair or service, (b.) normal wear & tear, cosmetic damage or damage from moisture or water immersion, (c.) Acts of God, accidents, misuse, negligence, inadequate mounting or impact with vehicle(s), obstacles or other aspects of the environment, (d.) theft, vandalism or other intentional damage.

Remedy Limited to Repair/Replacement:
The exclusive remedy provided hereunder shall, upon TACTIK® inspection and at TACTIK's option, be either repair or replacement of product or parts (new or refurbished) covered under this Limited Warranty.

Customers requesting warranty consideration should first contact TACTIK® to obtain a RGA number (610-701-3336). All labor, removal, shipping and installation costs are customer's responsibility.

Other Limitations - Exclusion of Damages - Your Rights Under State Law:

In consideration of the purchase price paid, neither TACTIK® nor any independent TACTIK® distributor/licensee are responsible for any time loss, rental costs, or for any incidental, consequential, punitive or other damages you may have or incur in connection with any part or product purchased. Your exclusive remedy hereunder for covered parts is repair/replacement as described above.

This **Limited Warranty** gives you specific rights. You may also have other rights that vary from state to state. For example, some states do not allow limitations of how long an implied warranty lasts and /or do not allow the exclusion or limitation of incidental or consequential damages, so the limitations and exclusions herein may not apply to you.

© TACTIK® 2016. All Rights Reserved.
1.13.16 LTR Version

Instruction Booklet #12999.3050

TACTIK®