

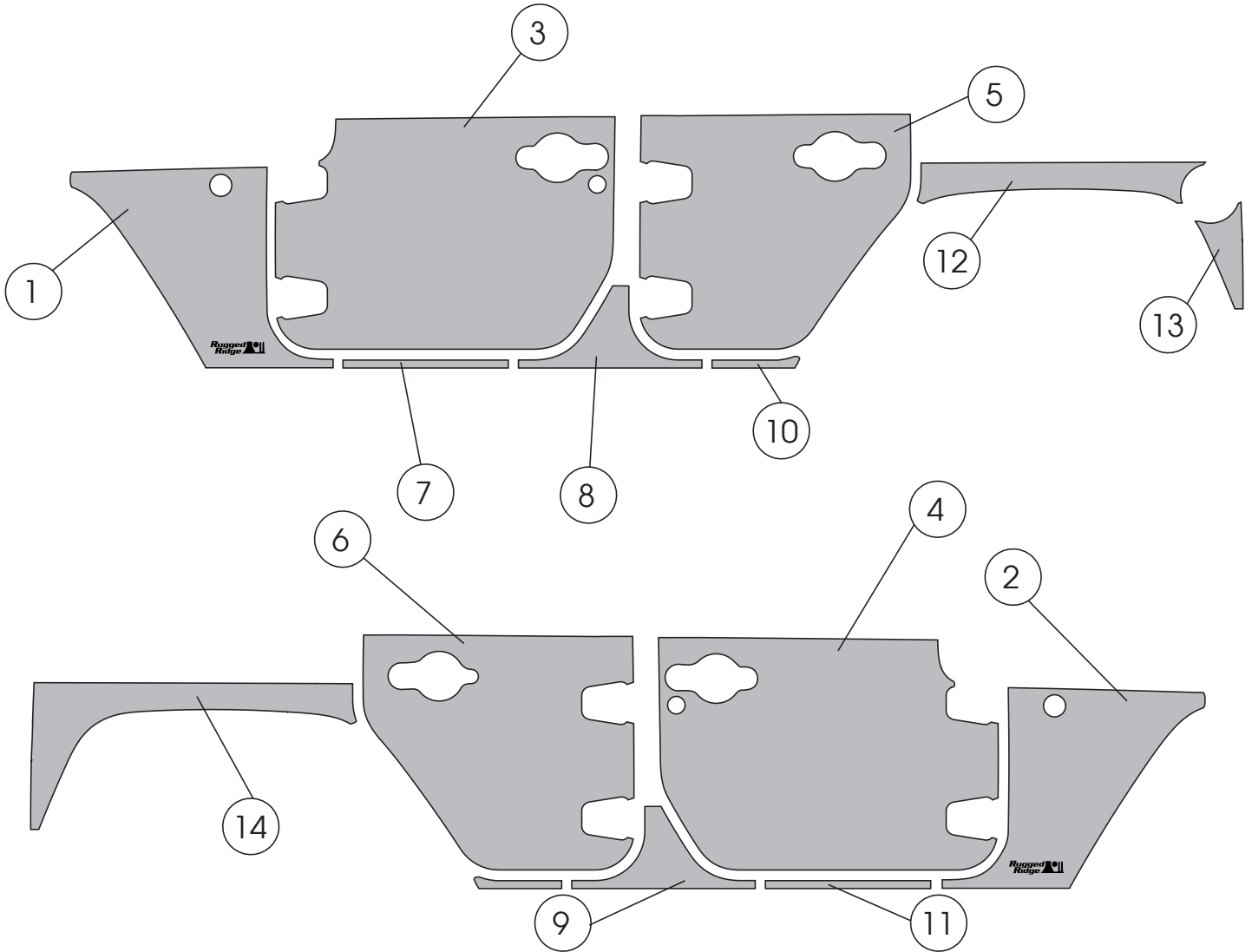


OMIX-ADA, Inc.

460 HORIZON DR. SUITE 400 | SUWANEE, GA 30024 | PHONE: 770-614-6101 | FAX: 770-614-6069 | info@omix-ada.com

Part #12300.53

# 4-Door JK Magnetic Body Panels



## 4-Door Components

- |                     |     |                      |     |
|---------------------|-----|----------------------|-----|
| 1. Front Fender, LH | (1) | 8. Door Seam #2, LH  | (1) |
| 2. Front Fender, RH | (1) | 9. Door Seam #2, RH  | (1) |
| 3. Front Door, LH   | (1) | 10. Door Seam #3, LH | (1) |
| 4. Front Door, RH   | (1) | 11. Door Seam #3, RH | (1) |
| 5. Rear Door, LH    | (1) | 12. Rear Fender #1   | (1) |
| 6. Rear Door, RH    | (1) | 13. Rear Fender #2   | (1) |
| 7. Door Seam #1     | (2) | 14. Rear Fender #3   | (1) |

**OMIX-ADA® TECHNICAL SUPPORT**

**PHONE:** M-F 8am - 5pm EST 1-800-449-6649 | **EMAIL:** techsupport@omix-ada.com

**FOR WARRANTY INFORMATION VISIT:** [www.Omix-Ada.com](http://www.Omix-Ada.com)



OMIX-ADA, Inc.

460 HORIZON DR. SUITE 400 | SUWANEE, GA 30024 | PHONE: 770-614-6101 | FAX: 770-614-6069 | info@omix-ada.com

## 4-Door JK Magnetic Body Panels

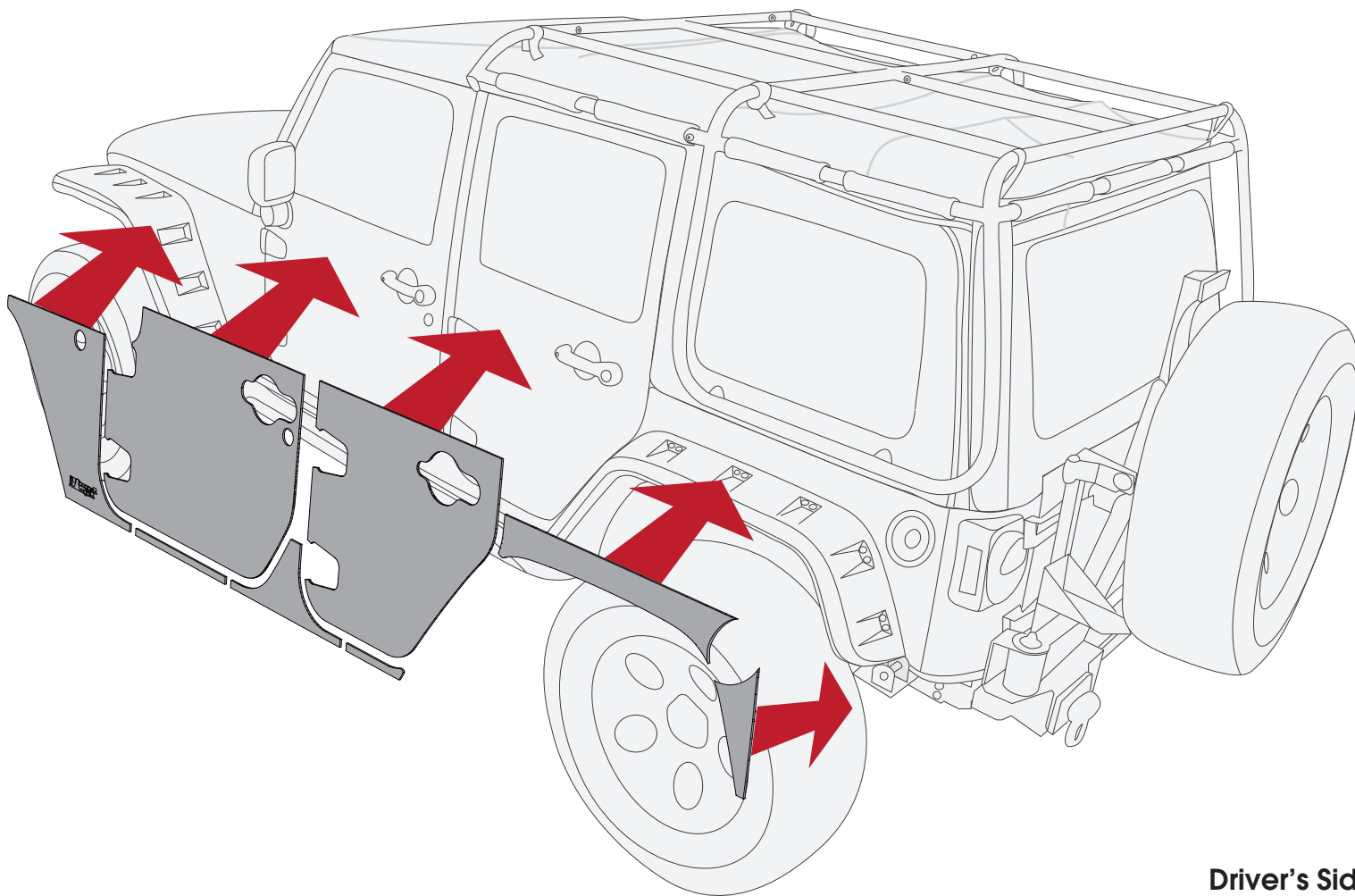
### To Install Magnetic Body Panels

1. Ensure area of vehicle and panels are clean by washing with a mild cleaning agent and air drying or drying with a soft cloth.

**NOTICE** Sub-zero temperatures may affect the strength of the Magnetic Body Panels. Installing Magnetic Body Panels in sub-zero temperatures is not recommended

2. Affix panels to vehicle as shown below. If panels need to be adjusted, remove entire panel and reapply. If trail badge does not match cutout in panel, remove badge and reapply to fit panel.

**NOTICE** Sliding Magnetic Body Panels on vehicle surface could cause scratching on vehicle surface or deformation of Magnetic Body Panels. To reposition, remove entire panels



Driver's Side

**OMIX-ADA® TECHNICAL SUPPORT**

**PHONE:** M-F 8am - 5pm EST 1-800-449-6649 | **EMAIL:** techsupport@omix-ada.com

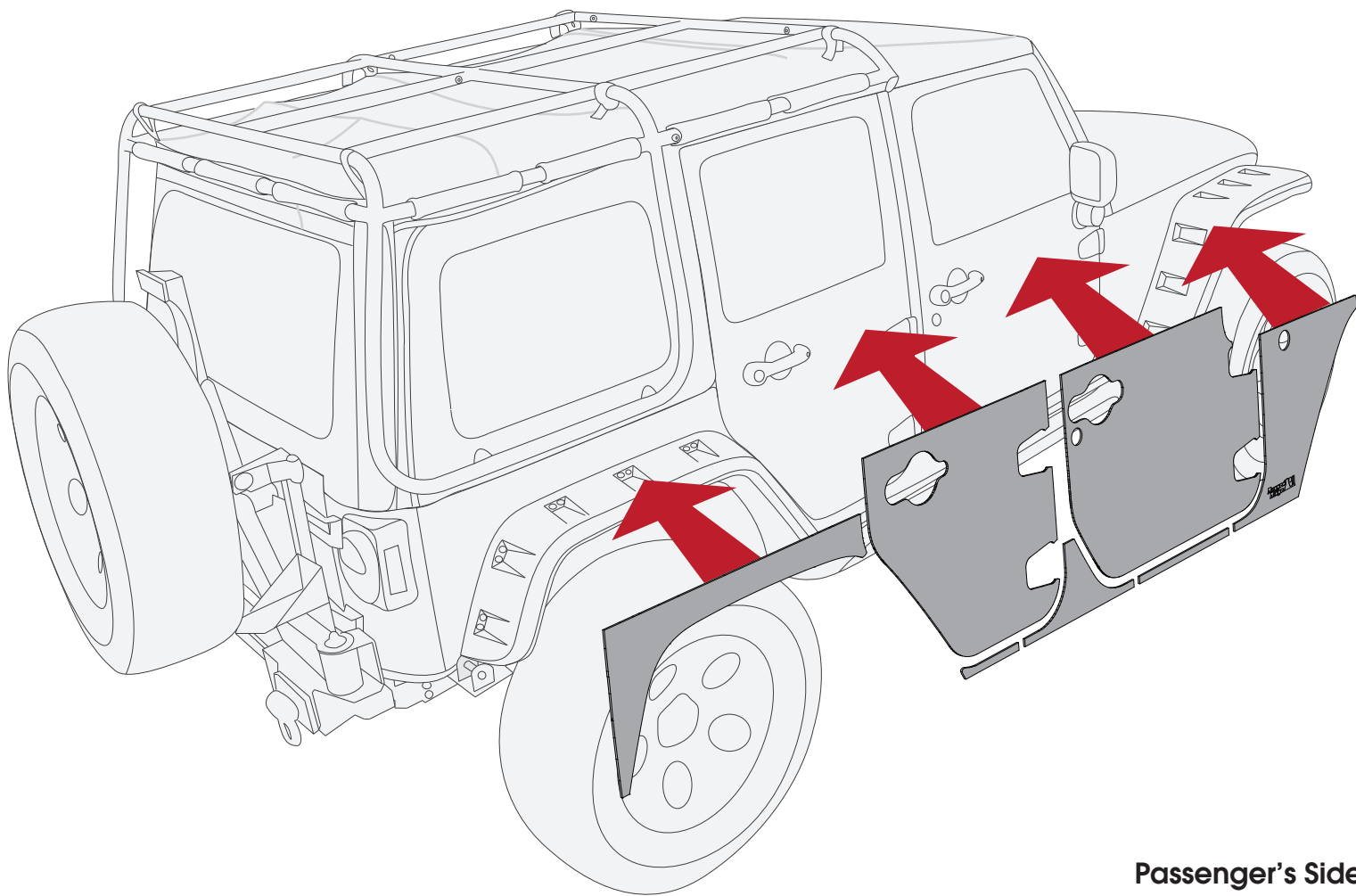
**FOR WARRANTY INFORMATION VISIT:** [www.Omix-Ada.com](http://www.Omix-Ada.com)



OMIX-ADA, Inc.

460 HORIZON DR. SUITE 400 | SUWANEE, GA 30024 | PHONE: 770-614-6101 | FAX: 770-614-6069 | info@omix-ada.com

## 4-Door JK Magnetic Body Panels



Passenger's Side

### Care and Maintenance

- Remove Magnetic Body Panels daily or after each use, especially if exposed to rain, mud, or other harsh conditions. Clean panels and vehicle and allow both to dry before reapplying.
- When not using Magnetic Body Panels, store in a clean, dry place, avoiding extreme temperatures. Storing in direct sunlight could cause damage or fading to the material.
- Store Magnetic Body Panels flat on a level surface to prevent warping or damage to the material. Do not allow magnetic surfaces to face one another.