



Bikini Installation Instructions



**For: International Scout II 1972 - 1980
(including Super Scout)**

Part Number: 52550

DO NOT INSTALL THIS PRODUCT ON ANY VEHICLE OTHER THAN THOSE LISTED ABOVE.

Please Note

If your vehicle does not have a Bestop Supertop part number 51530, you will need to purchase a Bestop Windshield Header part number 51207 to install this Bikini.

Installation Tips

Before you begin installing this top assembly, read all instructions thoroughly. After completing the installation, keep these instructions for further reference. Below are a few tips to make this installation easier.

For a smooth fit:

For ease in installation, the top should be installed at temperatures above 72° F. Below this temperature, the top may contract an inch or more, making it difficult to fit to the vehicle.

It is normal for a top to contract and wrinkle when stored in the shipping carton. Within a few days after the installation, the top will relax and the wrinkles will disappear.

0801 Rev. A



WARNING

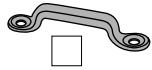
This product is designed to enhance the appearance of the vehicle and to shield the occupants from ordinary weather conditions. Do not rely in any way on the components of this product to contain occupants within the vehicle, or to protect against injury or death in the event of an accident. This top will not protect the occupants from falling objects. Never operate vehicle in excess of manufacturer's specifications.

WEAR SEAT BELTS AT ALL TIMES

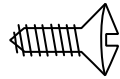
Read and follow, precisely, all installation instructions provided when installing top. Failure to do so may result in a poor fitting top and could place occupants of the vehicle in a potentially dangerous situation. Failure to properly install or reinstall this product may cause the top or a component part to come off the vehicle, potentially causing an accident and possible injury to the occupants of the vehicle. After installing or reinstalling the top, check to make sure it has been properly installed.

Parts List and Hardware Identification

Bikini Top, Qty - 1



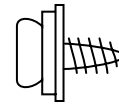
Footman Loop,
Qty - 2



#10 x 1/2" Oval Head
Phillips Screw, Qty - 4



Snap Head Screw,
Qty - 2



Tools Needed

5/32" and 3/32" Drill Bit and
Drill Motor
Phillips Screwdriver
Center Punch
Safety Glasses

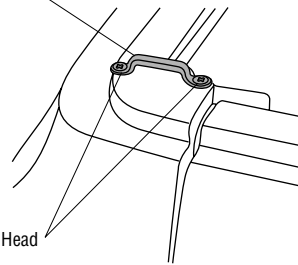
Bikini Installation

Step One

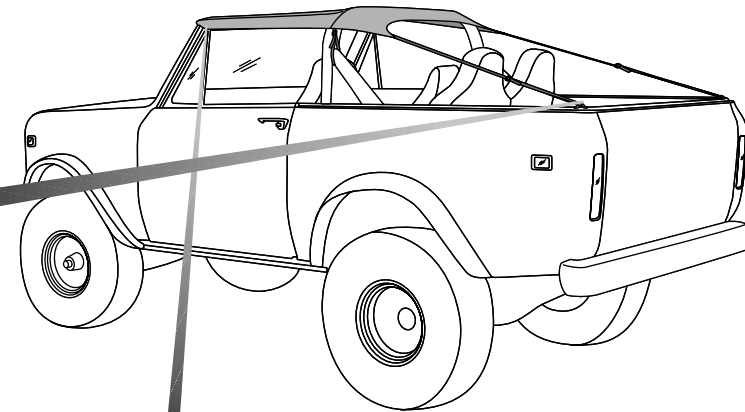
Install Footman Loops

Install the Footman Loops on the rear corners of the vehicle. Center the loops on the top, rear corner on each side of the vehicle. Use the loop as a template to mark, center punch and drill two 5/32" holes. Install the Footman Loop with two #10 x 1/2" Oval Head Phillips Screws. Do this on both sides of the vehicle.

Footman Loop



#10 x 1/2" Oval Head
Phillips Screw

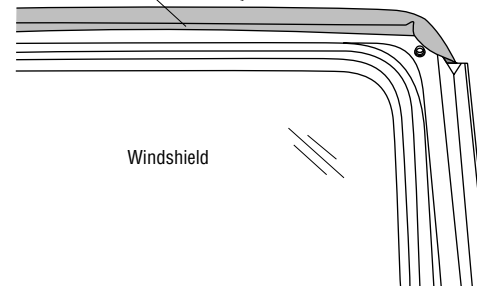


Step Two

Install Bikini Fabric

Slide the extrusion along the front of the Bikini into the channel in the windshield header. Make sure the fabric is centered on the vehicle.

Slide Extrusion
into channel

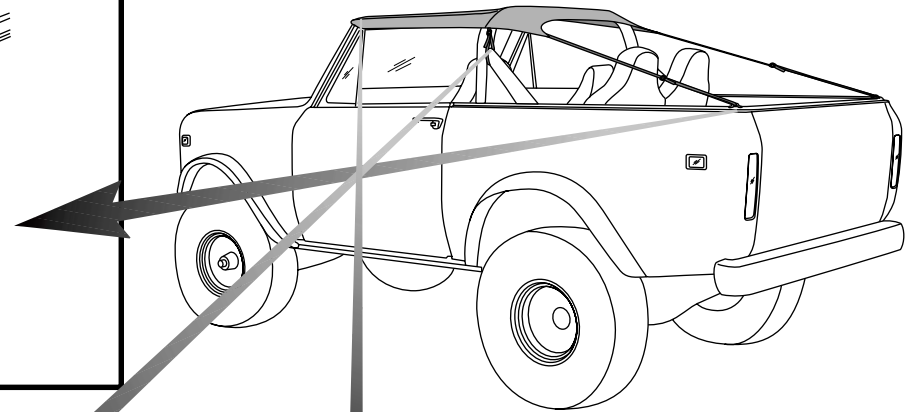
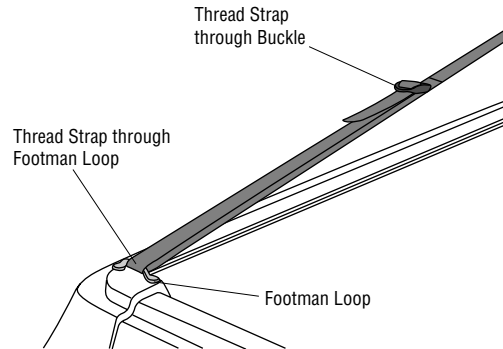


Windshield

Step Three

Secure Long Straps

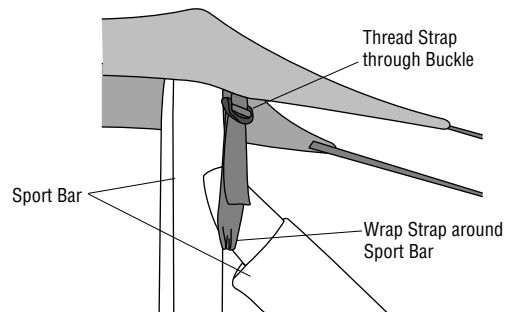
Pull one of the long straps on the rear of the Bikini to the Footman Loop on the rear of the vehicle. Thread the strap through the loop. Pull the end of the strap back and thread it through the buckle sewn to the strap. Repeat this with the other strap.



Step Four

Secure Short Straps

Make sure the Bikini is centered above the windshield. Wrap the short straps sewn to the top around the sport bars and thread them through the buckles sewn to the top.



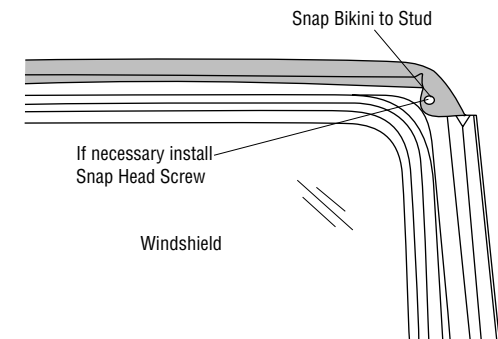
Step Five

Secure Windshield Snaps

Snap the Bikini to the studs above the windshield.

If your vehicle does not have these studs mark the location of the snaps on the Bikini. Center punch and drill a 3/32" hole at these locations. Install a Snap Head Screw in each hole.

Tighten all straps.



Care and Maintenance of your Bestop Top

Your top is made of the finest materials available. To keep it looking new and for the maximum possible wear, it will need periodic cleaning and maintenance.

Washing: The top fabric should be washed often using soap, warm water and a soft bristle brush. Rinse with clear water to remove all traces of soap.

Water: Seeping through at the seams may be stopped by applying 3-M Scotchgard® on the inside of the seams. Rips in the fabric may be repaired with Bondex® iron on patches. Iron the patches to the Inside of the top, carefully following the Bondex® instructions.

Snaps: Keep snaps cleaned and lubricated with silicone to help prevent snaps from sticking to the studs. If a snap does become stuck to a stud, use a screwdriver and GENTLY pry apart to prevent permanent damage to the snap or the top fabric.

LIMITED WARRANTY

We warrant our product to be free from defects in material and workmanship, for the terms specified below, provided there has been normal use and proper maintenance. This warranty applies to the original purchaser only. All remedies under this warranty are limited to the repair or replacement of any item or items found by the factory to be defective within the time period specified.

If you have a warranty claim, first you must call our factory at the number below for instructions. You must retain proof of purchase and submit a copy with any items returned for warranty work. Upon completion of warranty work, if any, we will return the repaired or replaced item or items to you freight prepaid. Damage to our products caused by accidents, fire, vandalism, negligence, misinstallation, misuse, Acts of God, or by defective parts not manufactured by us, is not covered under this warranty.

THE WARRANTY TIME PERIOD IS AS FOLLOWS: ALL "SOFT GOODS" MANUFACTURED BY OUR COMPANY (USING PRIMARILY VINYL, PLASTICS, AND/OR FOAM): ONE YEAR FROM DATE OF PURCHASE.

ANY IMPLIED WARRANTIES OF MERCHANTABILITY AND/OR FITNESS FOR A PARTICULAR PURPOSE CREATED HEREBY ARE LIMITED IN DURATION TO THE SAME DURATION AND SCOPE AS THE EXPRESS WRITTEN WARRANTY. OUR COMPANY SHALL NOT BE LIABLE FOR ANY INCIDENTAL OR CONSEQUENTIAL DAMAGE.

Some states do not allow limitations on how long an implied warranty lasts, or the exclusion or limitation of incidental or consequential damages, so the above limitations or exclusions may not apply to you.

This warranty gives you specific legal rights, and you may also have other rights which vary from state to state.

For further information or request for warranty work, please contact:

Bestop Inc.
Customer Service
(800)346-3910
(303)465-1755