



INSTALLATION INSTRUCTIONS

WARN TIRE CARRIER AND BUMPER

As you read these instructions, you may see **NOTES**, **CAUTIONS** and **WARNINGS**. Each message has a specific purpose. **NOTES** are additional information to help you complete a procedure. **CAUTIONS** are safety messages that indicate a potentially hazardous situation which, if not avoided, may result in minor or moderate injury. A **CAUTION** may also be used to alert against unsafe practice. **WARNINGS** are safety messages that indicate a potentially hazardous situation, which, if not avoided could result in serious injury. **CAUTIONS** and **WARNINGS** identify the hazard, indicate how to avoid the hazard, and advise of the probable consequence of not avoiding the hazard. **PLEASE WORK SAFELY!**

NOTE: Additional spacers and bolts are provided in a separate bag for Jeep CJ models. Some applications may require additional spacers to clear hinges and hardtop latches due to variance in frame to body alignment.

NOTE: This installation may require some drilling on certain models. Holes may need to be drilled through the side of the frame if they do not currently exist.

NOTE: Hartop models may require rotating the rear glass window handle 90° to eliminate interference with the tire carrier.

General Information:

- Instructions for CJ, YJ, TJ
- Will not accommodate tires larger than 35 x 15.50 or 36 x 12.50 or 150 lbs.
- Factory bumper and tire carrier will need to be removed to install tire carrier.
- The 3rd Brake light will need to be relocated when using this tire carrier. Location may vary due to tire size. See instructions.
- 3 lug nuts, ½"-20, will be required to mount spare tire to tire carrier.
- CJ vehicles will **Require** qty 1 of Chrysler P/N 55013350. This is a tailgate bump stop off of a TJ that will be used to eliminate rattling or vibrations.

Step by Step Instructions:

1. Remove the factory bumper and tire carrier. On TJ models, remove the license plate and license plate mount from body. Save the mounting hardware.
2. Remove the tire carrier, bumper, and hardware from boxes.
3. On 97-01 TJ models, some of the rear 8 frame holes may not be in the frame. These holes are the inner four, two on each side of vehicle. They must be drilled to $7/16"$. Use figure 2 to locate these holes.

NOTE: Some TJ model vehicles may not have all 8 mounting locations on the rear frame area. If not all 8 locations are in the frame, measure the supplied bumper mounting points and match these measurements on the frame. Drill the frame holes to $7/16"$. **See Figure 1.**

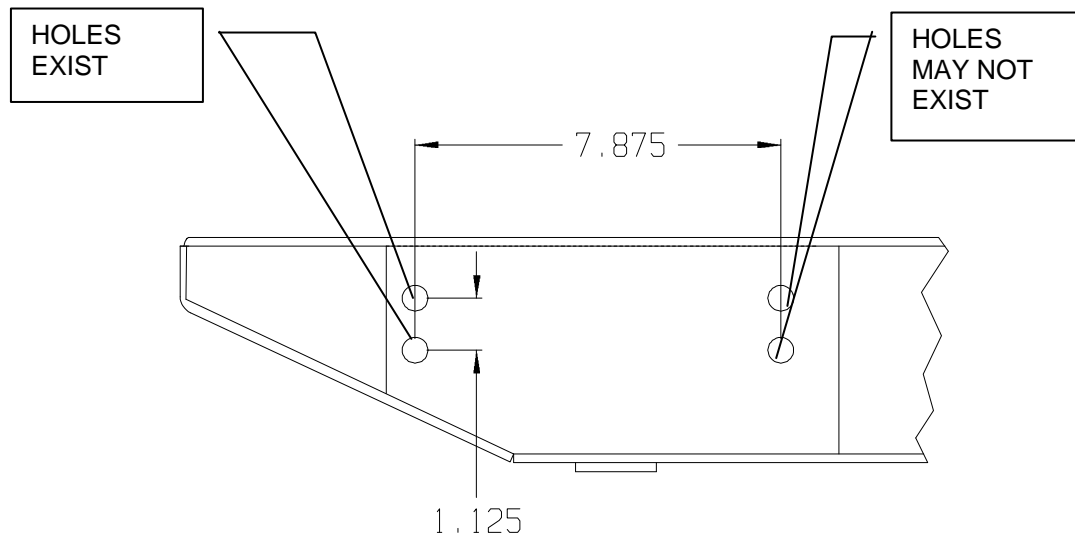


Figure 1



WARNING



Drilling operations can cause flying metal chips. **WEAR SAFETY GOGGLES.** Flying metal chips can cause eye injury.

4. Place the new bumper against the back of the vehicle frame. Using the $3/8"$ hardware provided, insert a bolt, lock washer, and washer through the appropriate frame stiffener, rear frame section, $1/2"$ thick spacer (on CJ models) OR $1/4"$ thick spacer on YJ/TJ models, and start into the bumper. On CJ models, use the $3/8"$ x $1-3/4"$ bolts on the all eight rear frame holes. On YJ/TJ models, use $3/8"$ x $1-3/4"$ bolts in the four outer hole locations and the $3/8"$ x $1-1/2"$ bolts on the four inner hole locations. **See Figure 2 or 3 depending on vehicle. Do not tighten bolts at this time.**

Note: It will be easier to get a bolt started on each side and then insert the spacers between the mating surfaces of the bumper and frame. Slide one spacer up in between the bumper and frame and start both top and bottom bolts. Then move to the next locations and repeat the insertion of the spacer. Repeat this for all of the rear frame locations.

On some TJ and YJ models, it may be necessary to loosen the gas tank skid plate to allow for enough hand room to access the inner bolt hole locations.

Note: On some CJ models it may be necessary to use additional spacers to prevent interference between the tire carrier and the tailgate hinges.

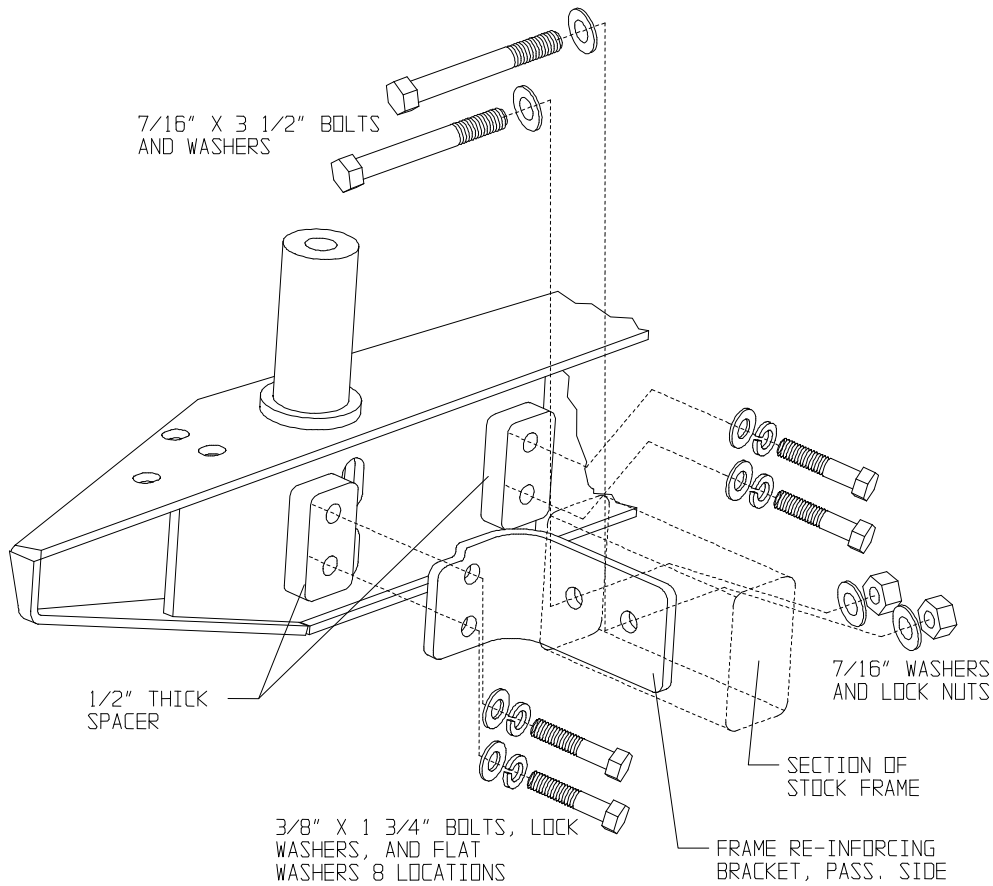
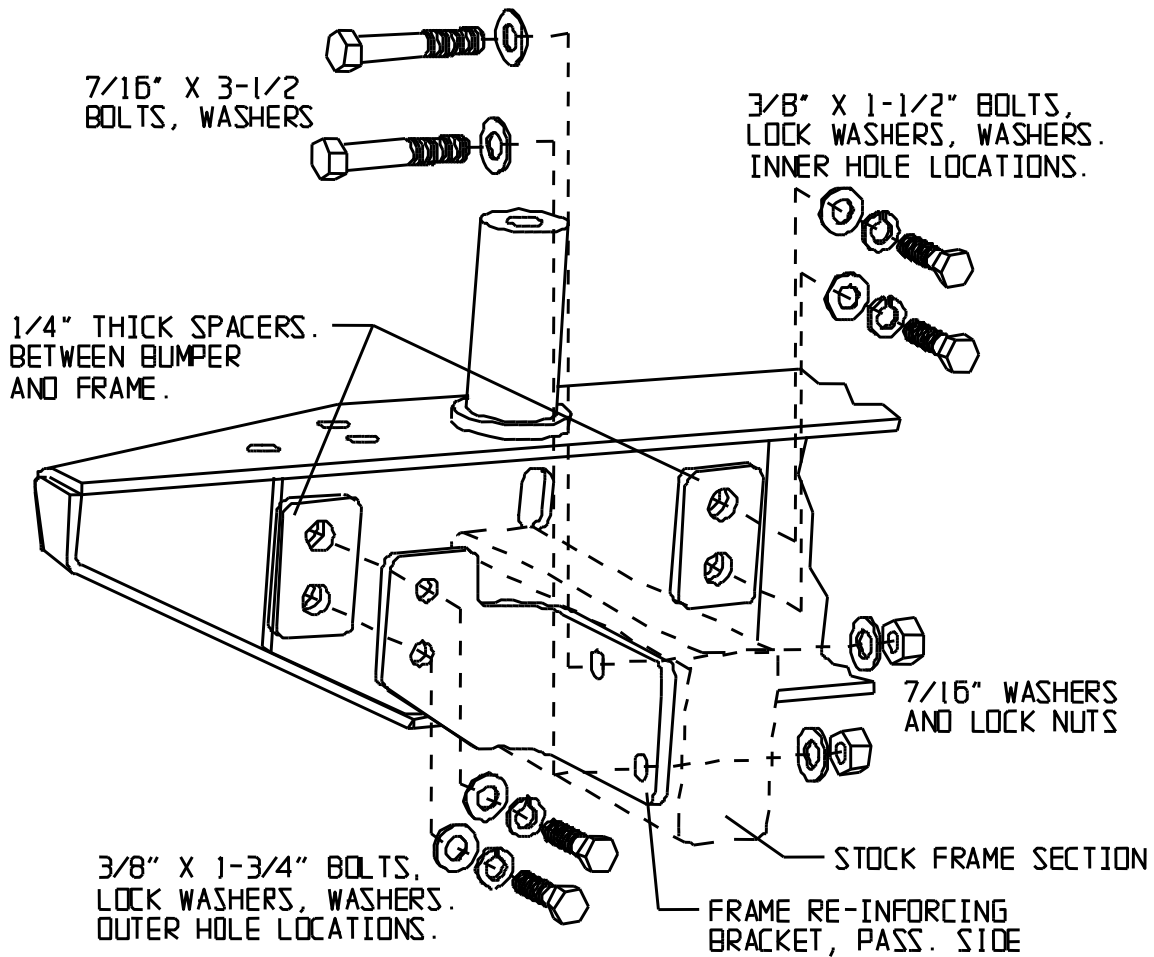


Figure 2, CJ VEHICLE, PASSENGER'S SIDE SHOWN, DRIVER'S SIDE OPPOSITE



PASSENGER'S SIDE ASSEMBLY OF BUMPER AND FRAME STIFFENING BRACKET

Figure 3, YJ and TJ VEHICLES, PASSENGER'S SIDE SHOWN, DRIVER'S SIDE OPPOSITE, TJ FRAME STIFFENING BRACKETS SHOWN, YJ HAS SAME SPACERS AND HARDWARE, BUT WITH DIFFERENT FRAME STIFFENING BRACKET.

5. Install the tire carrier to bumper. This must be done before tightening of the eight frame bolts. **If installing on TJ model**, remove the plastic license plate mount from the vehicle, it will be trimmed slightly in the bottom corner later. **If installing on TJ and YJ models**, it is necessary to remove all of the factory rubber tailgate bumpers except the upper one on the driver's side. Place the nylon washer over the post in the bumper and slide it all the way down. Place the round tube end of the tire carrier on the post sticking up out of the passenger's side of the bumper and slide it all the way down. **See Figure 4.**

6. Once the tire carrier is installed on the post in the bumper, finger tighten all eight bolts that mount the bumper to the frame. Then, insert the single oblong hole spacers between the bottom of the frame and the bottom tabs on the bumper. Insert the 7/16" x 1 1/2" bolts, lock washers and washers through the bottom tabs on the bumper and the spacer and finger tighten.
7. Once all of the fasteners are finger tight, adjust bumper position if necessary. Tighten the 3/8" fasteners to 30-34 ft/lbs and the 7/16" fasteners to 46-50 ft/lbs.
8. Using a drill and 7/16" bit, drill through the inner frame rail using the stiffening bracket and existing outer frame holes on the out side of frame. A good precaution would be to place a piece of metal between the inner frame rail and the gas to prevent from damaging anything on the inside of the frame rails. Checks to see if any wires or lines are attached in the drilling locations. If lines or wires are found, temporarily move them out of the way during the drilling process. Repeat this for the other side of vehicle. **See Figure 2 or 3 depending on vehicle.**



WARNING



Drilling operations can cause flying metal chips. **WEAR SAFETY GOGGLES.** Flying metal chips can cause eye injury.

9. Insert the 7/16" x 4" bolts and flat washers through the frame stiffener bracket and frame rail and finger tighten using the supplied 7/16" hardware. Torque the 7/16" hardware to 46-50 ft/lbs. **See Figure 2 or 3 depending on vehicle.**
10. Install the post support bracket to the bumper. Using the supplied 5/8 x 1 1/2" bolt, lock washer, and washer, hand tighten the bracket to the post. Then install the 3 supplied 7/16 x 1 1/2" bolts and washers through the support bracket and the bumper. Install a 7/16" washer, lock washer and nut on each bolt inside the bumper. It may be necessary to use a magnet or needle nose pliers to install the nuts and washers onto the bolts. On CJ models it may be necessary to install the two bolts that are furthest forward and match drill the 3rd rear hole. This is due to the tight packaging of the bumpers ends. **See Figure 4.**

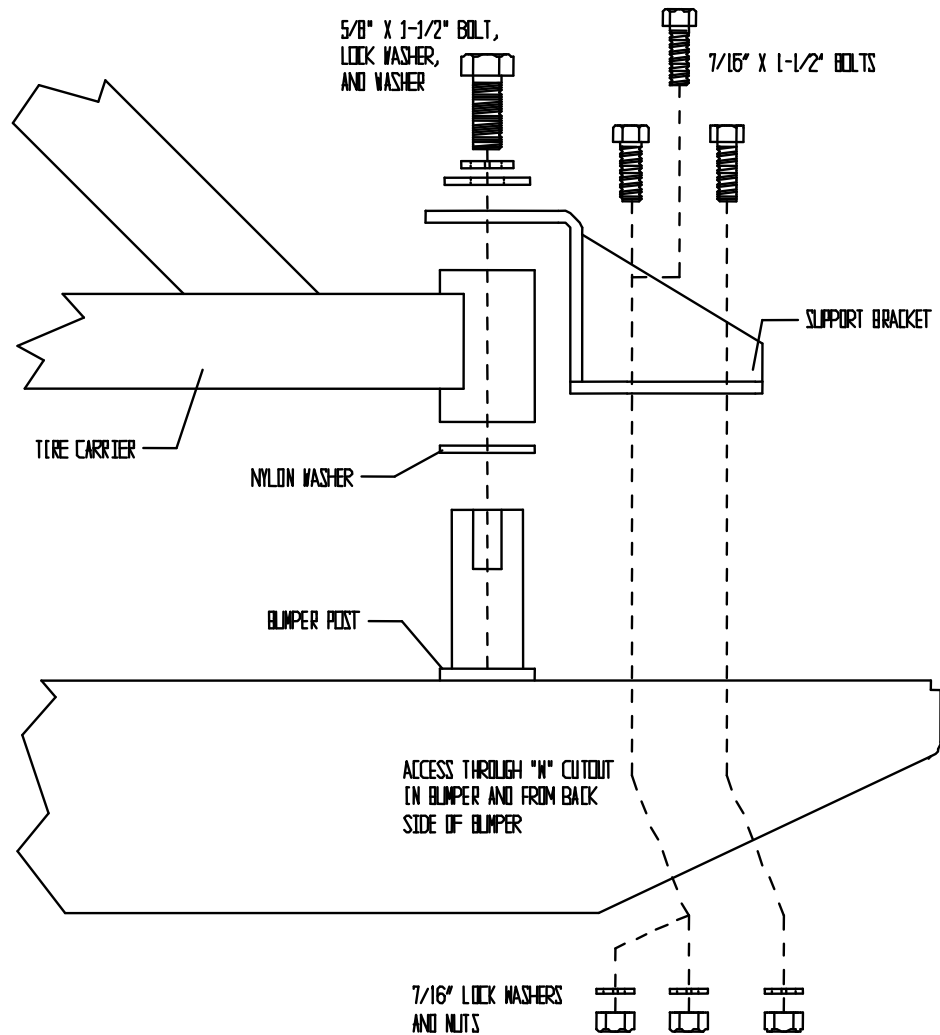


Figure 4

11. Once the tire carrier and support bracket are assembled, torque the 7/16" hardware to 46-50 ft/lbs and the 5/8" hardware to 70-90 ft/lbs.
12. Install the supplied zerk fitting into the supplied hole in the tire carrier pivot tube. Once installed, use a grease gun to lubricate the pivot.
13. Close the tire carrier. Install the spare tire to the tire mounting bracket. Use the three wheel studs supplied. The wheel studs can be pressed in or use a vise and hammer to install them. They can also be installed by installing the tire and use lug nuts to tighten and the studs will pull in when tightening the studs.
14. Once the studs are installed, attach the tire to the mounting bracket. Slide the tire mounting bracket, on the backside of the wheel, into the bracket mounting tube on the tire carrier. With the tire pushed all the way in, mark the tire mounting bracket using the supplied hole in the tire carrier tube. Remove the tire and tire mounting bracket from the carrier. **See Figure 5.**

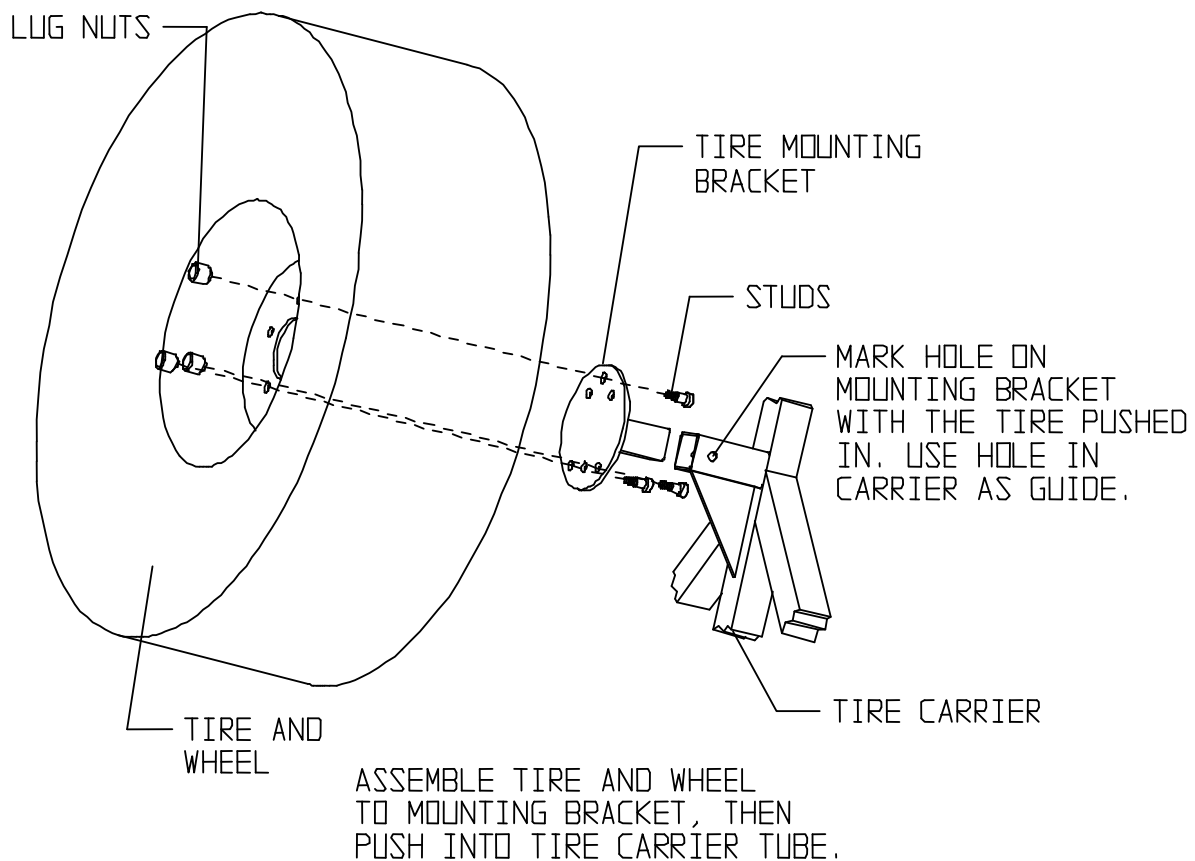


Figure 5

15. Remove the tire and wheel from the mounting bracket. Using the marked location on the tire mounting bracket in the previous step, measure $\frac{1}{4}$ " back toward the wheel mounting surface. This will give the tire pre-load when mounted. Using a $\frac{1}{2}$ " drill bit, drill a hole through both sides of the tire mounting bracket at the marked location. Be sure to re-mark the hole $\frac{1}{4}$ " closer to the tire mounting surface for pre-load. **See Figure 6.**

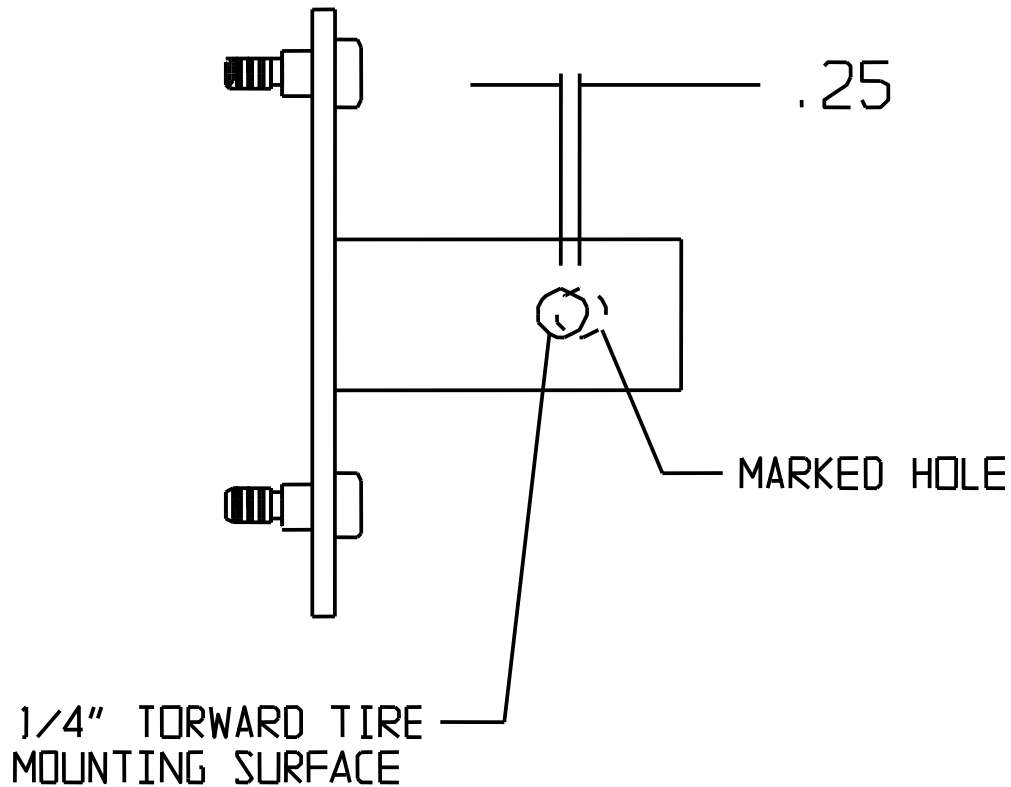


Figure 6



WARNING



Drilling operations can cause flying metal chips. **WEAR SAFETY GOGGLES.** Flying metal chips can cause eye injury.

16. After drilling the hole in step 17, slip the tire mounting bracket into the tube on the tire carrier. Using the supplied $\frac{1}{2}$ " x 3" bolt, washers, and lock nut, bolt the mounting bracket to the carrier. Torque the $\frac{1}{2}$ " bolt to 55-60 ft/lbs.
17. Mount the tire and wheel to the tire carrier with lug nuts. Locking lugs can be used to prevent theft.
18. Assemble the latch mechanism. Insert the handle through the hole in the top of the tire carrier tube. Then insert the supplied coil spring through the rectangular hole in the bottom of the tube. Insert the striker latch through the same rectangular hole. The handle will be inserted into the $\frac{1}{2}$ " diameter hole in the striker. Line up the small cross-holes in the handle and the striker. Insert the roll pin, by tapping it with a hammer, through the hole in the striker and the handle. It should be flush on both sides of the striker when installed fully. See **Figure 7** for exploded view of assembly.

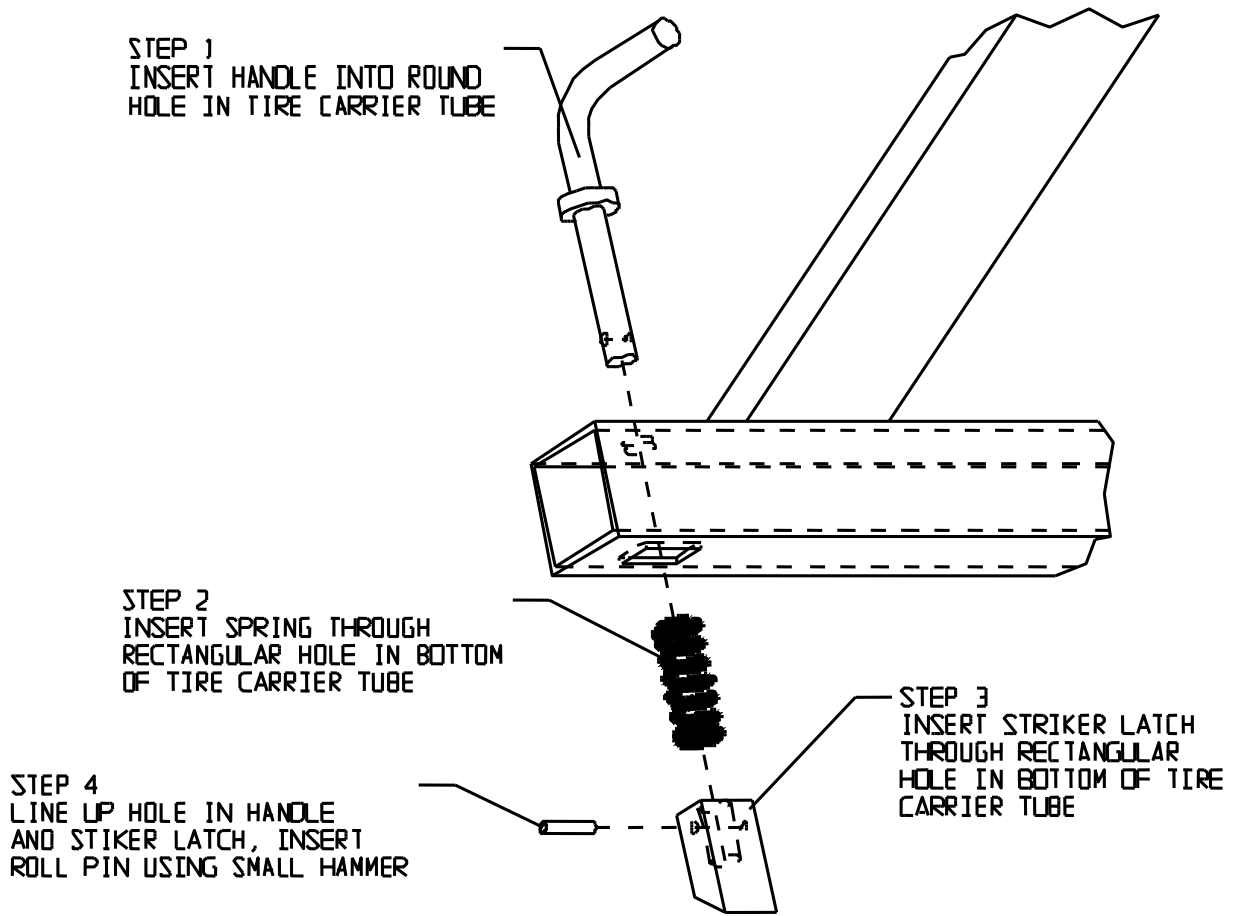


FIGURE 7, EXPLODED VIEW OF LATCH ASSEMBLY.

19. There is a flat plate welded to the tire carrier framework. A rubber bumper should be mounted to either the flat plate or the tailgate to prevent the tire carrier from rocking back and forth on rough terrain on CJ models, **see step 24 for CJ installation.** The TJ and YJ have these rubber bumpers mounted on the tailgate already. It may be necessary to shim the driver's side top bumper out away from the tailgate to have slight pressure on the flat plate when the assembly is in the closed position. **See Figure 8.**

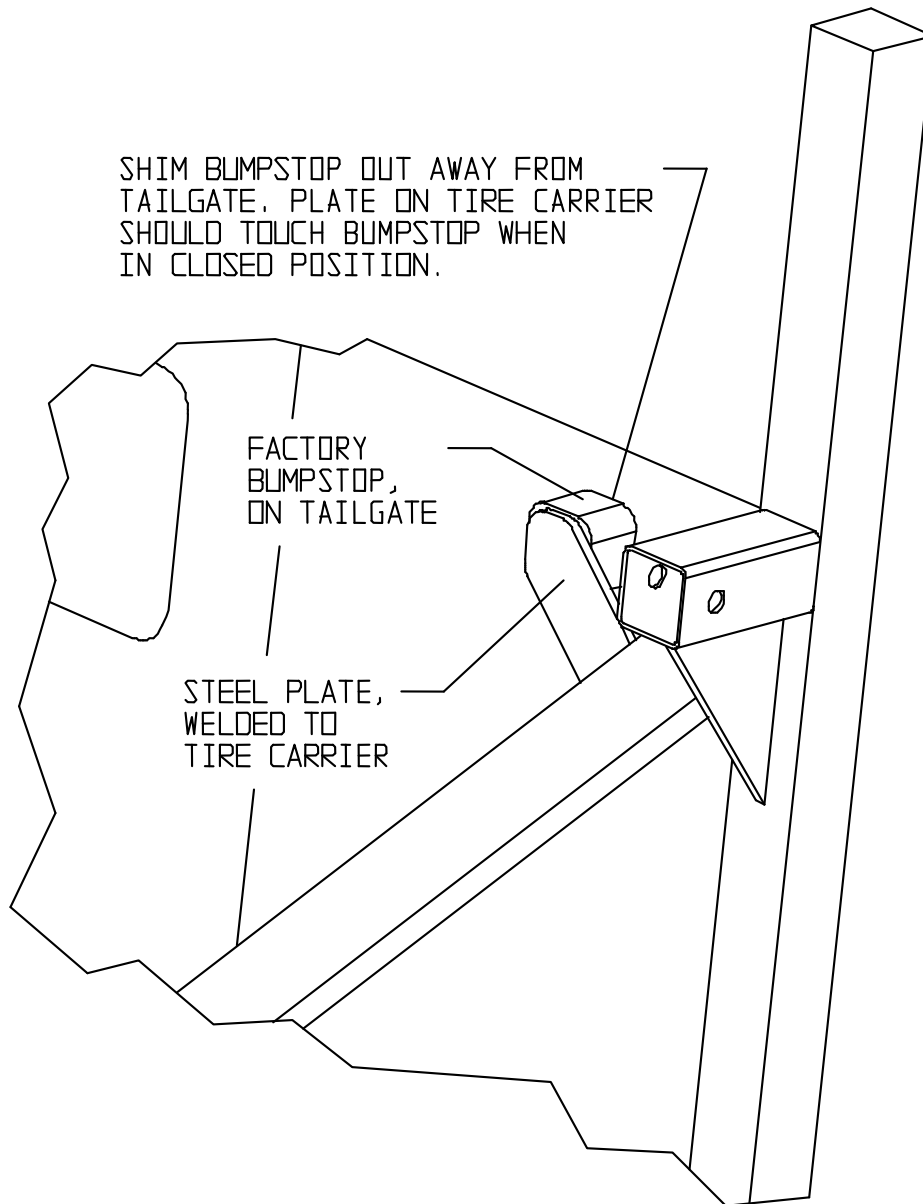


Figure 8, Factory Tailgate Bumpstop, TJ and YJ models.

20. A CB antenna may be mounted to either the bumper or tire carrier. The reception of the CB should be better if mounted to the bumper. The tire carrier may not give a sufficient ground. Many customers have just drilled a hole on one side of the bumper at the ends.

21. On TJ models, using the two supplied brackets, mount the brackets to the body with the factory screws. The end of the bracket with the standard hole is mounted to the body. The slotted holes are used for mounting the license plate. Align the two brackets so they are rotated up 5 degrees and going away from the tailgate. Tighten the factory screws. Using the 1/4" hardware provided, insert a bolt with flat washer through the license plate and the bracket and finger tighten with a lock washer and nut. Repeat this for both brackets. **See figure 9.**

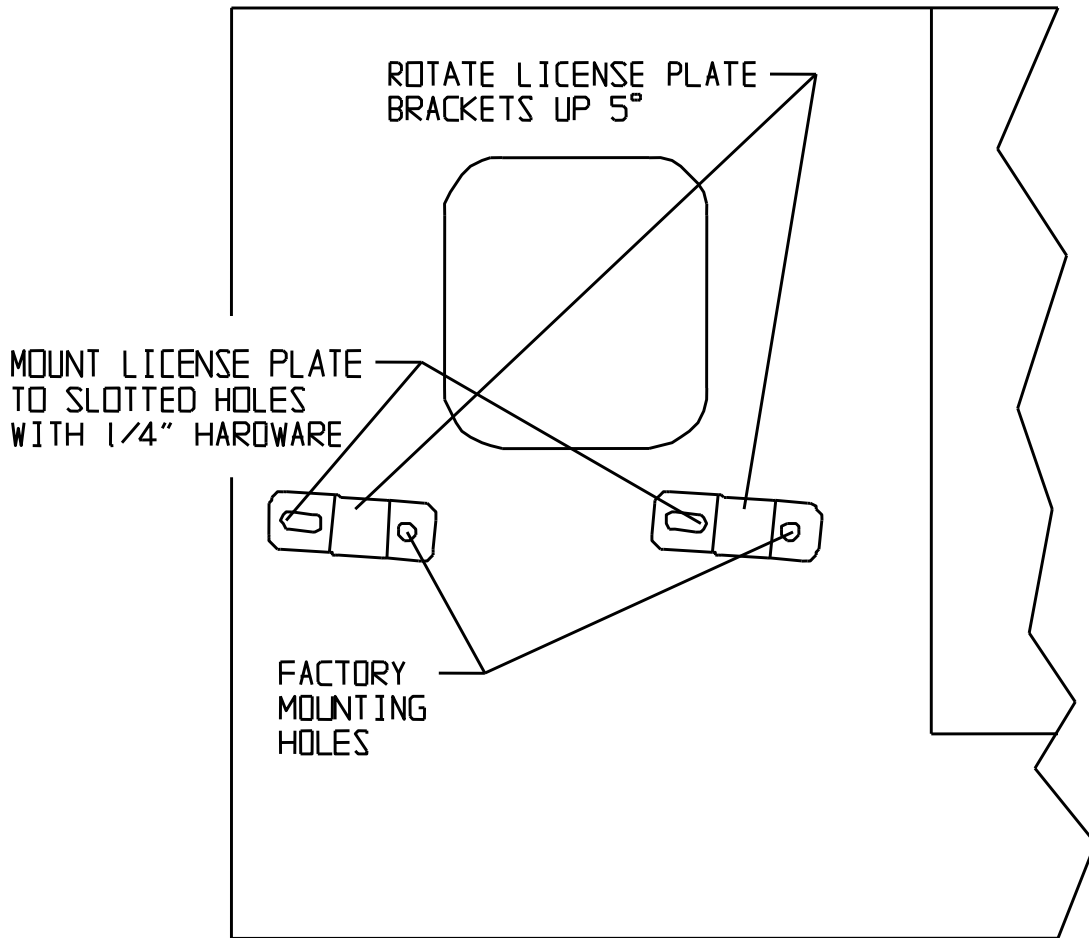


FIGURE 9, MOUNTING BRACKETS FOR LICENSE ON TJ MODELS ONLY

22. On TJ and YJ vehicles with a 3rd brake light, it will be necessary to re-install the light. This can be easily done by cutting the Original Bracket and mounting it to the vertical post on the new tire carrier. Two small screws are supplied for mounting it. **See Figure 10.**

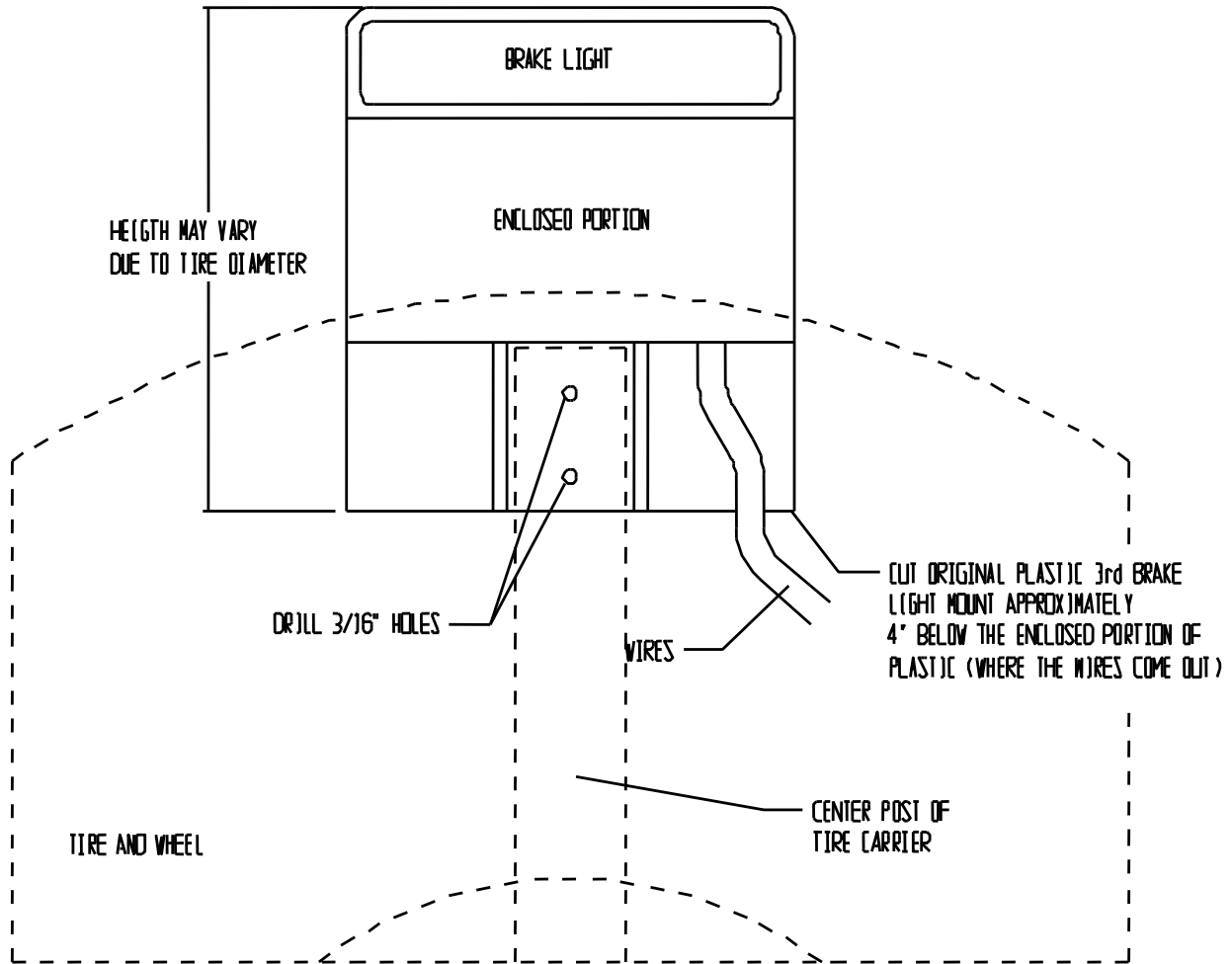


Figure 10, 3rd BRAKE LIGHT MOUNTING

23. On CJ vehicles it is required to install a rubber tailgate bumper. The Chrysler/Jeep P/N is **55013350** and is available at Jeep Dealer Parts Departments. A picture is included for reference. Depending on the alignment of the body to frame on your specific vehicle, it may be necessary to shim the rubber bumper out from the tailgate or sand it down, more than likely it will be sanded down.

NOTE: Very slight pressure should be on the rubber bumper when the tire carrier is in the closed position. Due to vehicles being vastly different and very old, be sure that the tire carrier is vertical when it is in the closed position and there is slight pressure on the tailgate bumper. This may require that more pressure be added to the tailgate bumper to get a vertical reading in the closed position. This will verify that the carrier will not rattle on the tailgate hinges.

With the tire carrier in the closed position, try to slide the rubber bumper in between the tailgate and welded tab on the tire carrier. In the photo below the bottom edge of the rubber bumper has been sanded off at a 45-degree angle to allow the rubber

bumper to be lower on the tailgate. Once the correct position is found, mark the tailgate. Open the tire carrier and mark the hole in the center of the rubber bumper. The rubber bumper can either be bolted on through the tailgate or sheet metal screwed to the tailgate.



Photo of Rubber Bumper on CJ tailgate.



WARNING



Drilling operations can cause flying metal chips. **WEAR SAFETY GOGGLES.** Flying metal chips can cause eye injury.

24. Once all of the above steps are completed, recheck all of the mounting bolts for proper torque.

25. Periodically fill the grease zerk on the tire carrier to prevent corrosion and binding.



INSTRUCTIONS D'INSTALLATION PORTE-ROUE ET PARE-CHOCS WARN

Les directives suivantes comprennent des indications intitulées **REMARQUE**, **MISES EN GARDE** et **AVERTISSEMENT**. Chacune d'entre elles comporte un objectif bien précis : les **REMARQUES** donnent des renseignements additionnels qui aident à accomplir une procédure. Les **MISES EN GARDE** comprennent des mesures de sécurité signalant un danger potentiel qui, s'il n'est pas évité, peut entraîner des blessures légères ou modérées. La **MISE EN GARDE** sert aussi à signaler une utilisation dangereuse. **AVERTISSEMENT** présente des consignes de sécurité soulignant un danger potentiel qui, s'il n'est pas évité, peut entraîner des blessures graves. **MISE EN GARDE** et **AVERTISSEMENT** identifient un danger, indiquent comment l'éviter et montrent ses conséquences possibles si on l'ignore. **TRAVAILLEZ PRUDEMMENT!**

REMARQUE : Des pièces d'espacement et des boulons supplémentaires sont fournis dans un sachet séparé pour les modèles Jeep CJ. Pour certaines applications, il faut des pièces d'espacement supplémentaires pour passer au-dessus des charnières et des loquets des toits amovibles, en raison des écarts entre le cadre et la carrosserie.

REMARQUE : Cette installation peut nécessiter de percer sur certains modèles. Il faudra éventuellement percer au travers du côté du cadre si les trous n'existent pas déjà.

REMARQUE : Pour les modèles dotés d'un toit amovible, il faut parfois faire tourner la poignée de la vitre arrière de 90° pour éviter toute interférence avec le porte-roue.

Généralités :

- Instructions pour CJ, YJ, TJ
- Ne convient pas à des pneus de dimensions supérieures à 35 x 15,50, 36 x 12,50 ou 68 kg.
- Il faudra démonter le pare-chocs et le porte-roue d'origine pour installer le nouveau porte-roue.
- Il faudra déplacer le 3^{ème} feu de freinage pour pouvoir utiliser ce porte-roue. Son emplacement peut varier en fonction des dimensions du pneu. Cf. instructions.
- Il faudra 3 écrous de roue ½ po.-20 pour monter la roue de secours sur le porte-roue.
- Il **faudra** 1 pièce réf. 55013350 pour les modèles CJ. Il s'agit d'une butée de hayon d'un modèle TJ qui permettra d'éliminer les cliquetis ou les vibrations.

Consignes étape par étape :

1. Démontez le pare-chocs et le porte-roue d'origine. Sur les modèles TJ, démontez la plaque d'immatriculation et son support du châssis. Conservez les fixations.
2. Sortez le porte-roue, le pare-chocs et les fixations de leur carton.
3. Sur les modèles TJ de 97-01, certains des 8 trous du cadre arrière peuvent ne pas se trouver dans le cadre. Il s'agit des quatre trous intérieurs, deux de chaque côté du véhicule. Il faut les percer à 7/16 po. Utilisez la figure 2 pour déterminer l'emplacement de ces trous.

REMARQUE : Sur certains modèles TJ, les 8 trous de fixation ne sont pas toujours tous dans le cadre arrière. Si c'est le cas, mesurez les points de fixation du pare-chocs fourni et faites-les correspondre sur le cadre. Percez les trous dans le cadre à 7/16 po. **Voir la figure 1.**

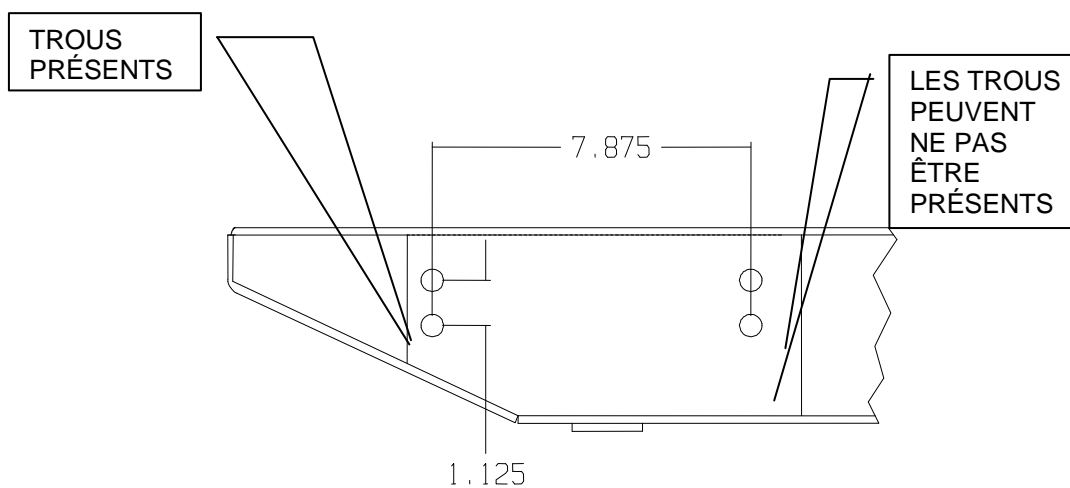


Figure 1



AVERTISSEMENT



Des éclats métalliques peuvent être projetés durant le perçage. **PORTER DES LUNETTES DE SÉCURITÉ.** Les éclats métalliques peuvent causer des lésions oculaires.

4. Placez le nouveau pare-chocs contre l'arrière du cadre du véhicule. Au moyen des fixations de 3/8 po. fournies, insérez un boulon, une rondelle de blocage et une rondelle au-travers du renfort de cadre approprié, de la section du cadre arrière, d'une pièce d'espacement d'une épaisseur de 1/2 po. (sur les modèles CJ) OU d'une épaisseur de 1/4 po. sur les modèles YJ/TJ et passez dans le pare-chocs. Sur les modèles CJ, utilisez les boulons 3/8 po. x 1-3/4 po. dans les 8 trous du cadre arrière. Sur les modèles YJ/TJ, utilisez les boulons 3/8 po. x 1-3/4 po. dans les quatre trous extérieurs et les boulons 3/8 po. x 1-1/2 po. dans les quatre trous intérieurs. **Voir la Figure 2 ou 3 en fonction du véhicule. Ne pas serrer les boulons pour l'instant.**

Remarque : Il sera plus facile de commencer par un boulon de chaque côté, puis d'insérer les pièces d'espacement entre les surfaces d'accouplement du pare-chocs et du cadre. Faites glisser une pièce d'espacement entre le pare-chocs et le cadre et commencez à serrer les boulons du haut et du bas. Puis passez aux autres boulons et répétez l'insertion de la pièce d'espacement. Répétez cette opération pour tous les boulons du cadre arrière.

Sur certains modèles TJ et YJ, il peut s'avérer nécessaire de desserrer la plaque de protection du réservoir de carburant pour permettre de pouvoir passer la main afin d'accéder aux trous de boulon intérieurs.

Remarque : Sur certains modèles CJ, il peut être nécessaire d'utiliser des pièces d'espacement supplémentaires pour éviter une interférence entre le porte-roue et les charnières du hayon.

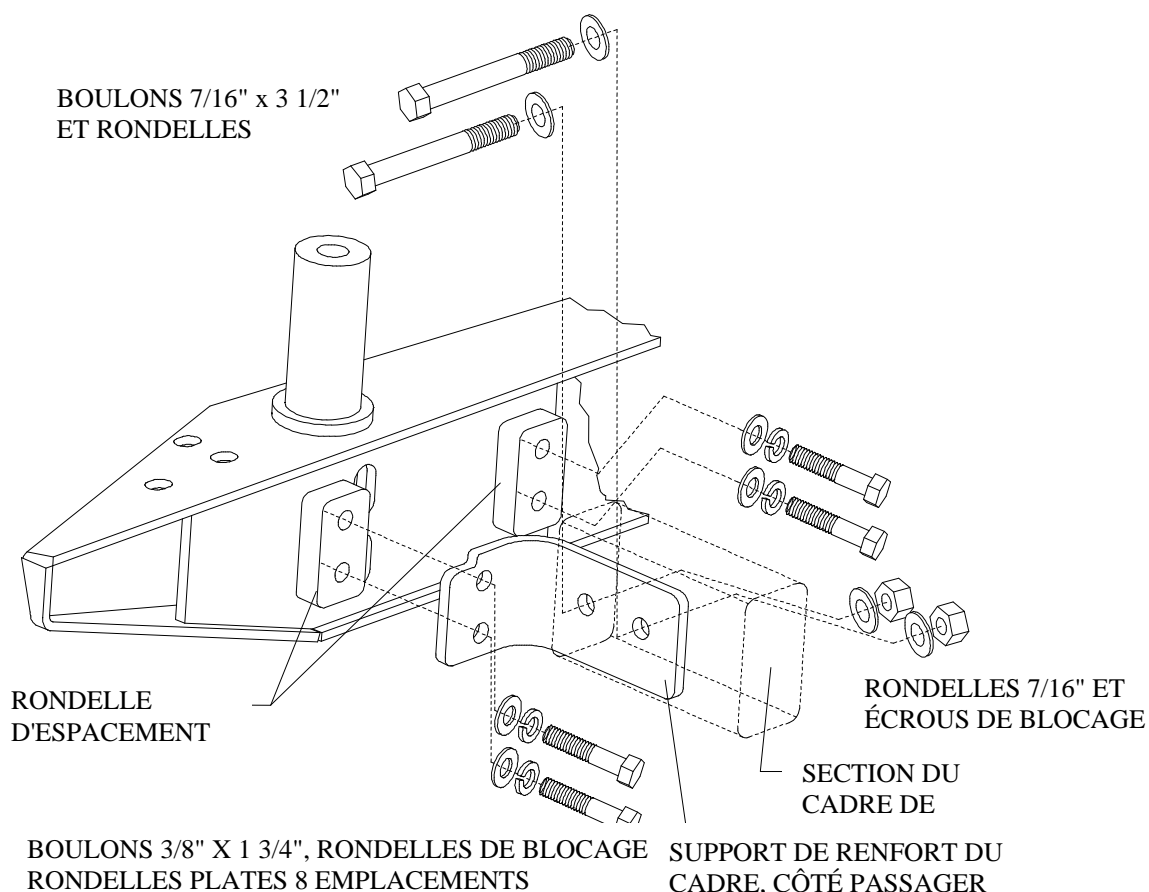
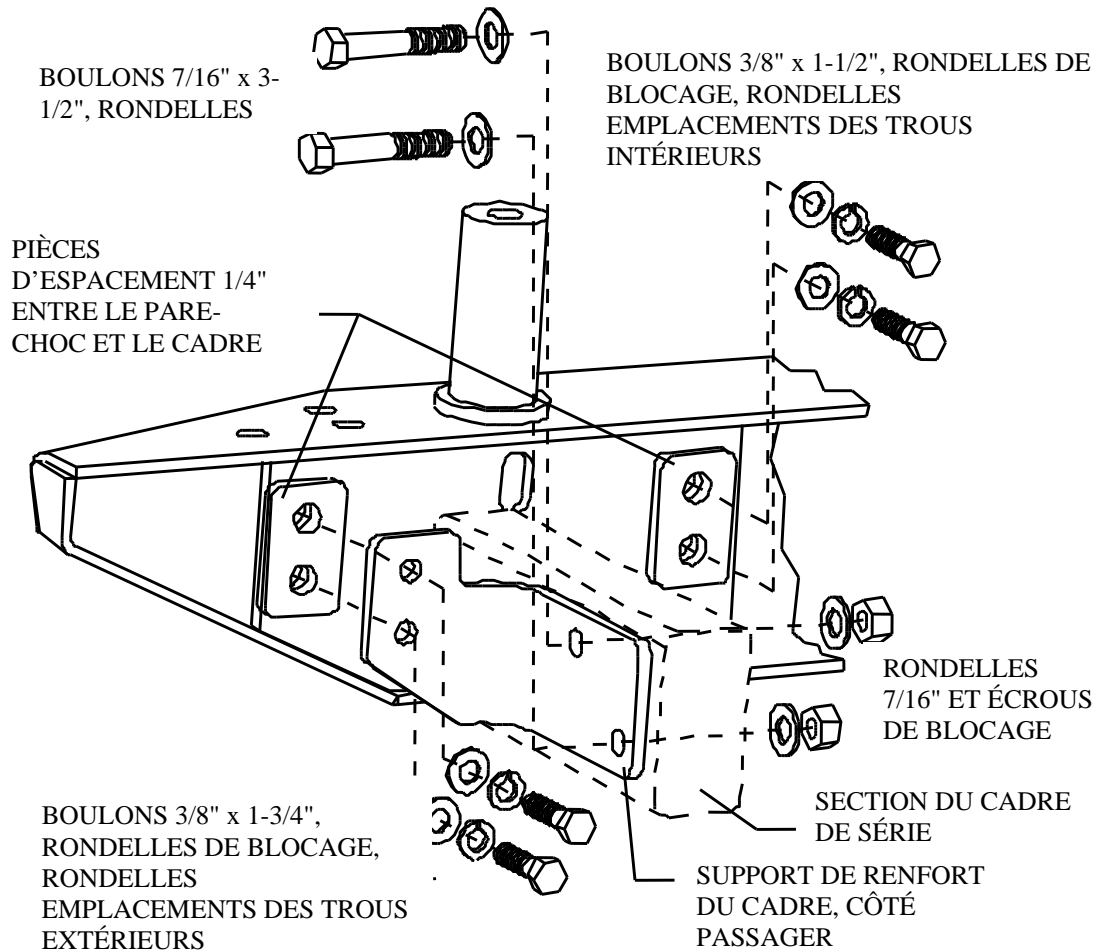


Figure 2, MODÈLE CJ, CÔTÉ PASSAGER ILLUSTRÉ, OPPOSÉ CÔTÉ CONDUCTEUR



ASSEMBLAGE CÔTÉ PASSAGER DU PARE-CHOC ET DU
SUPPORT DE RENFORT DU CADRE

Figure 3, MODÈLES YJ et TJ, CÔTÉ PASSAGER ILLUSTRÉ, OPPOSÉ CÔTÉ CONDUCTEUR, SUPPORTS DE RENFORT DU CADRE TJ ILLUSTRÉS, YJ A LES MÊMES PIÈCES D'ESPACEMENT ET FIXATIONS, MAIS AVEC UN SUPPORT DE RENFORT DE CADRE DIFFÉRENT.

5. Installez le porte-roue sur le pare-chocs. Il faut procéder à cette étape avant de serrer les huit boulons du cadre. **Pour une installation sur un modèle TJ**, démontez le support en plastique de la plaque d'immatriculation du véhicule. Son coin inférieur sera légèrement découpé ultérieurement. **Pour une installation sur les modèles TJ et YJ**, il faut démonter toutes les butées arrière en caoutchouc d'origine, sauf la butée supérieure côté conducteur. Placez la rondelle en nylon sur la tige du pare-chocs et faites-la glisser jusqu'en bas. Placez l'extrémité tubulaire

ronde du porte-roue sur la tige qui dépasse le pare-chocs côté passager et faites-la glisser jusqu'en bas. **Voir la figure 4.**

6. Une fois que le porte-roue est installé sur la tige du pare-chocs, serrez à la main les huit boulons qui fixent le pare-chocs au cadre. Puis insérez la pièce d'espacement à trou rectangulaire entre le bas du cadre et les languettes inférieures du pare-chocs. Insérez les boulons de 7/16 po. x 1 ½ po., les rondelles de blocage et les rondelles au travers des languettes inférieures du pare-chocs et de la pièce d'espacement et serrez à la main.
7. Une fois que toutes les fixations sont serrées à la main, ajustez la position du pare-chocs s'il y a lieu. Serrez les fixations de 3/8 po. entre 41 et 47 Nm et les fixations 7/16 po. entre 62 et 68 Nm.
8. Au moyen d'une perceuse et d'une mèche de 7/16 po., percez au travers du rail du cadre intérieur, en utilisant le support de renfort et les trous existants du cadre extérieur à l'extérieur du cadre. Il serait souhaitable de placer une pièce métallique entre le rail du cadre intérieur et le réservoir pour éviter tout dommage à l'intérieur des rails du cadre. Vérifiez si des câbles ou conduites sont fixés aux endroits du perçage. Si vous trouvez des câbles ou des conduites, déplacez-les provisoirement pendant le perçage. Répétez cette opération de l'autre côté du véhicule. **Voir la Figure 2 ou 3 en fonction du véhicule.**



AVERTISSEMENT



Des éclats métalliques peuvent être projetés durant le perçage. **PORTER DES LUNETTES DE SÉCURITÉ.** Les éclats métalliques peuvent causer des lésions oculaires.

9. Insérez les boulons 7/16 po. x 4 po. et les rondelles plates au travers du renfort et du rail du cadre et serrez à la main au moyen de la clé 7/16 po. fournie. Serrez les fixations 7/16 po. entre 62 et 68 Nm. **Voir la Figure 2 ou 3 en fonction du véhicule.**
10. Installez le support de la tige sur le pare-chocs. Au moyen du boulon 5/8 x 1 ½ po., de la rondelle de blocage et de la rondelle, serrez le support sur la tige à la main. Puis installez les 3 boulons 7/16 x 1 ½ po. et rondelles fournis au-travers du support et du pare-chocs. Installez une rondelle 7/16 po., une rondelle de blocage et un écrou sur chaque boulon à l'intérieur du pare-chocs. Il peut s'avérer nécessaire d'utiliser un aimant ou une pince à bec effilé pour installer les écrous et les rondelles sur les boulons. Sur les modèles CJ, il peut s'avérer nécessaire d'installer les deux boulons qui sont le plus vers l'avant et de percer le 3^{ème} trou en le faisant correspondre à l'emplacement voulu. Cela est dû au fait que les extrémités du pare-chocs sont très compactes. Voir la figure 4.

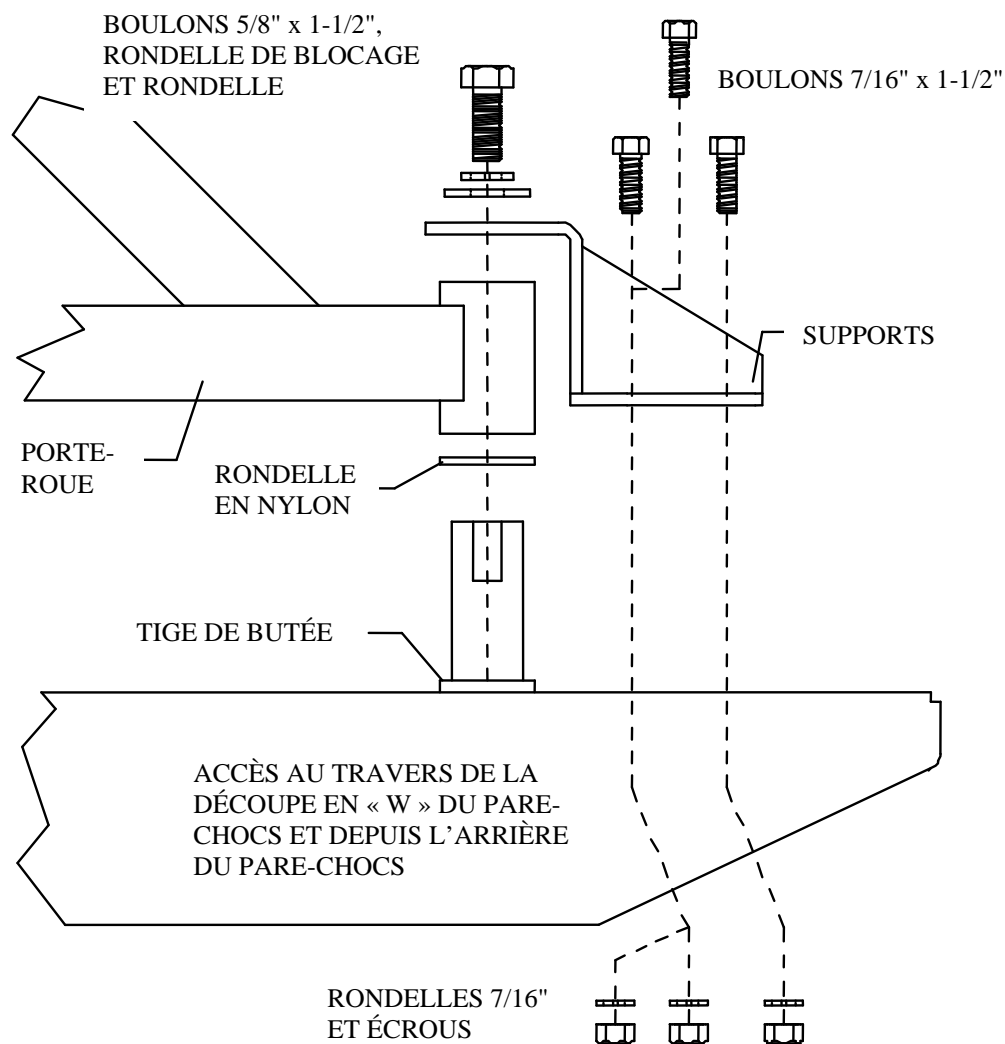


Figure 4

11. Une fois que le porte-roue et le support sont assemblés, serrez les fixations de 7/16 po. entre 62 et 68 Nm et les fixations de 5/8 po. entre 95 et 122 Nm.
12. Installez le graisseur fourni dans le trou réservé à cet usage dans le tube pivotant du porte-roue. Une fois installé, utilisez une pompe de graissage pour lubrifier le pivot.
13. Fermez le porte-roue. Installez la roue de secours sur le support de roue. Utilisez les trois goujons fournis. Les goujons peuvent être enfoncés ou bien utilisez un étai et un marteau pour les installer. Ils peuvent aussi être montés en installant la roue et en utilisant les écrous pour serrer. Les goujons se rétracteront au fur et à mesure du serrage des écrous.

14. Une fois les goujons installés, fixez la roue sur le support. Faites glisser le support de roue, à l'arrière de la roue, dans le tube de montage du support sur le porte-roue. Avec la roue enfoncée le plus loin possible, marquez le support de montage de la roue au moyen du trou fourni dans le tube du porte-roue. Retirez la roue et son support de montage du porte-roue. Voir la figure 5.

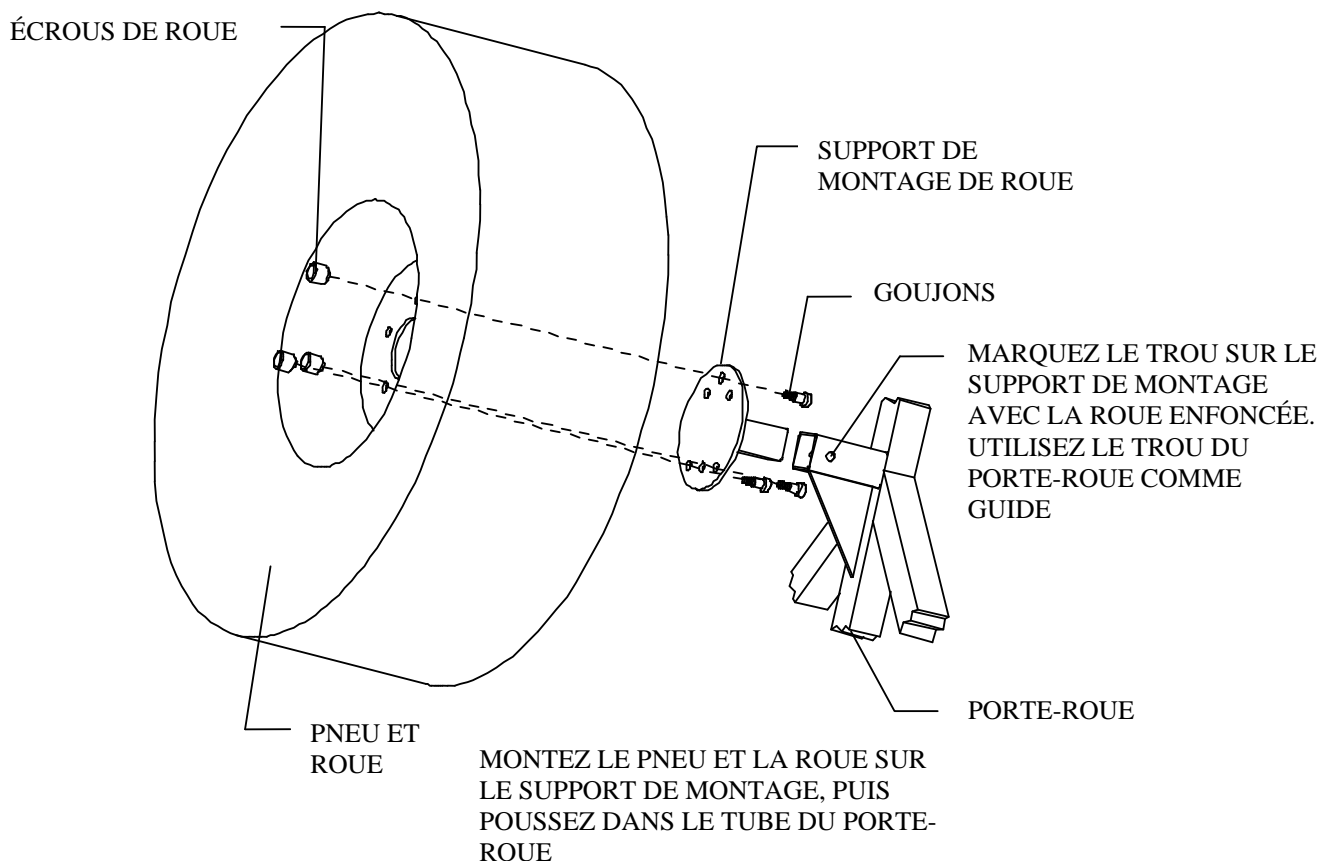


Figure 5

15. Retirez le pneu et la roue du support de montage. Au moyen de l'emplacement repéré sur le support de montage de la roue à l'étape précédente, mesurez $\frac{1}{4}$ po. (0,6 cm) en arrière, vers la surface de montage de la roue. Cela donnera la précharge du pneu une fois monté. Au moyen d'une mèche de $\frac{1}{2}$ po., percez un trou au travers des deux côtés du support de montage de la roue à l'endroit marqué. N'oubliez pas de marquer à nouveau le trou $\frac{1}{4}$ po. (0,6 cm) plus près de la surface de montage du pneu pour la précharge. **Voir la figure 6.**

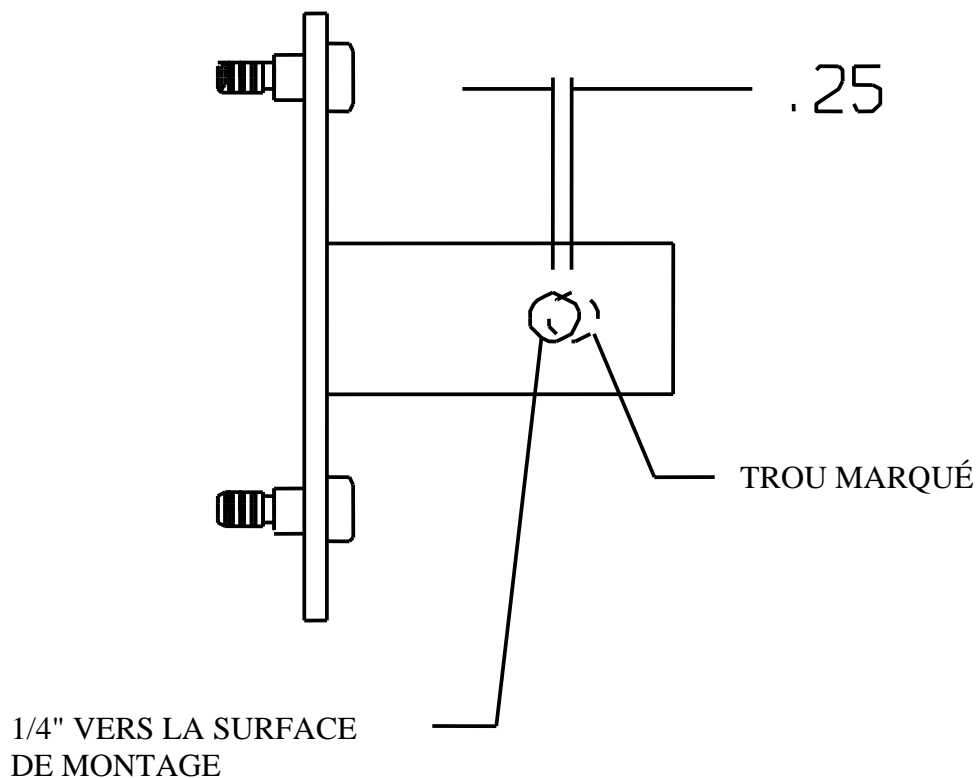


Figure 6



AVERTISSEMENT



Des éclats métalliques peuvent être projetés durant le perçage. **PORTER DES LUNETTES DE SÉCURITÉ.** Les éclats métalliques peuvent causer des lésions oculaires.

16. Après avoir percé le trou à l'étape 17, faites glisser le support de montage de la roue sur le tube du porte-roue. Au moyen du boulon ½ po. x 3 po., des rondelles et de l'écrou de blocage fournis, boulonnez le support de montage sur le porte-roue. Serrez le boulon ½ po. entre 74 et 81 Nm.
17. Montez le pneu et la roue sur le porte-roue au moyen des écrous de roue. Vous pouvez utiliser des écrous antivol.
18. Montez le mécanisme du loquet. Insérez la poignée dans le trou en haut du tube du porte-roue. Puis insérez le ressort hélicoïdal fourni au travers du trou rectangulaire en bas du tube. Insérez la gâche du loquet au travers du même trou rectangulaire. La poignée sera insérée dans le trou d'un diamètre de ½ po. dans la gâche. Alignez les petits contre-trous de la poignée et de la gâche. Insérez la goupille élastique, en la frappant avec un marteau, au travers du trou de la gâche et de la poignée. Elle ne doit pas dépasser de chaque côté de la gâche une fois correctement installée. Cf. **Figure 7** pour une vue explosée de l'ensemble.

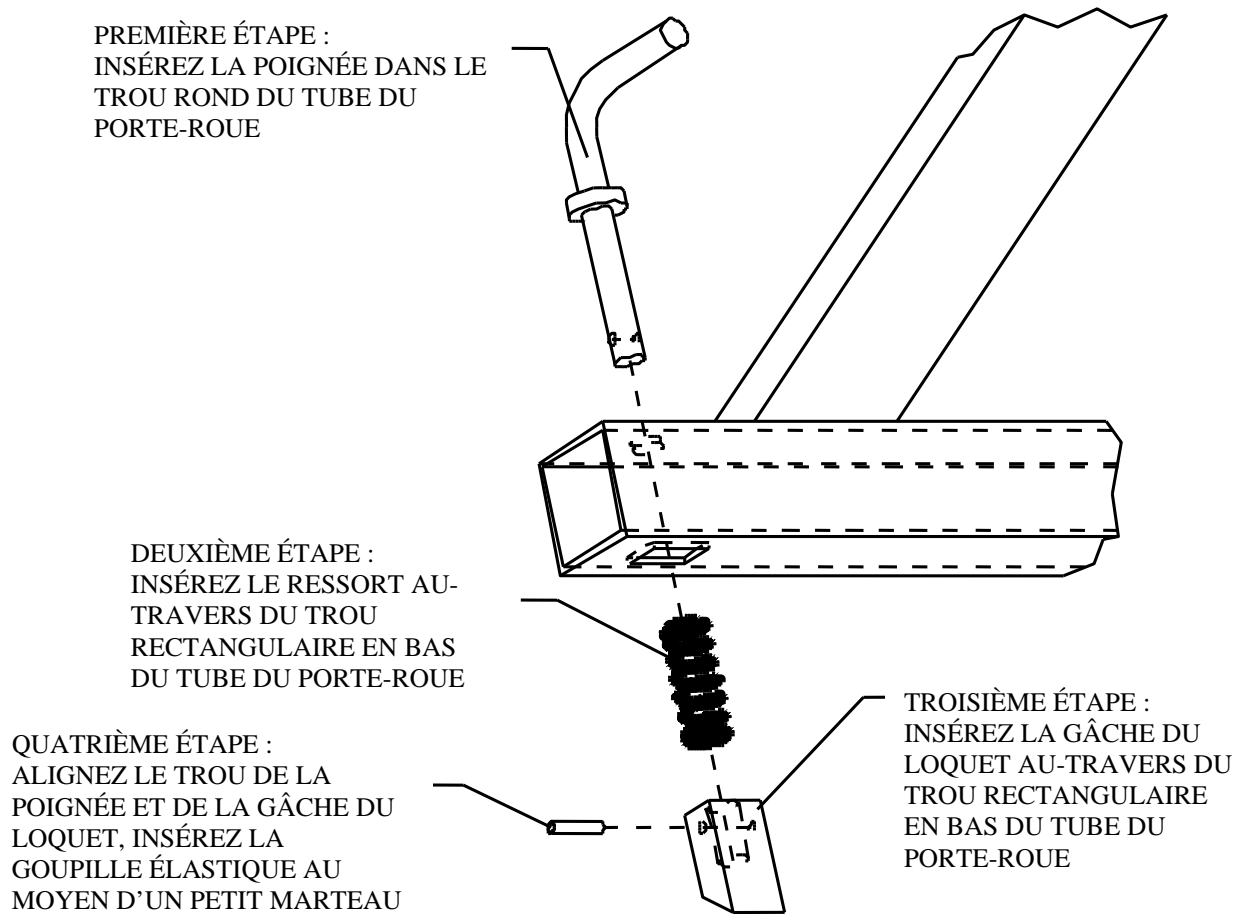


FIGURE 7, VUE EXPLOSÉE DE L'ENSEMBLE DE LA GÂCHE.

19. Une plaque plate est soudée au cadre du porte-roue. Sur les modèles CJ, il faut monter une butée en caoutchouc soit sur cette plaque, soit sur le hayon pour éviter que le porte-pneu ne bascule d'avant en arrière sur des terrains accidentés. **Voir l'étape 24 pour l'installation sur le modèle CJ.** Les modèles TJ et YJ sont déjà équipés de cette butée en caoutchouc sur le hayon. Il peut s'avérer nécessaire de caler le pare-chocs supérieur côté conducteur pour l'écartier du hayon, afin d'avoir une légère pression sur la plaque plate une fois que l'ensemble est en position fermée. **Voir la figure 8.**

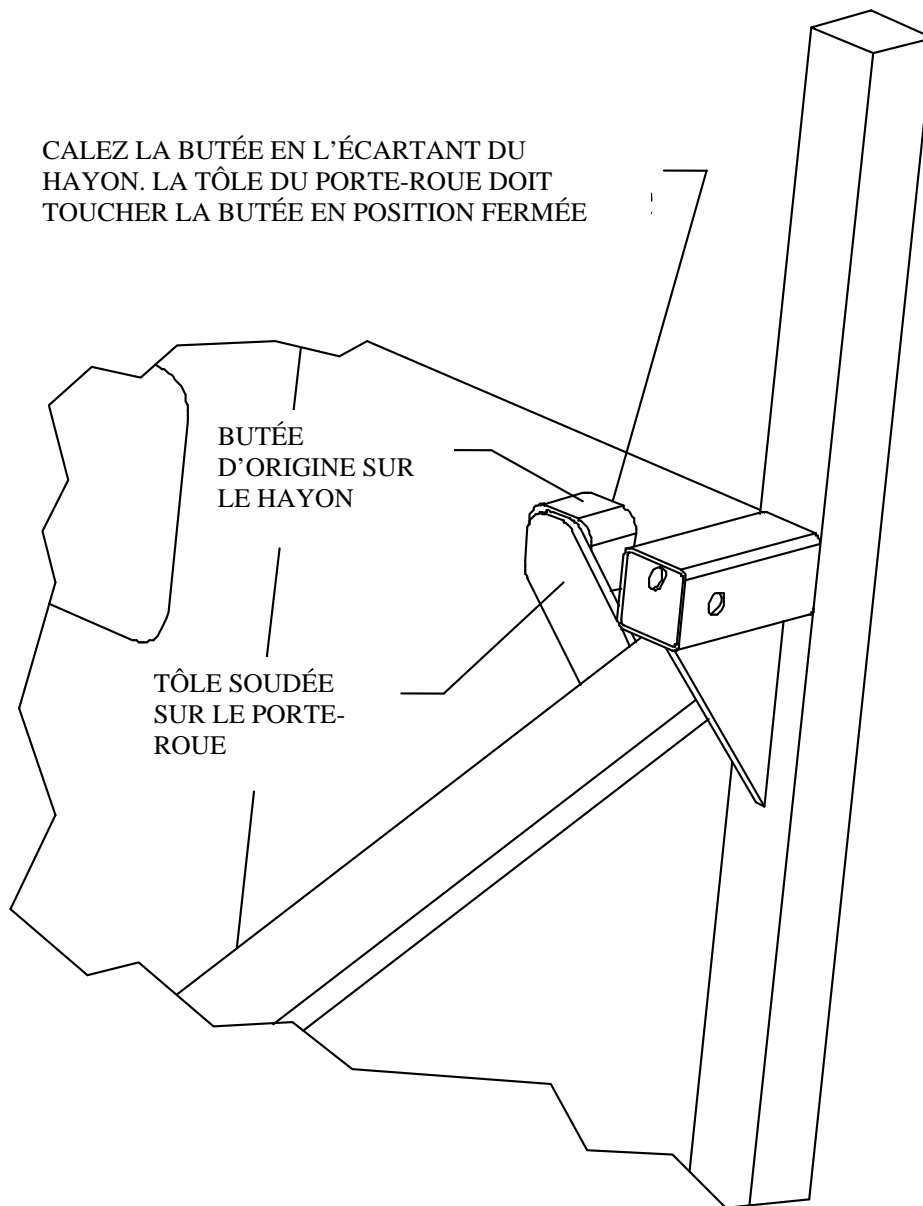


Figure 8, Butée du hayon d'origine, modèles TJ et YJ.

20. Il est possible de monter une antenne CB sur le pare-chocs ou sur le porte-roue. La réception de la CB devrait être meilleure avec un montage sur le pare-chocs. Il se peut que la surface ne soit pas suffisante sur le porte-roue. Souvent, les clients ont simplement percé un trou d'un côté du pare-chocs, aux extrémités.

21. Sur les modèles TJ, montez les deux supports fournis sur la carrosserie au moyen des vis d'origine. L'extrémité du support avec le trou standard est montée sur la carrosserie. Les trous en forme de fente servent à monter la plaque d'immatriculation. Alignez les deux supports de sorte à les faire tourner de 5 degrés vers le haut, côté opposé au hayon. Serrez les vis d'origine. Au moyen des fixations ¼ po. fournies, insérez un boulon avec une rondelle plate au travers de la plaque d'immatriculation et du support et serrez à la main avec une rondelle de blocage et un écrou. Répétez cette opération pour les deux supports. **Voir la Figure 9.**

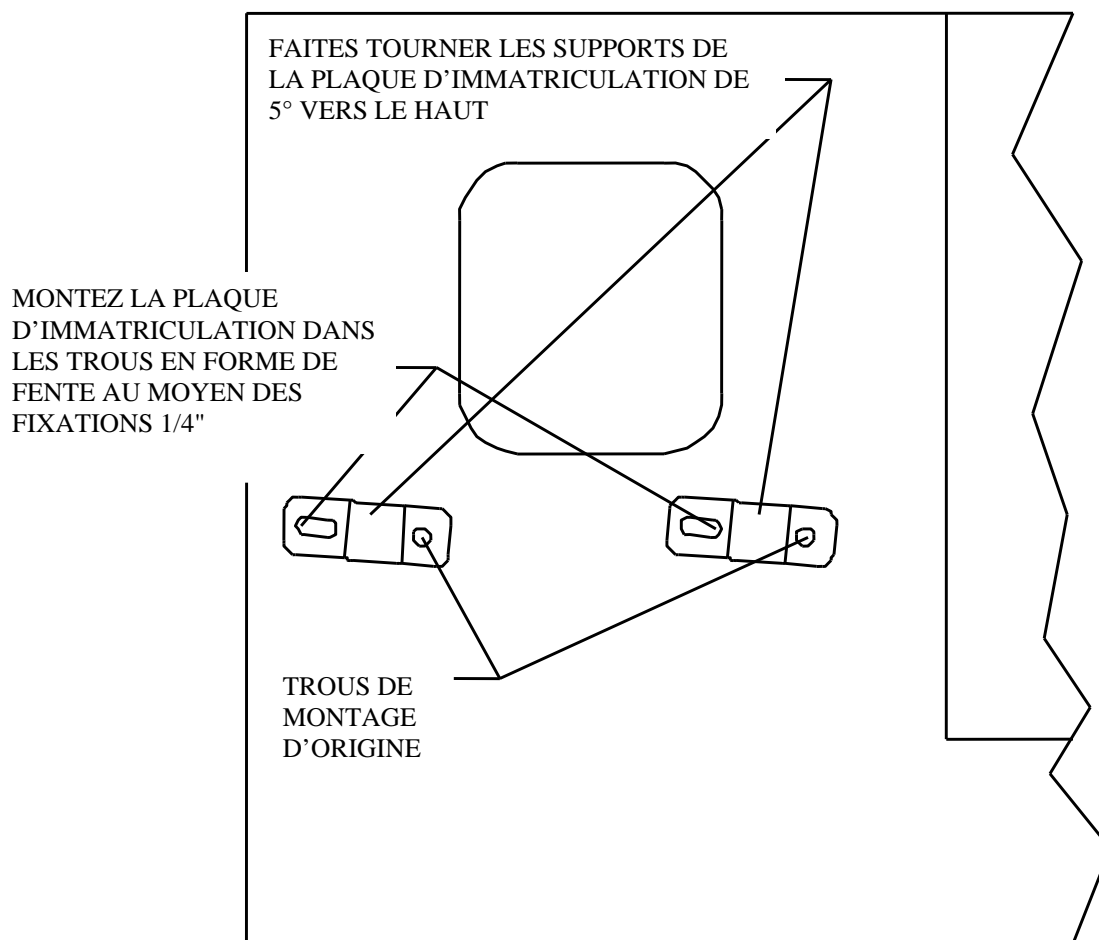


FIGURE 9, SUPPORTS DE MONTAGE DE LA PLAQUE D'IMMATRICULATION POUR LES MODÈLES TJ EXCLUSIVEMENT

22. Sur les véhicules TJ et YJ équipés d'un 3^{ème} feu de freinage, il faudra déplacer celui-ci. Cette opération est facile. Il suffit de couper le support d'origine et de le monter sur la tige verticale du nouveau porte-roue. Deux petites vis sont fournies à cet effet. **Voir la figure 10.**

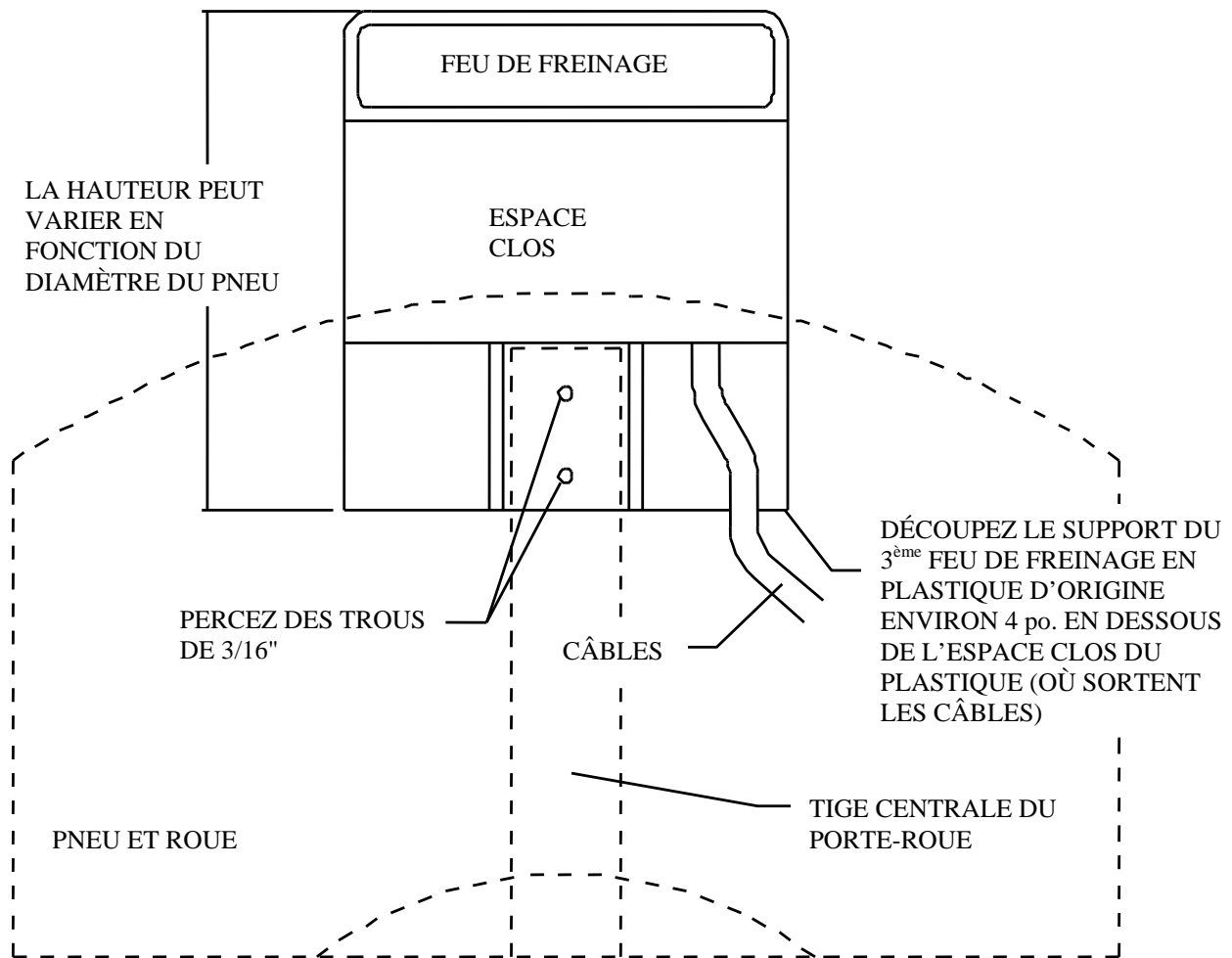


Figure 10, MONTAGE DU 3^{ème} FEU DE FREINAGE

23. Sur les modèles CJ, il faut installer une butée arrière en caoutchouc. Il s'agit de la pièce réf. **55013350** Chrysler/Jeep, disponible chez les revendeurs de pièces Jeep. Une illustration est fournie pour information. En fonction de l'alignement de la carrosserie et du cadre sur votre véhicule, il peut s'avérer nécessaire de caler la butée en caoutchouc pour l'éloigner du hayon ou de la meuler, ce qui est l'option la plus vraisemblable.

REMARQUE : Il doit y avoir une pression très légère sur la butée en caoutchouc lorsque le porte-roue est en position fermée. Vu que les véhicules sont très différents et très anciens, veillez à ce que le porte-roue soit vertical en position fermée et qu'il y ait une légère pression sur la butée arrière. Il se peut qu'une pression plus forte soit nécessaire sur la butée pour obtenir une position verticale une fois l'ensemble fermé. Cela garantit que le porte-roue ne vibrera pas sur les charnières du hayon.

Une fois le porte-roue en position fermée, essayez de faire glisser la butée en caoutchouc entre le hayon et la languette soudée sur le porte-roue. Dans la photo ci-dessous, le bord inférieur de la butée en caoutchouc a été meulé à un angle de

45° pour lui permettre d'être positionné plus bas sur le hayon. Une fois que la bonne position a été trouvée, marquez le hayon. Ouvrez le porte-roue et marquez le trou au centre de la butée en caoutchouc. La butée en caoutchouc peut être boulonnée au travers soit du hayon, soit de la tôle vissée au hayon.



Photo de la butée en caoutchouc sur le hayon du modèle CJ.



AVERTISSEMENT

Des éclats métalliques peuvent être projetés durant le perçage. **PORTER DES LUNETTES DE SÉCURITÉ.** Les éclats métalliques peuvent causer des lésions oculaires.

24. Une fois que toutes les étapes susmentionnées sont terminées, vérifiez que tous les boulons de fixation sont serrés au couple prescrit.
25. Remplissez régulièrement le graisseur du porte-roue pour éviter qu'il se corrode ou se bloque.



INSTRUCCIONES DE INSTALACIÓN

SOPORTE DE RUEDA Y PARACHOQUES DE WARN

Al leer estas instrucciones, podrá ver **NOTAS**, **PRECAUCIONES** y **ADVERTENCIAS**. Cada mensaje tiene un propósito específico. Las **NOTAS** son información adicional que le ayudarán a llevar a cabo un procedimiento. Las **PRECAUCIONES** son mensajes de seguridad que indican que está ante una situación potencialmente peligrosa que, si no se evita, puede acarrear lesiones menores o moderadas. Las **PRECAUCIONES** pueden alertar también contra prácticas no seguras. Las **ADVERTENCIAS** son mensajes de seguridad que indican que está ante una situación potencialmente peligrosa que, si no se evita, puede acarrear lesiones graves. Las **PRECAUCIONES** y **ADVERTENCIAS** identifican el peligro, le indican cómo evitarlo y le advierten de las posibles consecuencias que conlleva no evitar dicho peligro. **¡TRABAJE SIEMPRE DE FORMA SEGURA!**

NOTA: para los modelos CJ de Jeep, los separadores y pernos adicionales se proporcionan en una bolsa aparte. Es posible que algunas aplicaciones requieran separadores adicionales para separar las bisagras y los cierres de capotas rígidas debido a variaciones en el bastidor para alinear la carrocería.

NOTA: es posible que deba taladrar determinados modelos para su montaje. Puede que deba realizar orificios en el lateral del bastidor si éste no tiene.

NOTA: es posible que en los modelos de capota rígida deba girar 90° el tirador de la ventanilla trasera para evitar el contacto con el soporte de la rueda.

Información general:

- Instrucciones para los modelos CJ, YJ y TJ
- No soportarán neumáticos más grandes de 35 x 15,50 o 36 x 12,50 o 68 kg (150 lb).
- Se deberá desmontar el parachoques y el soporte de la rueda que vienen de fábrica para montar el soporte de la rueda.
- Cuando utilice este soporte de la rueda, deberá cambiar la posición de la 3ª luz de freno. La posición puede variar dependiendo del tamaño del neumático. Consulte las instrucciones.
- Deberá utilizar 3 tuercas de orejetas, ½ pulg.-20, para montar la rueda de repuesto en el soporte de la rueda.

- Los vehículos CJ **necesitarán** 1 pieza con nº de ref. 55013350 de Chrysler, que es un limitador situado en la puerta trasera de los modelos TJ que se utiliza para eliminar el traqueteo o las vibraciones.

Instrucciones paso a paso:

1. Desmote el parachoques y el soporte de la rueda que vienen de fábrica. En los modelos TJ, desmonte de la carrocería la placa de la matrícula y su soporte. Guarde las piezas de montaje.
2. Saque de las cajas el soporte de la rueda, el parachoques y las piezas.
3. En los modelos 97-01 TJ, es posible que el bastidor carezca de algunos de los 8 orificios traseros. Estos orificios son los cuatro orificios interiores de cada lado del vehículo. Deben taladrarse a 7/16 pulg. Ayúdese de la figura 2 para situar estos orificios.

NOTA: es posible que algunos de los vehículos de modelo TJ no tengan los 8 orificios de montaje en la parte trasera del bastidor. Si el bastidor no tiene los 8 orificios, mida los puntos de montaje del parachoques y realice las mismas medidas en el bastidor. Perfore los orificios del bastidor a 7/16 pulg. **Consulte la Figura 1.**

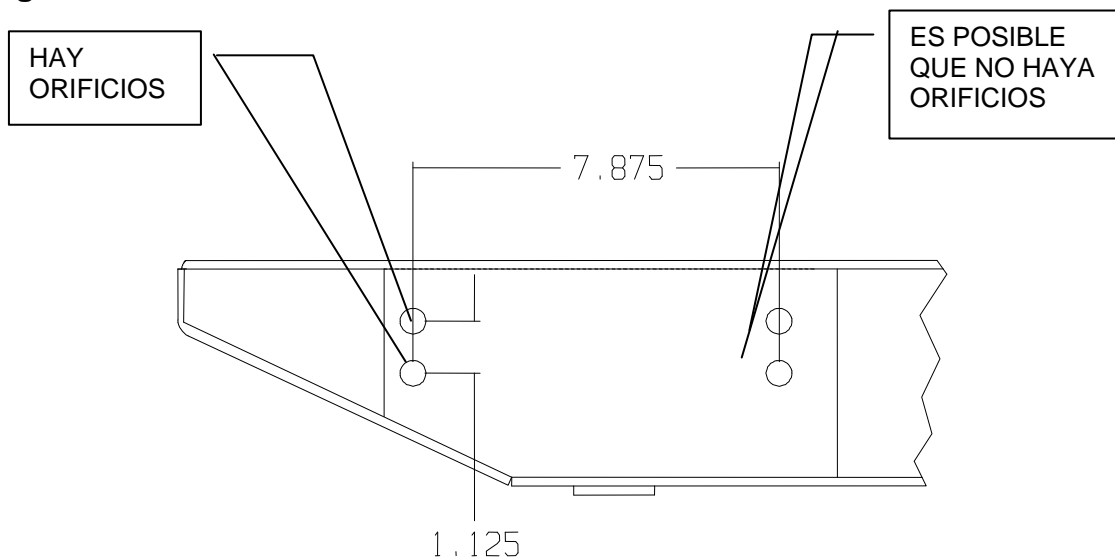


Figura 1



ADVERTENCIA



Al taladrar pueden saltar fragmentos metálicos. **PÓNGASE GAFAS DE SEGURIDAD.** Estos fragmentos de metal pueden causar lesiones en los ojos.

- Coloque el nuevo parachoques contra la parte trasera del bastidor del vehículo. Con las piezas de 3/8 pulg. que se incluyen, inserte un perno, una arandela de presión y una arandela en el refuerzo apropiado del bastidor, la sección trasera del bastidor, el separador grueso de 1/2 pulg. (en modelos CJ) O el separador grueso de 1/4 pulg. en modelos YJ/TJ y empiece a montar el parachoques. En los modelos CJ, utilice los pernos de 3/8 pulg. x 1-3/4 pulg. en los ocho orificios del bastidor trasero. En los modelos YJ/TJ, utilice los pernos de 3/8 pulg. x 1-3/4 pulg. en los cuatro orificios externos y los pernos de 3/8 pulg. x 1-1/2 pulg. en los cuatro orificios internos. **Consulte la Figura 2 o 3 dependiendo del vehículo. No apriete los pernos todavía.**

Nota: será más fácil empezar por un perno de cada lateral e insertar a continuación los separadores entre las superficies de acoplamiento del parachoques y del bastidor. Deslice hacia arriba un separador entre el parachoques y el bastidor y ponga los pernos superiores e inferiores. A continuación, pase a los orificios siguientes y repita la inserción del separador. Repita este paso para todos los orificios traseros del bastidor.

En algunos modelos TJ y YJ, es posible que deba aflojar la placa del tanque de gasolina para contar con más espacio para acceder a los orificios internos del perno.

Nota: en algunos modelos CJ, es posible que deba utilizar separadores adicionales para evitar el contacto entre el soporte de la rueda y las bisagras de la puerta trasera.

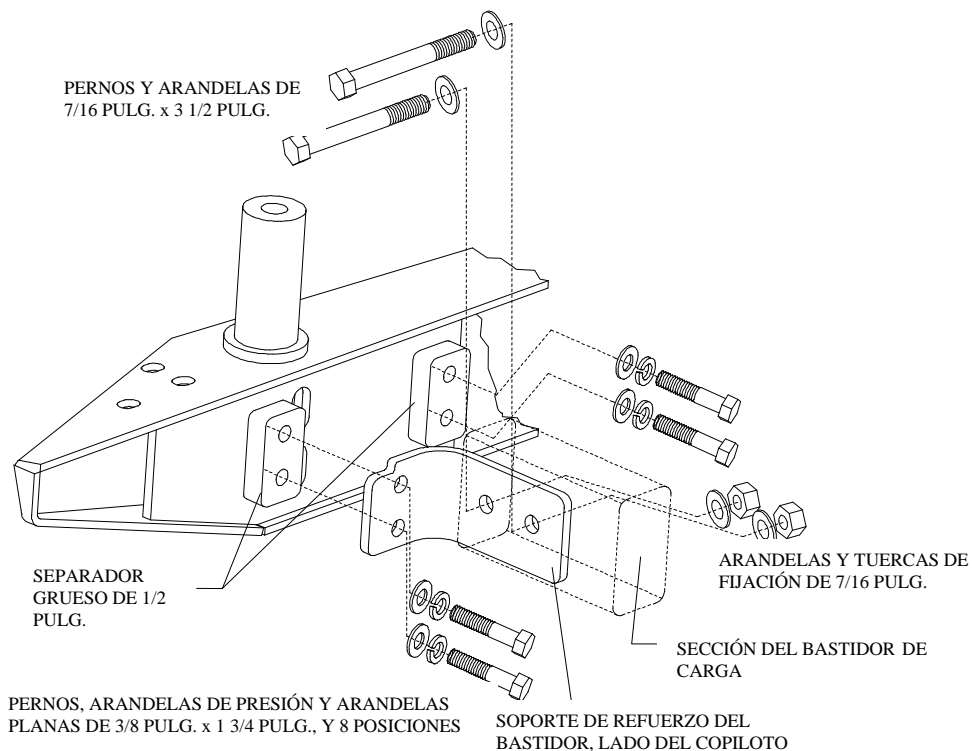
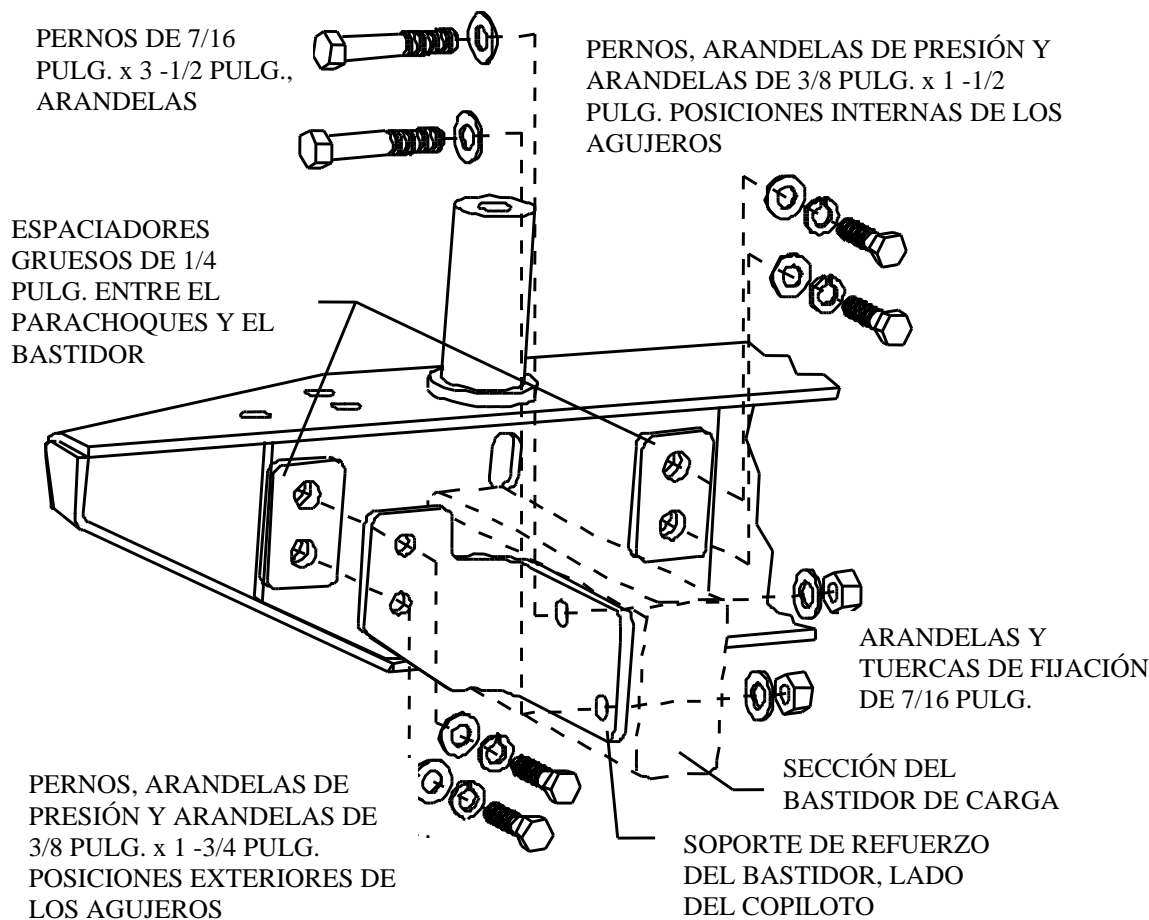


Figura 2, VEHÍCULO CJ, VISTA DEL LADO DEL COPILOTO, VISTA DEL LADO OPUESTO DEL CONDUCTOR



CONJUNTO DE PARACHOQUES Y SOPORTE DE REFUERZO DEL BASTIDOR EN EL LADO DEL COPILOTO

Figura 3, VEHÍCULOS YJ y TJ, VISTA DEL LADO DEL COPILOTO, VISTA DEL LADO OPUESTO DEL CONDUCTOR, VISTA DE LOS SOPORTES DE REFUERZO DEL BASTIDOR TJ, YJ TIENE LOS MISMOS SEPARADORES Y PIEZAS PERO SU SOPORTE DE REFUERZO DEL BASTIDOR ES DISTINTO.

5. Monte el soporte de la rueda en el parachoques. Esta operación debe realizarse antes de apretar los ocho pernos del bastidor. **Si realiza el montaje en un modelo TJ**, desmonte del vehículo la montura de plástico de la placa de la matrícula. Más tarde, se recortará levemente hacia la esquina inferior. **Si realiza el montaje en los modelos TJ y YJ**, será necesario desmontar todos los parachoques de goma de la puerta trasera que trae de fábrica el vehículo a excepción del que se encuentra en la parte superior del lado del conductor. Coloque la arandela de nailon sobre el poste del parachoques y deslícela del todo hacia abajo. Coloque el extremo del tubo redondo del soporte de la rueda en el poste que sobresale del parachoques del lado del copiloto y deslícelo del todo hacia abajo. **Consulte la Figura 4.**

6. Una vez que el soporte de la rueda esté montado en el poste del parachoques, apriete con los dedos los ocho pernos que sujetan el parachoques al bastidor. A continuación, introduzca los separadores alargados entre la parte inferior del bastidor y las lengüetas inferiores del parachoques. Inserte los pernos de 7/16 pulg. x 1 ½ pulg., las arandelas de presión y las arandelas en las lengüetas inferiores del parachoques y el separador y apriételos con los dedos.
7. Una vez apretados todos los aseguradores, ajuste la posición del parachoques si fuera necesario. Apriete los aseguradores de 3/8 pulg. a 30-34 pies/lb y los aseguradores de 7/16 pulg. a 46-50 pies/lb.
8. Con un taladro y una broca de 7/16 pulg., perfore el rail interno del bastidor haciendo uso del soporte de refuerzo y los orificios exteriores ya existentes del bastidor. Por precaución, debería colocar una pieza de metal entre el rail interior del bastidor y el tanque de gasolina para evitar daños en la parte interior de los raíles del bastidor. Compruebe si hay cables o conductos en los orificios taladrados. Si encuentra conductos o cables, quítelos temporalmente durante el proceso de taladrado. Repita este proceso en el otro lado del vehículo. **Consulte la Figura 2 o 3 dependiendo del vehículo.**



ADVERTENCIA



Al taladrar pueden saltar fragmentos metálicos. **PÓNGASE GAFAS DE SEGURIDAD.** Estos fragmentos de metal pueden causar lesiones en los ojos.

9. Introduzca los pernos de 7/16 pulg. x 4 pulg. y las arandelas planas en el soporte de refuerzo del bastidor y el rail del bastidor y apriételos con los dedos utilizando las piezas de 7/16 pulg. que se proporcionan. Apriete las piezas de 7/16 pulg. a 46-50 pies/lb. **Consulte la Figura 2 o 3 dependiendo del vehículo.**
10. Monte el soporte de poste en el parachoques. Con el perno de 5/8 x 1 ½ pulg., la arandela de presión y la arandela que se proporcionan, apriete con la mano el soporte al poste. A continuación, instale los 3 pernos de 7/16 x 1 ½ pulg. y las arandelas que se incluyen por el soporte y el parachoques. Instale una arandela de 7/16 pulg., una arandela de presión y una tuerca en cada perno de la parte interior del parachoques. Es posible que deba utilizar un imán o unas pinzas de punta de aguja para introducir las tuercas y las arandelas en los pernos. En los modelos CJ es posible que deba instalar los dos pernos que están más hacia adelante y perforar el 3^{er} orificio trasero. Esto se debe al ajustado embalaje de los extremos de los parachoques. **Consulte la Figura 4.**

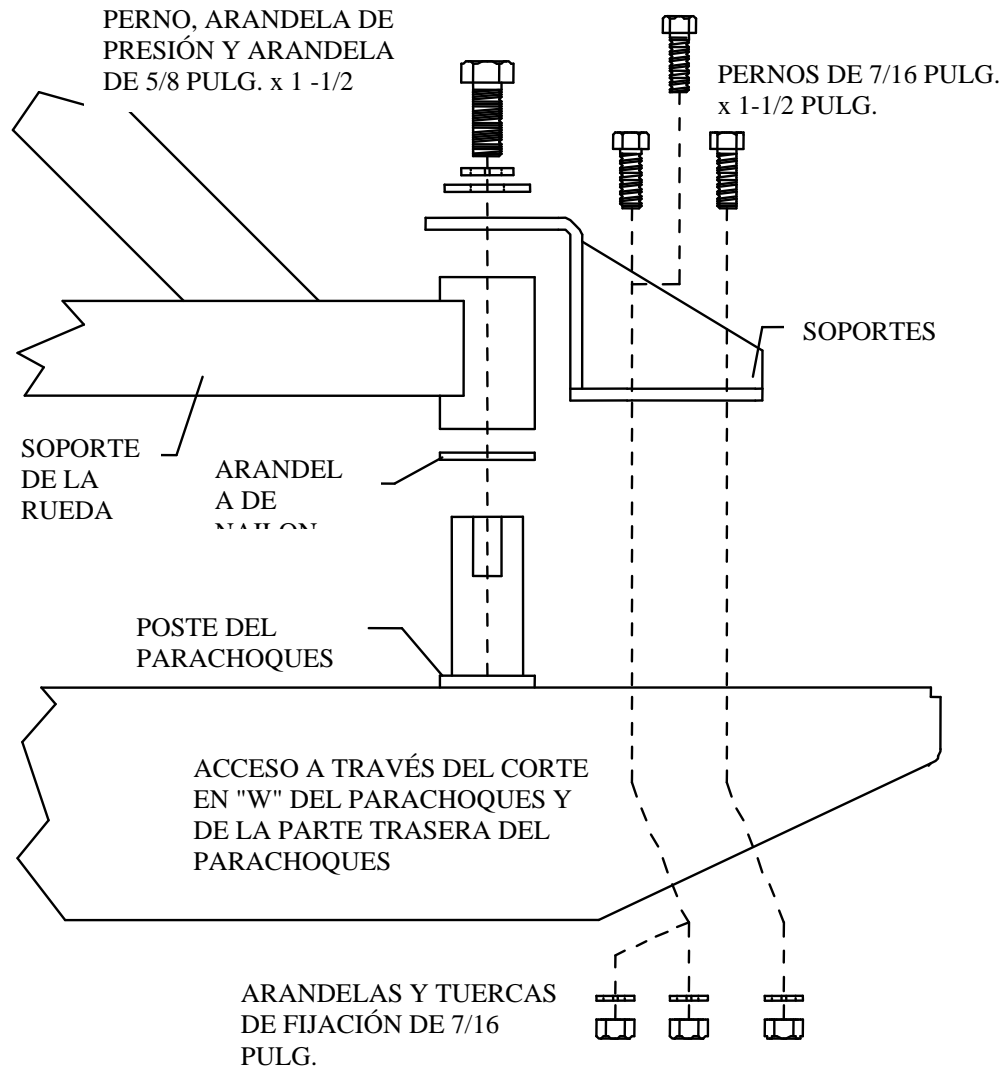


Figura 4

11. Una vez que estén montados el soporte de la rueda y el soporte del parachoques, apriete las piezas de 7/16 pulg. a 46-50 pies/lb y las piezas de 5/8 pulg. a 70-90 pies/lb.
12. Instale los accesorios de engrase suministrados en el orificio que hay en el tubo de pivote del soporte de la rueda. Una vez instalados, utilice una pistola de engrase para lubricar el pivote.
13. Cierre el soporte de la rueda. Monte la rueda de repuesto en el soporte de montaje de la rueda. Utilice los tres pernos de las ruedas que se le facilitan. Puede apretar los pernos de las ruedas o bien utilizar un torno y un martillo para montarlos. También puede hacerlo montando la rueda y usando las tuercas de orejetas para apretarlos. Los pernos irán quedando sujetos mientras los va apretando.

14. Una vez que los pernos estén instalados, coloque la rueda al soporte de montaje. Deslice el soporte de montaje de la rueda que está en la parte posterior de ésta, en el tubo de montaje del soporte de la rueda. Con la rueda totalmente colocada, marque el soporte de montaje de la rueda utilizando el orificio que hay en el tubo del soporte de la rueda. Desmonte la rueda y su soporte de montaje del soporte del vehículo. **Consulte la Figura 5.**

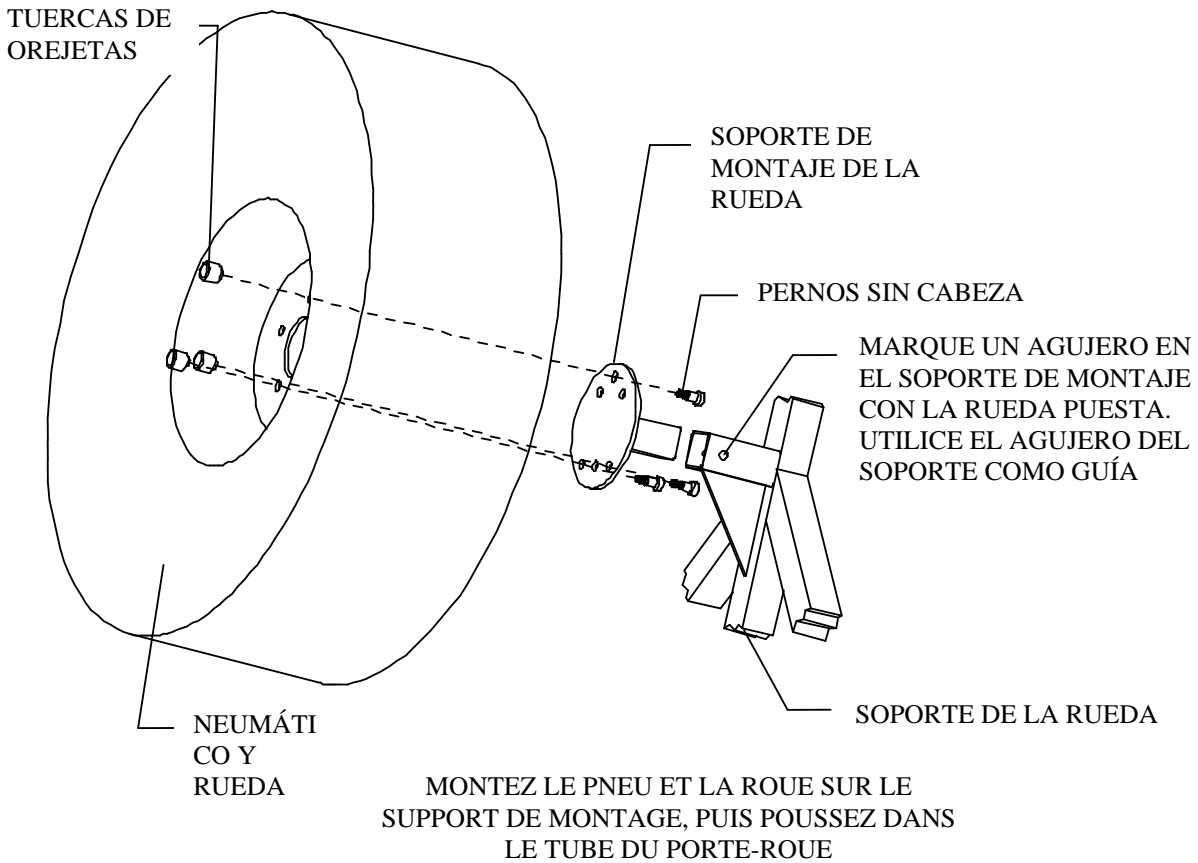


Figura 5

15. Desmonte el neumático y la rueda del soporte de montaje. Haciendo uso de la posición marcada en el soporte de montaje de la rueda en el paso anterior, vuelva a medir $\frac{1}{4}$ pulg. hacia la superficie de montaje de la rueda. Esto ofrecerá la carga previa de la rueda una vez esté montada. Con una broca de $\frac{1}{2}$ pulg., perfore un orificio a ambos lados del soporte de montaje en la posición marcada. Asegúrese de volver a marcar el orificio $\frac{1}{4}$ pulg. más cerca de la superficie de montaje para la carga previa. **Consulte la Figura 6.**

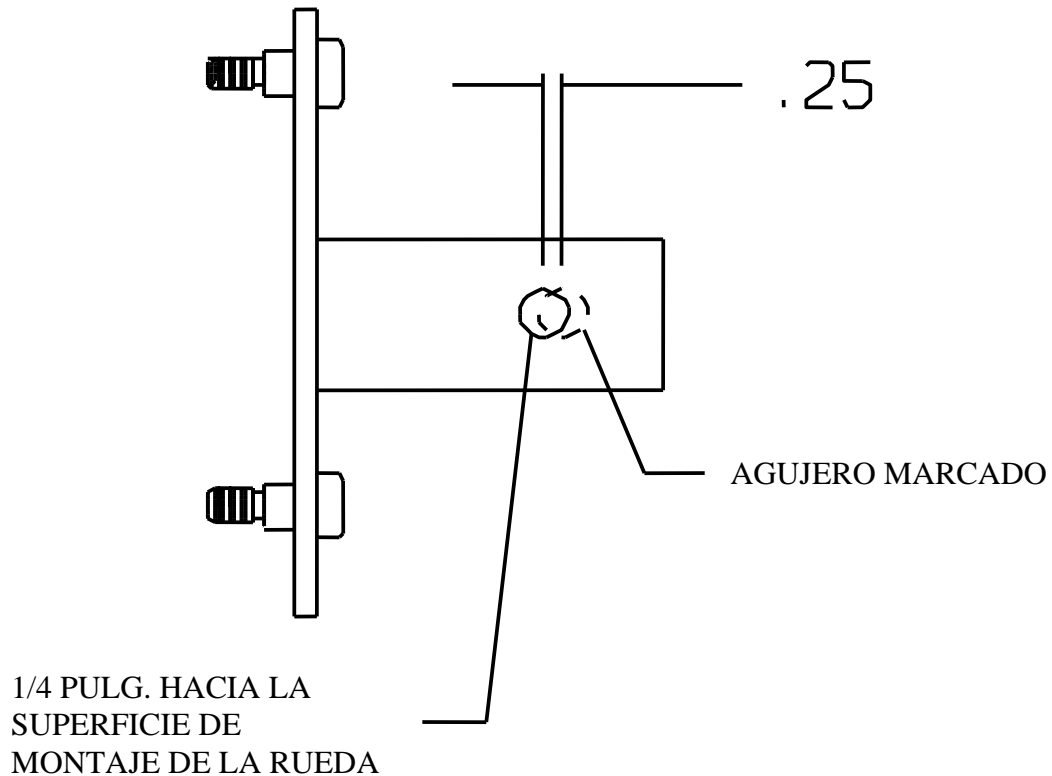


Figura 6



ADVERTENCIA



Al taladrar pueden saltar fragmentos metálicos. **PÓNGASE GAFAS DE SEGURIDAD.** Estos fragmentos de metal pueden causar lesiones en los ojos.

16. Después de perforar el agujero en el paso 17, coloque el soporte de montaje de la rueda en el tubo del soporte. Con los pernos de ½ pulg. x 3 pulg., las arandelas y la tuerca de fijación que se proporcionan, atornille el soporte de montaje de la rueda. Apriete el perno de ½ pulg. de 55 a 60 pies/lb.
17. Monte el neumático y la rueda al soporte de la rueda con las tuercas de orejetas. Puede utilizar las tuercas de fijación para evitar posibles robos.
18. Monte el mecanismo de cierre. Inserte el tirador por el orificio en la parte superior del tubo del soporte de la rueda. A continuación, introduzca el muelle helicoidal suministrado por el orificio rectangular de la parte inferior del tubo. Inserte el percutor de cierre por el mismo orificio rectangular. El tirador se introducirá en el orificio con diámetro de ½ pulg. del percutor. Alinee los pequeños orificios transversales del tirador y del percutor. Introduzca el pasador cilíndrico golpeándolo con un martillo por el orificio del percutor y del tirador. Cuando lo introduzca por completo, debería quedar alineado en ambos lados del percutor. Consulte la **Figura 7** para obtener una vista expandida del montaje.

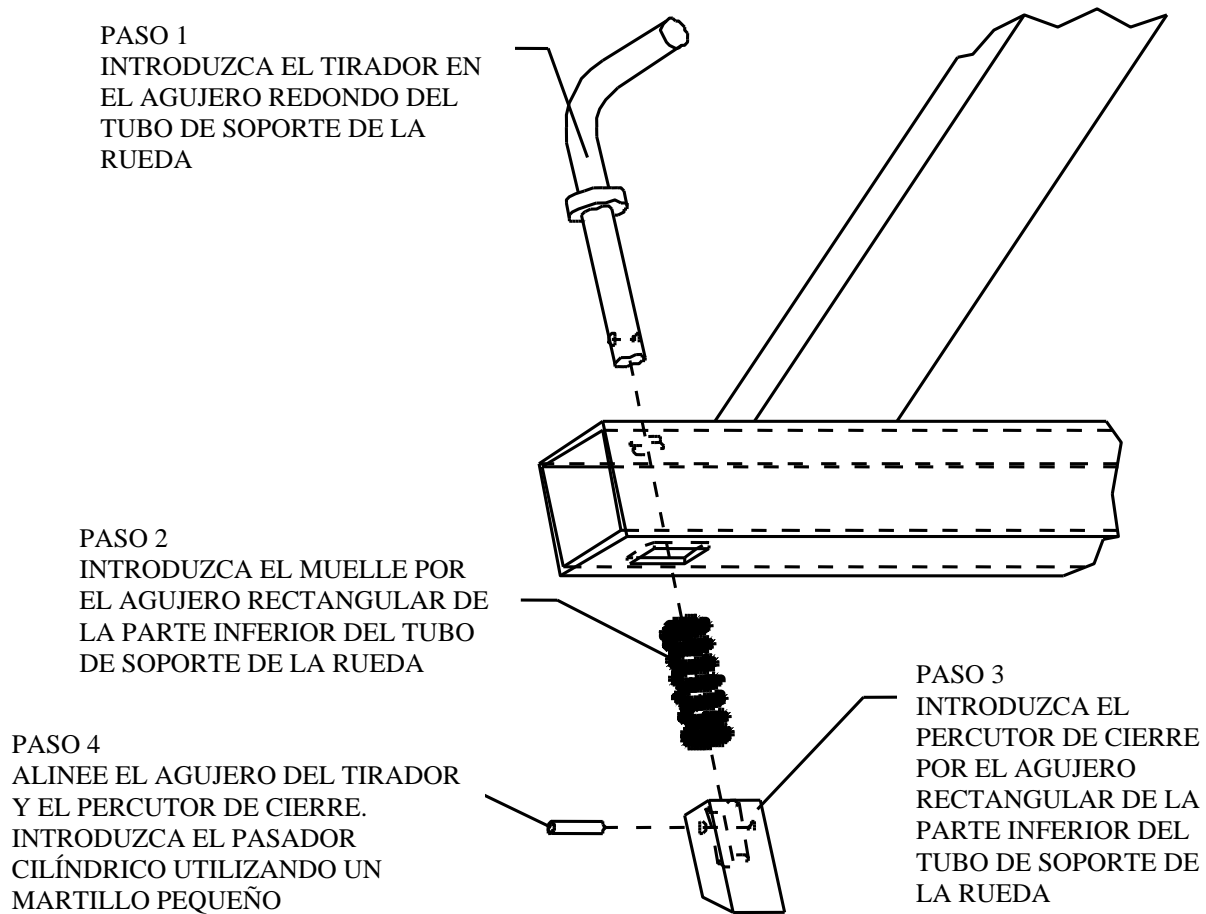


FIGURA 7, VISTA EXPANDIDA DEL MONTAJE DEL CIERRE.

19. Hay una placa plana soldada al armazón del soporte de la rueda. En los modelos CJ se debería montar un parachoques de goma a la placa plana o bien a la puerta trasera para evitar que el soporte de la rueda se mueva cuando se circule por terrenos accidentados. **Consulte el paso 24 para el montaje en modelos CJ.** Los modelos TJ y YJ ya cuentan con estos parachoques de goma en la puerta trasera. Puede que deba quitar el parachoques superior del lado del conductor de la puerta trasera para tener una ligera presión en la placa plana cuando el montaje esté en posición de cierre. **Consulte la Figura 8.**

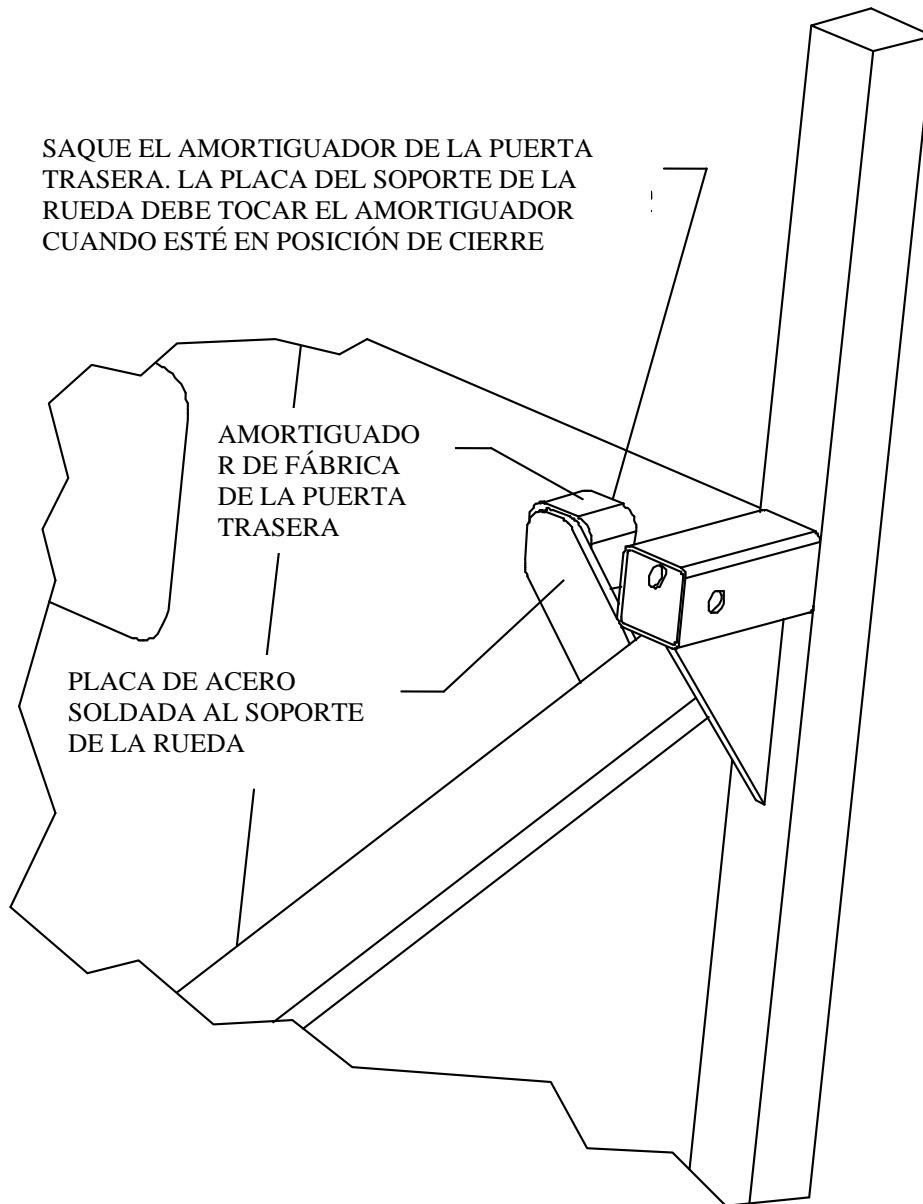


Figura 8, Amortiguador del parachoques de la puerta trasera de los modelos TJ y YJ.

20. Puede montar una antena CB al parachoques o al soporte de la rueda. Si la monta en el parachoques, la recepción de la antena CB será mejor. Es posible que el soporte de la rueda no ofrezca la recepción suficiente. Lo que han hecho muchos clientes ha sido perforar un orificio en los extremos de un lado del parachoques.

21. En los modelos TJ, y haciendo uso de las dos abrazaderas que se proporcionan, monte los soportes a la carrocería con los tornillos que vienen de fábrica. El extremo del soporte que incorpora el orificio estándar se monta en la carrocería. Los orificios dentados se utilizan para el montaje de la placa de la matrícula. Alinee las dos abrazaderas para que giren 5 grados y puedan separarse de la puerta trasera. Apriete los tornillos. Con las piezas de ¼ pulg. que tiene a su disposición, introduzca un perno con una arandela plana por la placa de la matrícula y el soporte y apriételo con una arandela de presión y una tuerca. Repita este proceso para las dos abrazaderas. **Consulte la Figura 9.**

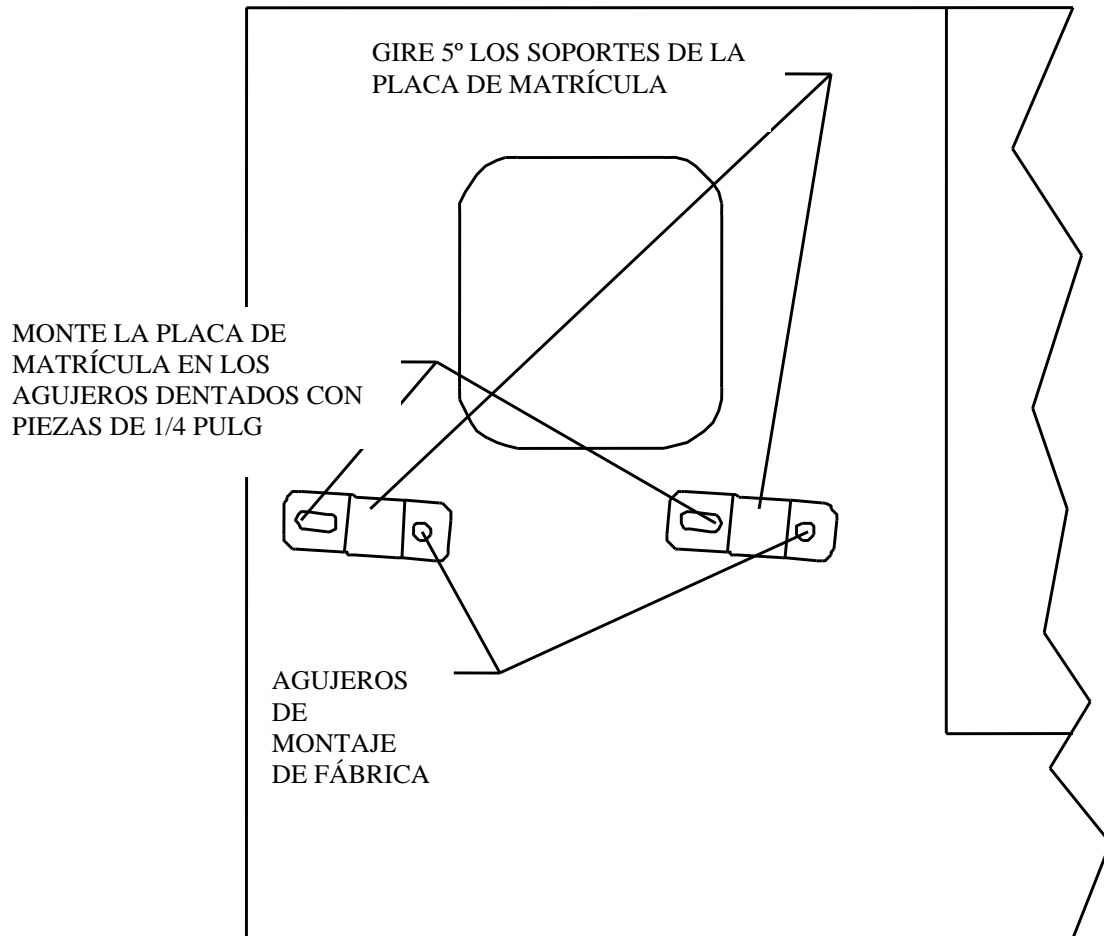


FIGURA 9, SOPORTES DE MONTAJE PARA LA MATRÍCULA SOLO EN MODELOS TJ

22. En los vehículos TJ y YJ con una 3ª luz de freno, será necesario volver a instalar la luz. Esta operación puede llevarse a cabo fácilmente cortando el soporte original y montándolo al poste vertical del nuevo soporte de la rueda. Para ello, se proporcionan dos tornillos pequeños. **Consulte la Figura 10.**

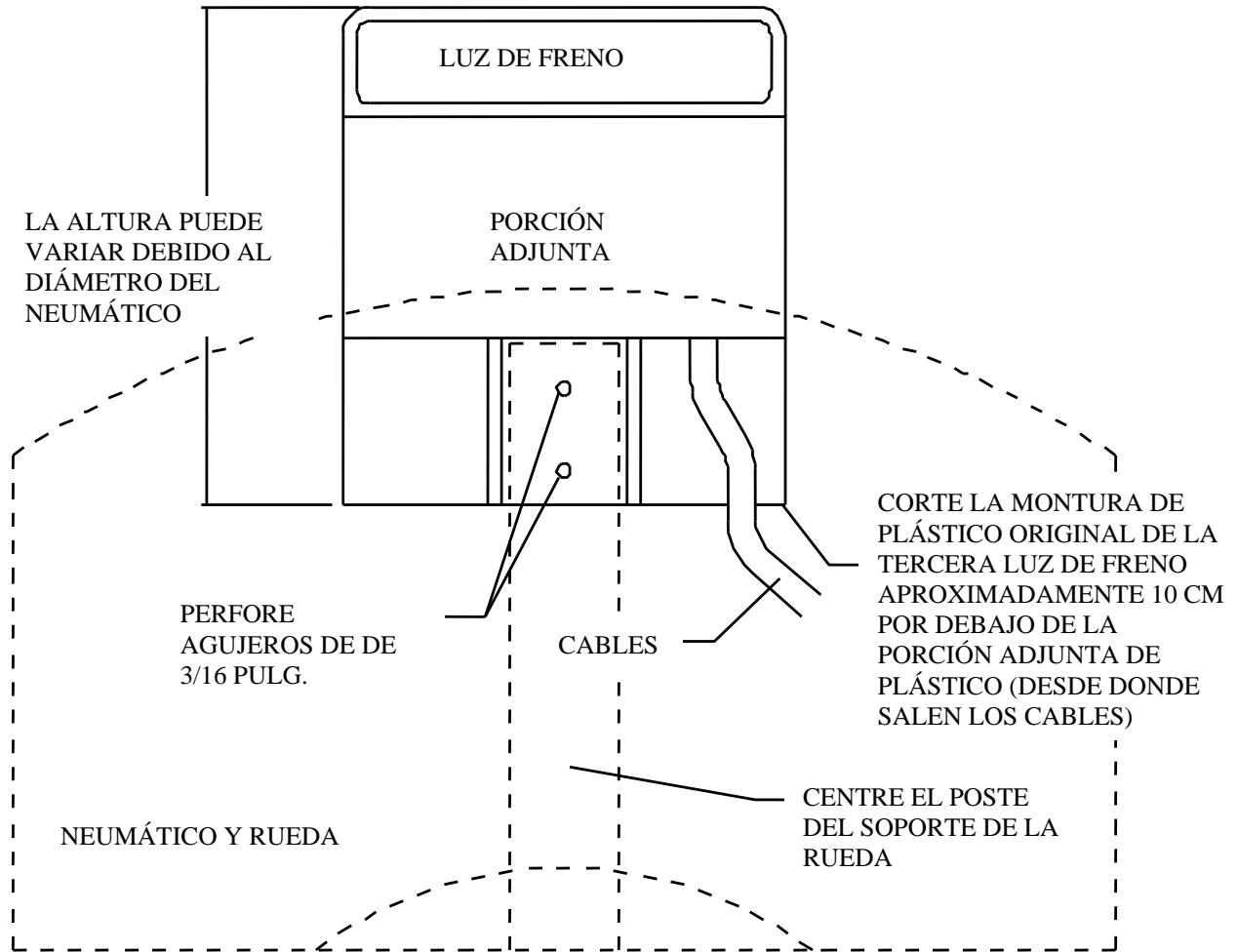


Figura 10, MONTAJE DE LA 3ª LUZ DE FRENO

23. En los vehículos CJ, se debe instalar un parachoques de goma a la puerta trasera. El n° de referencia de Chrysler/Jeep es **55013350** y está disponible en los departamentos de piezas de Jeep. Se incluye una foto como referencia. Dependiendo de la alineación de la carrocería al bastidor de su vehículo, es posible que deba separar el parachoques de goma de la puerta trasera o bien lijarlo; la mayoría de las veces será necesario lijarlo.

NOTA: debería haber una ligera tensión en el parachoques de goma cuando el soporte de la rueda esté en posición de cierre. Debido a la antigüedad y a la diferencia existente entre los vehículos, asegúrese de que el soporte de la rueda está en posición vertical cuando esté en posición de cierre y de que hay una ligera tensión en el parachoques de la puerta trasera. Puede que deba añadir más tensión al parachoques de la puerta trasera para obtener la verticalidad en la posición de cierre. Se garantizará así que el soporte no vibre en las bisagras de la puerta trasera.

Con el soporte de la rueda en posición de cierre, intente deslizar el parachoques de goma entre la puerta trasera y la lengüeta soldada del soporte de la rueda. En la fotografía siguiente, se ha lijado el borde inferior del parachoques de goma en un

ángulo de 45 grados para que el parachoques de goma quede situado por debajo de la puerta trasera. Cuando encuentre la posición correcta, haga una marca en la puerta trasera. Abra el soporte de la rueda y marque un orificio en el centro del parachoques de goma. El parachoques de goma puede atornillarse de manera simple o con una chapa metálica a la puerta trasera.



Fotografía del parachoques de goma en la puerta trasera de un vehículo CJ.



ADVERTENCIA



Al taladrar pueden saltar fragmentos metálicos. **PÓNGASE GAFAS DE SEGURIDAD.** Estos fragmentos de metal pueden causar lesiones en los ojos.

24. Cuando finalice todos los pasos anteriores, vuelva a comprobar el par de apriete de todos los pernos de montaje.

25. Rellene los accesorios de engrase del soporte de la rueda periódicamente para evitar corrosiones y atascamientos.