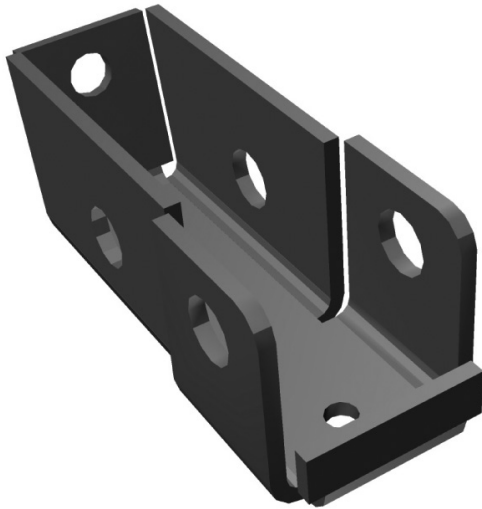




Installation Instructions



Product: **Rear Lower Shock Extensions**

Part Number: **PN 2944**

Application: **Jeep Wrangler TJ, 1997-06**

Welcome

CONGRATULATIONS on your purchase of new JKS Rear Lower Shock Extensions! At JKS Manufacturing, we are committed to providing you with the best products available and your satisfaction is our first priority.

PLEASE READ these Installation Instructions carefully, and save them for future reference, as they contain important installation and maintenance information.

Important

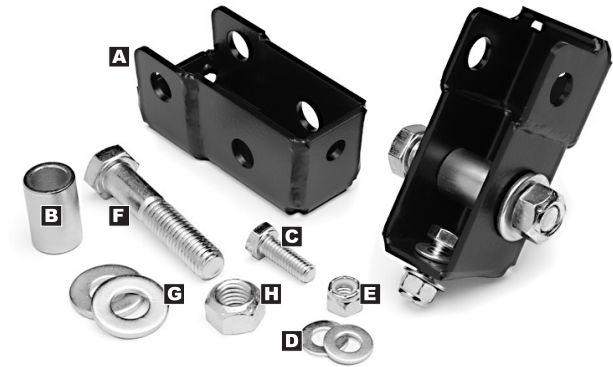
INSTALLATION OF SHOCK EXTENSIONS relocates the rear lower shock mounts 1-3/4" away from the axle housing for additional clearance.

Tools Required

- Metric/Standard Socket Wrench Set
- 1/2" Open End Wrench
- Torque Wrench
- Factory Service Manual (recommended)

** Asterisk denotes tools that are not required for some applications. Thoroughly read instructions first to determine which tools will be required for your application.*

Parts



	DESCRIPTION	QTY
A	Extension Brackets	2
B	Steel Sleeves	2
C	5/16" x 7/8" Bolts	2
D	5/16" SAE Flat Washers	4
E	5/16" Nylock Nuts	2
F	1/2" x 2-1/2" Bolts	2
G	1/2" SAE Flat Washers	4
H	1/2" Ovalok Nuts	2

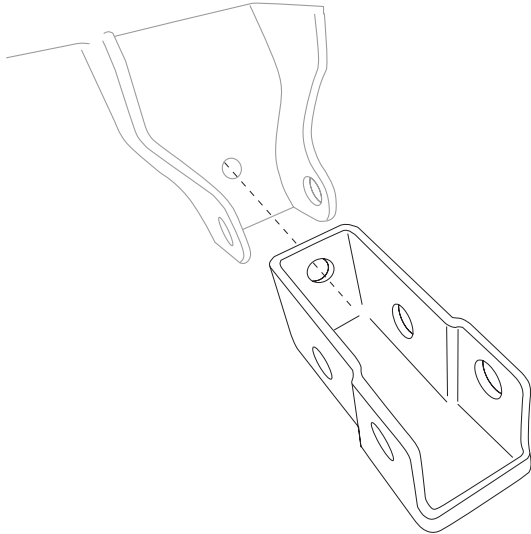
Installation

❑ 1. REMOVE SHOCK ABSORBERS

- Remove the nut and bolt that secures the rear shock absorber to the axle. Retain hardware for re-installation.
- Remove shock absorber from the lower mount and move it out of the way.

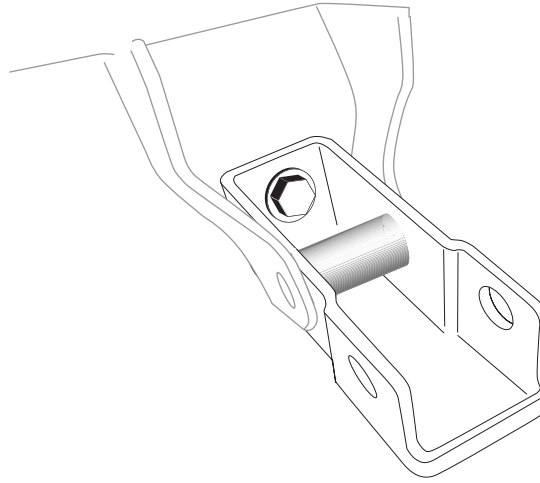
❑ 2. INSTALL EXTENSION BRACKET

- Slide narrow end of Shock Extension (A) into factory lower shock mount on axle.



- Align the small hole in the bracket with the small hole on the factory shock mount and insert a 5/16" x 7/8" Bolt (C) with 5/16" Flat Washer (D)
HINT: Insert bolt from bracket side so that threaded end points forward.
- Install a 5/16" Nylock Nut (E) with another 5/16" Flat Washer (D) onto bolt, but do not tighten yet.

- Slide the supplied Steel Sleeve (B) into the Extension Bracket (A) and align with the original shock mounting holes.



- Insert 1/2" x 2-1/2" Bolt (F) with 1/2" Flat Washer (G) into the original shock mounting hole and through the Extension Bracket (A) and Steel Sleeve (B). **HINT:** Sleeve prevents shock mount and bracket from collapsing when 1/2" bolt is tightened.
- Secure bolt to shock mount by installing a 1/2" Ovalok Nut (H) with 1/2" Flat Washer (G) on other end.
- Using a torque wrench, tighten the 1/2" Bolt (F) to 65 ft-lbs. Then tighten the 5/16" Bolt (C) to 35 ft-lbs.

❑ 3. RE-INSTALL SHOCK ABSORBERS

- Slide the shock absorber into the wide end of Extension Bracket (A) and secure with the original shock mounting hardware.
- Using a torque wrench, tighten original shock mounting bolt to 65 ft-lbs.

© 2006 JKS Manufacturing, Inc & Aftermarketing, LLC
Revision Date 12/2/2006