






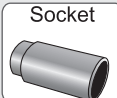



Installation Instructions

Hood Applique

Vehicle Application:

- Jeep JK Wrangler and Wrangler Unlimited
2007 – Current
Part Number: 81713

www.Bestop.com - We're here to help! Visit our web site and click on "[Ask a Question](#)". Click here for more [Jeep® Accessories by Bestop](#).

INSTALLATION TIME	SKILL LEVEL		
 1 Hour	 2 - Moderately Easy		
TOOLS			
 Ratchet	 Socket 8 mm	 Flat-Head Screwdriver	 Masking Tape
 Safety Glasses			



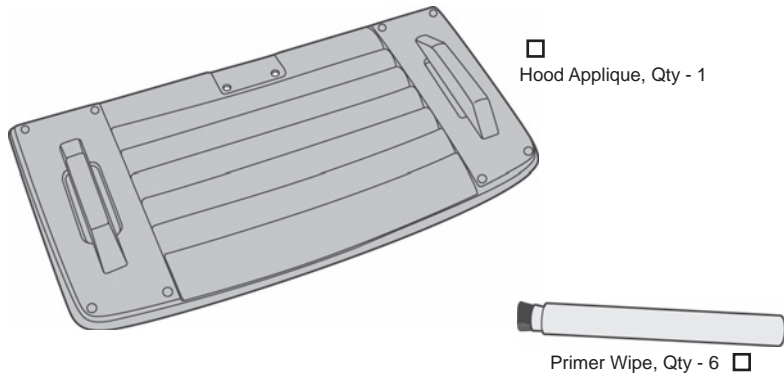
⚠ WARNING This product is designed primarily to enhance the appearance of the vehicle. Do not rely in any way on the components of this product to protect against injury or death in the event of an accident. Never operate the vehicle in excess of manufacturer's specifications.

WEAR SEAT BELTS AT ALL TIMES

Read and follow, precisely, all installation instructions provided when installing product. Failure to do so may result in a poor fit and could place occupants of the vehicle in a potentially dangerous situation.

Hood Applique Installation Instructions

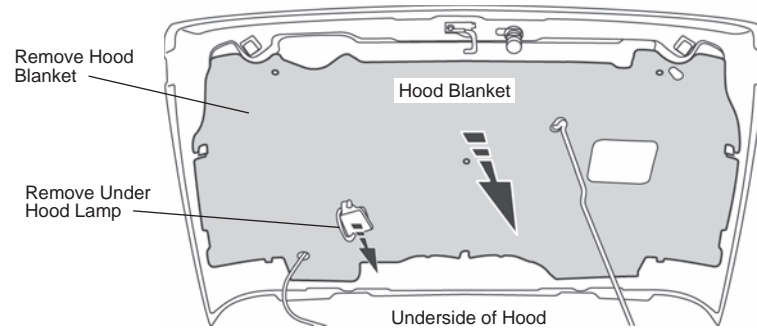
Parts List and Hardware Identification



2 Remove Under Hood Lamp

Unplug and remove the under hood lamp and remove it. Set it aside to be reinstalled later.

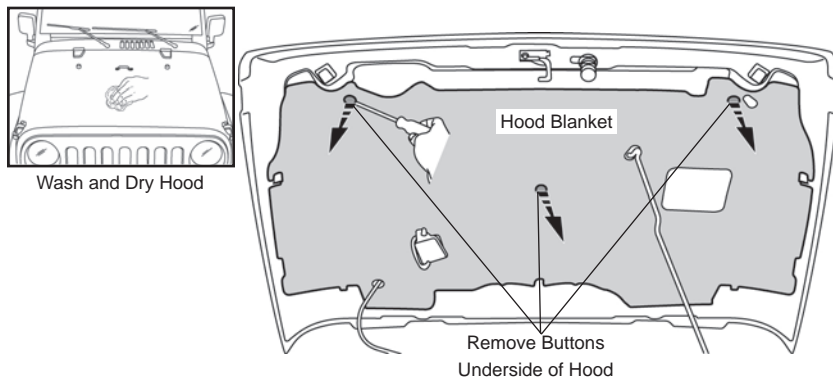
Remove the hood blanket and set it aside.



1 Remove Hood Blanket

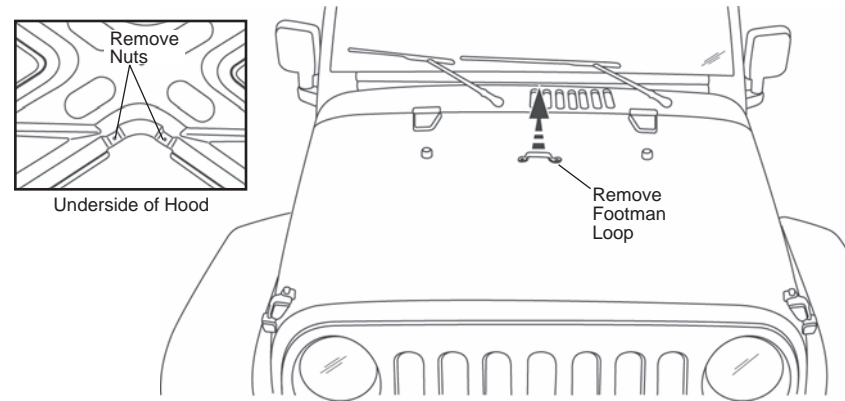
Wash and dry the hood of the vehicle.

Pry up the buttons that secure the hood blanket. Set the buttons aside to be used to reinstall the blanket.



3 Remove Hood Footman Loop

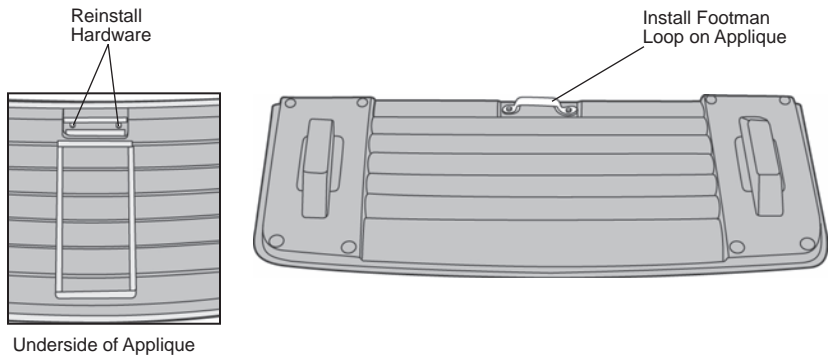
Use an 8mm Socket to remove the hardware that secures the footman loop to the hood. Set the footman loop and hardware aside to be reinstalled later.



Hood Appliance Installation Instructions

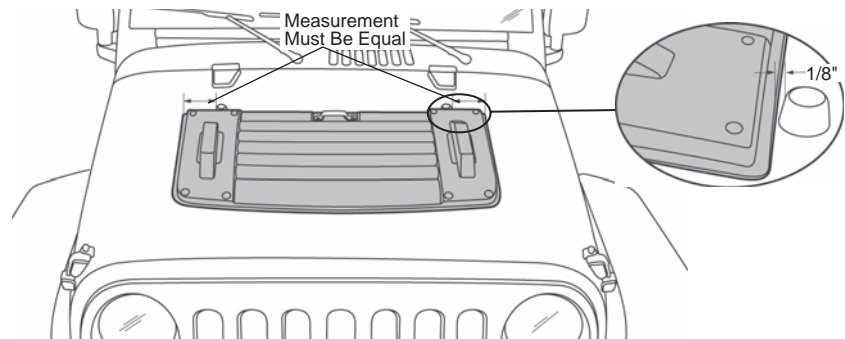
4 Install Hood Footman Loop on Hood Appliance

Place the footman loop through the holes in the Appliance from the top and secure it with the hardware that mounted the footman loop to the hood.



5 Orient Hood Appliance

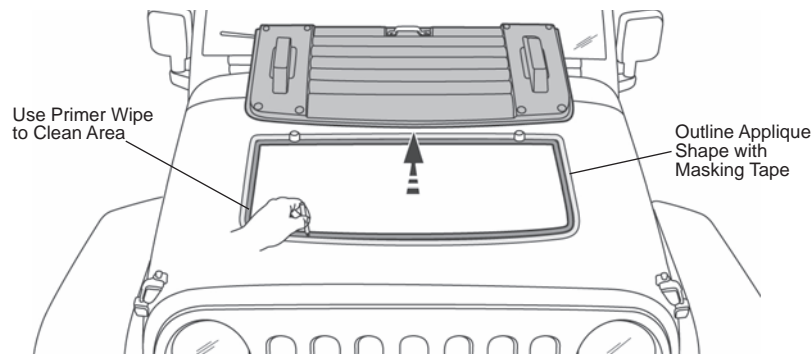
Place the Hood Appliance on the hood. Line up the holes in the Appliance with the footman loop holes in the hood. Make sure that the Appliance is centered and that the measurement is the same on both sides from the bumper to the outside corner and that the Appliance is 1/8" in front of the bumpers.



6 Prepare Hood

Place masking tape on the hood around the outline of the Hood Appliance. Set the Appliance aside.

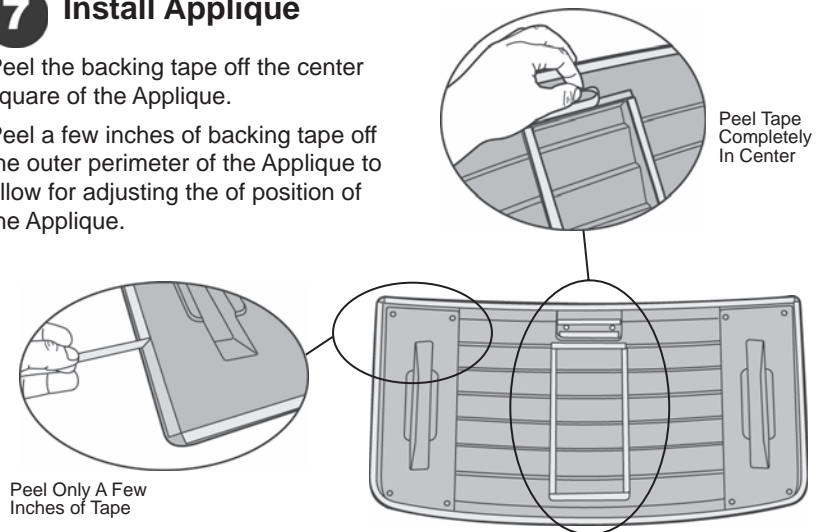
Use the Primer Wipe provided to wipe the area inside the masking tape.



7 Install Appliance

Peel the backing tape off the center square of the Appliance.

Peel a few inches of backing tape off the outer perimeter of the Appliance to allow for adjusting the of position of the Appliance.



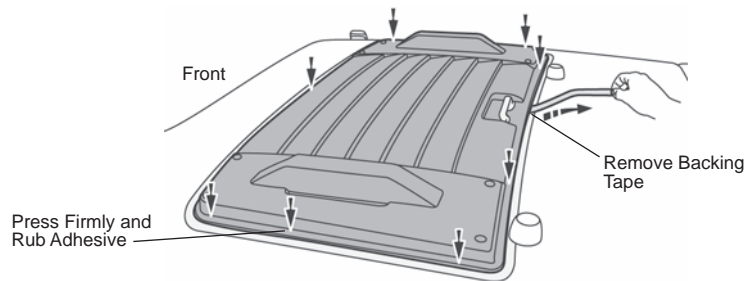
Hood Applique Installation Instructions

8 Install Applique

Place the Hood Applique in position on the hood.

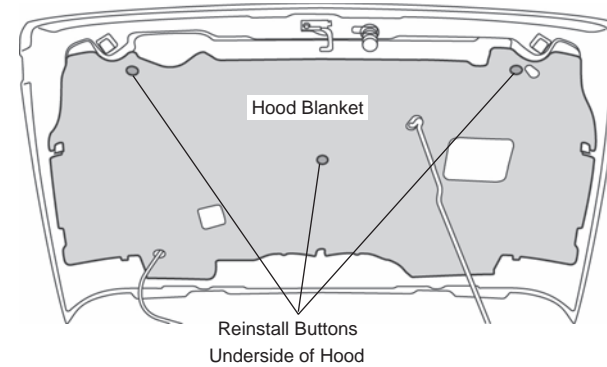
Once the Hood Applique is in the desired position, peel off the rest of the backing tape. Press down firmly and rub the areas where the Hood Applique adheres to the vehicle.

NOTE The adhesive requires 24 hours to fully set and bond to the vehicle.



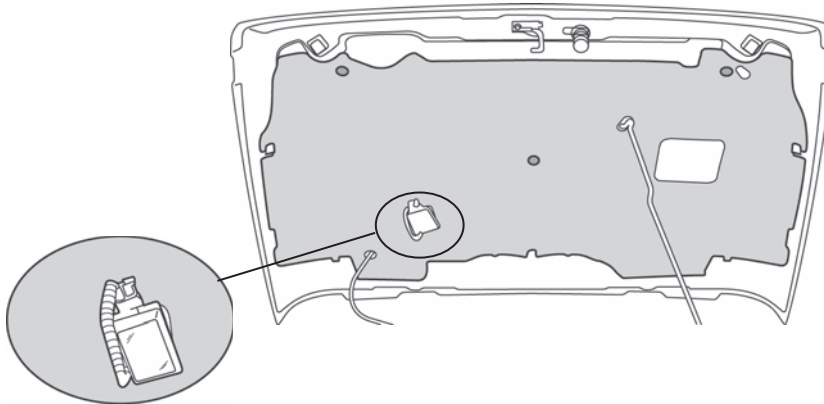
9 Reinstall the Hood Blanket

Place the hood blanket under the hood and reinstall the buttons.



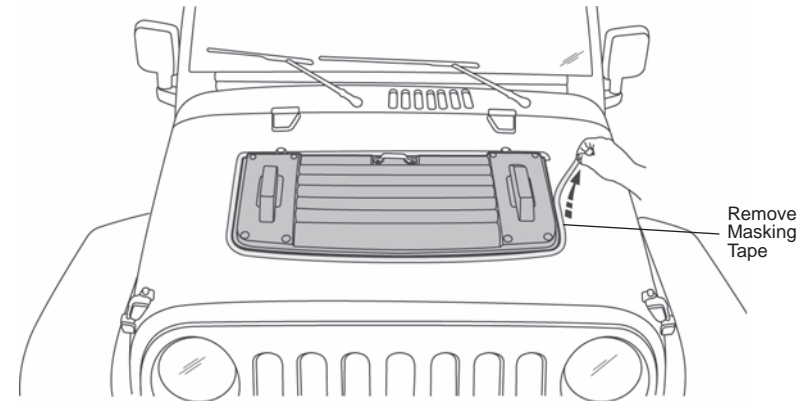
10 Reinstall Under Hood Light

Reconnect the under hood light.



11 Remove Masking Tape

Remove the masking tape outline on the hood of the vehicle.



Hood Applique Installation Instructions

LIMITED WARRANTY

We warrant our product to be free from defects in material and workmanship, for the terms specified below, provided there has been normal use and proper maintenance. This warranty applies to the original purchaser only. All remedies under this warranty are limited to the repair or replacement of any item or items found by the factory to be defective within the time period specified. If you have a warranty claim, first you must call our factory at the number below for instructions. You must retain proof of purchase and submit a copy with any items returned for warranty work. Upon completion of warranty work, if any, we will return the repaired or replaced item or items to you freight prepaid. Damage to our products caused by accidents, fire, vandalism, negligence, misinstallation, misuse, Acts of God, or by defective parts not manufactured by us, is not covered under this warranty.

THE WARRANTY TIME PERIOD IS AS FOLLOWS FOR REPLACE-A-TOP™, SAILCLOTH REPLACE-A-TOP™, SUPERTOP®, SUPERTOP® REPLACEMENT SKINS, SUNRIDER®, AND TIGERTOP®: TWO YEARS FROM DATE OF PURCHASE.

THE WARRANTY TIME PERIOD IS AS FOLLOWS FOR ALL OTHER “SOFT GOODS” MANUFACTURED BY OUR COMPANY (USING PRIMARILY VINYL, PLASTICS, AND/OR FOAM): ONE YEAR FROM DATE OF PURCHASE.

THE WARRANTY TIME PERIOD IS AS FOLLOWS FOR ALL OTHER “HARD GOODS” MANUFACTURED BY OUR COMPANY (USING PRIMARILY METALS, PLASTICS, AND/OR FIBERGLASS): ONE YEAR FROM DATE OF PURCHASE.

ANY IMPLIED WARRANTIES OF MERCHANTABILITY AND/OR FITNESS FOR A PARTICULAR PURPOSE CREATED HEREBY ARE LIMITED IN DURATION TO THE SAME DURATION AND SCOPE AS THE EXPRESS WRITTEN WARRANTY. OUR COMPANY SHALL NOT BE LIABLE FOR ANY INCIDENTAL OR CONSEQUENTIAL DAMAGE.

Some states do not allow limitations on how long an implied warranty lasts, or the exclusion or limitation of incidental or consequential damages, so the above limitations or exclusions may not apply to you. This warranty gives you specific legal rights, and you may also have other rights which vary from state to state.



For further information or request for warranty work, please contact:
Bestop Inc. Customer Service
Toll-Free: (800)845-3567
Main: (303)465-1755
E-mail: csbestop@Bestop.com
Website: www.Bestop.com