



INSTALLATION INSTRUCTIONS

DIVIDER KITS #141 FOR PART #140

Please read and fill out the enclosed warranty registration card to activate your warranty.

HARDWARE PACKAGE

(16) 10-32 Nylock Nuts #22.3

(16) 10-32x1/2" Screws #22.1

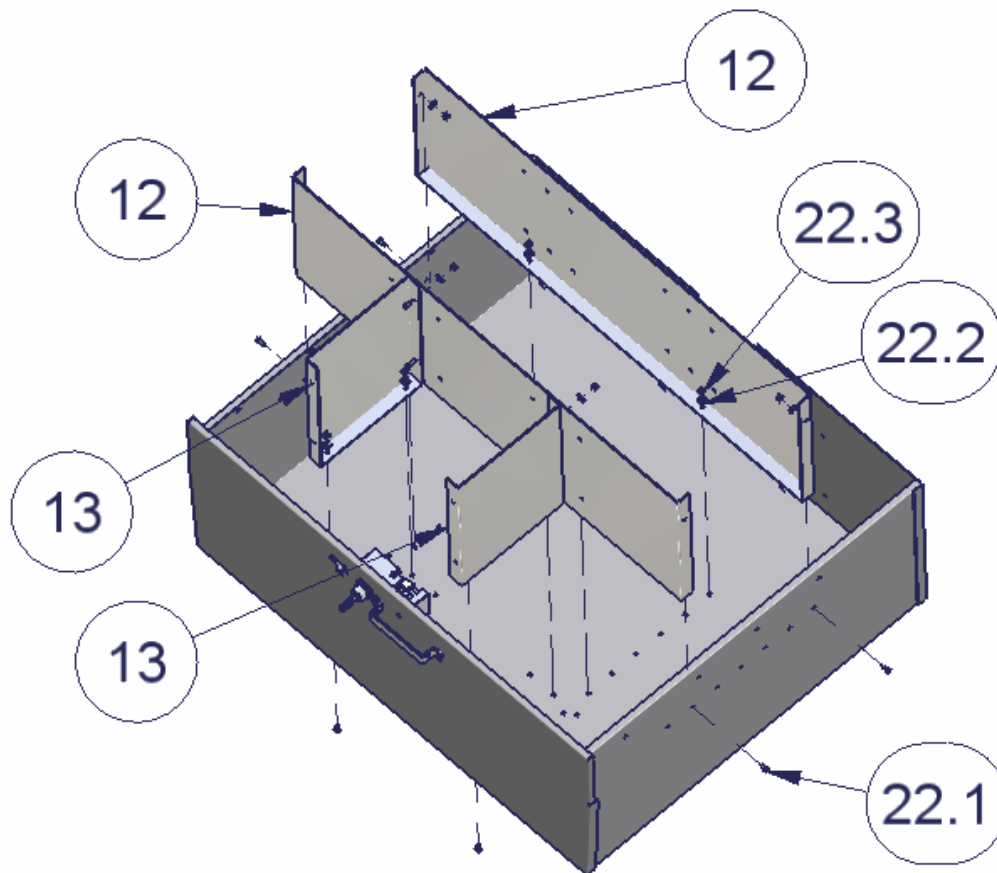
(16) #10 Washers #22.2

TOOLS AND SUPPLIES NEEDED

- Phillips head screwdriver
- 3/8" Nut driver or 3/8" wrench

INSTALLATION

1. Mount the dividers #12 and #13 using 10-32x1/2" Screws #22.1, nuts #22.3, and washers #22.2. Use (4) screws for each divider. Insert the screws from the outside. The illustration shows the standard mounting arrangement. A variety of other options are possible.



Call (970) 564-1762 for Technical Support