





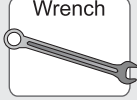



Installation Instructions HighRock 4x4™ Bumper Storage Box Bracket

Vehicle Application:

- Adapts HighRock 4x4™ Bumper Storage Box to 2" Receiver Hitch
Part Number: 42916

www.Bestop.com - We're here to help! Visit our web site and click on "[Ask a Question](#)". Click here for more [Jeep® Accessories by Bestop](#).

| INSTALLATION TIME | SKILL LEVEL | | |
|--|--|---|---|
|  1/4 Hour |  1 - Easy | | |
| TOOLS | | | |
|  Socket 17mm |  Ratchet |  Wrench 17mm |  Safety Glasses |



⚠ WARNING This product is designed primarily to enhance the appearance of the vehicle. Do not rely in any way on the components of this product to protect against injury or death in the event of an accident. Never operate the vehicle in excess of manufacturer's specifications.

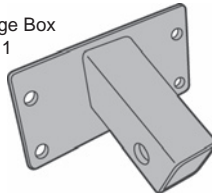
WEAR SEAT BELTS AT ALL TIMES

Read and follow, precisely, all installation instructions provided when installing product. Failure to do so may result in a poor fit and could place occupants of the vehicle in a potentially dangerous situation.

HighRock 4x4™ Bumper Storage Box Bracket Installation Instructions

Parts List

Bumper Storage Box Bracket, Qty - 1



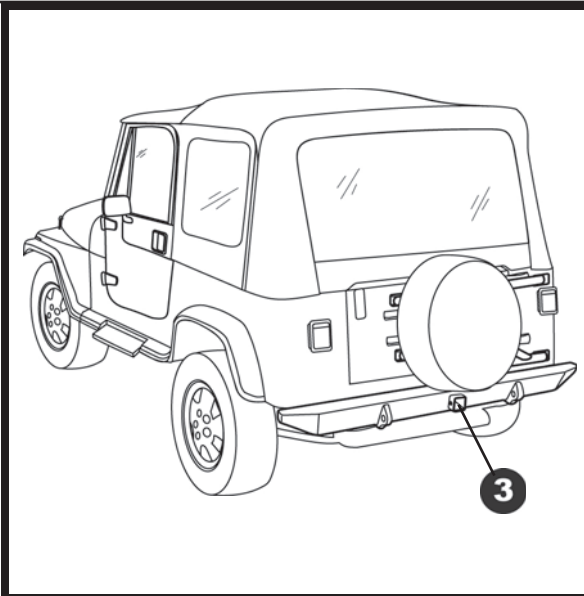
M10 Hex Head Bolt, Qty - 4



M10 Nylock Nut, Qty - 4

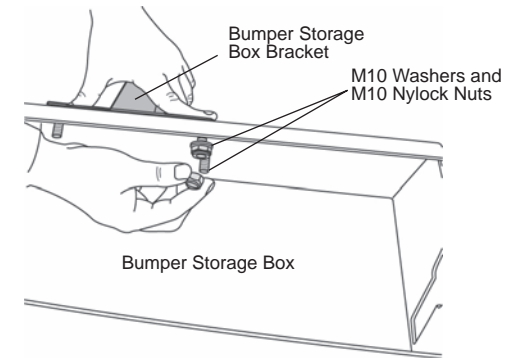


M10 Washer, Qty - 4



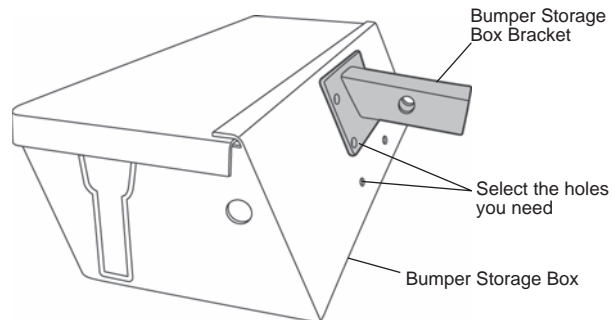
2 Install Bracket on Bumper Storage Box

Use the M10 Hex Bolts, M10 Washers and M10 Nylock Nuts to mount the Bumper Storage Box Bracket to the Bumper Storage Box.



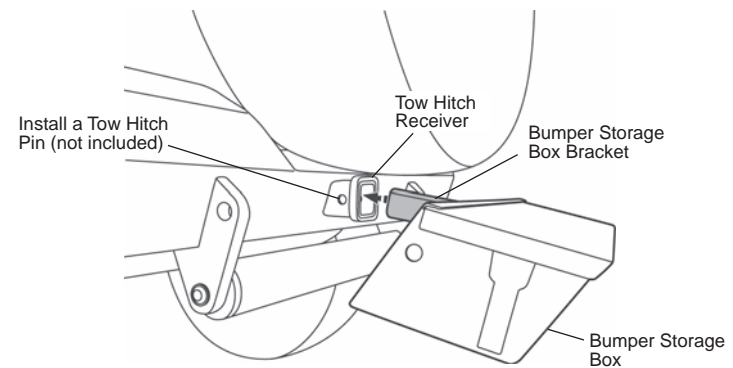
1 Orient Bumper Storage Box Bracket

Orient the Bumper Storage Box Bracket so that when it is mounted on the Bumper Storage Box it is parallel to the floor.
Select the holes that place the Bumper Storage Box at the height you need.



3 Install Bumper Storage Box Assembly

Slide the Bumper Storage Box Assembly into the tow hitch receiver on the vehicle. Secure it in place with a tow hitch pin (not included).



HighRock 4x4™ Bumper Storage Box Bracket Installation Instructions

LIMITED WARRANTY

We warrant our product to be free from defects in material and workmanship, for the terms specified below, provided there has been normal use and proper maintenance. This warranty applies to the original purchaser only. All remedies under this warranty are limited to the repair or replacement of any item or items found by the factory to be defective within the time period specified. If you have a warranty claim, first you must call our factory at the number below for instructions. You must retain proof of purchase and submit a copy with any items returned for warranty work. Upon completion of warranty work, if any, we will return the repaired or replaced item or items to you freight prepaid. Damage to our products caused by accidents, fire, vandalism, negligence, misinstallation, misuse, Acts of God, or by defective parts not manufactured by us, is not covered under this warranty.

THE WARRANTY TIME PERIOD IS AS FOLLOWS FOR REPLACE-A-TOP™, SAILCLOTH REPLACE-A-TOP™, SUPERTOP®, SUPERTOP® REPLACEMENT SKINS, SUNRIDER®, AND TIGERTOP®: TWO YEARS FROM DATE OF PURCHASE.

THE WARRANTY TIME PERIOD IS AS FOLLOWS FOR ALL OTHER “SOFT GOODS” MANUFACTURED BY OUR COMPANY (USING PRIMARILY VINYL, PLASTICS, AND/OR FOAM): ONE YEAR FROM DATE OF PURCHASE.

THE WARRANTY TIME PERIOD IS AS FOLLOWS FOR ALL OTHER “HARD GOODS” MANUFACTURED BY OUR COMPANY (USING PRIMARILY METALS, PLASTICS, AND/OR FIBERGLASS): ONE YEAR FROM DATE OF PURCHASE.

ANY IMPLIED WARRANTIES OF MERCHANTABILITY AND/OR FITNESS FOR A PARTICULAR PURPOSE CREATED HEREBY ARE LIMITED IN DURATION TO THE SAME DURATION AND SCOPE AS THE EXPRESS WRITTEN WARRANTY. OUR COMPANY SHALL NOT BE LIABLE FOR ANY INCIDENTAL OR CONSEQUENTIAL DAMAGE.

Some states do not allow limitations on how long an implied warranty lasts, or the exclusion or limitation of incidental or consequential damages, so the above limitations or exclusions may not apply to you. This warranty gives you specific legal rights, and you may also have other rights which vary from state to state.



For further information or request for warranty work, please contact:
Bestop Inc. Customer Service
Toll-Free: (800)845-3567
Main: (303)465-1755
E-mail: csbestop@Bestop.com
Website: www.Bestop.com