



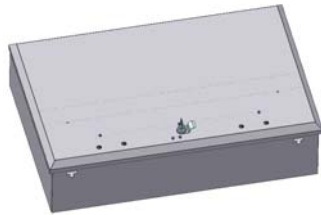
INSTALLATION INSTRUCTIONS

ROOF CARGO RACK STORAGE BOX #146

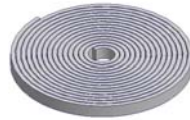
Refer to the assembly instructions for any optional mounting kit purchased in conjunction with this product for specific mounting application instructions.

Please read and fill out the enclosed warranty registration card to activate your warranty.

PARTS LIST



Storage Box



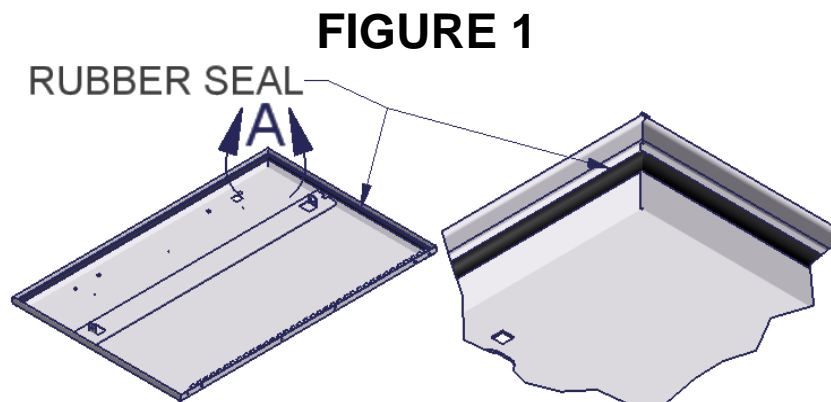
Rubber Seal Roll

1. Install rubber seal on lid. The rubber seal should be installed on the 45 degree angle where it meets with the box when closed. (SEE FIGURE 1)

Warning! The side of the box with the hinge must be facing the front of the vehicle and the side of the box with the lid opening must be facing the rear. Any other orientation can cause damage to the box and lid and create a safety hazard when operating the vehicle.

2. Refer to the optional mounting kit assembly instructions for specific application mounting instructions. For universal mounting, fasten the box to the mounting surface through the holes in the bottom of the box. Hardware is not included and will need to be provided by the customer for their specific needs. It is recommended to plug any unused holes with a bolt, nut, and washers for weather proofing.

Warning! Always make sure the lid is secured shut by both latches before operating the vehicle. The latching mechanism and all the mounting fasteners should be checked and tightened monthly.



ATTENTION:

FREQUENT LUBRICATION IS NECESSARY ON THE LOCKING SYSTEM

The pushbutton lock contains an "O" ring seal to protect the interior from dust and water. If this mechanism is not lubricated regularly it will become difficult to operate and it may not return to its home position preventing the key from operating the lock. If this happens simply pull up on the pushbutton to manually bring it back to its home position. Lubricate the pushbutton with a light lubricant such as silicone spray. The pushbutton may have to be periodically disassembled and cleaned.

Call (970) 564-1762 for Technical Support