

Quadratec® 3.5" Coil Suspension Lift Kit

Installation Manual: for 2007-Current Wrangler (JK)

#16400.0X4X



PARTS LIST:

- Front Coil Springs - QTY 2
- Rear Coil Springs - QTY 2
- 2" Front Bump Stop Spacers - QTY 2
- 2" Rear Bump Stop Spacers - QTY 2
- Front Track Bar Bracket - QTY 1
- Rear Track Bar Bracket - QTY 1
- Rear Track Bar Bracket Brace - QTY 1
- Rear Sway Bar Links - 2
- Brake Line Drop Brackets - QTY 4
- E-Brake Drop Bracket - QTY 1
- Full Kit Hardware Listed Inside Booklet

⚠ WARNING ⚠

TO REDUCE RISK OF SERIOUS INJURY OR PROPERTY DAMAGE: READ ALL SAFETY MESSAGES AND UNDERSTAND ALL INSTRUCTIONS AND PROCEDURE NOTICES BEFORE ATTEMPTING TO INSTALL OR USE THIS PRODUCT. FOLLOW ALL INSTRUCTIONS AND WARNINGS WITH PRODUCT & VEHICLE OWNERS MANUAL.

⚠ WARNING ⚠

THIS KIT INCLUDES A COCKPIT SAFETY WARNING STICKER REGARDING INCREASED ROLLOVER RISK. THIS STICKER MUST BE AFFIXED IN THE COCKPIT, VISIBLE TO ALL VEHICLE OCCUPANTS AT ALL TIMES.

⚠ CAUTION ⚠

RISK OF EYE INJURY! SAFETY GLASSES MUST BE WORN AT ALL TIMES WHILE INSTALLING OR MAINTAINING THIS PRODUCT. TORQUE AND RECHECK FASTENERS AFTER 250 MILES AND FREQUENTLY THEREAFTER. DO NOT USE IF DAMAGED.



The Trusted Source

A Few Words About Product Safety:

Your Quadratec Suspension product is intended to enhance the utility and enjoyment of your off road capable vehicle. Before installation, please review the following safety information and installation recommendations.

Throughout these instructions important safety information is generally preceded by one of three signal words indicating the relative risk of injury, property damage or adverse consequence. **The signal words mean:**

⚠ WARNING ⚠

a hazardous situation which, if not avoided, could result in death or serious injury. You CAN be KILLED or SERIOUSLY HURT if you don't follow instructions.

⚠ CAUTION ⚠

a hazardous situation which, if not avoided, could result in minor or moderate injury. You CAN be moderately HURT and also may suffer property damage if you don't follow instructions.

NOTICE

Careful attention is required to this instruction or operation but does generally not relate to personal injury. Damage to your Quadratec® product or other property may result if you don't follow instructions.

Before You Begin Installation:

Congratulations on your purchase of the Quadratec 3.5" Coil Spring Lift Kit for 2007-Current JK Wrangler Vehicles. When unpacking, check to make sure all

parts are included and not damaged due to shipping. If any part is missing or broken, please call Customer Service at 800-745-6037 as soon as possible.

IMPORTANT PRODUCT SAFETY TIPS

⚠ WARNING ⚠

INSTALLATION OF THIS PRODUCT ON YOUR JEEP® WILL MODIFY AND ENHANCE ITS SUSPENSION AND OFF-ROAD PERFORMANCE. IT MAY HANDLE DIFFERENTLY THAN AS FACTORY-EQUIPPED INCLUDING; INCREASED RIDE-HEIGHT; REDUCED LATERAL STABILITY; AND HIGHER RISK OF ROLL-OVER OR OTHER ACCIDENT. ALSO, OWNER'S CHOICE OF LARGER TIRE/WHEEL COMBINATIONS MAY REQUIRE ADDITIONAL PEDAL PRESSURE OR INCREASED DISTANCE TO STOP; CAUSE SPEEDOMETER TO READ SLOW AND MAY REDUCE VISIBILITY AROUND THE VEHICLE. CHOICE OF TIRE/WHEEL COMBINATIONS OTHER THAN AS TESTED OR RECOMMENDED MAY COMPROMISE FMVSS 126 COMPATIBILITY.

⚠ WARNING ⚠

FAMILIARIZE YOURSELF WITH VEHICLE HANDLING AND REVIEW ALL VEHICLE MANUFACTURERS AND QUADRATEC® WARNINGS, INSTRUCTIONS AND LIMITED WARRANTIES BEFORE DRIVING A MODIFIED SUSPENSION JEEP®. FOLLOW ALL RECOMMENDED MAINTENANCE PROCEDURES AND ROUTINELY INSPECT YOUR VEHICLE COMPONENTS FOR UNUSUAL WEAR OR OFF-ROAD DAMAGE.

⚠ WARNING ⚠

DO NOT DRIVE UNDER ANY SPEED OR MANEUVERING CONDITIONS WHICH MAY CAUSE THE VEHICLE TO TRIP, ROLL, LOSE TRACTION OR COMPROMISE YOUR ABILITY TO SAFELY BRAKE IN AN EMERGENCY. QUADRATEC® DOES NOT RECOMMEND COMBINED USE OF SUSPENSION KITS, BODY LIFTS, OTHER LIFTING DEVICES OR COMPONENTS ALTERING THE INTENDED RIDE-HEIGHT OR FUNCTION OF ITS PRODUCTS. MANY STATES HAVE LAWS RESTRICTING THE EXTENT OF VEHICLE MODIFICATIONS. OWNER/DRIVER IS RESPONSIBLE FOR MODIFICATIONS CONSISTENT WITH STATE LAWS AND GOOD SENSE.



The Trusted Source

IMPORTANT PRODUCT SAFETY TIPS



QUADRATEC® RECOMMENDS PROFESSIONAL INSTALLATION OF THIS PRODUCT.



3.5" KIT PARTS LIST:

Front Coil Springs - QTY 2
 Rear Coil Springs - QTY 2
2" Front Bump Stop Spacers - QTY 2
 10mm Button Head Bolts - QTY 2
 3/8" SAE Washers - QTY 2
 10mm Locknuts - QTY 2
2" Rear Bump Stop Spacers - QTY 2
 3/8" x 1 Fine Thread Bolts - QTY 4
 3/8" SAE Washers - QTY 8
 3/8" Fine Thread Locknuts - QTY 4
Front Track Bar Bracket - QTY 1
 7/16" x 2 1/2" Fine Thread Bolts - QTY 2
 3/8" SAE Washers - QTY 2
 7/8" Fine Thread Locknuts - QTY 2
 3/8" x 3 Coarse Thread Bolt - QTY 1
 3/8" SAE Washers - QTY 2
 3/8" Coarse Thread Locknut - QTY 1
Rear Track Bar Bracket - QTY 1
 1/2" x 1 1/4" Fine Thread Bolt - QTY 1
 1/2" SAE Washer - QTY 1
 1/2" Fine Thread Locknut - QTY 1
 7/8" x 1 Fine Thread Bolt - QTY 1
 3/8" SAE Washer - QTY 1
 7/8" Fine Thread Locknut - QTY 1

3/8" x 3 Fine Thread Bolt - QTY 1
 3/8" SAE Washers - QTY 2
 3/8" Fine Thread Locknut - QTY 1
 Crush Sleeve
Rear Track Bar Bracket Brace - QTY 1
 3/8" Coarse Thread Bolts - QTY 3
 3/8" Extra Thick Flat Washers - QTY 3
 3/8" Grade 8 Lock Washers - QTY 3
Rear Sway Bar Links - 2
 1/2" x 2 1/2" Coarse Thread
 Button Head Bolts - QTY 4
 1/2" SAE Washers - QTY 4
 1/2" USS Washers - QTY 4
 1/2" Coarse Thread Locknut - QTY 4
 Hourglass Bushings - QTY 4
 1 1/4" Long Sleeves - QTY 4
Brake Line Drop Brackets - QTY 4
 1/4" x 1 Fine Thread Bolts - QTY 4
 1/4" SAE Washers - QTY 8
 1/4" Fine Thread Locknuts - QTY 4
E-Brake Drop Bracket - QTY 1
 1/4" x 1 Fine Thread Bolts - QTY 2
 1/4" SAE Washers - QTY 4
 1/4" Fine Thread Locknuts - QTY 2
 Cam Bolts - QTY 4

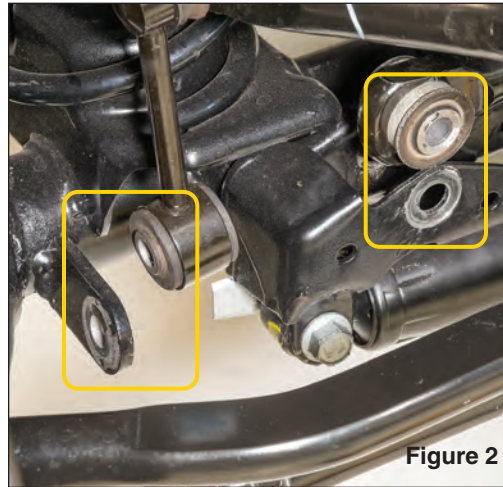
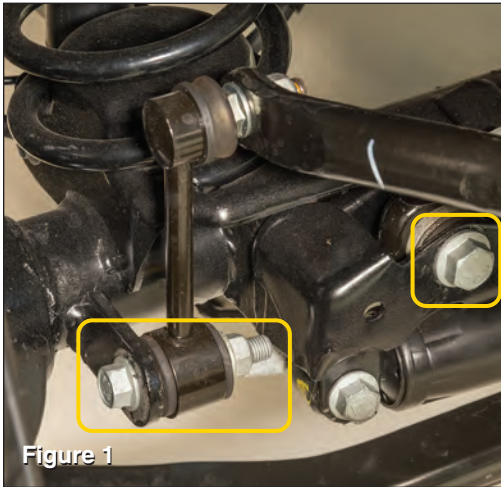
REQUIRED TOOLS:

Safety Glasses
 Hand Drill
 3/4" Drill Bit
 5/32" Drill Bit
 1/8" Drill Bit
 7/32" Allen Wrench
 3/8" Allen Wrench
 1/8" Socket
 1/2" Socket
 3/8" Socket
 10, 15, 16, 18, 19, 21mm Sockets
 7/8" Socket
 7/8" Open End Wrench
 1/2" Open End Wrench
 3/8" Open End Wrench
 5/8" Open End Wrench
 18mm Open End Wrench
 19mm Open End Wrench
 7/8" Open End Wrench
 Locking Pliers (I.E. Vise Grips)
 Diagonal Wire Cutters
 Paint Pen or Marker
 Hammer
 Punch



The Trusted Source

3.5" Coil Spring Lift Kit Installation: Front

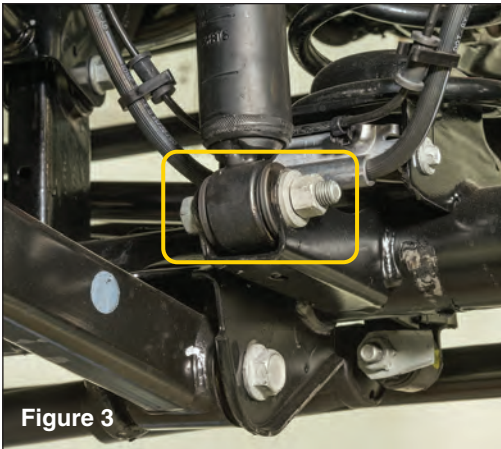


Caution: Park the vehicle on flat, level ground and set emergency brake. Put on safety glasses. Raise the front of the vehicle and support frame rails using jack stands. Do not lower the axle at

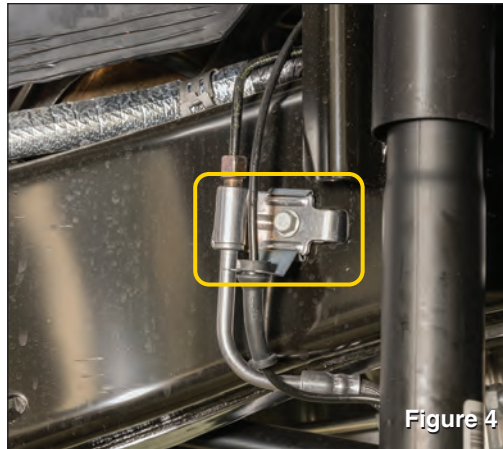
this time. Remove front tires/wheels. Disconnect the front sway bar end links using a 18mm socket and open end wrench. Disconnect front track bar using a 21mm socket. (see FIG 1 & 2)

CAUTION

PARK THE VEHICLE ON FLAT, LEVEL GROUND AND SET EMERGENCY BRAKE. ALWAYS SUPPORT FRAME RAILS USING JACK STANDS.



Disconnect the bottom end of the front shocks using an 18mm socket and open end wrench. (see FIG 3)

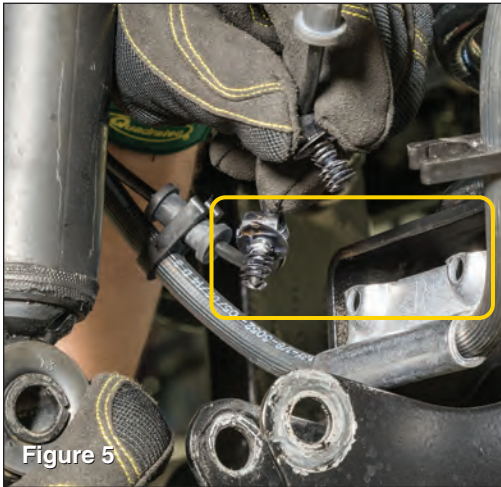


Disconnect brake line bracket from frame using a 10mm socket. (see FIG 4)



The Trusted Source

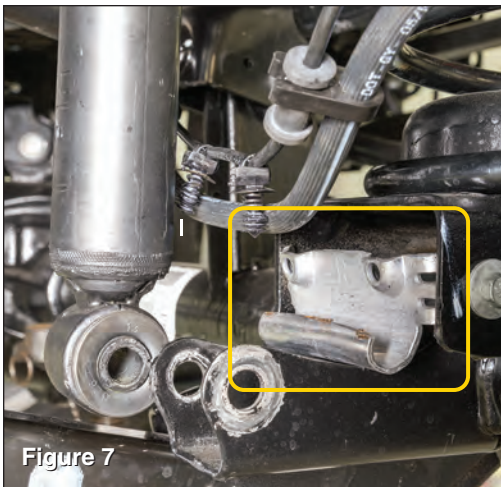
3.5" Coil Spring Lift Kit Installation: Front



On 2011 and newer models disconnect the ABS lines from brake line bracket (see FIG 5)



Using locking pliers, separate the bracket from brake line (FIGS 6 & 7).



Remove bracket using a 10mm socket and discard (see FIG 7).



Remove original equipment front shock absorbers. Locate the shocks fasteners as shown.



The Trusted Source

3.5" Coil Spring Lift Kit Installation: Front



Figure 9

Disconnect the top end of the front shocks using two 5/8" open end wrenches. (see FIG 9)



Figure 10

Mark the front drive shaft position with a paint marker and remove 4 bolts using a 15mm socket. (see FIG 10)

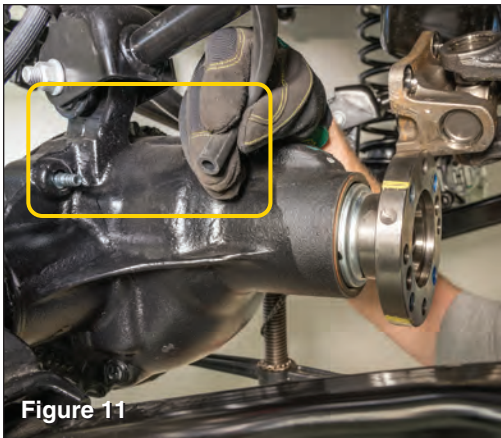


Figure 11

Disconnect axle vent line. (see FIG 11)

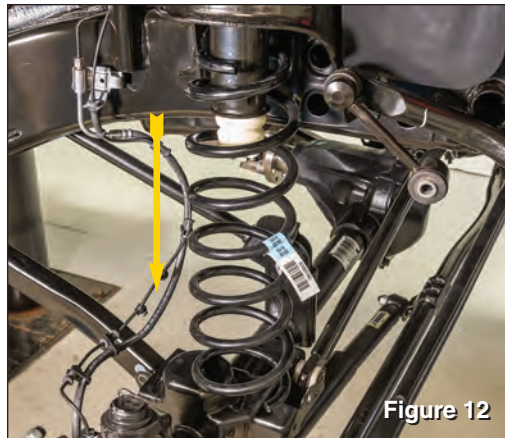


Figure 12

Gently lower axle housing towards the ground and remove original coil springs. (see FIG 12)

⚠ CAUTION ⚠

THE COIL SPRINGS MAY BE UNDER TENSION. REMOVE CAREFULLY.



The Trusted Source

3.5" Coil Spring Lift Kit Installation: Front

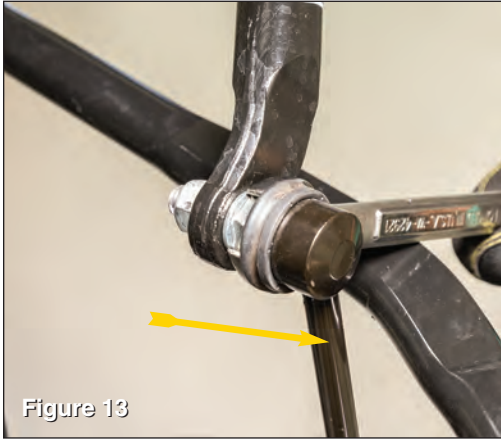


Figure 13

Using a 19mm open end wrench and 18mm socket remove front sway bar end links and discard. Your original equipment rear swaybar endlinks will be used in their place. (see FIG 13)

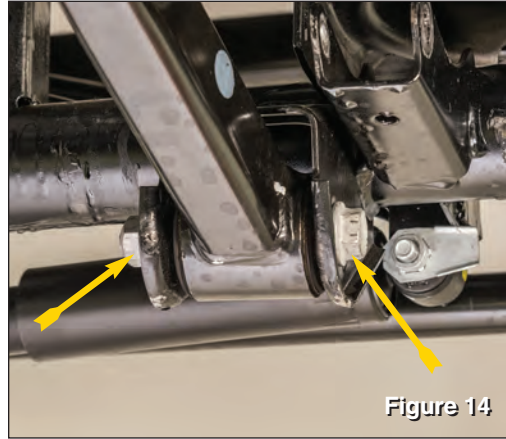


Figure 14

Locate front lower axle housing control arm mounting bolt and remove using a 21mm socket and open end wrench. (see FIG 14)

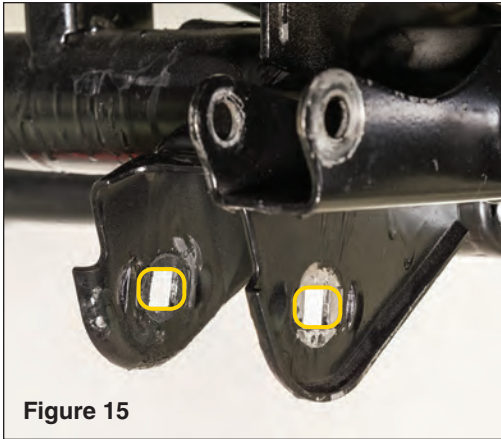


Figure 15

Using a punch and hammer, remove the knock-outs on either side of mounting hole surfaces, transforming each hole into a slot. (see FIG 15)

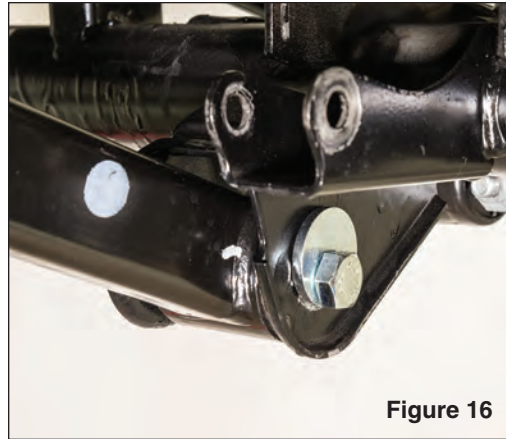


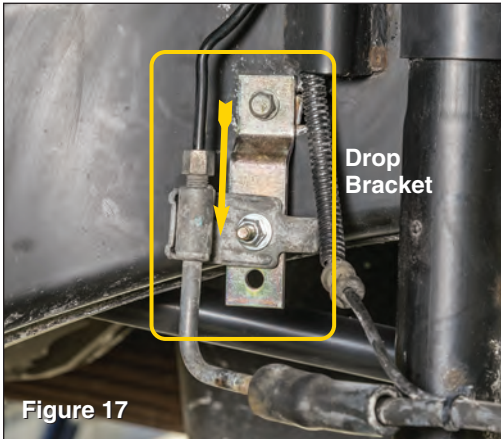
Figure 16

On each side, install new cam bolts and tighten to 125 ft lbs. (see FIG 16).



The Trusted Source

3.5" Coil Spring Lift Kit Installation: Front



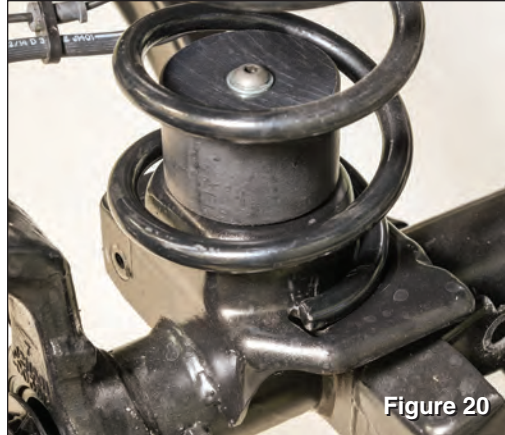
For '07-'10 model years only: Using a 7/16" open end wrench and socket, install brake line drop brackets and separate ABS line from top of brake line using 1/4" fine thread bolts, washers and locknuts as shown. (see FIG 17)



Locate the new front bump stop in the kit. Using the bump stop as a template, mark the center of the bump stop pad located on the front axle. Consider drilling pilot holes. Carefully drill the bump stop pad using a 25/64" drill bit. (see FIG 18)



With axle in drop position, place bump stop in coil springs, and position the new coil springs. (see FIG 19 & 20)



Attach bump stop to axle using the 10mm button head bolts and one washer under the 10mm nut, as shown (see FIG 19 & 20). Perform this on both sides of the vehicle.



The Trusted Source

3.5" Coil Spring Lift Kit Installation: Front

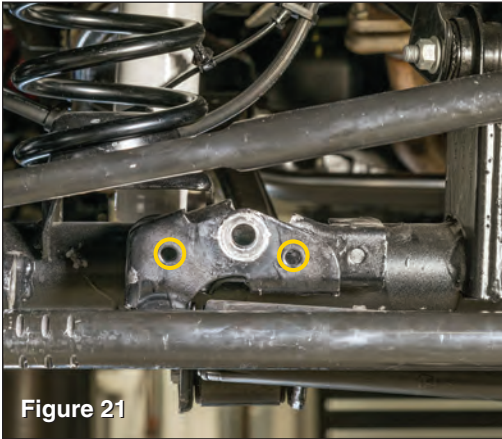


Figure 21

Locate front axle housing track bar mount and drill-out the two outer holes to $\frac{7}{16}$ ". (see FIG 21)

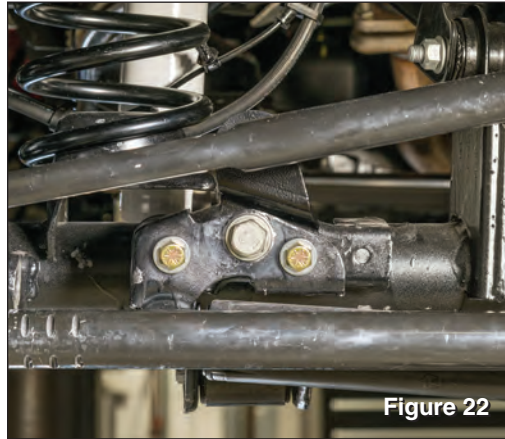


Figure 22

Install front track bar bracket using OEM bolt loosely at this time along with $\frac{7}{16}$ " x $2\frac{1}{2}$ " fine thread bolts, washers and locknuts using $\frac{5}{8}$ " socket and open end wrench. (see FIG 22)



Figure 23a

Assemble your new front shocks as shown in FIG 23a, 23b & 23c. Install the shock boots and secure with zip-ties. Clip off zip-tie tail.

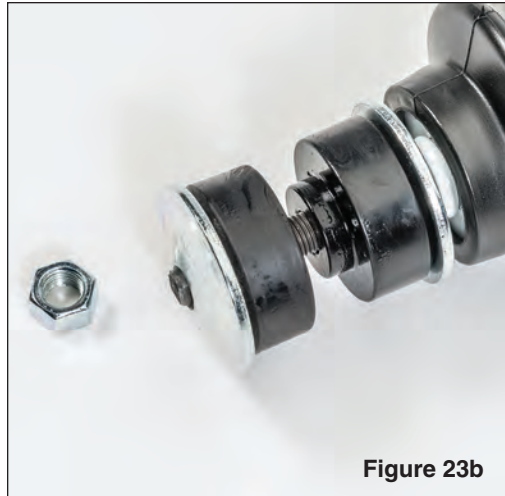


Figure 23b

Assemble the shock top bushings exactly as shown (see FIG 23).



The Trusted Source

3.5" Coil Spring Lift Kit Installation: Front

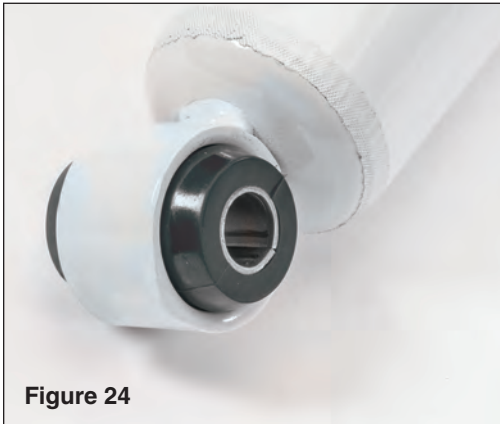


Figure 24

Press in the bottom end bushings as shown (see FIG 24).

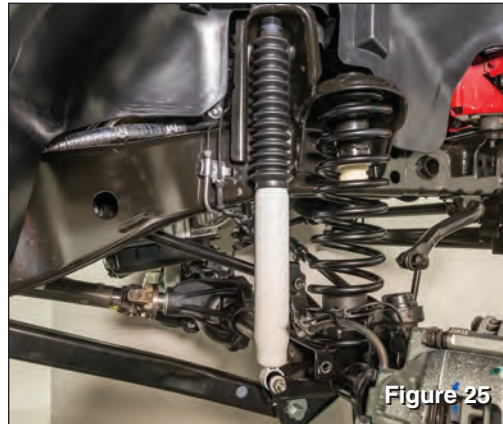


Figure 25

As shown in FIG 25, Install the top end of the new front shocks using a 9/16" open end wrench. Using factory hardware, re-attach bottom end of shock and torque to 56 ft lbs.

Re-attach the driveshaft and torque to 81 ft. lbs. Also re-attach the axle vent line at this time.

Finally, raise the axle using a floor jack so the full weight of vehicle is on the new coil springs.

NOTICE: Your original rear sway bar links will be relocated to the front and will need to be torqued to 60 ft lbs. This can be done with the vehicle on the ground.

Install wheels/tires and torque to 105 ft lbs. Finally, remove jack stands and lower vehicle onto the ground.



Figure 26

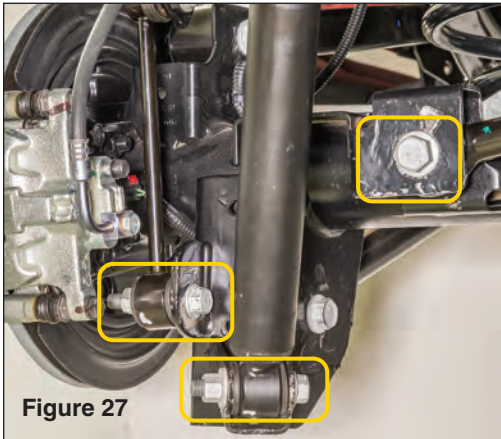
Re-attach track bar using a 7/8" socket and open end wrench with 9/16" x 3" coarse thread bolt, washers and locknut and torque to 111 ft lbs. (see FIG 26)

After you relocate the rear swaybar links to the front, the installation work on the front end of the vehicle will be complete.

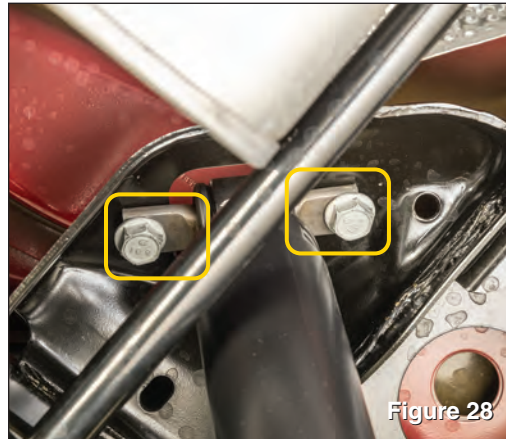


The Trusted Source

3.5" Coil Spring Lift Kit Installation: Rear



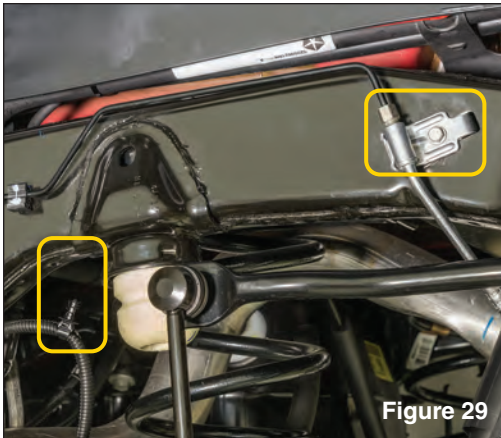
Moving to the rear of the vehicle: Raise rear end and properly support using jack stands. Disconnect the rear track bar bracket from axle using 21mm socket, remove rear lower shock bolts and sway bar end links using a 18mm socket and open end wrench (FIG 27).



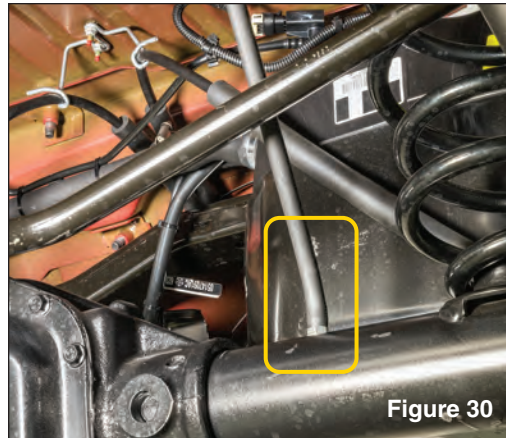
Now disconnect the top end shock bolts shown above using a 16mm socket. (see FIG 28).

⚠ CAUTION ⚠

ALWAYS SUPPORT FRAME RAILS USING JACK STANDS.



Disconnect ABS line from frame and disconnect brake line from frame using a 10mm socket. (see FIG 29)

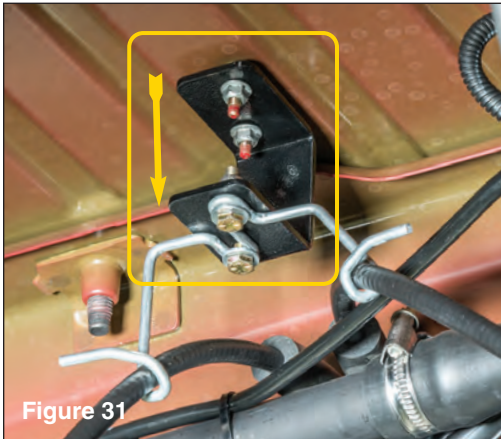


Disconnect axle housing vent line. (see FIG 30)

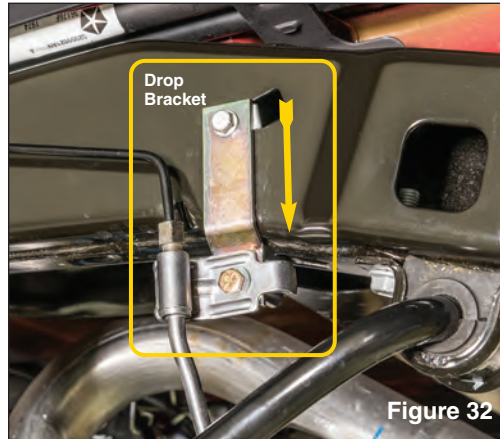


The Trusted Source

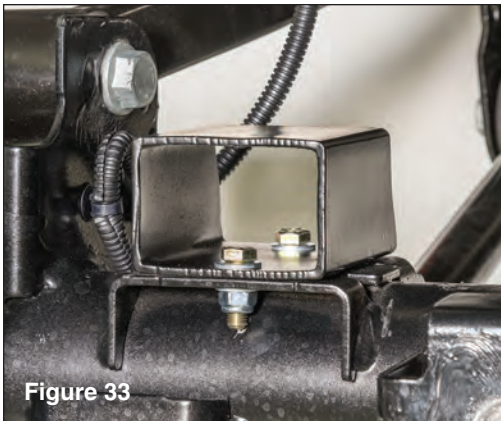
3.5" Coil Spring Lift Kit Installation: Rear



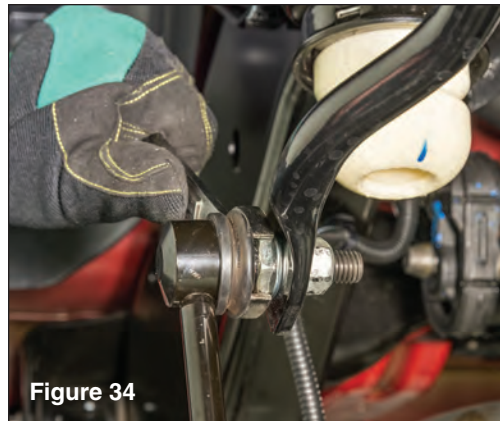
Safely lower the rear axle in order to remove the original rear springs. Install the new coil springs in position. Gently raise axle to hold new springs in place. Remove factory emergency brake cable retainer using a 10mm socket. Install the supplied drop bracket using 1/4" x 1 fine



thread bolts, washers and locknut. (see FIG 31) Install brake line drop brackets using the original bolt to the frame, and the supplied 1/4" fine thread bolts, washers and locknuts as shown with a 7/16" socket and open end wrench. (see FIG 32)



Install new bump stops with 5/16" fine thread bolts, washers and locknuts as shown using 1/2" socket and open end wrench. (see FIG 33)



Using a 19mm open end wrench and 18mm socket remove rear sway bar end links and after rear work is complete, relocate these to the front of vehicle. (see FIG 34 & FIG 1)



The Trusted Source

3.5" Coil Spring Lift Kit Installation: Rear

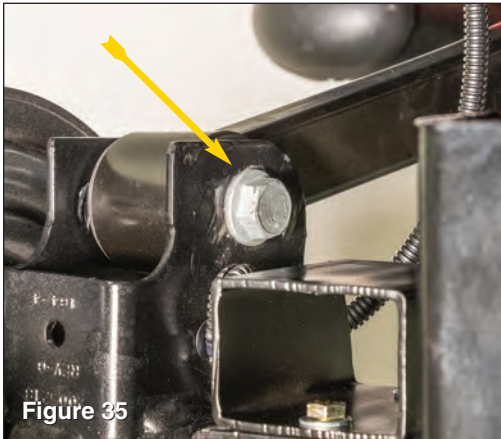


Figure 35
Locate rear upper axle housing control arm mounting bolt and remove using a 21mm socket and open end wrench. (see FIG 35)

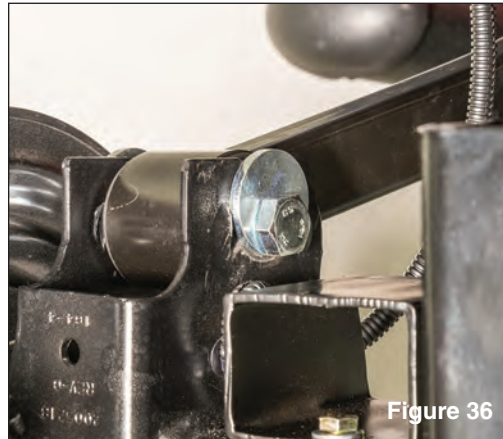


Figure 36
Using a punch and hammer, remove the knock-outs on either side of mounting hole surfaces, transforming each hole into a slot. as performed in FIG 15. Install new cam bolts and tighten to 125 ft lbs. (see FIG 36 & 15)



Figure 37
Place supplied rear track bar bracket over axle housing. Install OEM bolt and crush sleeve, but do not tighten at this time. Carefully drill a hole through the track bar bracket into axle housing bracket as shown using a $15/32$ " drill bit. Consider drilling pilot holes. (see FIG 37)

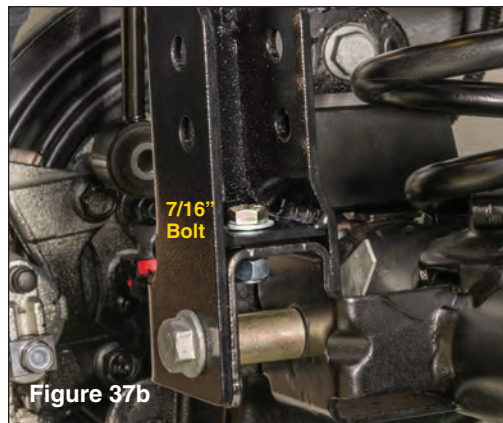
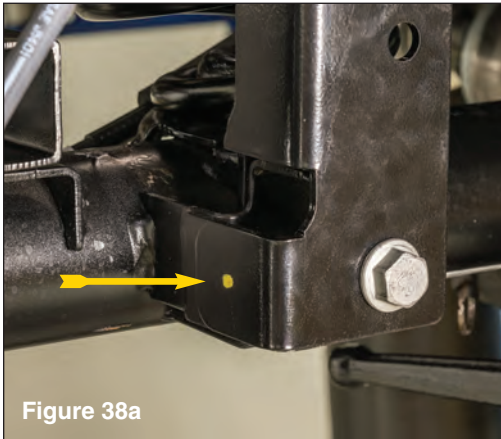


Figure 37b
Install supplied 7/16" fine thread bolt, and washer into the hole you have just drilled. Secure from the underside with the supplied locknut, do not tighten at this time. (see FIG 37b)

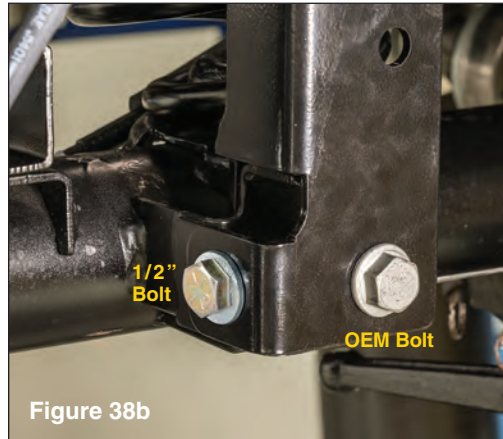


The Trusted Source

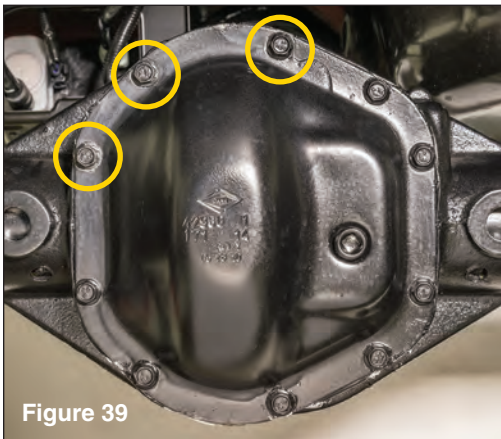
3.5" Coil Spring Lift Kit Installation: Rear



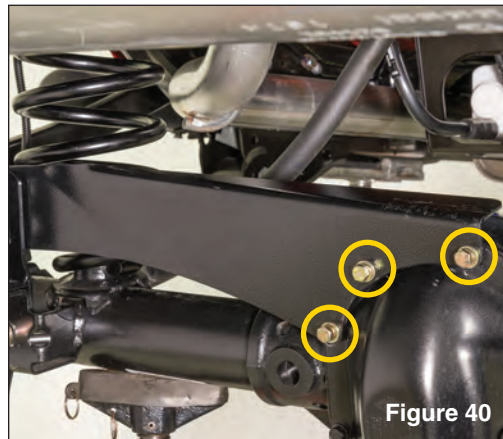
Mark location on the center of the new bracket face with paint marker as shown (see FIG 27). Consider drilling a pilot hole. It will be necessary to carefully drill through the drivers side of the new bracket and the axle housing mount using a $17/32$ " drill bit.



Install supplied $1/2$ " x $1 1/4$ " fine thread bolt, washer and locknut loosely at this time. Tighten OEM track bar bolt followed by the $7/16$ " and $1/2$ " bolts.



Locate the 3 differential cover bolts that will be removed for track bar brace installation. (see FIG 39)



Loosely install brace with supplied $5/16$ " coarse thread bolts, thick washers and lock washers using a $1/2$ " socket. (see FIG 40)



The Trusted Source

3.5" Coil Spring Lift Kit Installation: Rear

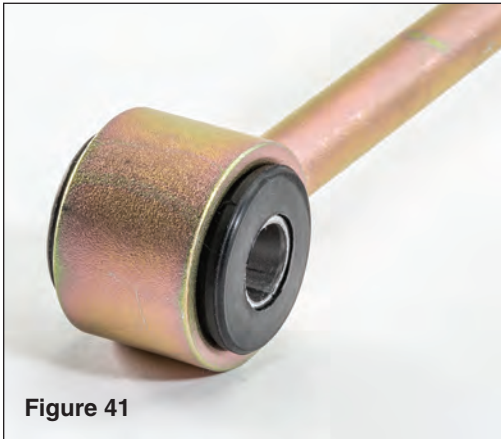


Figure 41

Assemble new rear extended sway bar links using supplied bushings and sleeves. (see FIG 41)

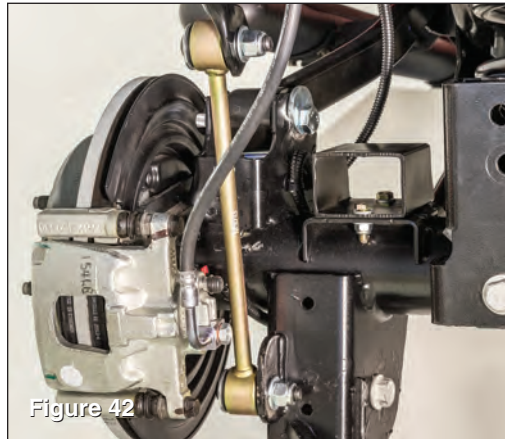


Figure 42

Install new links with supplied 1/2" button head bolts, larger washers under head of bolt, small washers under nut and locknut using a 5/16" allen wrench and 19mm socket. (see FIG 42)



Figure 43

Assemble your new rear shocks as shown in FIG 43, 44 & 45. Install the shock boots and secure with zip-ties. Clip off zip-tie tail. (see FIG 43).



Figure 44

Assemble the shock bottom bushings exactly as shown (see FIG 44).



The Trusted Source

3.5" Coil Spring Lift Kit Installation: Rear

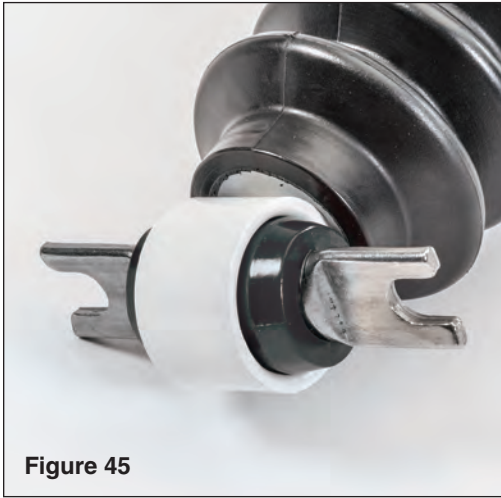


Figure 45

Push the mounting plate with bushing through the top eyelet of the rear shocks (see FIG 45).

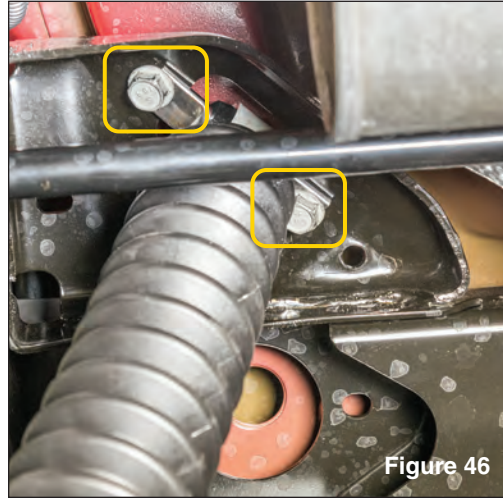


Figure 46

Install the top end of the new rear shocks using a 16mm socket.



Figure 47

Finally, raise the axle using a floor jack so the full weight of vehicle is on the new coil springs.

Using factory hardware, re-attach bottom end of shocks and torque to 56 ft lbs. Install wheels/tires and torque to 105 ft lbs. Finally, remove jack stands and lower vehicle onto the ground.

Re-attach track bar using the included 9/16" x 3" bolt, washer and locknut in upper mounting hole for 3.5" lifts and torque to 111 ft lbs. (see FIG 47)

This completes the installation work on the rear end of the vehicle.



The Trusted Source

3.5" Coil Spring Lift Kit Installation: Rear

⚠ WARNING

COMPLETE INSTALLATION BY CAREFULLY INSPECTING AND CONFIRMING CLEARANCE OF CHOSEN TIRE/WHEELS THROUGH FULL STEERING SWEEP AND SUSPENSION TRAVEL. ASSURE BRAKE LINES CLEAR AND NOT RUBBING AGAINST ANY SURFACE, ABS FITTING AND OTHER FASTENERS SECURED. CHECK SPEEDOMETER READINGS AND IF NECESSARY RECALIBRATE. HAVE ALIGNMENT SETTINGS CHECKED AND IF INDICATED, RE-ALIGN AT SHOP WITH EQUIPMENT SUITED FOR MODIFIED SUSPENSION JEEP VEHICLES.

⚠ WARNING

INSTALL COCKPIT WARNING STICKER ON VISOR OR OTHER LOCATION VISIBLE TO ALL DRIVERS.

⚠ WARNING

FAILURE TO DRIVE THIS VEHICLE SAFELY MAY RESULT IN SERIOUS INJURY OR DAMAGE.
This Jeep® has been modified to enhance its suspension and off-road performance. It may handle differently than as factory-equipped including: increased ride-height; reduced lateral stability; and higher risk of roll-over or other accident. Also, owner's choice of larger tire/wheel combinations may require additional pedal pressure or increased distance to stop; cause speedometer to read slow and may reduce visibility around the vehicle. Choice of tire/wheel combinations other than as tested or recommended may compromise FMVSS 126 compatibility.

Do not drive under any speed or maneuvering conditions which may cause the vehicle to trip, roll, lose traction or compromise your ability to safely brake in an emergency. Quadratec® does not recommend combined use of suspension kits, body lifts, other lifting devices or components altering the intended ride-height or function of its products. Many states have laws restricting the extent of vehicle modifications. Owner/Driver is responsible for modifications consistent with state laws and good sense.

Familiarize yourself with vehicle handling and review all vehicle manufacturers and Quadratec® warnings, instructions and limited warranties before driving this modified suspension Jeep®. Follow recommended maintenance procedures and routinely inspect your vehicle components for unusual wear or off-road damage.

PLEASE DRIVE SAFELY AND ALWAYS FASTEN SEAT BELTS.

Install cockpit warning sticker on visor or other location visible to all drivers and occupants.



The Trusted Source

NEW! Wheels for JK



SATIN BLACK



SILVER FINISH



CLEAR POLISHED



GUN METAL GRAY

Quadratec® Baja Xtreme™ Wheels

- > Classic styling with a cool & modern update
- > 8 oversized speed holes w/ deep Lug pockets
- > Custom Hub Style ABS Q Logo center caps
- > Aluminum castings with CNC machined surfaces
- > Easy to keep clean with no hidden nooks & crannies
- > Quadratec Warranty: Lifetime Structural/1 Year Finish
- > 4 great finishes: Silver, Satin Black, Gun Metal Gray, Polished

17" x 8" for '07-'15 Wrangler #92615.22XX...from **\$139.99** each
each sold individually



SATIN BLACK



SILVER FINISH



GUN METAL GRAY

Quadratec® Rubicon Xtreme™ Wheels

- > Classic 5-Spoke Pattern in 17" x 9"
- > 4.75" back-spacing w/ deep Lug pockets
- > Accepts genuine Mopar center caps (sold separately)
- > Aluminum castings with CNC machined surfaces
- > Easy to keep clean with no hidden nooks & crannies
- > Quadratec Warranty: Lifetime Structural/1 Year Finish
- > 3 great finishes: Silver, Satin Black, Gun Metal Gray

17" x 9" for '07-'15 Wrangler #92615.23XX...from **\$149.99** each
each sold individually



SATIN BLACK



SILVER FINISH



MACHINE FACED



GUN METAL GRAY

Quadratec® Moab Style Wheels

- > 5 Spoke with classic, clean and strong looks
- > Totally transform the look of your Wrangler!
- > Custom Color matched snap-in center caps
- > Aluminum castings with CNC machined surfaces
- > Easy to keep clean with no hidden nooks & crannies
- > Quadratec Warranty: Lifetime Structural/1 Year Finish
- > 4 great finishes: Satin Black, Silver, Machine Faced & Gun Metal Gray

17" x 8.5" for '07-'15 Wrangler #92615.21XX...from **\$129.99** each
each sold individually



***FREE SHIPPING!**



NEW! From **Quadratec**[®]

Essentials[®]

THE RECEIVER HITCH REDEFINED!

VERSAHITCH™



**CLASS II
RECEIVER
PLUS** **DUAL
ULTRA
STABLE
ACCESSORY
RECEIVERS**

ALL NEW! VersaHitch™ for '07-'15 JK Wrangler

- > Full function 2" Class II Receiver Hitch
- > Patented Dual 1.5" Accessory Receiver Tubes
- > Designed & engineered for Custom Accessories
- > Made to provide the ULTIMATE in cargo stability
- > 3500 lb Tow Rating (for 4 door Wrangler)
- > Easy no-drill installation with simple instructions
- > Plug & Play Wiring Harness (Sold Separately)
- > Quadratec Limited 3 Year Limited Warranty

VersaHitch for '07-'15 Wrangler #12015.1002 ... **\$119.99**

Plug-n-Play Hitch wiring for '07-'15 JK #92015.8001 ... **\$24.99**

Jeep® Logo Hitch Plug #12019.700 ... **\$14.99**

Please Note: VersaHitch is NOT compatible with '13-'15 Rubicon models with factory modular STEEL bumpers.

**SPECIAL KIT
INCLUDES:**



VersaHitch, plug-n-play hitch wiring & hitch plug.



SAVE \$20.00 with our **QuadraPac VersaHitch**
Kit for '07-'15 Wrangler #12015.1012 ... **\$139.97**



NEW! VersaHitch™ Bike Rack

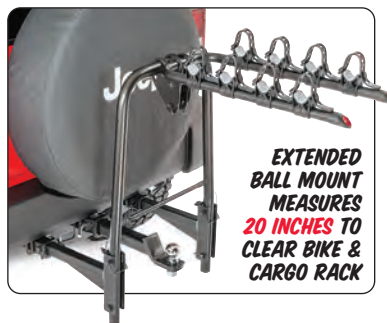
- > Optimized for Wrangler, offers unprecedented rigidity and stability
- > Haul your bikes using the two VersaHitch 1.5" receiver ports
- > Dual arms virtually eliminate lurching and wobble of loaded rack
- > Even with bike rack installed you can still tow with 2" receiver*
- > Soft rubber cradles, hold downs and pedal straps are bike-friendly
- > Unloaded rack folds to allow tailgate access
- > Holds up to 4 bikes, up to 140 lbs total
- > Quadratec Limited 3 Year Limited Warranty

VersaHitch Bike Rack #92034.3000... **\$199.99**

Optional Y-Frame Adapter #92034.1010... **\$24.99**

*VersaHitch Extended Ball Mount Kit #92018.0002... **\$24.99**

Required for towing with Bike Rack Installed



**EXTENDED
BALL MOUNT
MEASURES
20 INCHES TO
CLEAR BIKE &
CARGO RACK**

**CARRY UP
TO 4 BIKES!**



**DUAL ULTRA
STABLE RECEIVERS:
THE ULTIMATE
IN STABILITY!**

**QUADRATEC
EXCLUSIVE**



**VERSAHITCH
CARGO RACK
CARRIES UP
TO 300 LBS!**

**20" X 48"
CARGO FLOOR**



NEW! VersaHitch™ Cargo Rack

- > Unprecedented rigidity and stability with two arms instead of one
- > Dual arms virtually eliminates loaded cargo rack wobble
- > Even with cargo rack installed (folded) you can still tow with 2" receiver*
- > Can be folded forward (empty) to open tailgate or for towing.
- > Aluminum & steel construction offers excellent strength

VersaHitch Cargo Rack #12033.3000... **\$249.99**

*VersaHitch Extended Ball Mount Kit #92018.0002... **\$24.99**

Required for towing with folded Cargo Rack Installed

**DUAL ULTRA STABLE RECEIVERS
ON ALL VERSAHITCH ACCESSORIES
PROVIDE THE ULTIMATE IN STABILITY!**



On Orders \$75 & Over*

*Free Shipping program details & restrictions available online @ www.Quadratec.com

Call Free! Offers valid until 12-31-2015. Copyright 2015 Quadratec, Inc.

800-745-5337

Mon - Thurs 8AM - 12AM, Fri 8AM - 9PM & Sat 9AM - 5PM EST

24 Hour ordering @ quadratec.com

CODE QJLIFT3



25 Years

The terms Quadratec, QuadraTop and Essentials are Registered Trademarks of Quadratec Incorporated. Registered at U.S. Patent and Trademark Office. Quadratec, Inc., an independent supplier of accessories for sport utility vehicles, has no affiliation with Fiat Chrysler Automobiles (FCA), Jeep, Wrangler, Cherokee, and the Jeep Grille Design are registered trademarks of FCA and are used for identification purposes only. *Free Shipping program details & restrictions available online @ www.Quadratec.com

Quadratec® Exclusive Limited Lifetime Warranty

Your Quadratec® branded accessories are covered by the following **Limited Warranty** provided exclusively by Quadratec, Inc., 1028 Saunders Lane, West Chester PA 19380.

This Limited Warranty is the only warranty made in connection with your purchase. Quadratec neither assumes nor authorizes any vendor, retailer or other person or entity to assume for it any other obligation or liability in connection with this product or Limited Warranty. This Limited Warranty does not apply and is not cumulative to any accessory or part distributed by Quadratec for which the Manufacturer provides a separate written warranty.

What is Covered: Subject to the terms, exclusions and limitations herein and with respect only to Quadratec branded accessories first sold in the United States, Quadratec warrants to the initial retail purchaser only that your Quadratec accessory shall be free of defects in material and workmanship: **for as long as the original purchaser owns the vehicle. The Warranty on bushings and other serviceable wear items (including shock absorbers) is limited to 1 year from date of retail purchase.** This Limited Warranty is not assignable and shall terminate upon sale of the vehicle upon which the Quadratec accessory is installed or other transfer third persons.

All other warranties are hereby disclaimed, except to the extent prohibited by applicable law in which case any implied warranty of merchantability or fitness for a particular purpose on this limited to **for as long as the original purchaser owns the vehicle.** Quadratec reserves the rights to: (a.) require invoice or other proof your accessory is within the terms of this Limited Warranty as a condition of warranty service and, (b.) make future revisions to this product and Limited Warranty without prior notice or obligation to upgrade your product.

What is Not Covered:

Your Quadratec Limited Warranty does not cover products or parts Quadratec determines to have been damaged by or subjected to: (a.) installation damage, alteration, modification, combination with other parts, failure to maintain or improper repair or service, (b.) defects or use which pre-dates installation of Quadratec® accessory

or suspension kit by authorized dealer or shop, (c.) normal wear & tear or gradual reduction in expected performance of vehicle or components, (d.) emissions control or electronic stability systems or components, (e.) cosmetic damage or damage from moisture or water immersion, (f.) fleet, rental or commercial use, (g.) Acts of God, accidents, misuse, negligence, inadequate mounting or impact with vehicle(s), obstacles or other aspects of the environment, (h.) theft, vandalism or other intentional damage. (i.) use in competition or racing.

Other Exclusions: Surface finish of exposed suspension components is not covered under this Limited Warranty.

Remedy Limited to Repair/Replacement:

The exclusive remedy provided hereunder shall, upon Quadratec inspection and at Quadratec's option, be either repair or replacement of product or parts (new or refurbished) covered under this Limited Warranty. Customers requesting warranty consideration should first contact Quadratec to obtain a RGA number (610-701-3336). All labor, removal, shipping and installation costs are customer's responsibility.

Other Limitations - Exclusion of Damages - Your Rights Under State Law:

In consideration of the purchase price paid, neither Quadratec nor any independent Quadratec distributor/licensee are responsible for any time loss, rental costs, or for any incidental, consequential, punitive or other damages you may have or incur in connection with any part or product purchased. Your exclusive remedy hereunder for covered parts is repair/replacement as described above.

This Limited Warranty gives you specific rights. You may also have other rights that vary from state to state. For example, some states do not allow limitations of how long an implied warranty lasts and /or do not allow the exclusion or limitation of incidental or consequential damages, so the limitations and exclusions herein may not apply to you.

©Quadratec, Inc. 2015. All Rights Reserved.
2.27.15 LTR Version Part #12999.9033



The Trusted Source