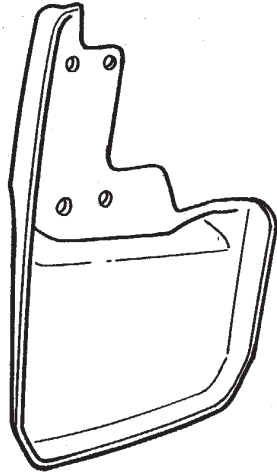




# JEEP WRANGLER

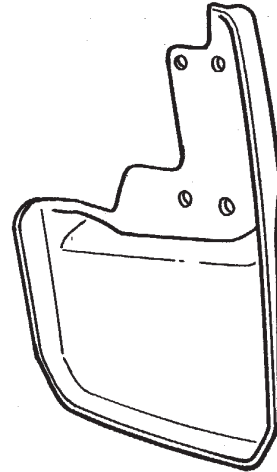
## Rear Splashguard

Rear Right



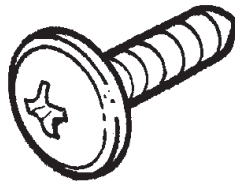
**A**

Rear Left



**B**

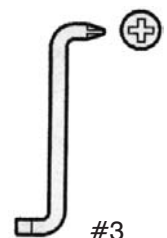
**C** 10X



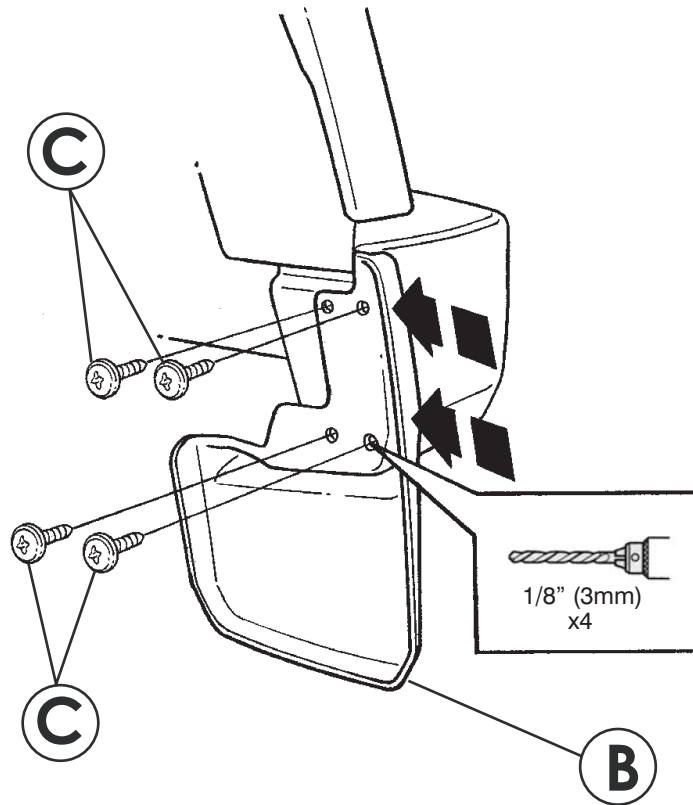
1/8" (3mm)



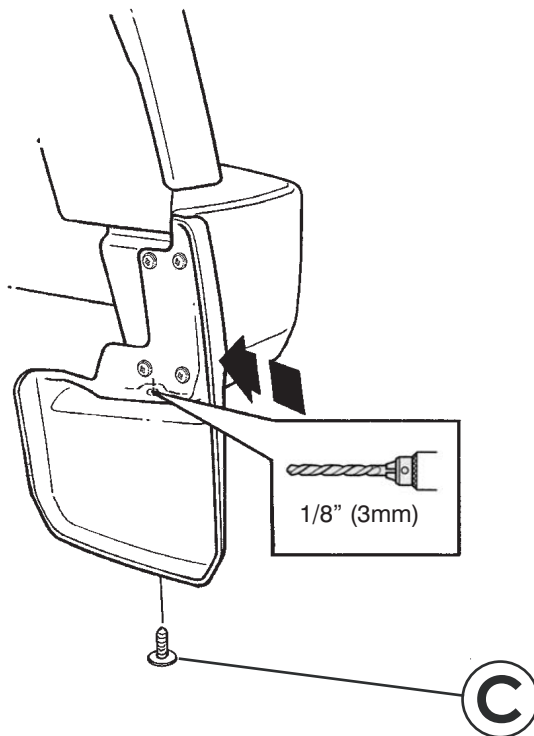
#3



#3



**1**



**2**