



INSTALLATION INSTRUCTIONS

JEEP JK EXPEDITION PARTITION #162

This product will only mount to Tuffy part# 140.

Please read and fill out the enclosed warranty registration card to activate your warranty.

PARTS LIST



#4 Partition assembly



#9 Driver side mount



#3 Passenger side mount

SHIPPING PACKAGE CONTENTS



#7.3 (2) 5/16-18 Knob screw



#8.1 (6) 1/4-20 x 1" Bolt



#8.3 (6) 1/4-20 Nut



#8.2 (12) 1/4" Washer

TOOLS REQUIRED

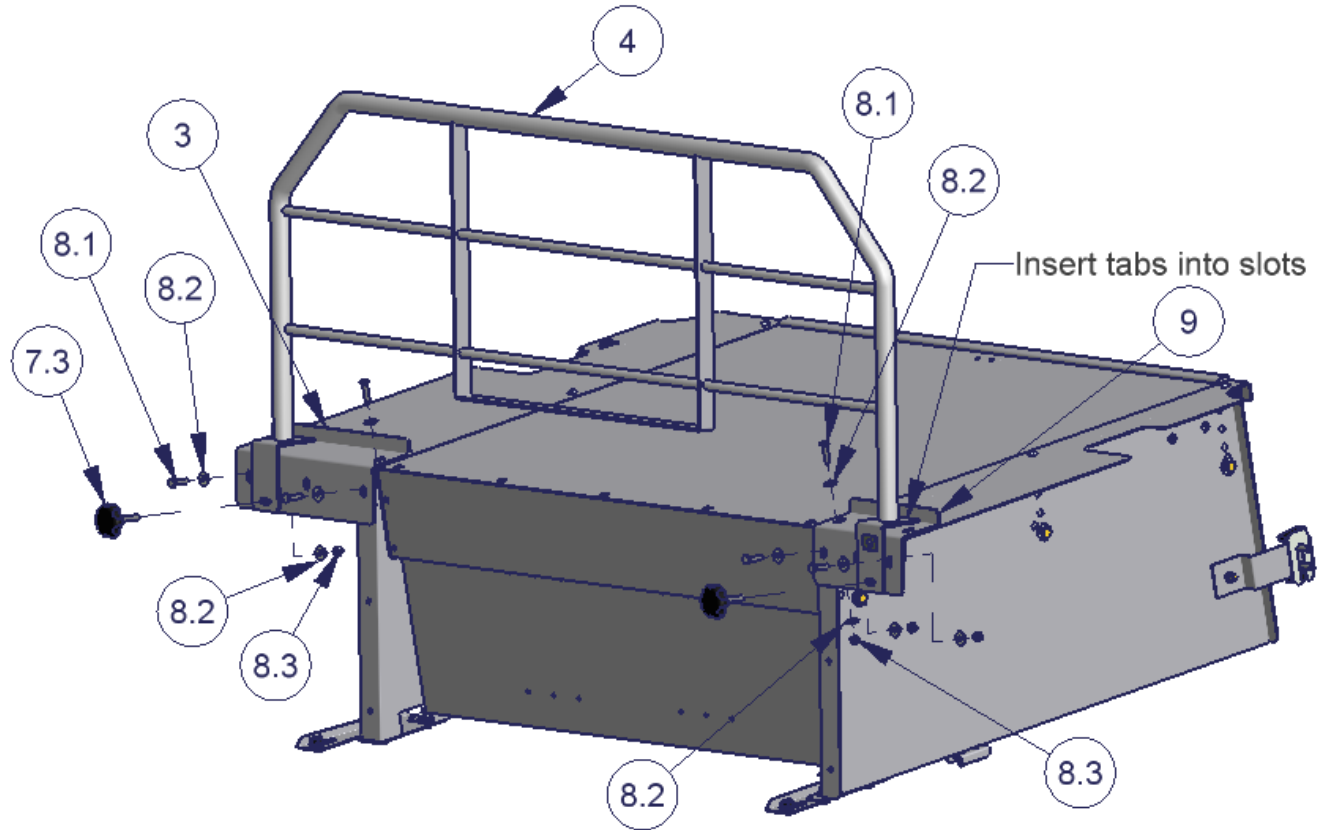
- (1) 7/16" socket and ratchet
- (1) 7/16" wrench
- (1) Phillips screwdriver

PLEASE READ ALL INSTRUCTIONS THOROUGHLY BEFORE STARTING INSTALLATION.

WARNING! This product is designed for organization or pet barrier uses only and is not intended to prevent loose cargo from causing injury or damage in the event of an accident, shifting loads or change in speed. Loose cargo must always be secured to the vehicle.

1. Remove screws on the Tuffy drawer part #140 where the new brackets will be fastened. (See Figure 1)
2. Install the #3 passenger and #9 driver side mounts using #8.1 screws, #8.2 washers and #8.3 nuts as illustrated. (See Figure 1)
3. Install the #4 Partition assembly in the #3 and #9 mounts by rotating the entire assembly down so the tabs slide into the slots on both mounts until seated then rotate the assembly up and install both #7.3 Knob screws. Applying tension to the #4 partition assembly to align holes will make inserting the #7.3 Knob screws easier. The first time the #7.3 Knob screws are inserted they will be tight but will rotate more smoothly after a few times.

FIGURE 1



Call (970) 564-1762 for Technical Support