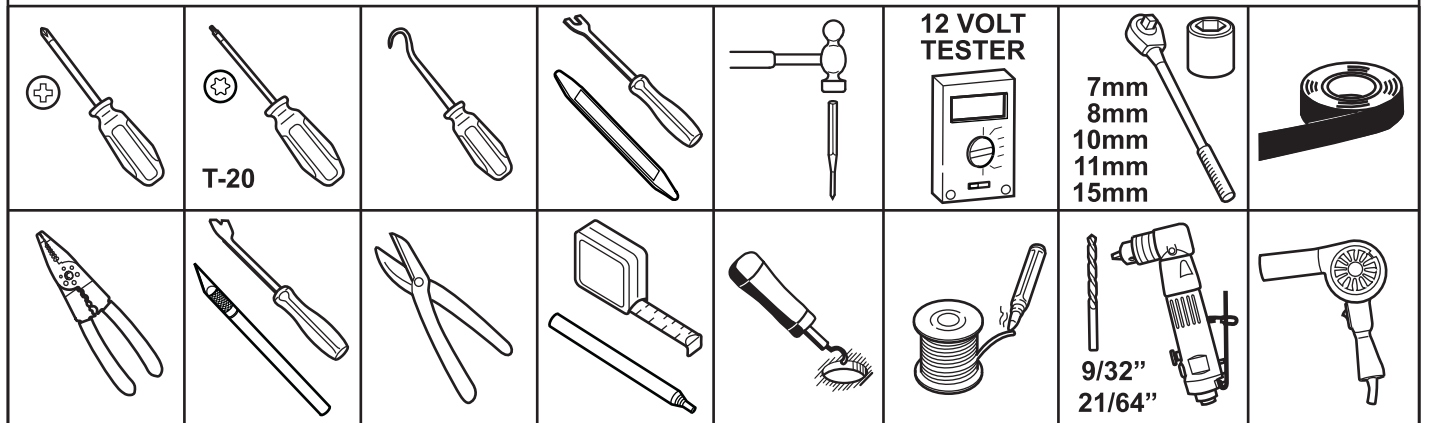
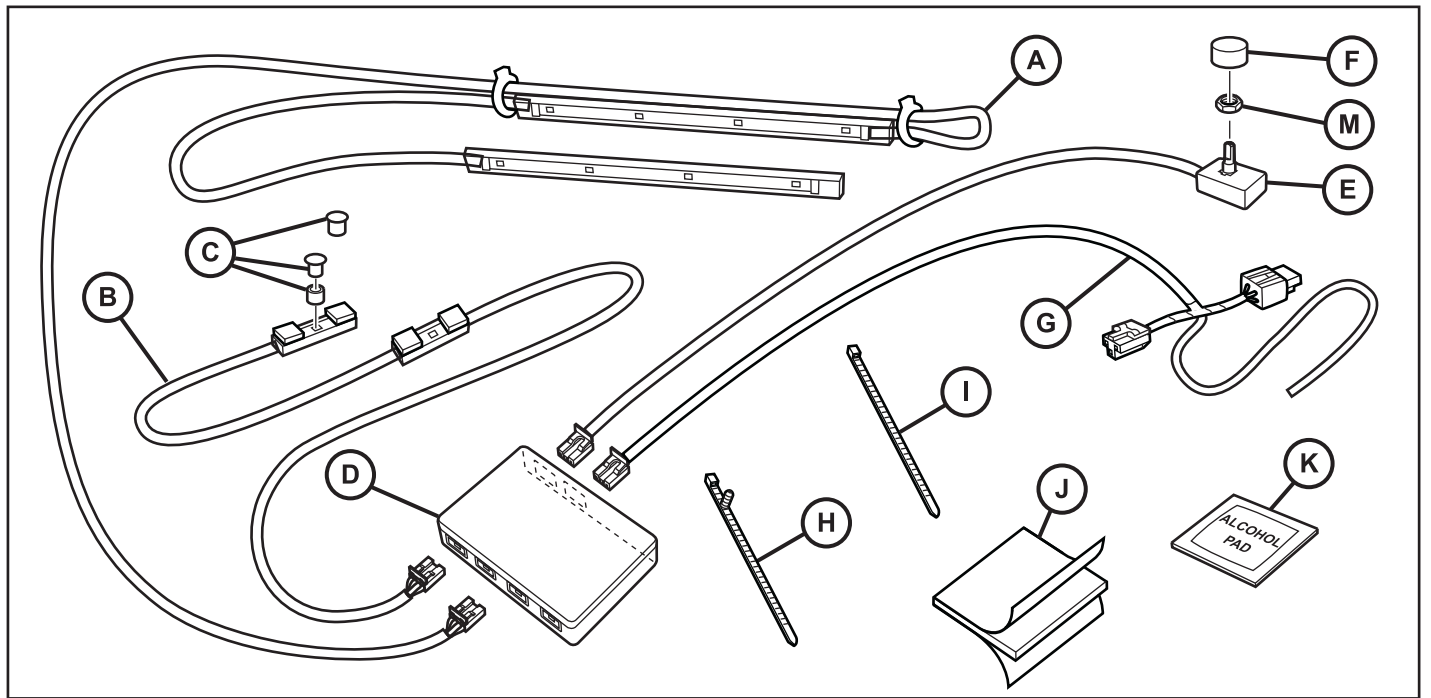




Ambient Lighting Kit

Click on desired vehicle to take you directly to the vehicle specific instructions



CHRYSLER

DODGE

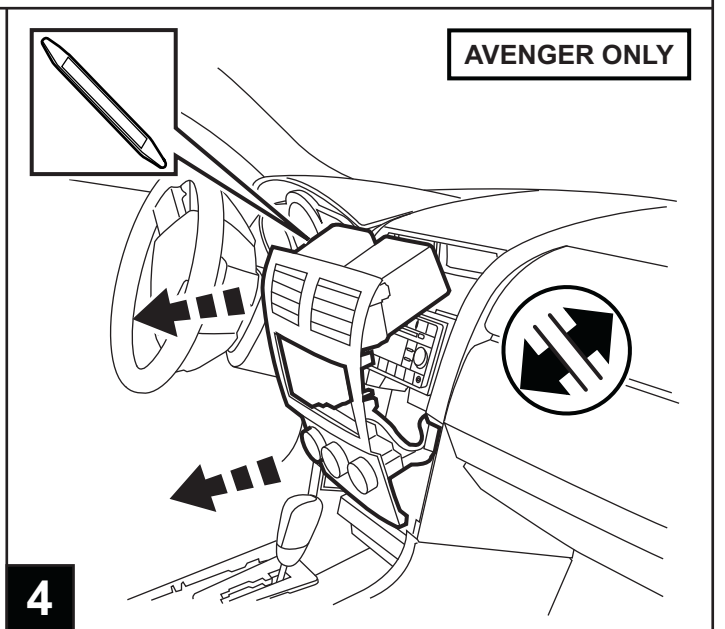
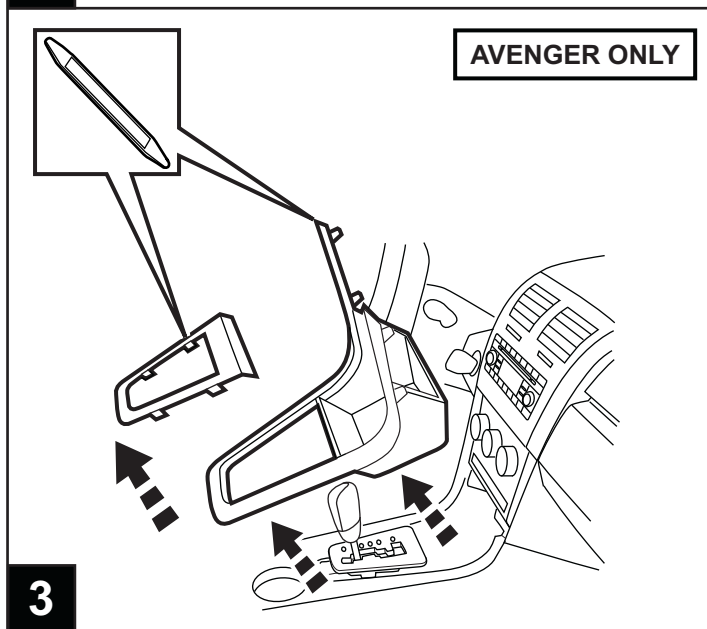
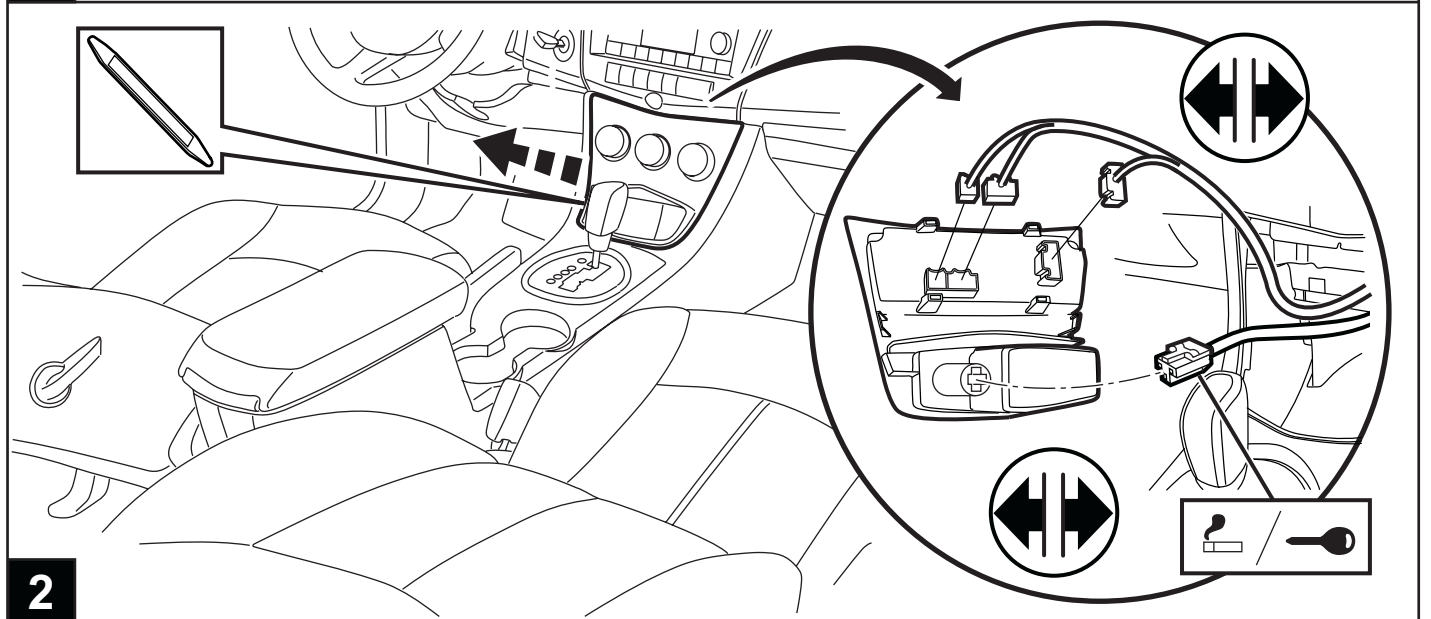
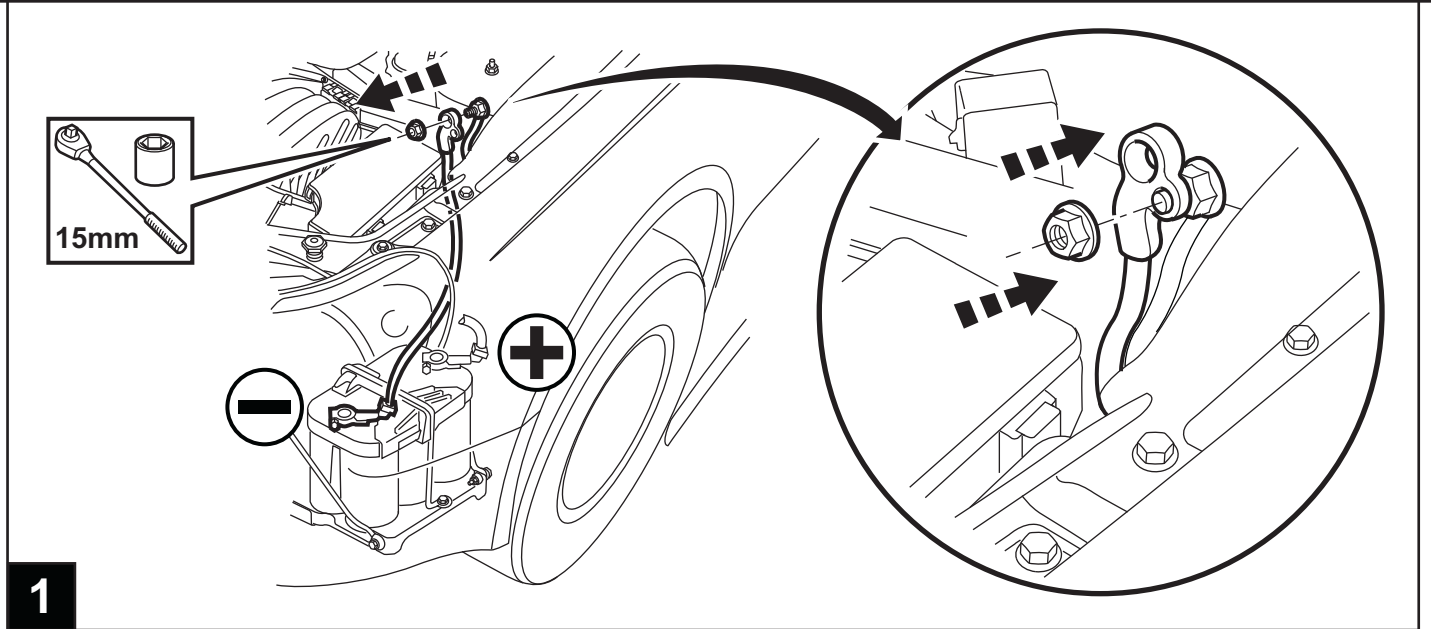
Chrysler Sebring	2 - 11
Town & Country	36 - 41
Chrysler 300	52 - 59

Dodge Avenger	2 - 11
Dodge Caliber	29 - 35
Dodge Caravan	36 - 41
Dodge Nitro	42 - 51
Dodge Charger	52 - 59
Dodge Ram	60 - 68

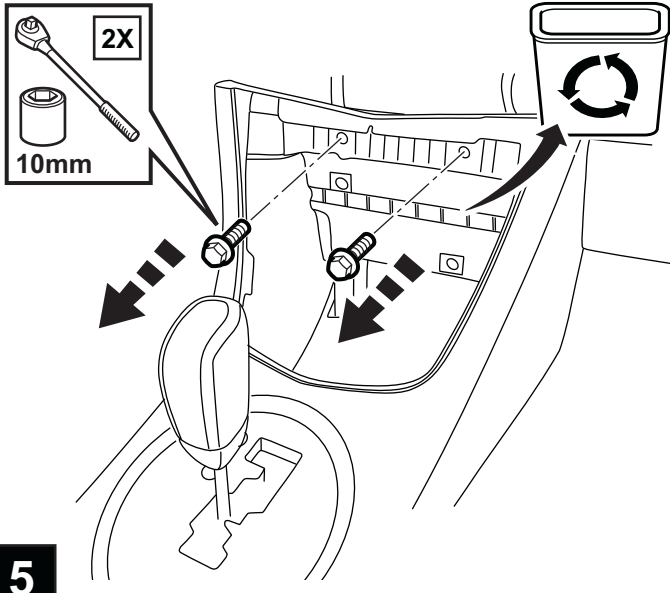
JEEP

Jeep Liberty.....	12 - 21
Jeep Patriot.....	22 - 28
Jeep Wrangler.....	69 - 74
Jeep Grand Cherokee.....	75 - 82

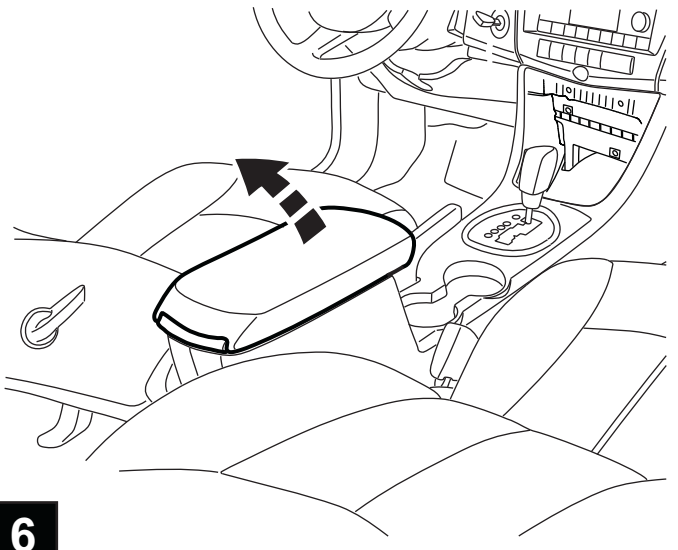
CHRYSLER SEBRING/ AVENGER



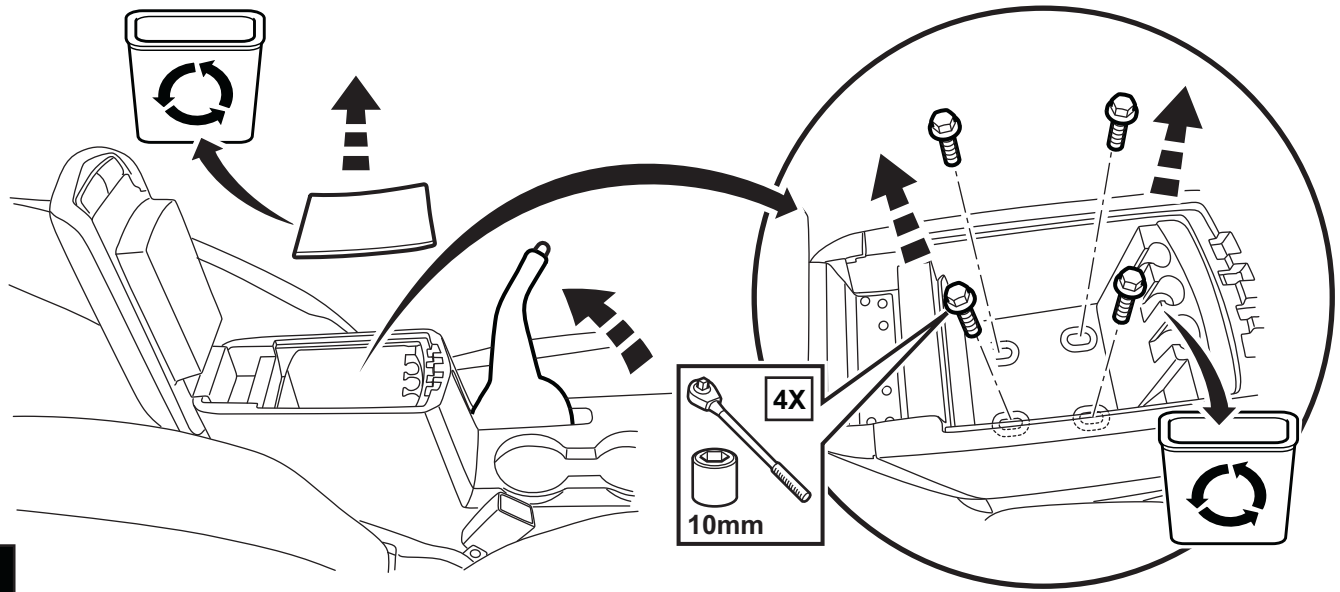
CHRYSLER SEBRING/ AVENGER



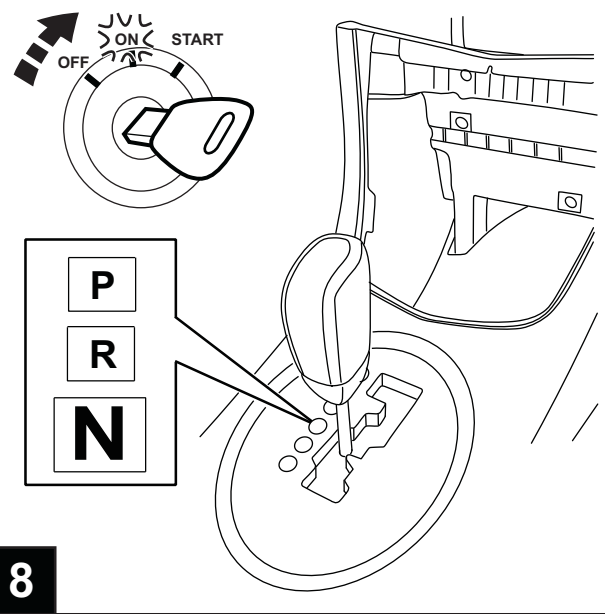
5



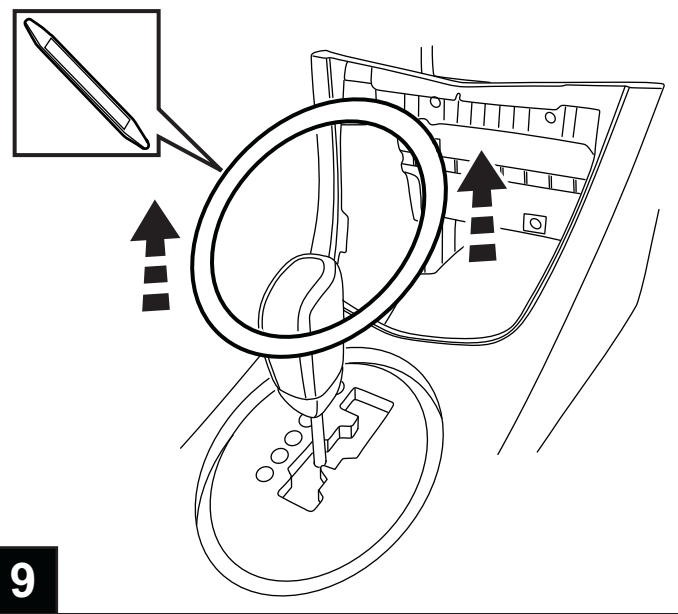
6



7

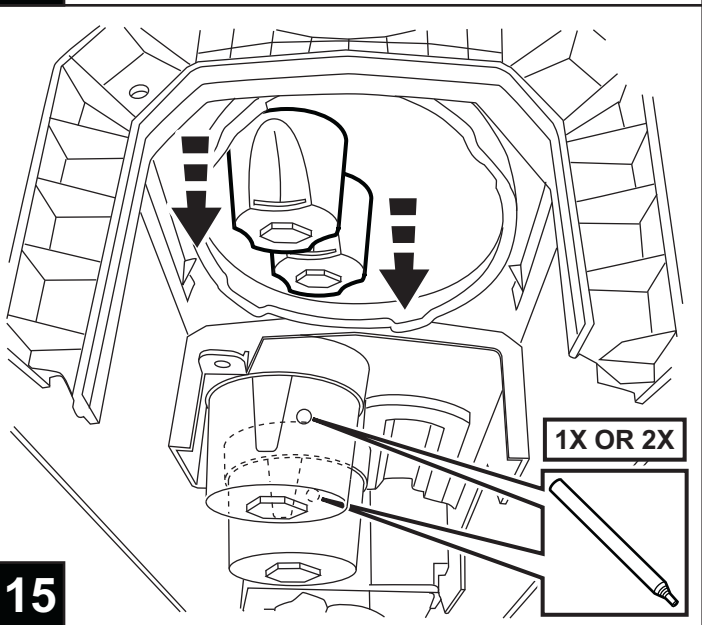
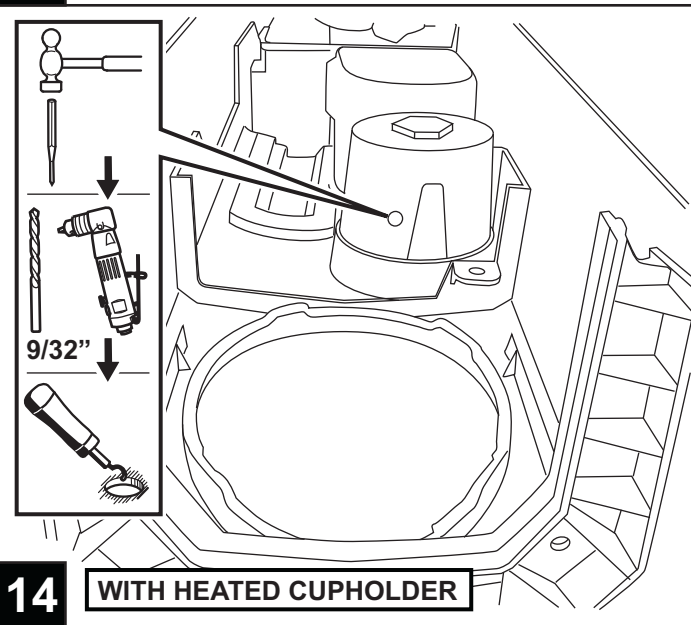
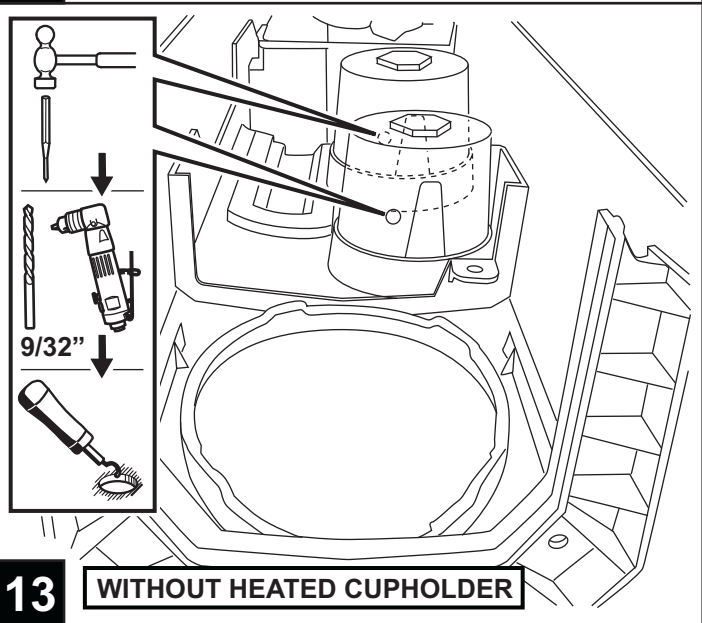
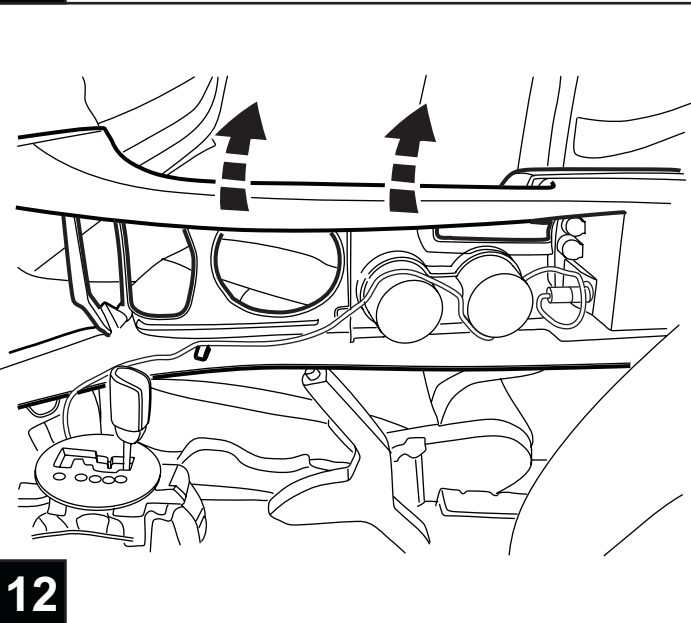
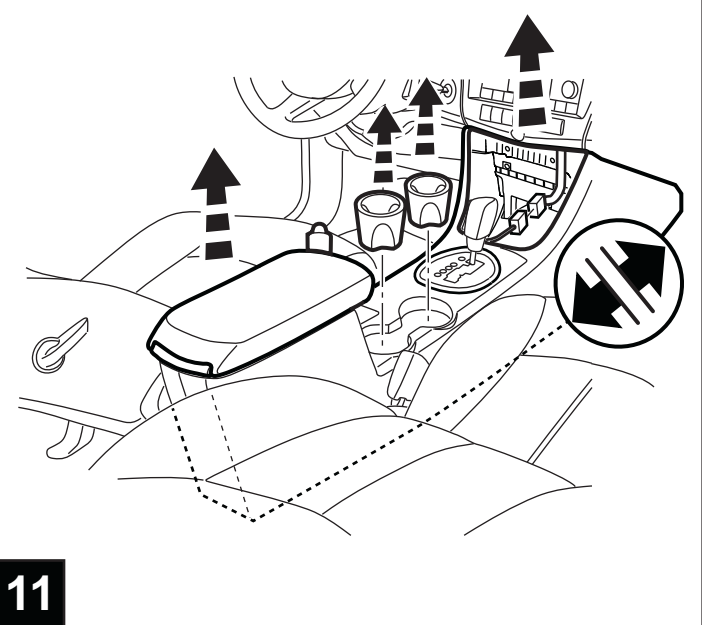
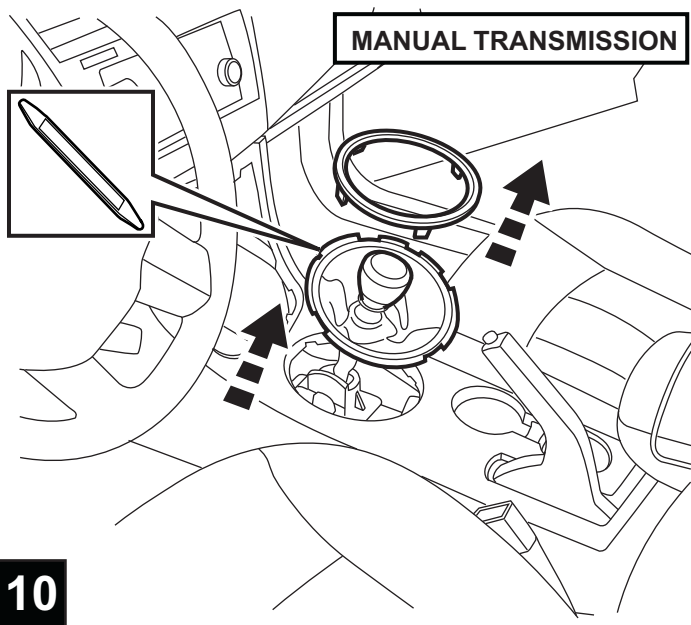


8

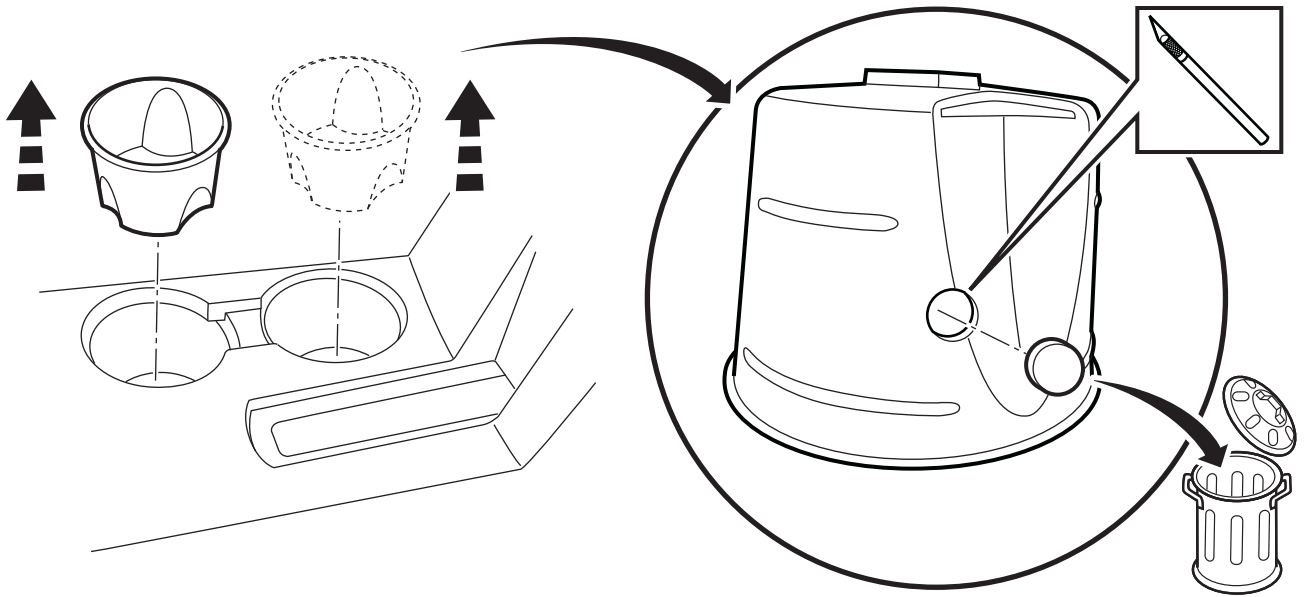


9

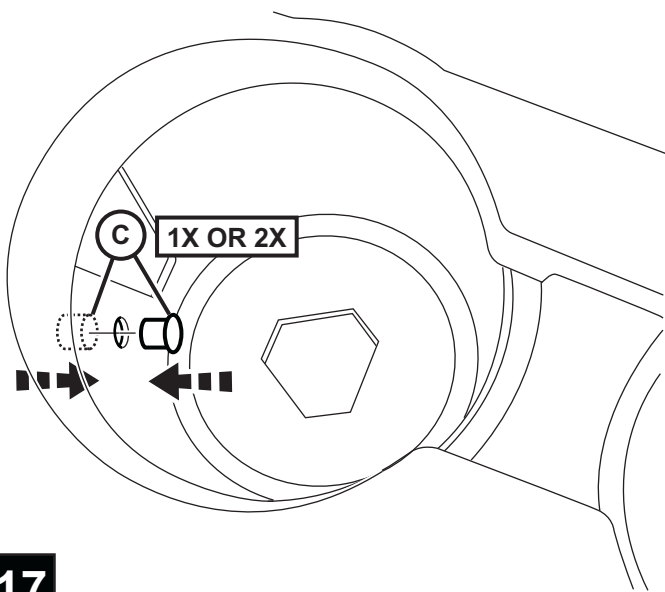
CHRYSLER SEBRING/ AVENGER



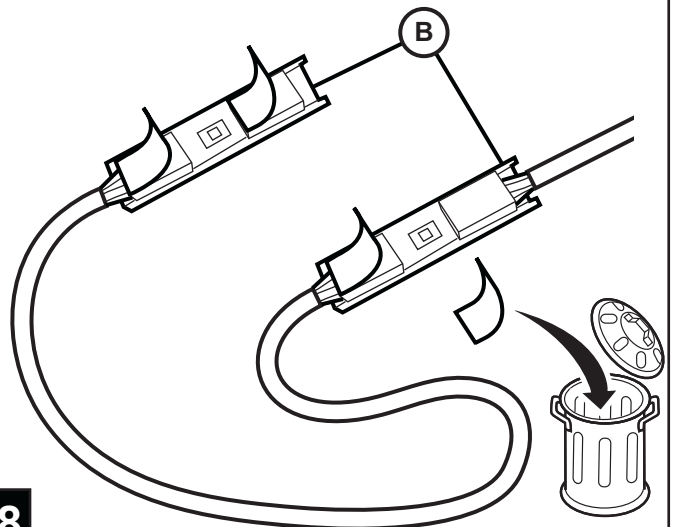
CHRYSLER SEBRING/ AVENGER



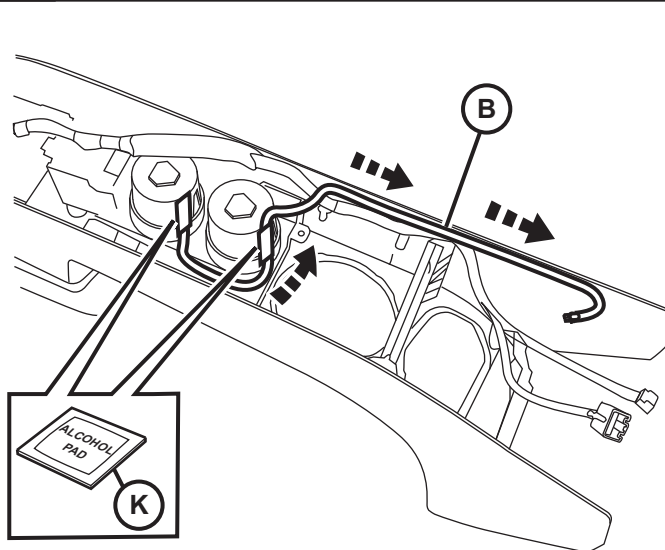
16



17

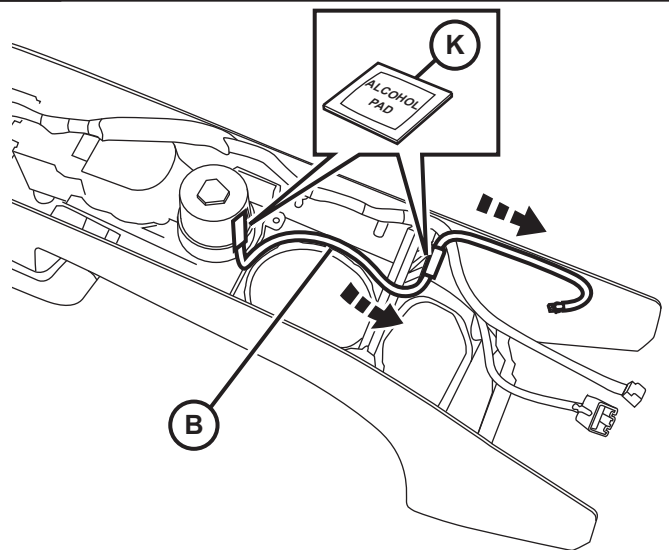


18



19

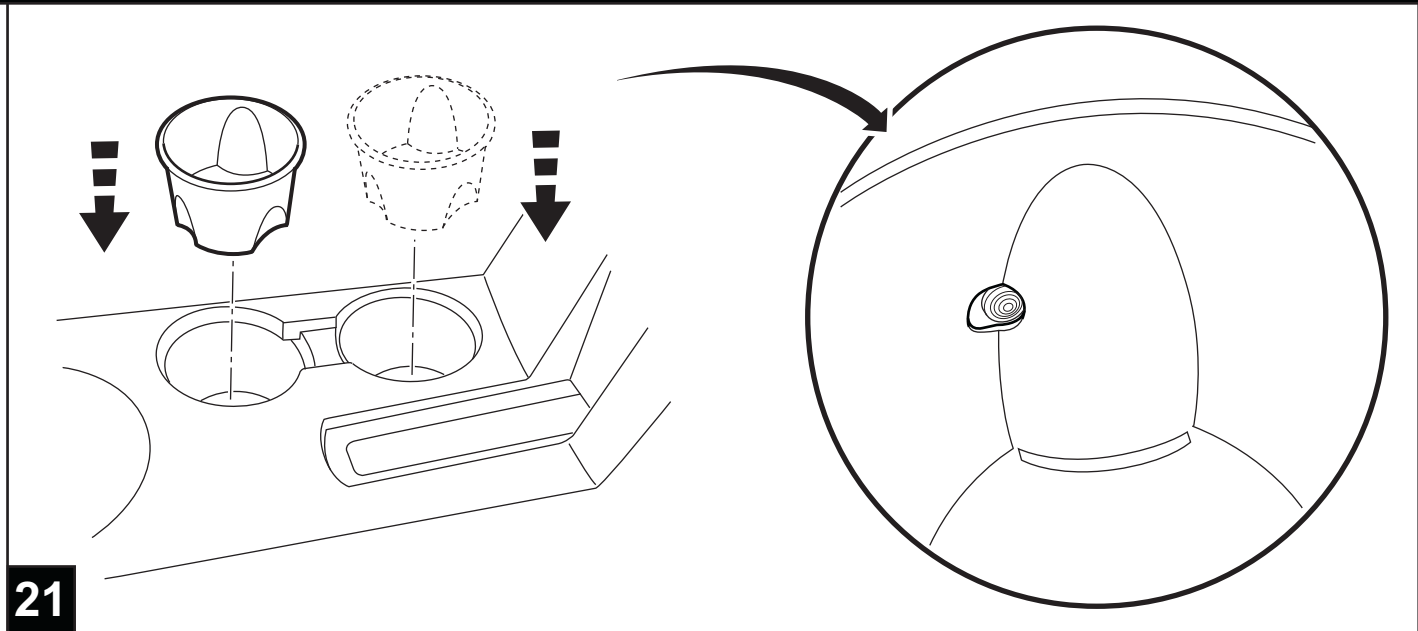
WITHOUT HEATED CUPHOLDER



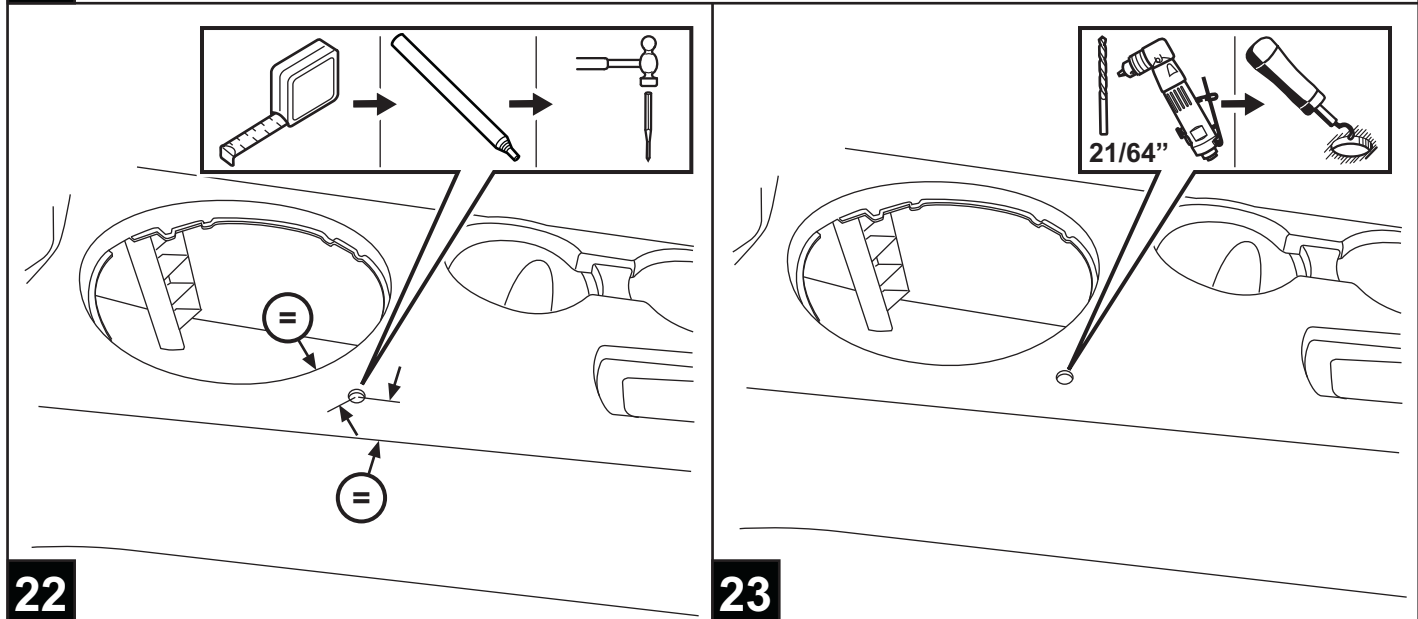
20

WITH HEATED CUPHOLDER

CHRYSLER SEBRING/ AVENGER

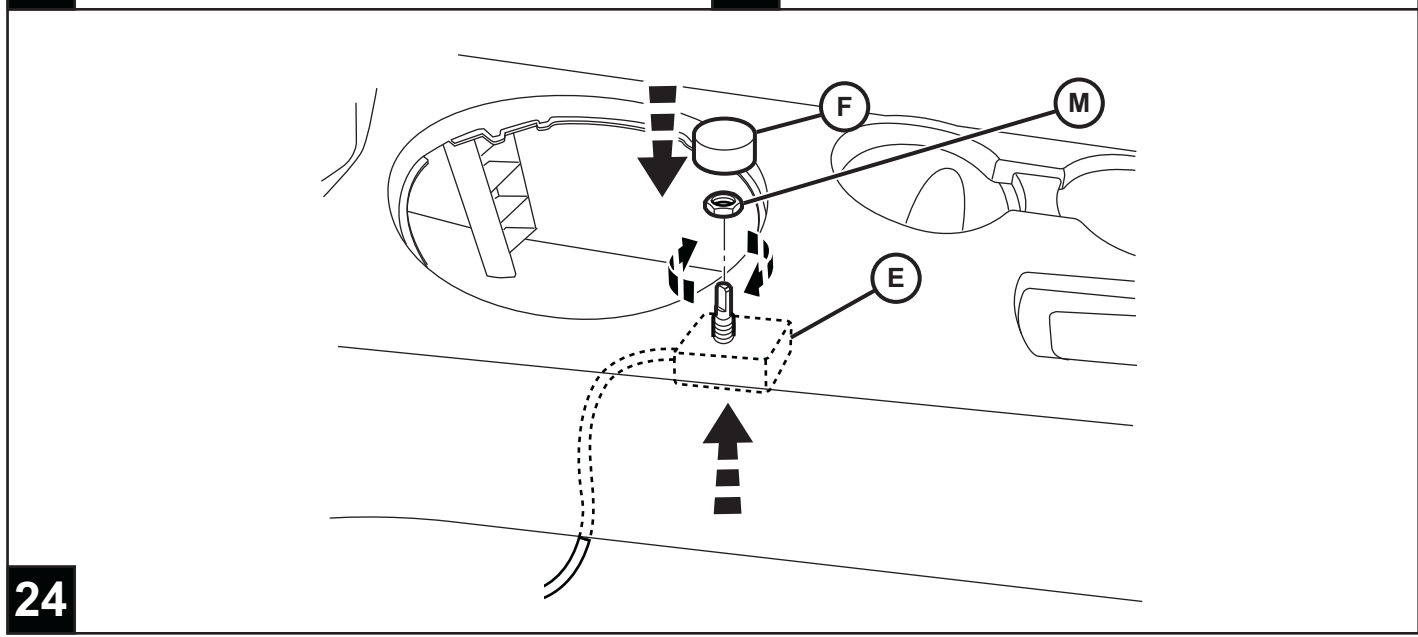


21

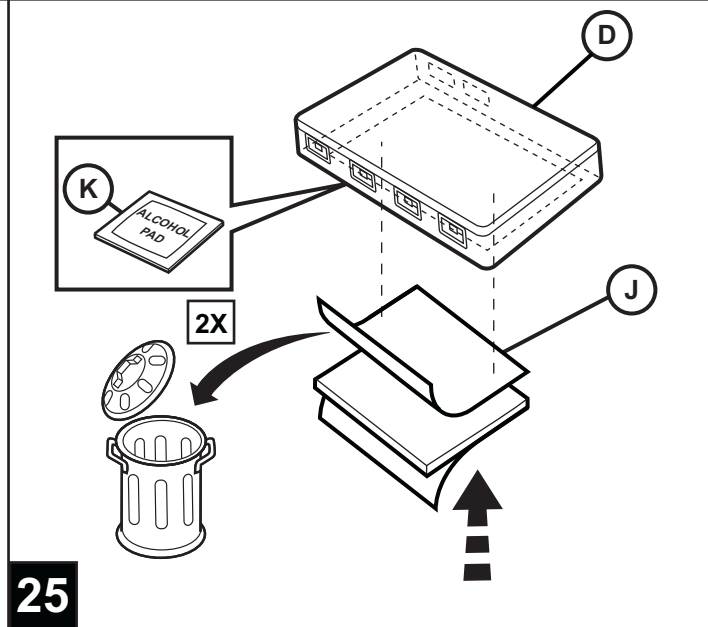


22

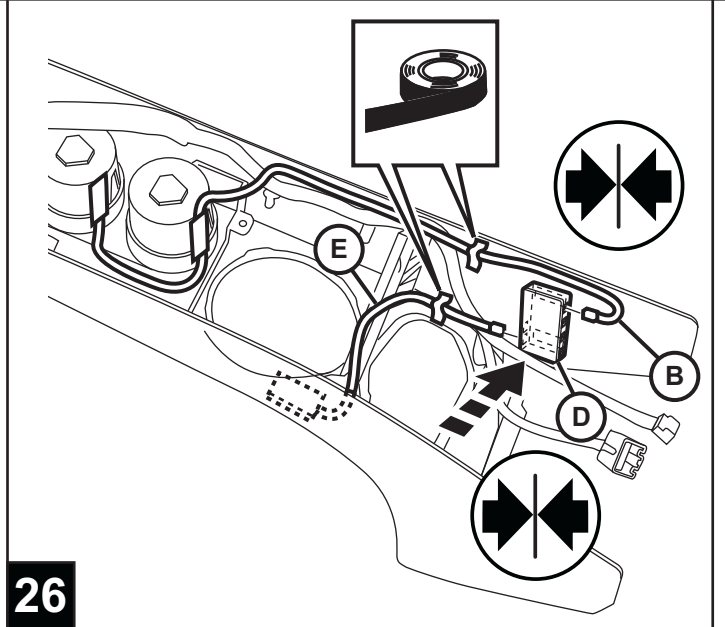
23



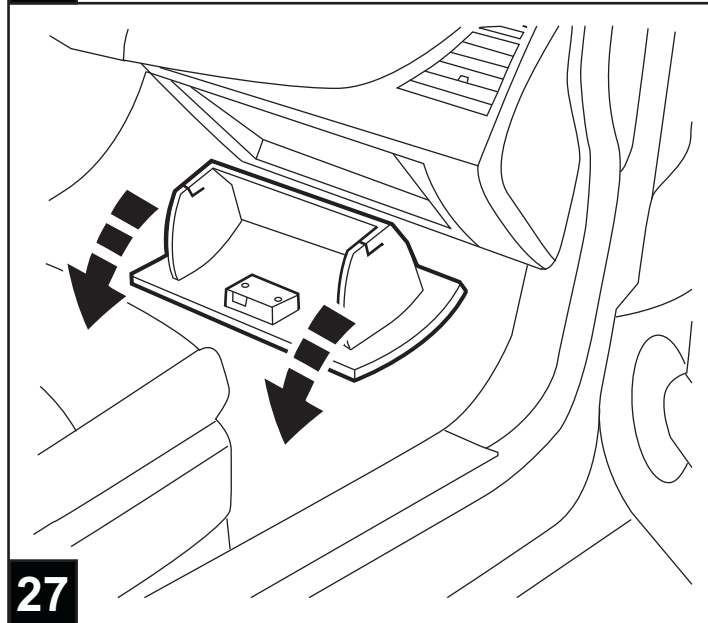
24



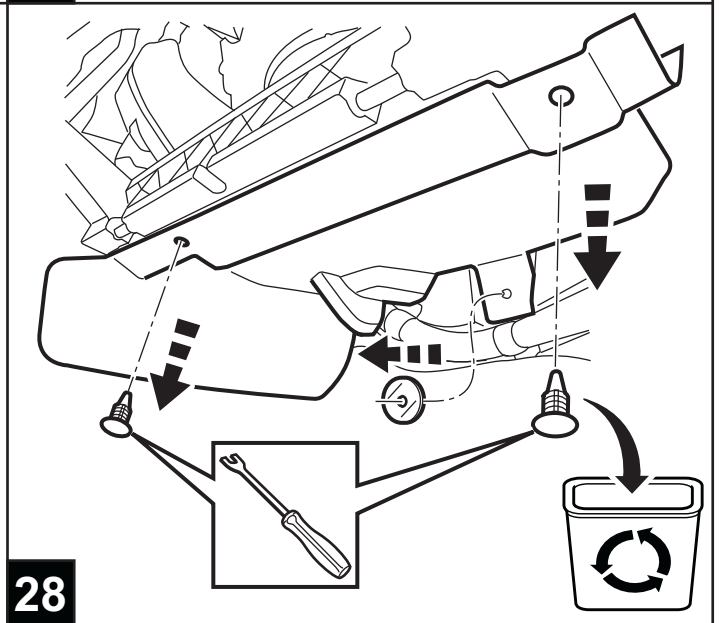
25



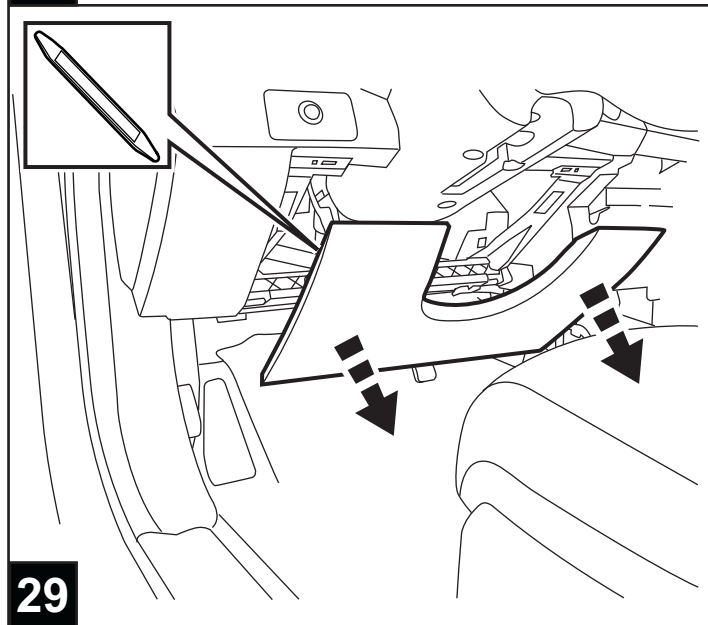
26



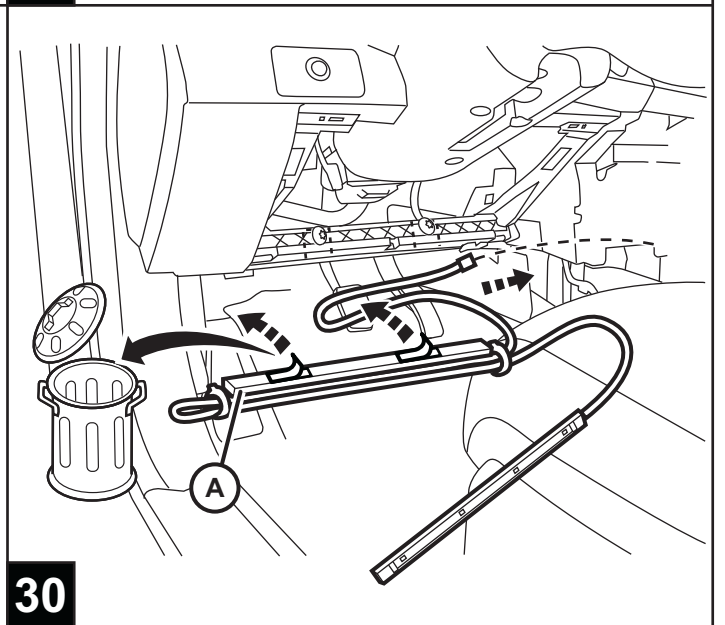
27



28

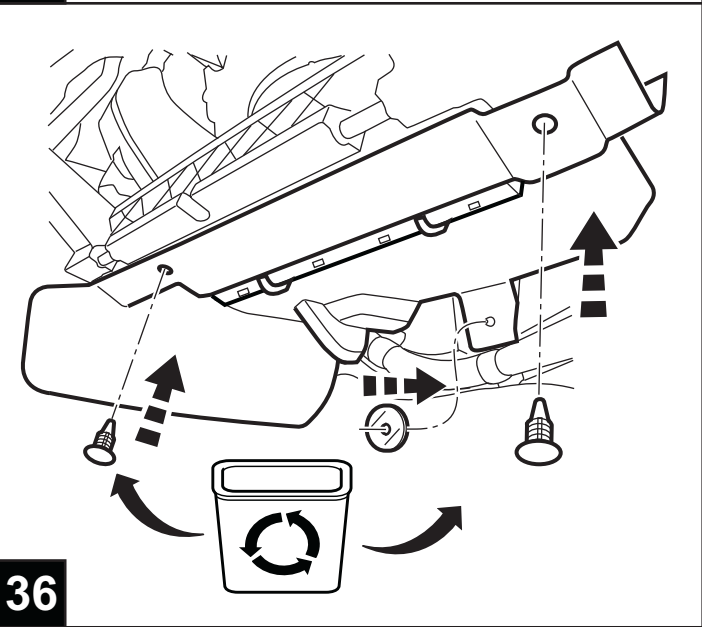
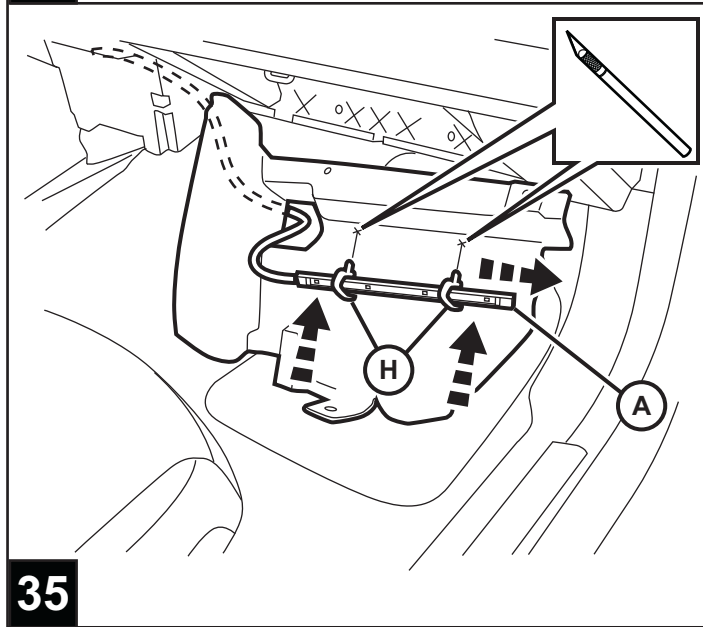
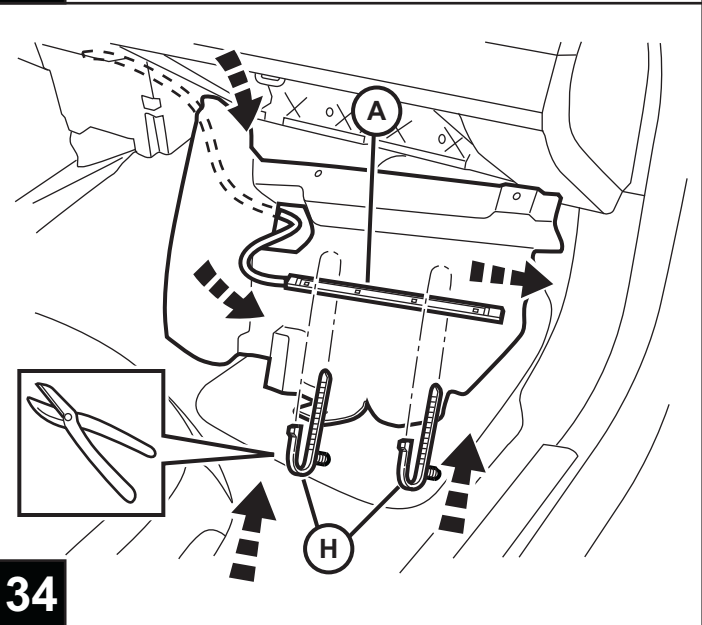
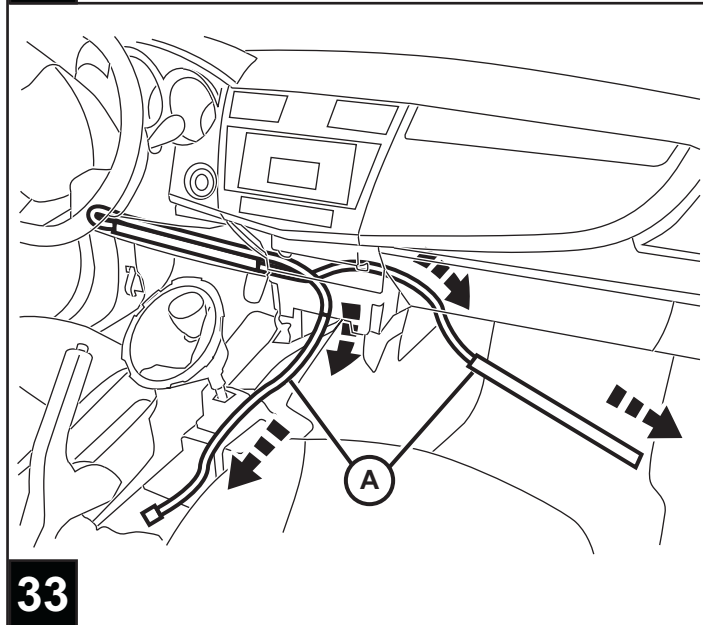
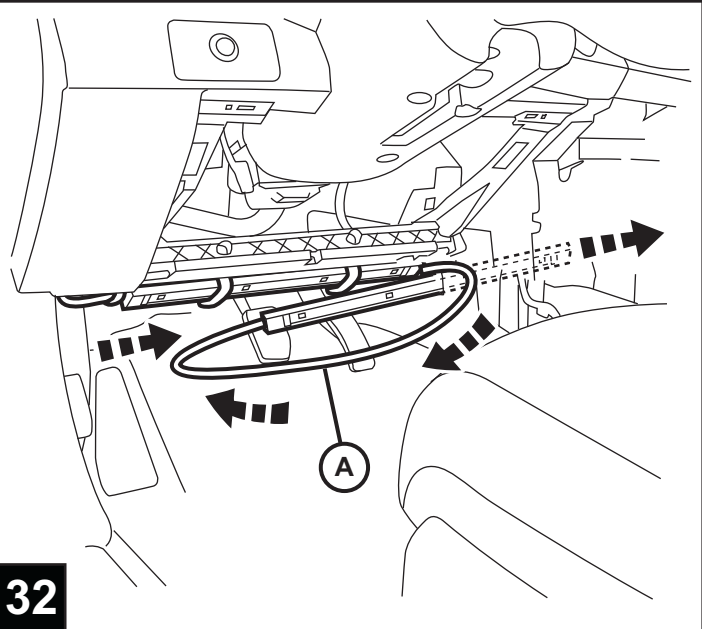
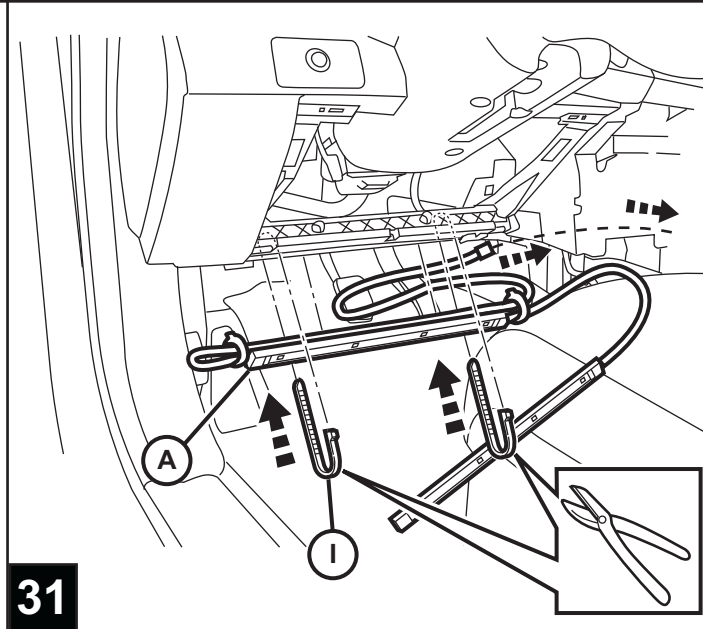


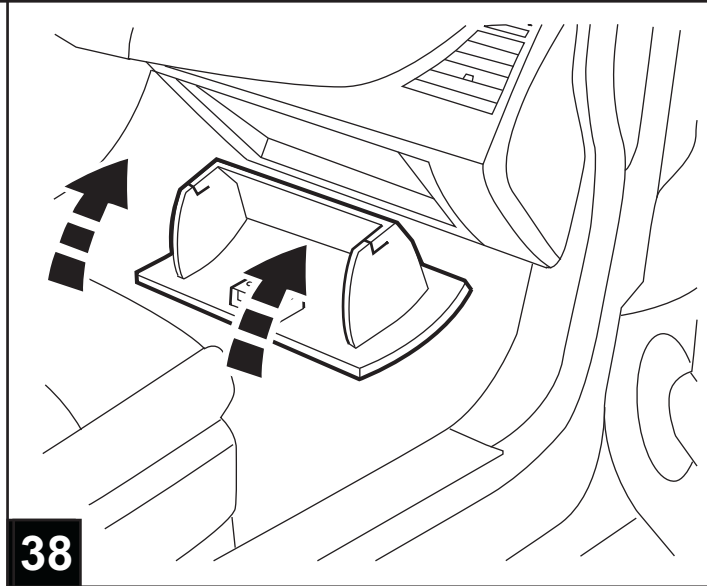
29



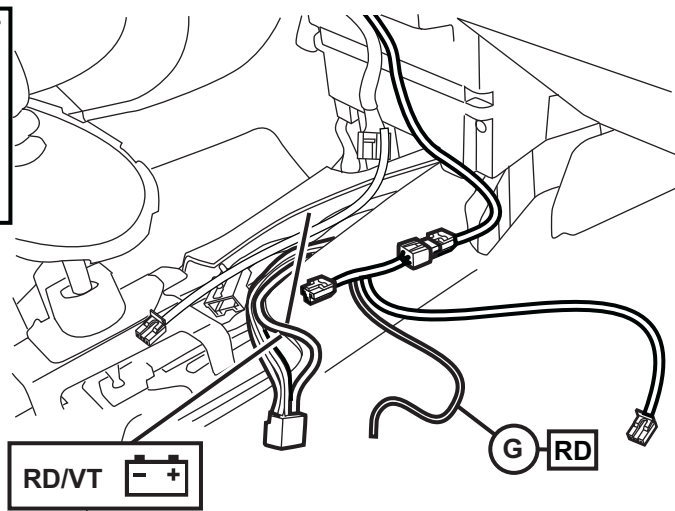
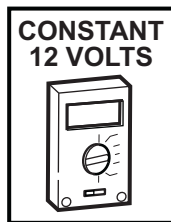
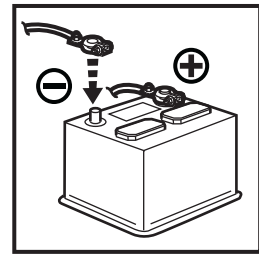
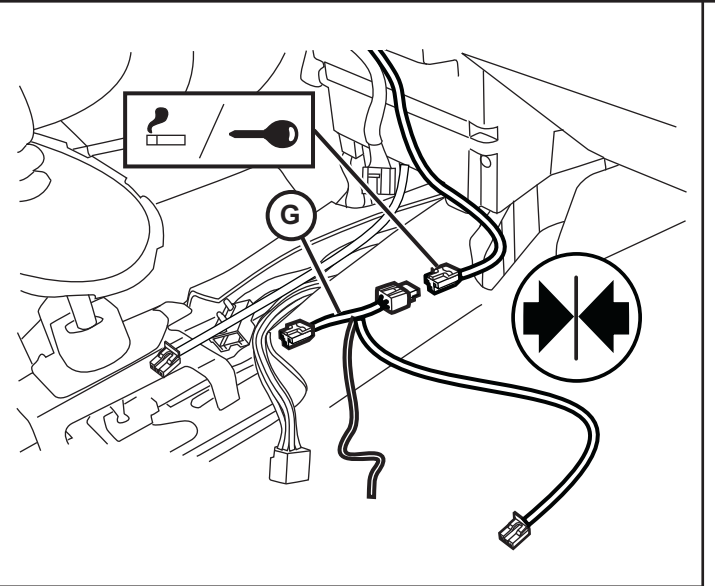
30

CHRYSLER SEBRING/ AVENGER

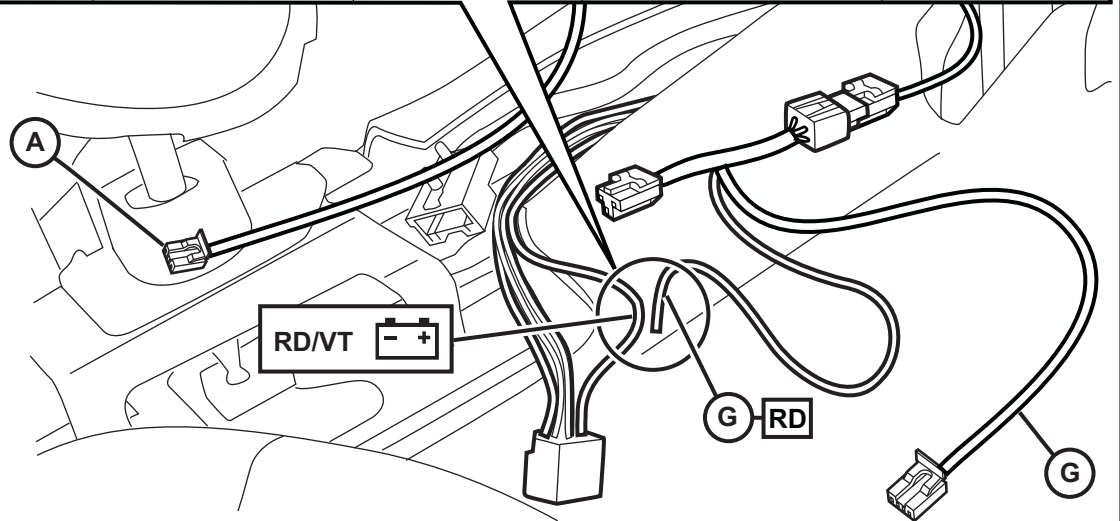
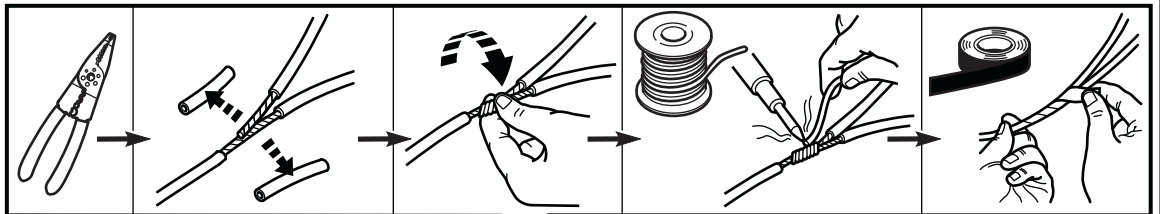
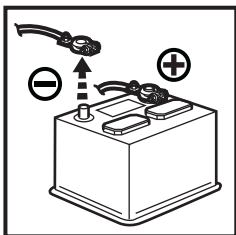




38

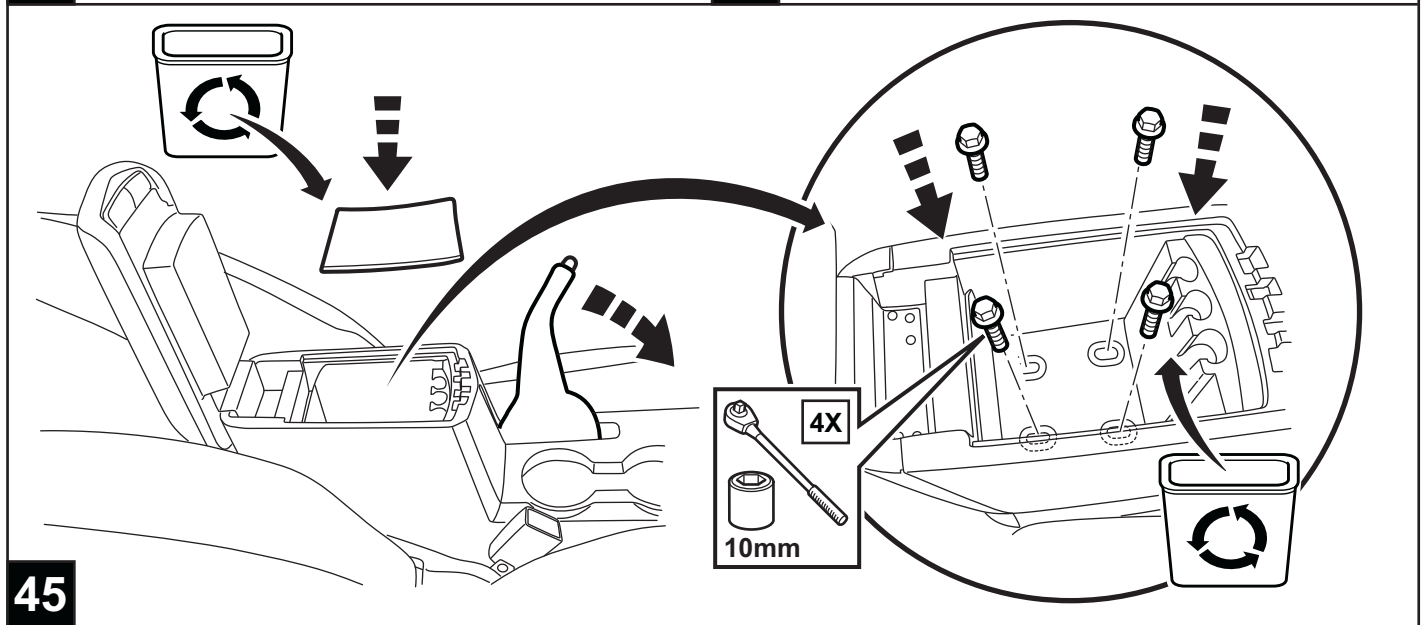
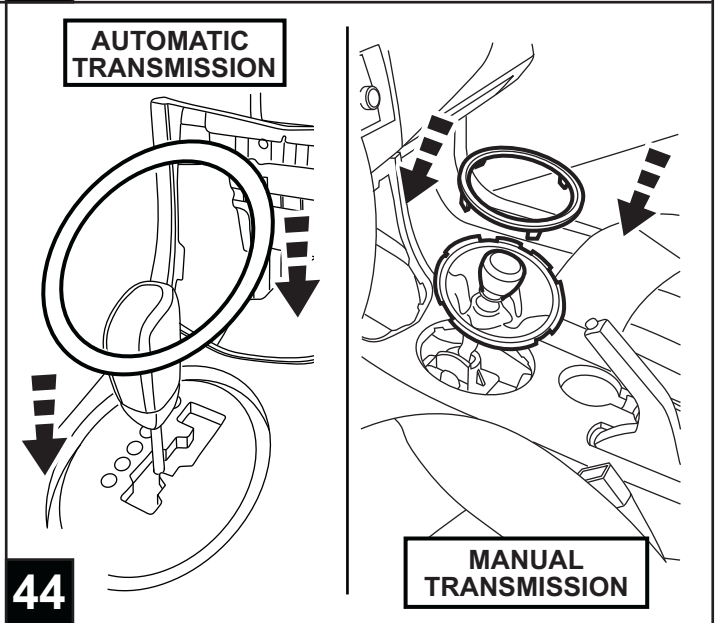
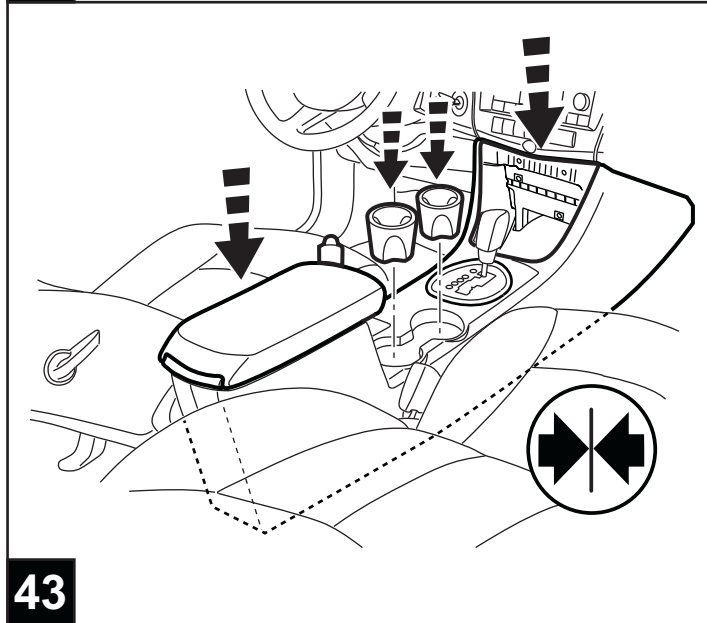
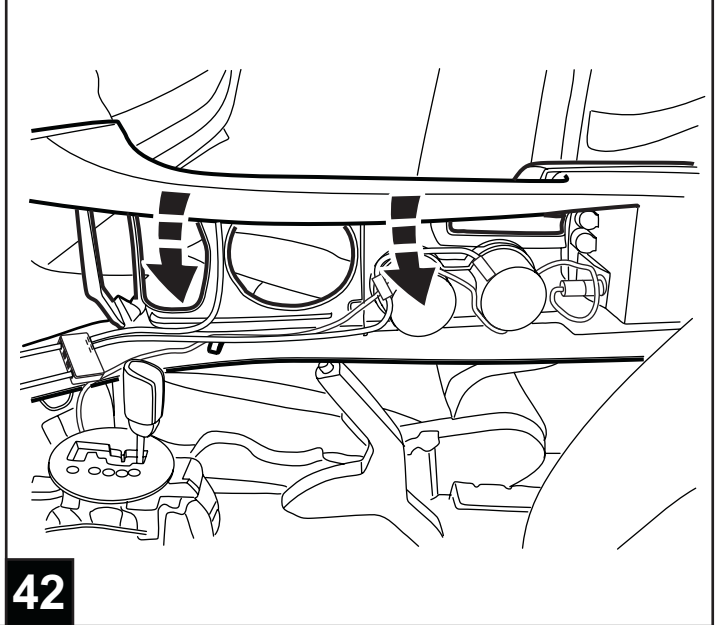
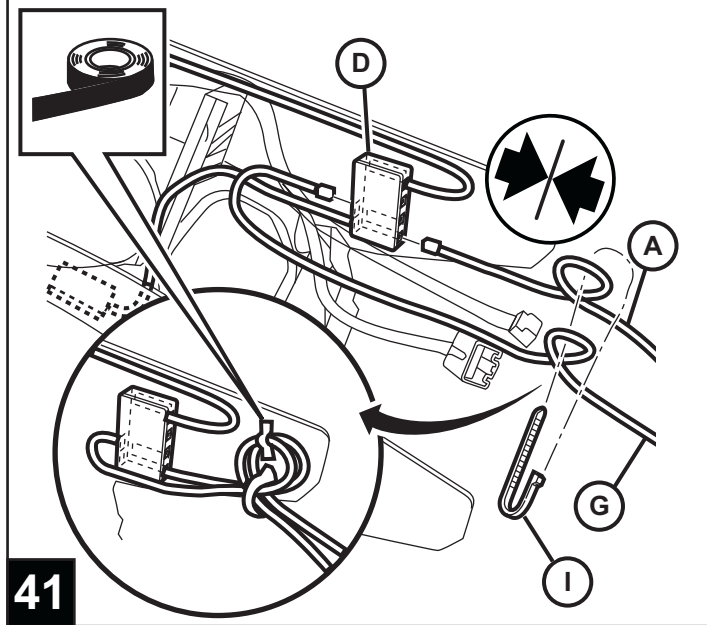


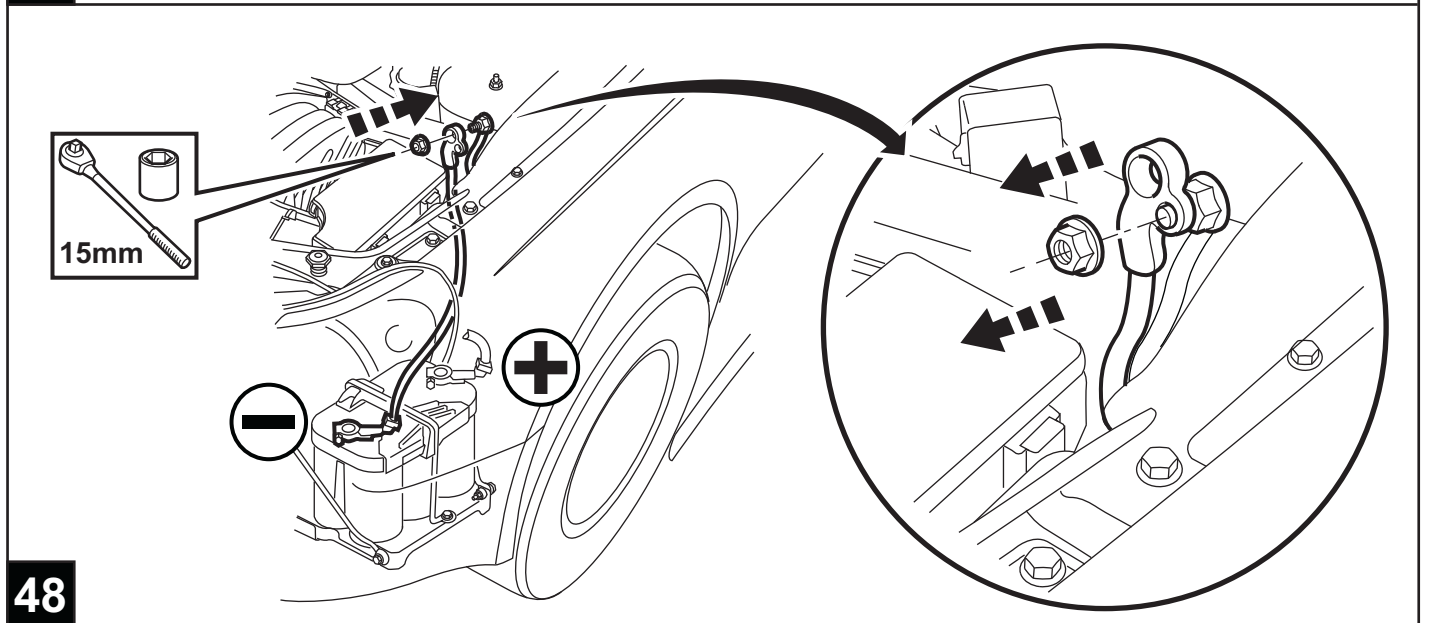
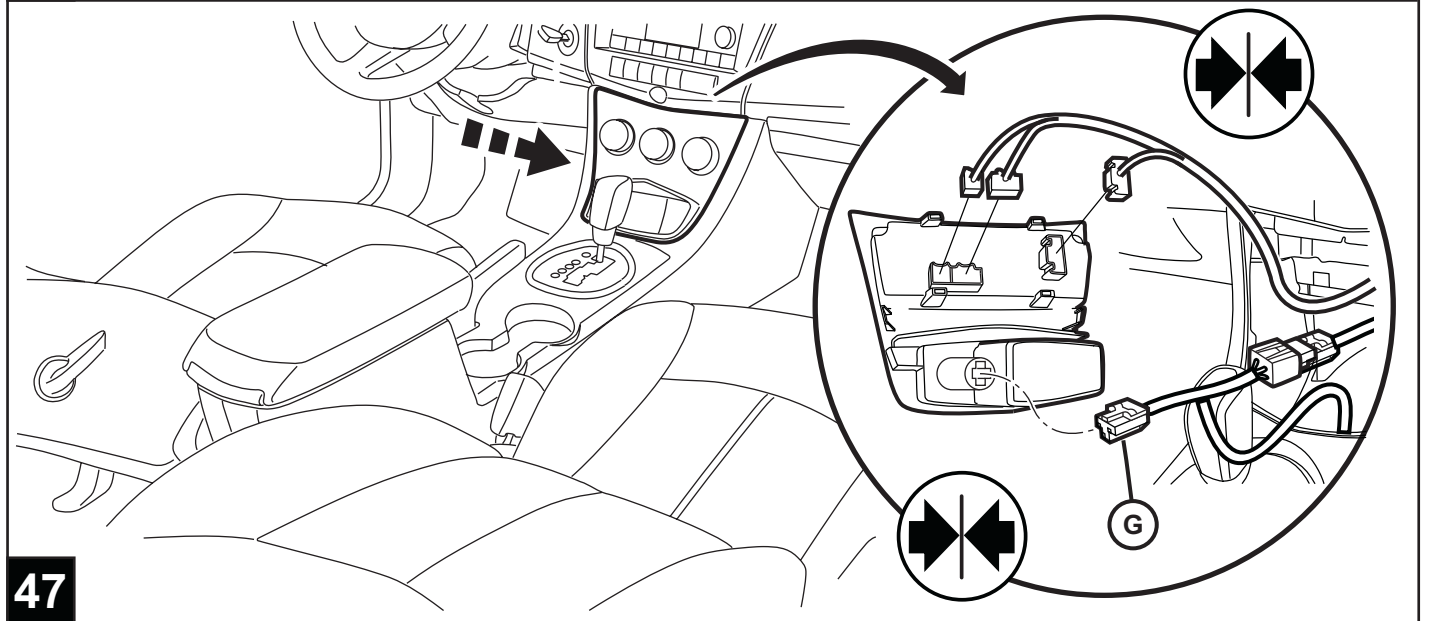
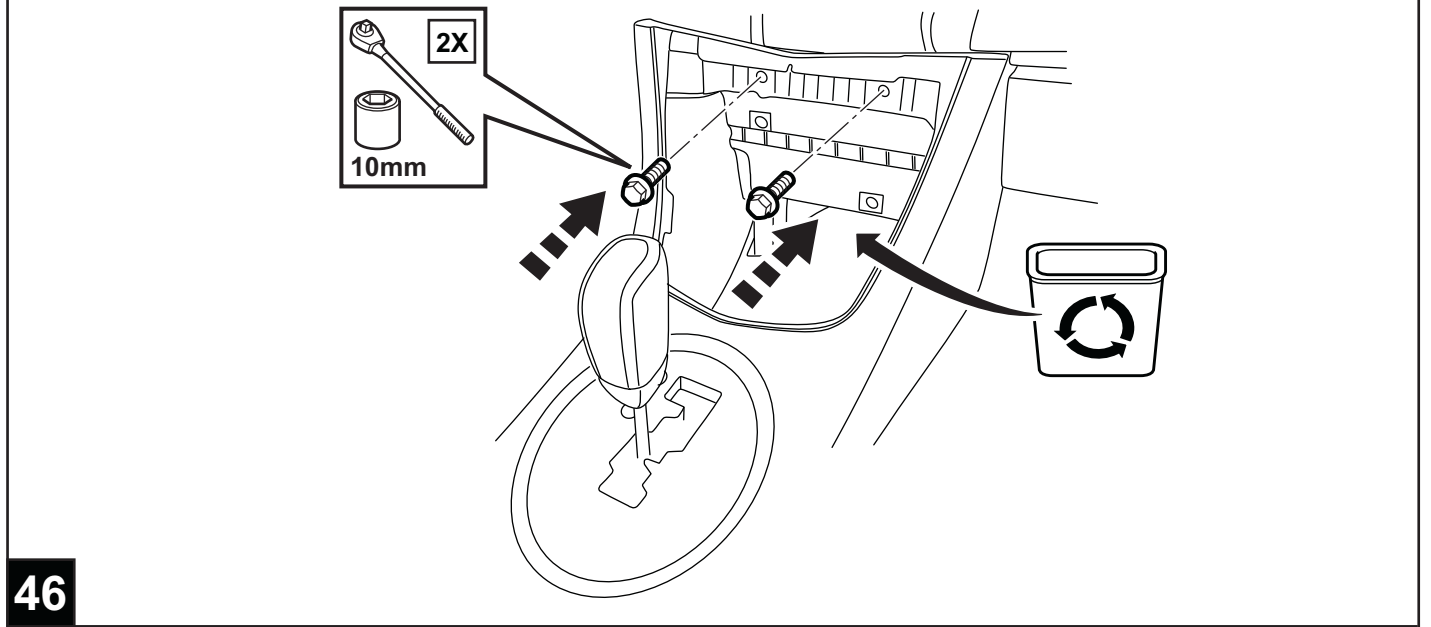
39



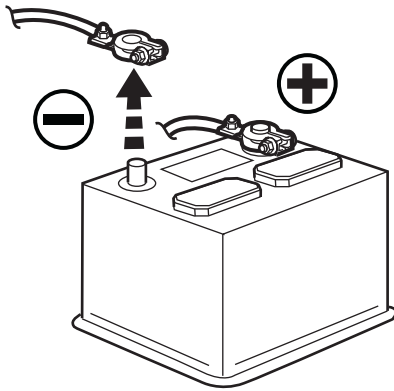
40

CHRYSLER SEBRING/ AVENGER

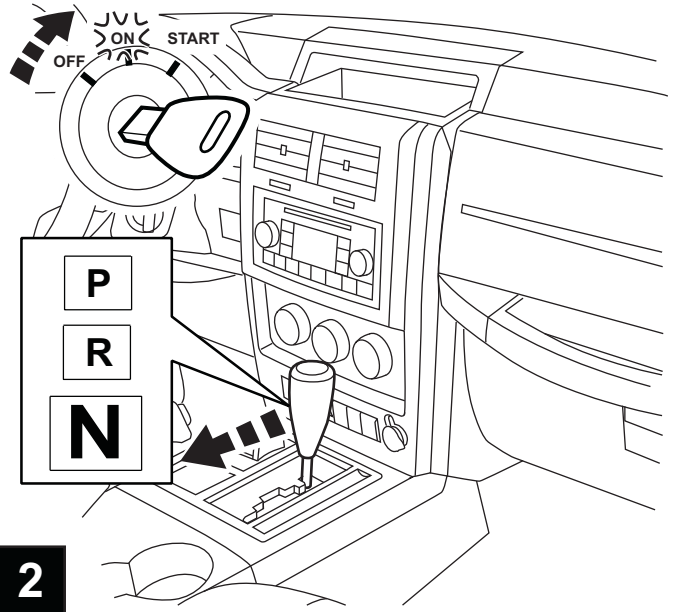




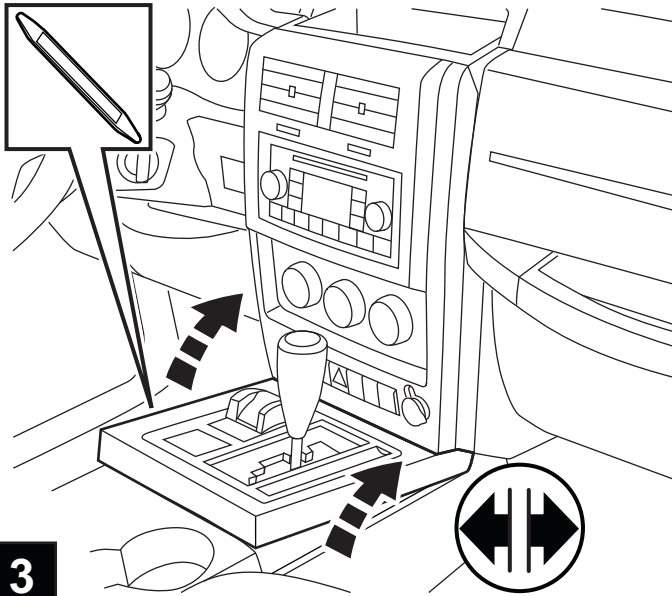
JEEP LIBERTY



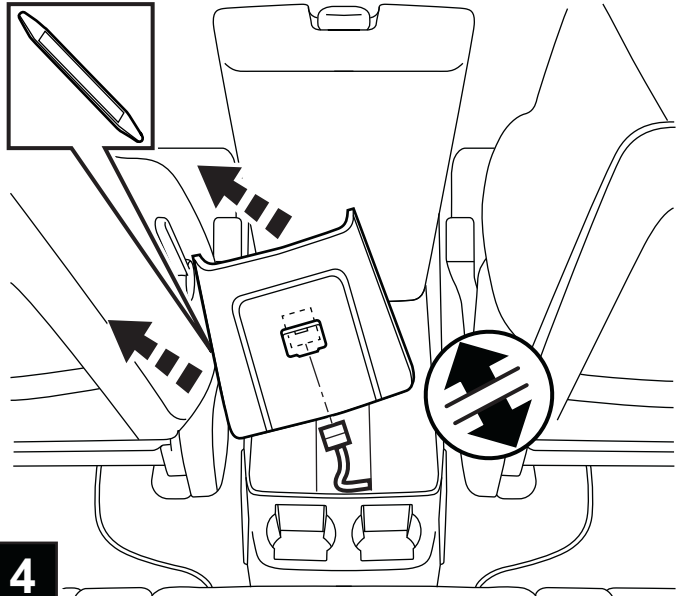
1



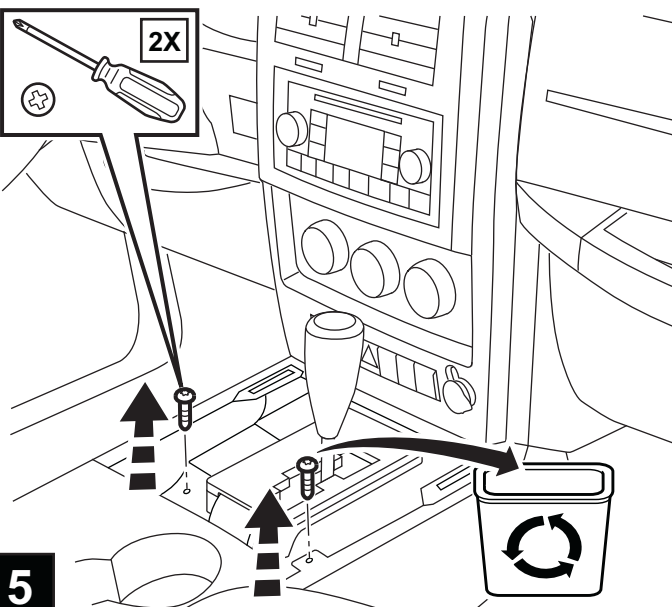
2



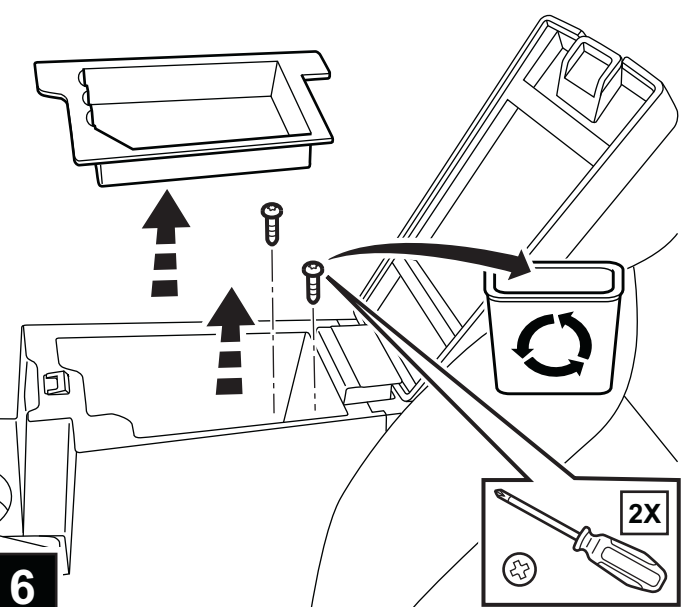
3



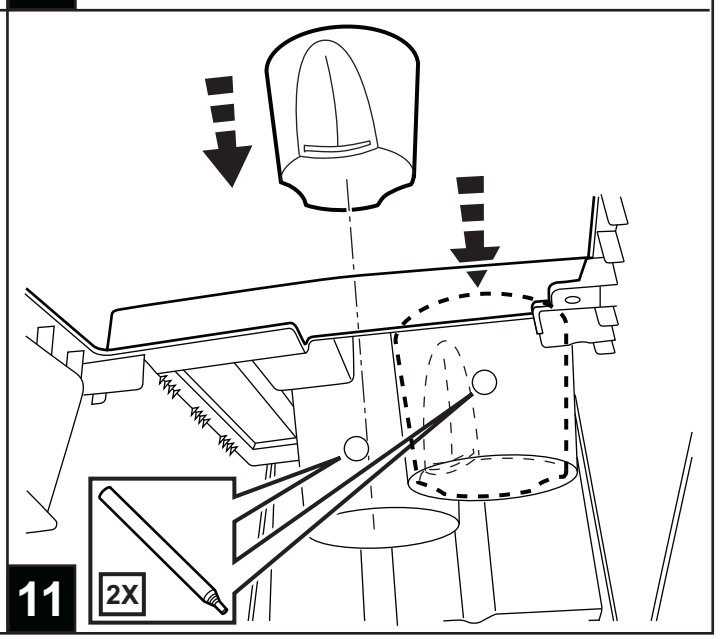
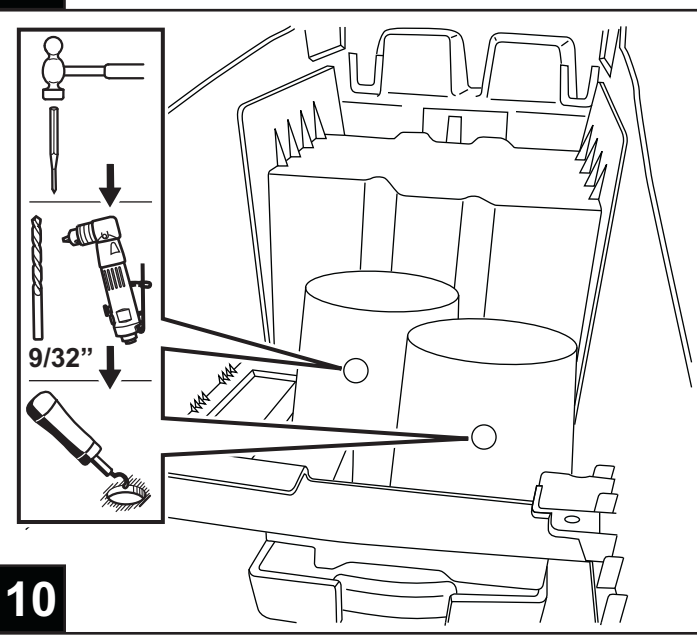
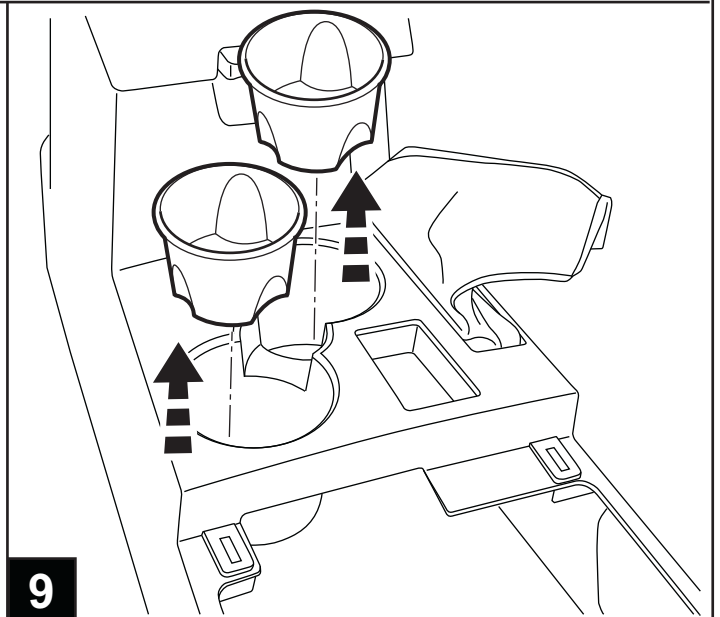
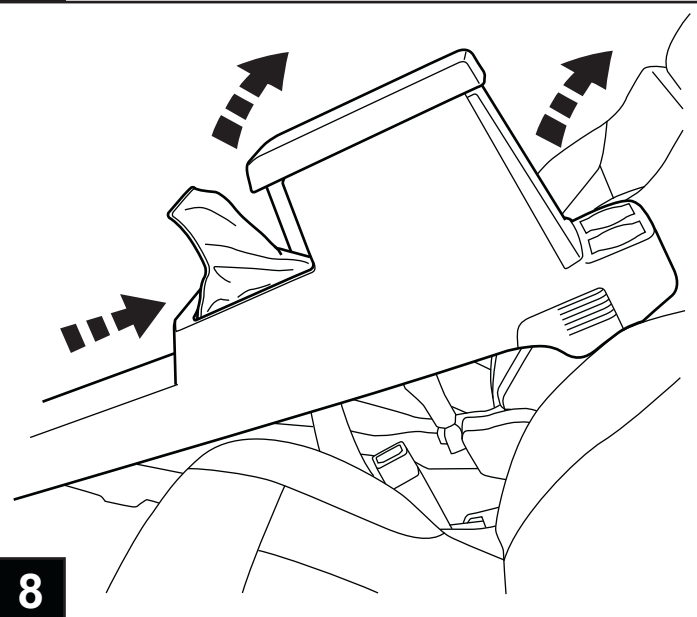
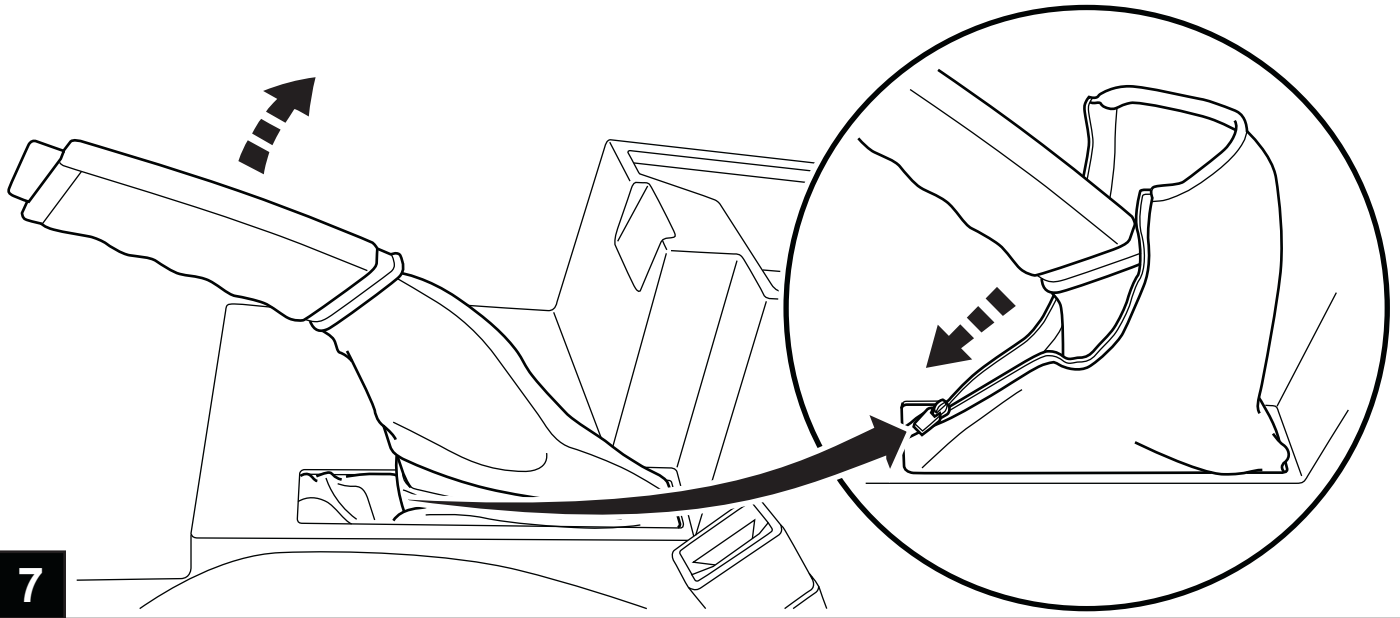
4



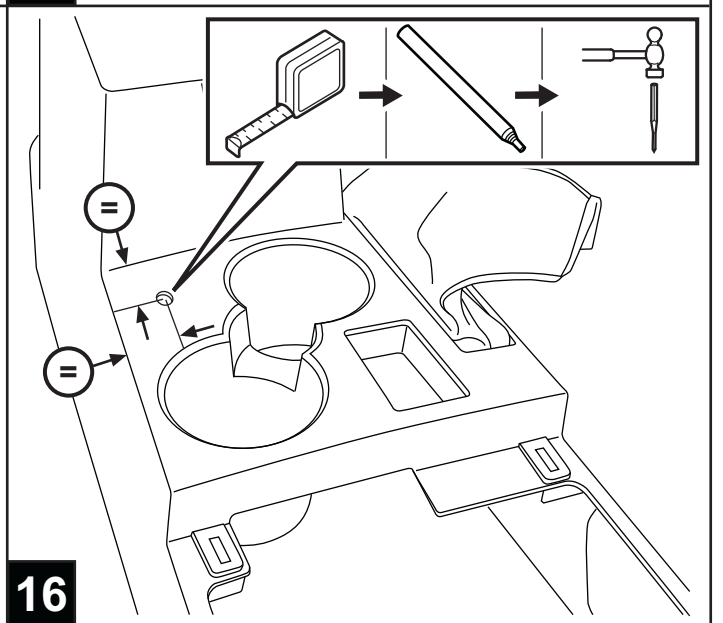
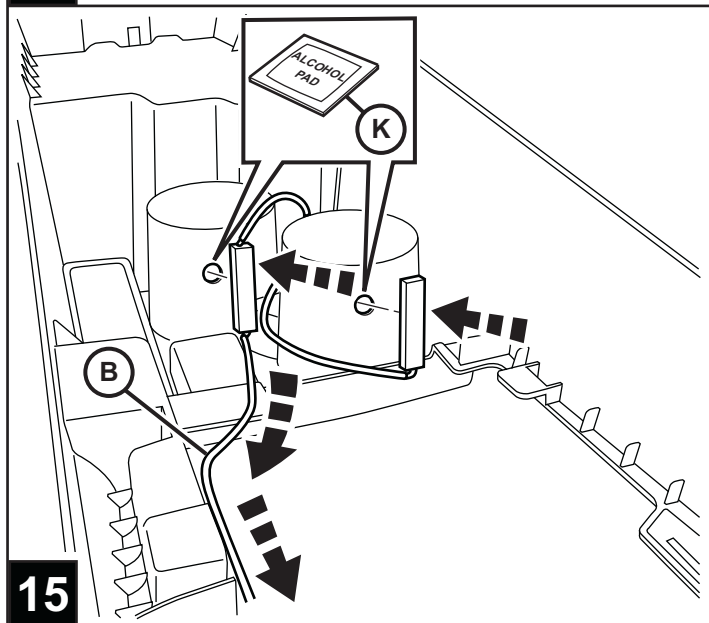
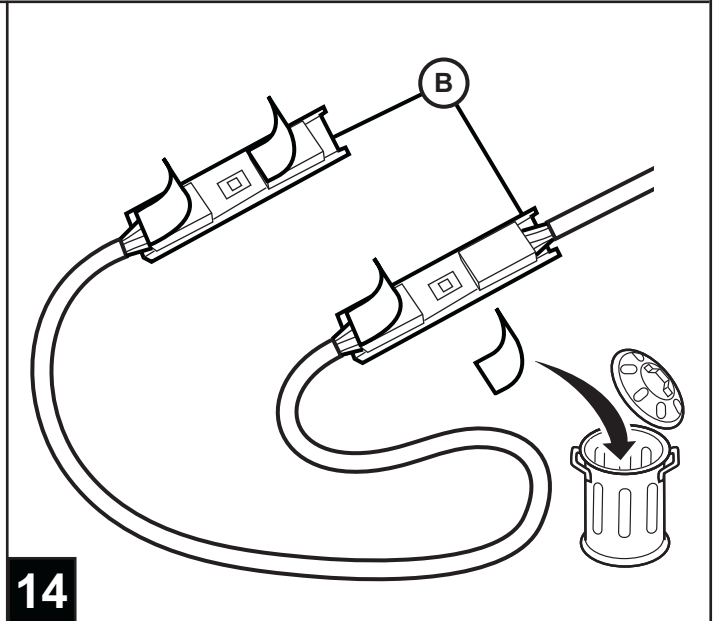
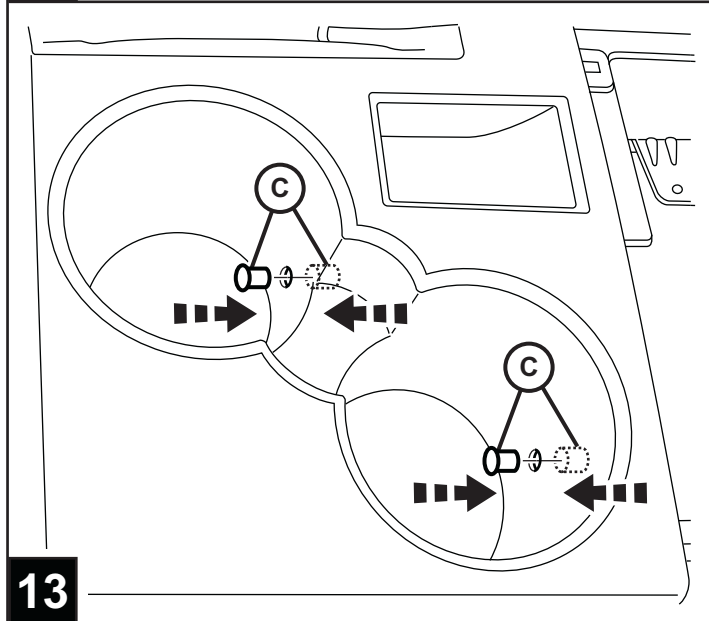
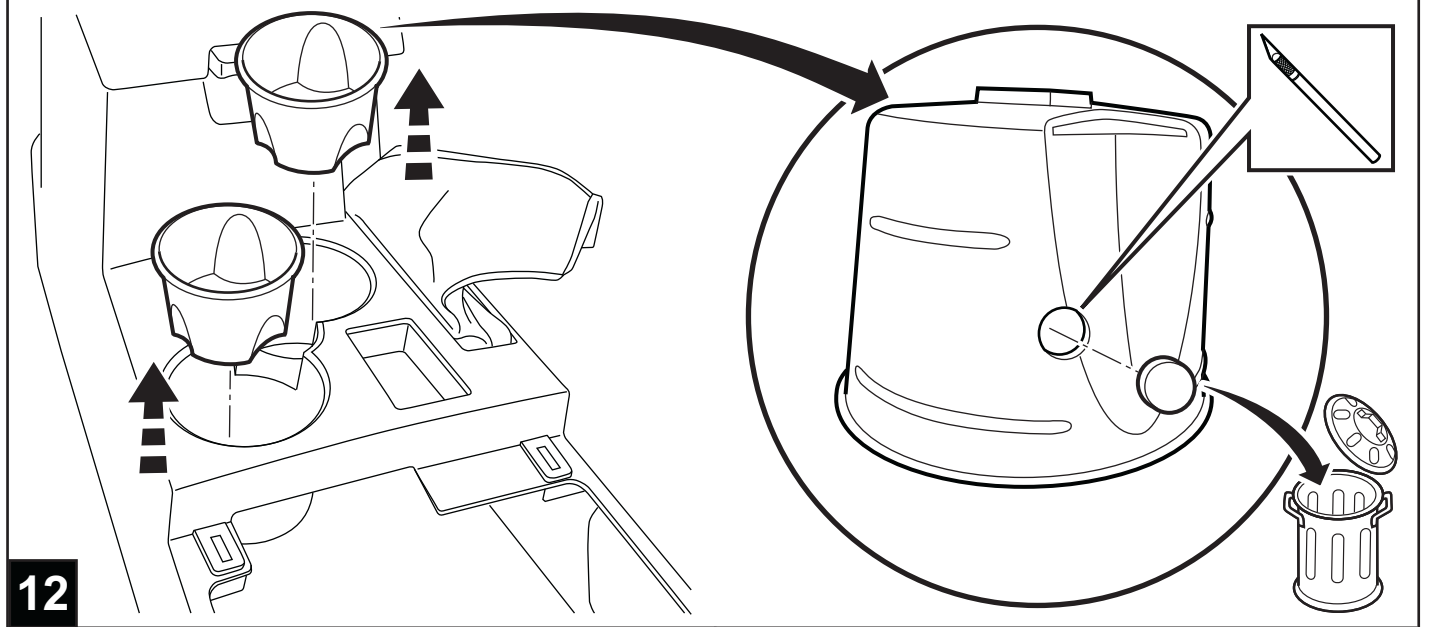
5

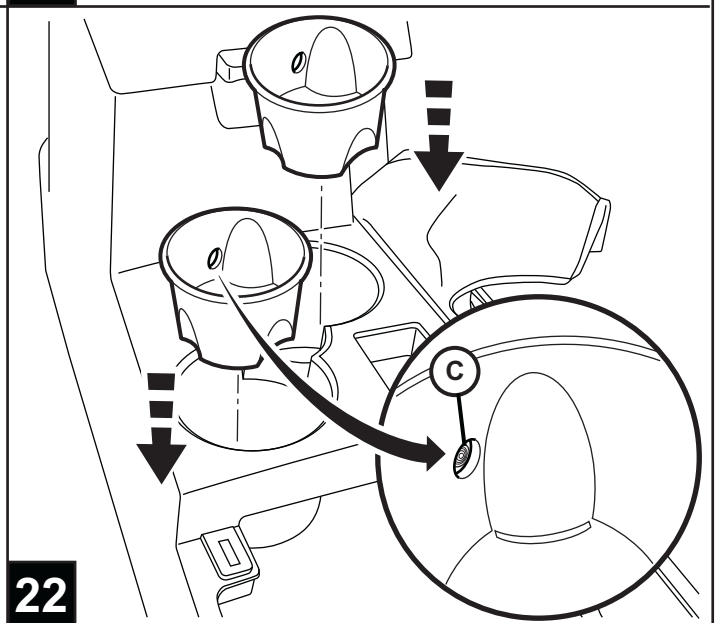
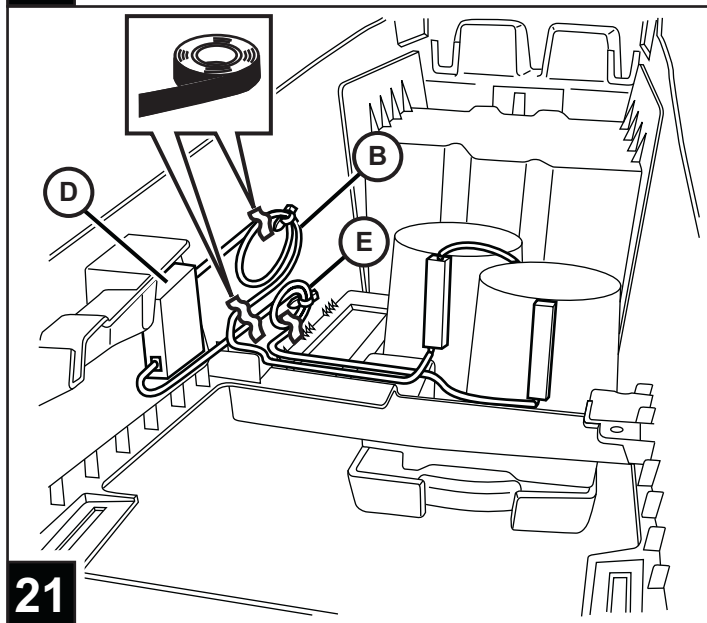
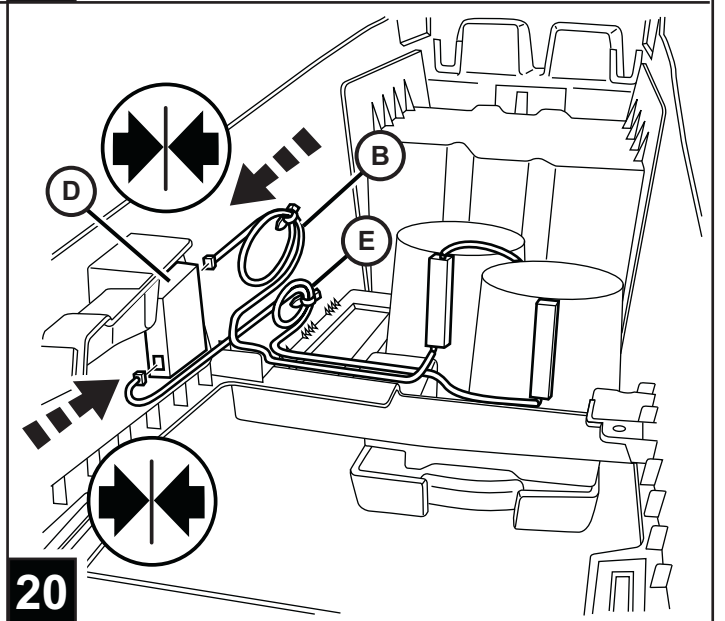
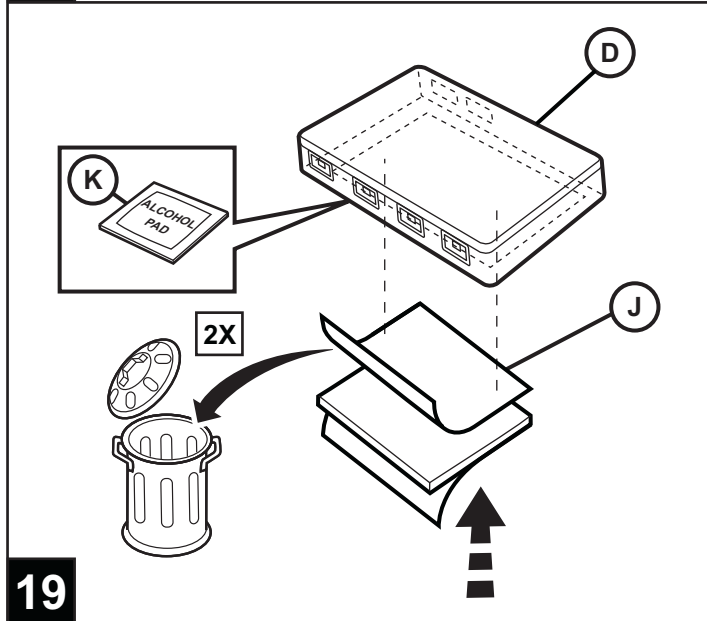
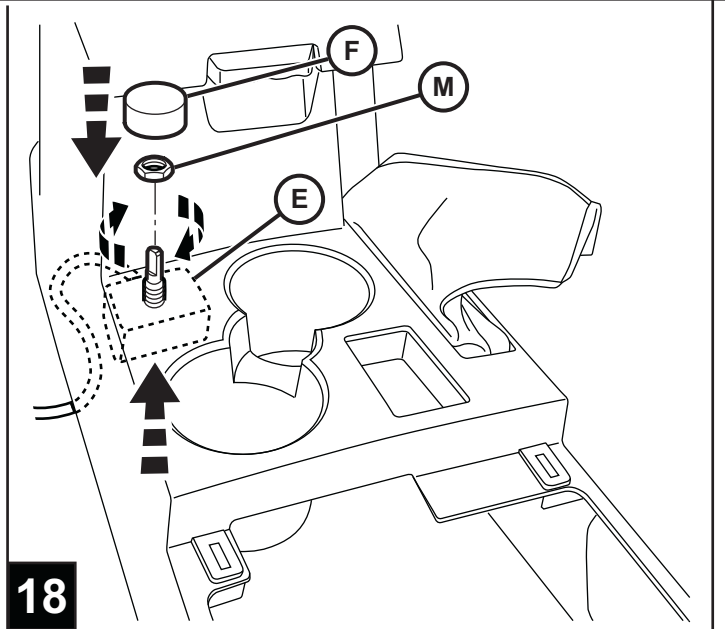
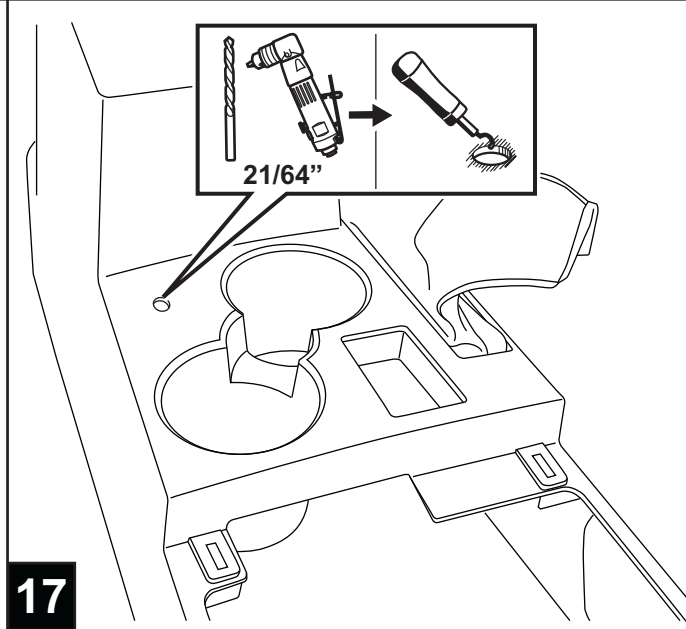


6

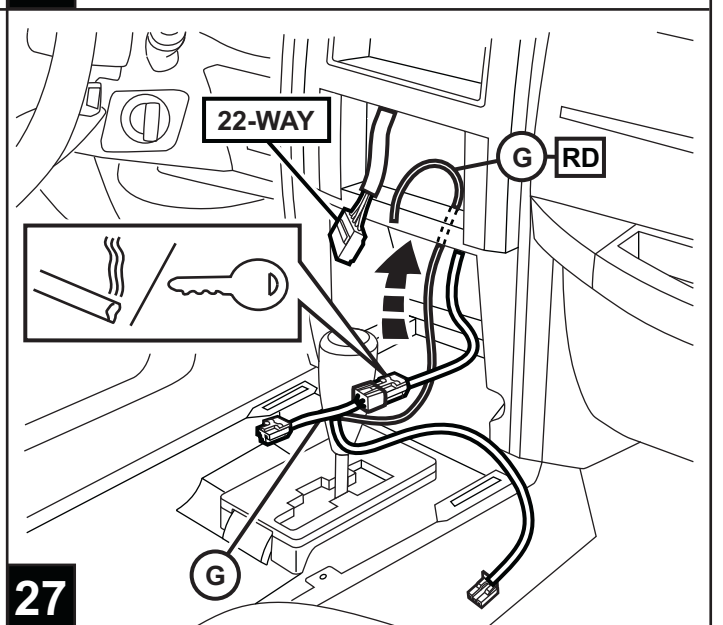
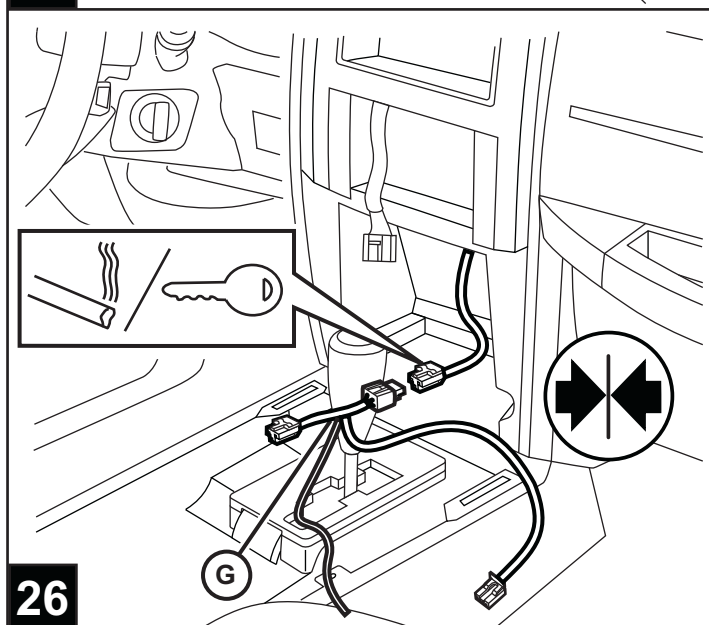
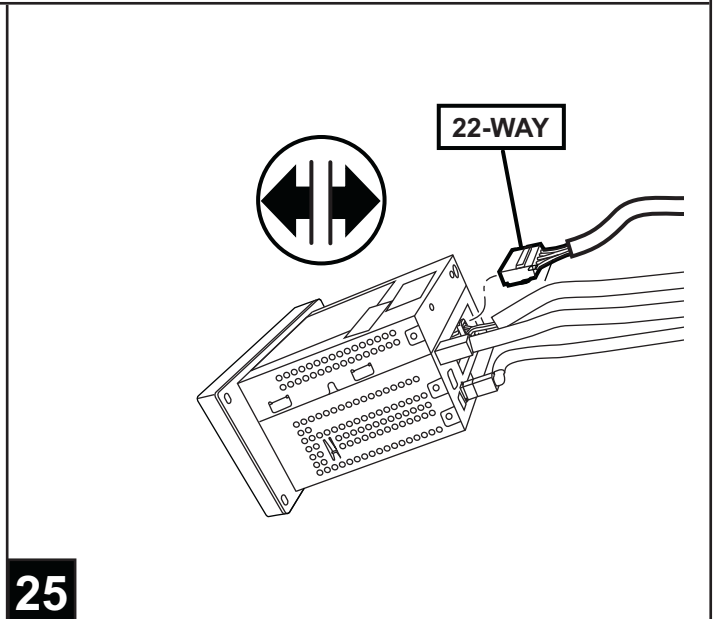
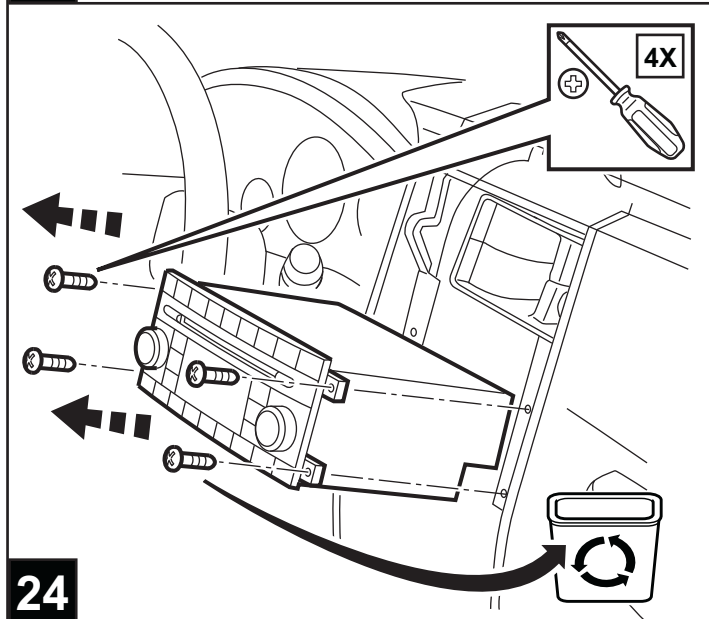
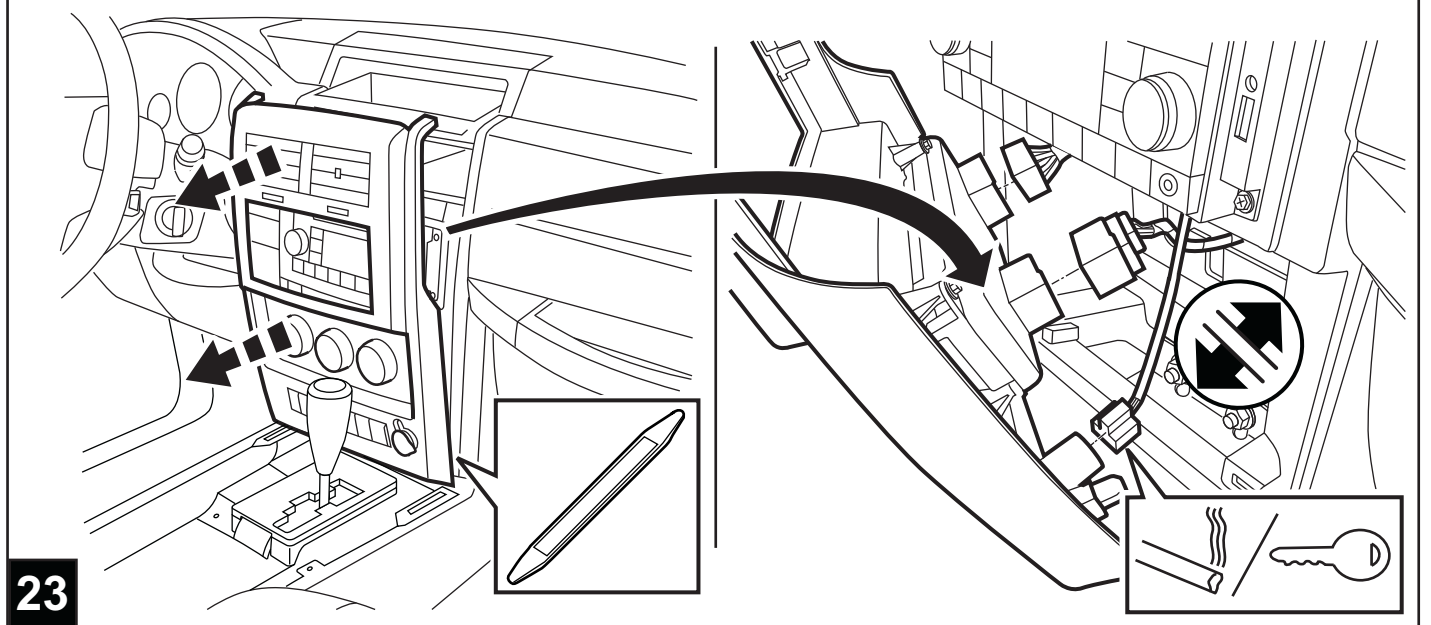


JEEP LIBERTY

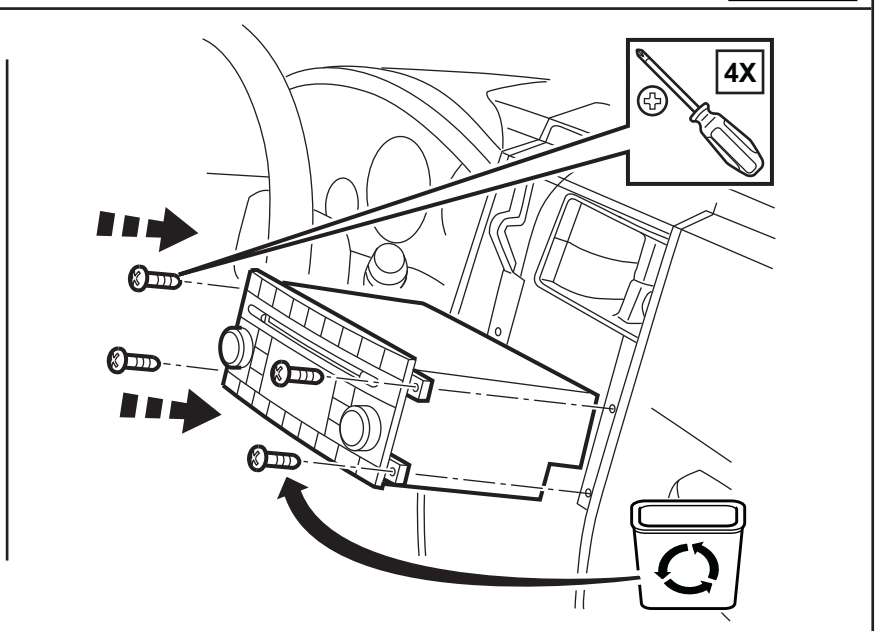
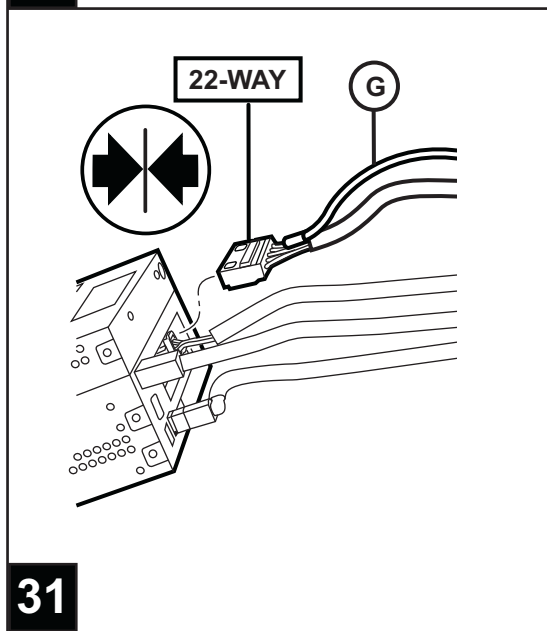
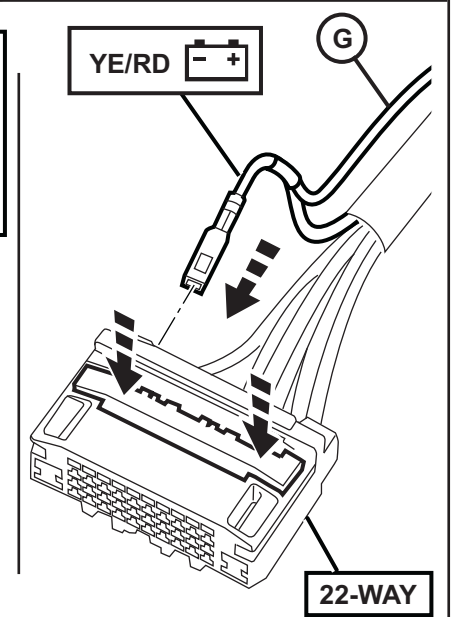
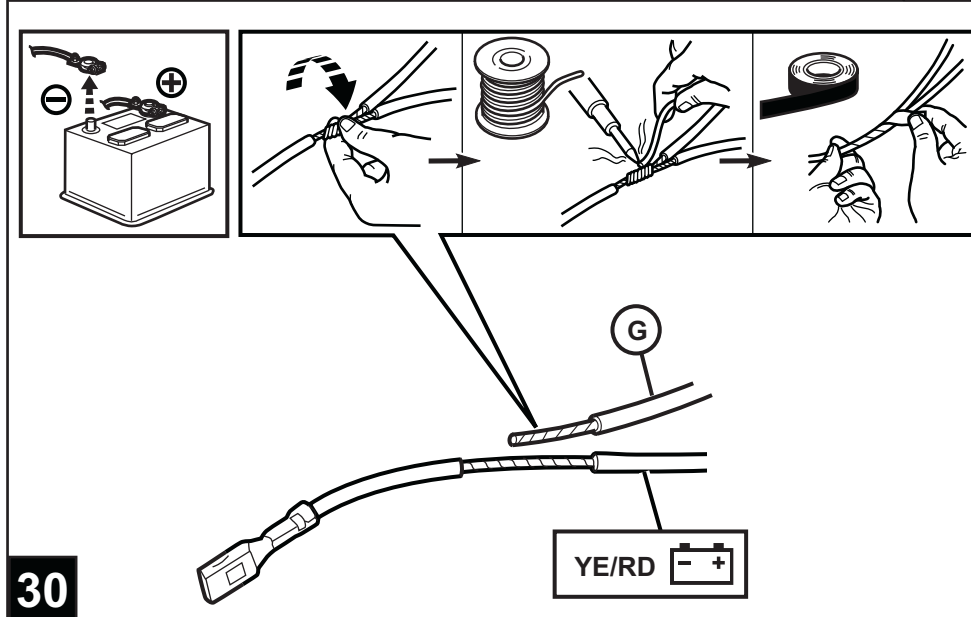
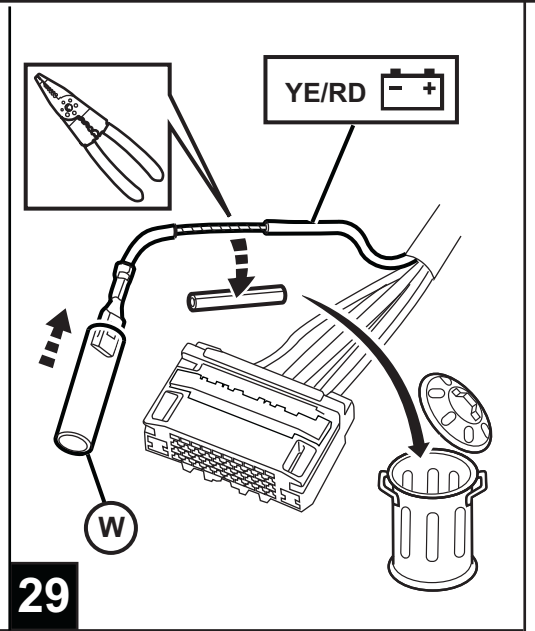
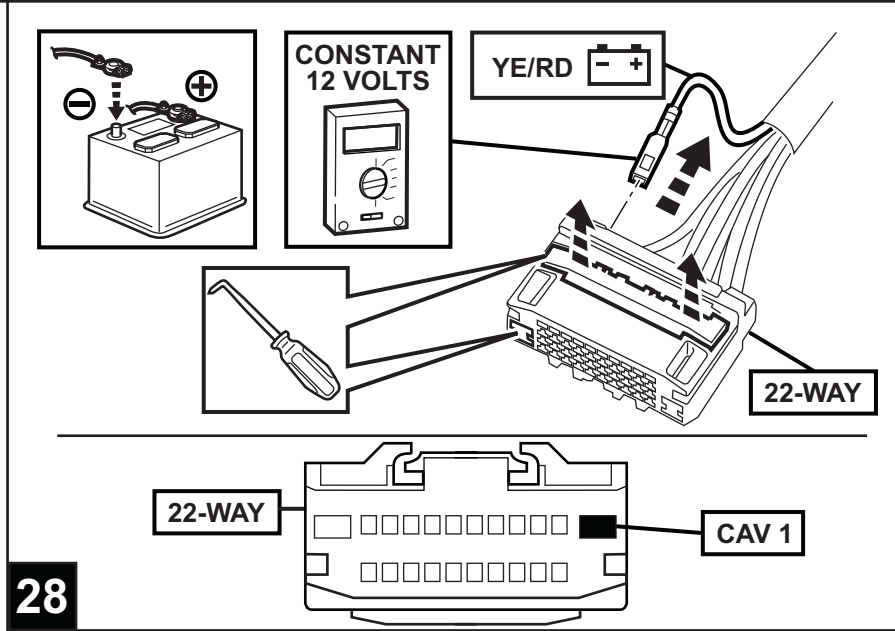


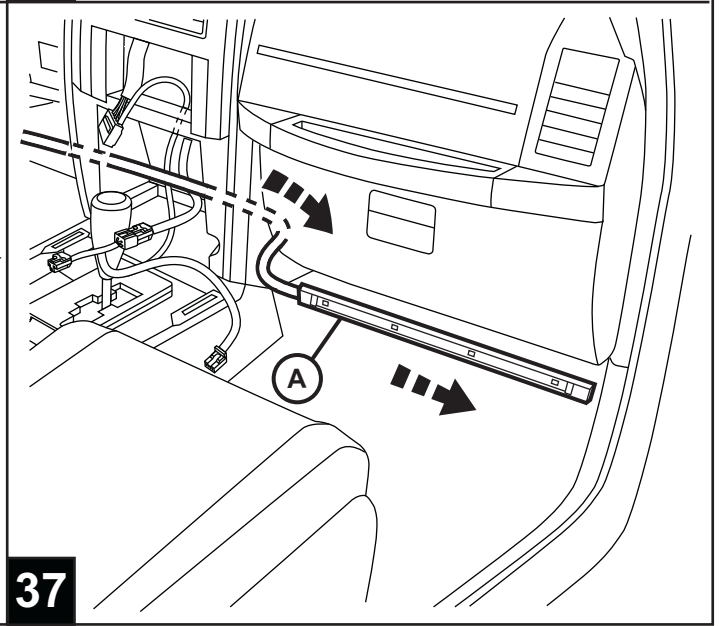
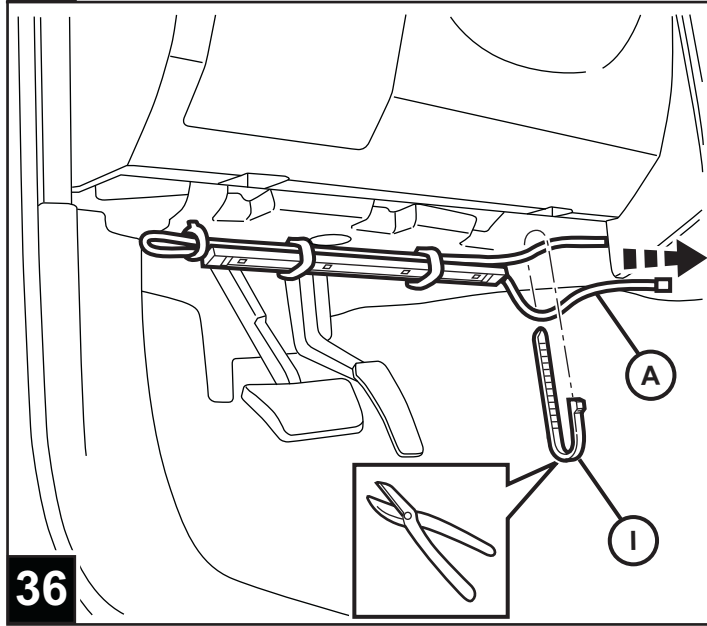
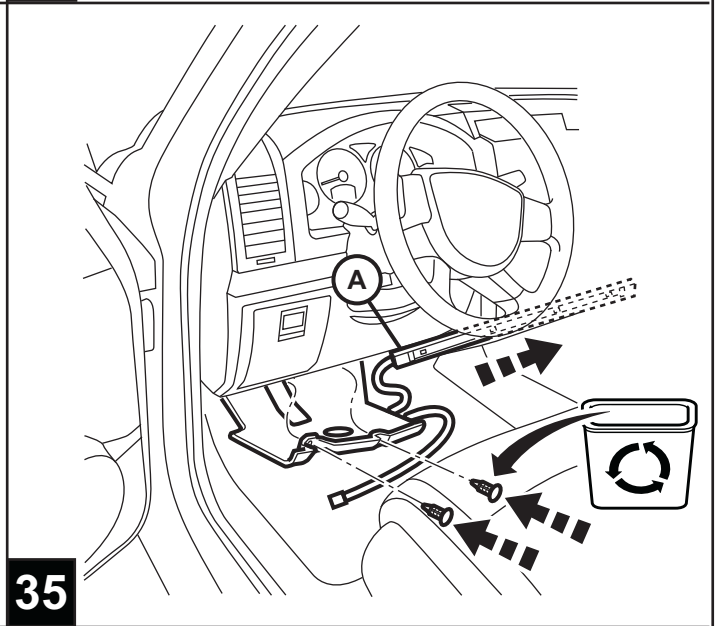
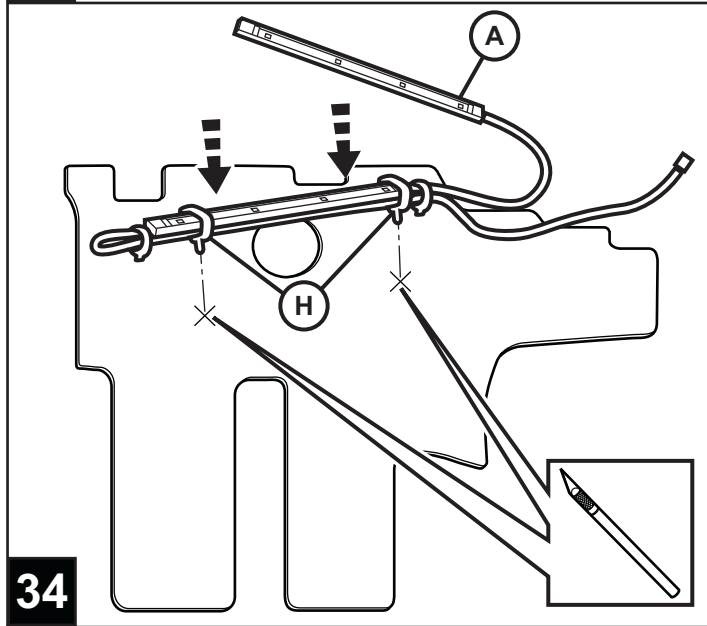
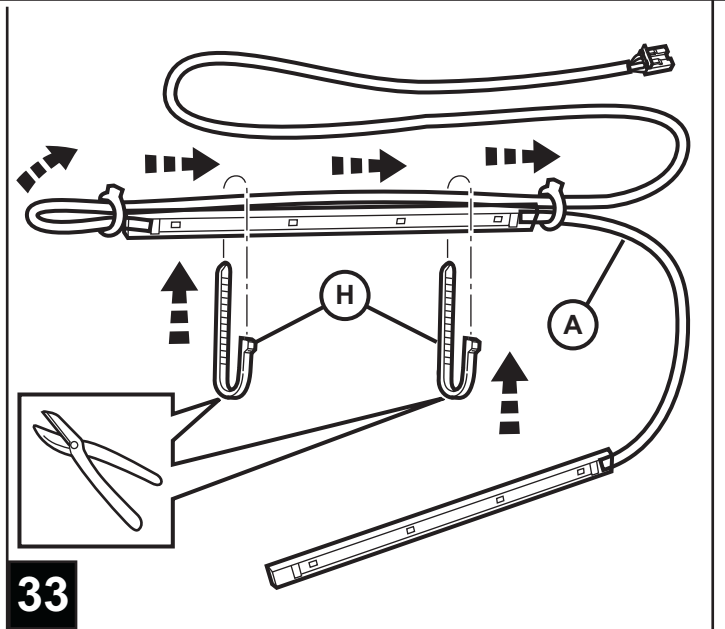
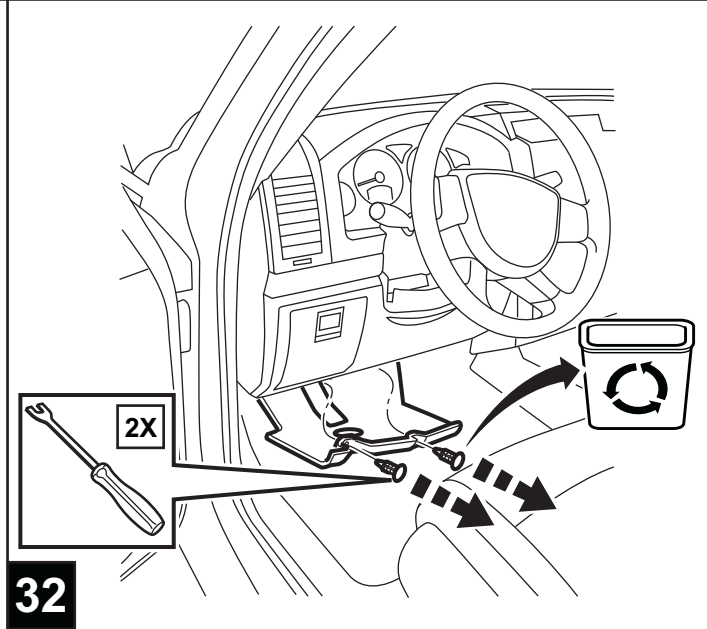


JEEP LIBERTY

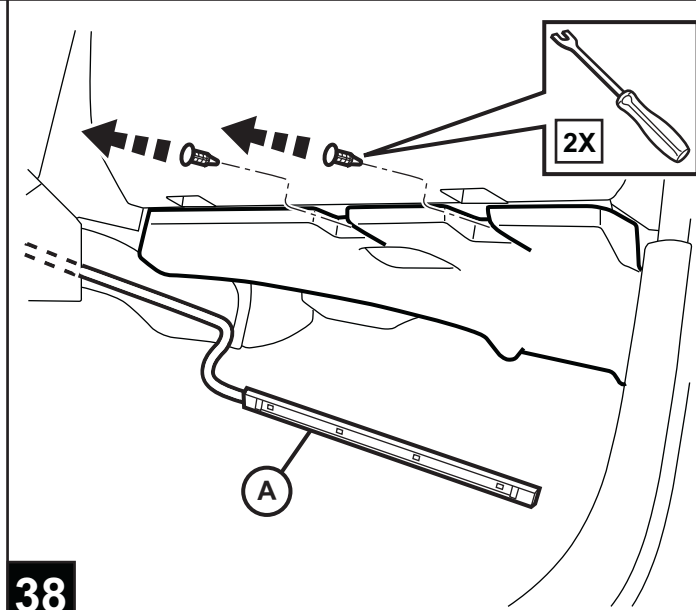


JEEP LIBERTY

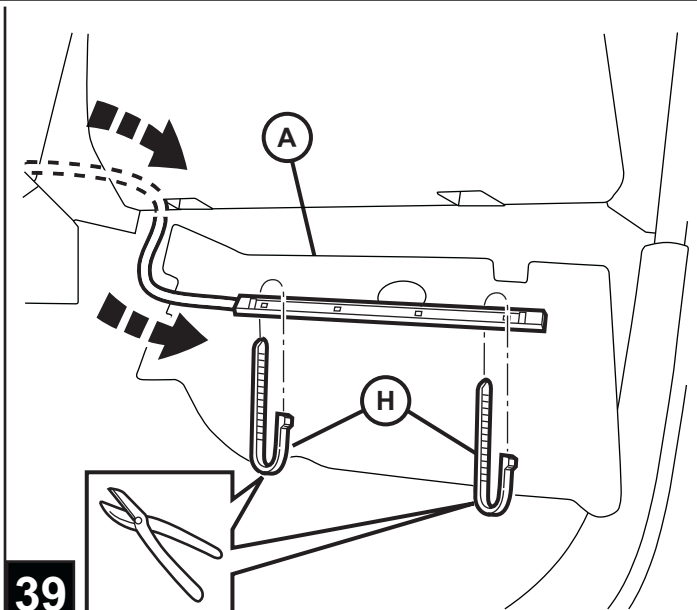




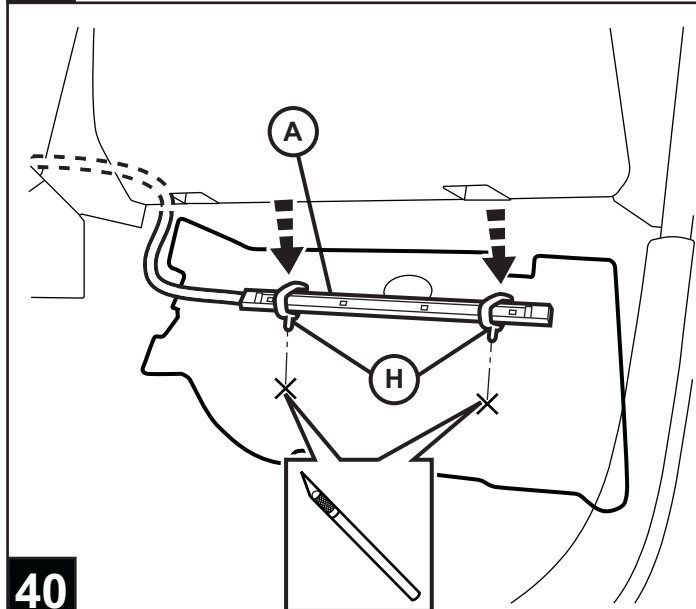
JEEP LIBERTY



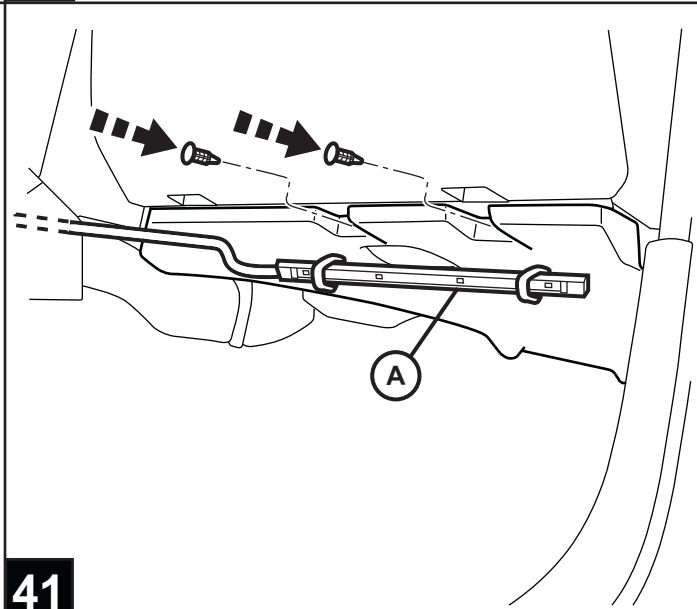
38



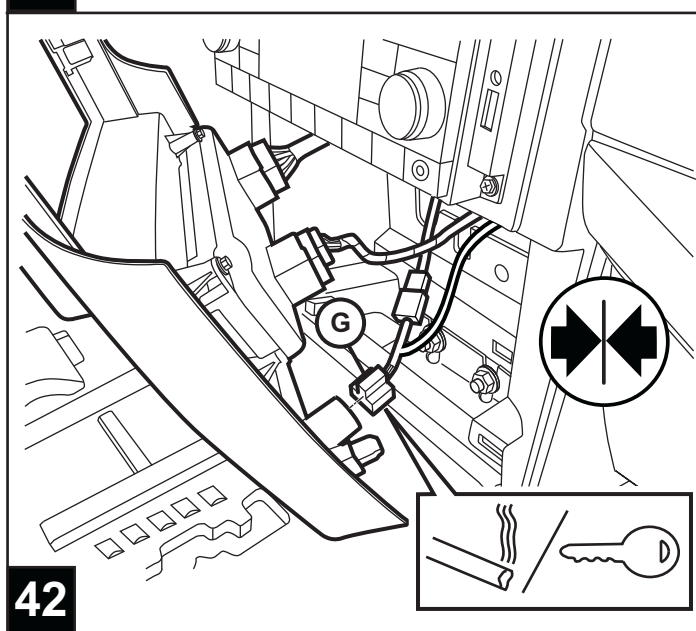
39



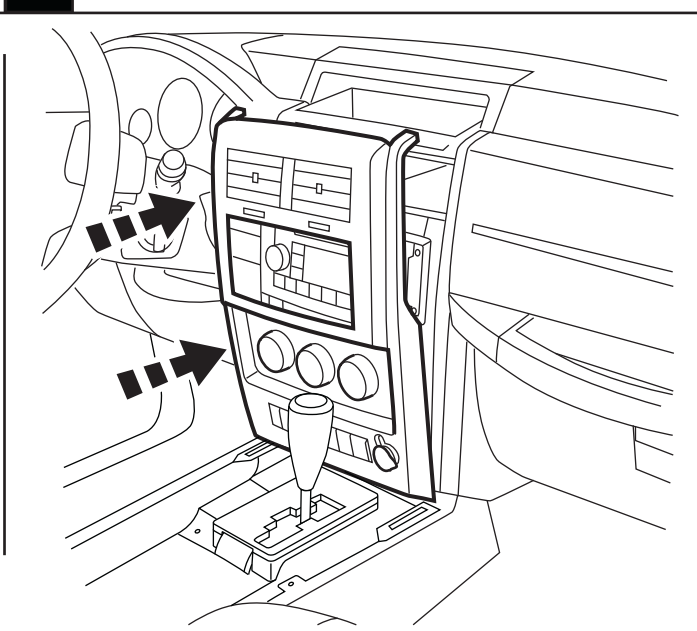
40

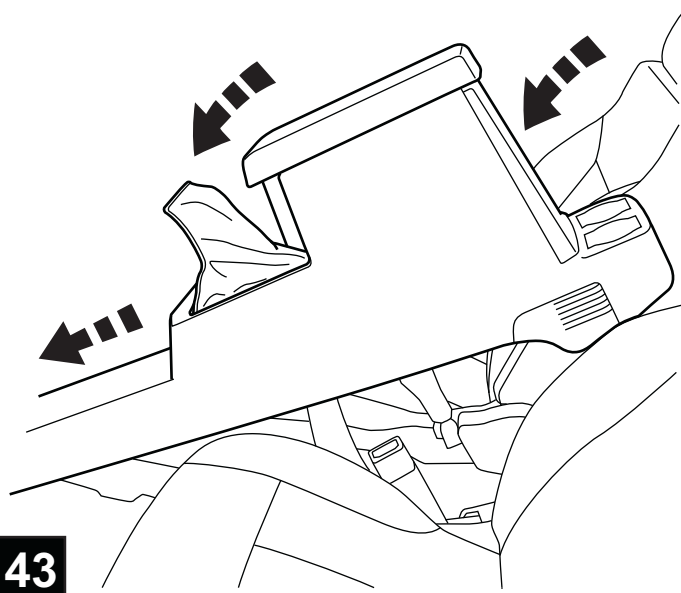


41

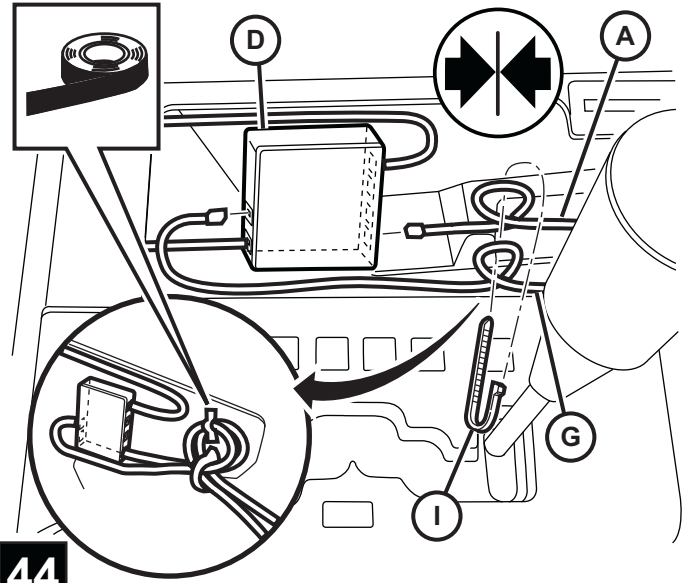


42

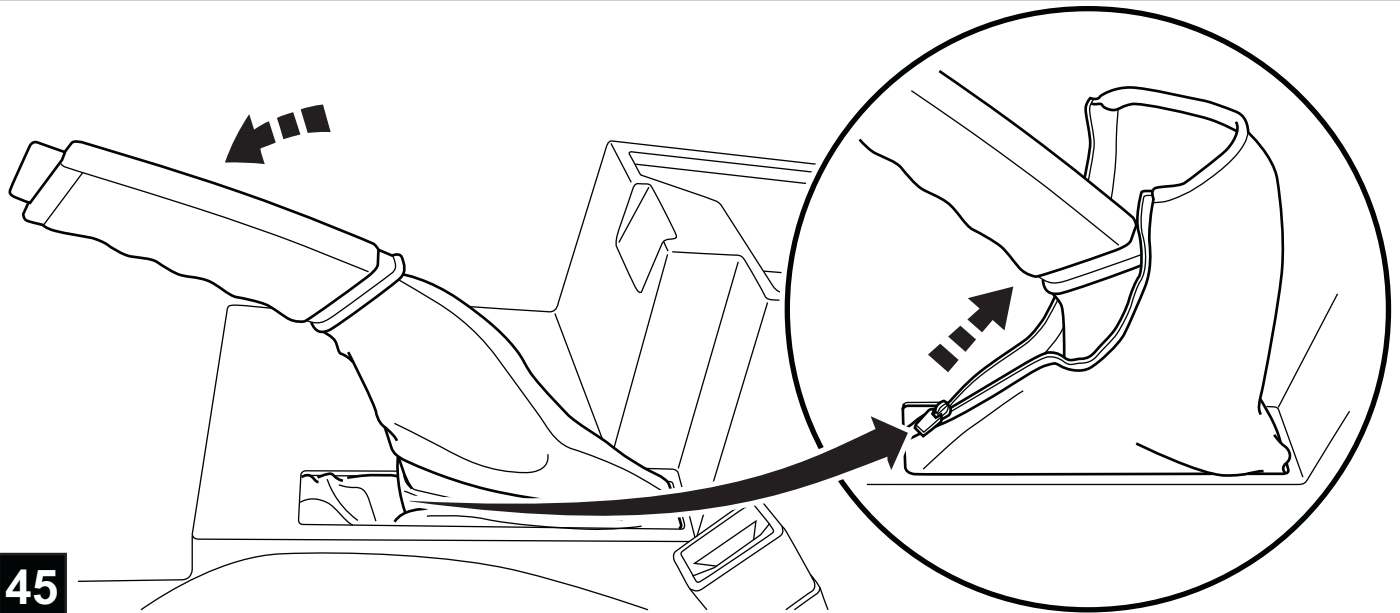




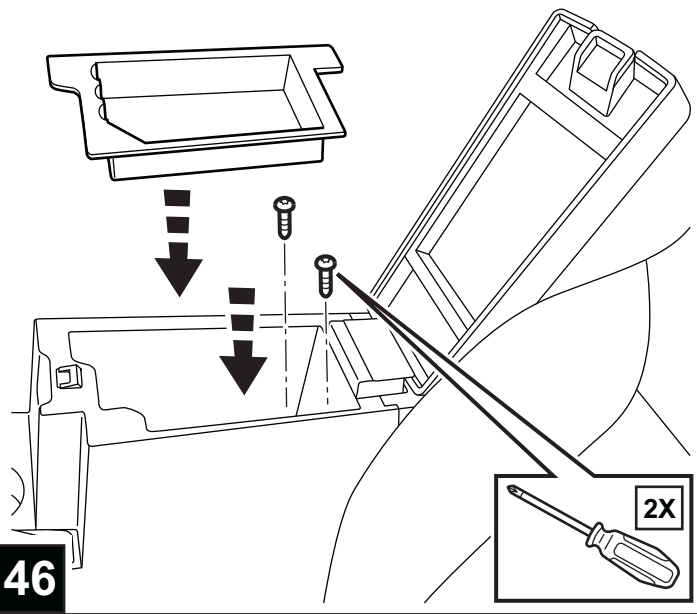
43



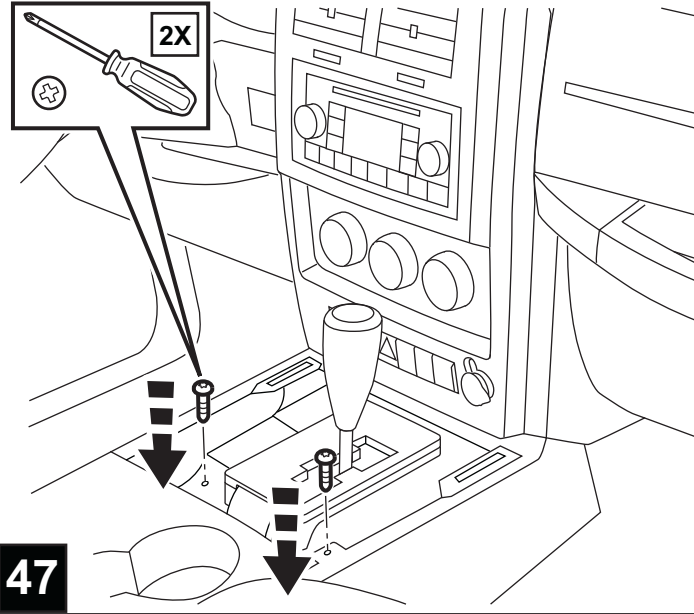
44



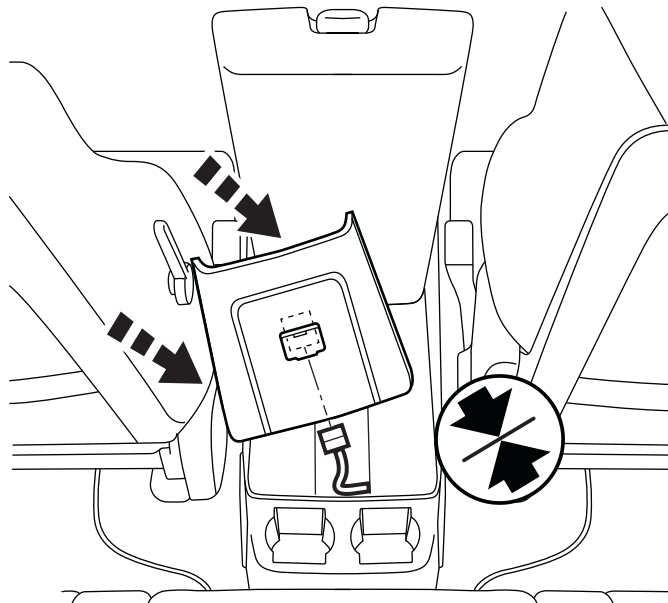
45



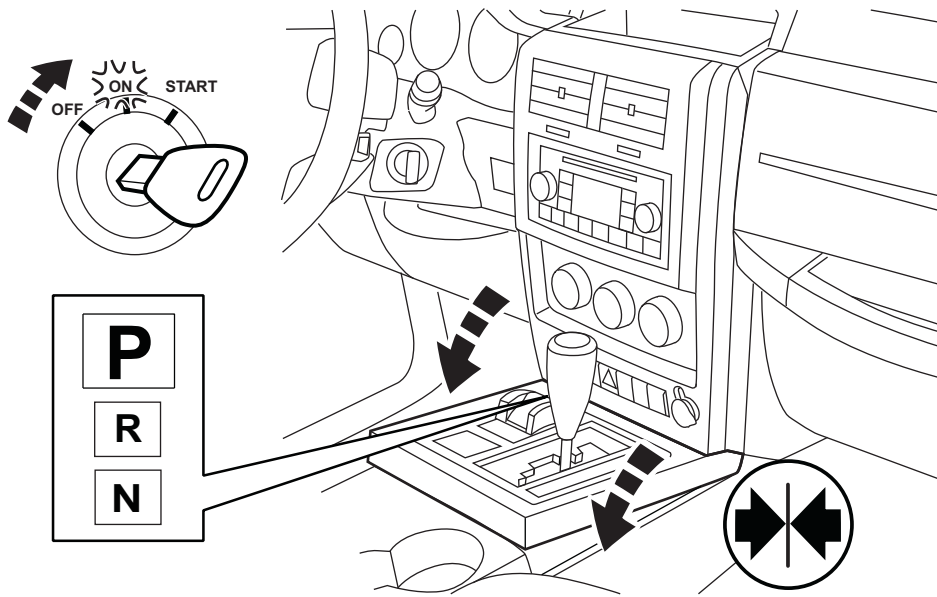
46



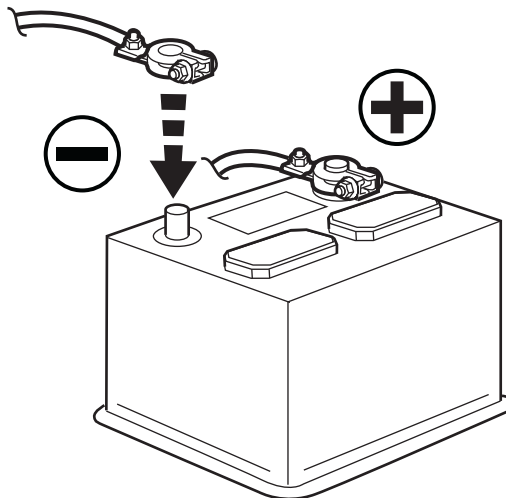
47



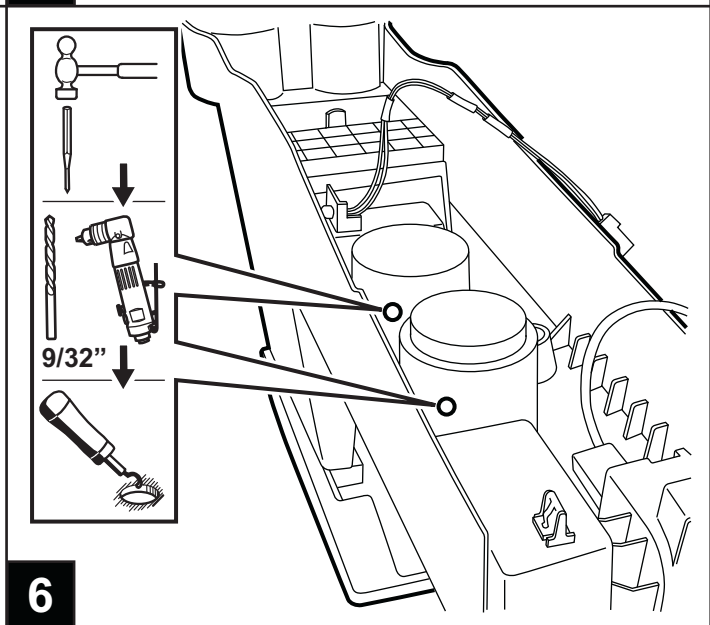
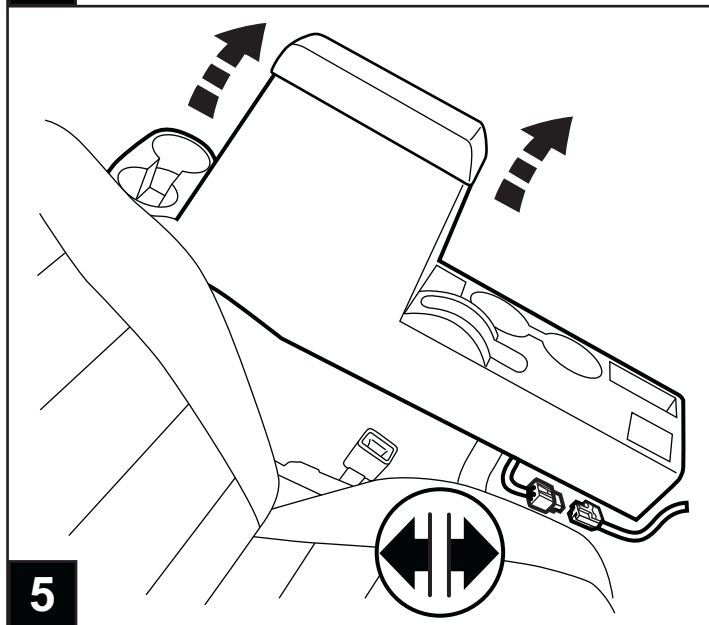
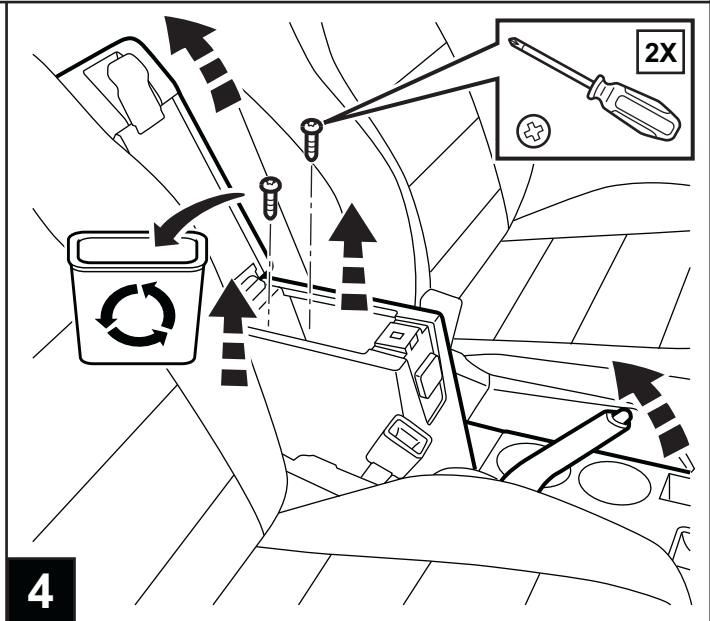
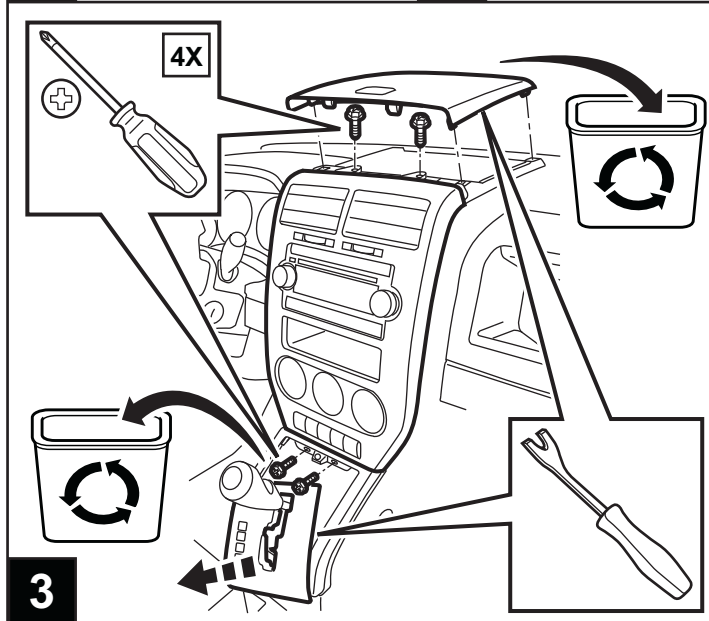
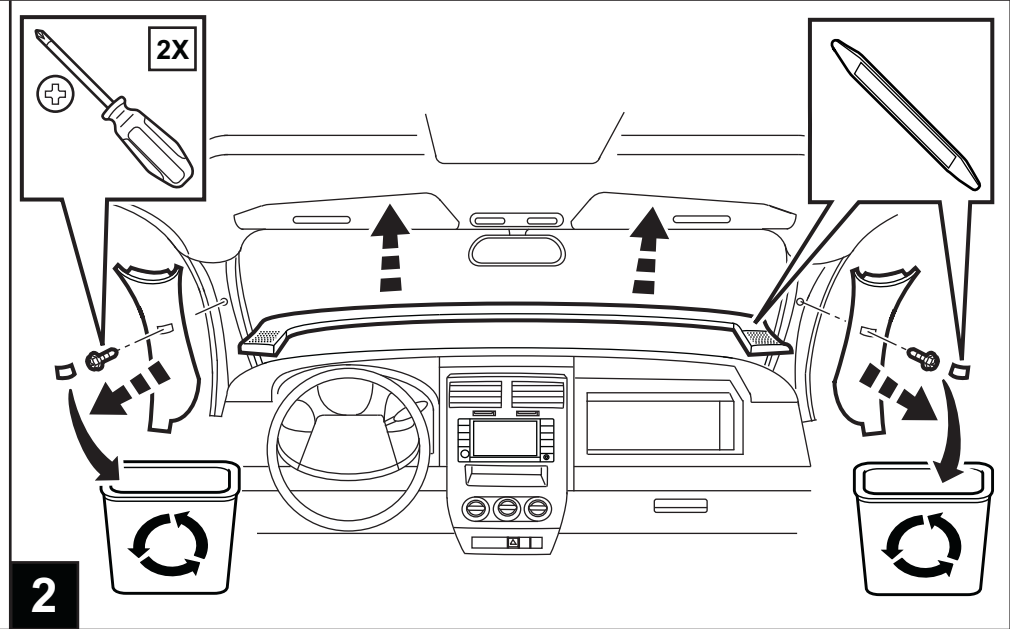
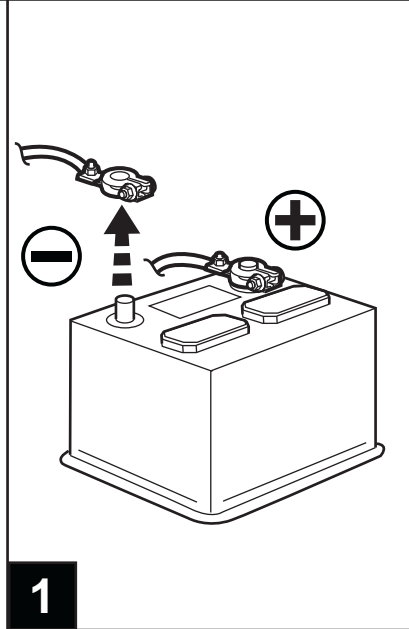
48



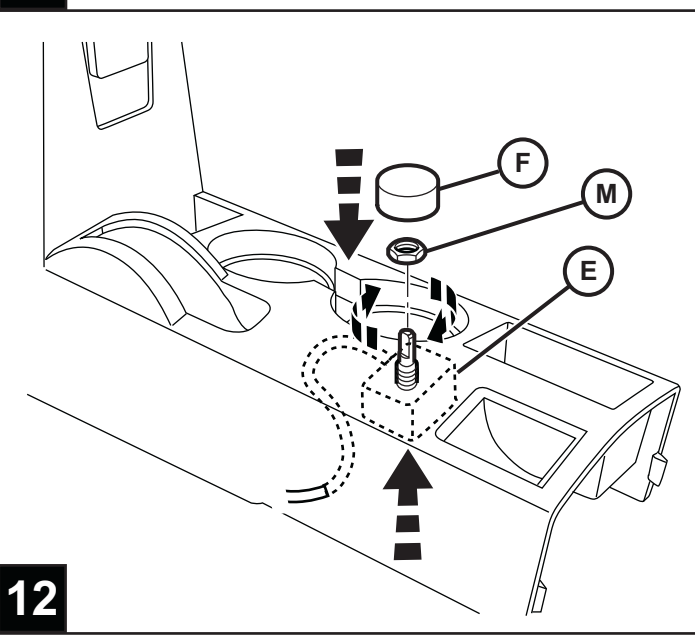
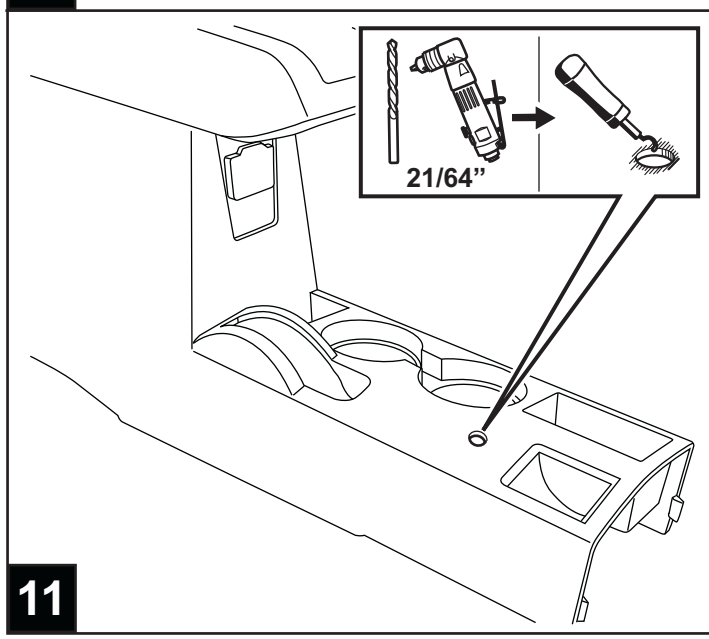
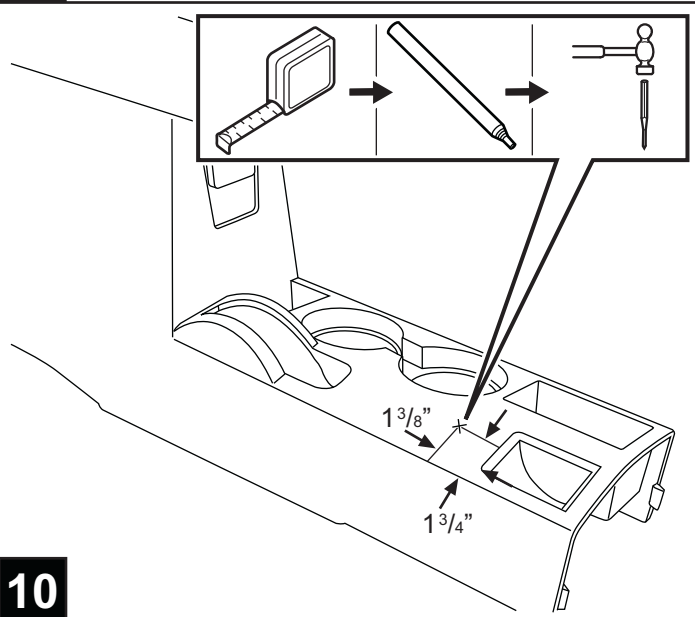
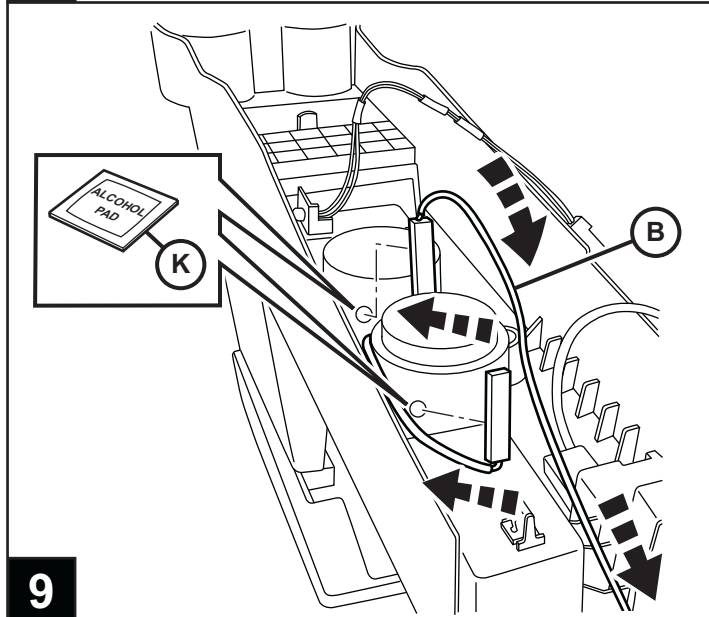
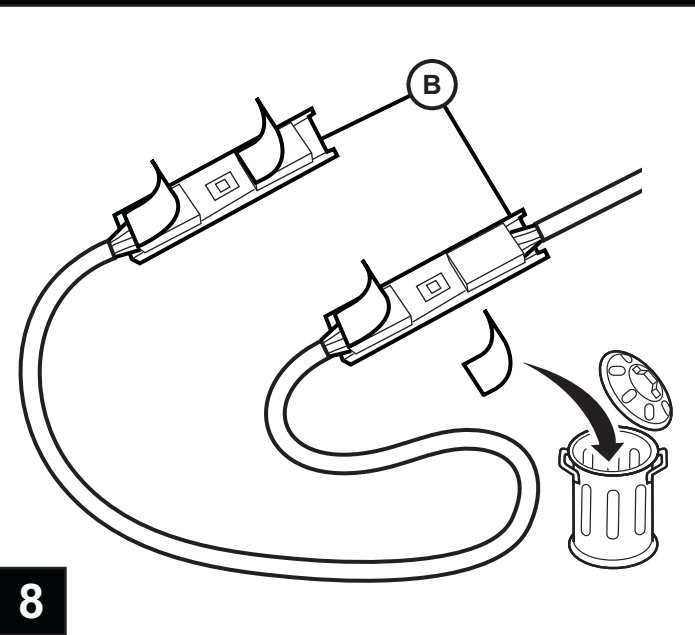
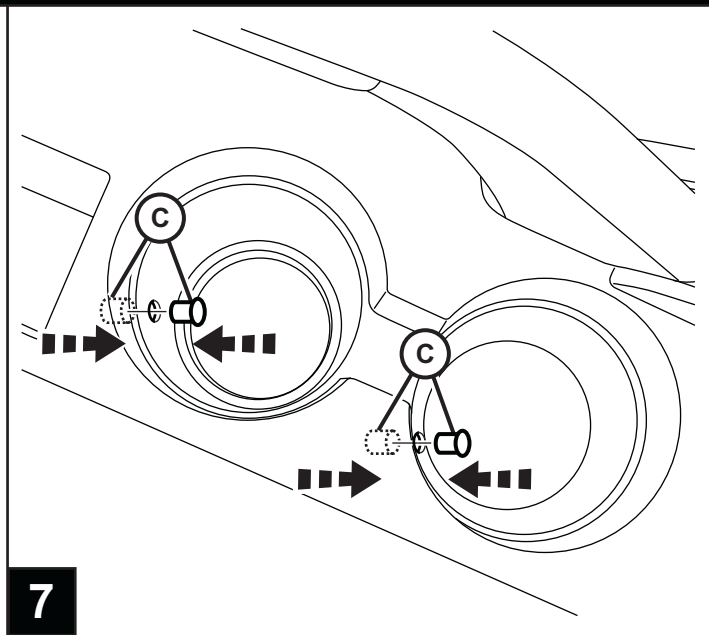
49

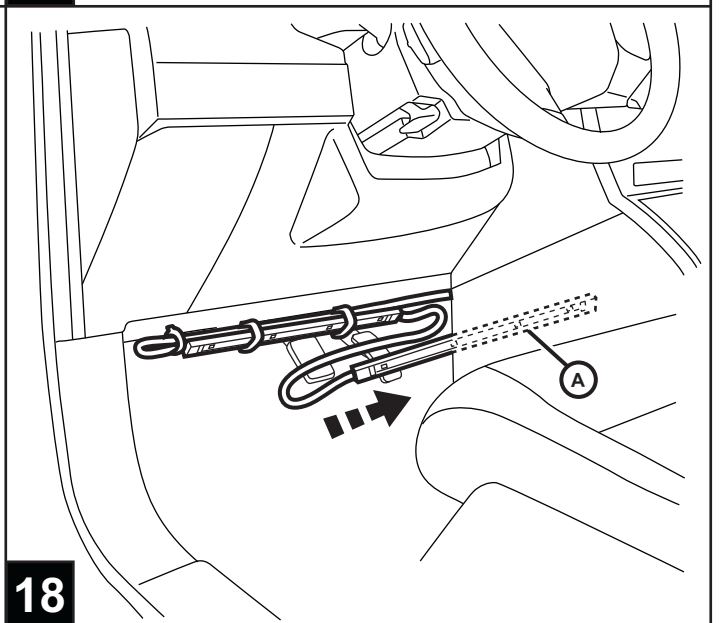
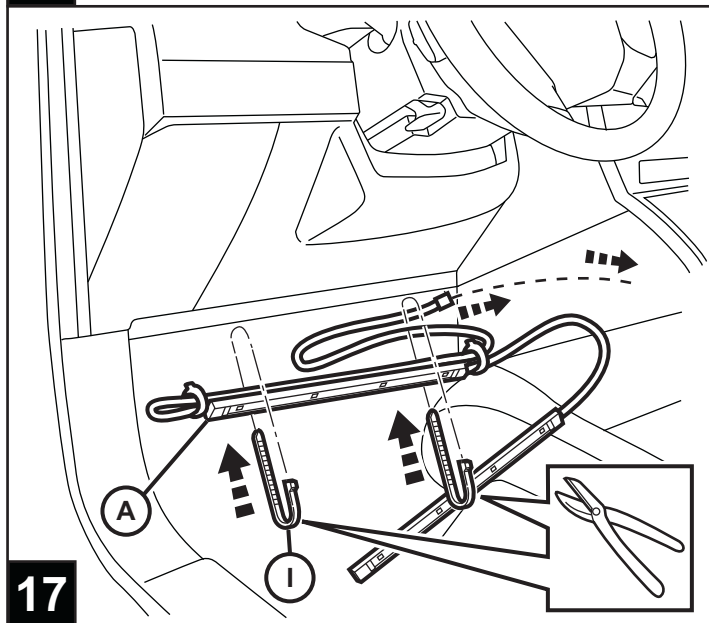
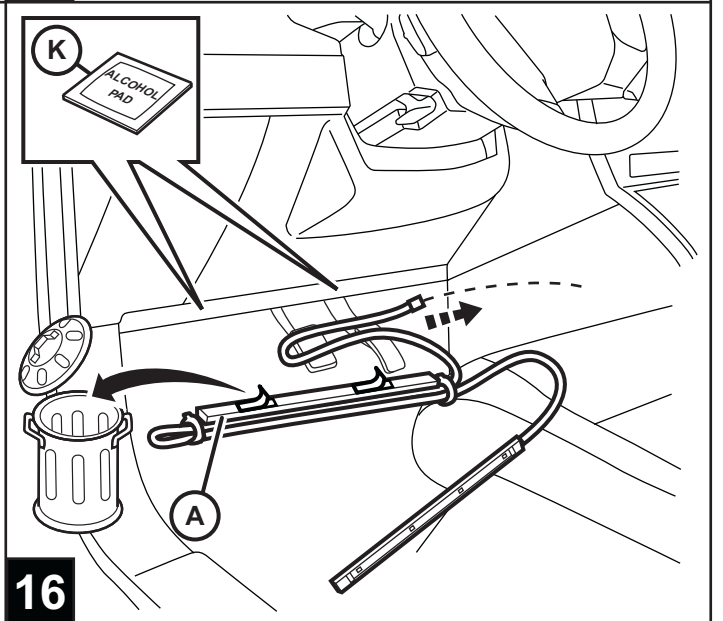
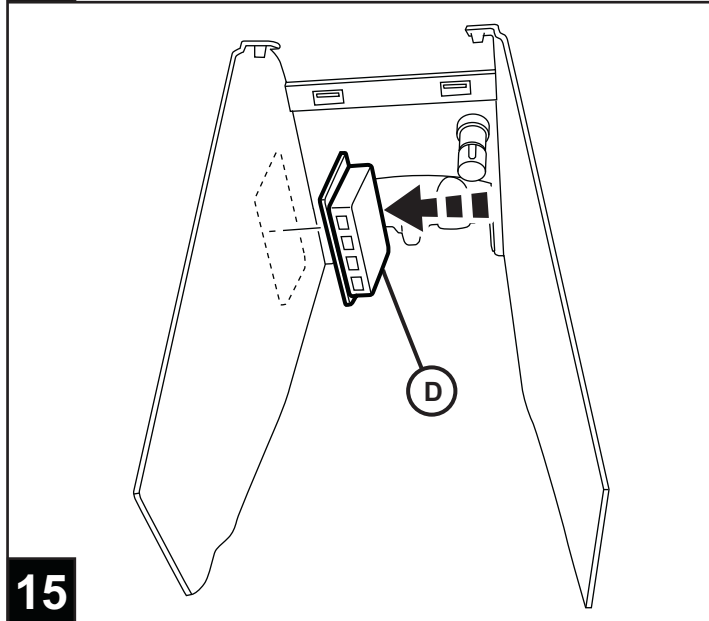
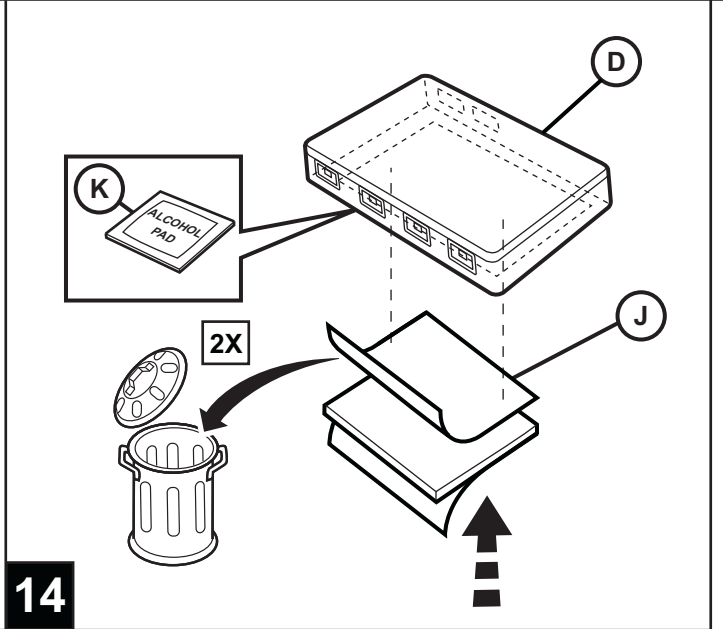
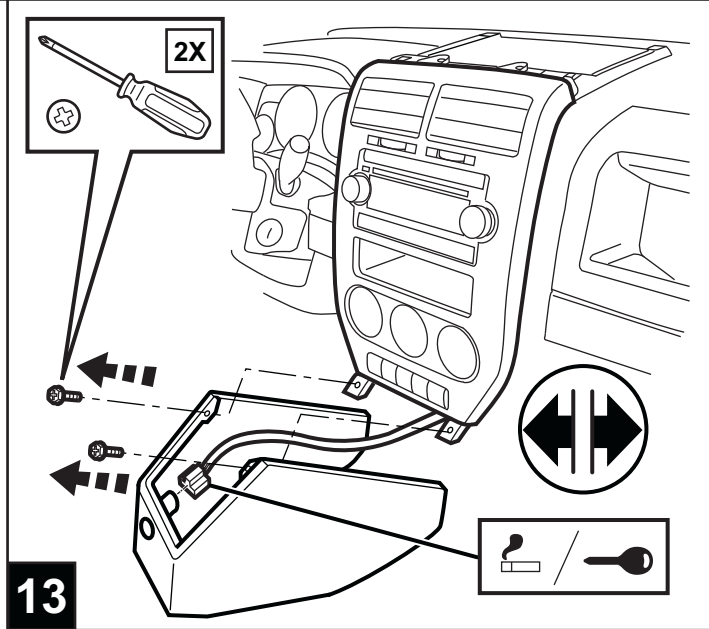


50

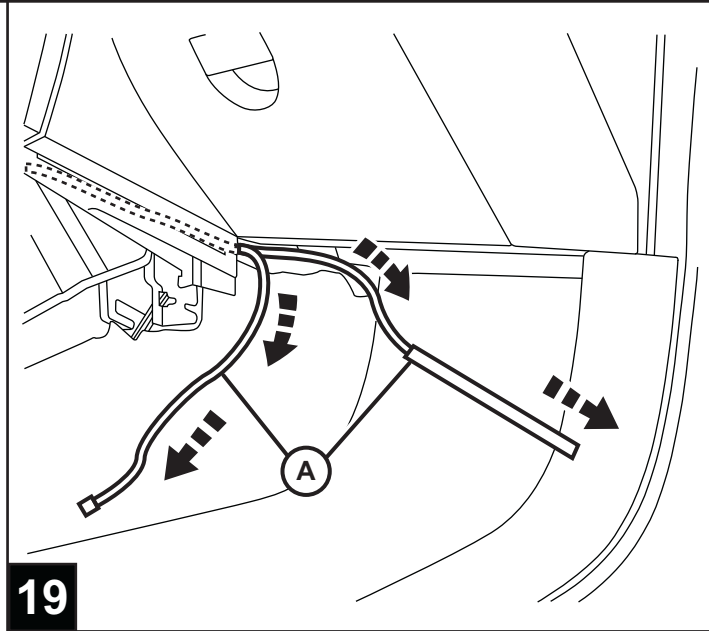


JEEP PATRIOT

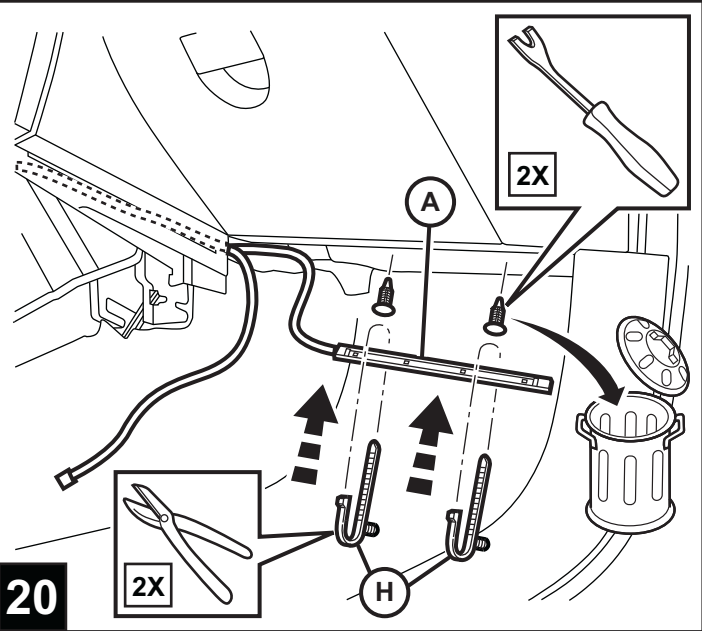




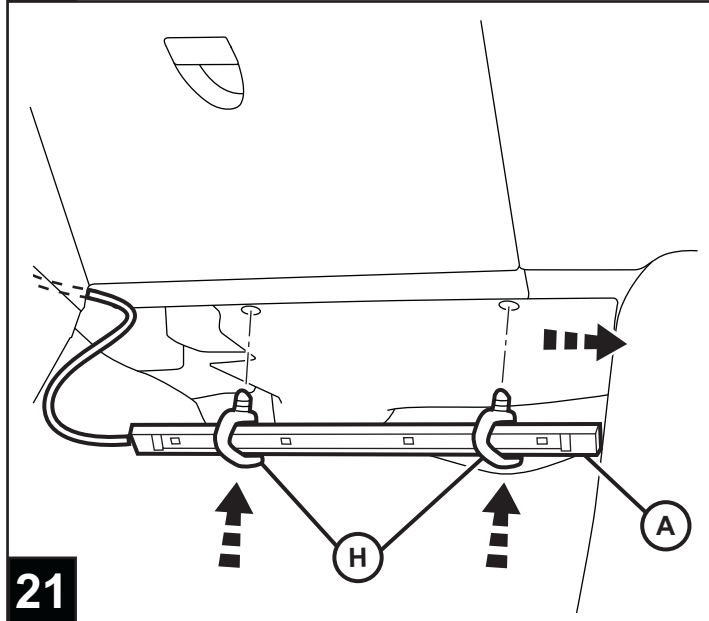
JEEP PATRIOT



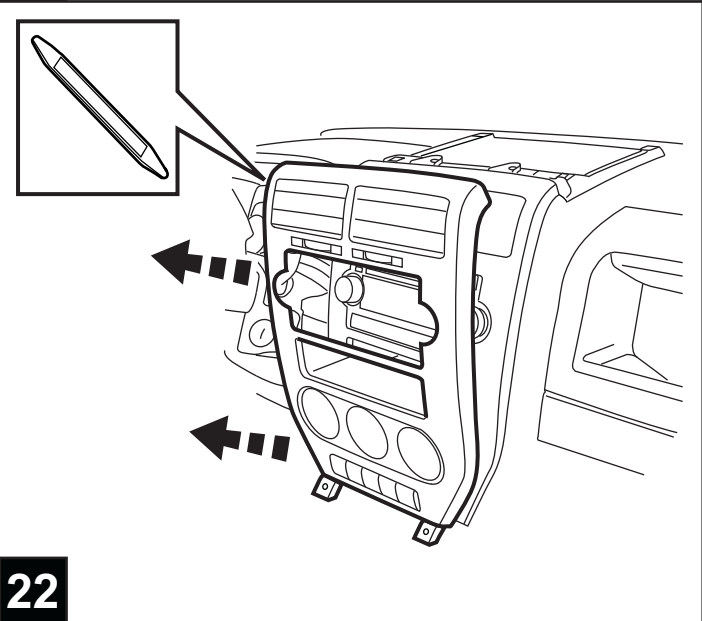
19



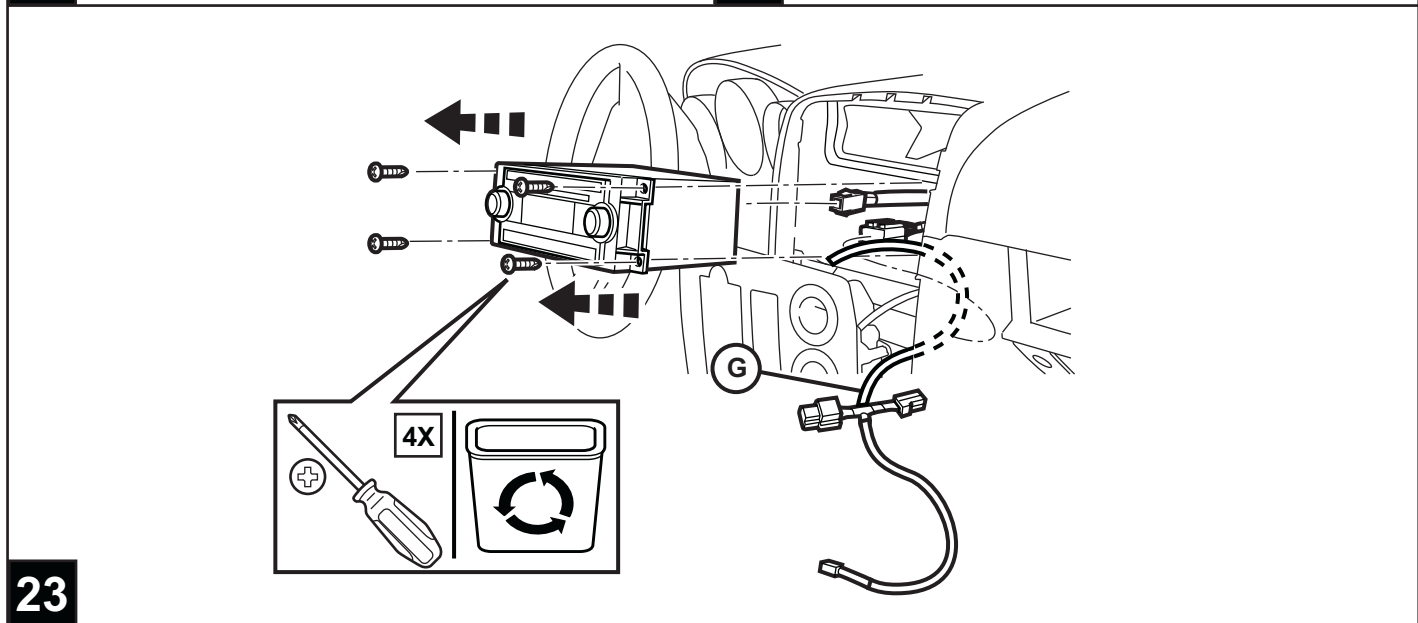
20



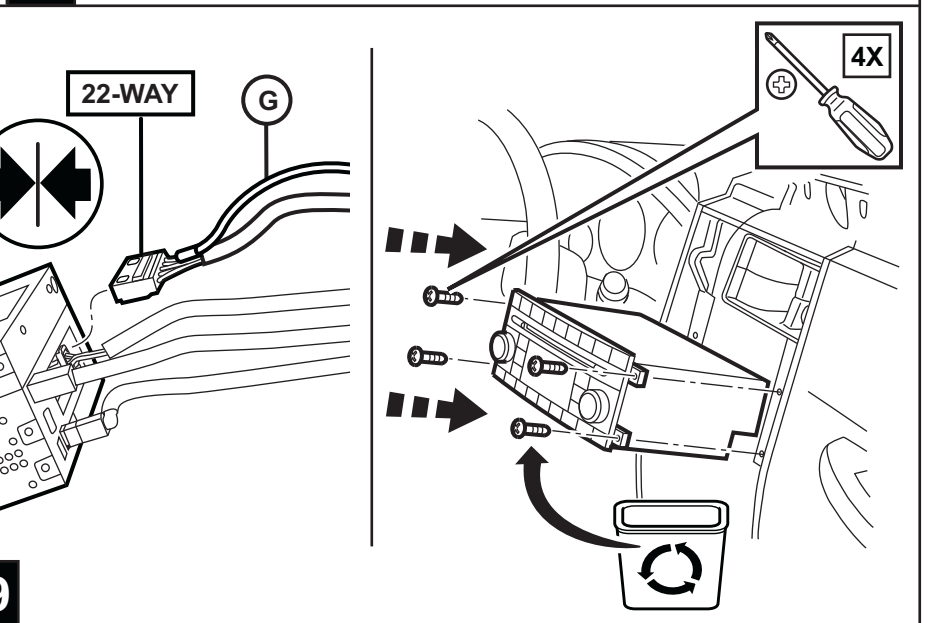
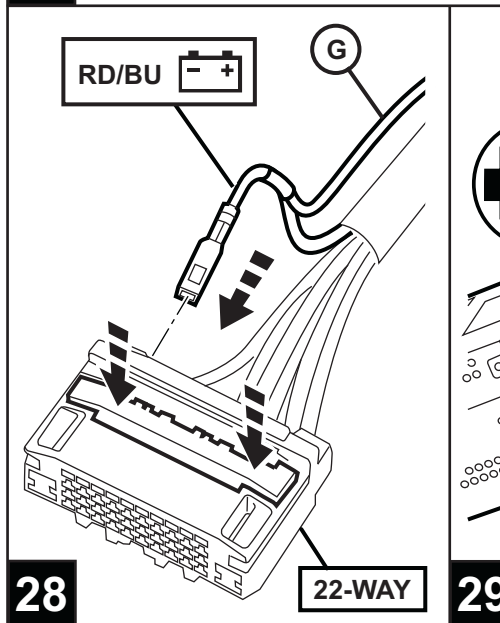
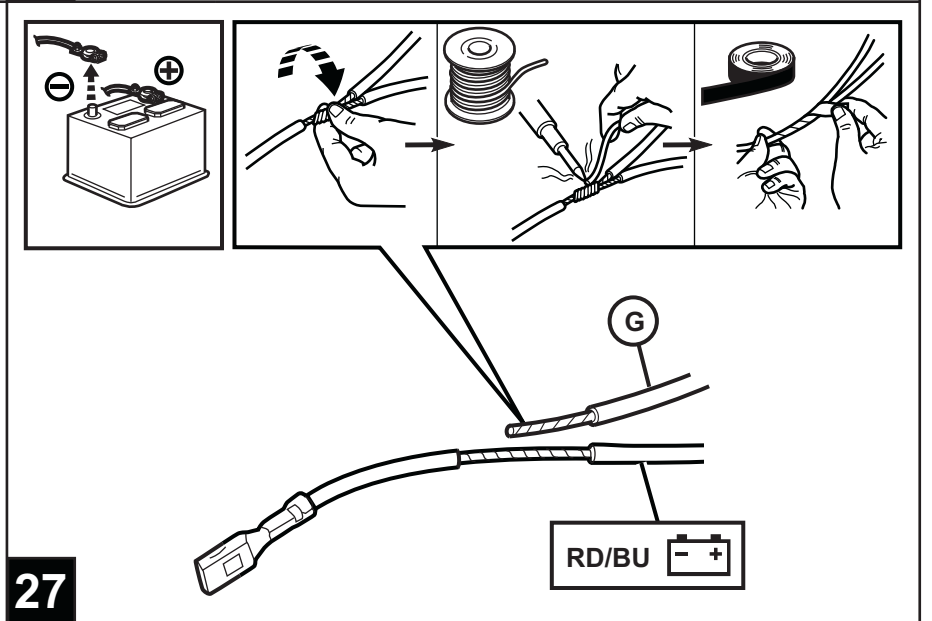
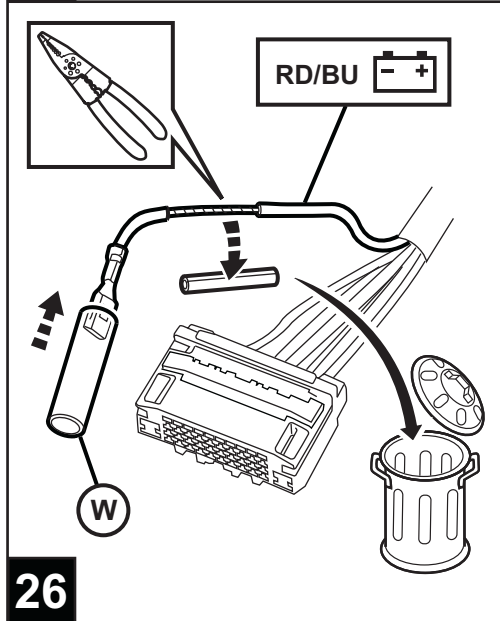
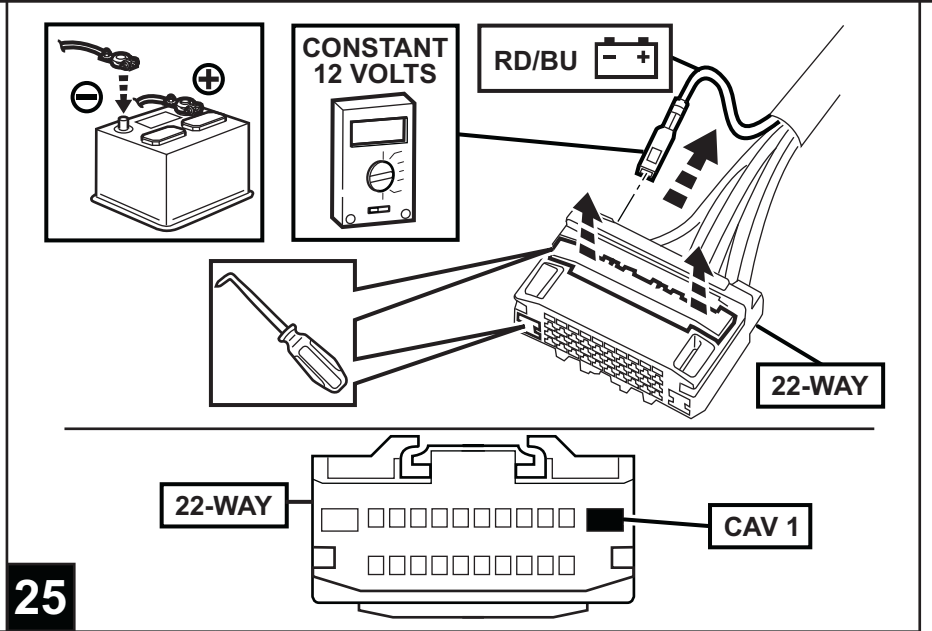
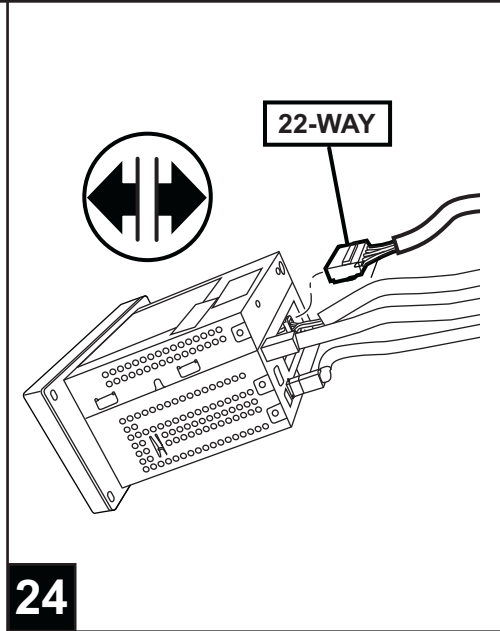
21

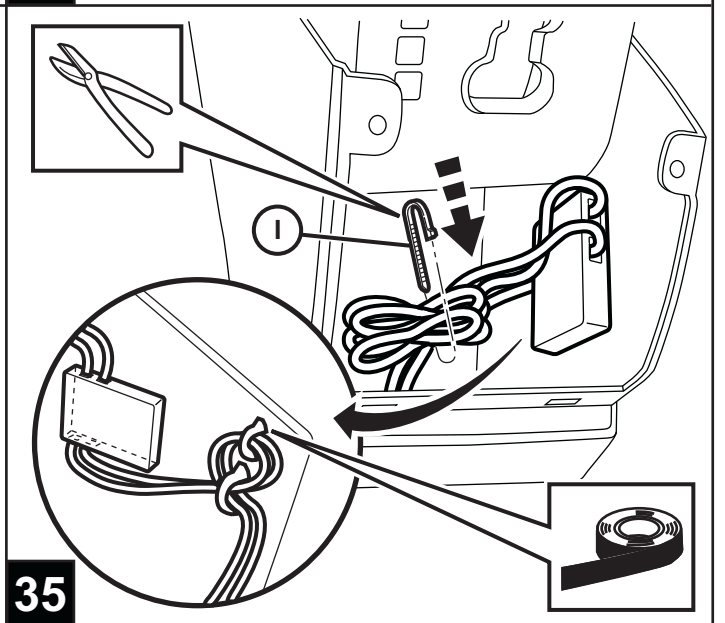
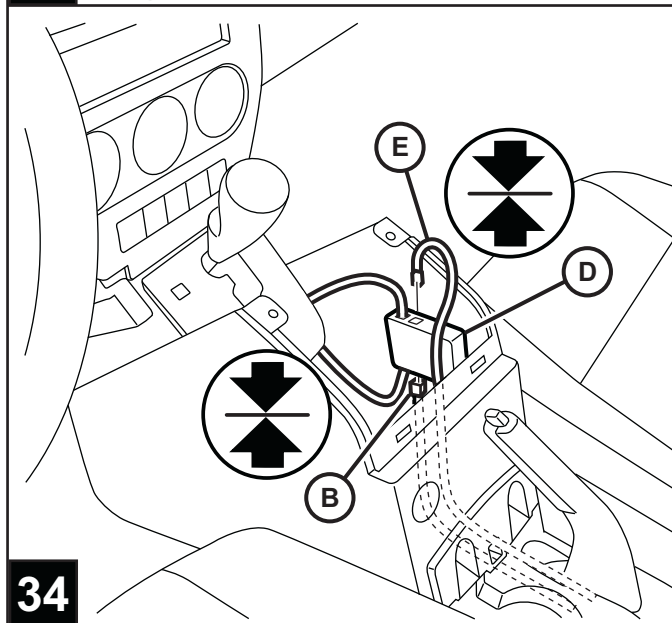
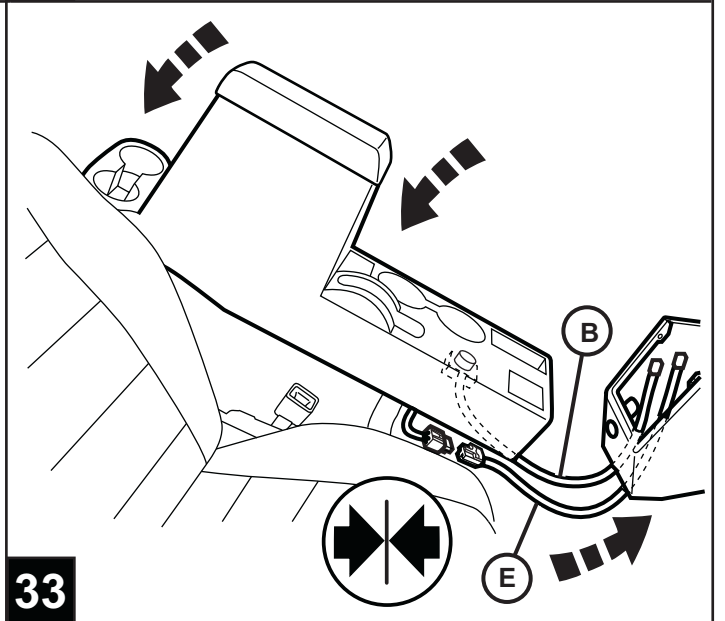
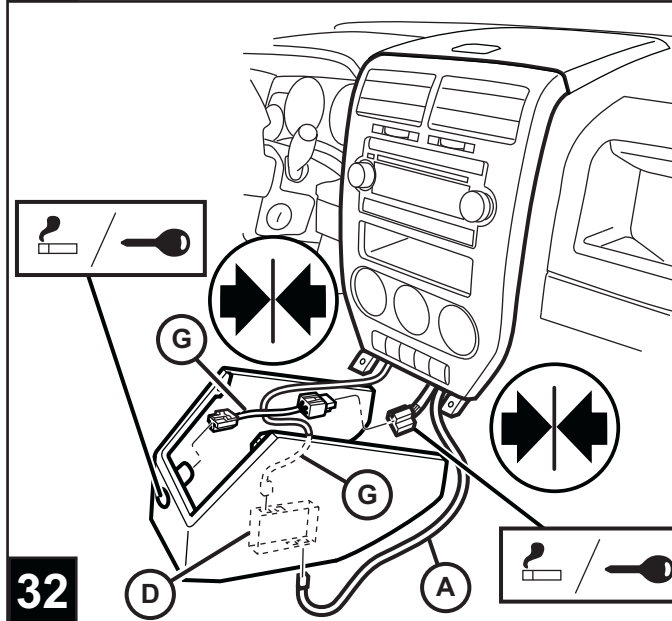
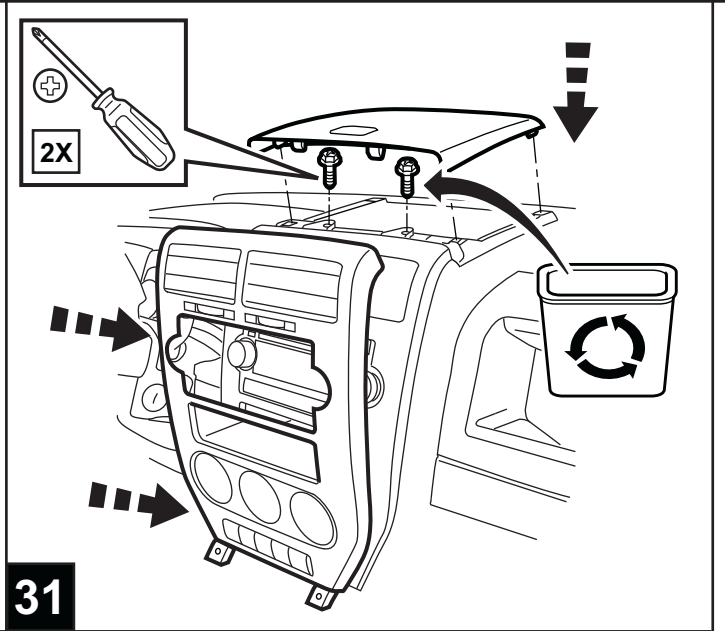
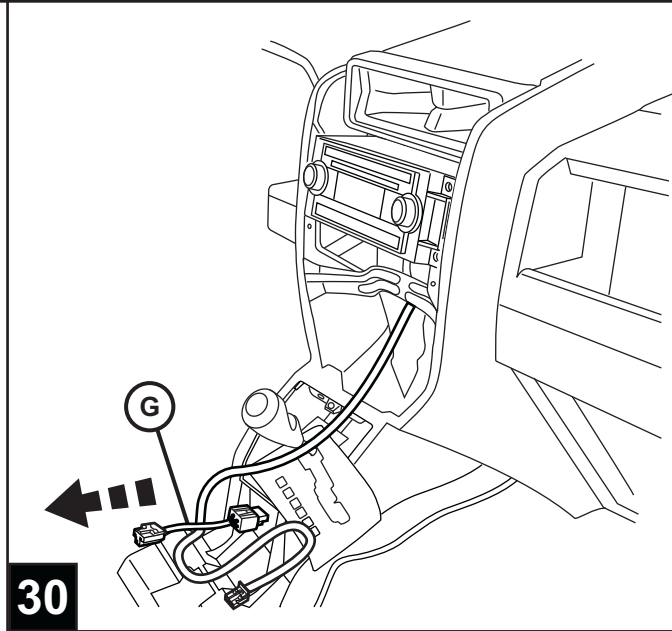


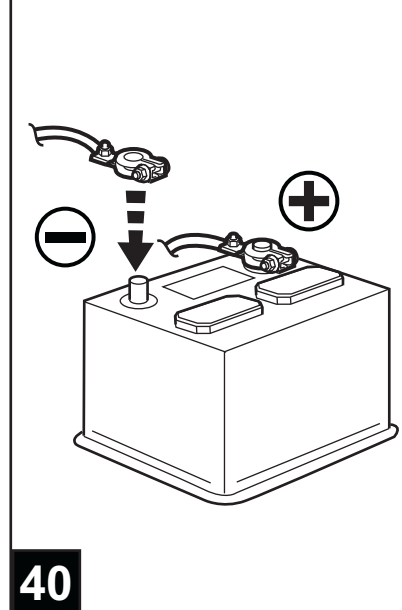
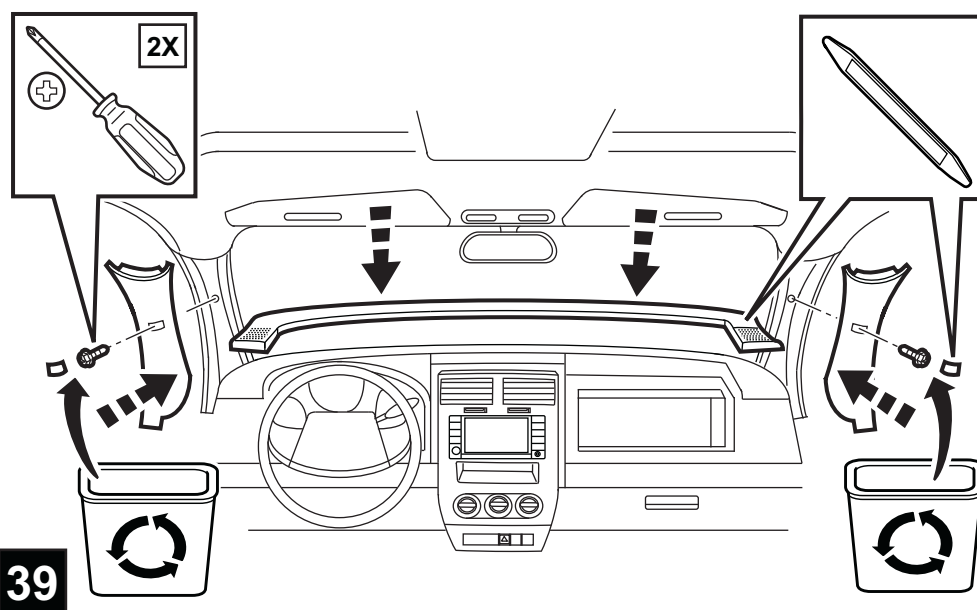
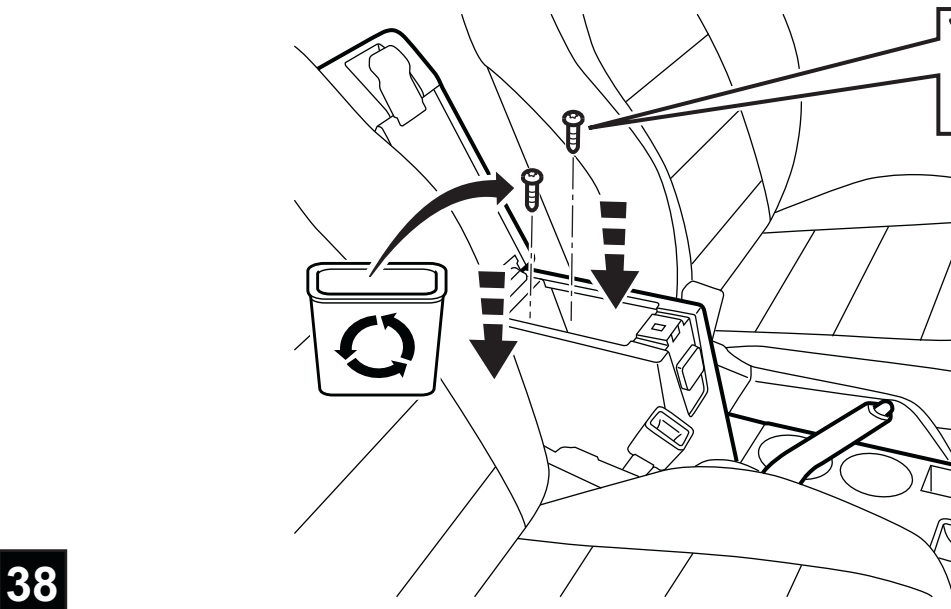
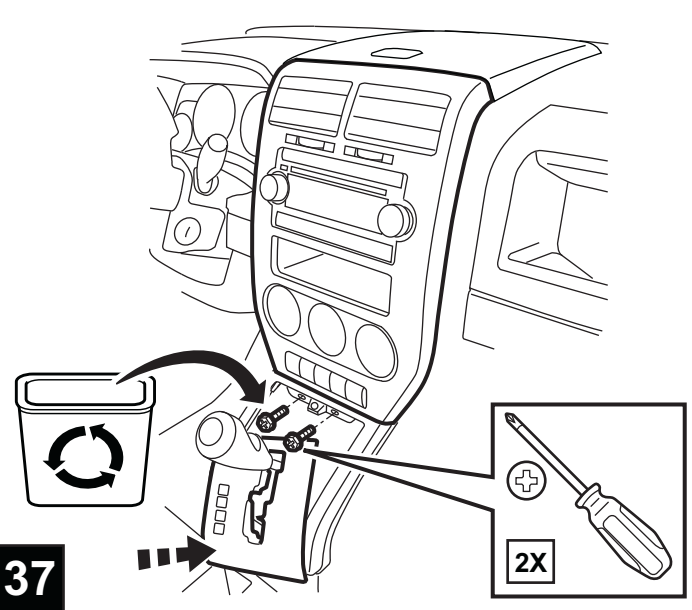
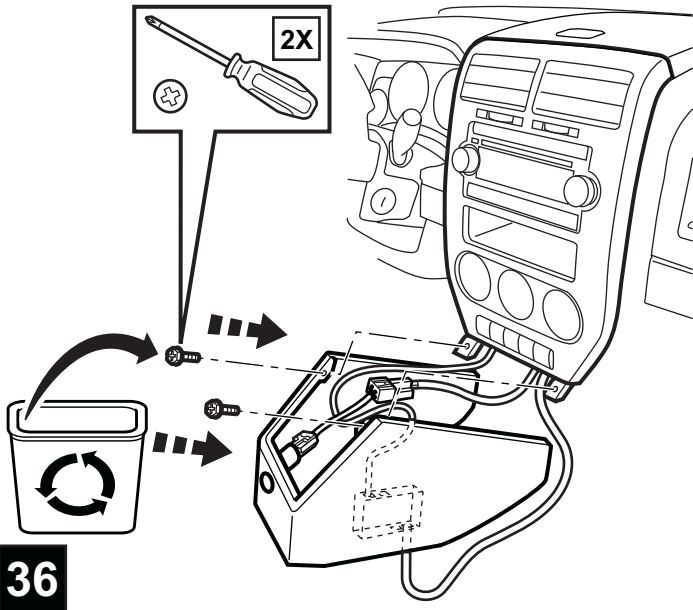
22



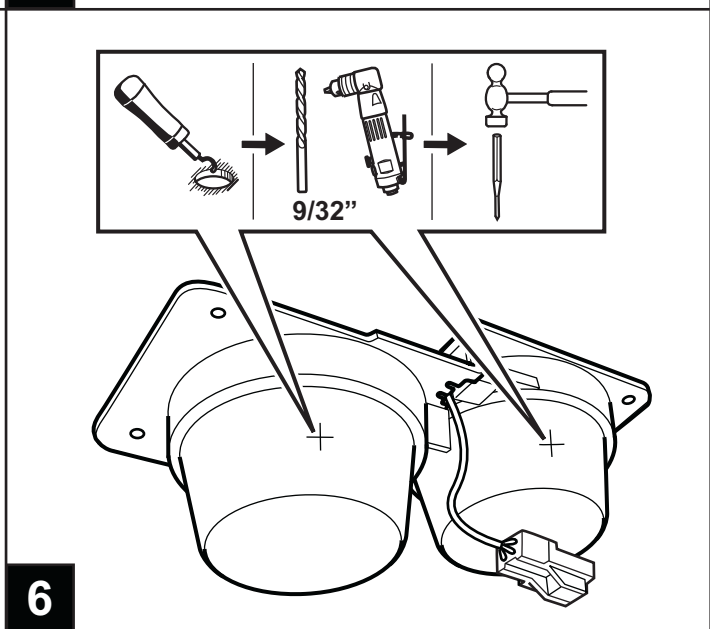
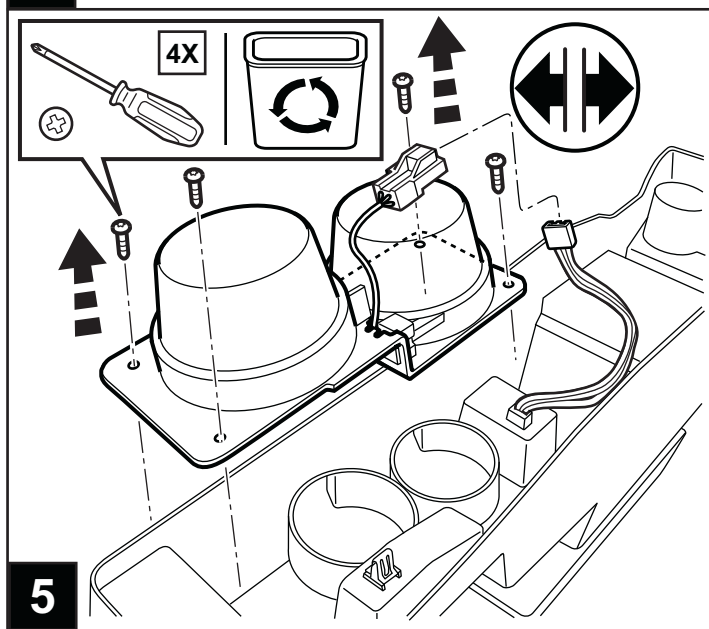
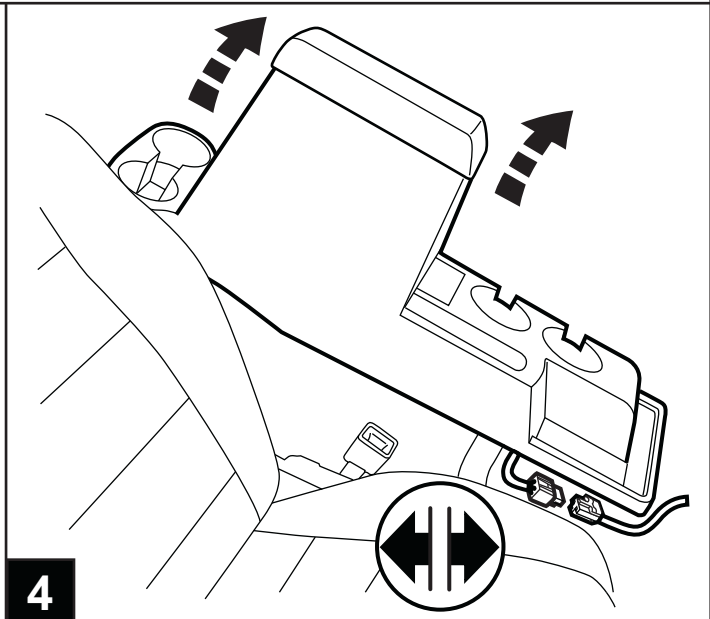
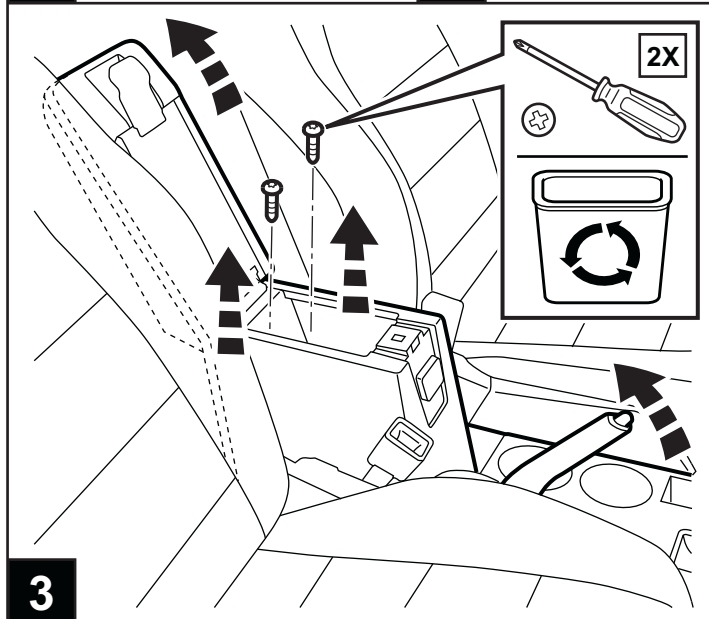
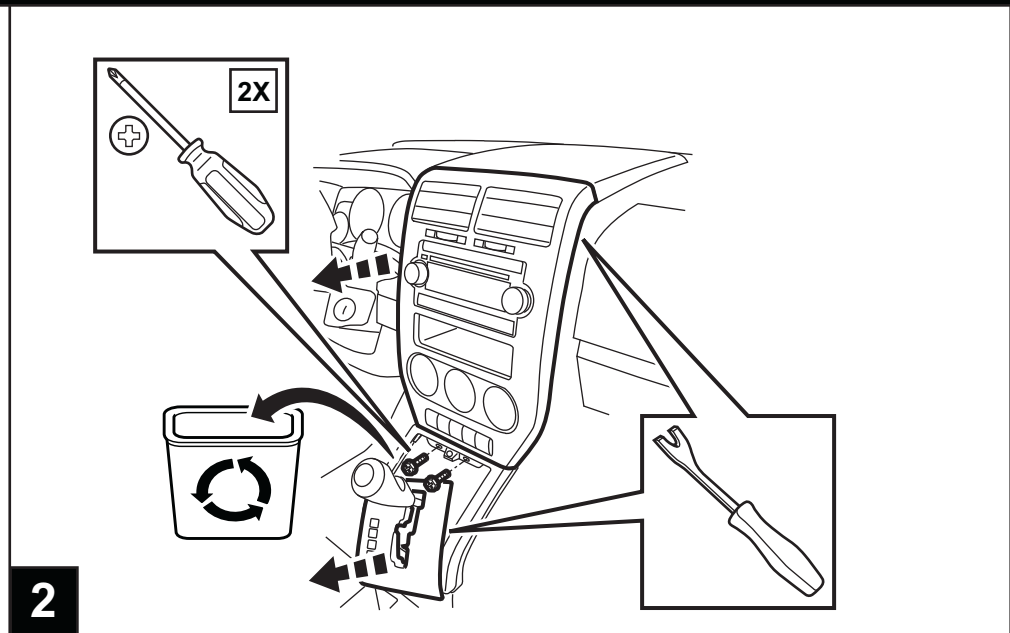
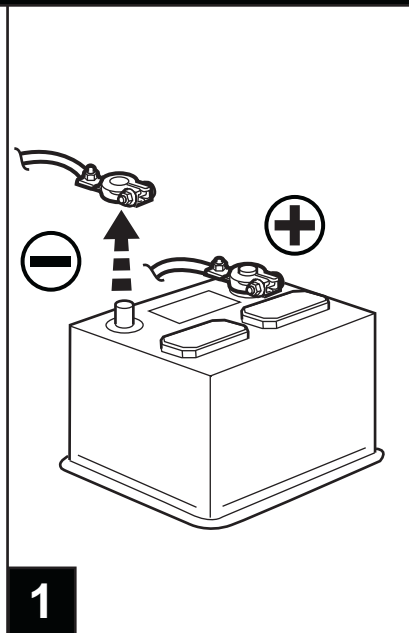
23

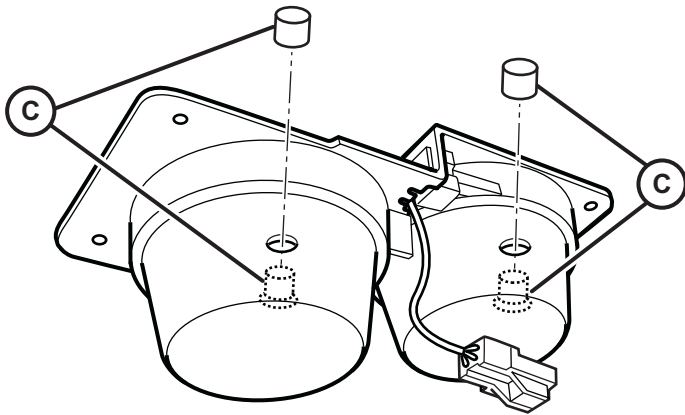




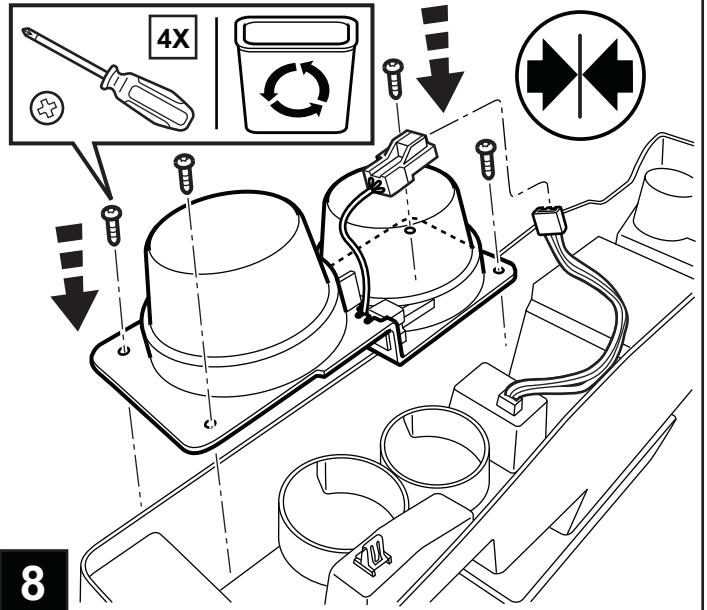


DODGE CALIBER

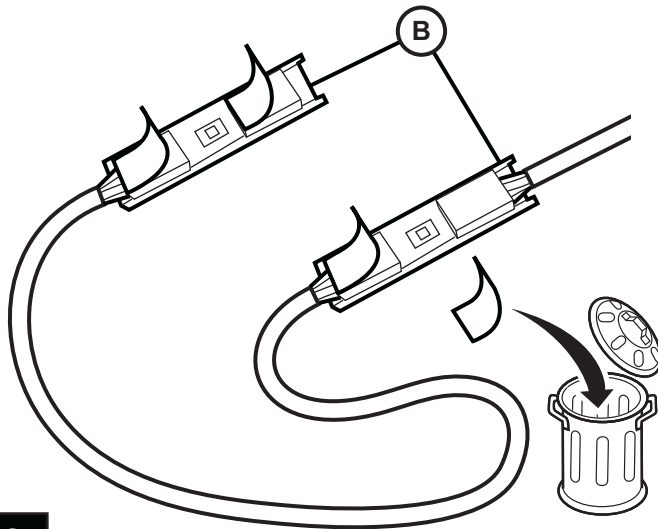




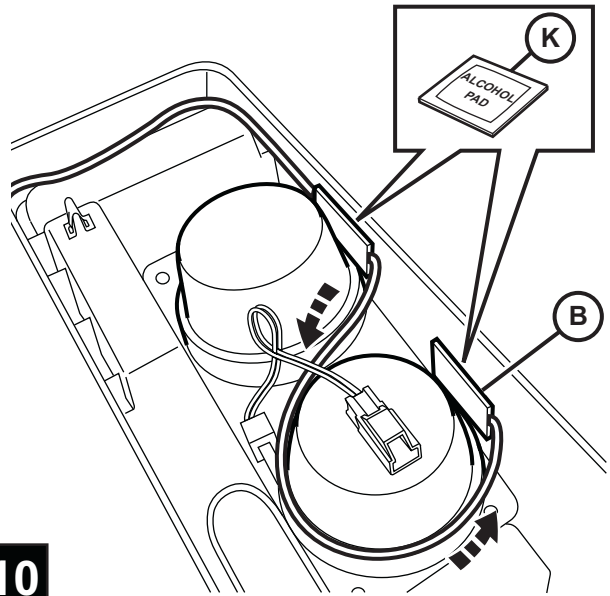
7



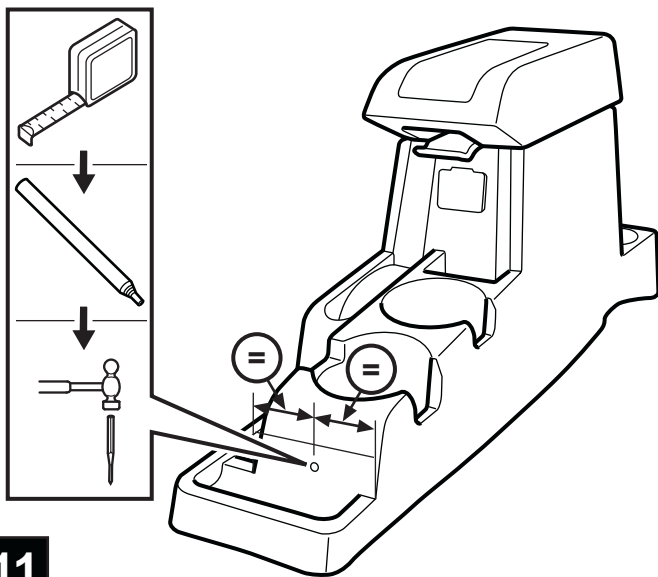
8



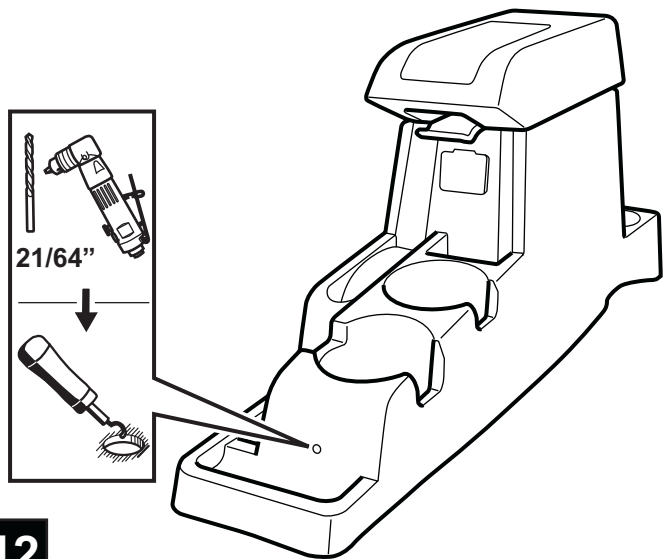
9



10

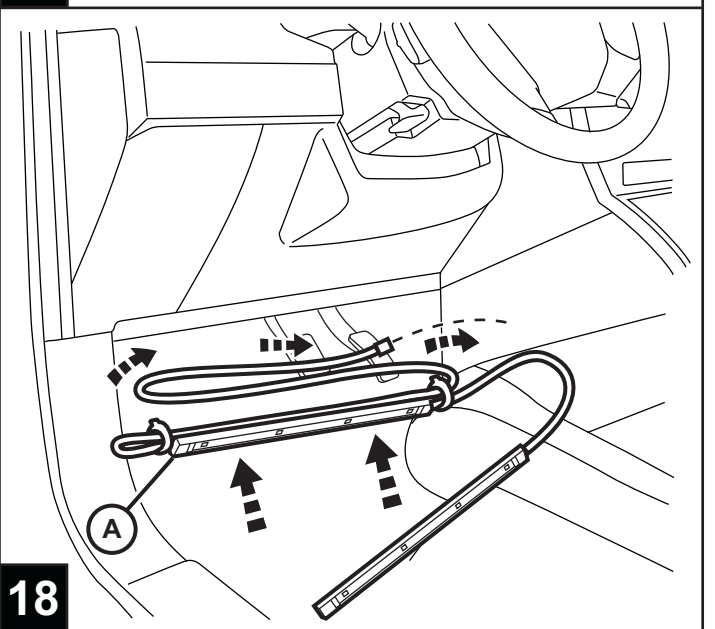
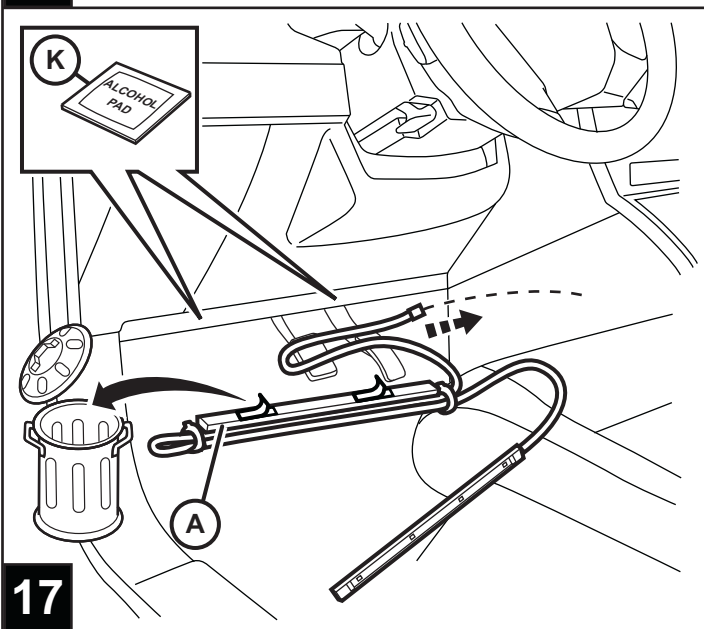
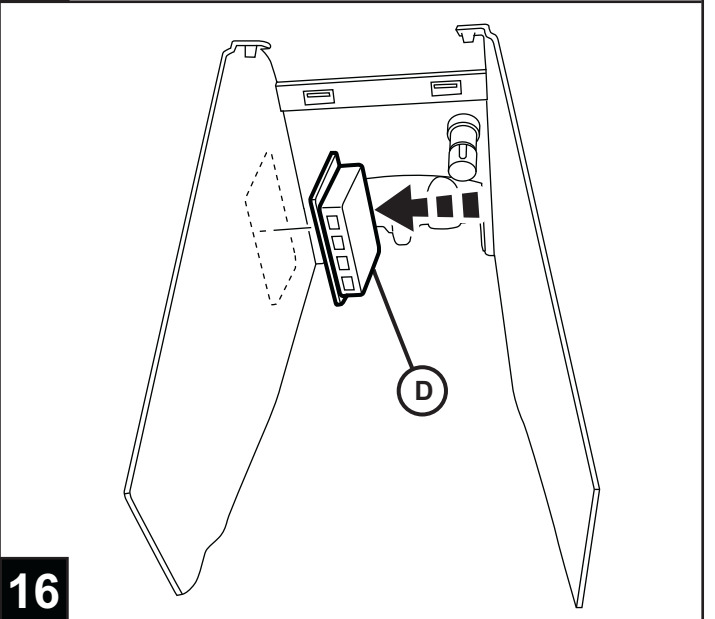
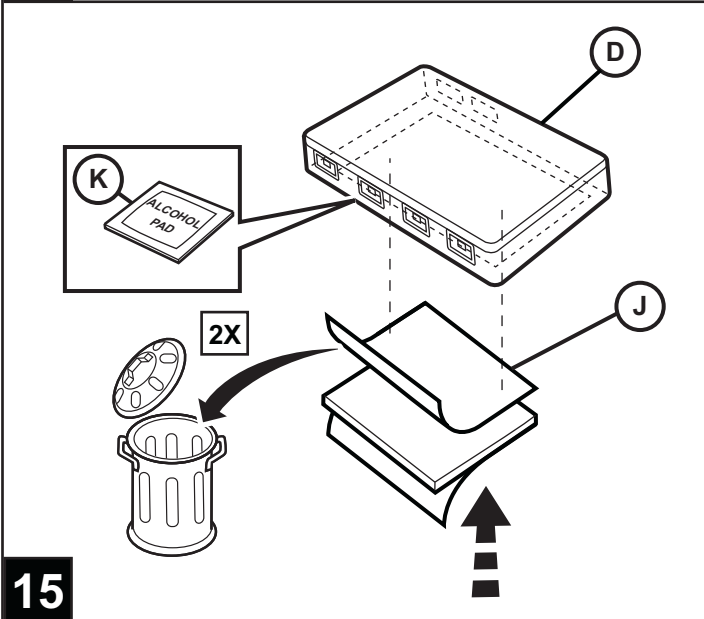
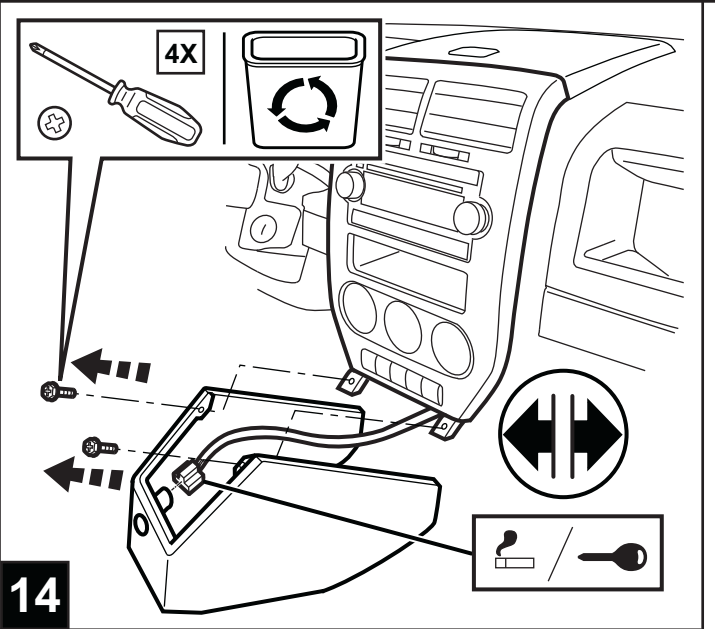
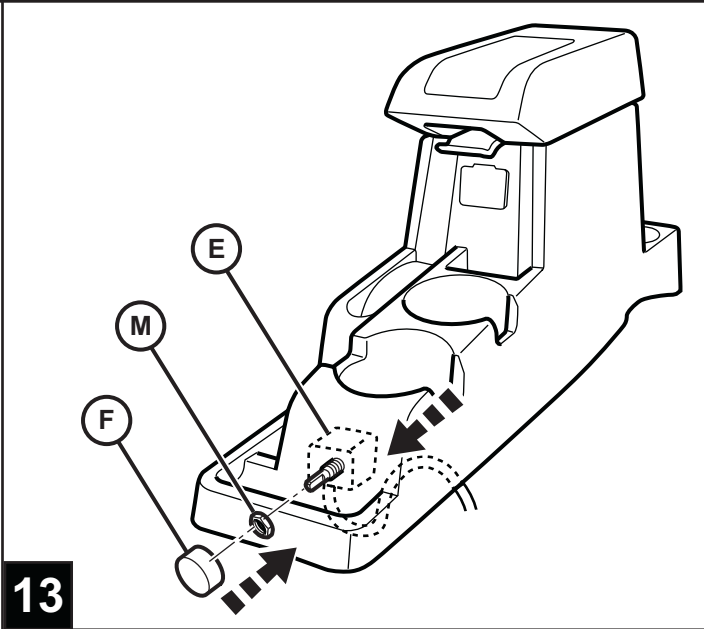


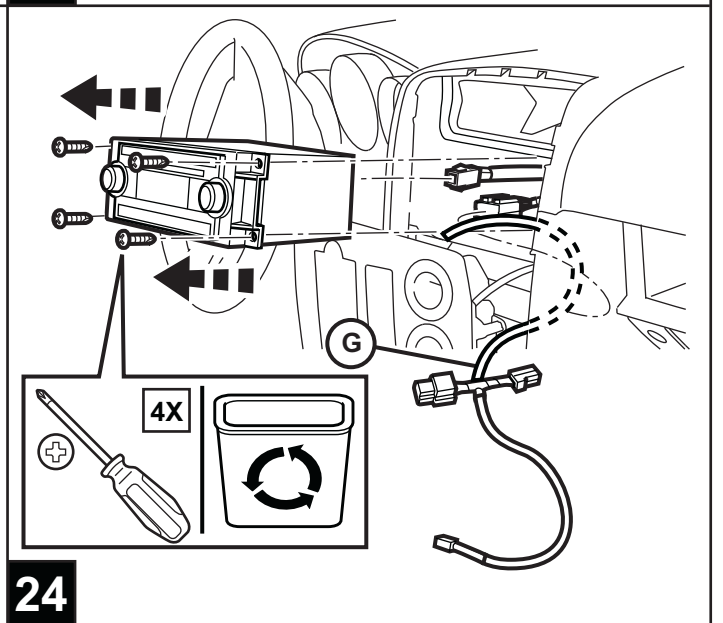
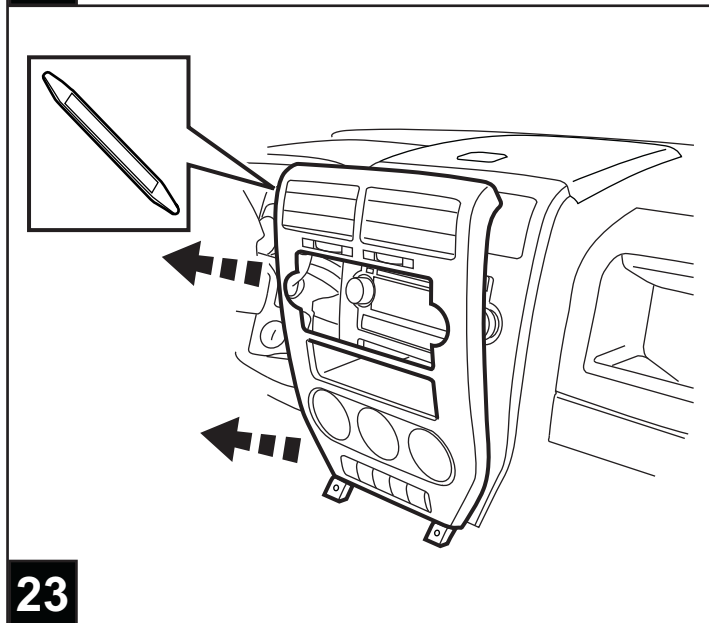
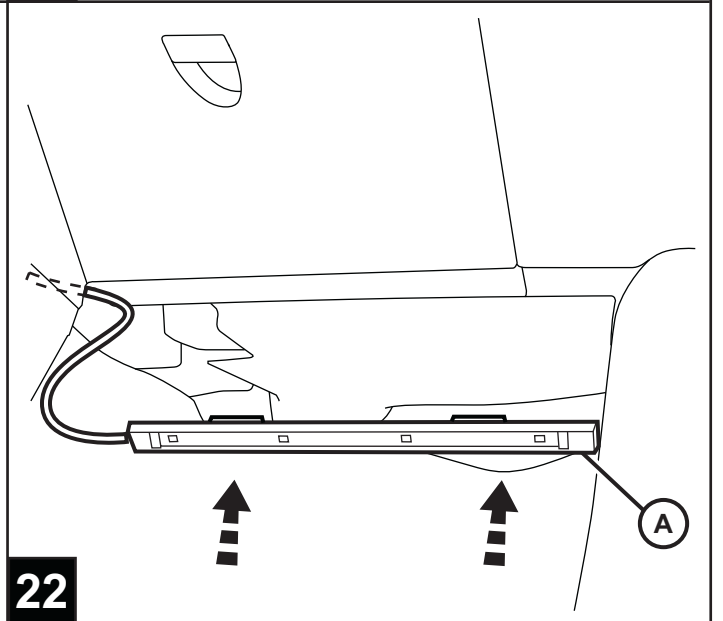
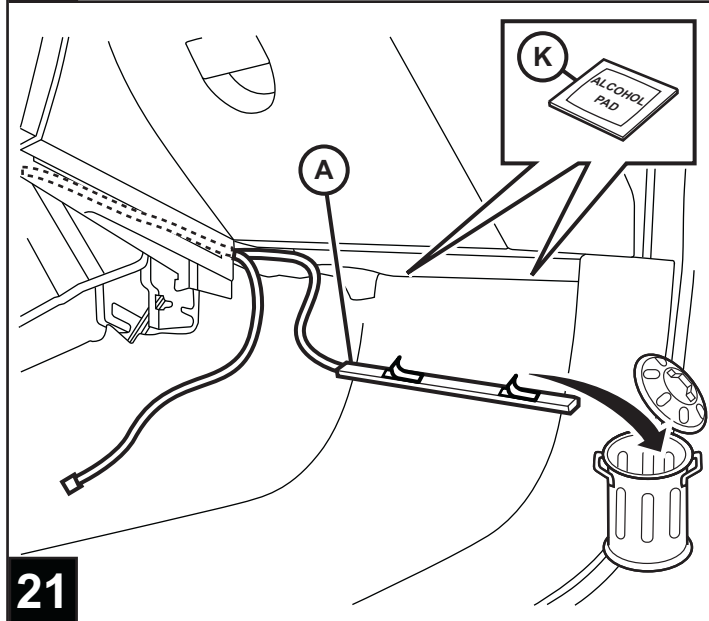
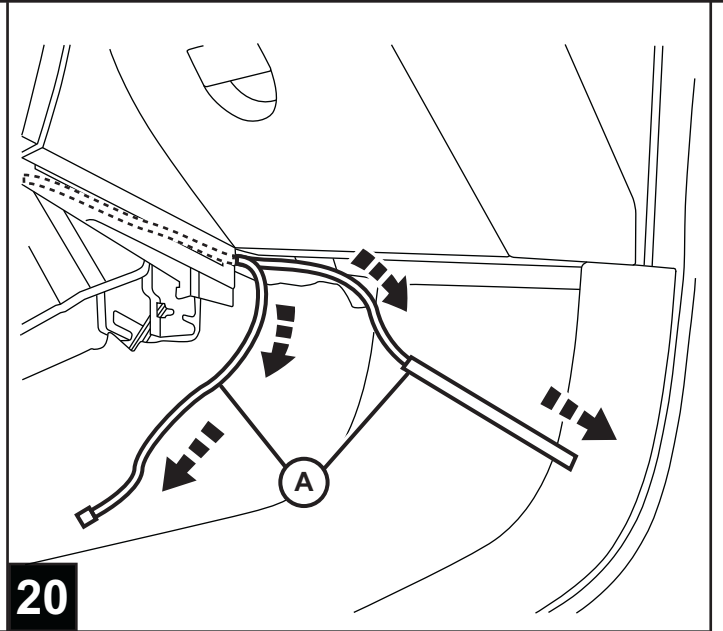
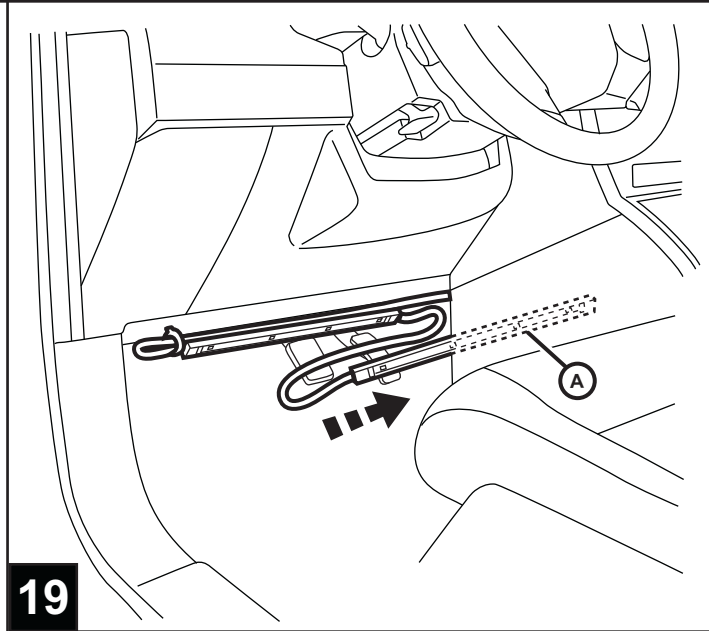
11



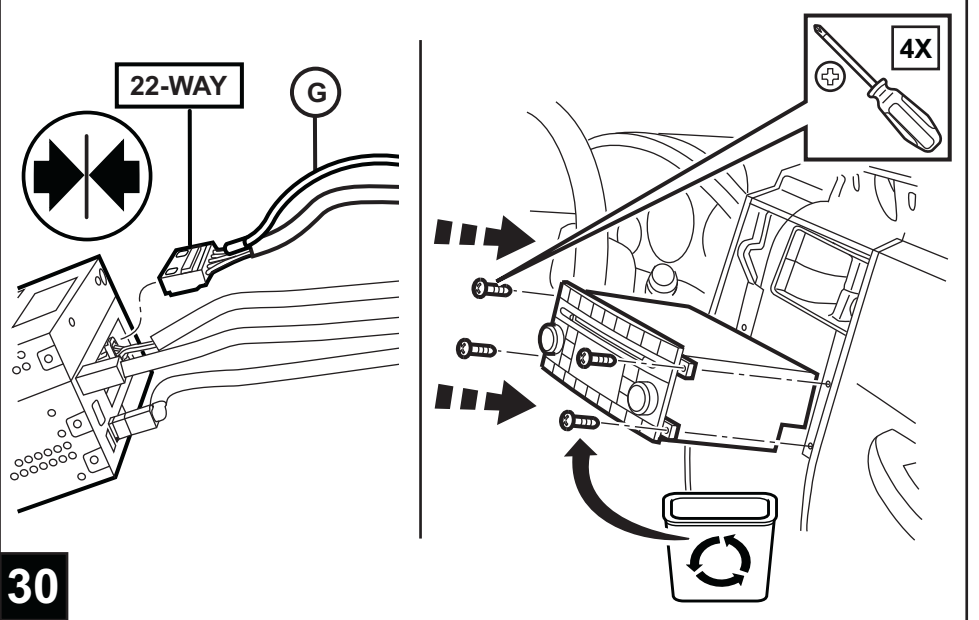
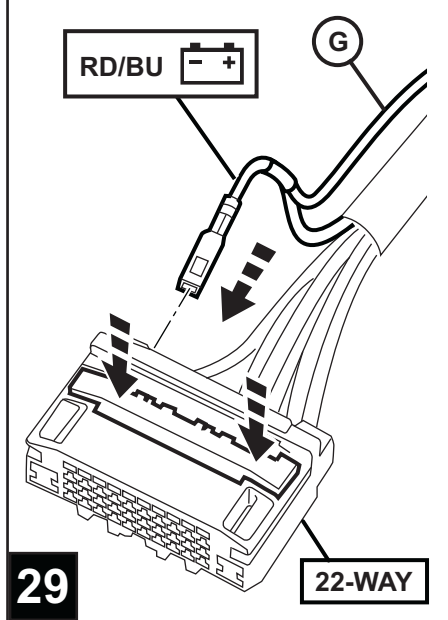
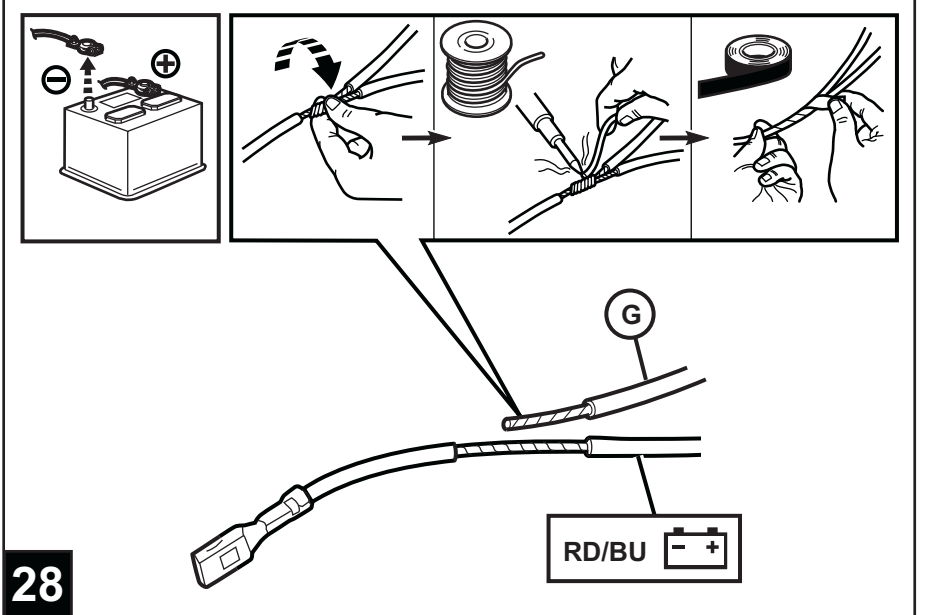
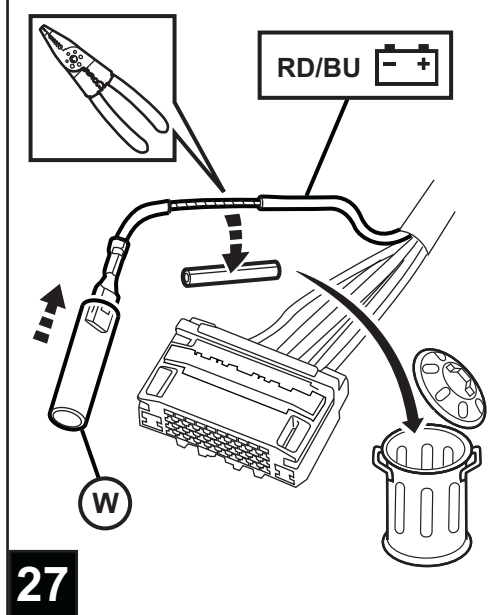
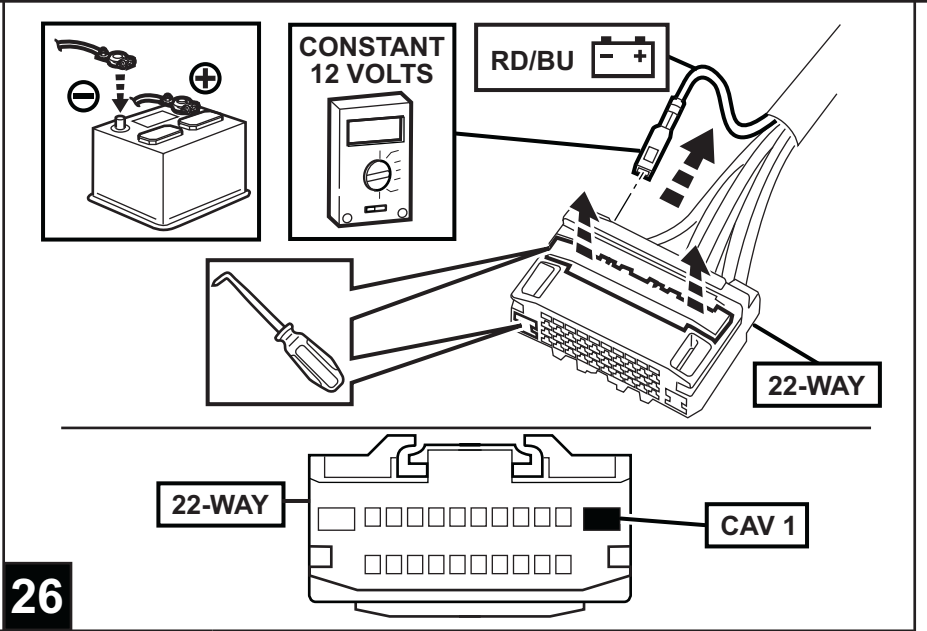
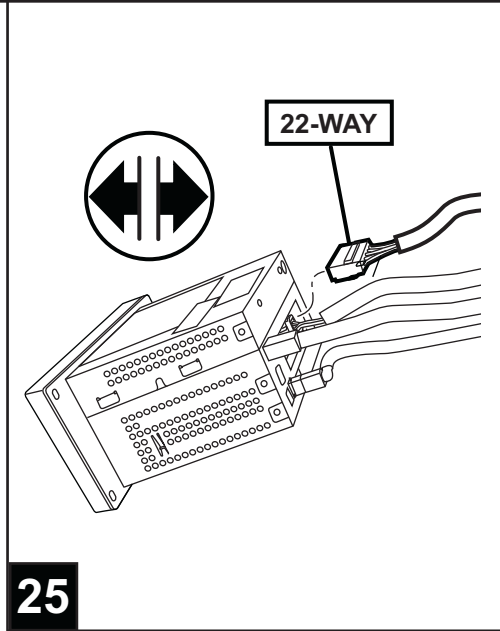
12

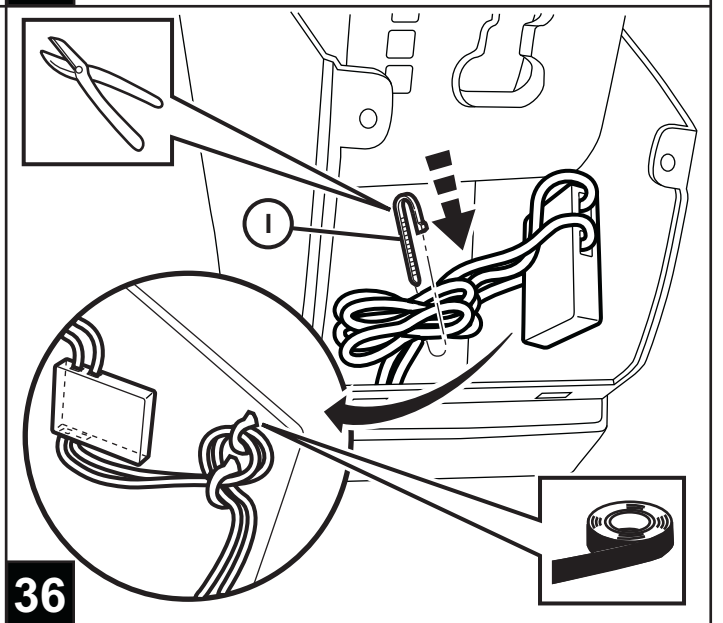
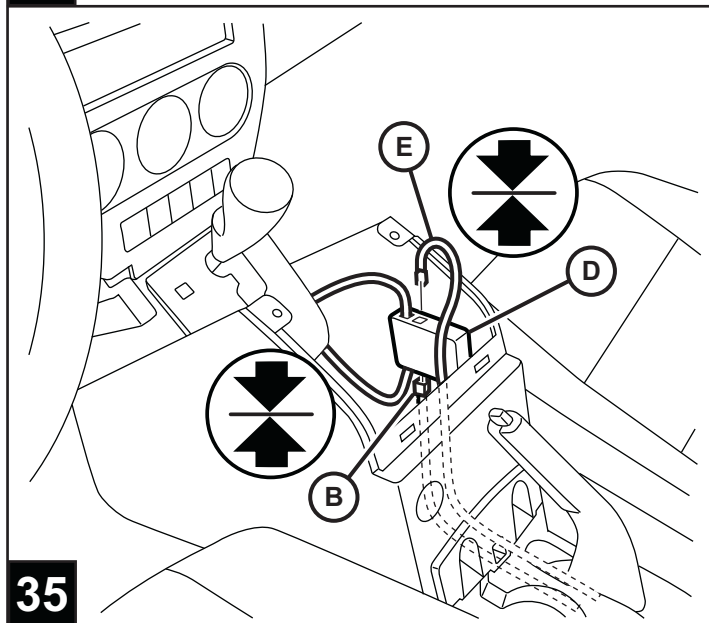
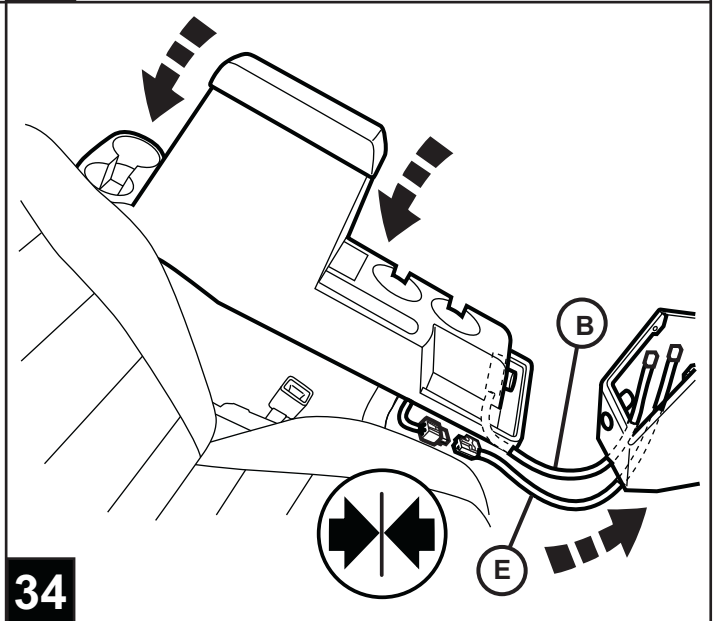
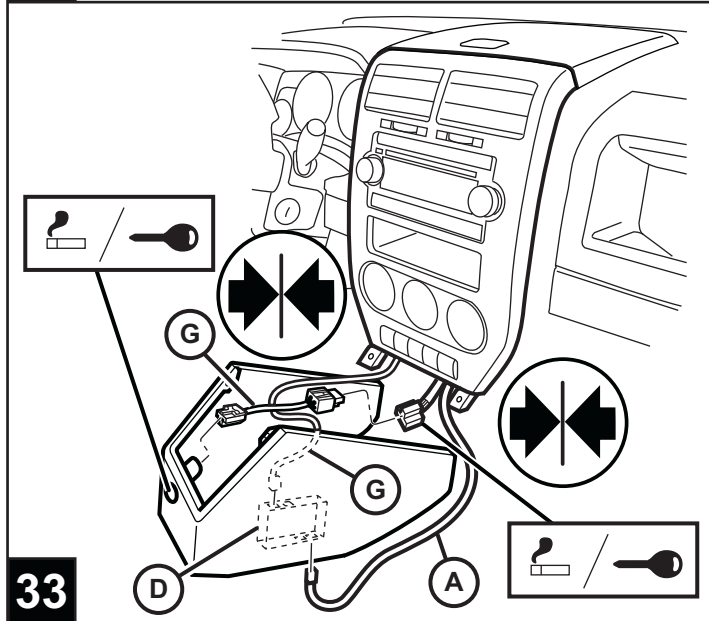
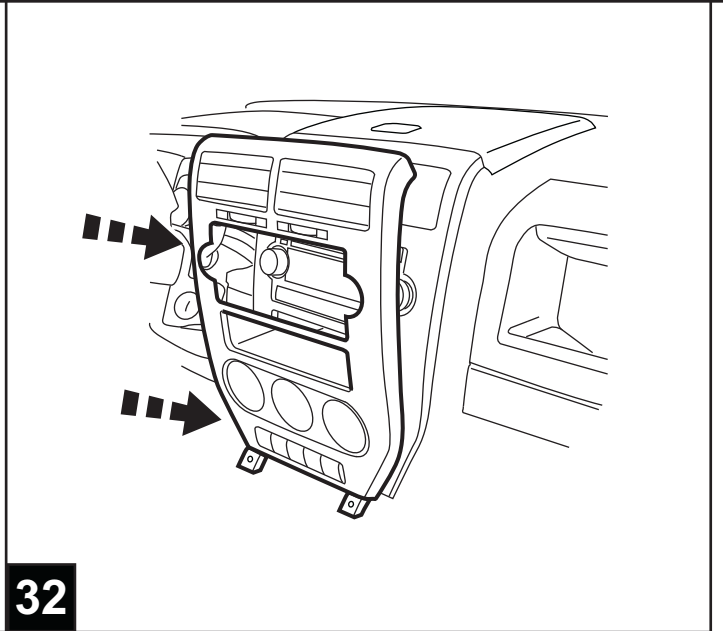
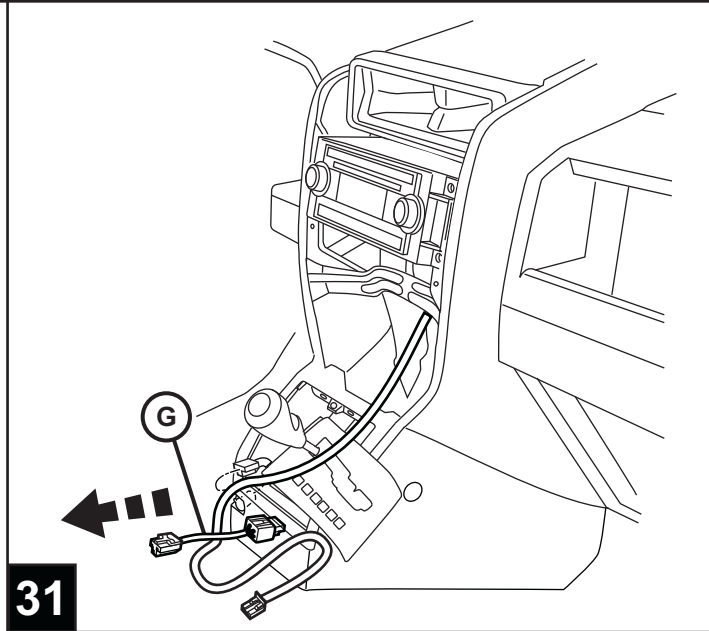
DODGE CALIBER



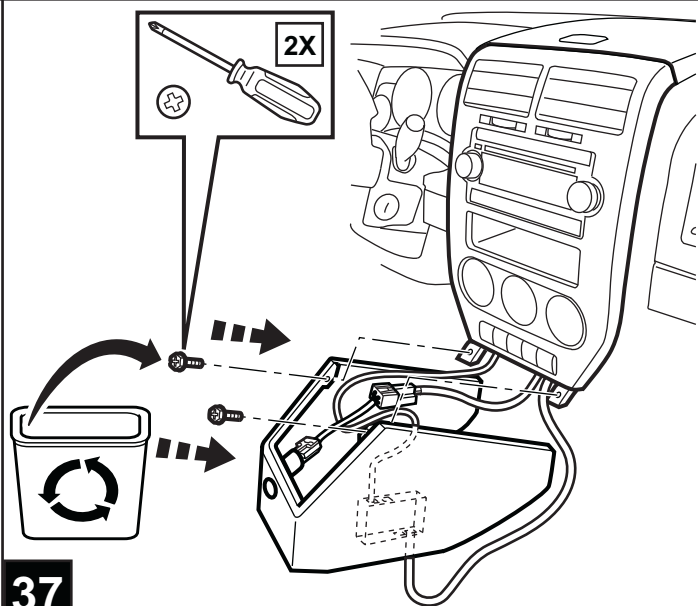


DODGE CALIBER

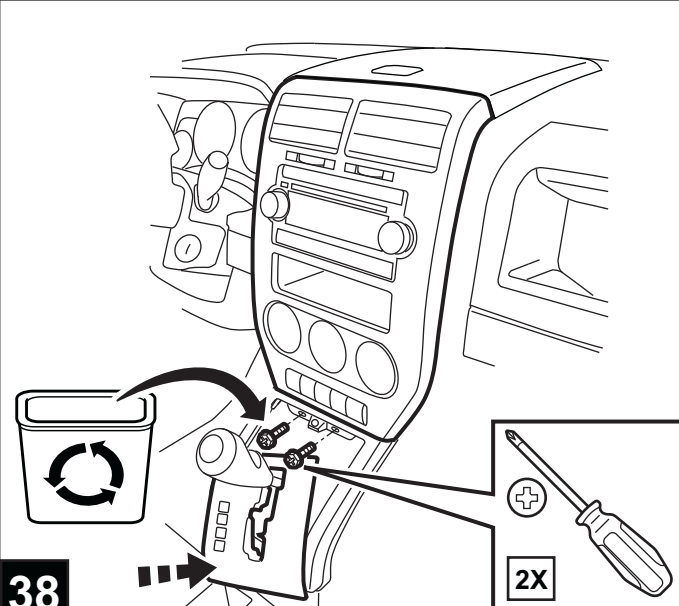




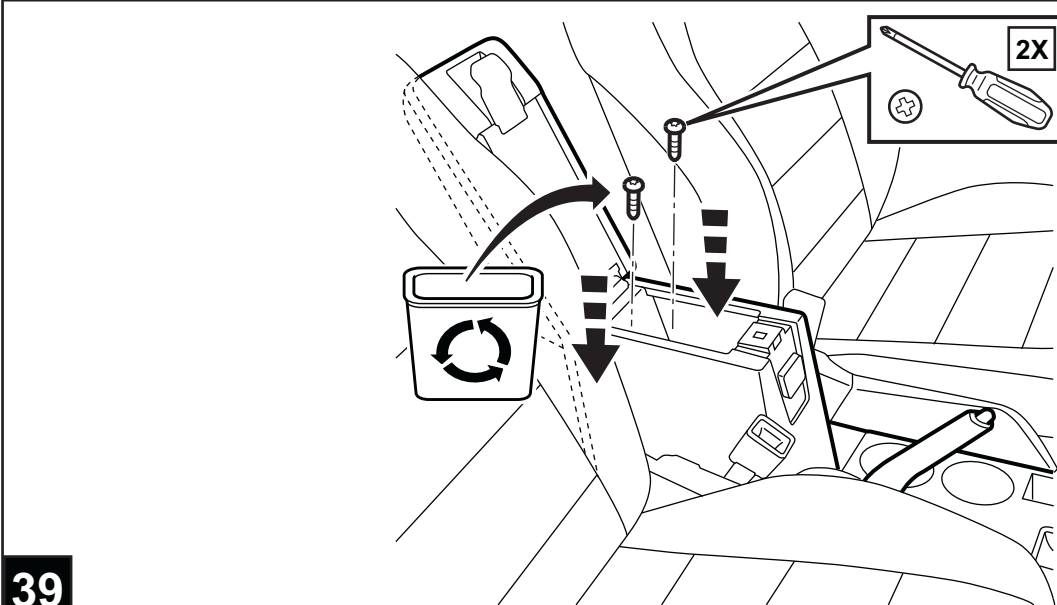
DODGE CALIBER



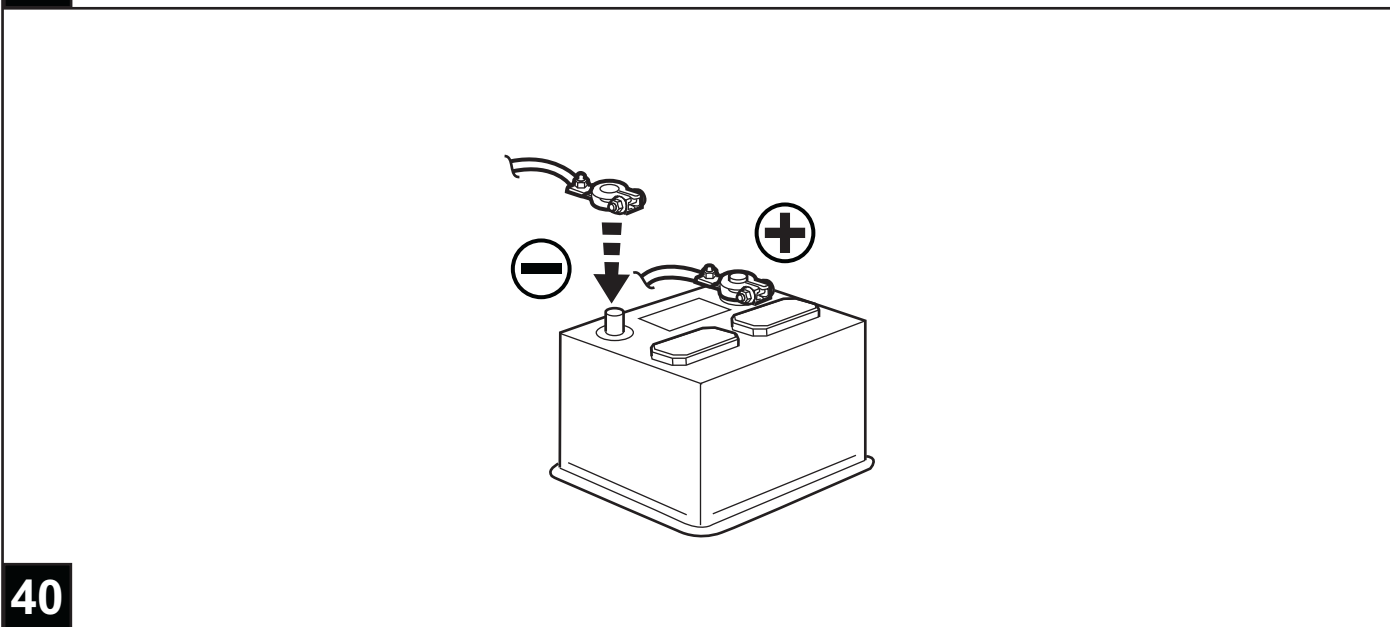
37



38

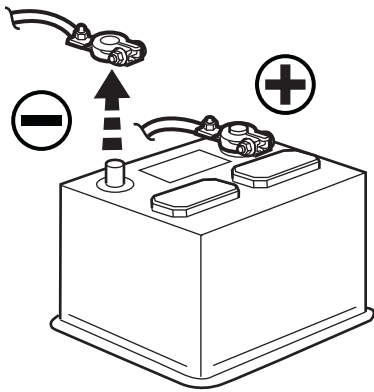


39

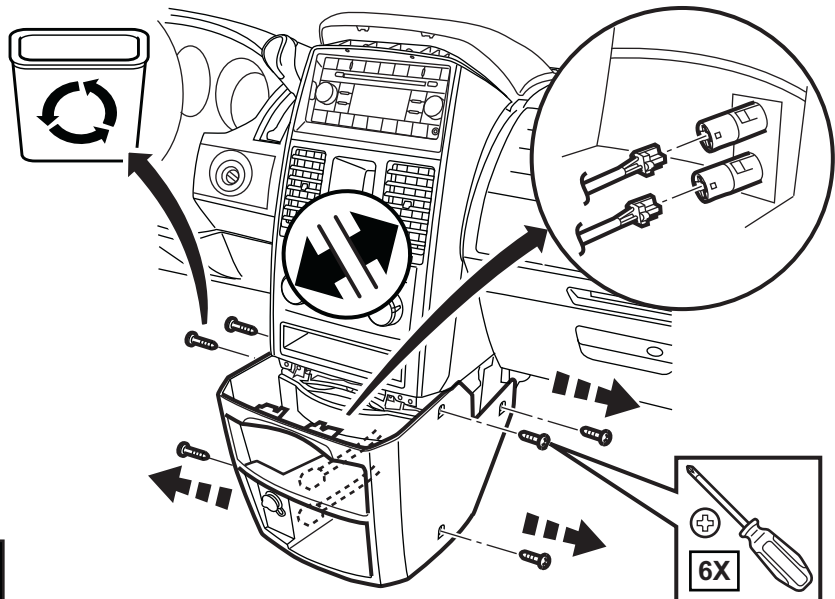


40

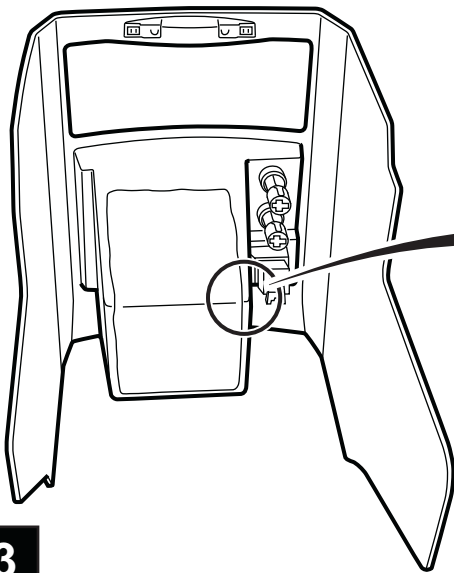
CHRYSLER TOWN & COUNTRY / DODGE CARAVAN



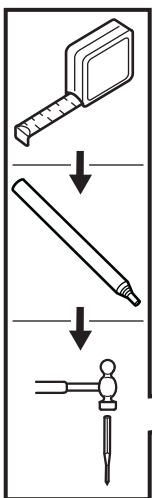
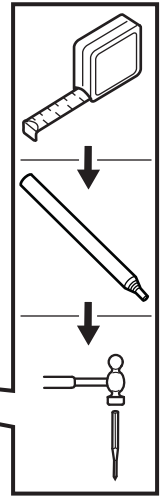
1



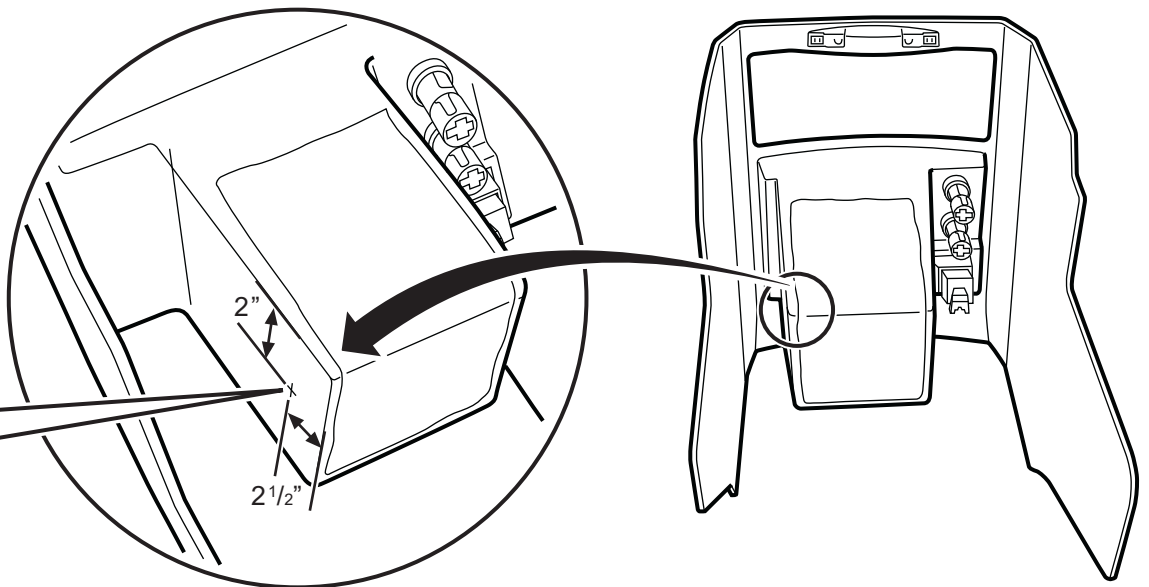
2



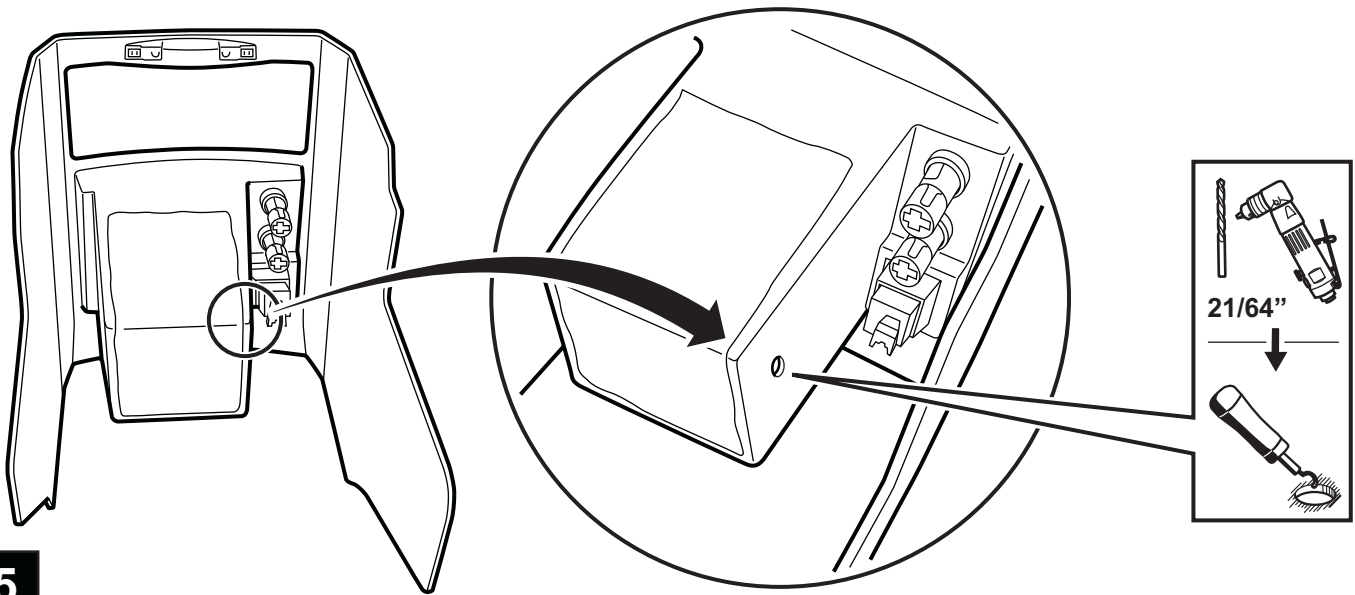
3



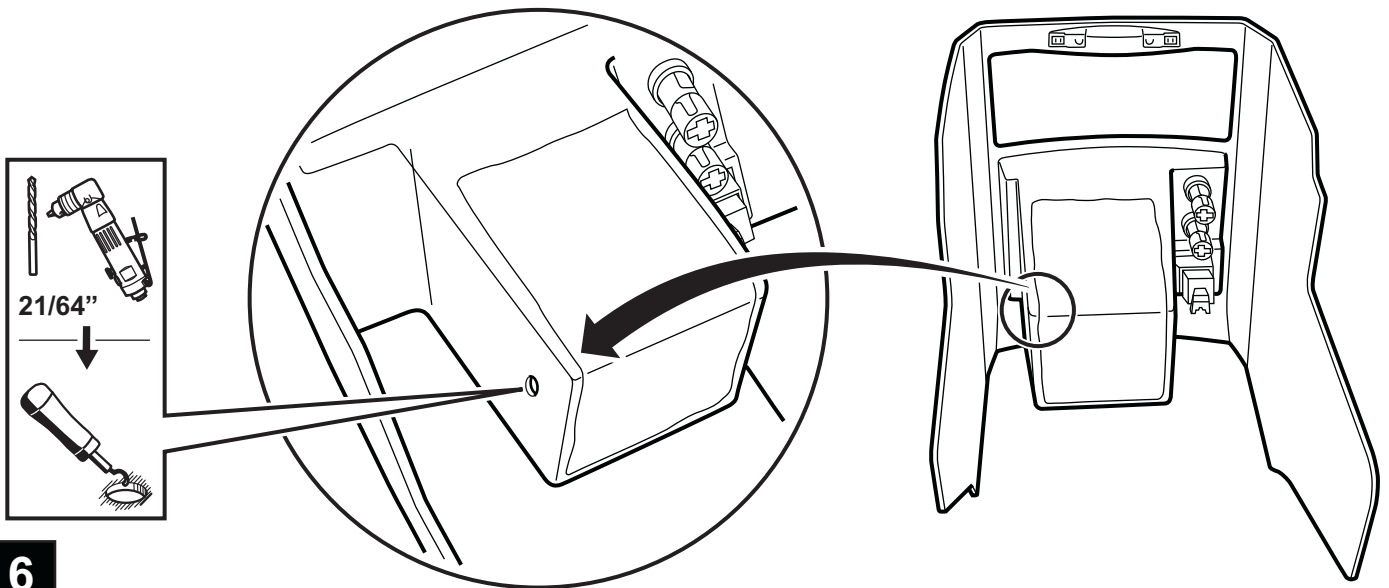
4



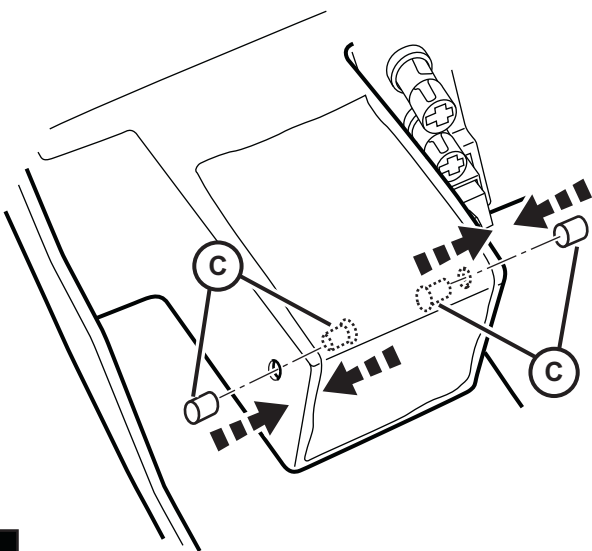
CHRYSLER TOWN & COUNTRY / DODGE CARAVAN



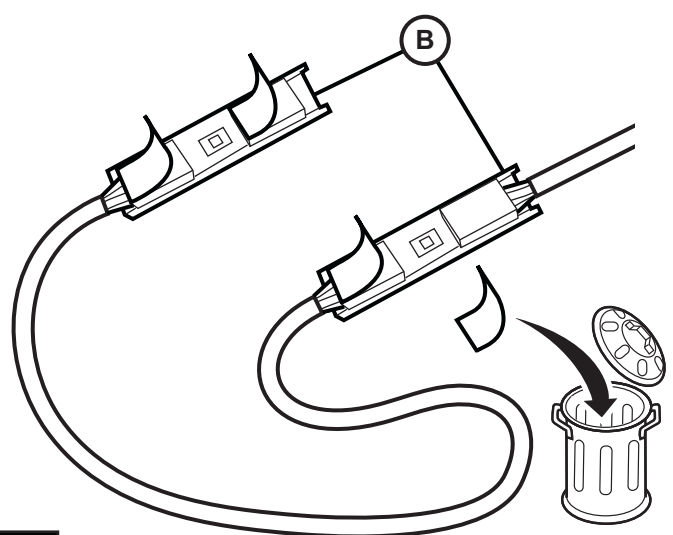
5



6

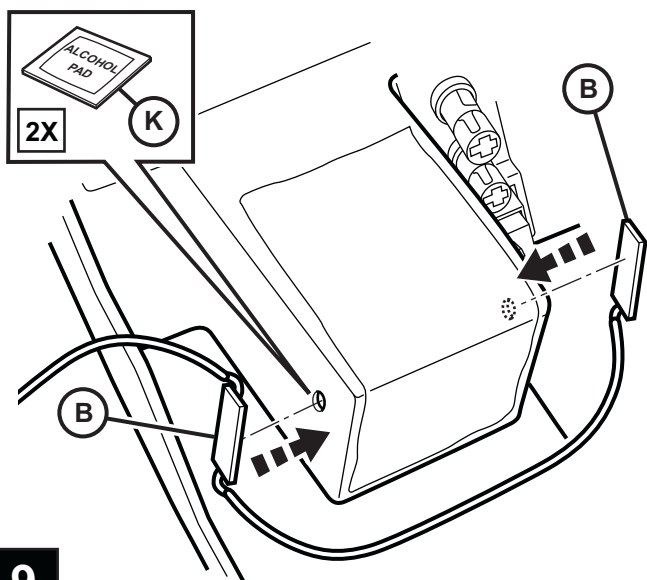


7

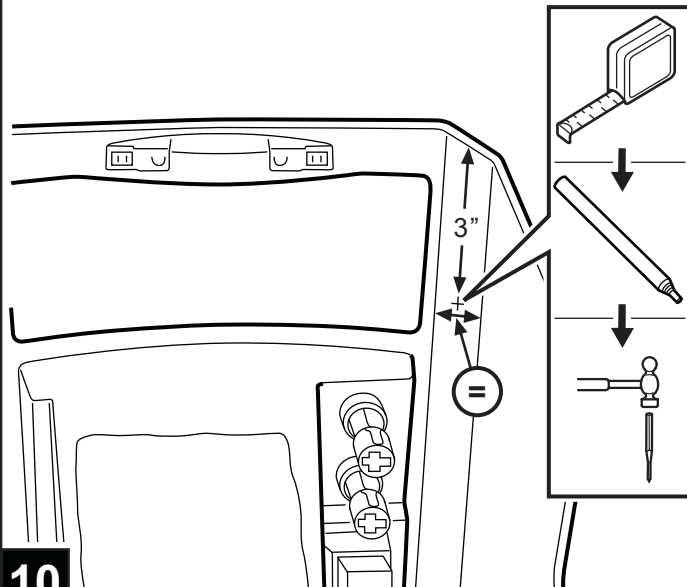


8

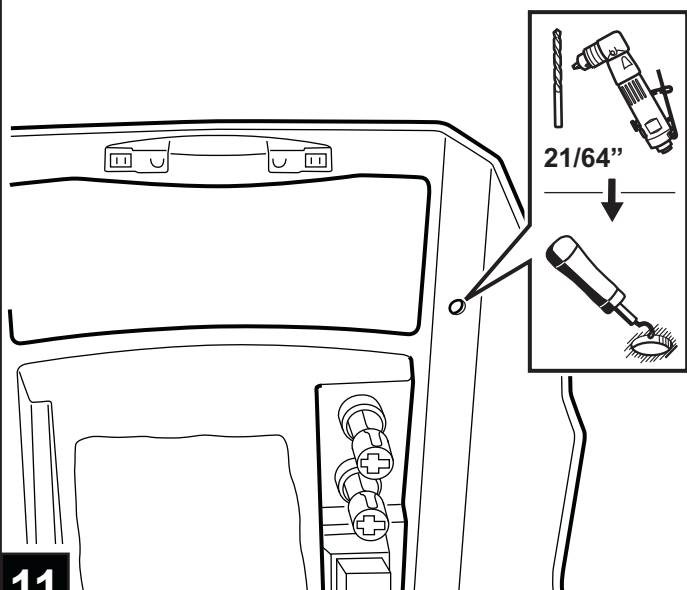
CHRYSLER TOWN & COUNTRY / DODGE CARAVAN



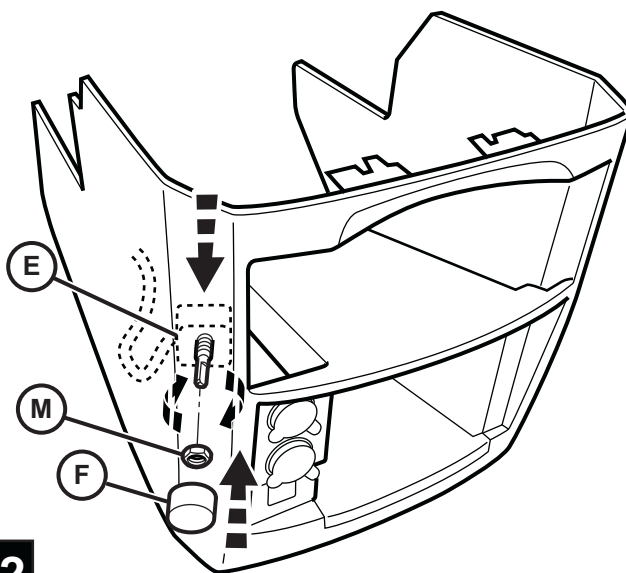
9



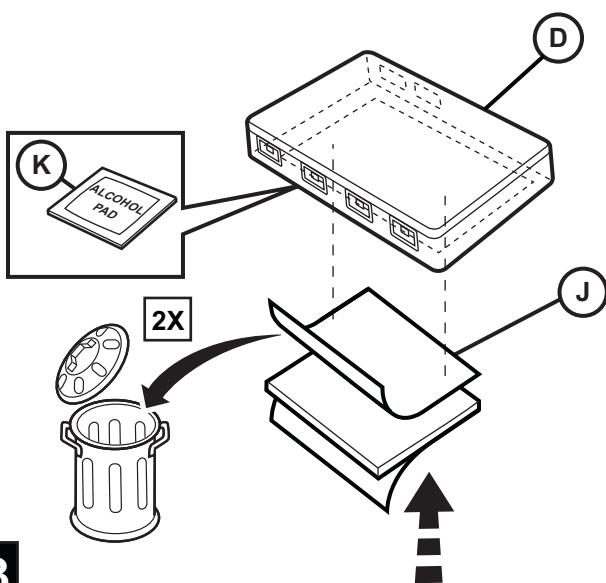
10



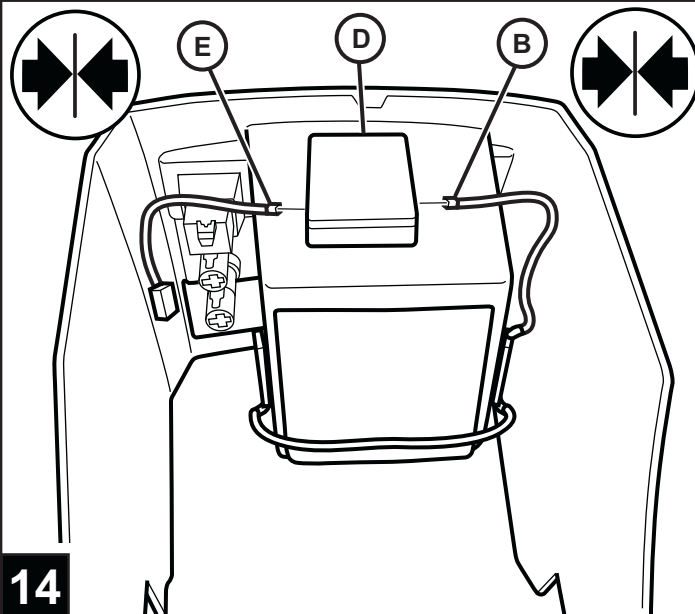
11



12

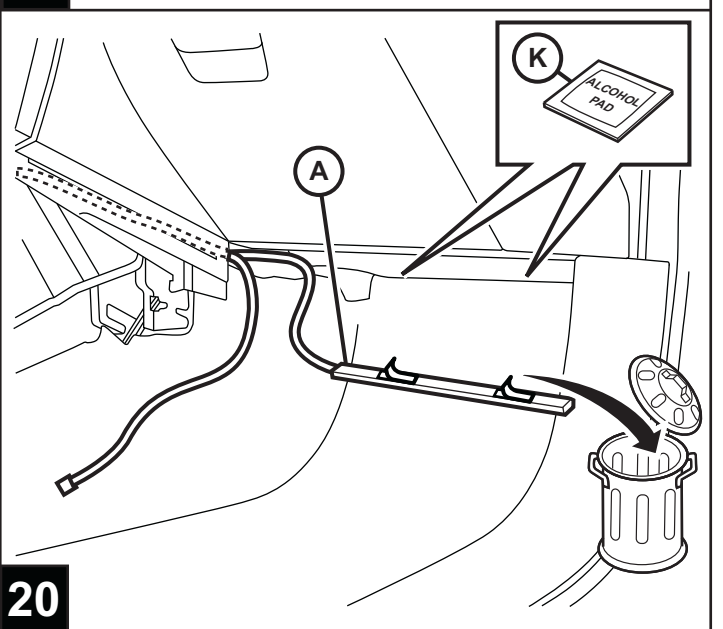
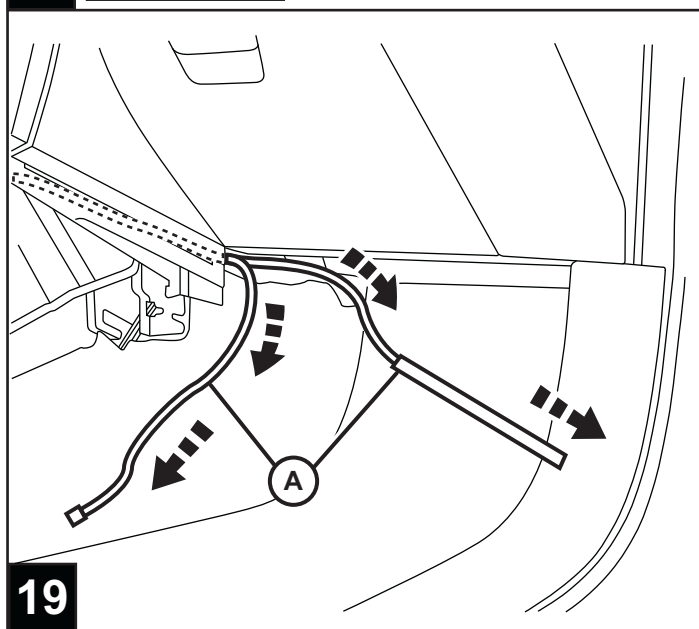
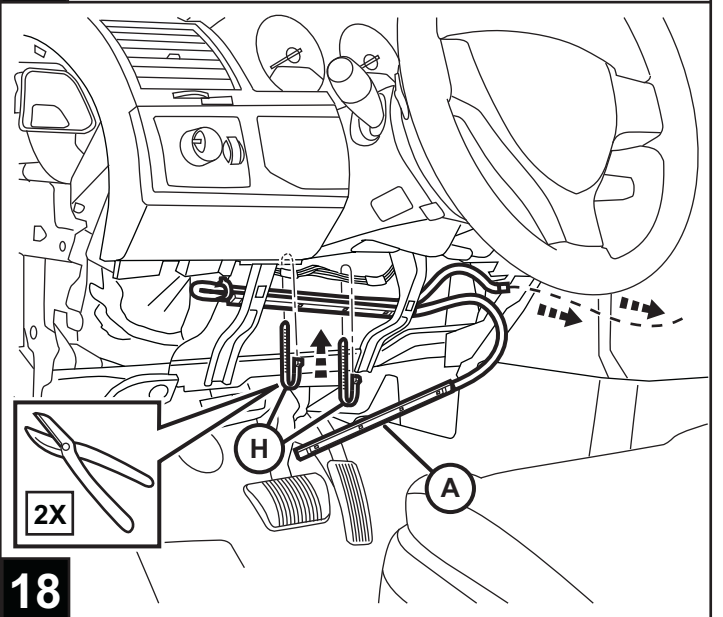
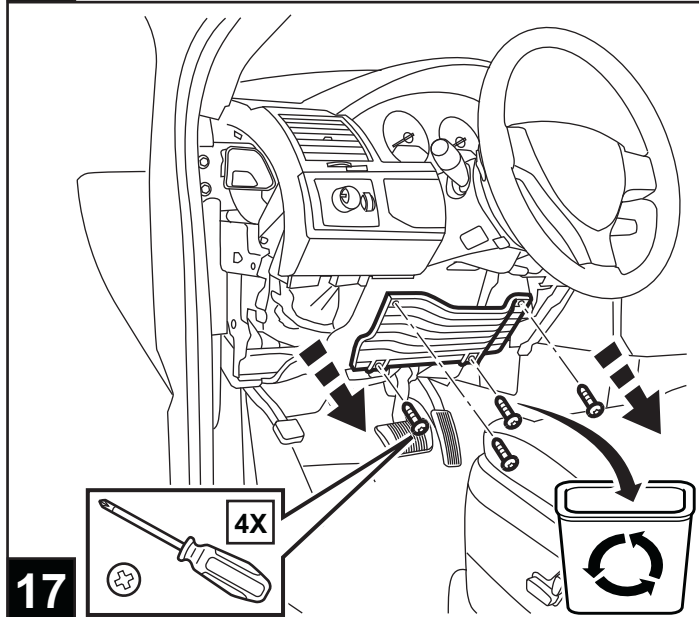
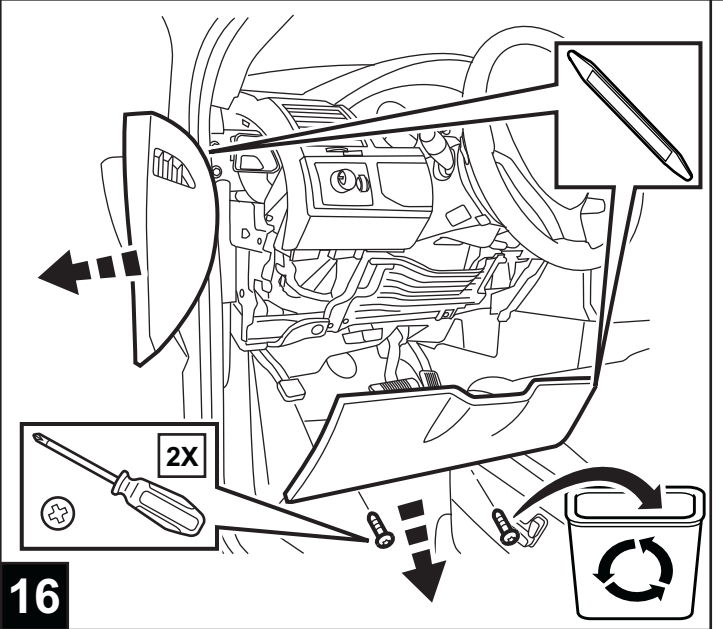
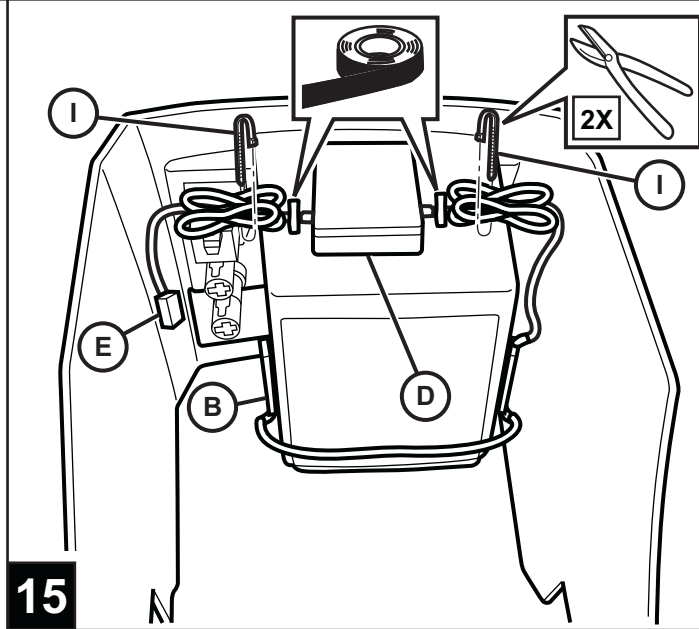


13

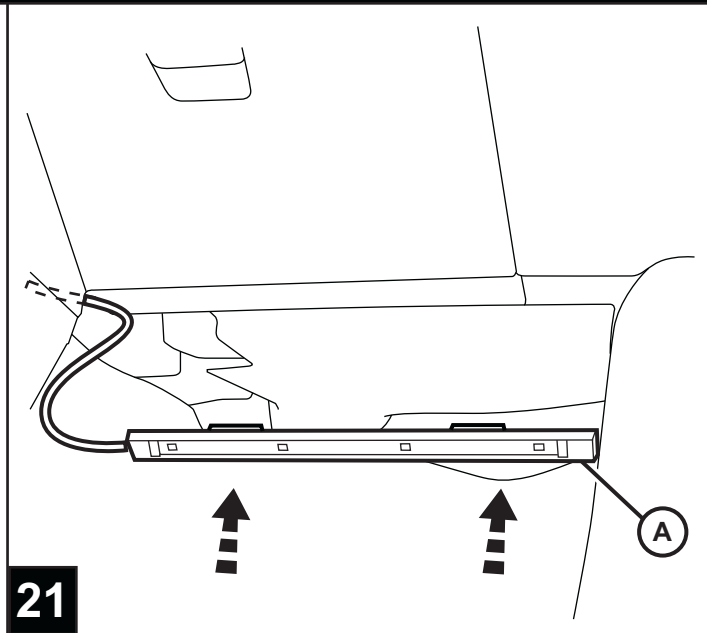


14

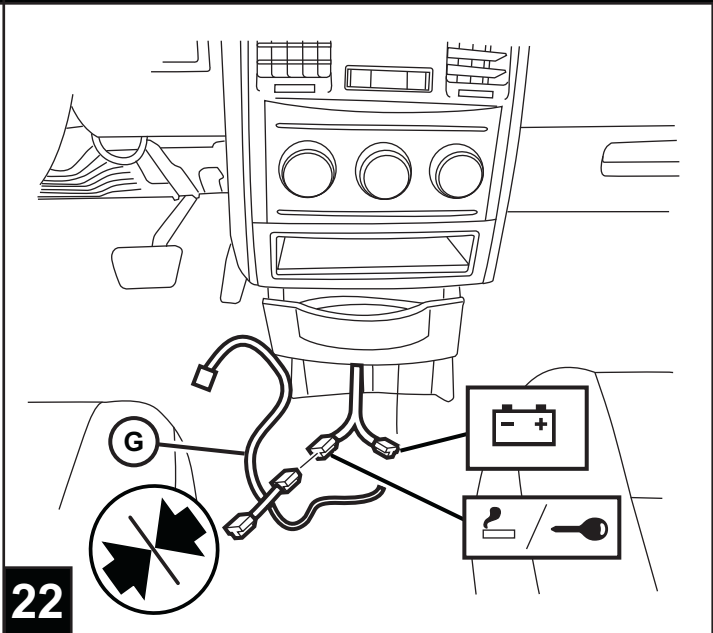
CHRYSLER TOWN & COUNTRY / DODGE CARAVAN



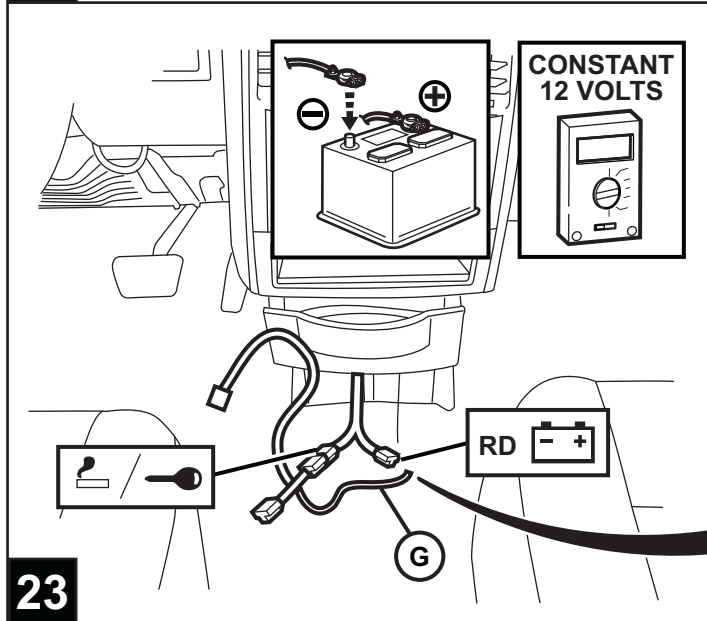
CHRYSLER TOWN & COUNTRY / DODGE CARAVAN



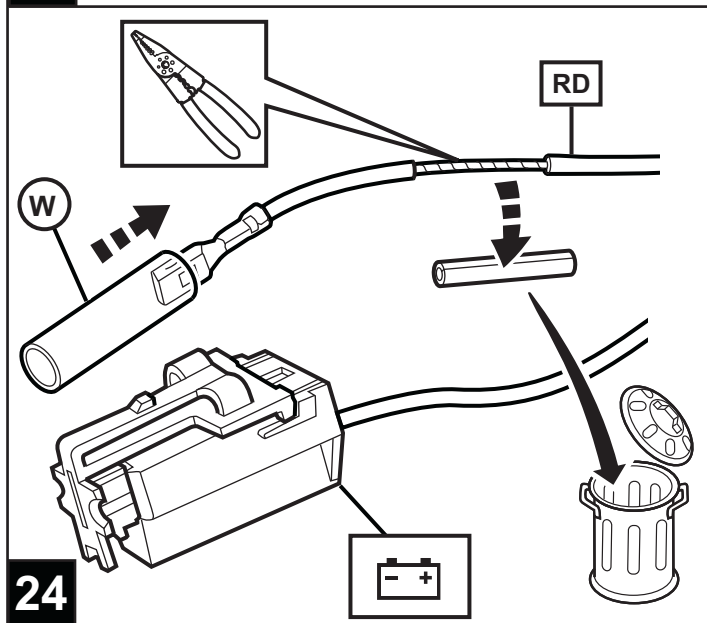
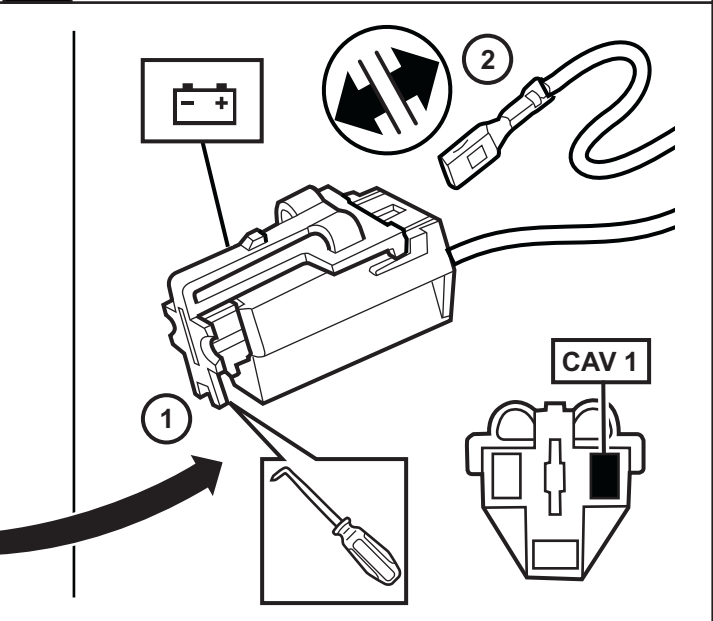
21



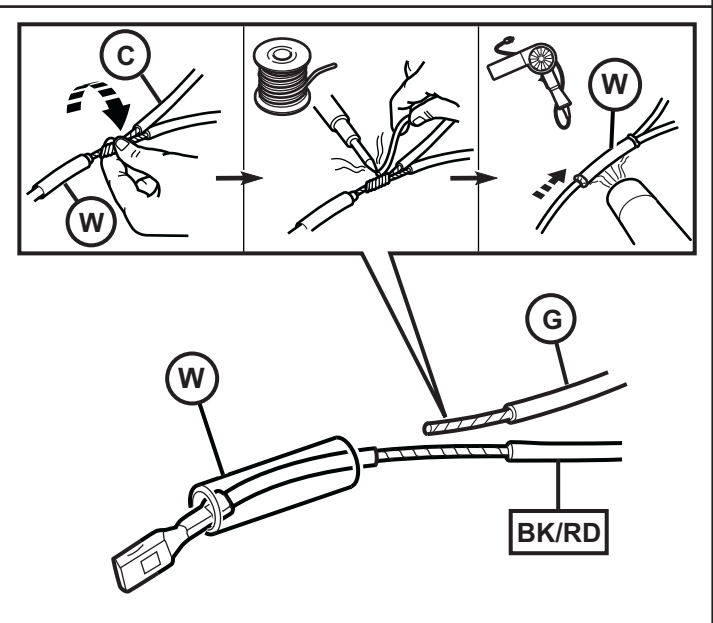
22



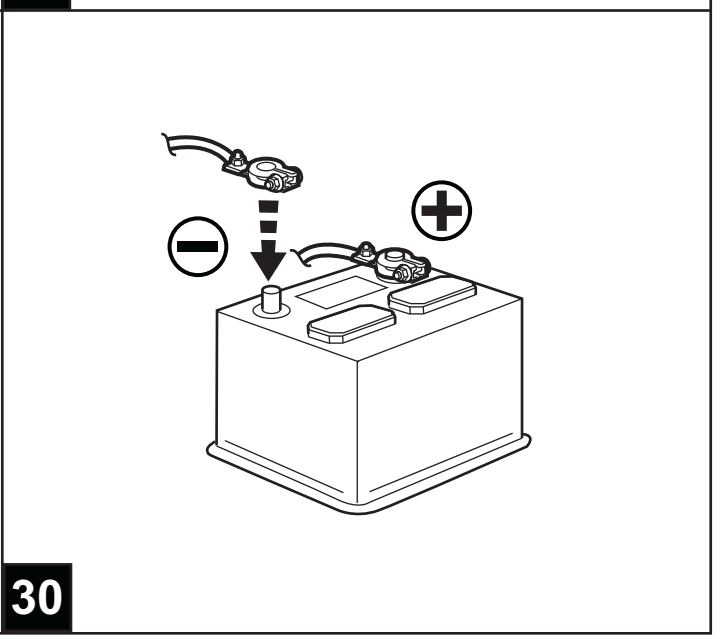
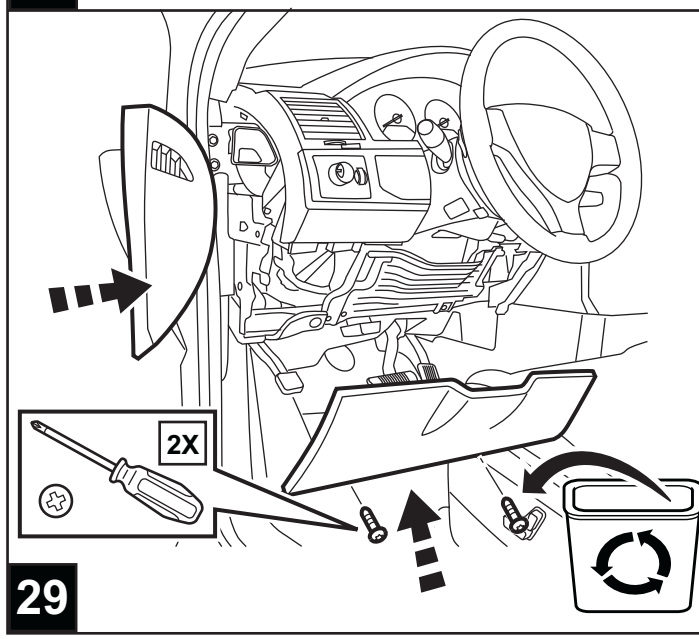
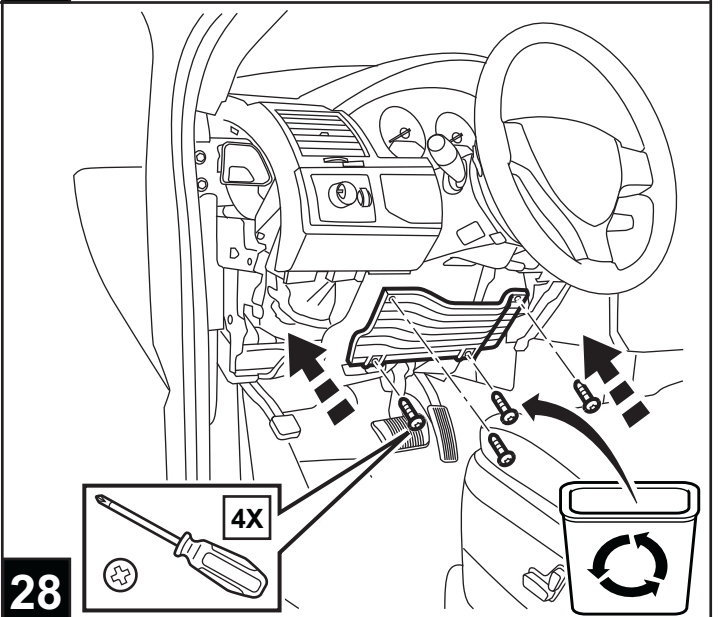
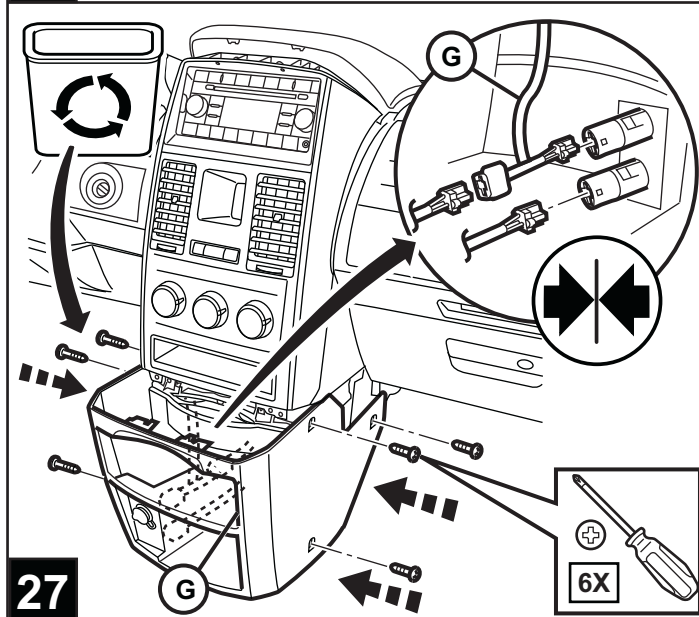
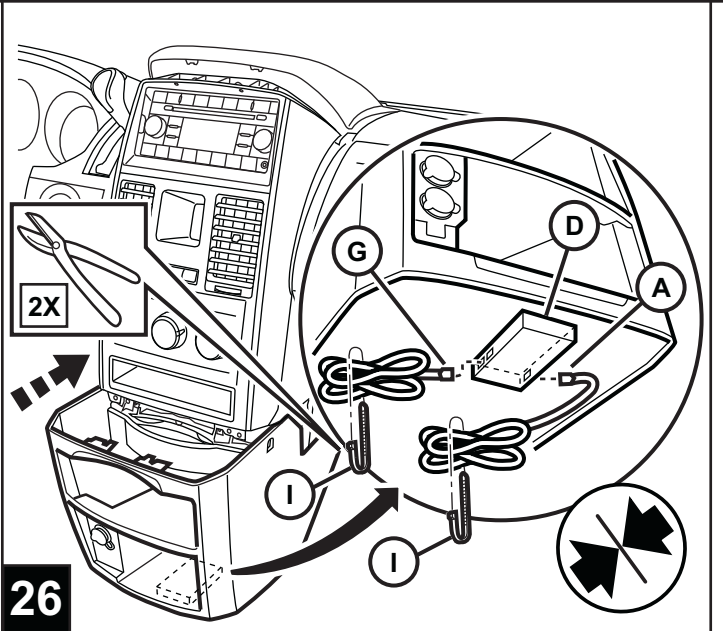
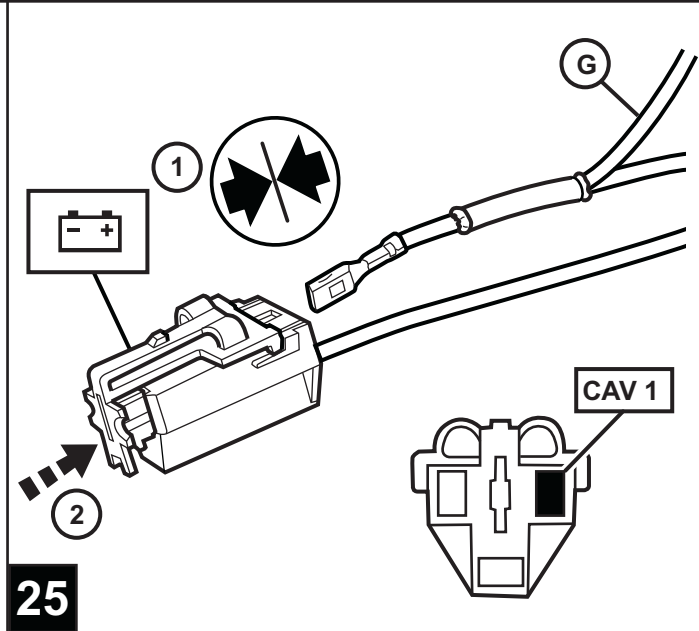
23

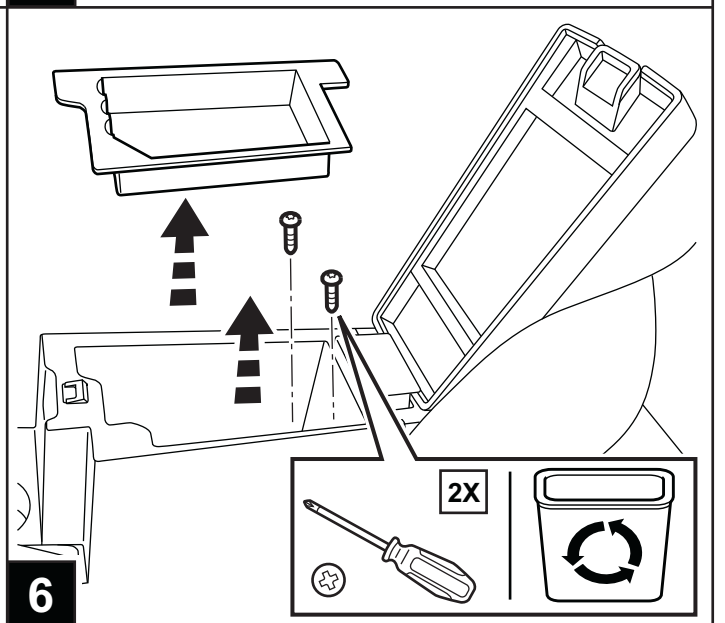
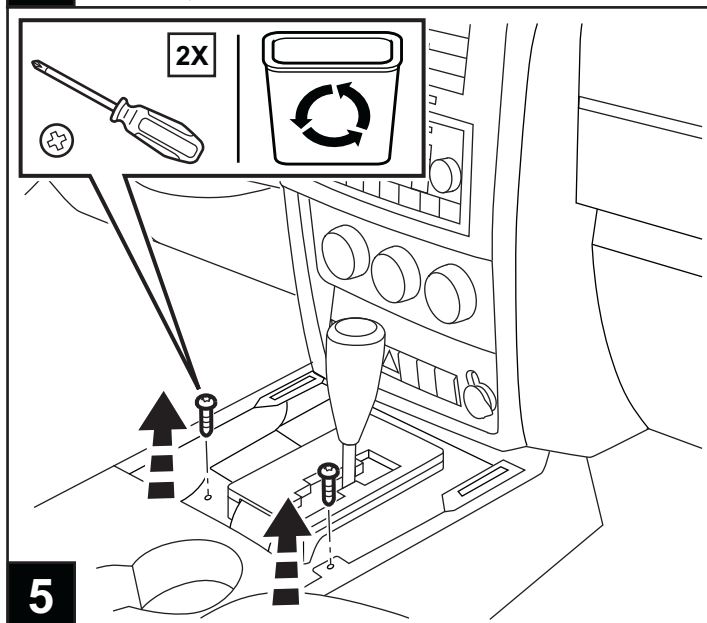
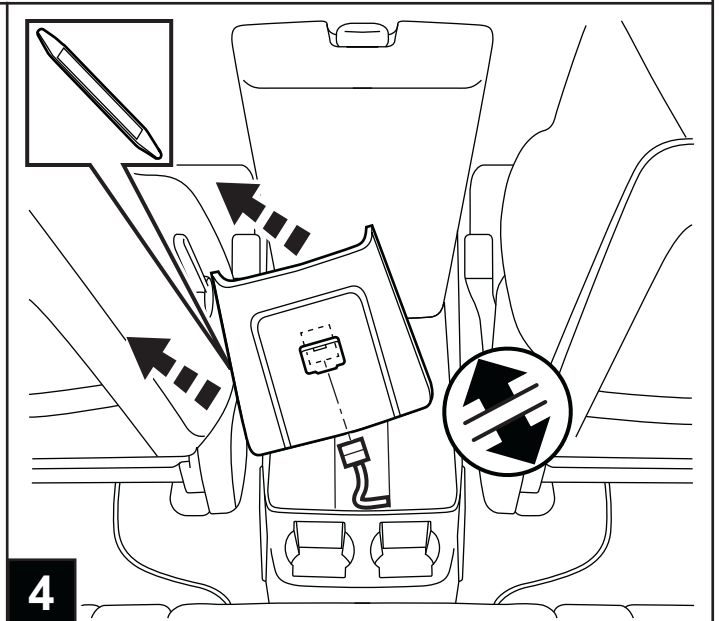
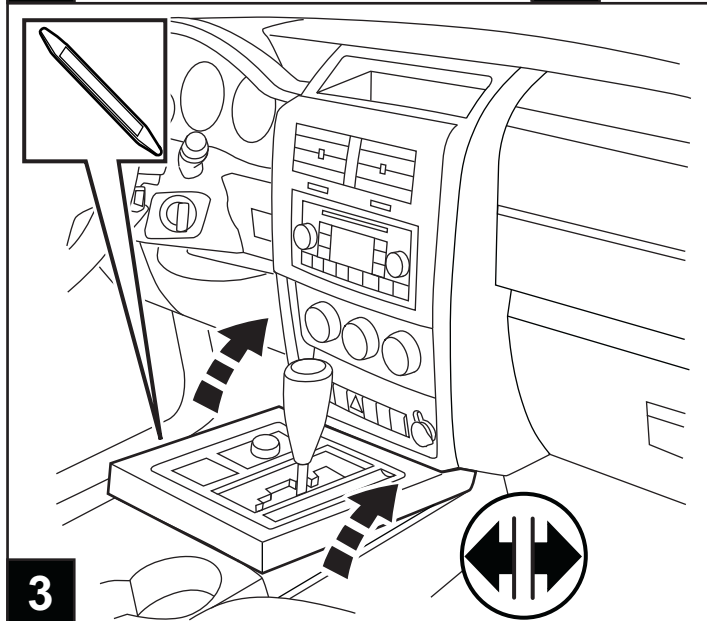
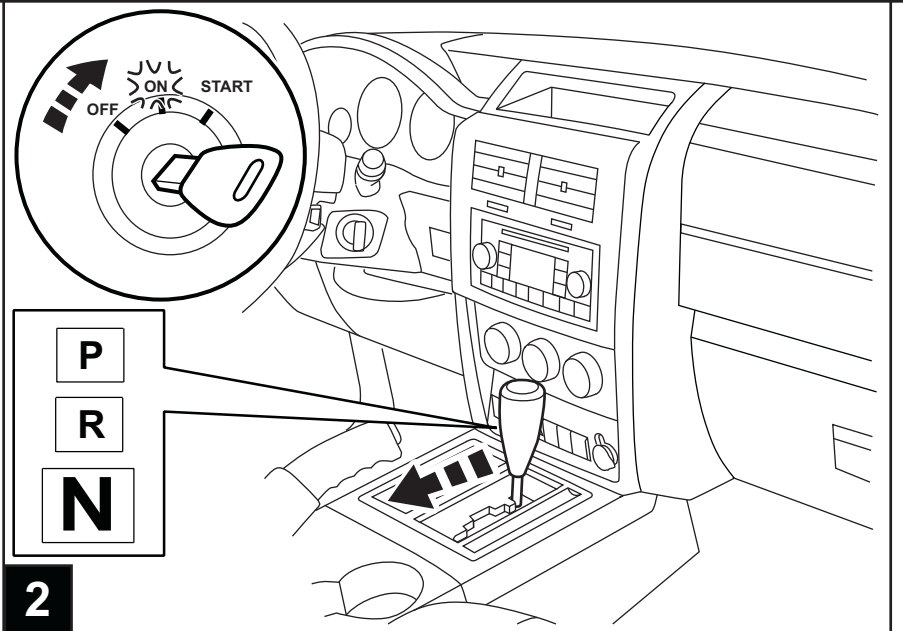
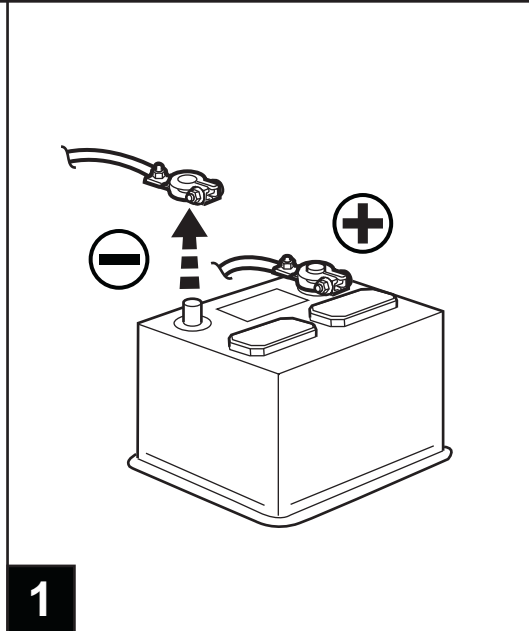


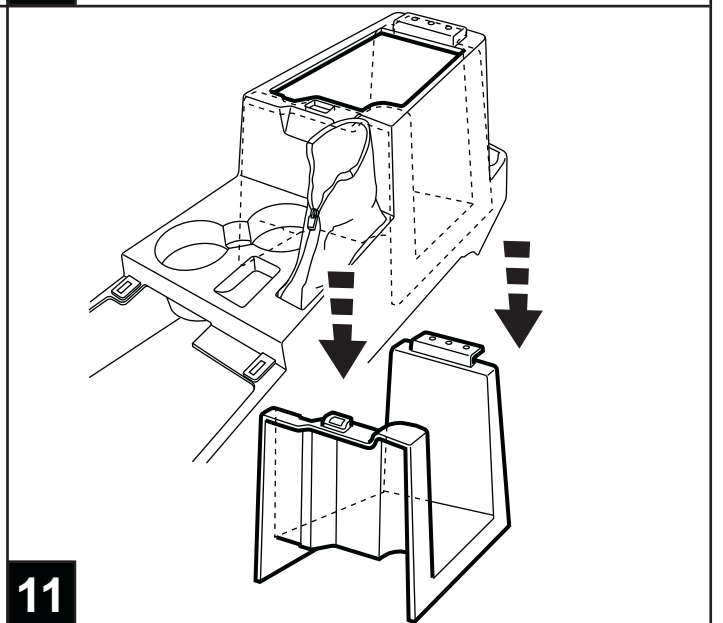
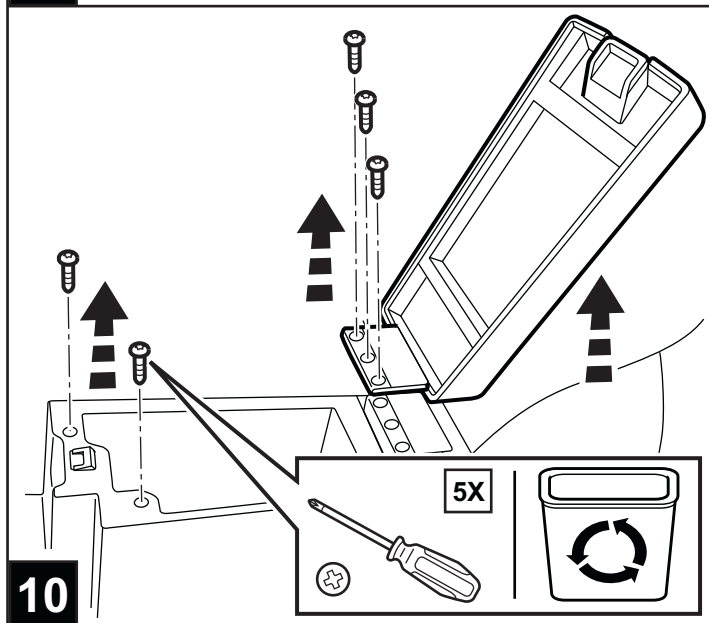
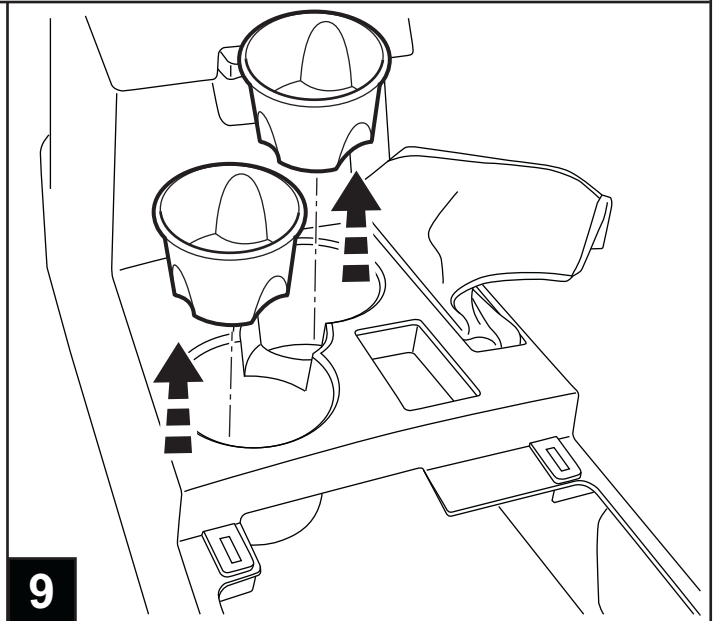
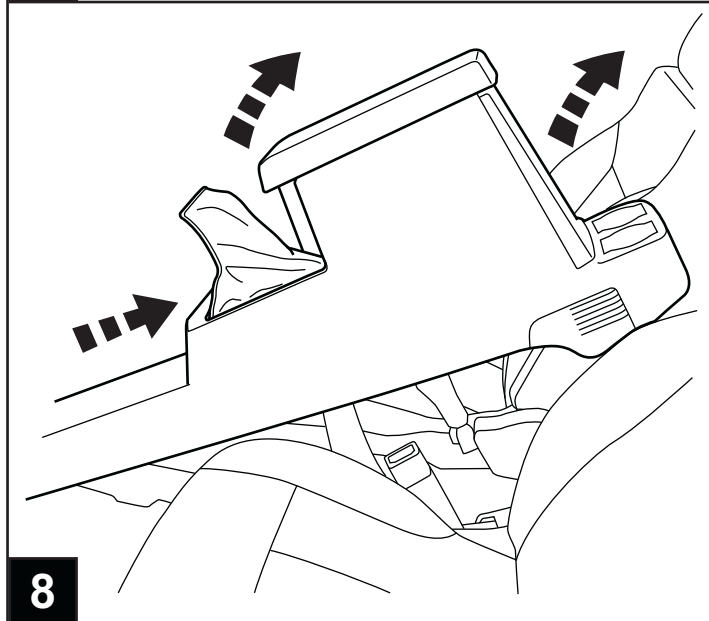
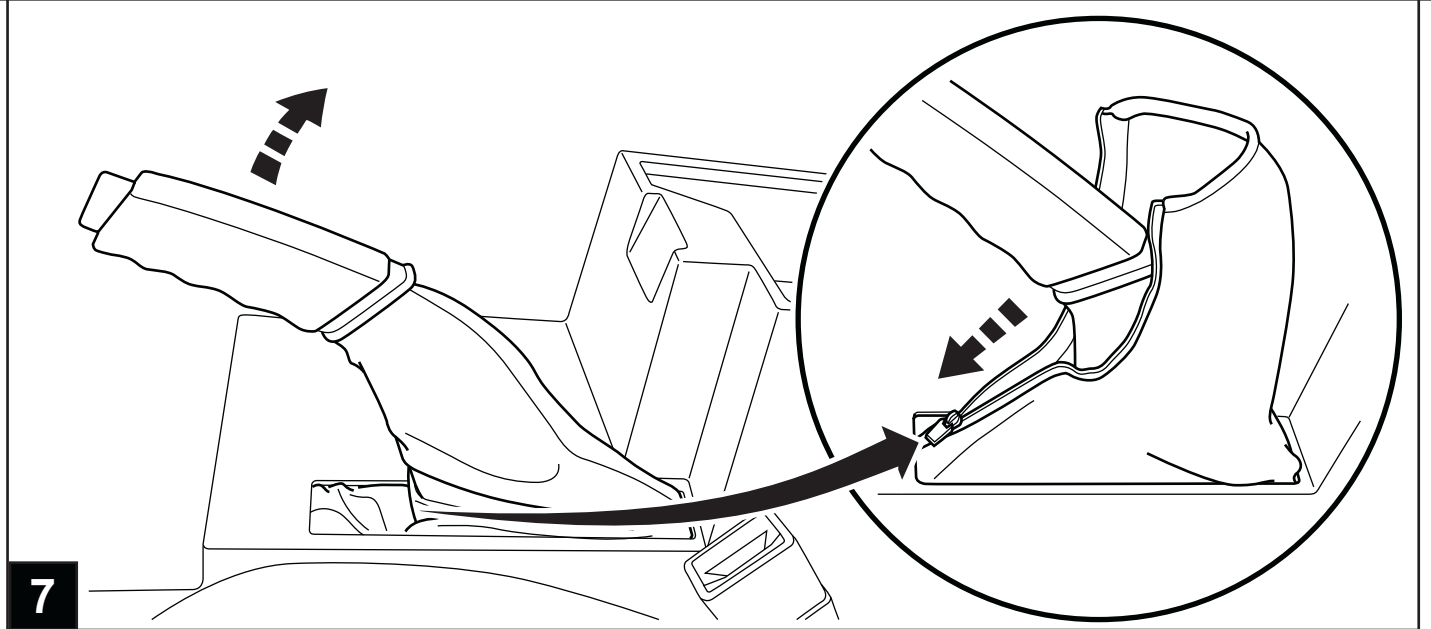
24

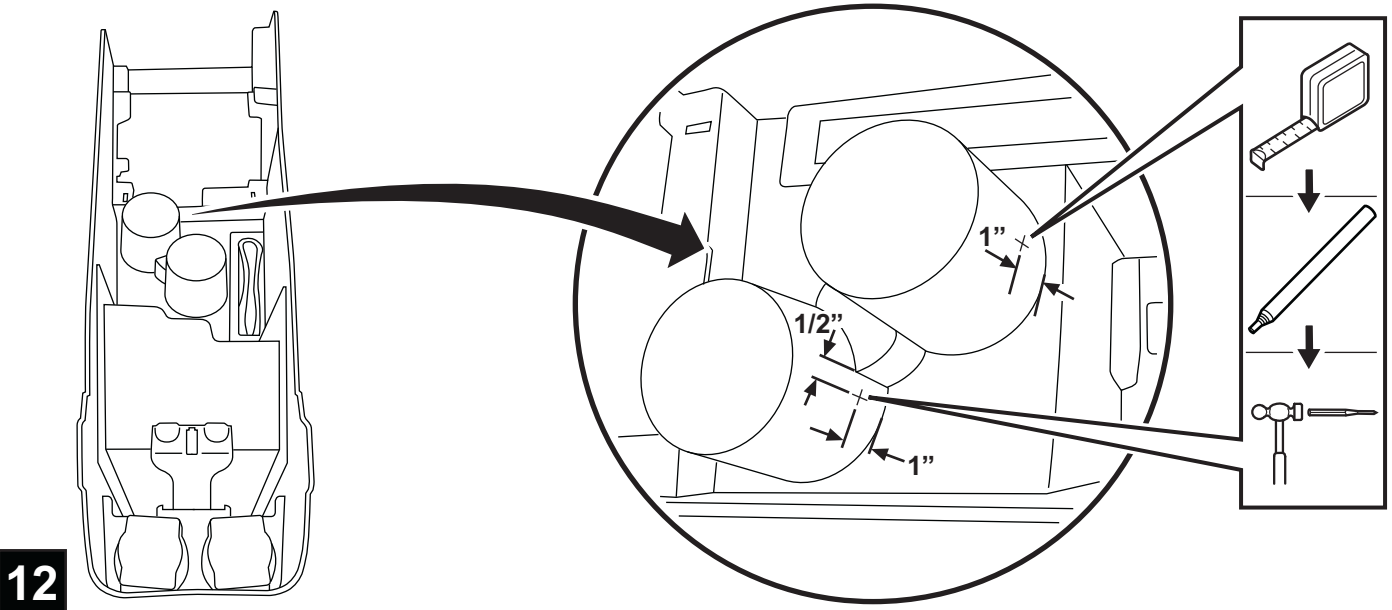


CHRYSLER TOWN & COUNTRY / DODGE CARAVAN

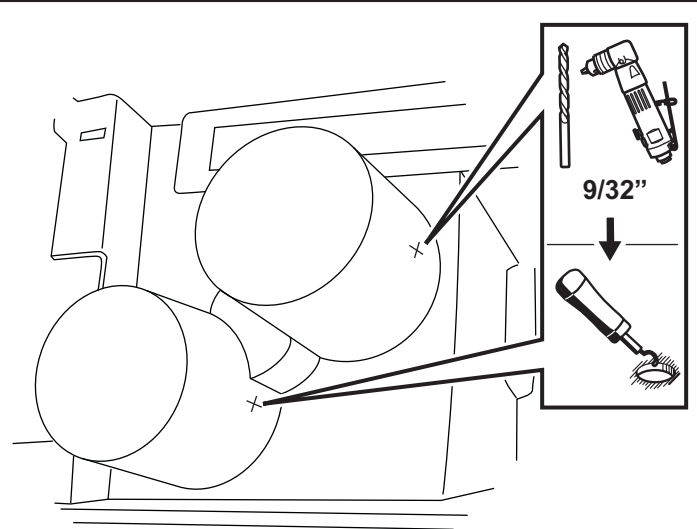




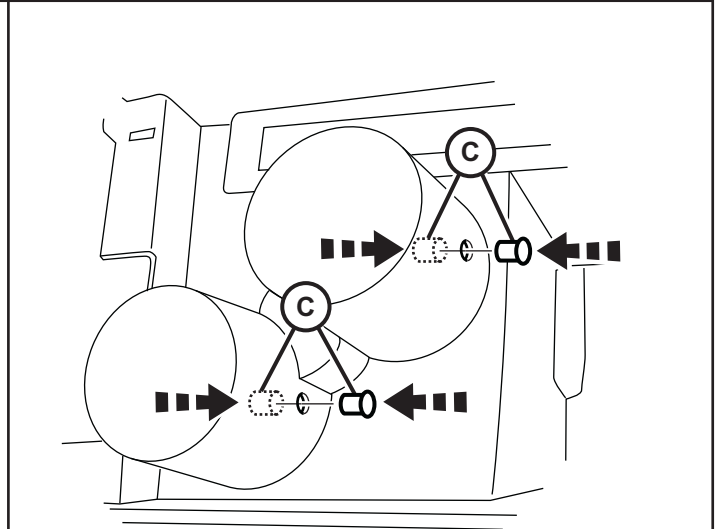




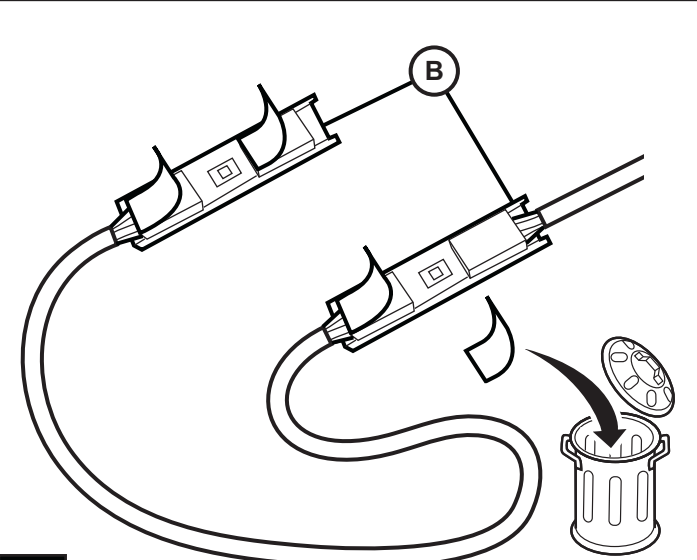
12



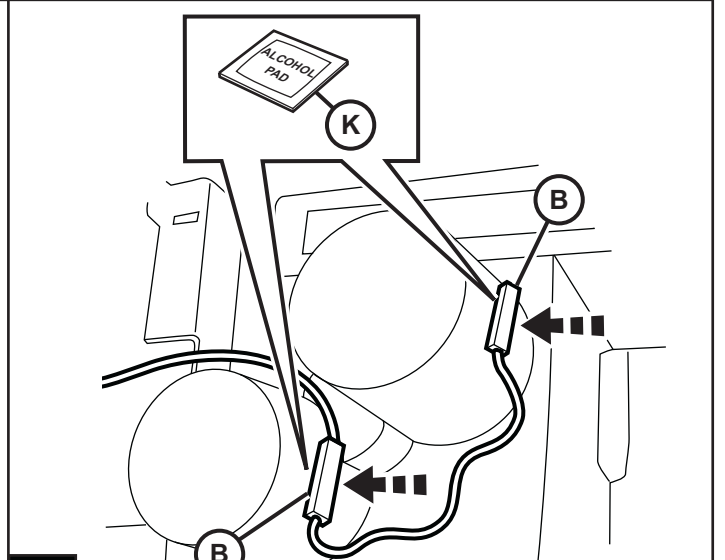
13



14

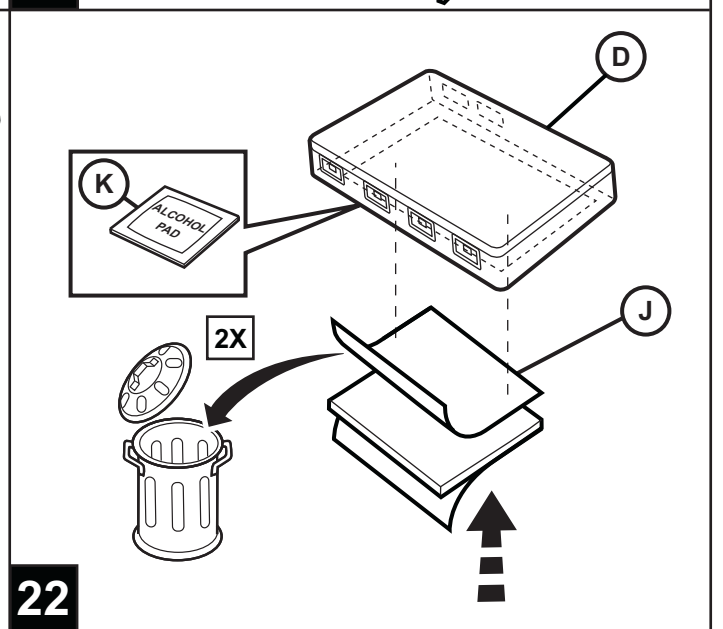
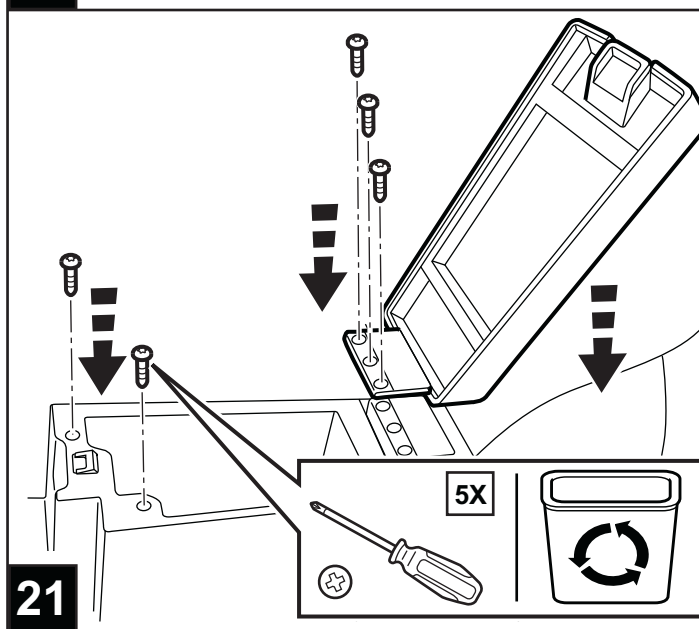
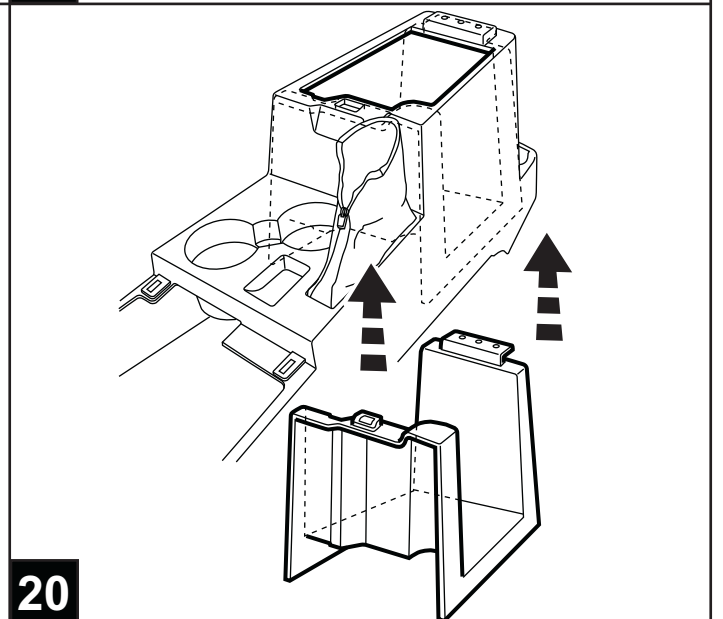
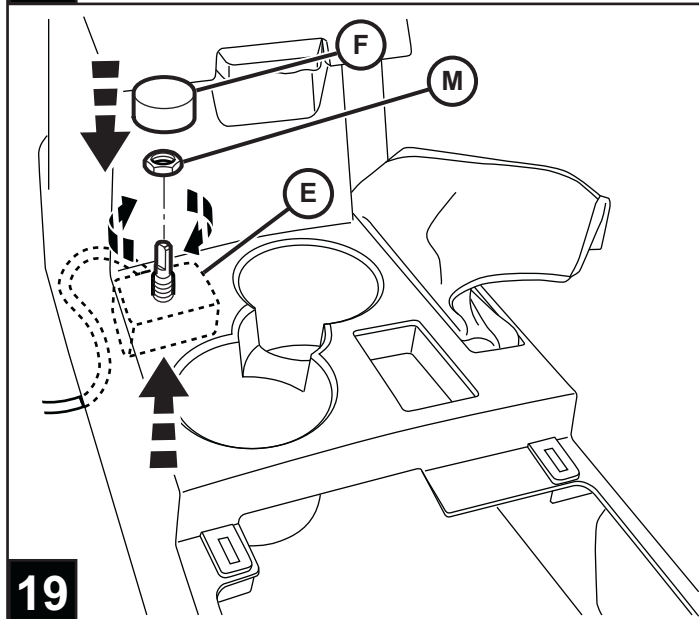
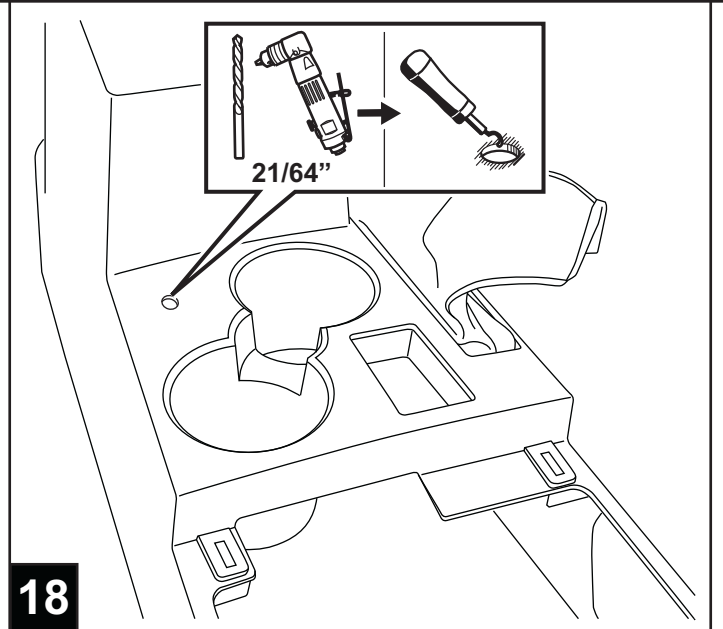
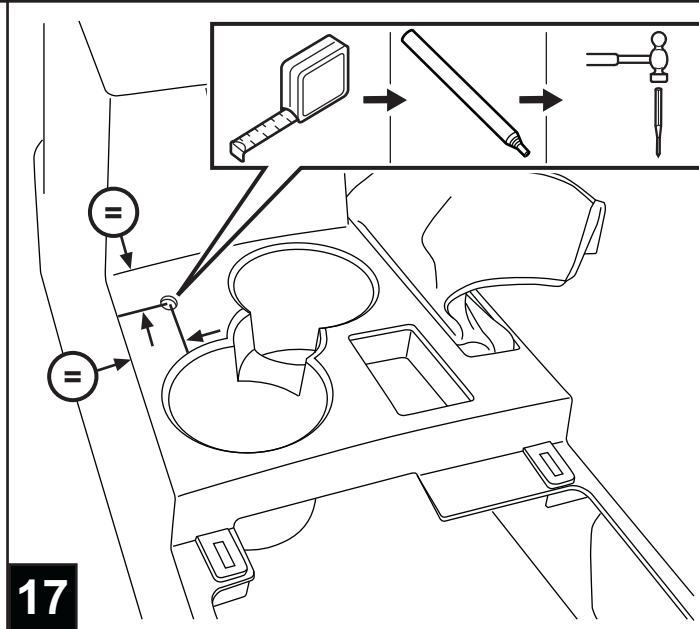


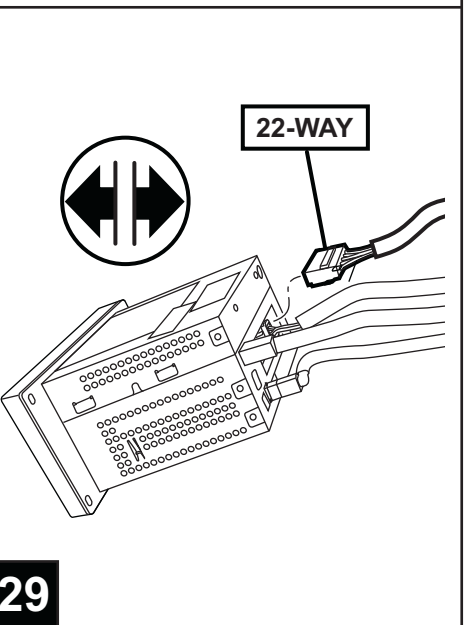
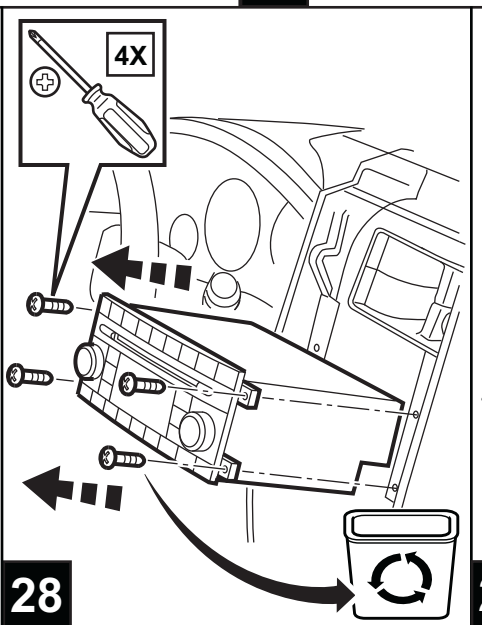
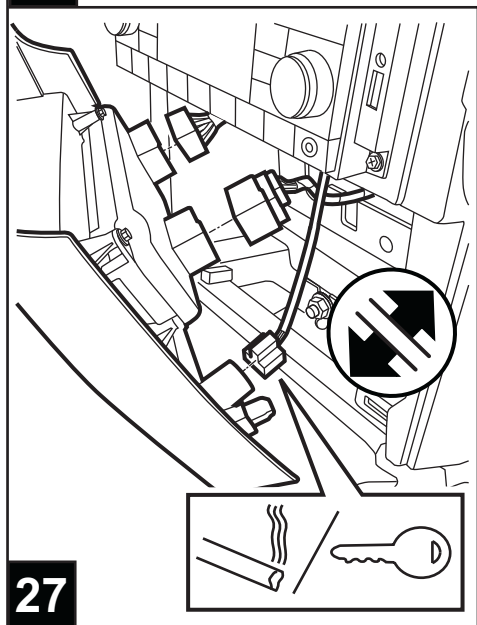
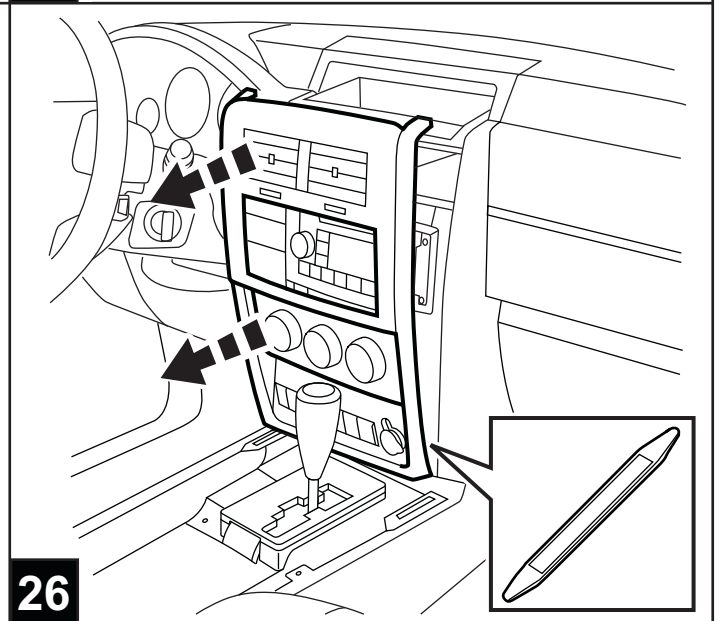
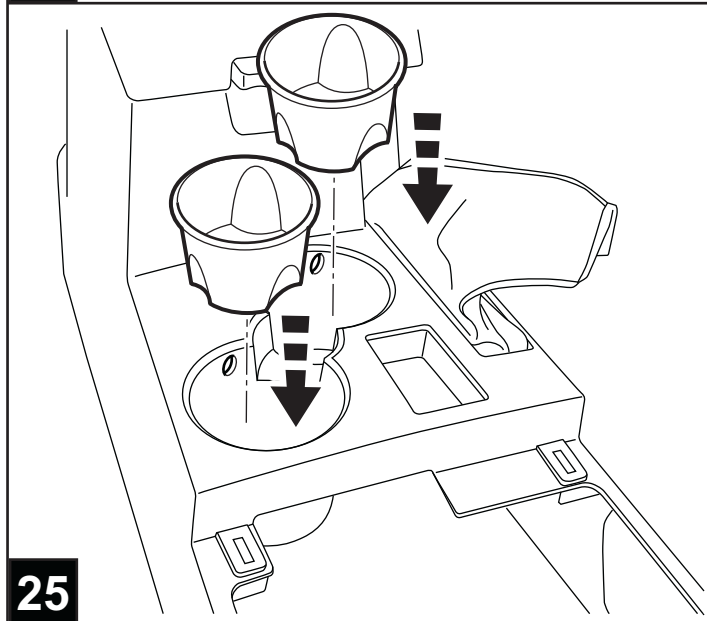
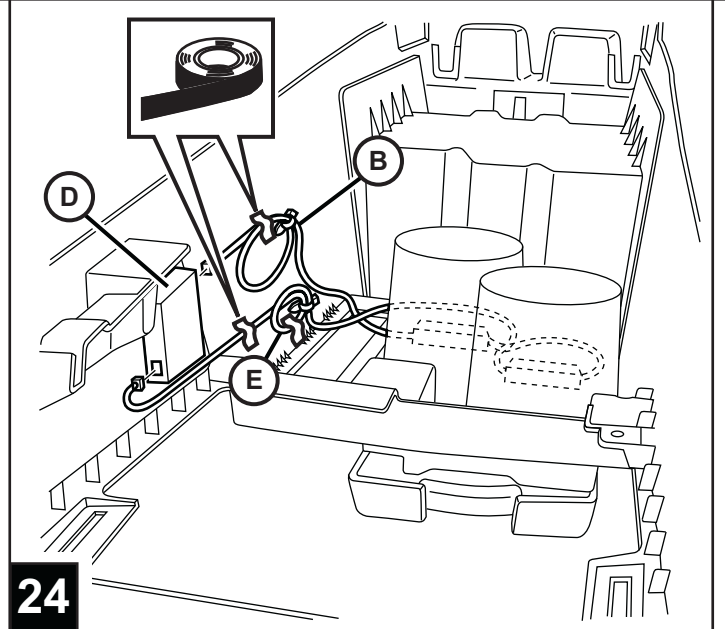
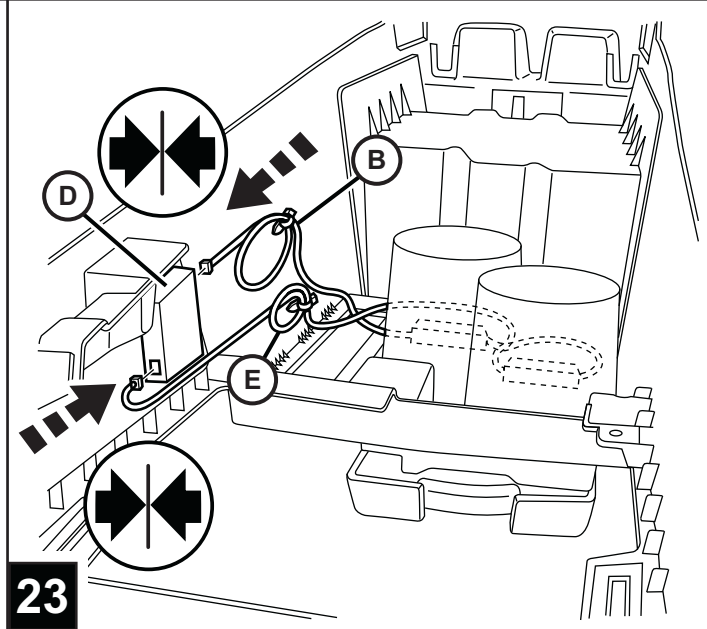
15



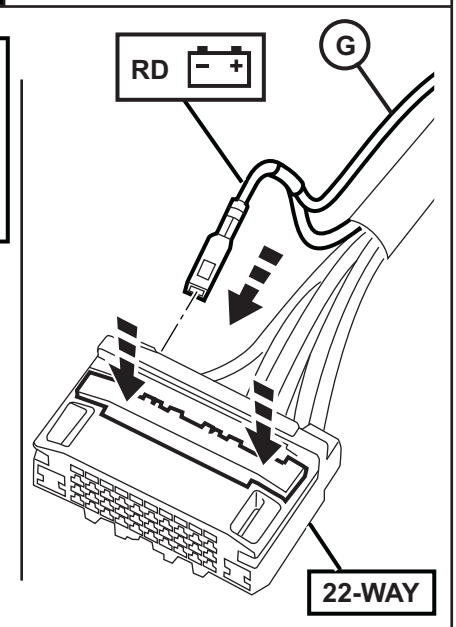
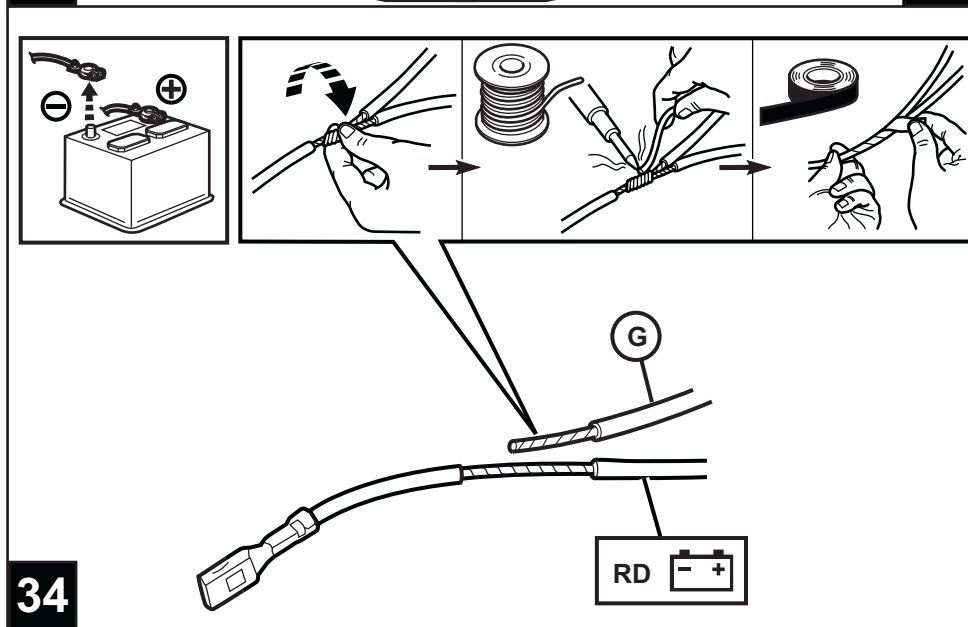
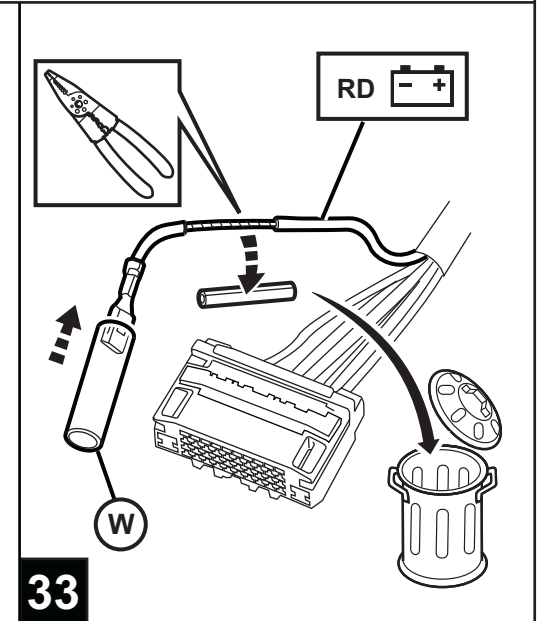
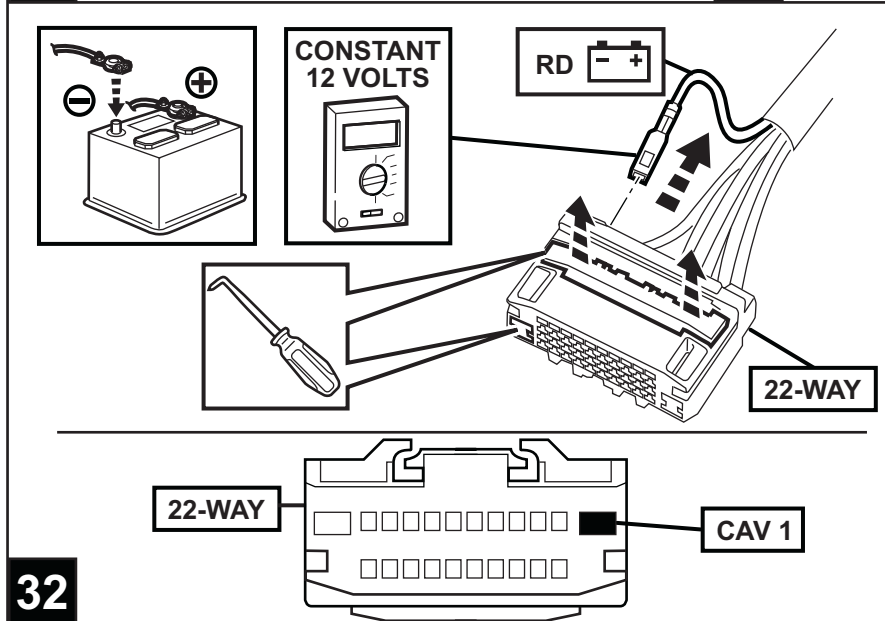
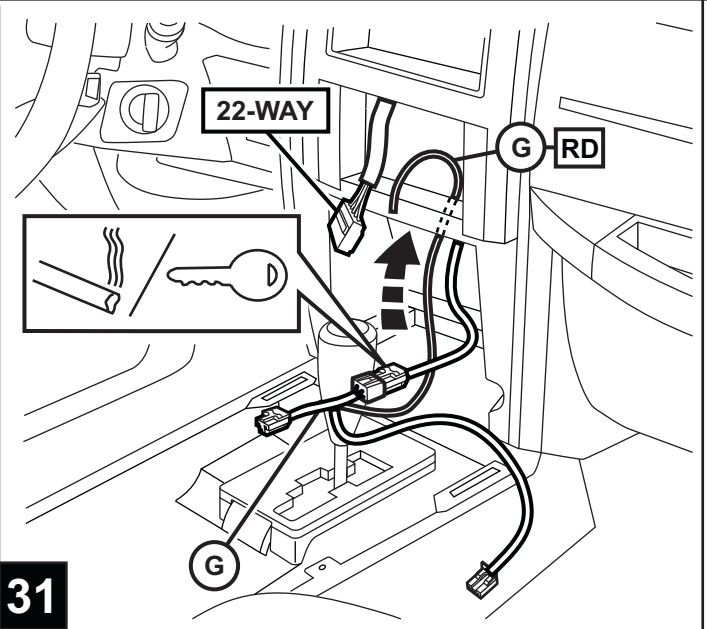
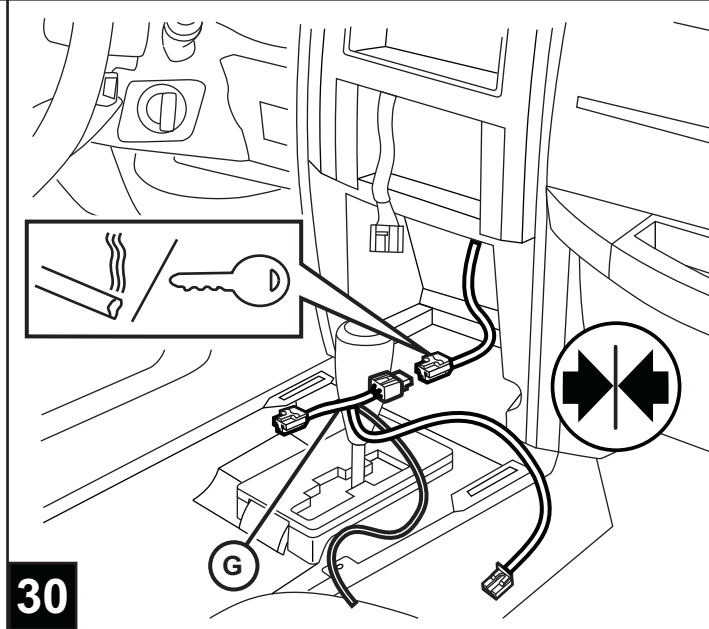
16

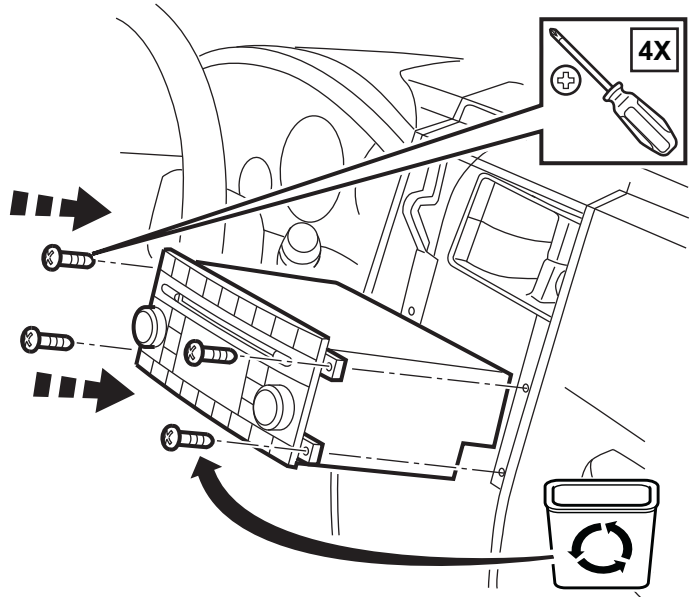
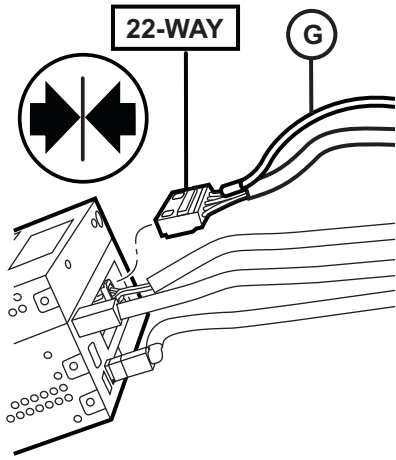
DODGE NITRO



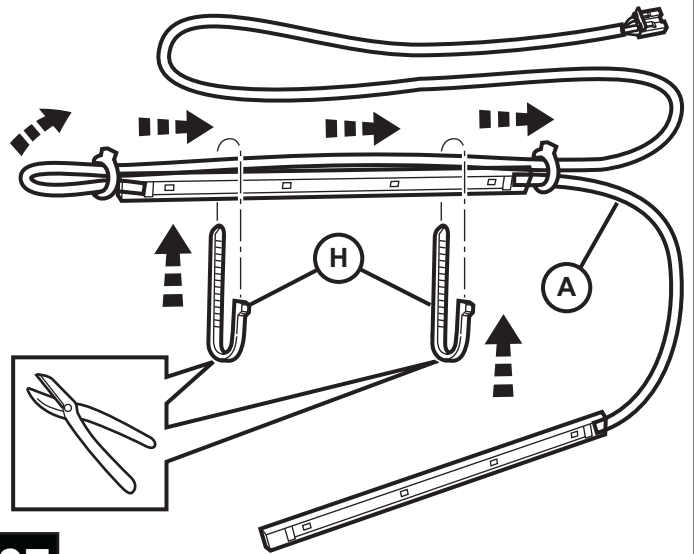
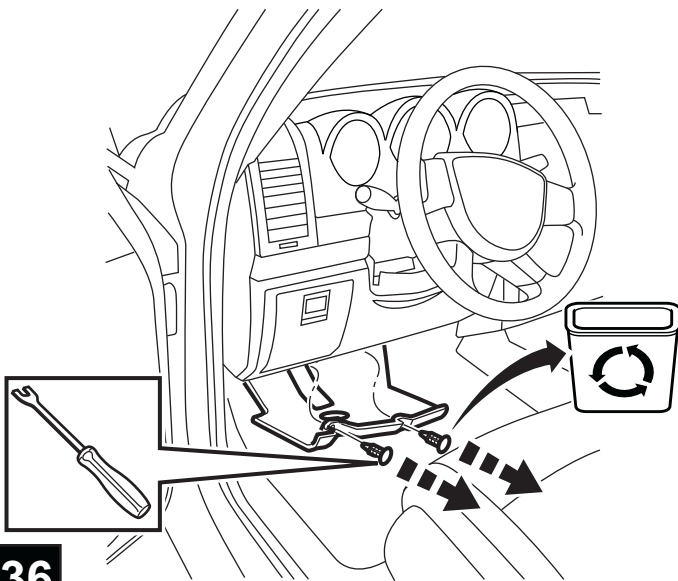


DODGE NITRO



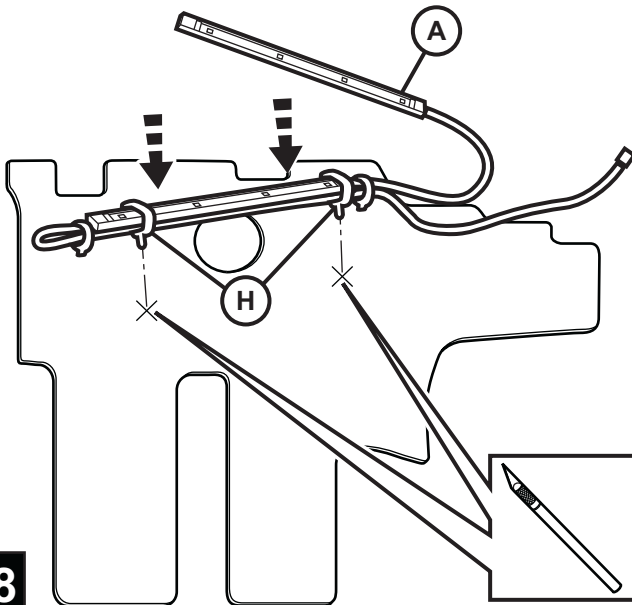


35

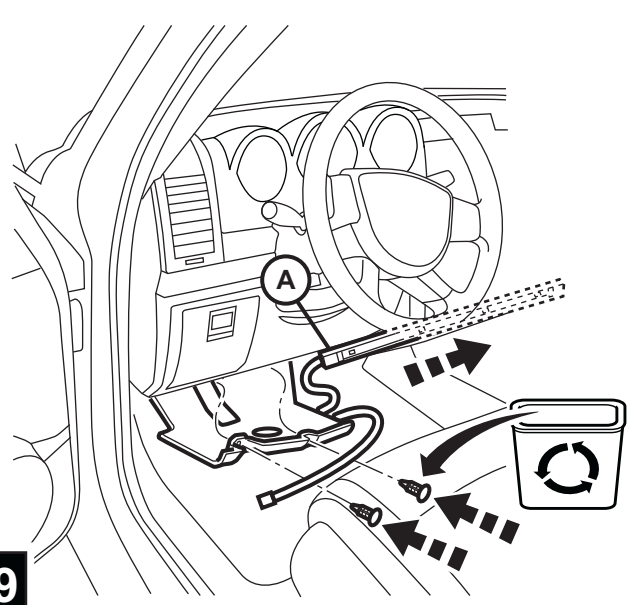


36

37

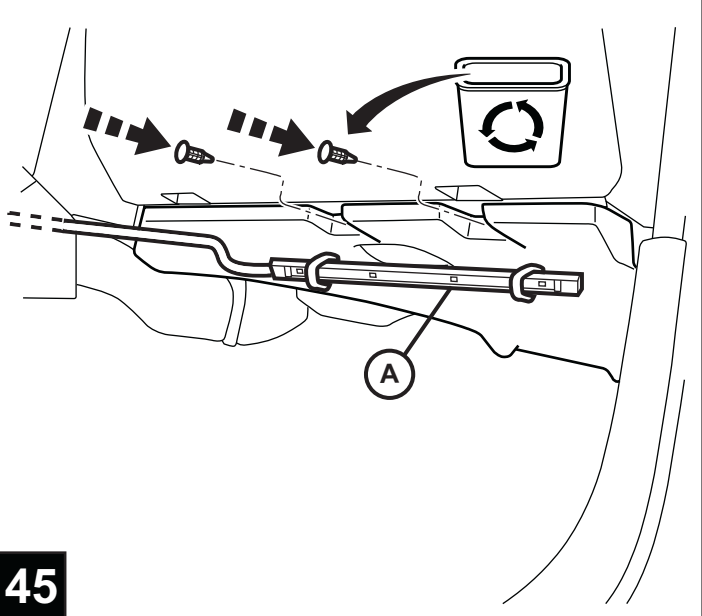
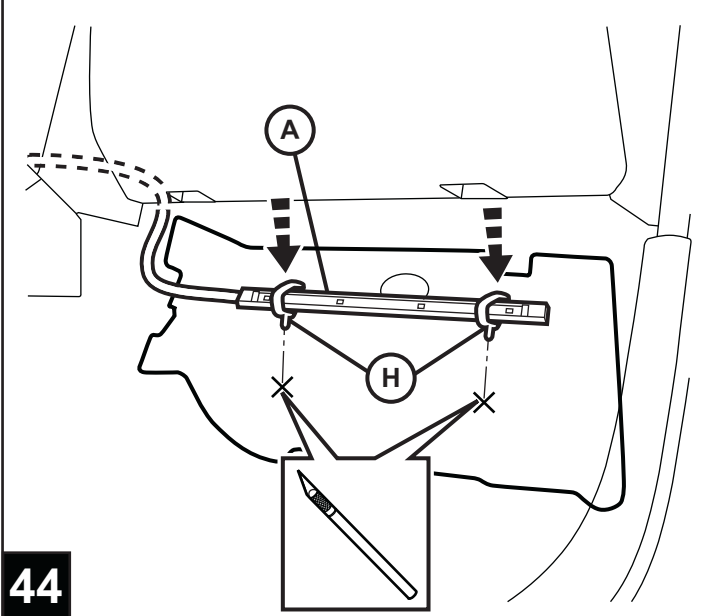
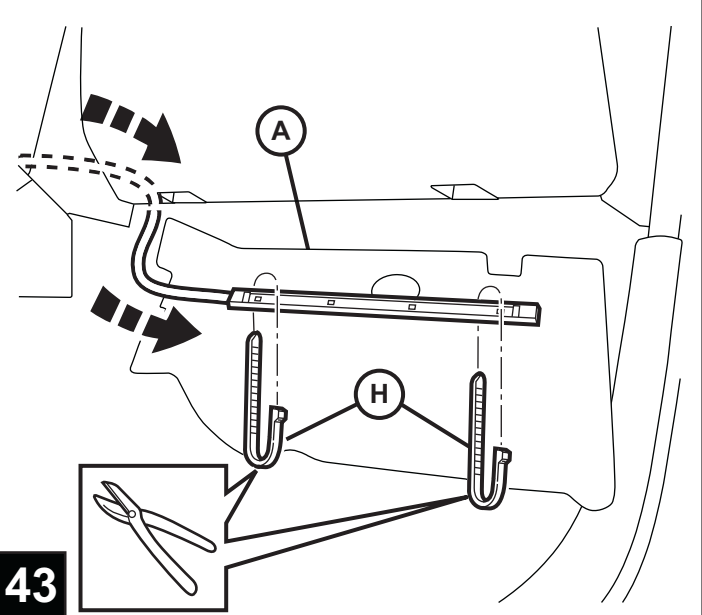
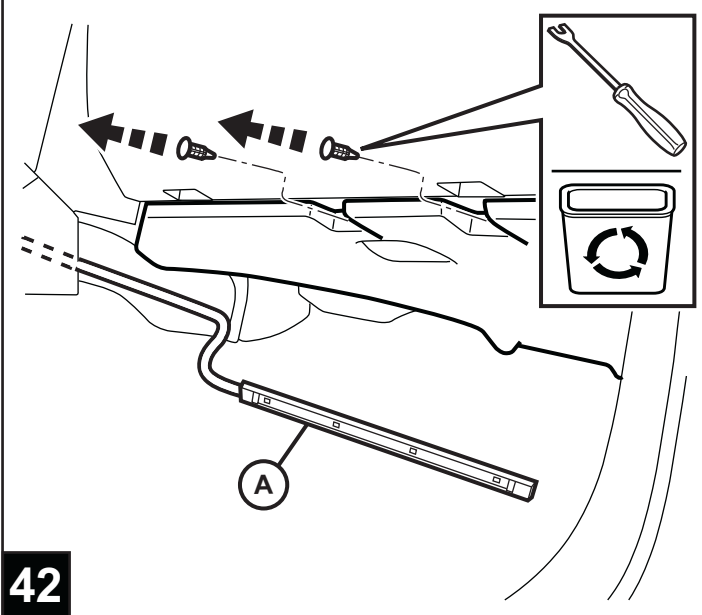
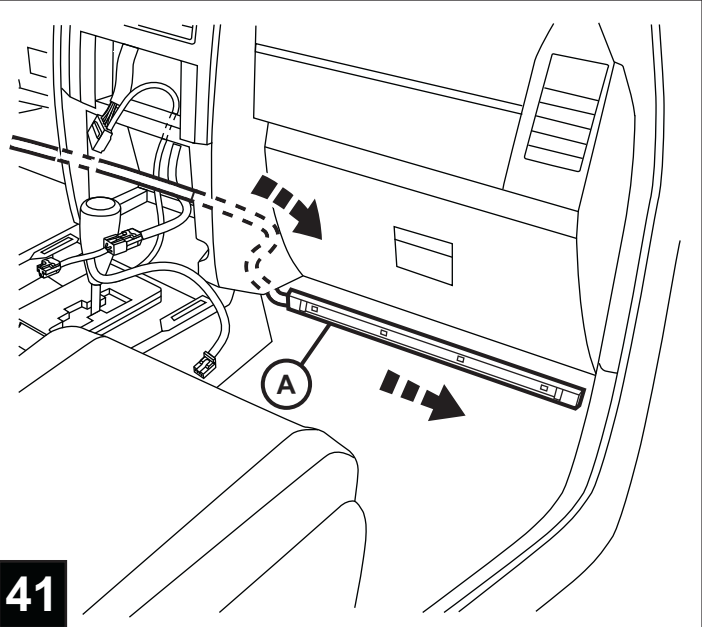
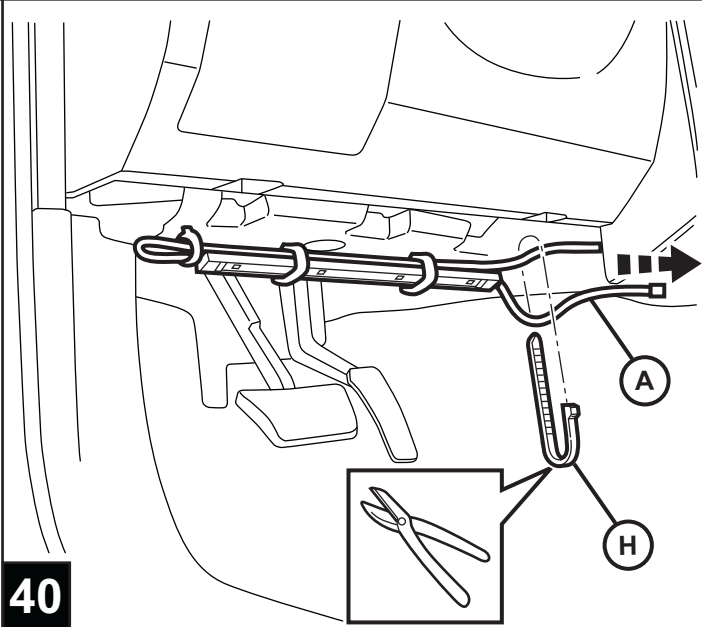


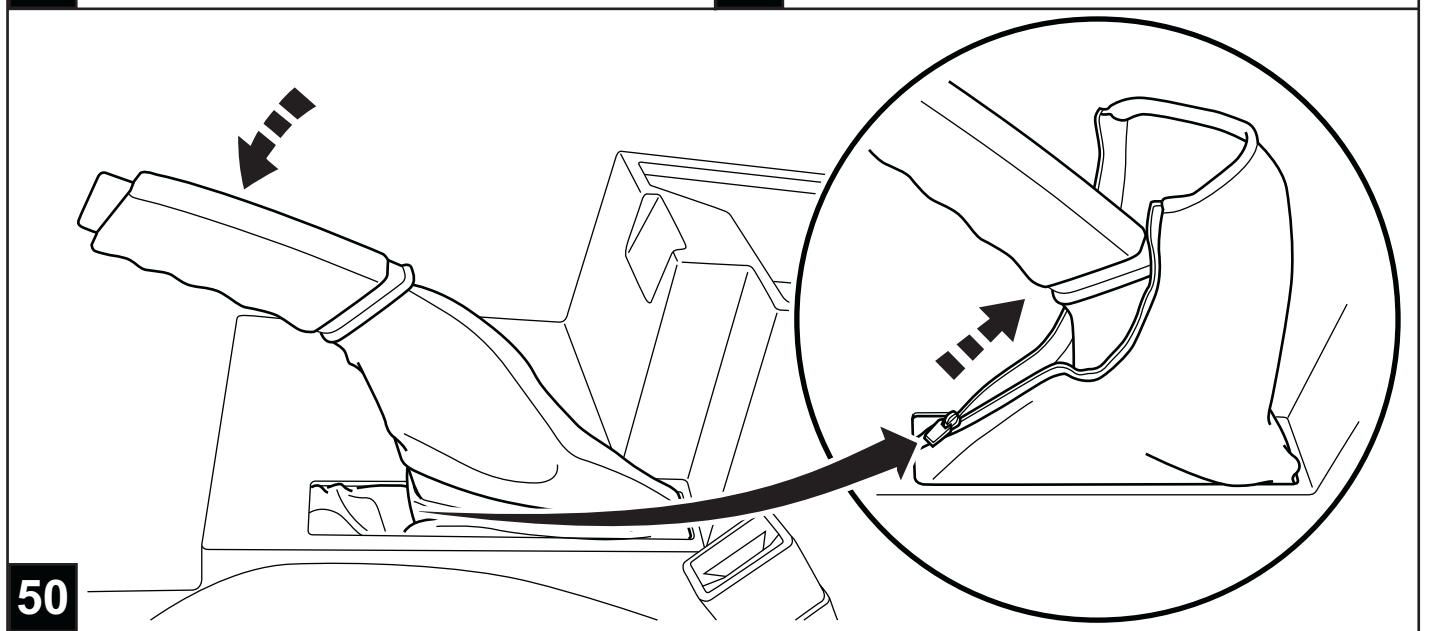
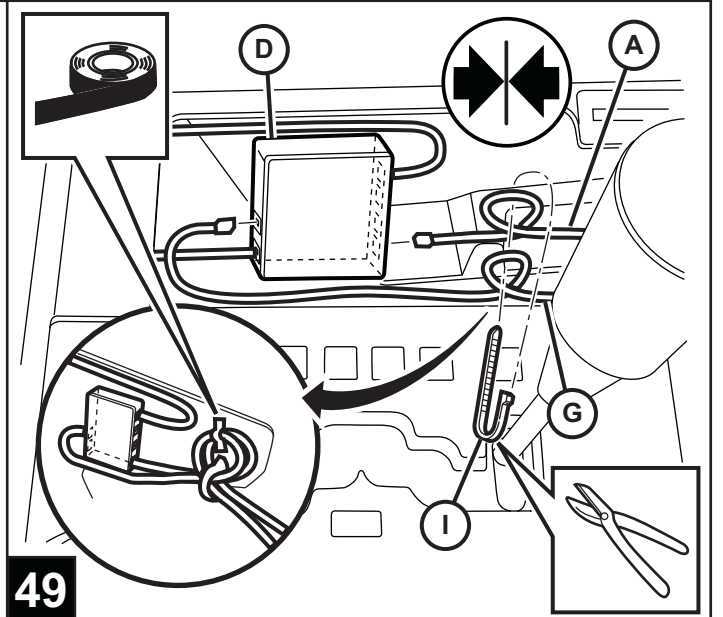
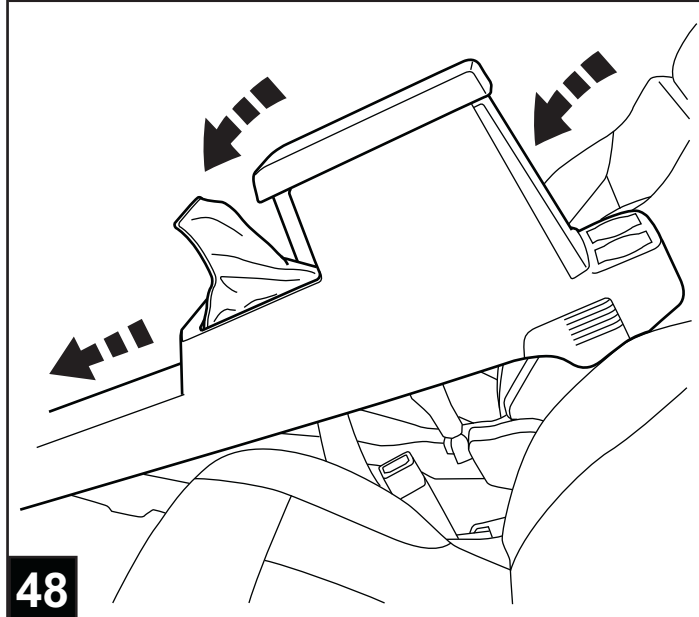
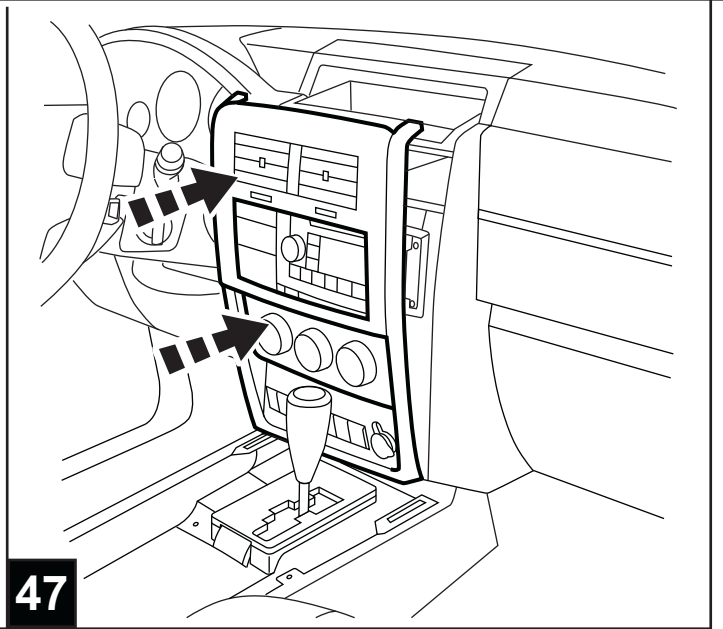
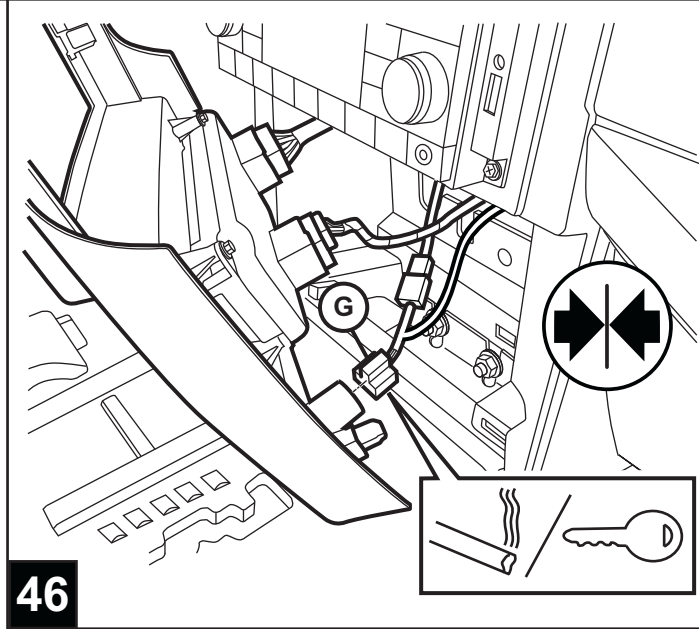
38



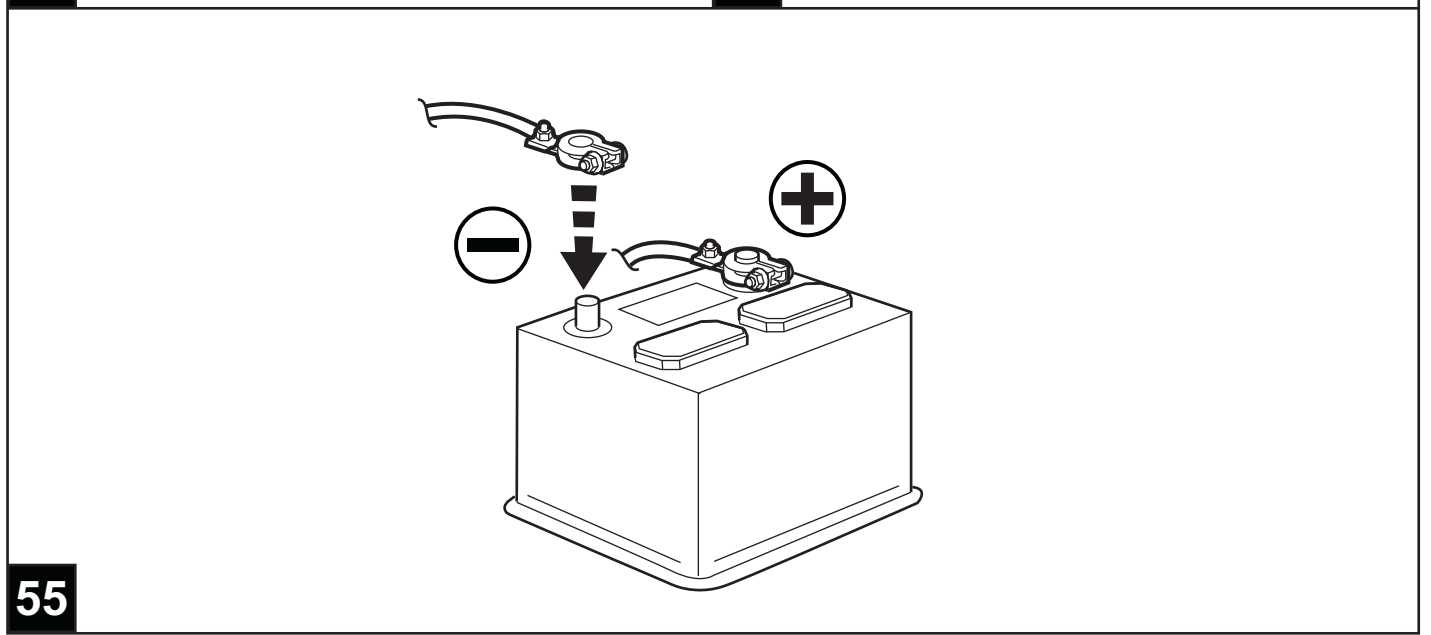
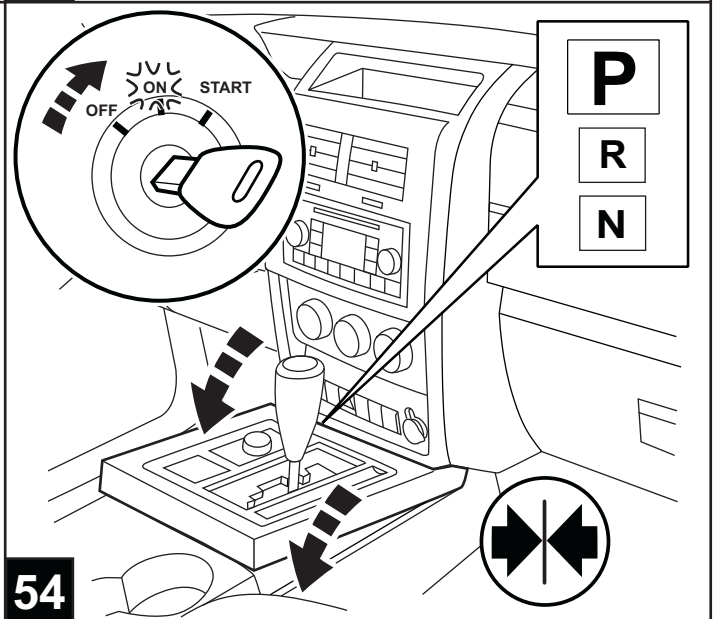
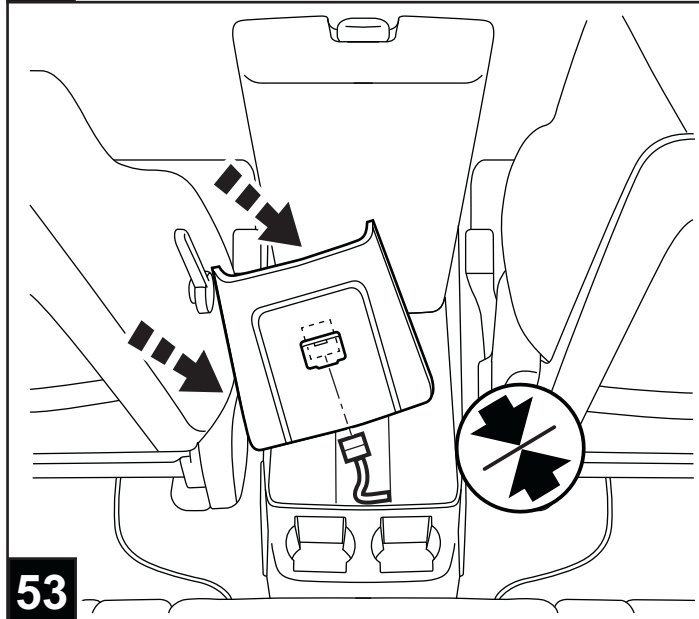
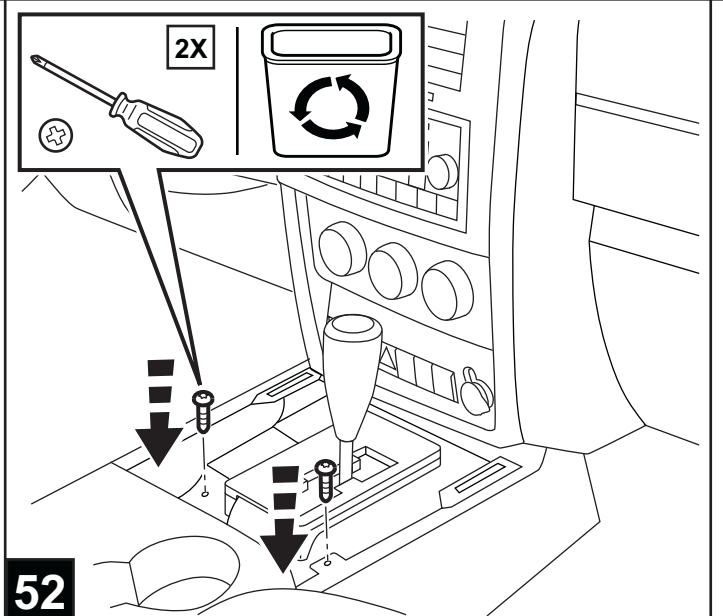
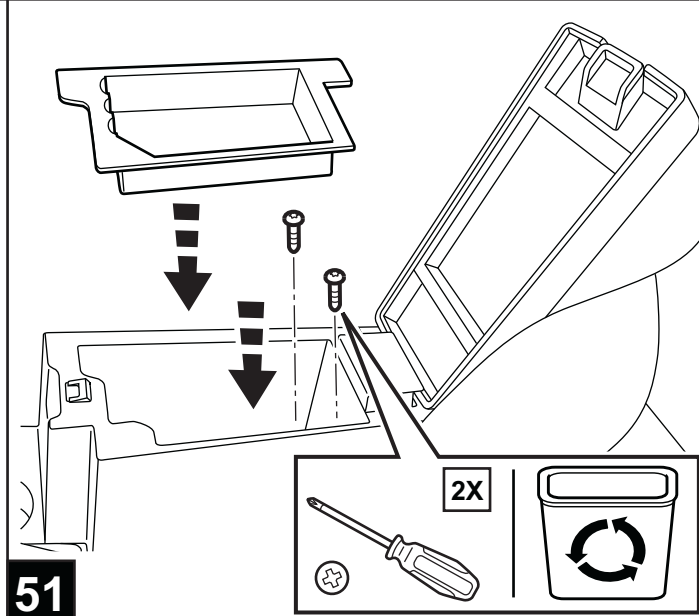
39

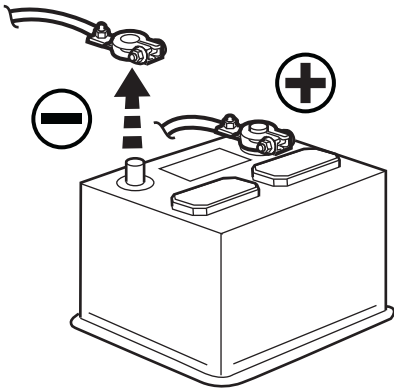
DODGE NITRO



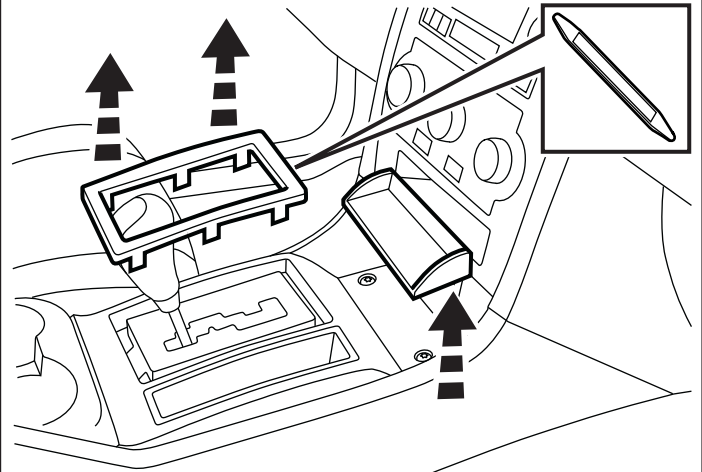


DODGE NITRO

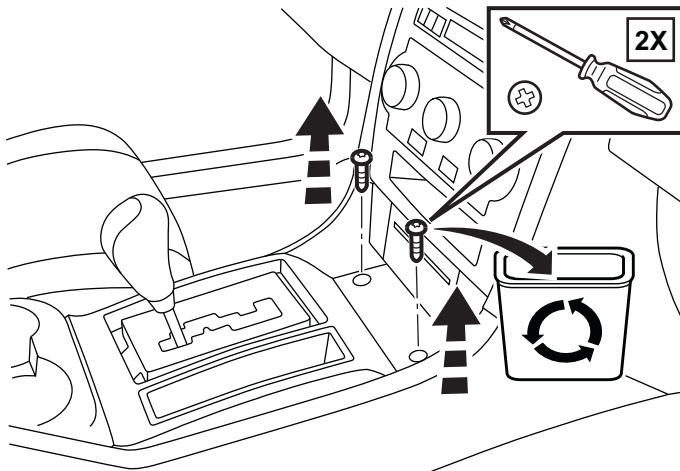




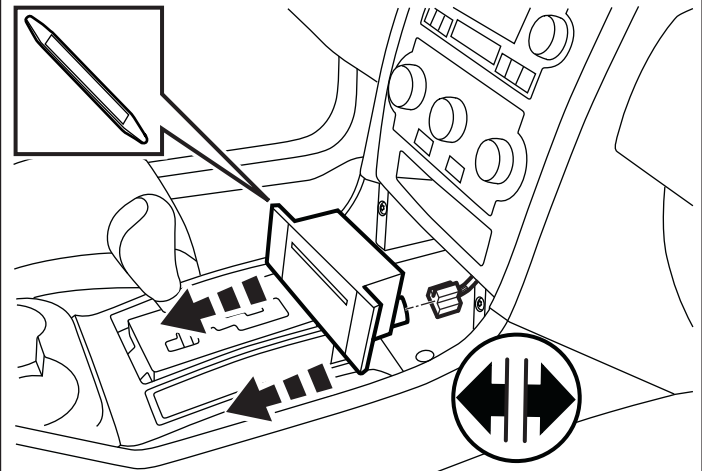
1



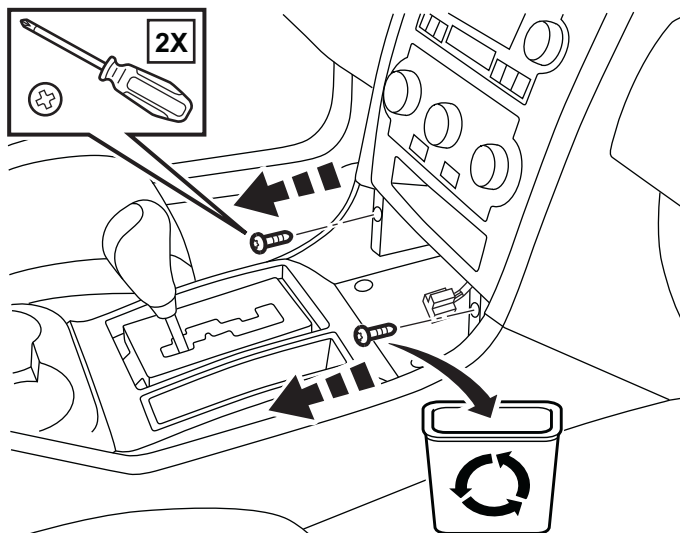
2



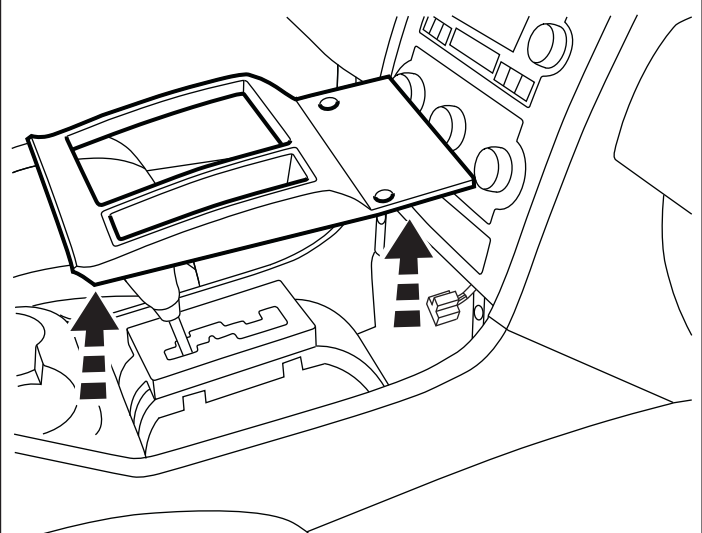
3



4

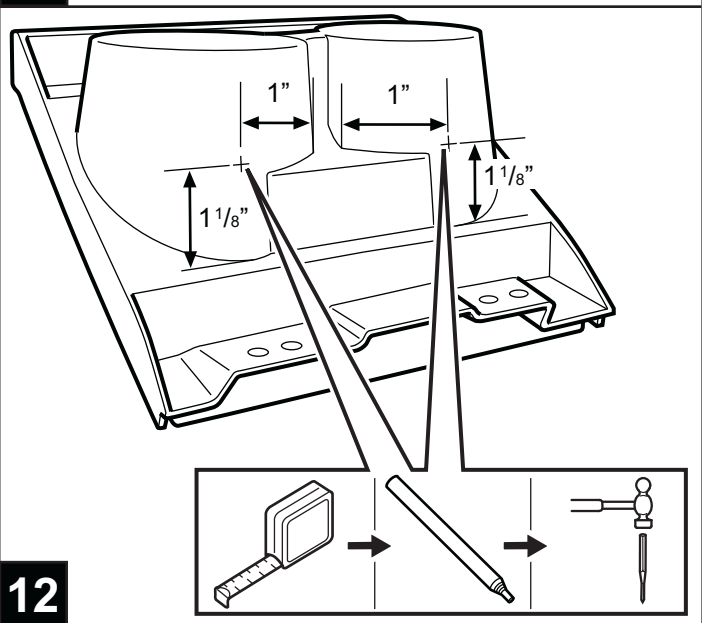
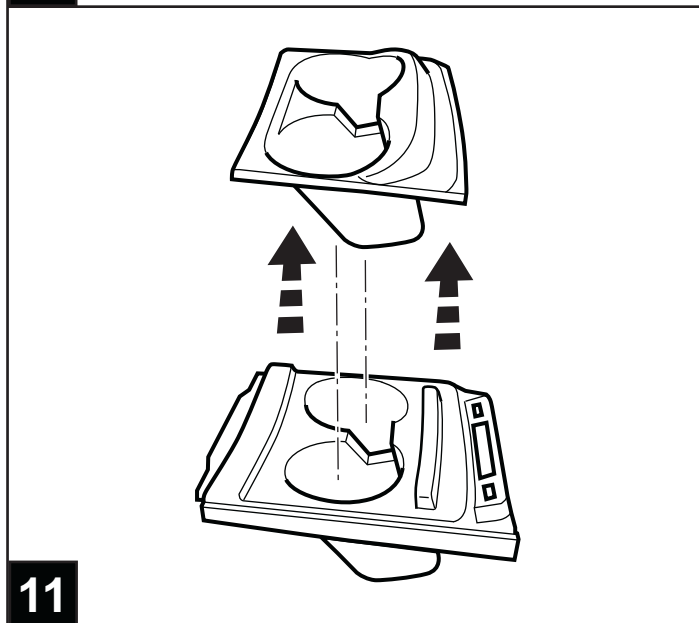
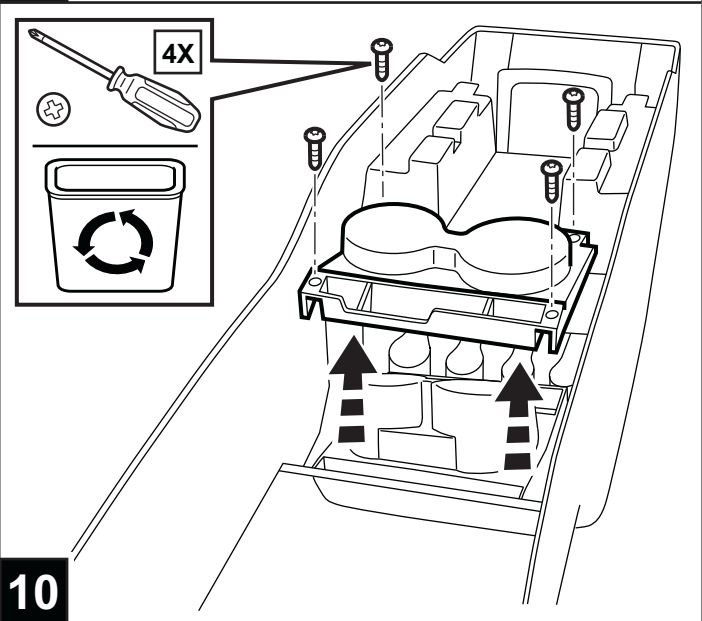
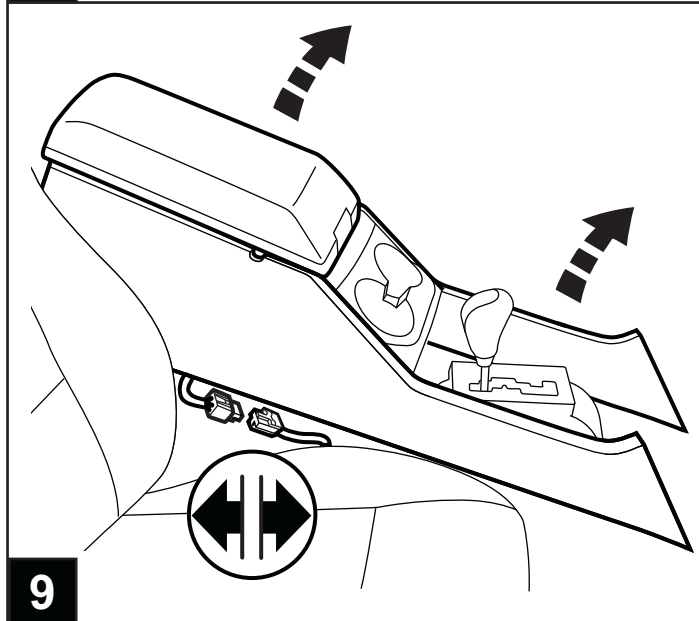
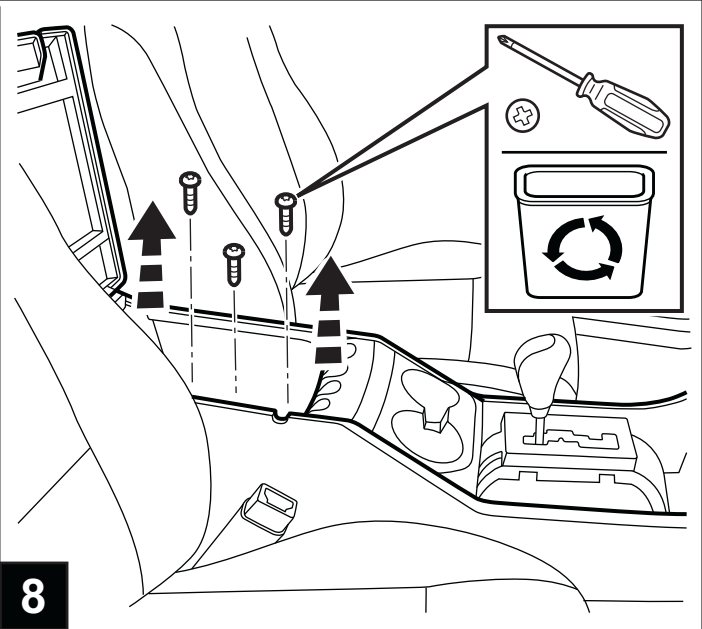
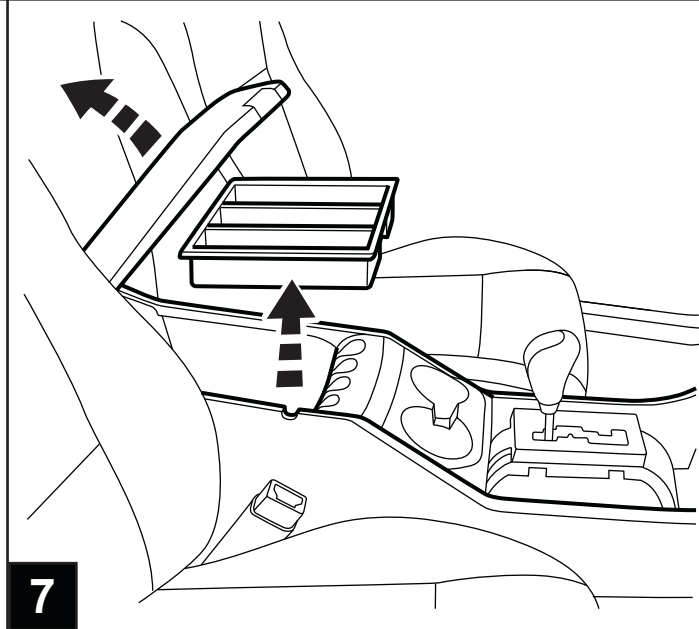


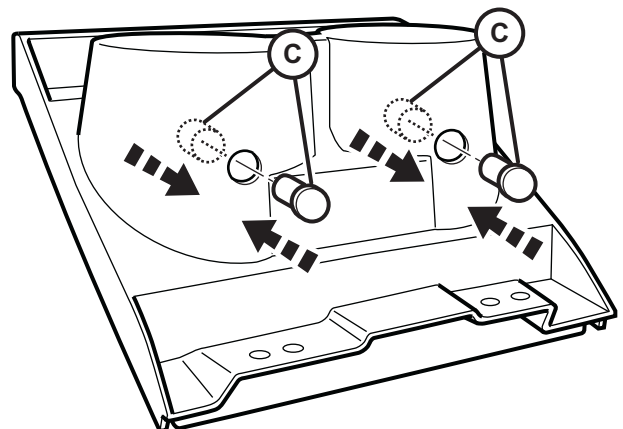
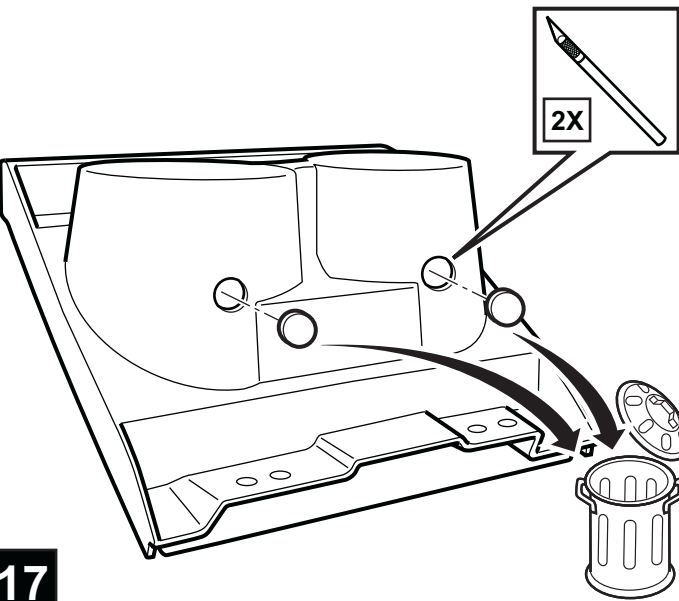
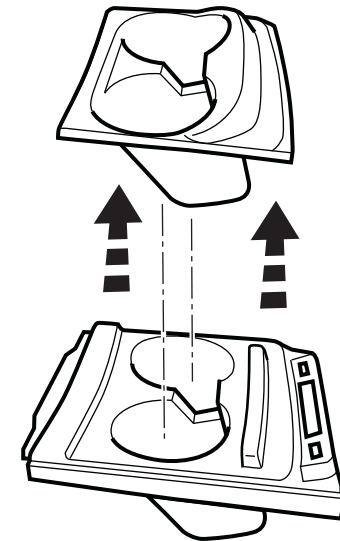
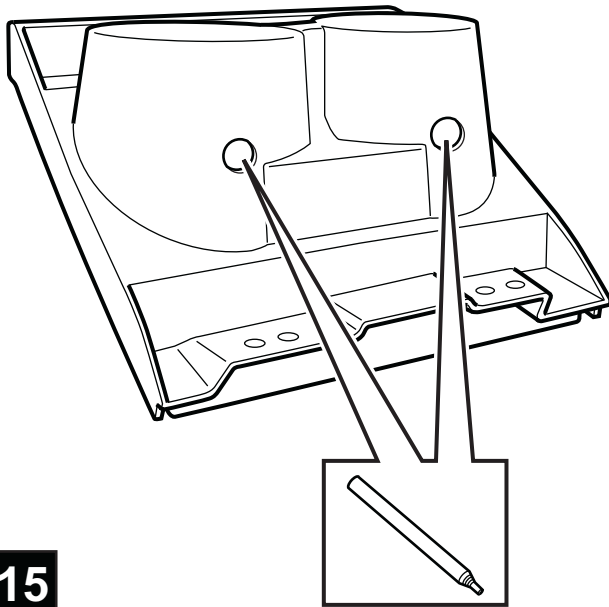
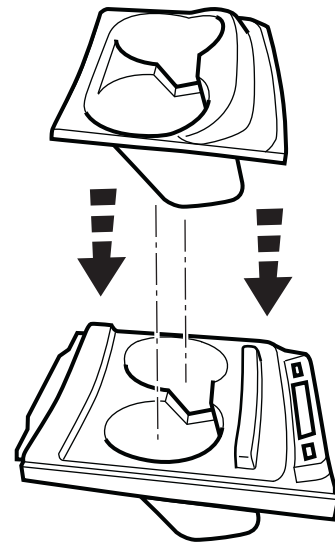
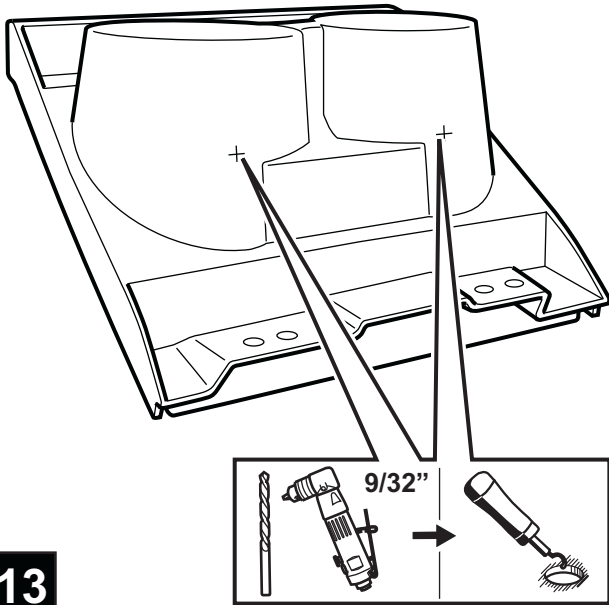
5



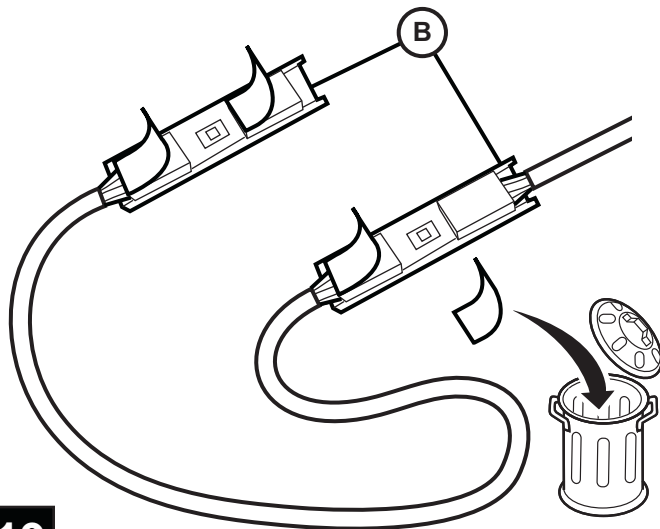
6

CHRYSLER 300 / DODGE CHARGER

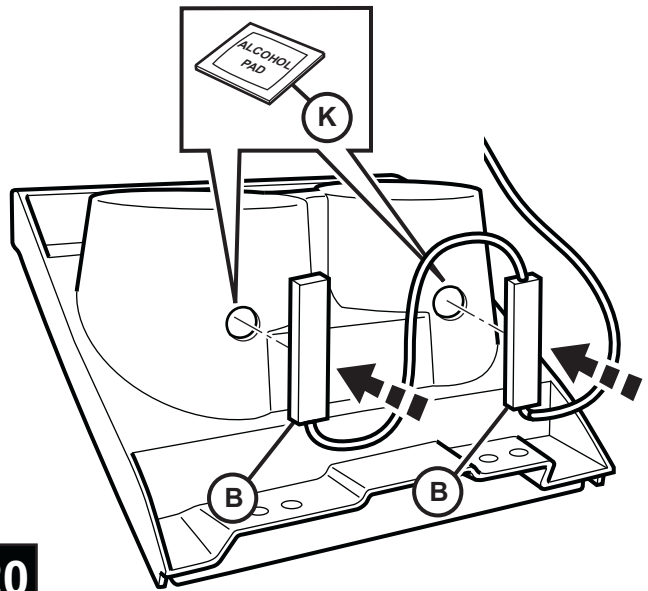




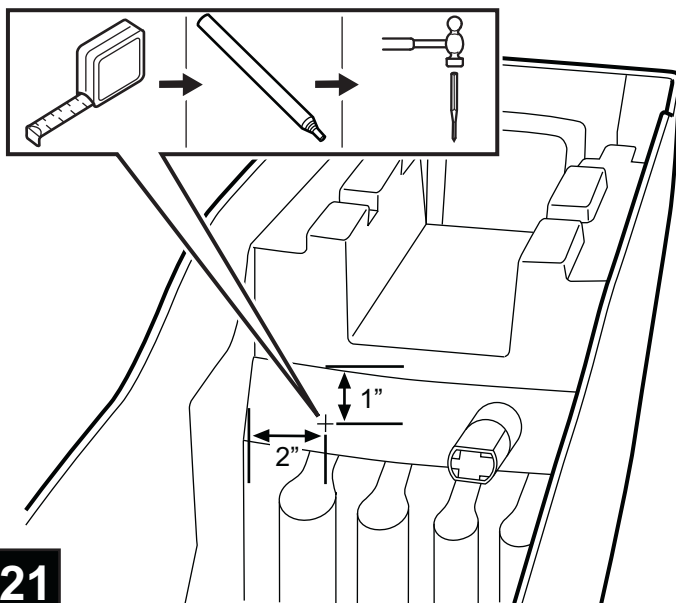
CHRYSLER 300 / DODGE CHARGER



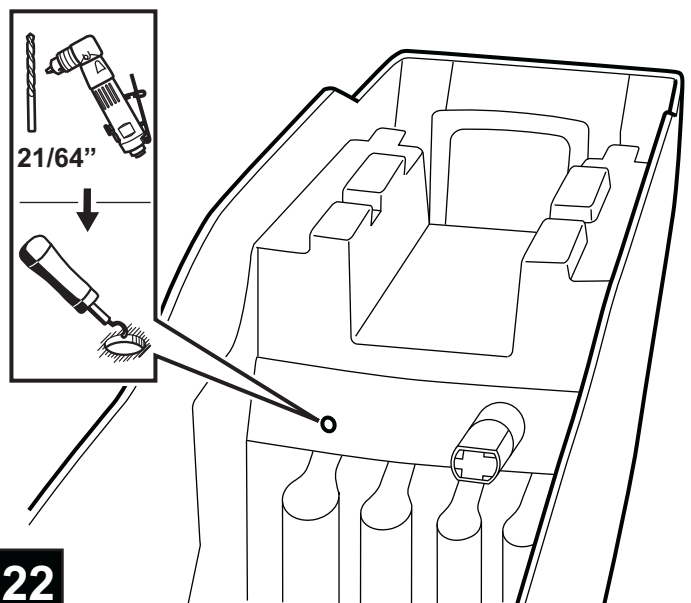
19



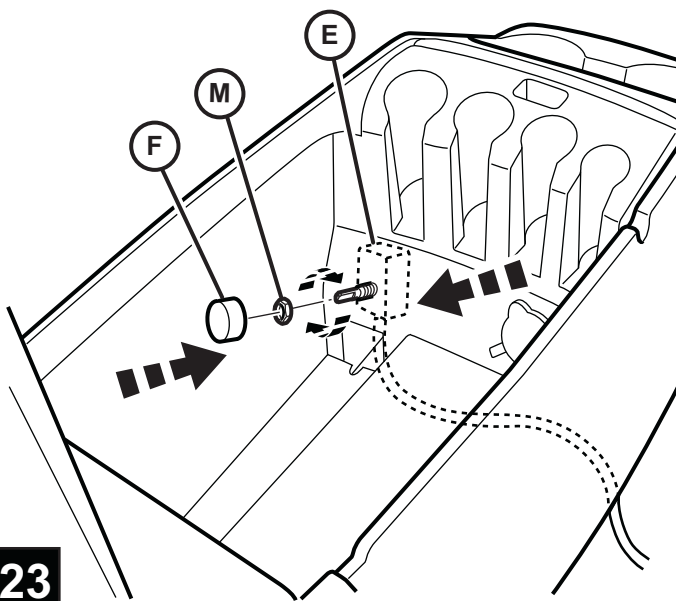
20



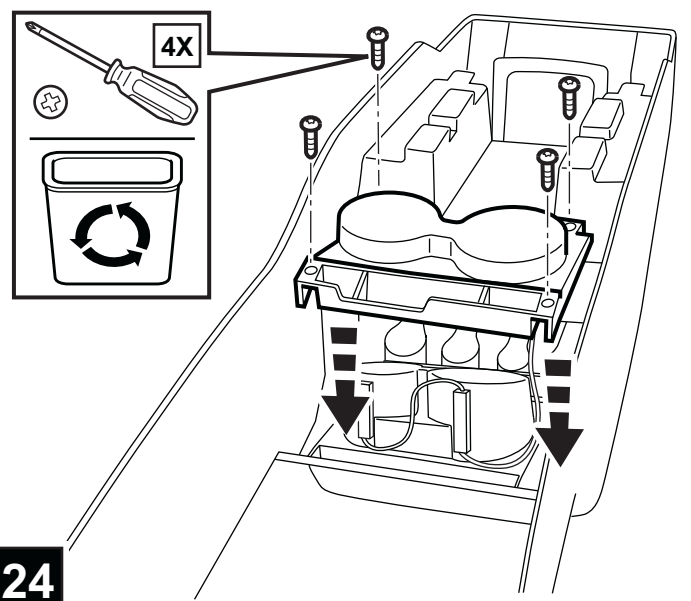
21



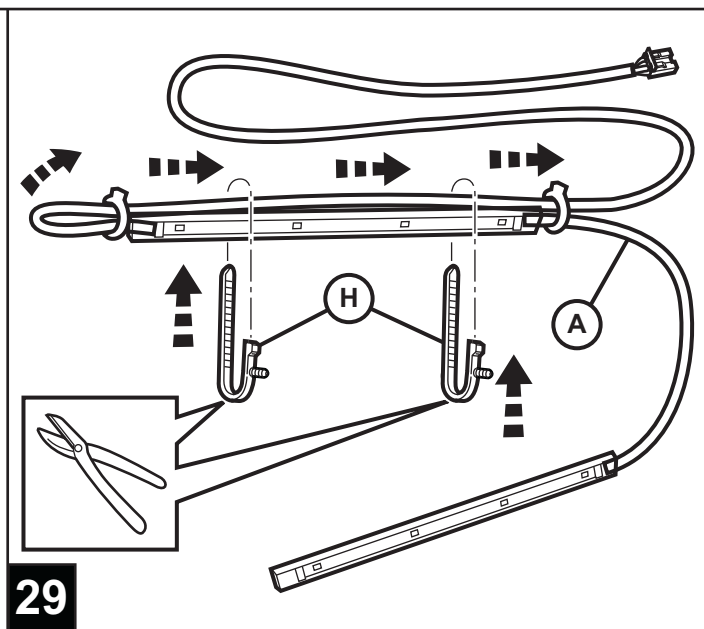
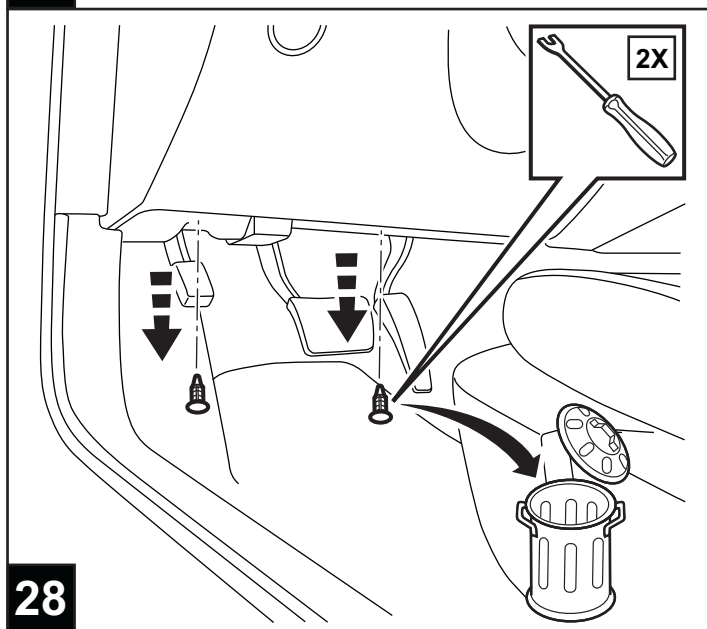
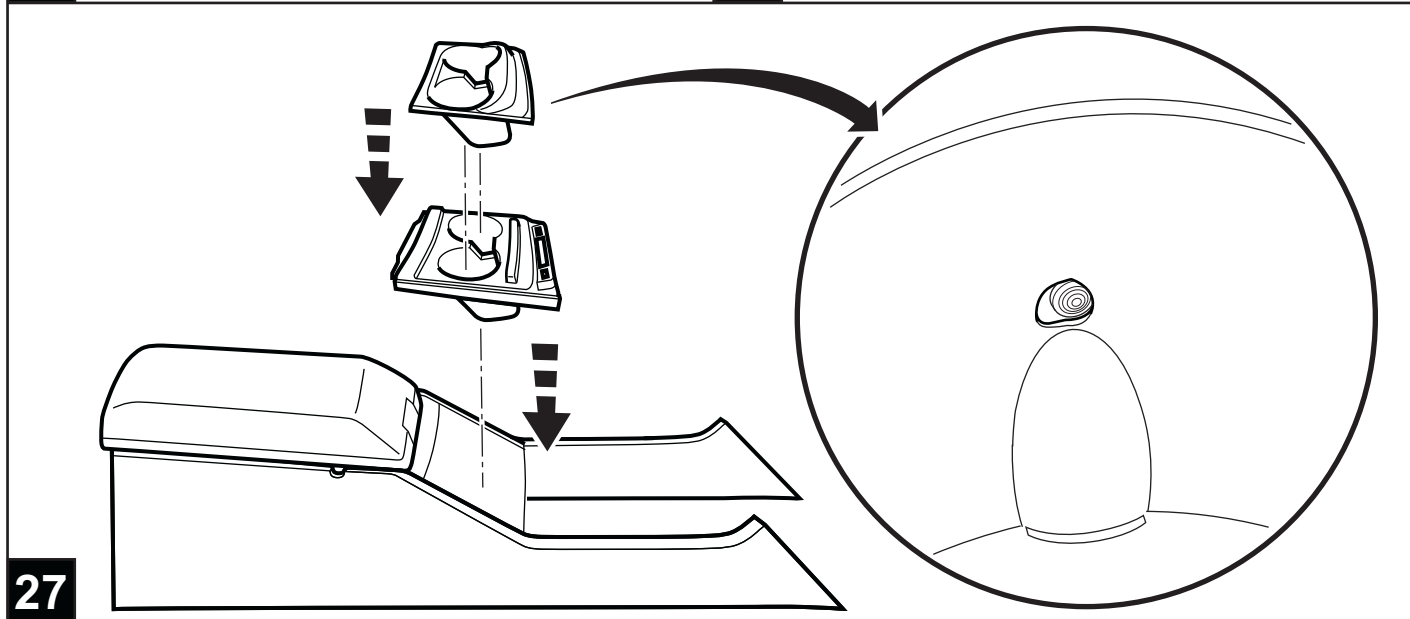
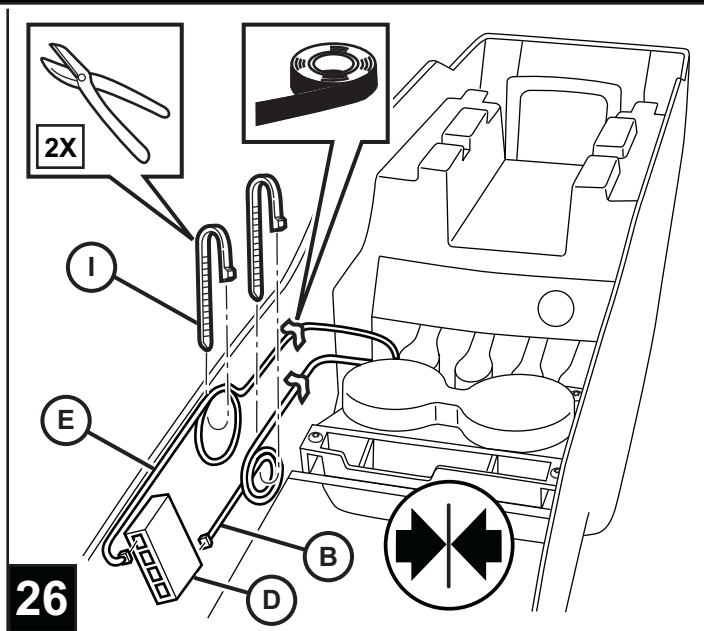
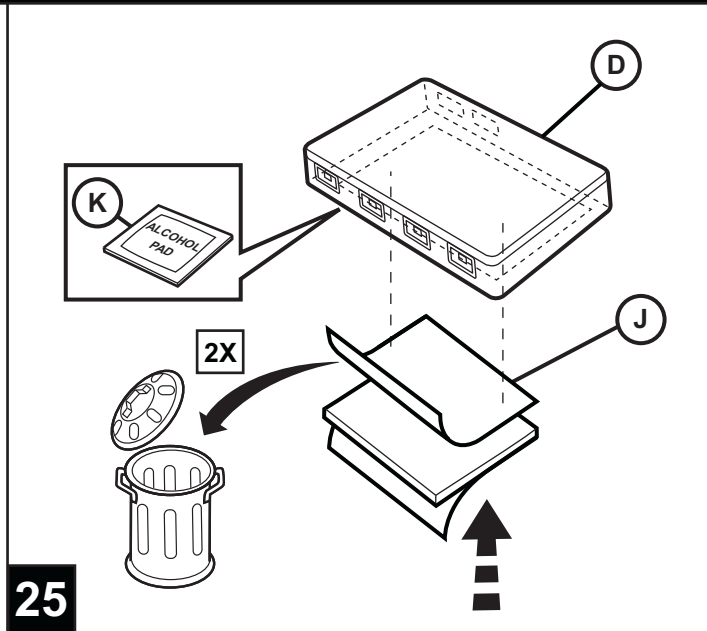
22



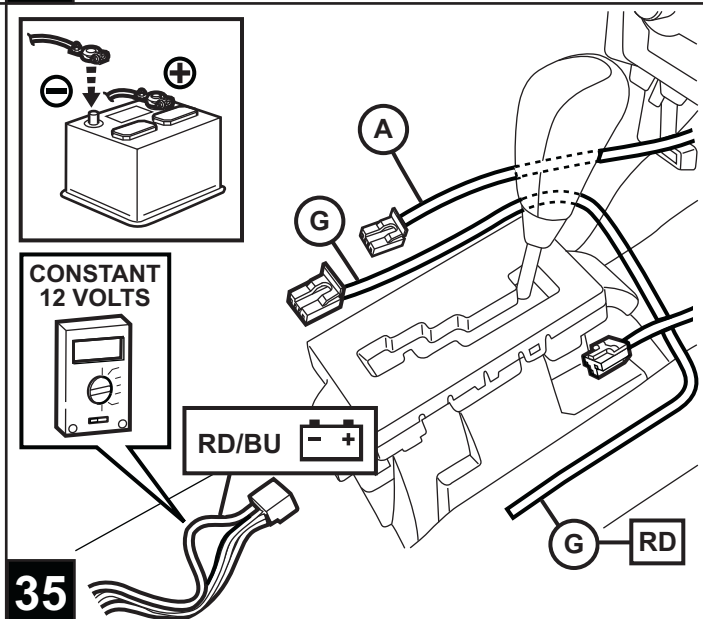
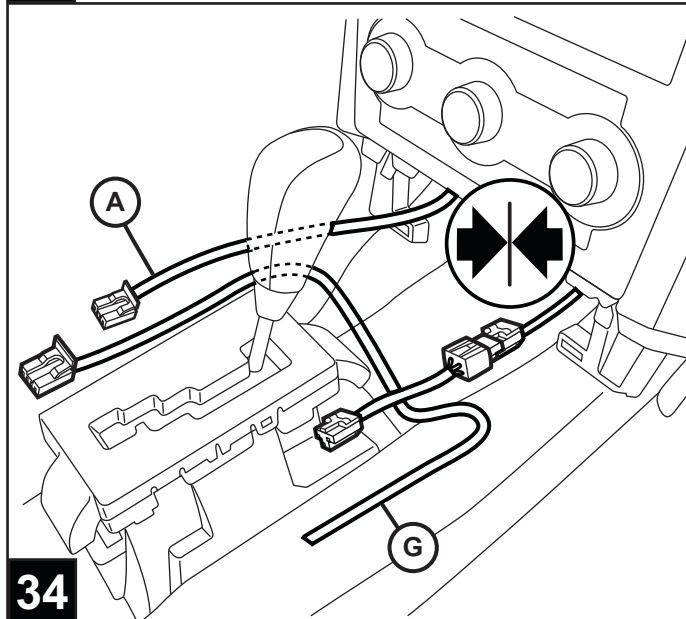
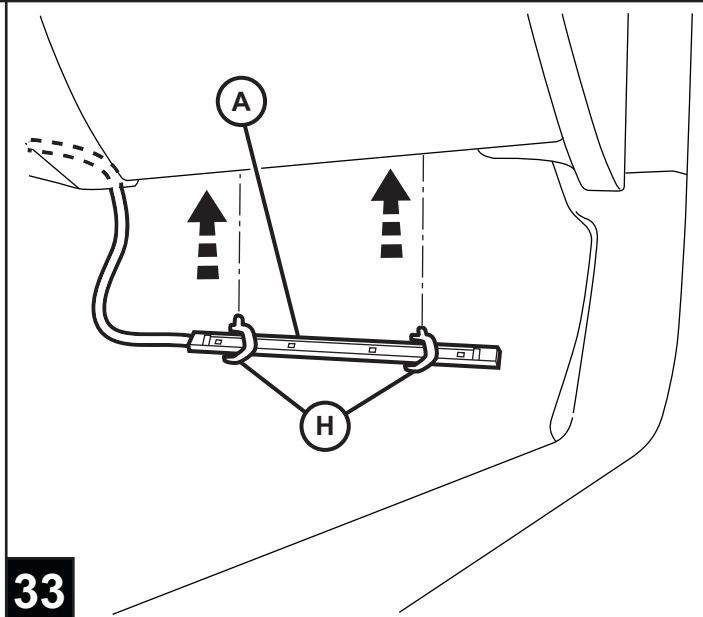
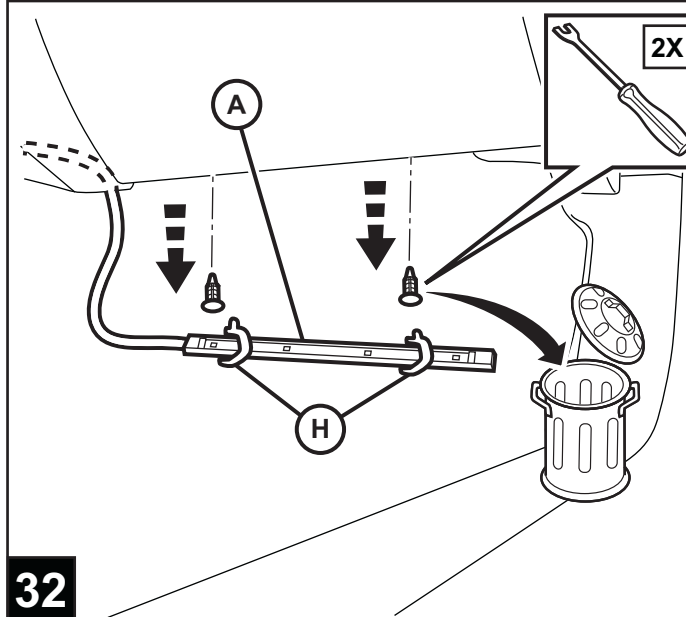
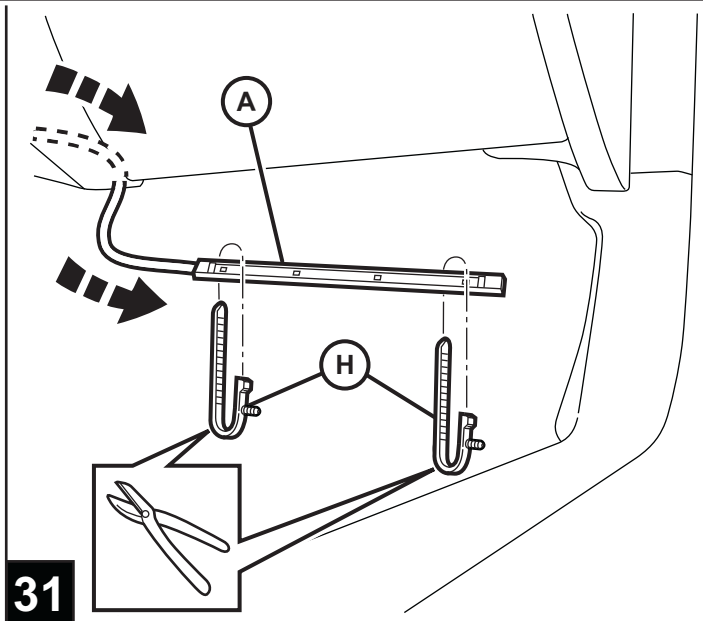
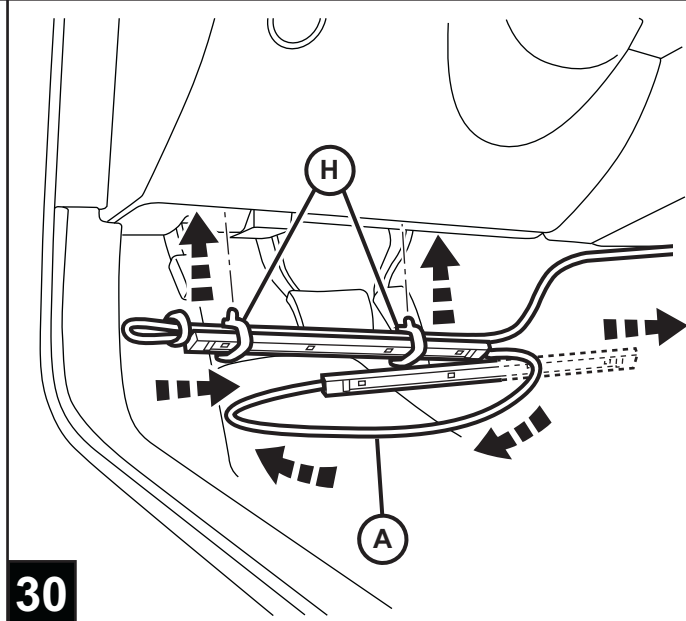
23

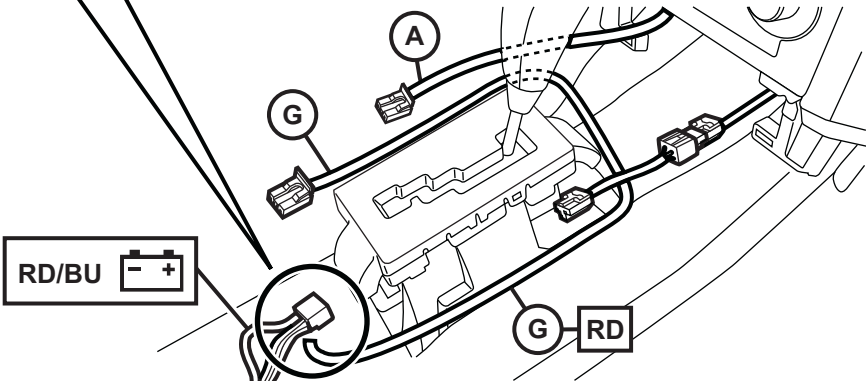
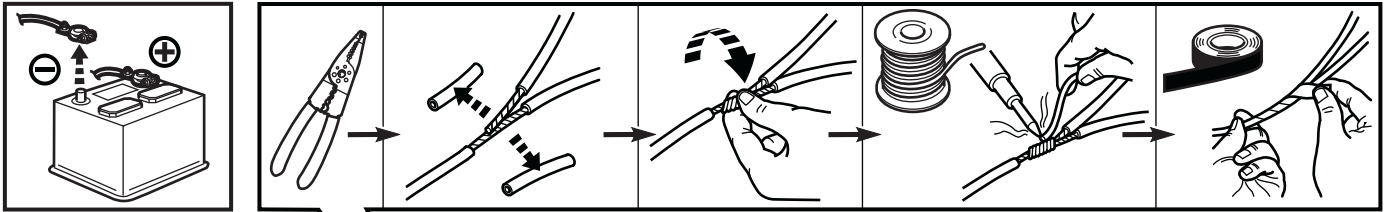


24

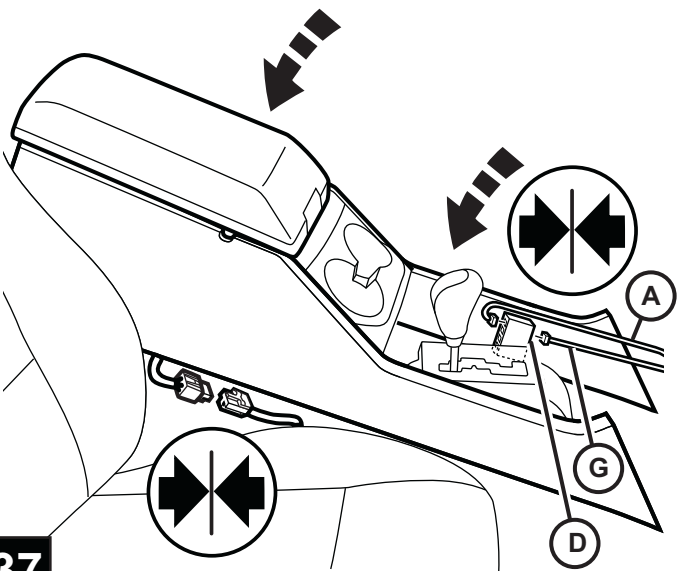


CHRYSLER 300 / DODGE CHARGER

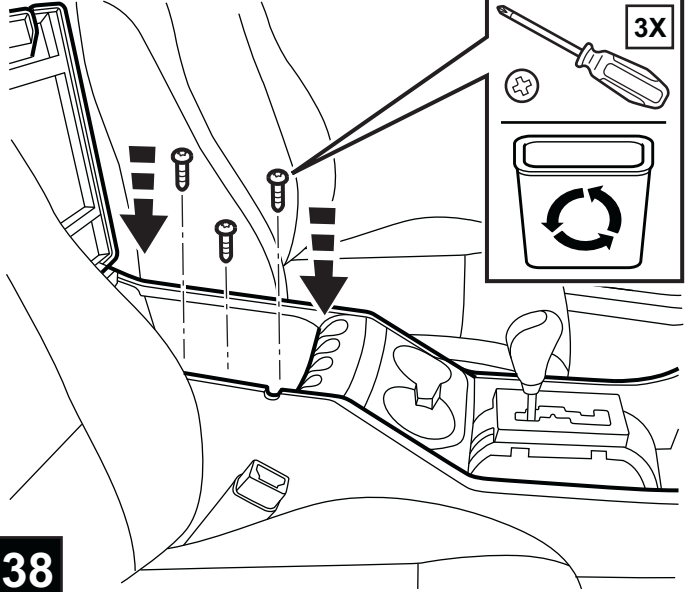




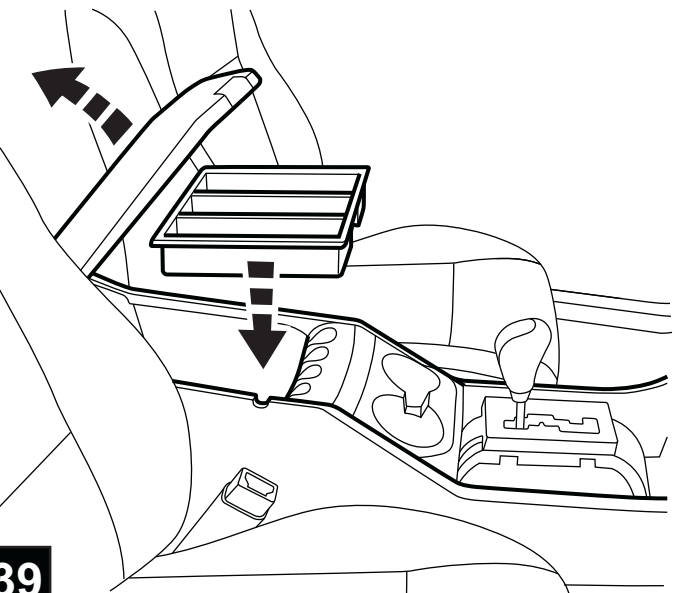
36



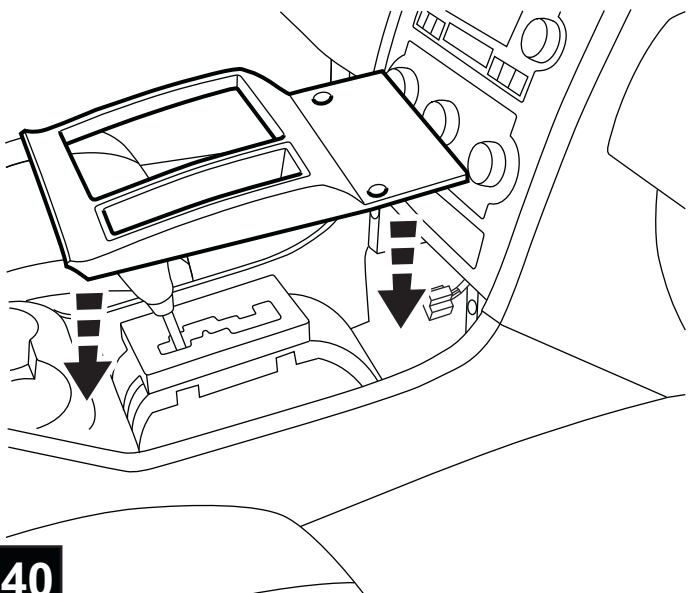
37



38

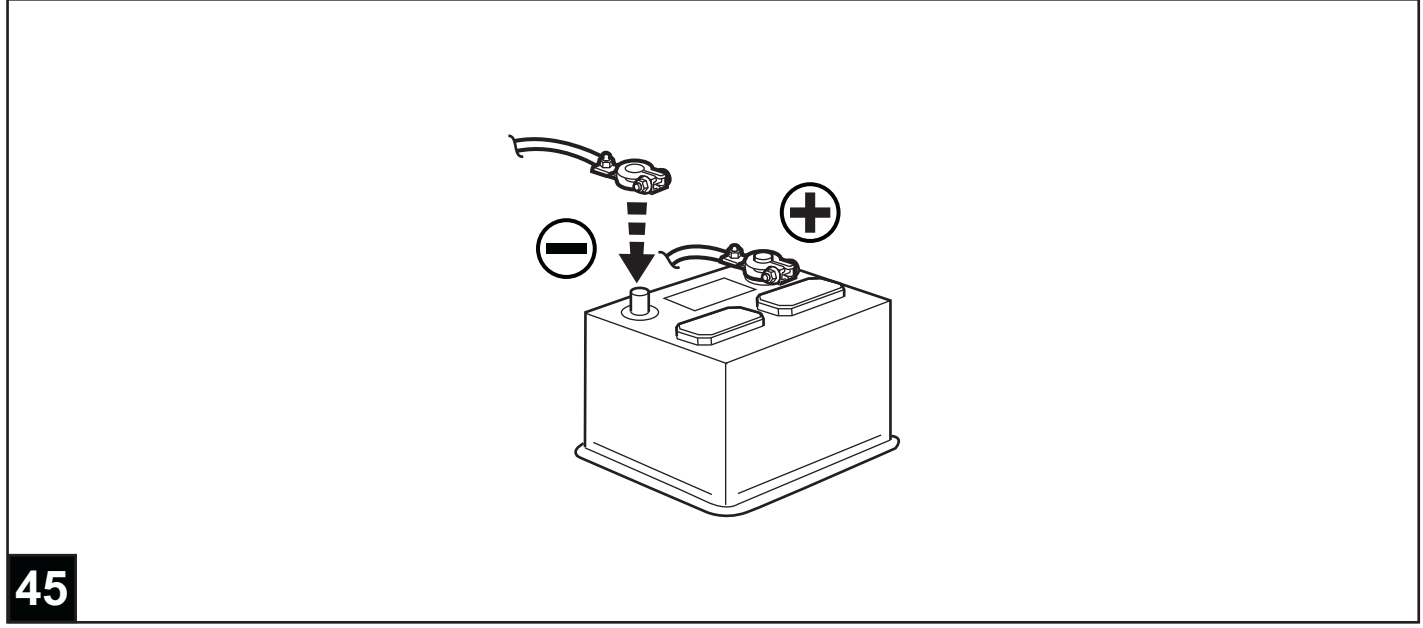
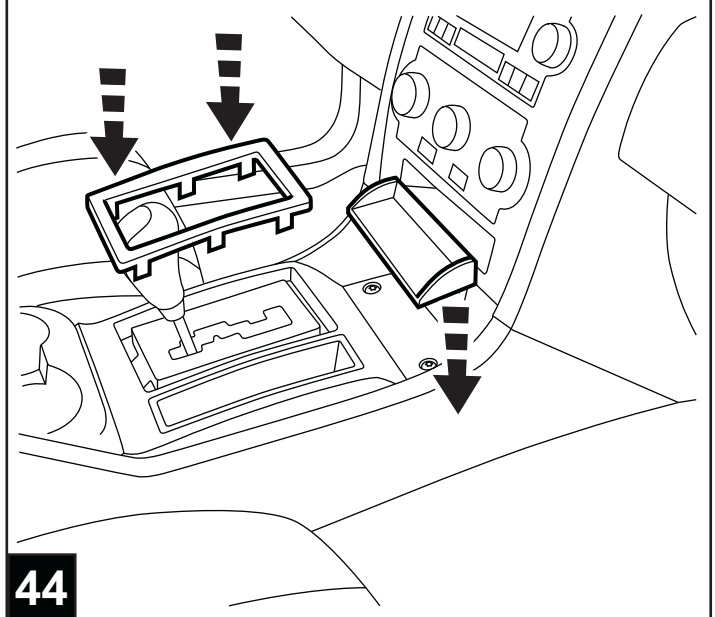
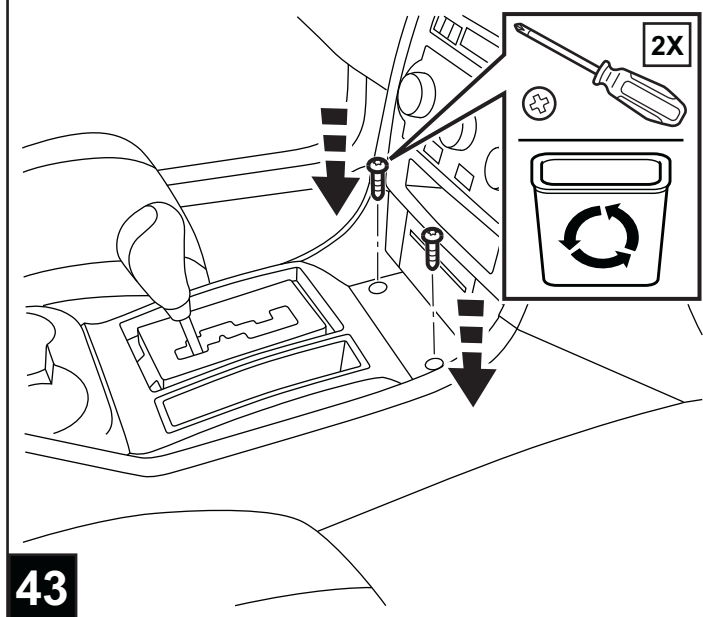
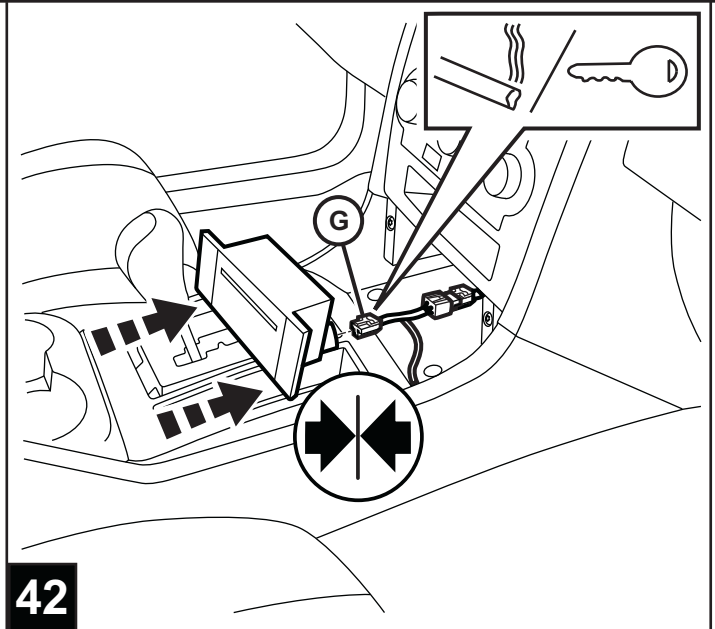
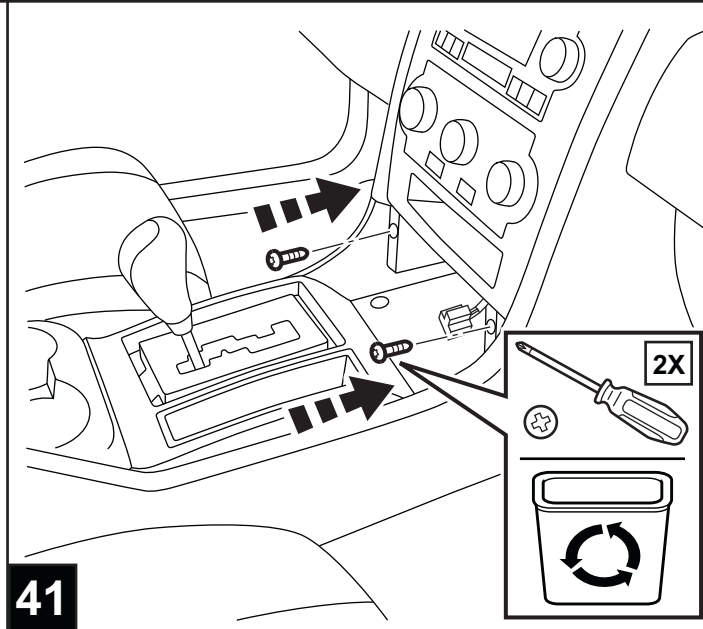


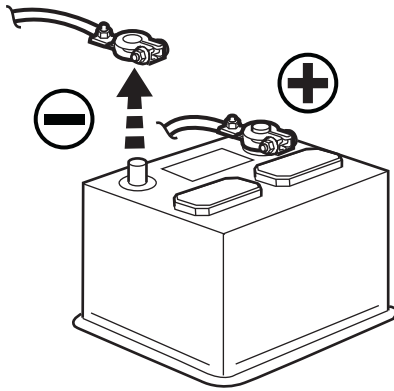
39



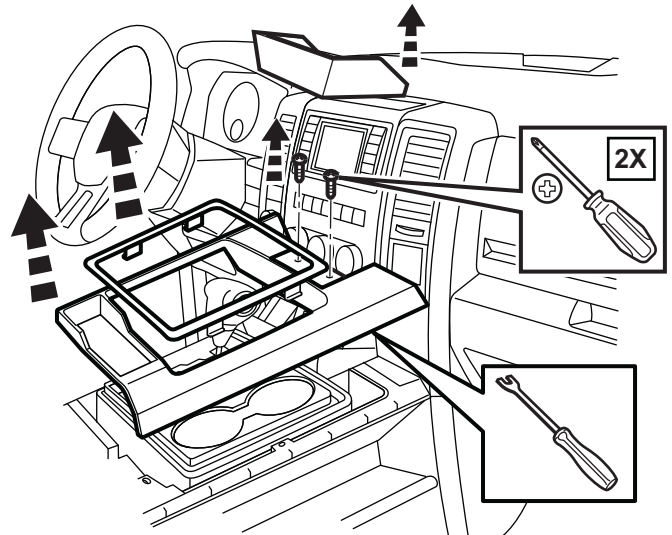
40

CHRYSLER 300 / DODGE CHARGER



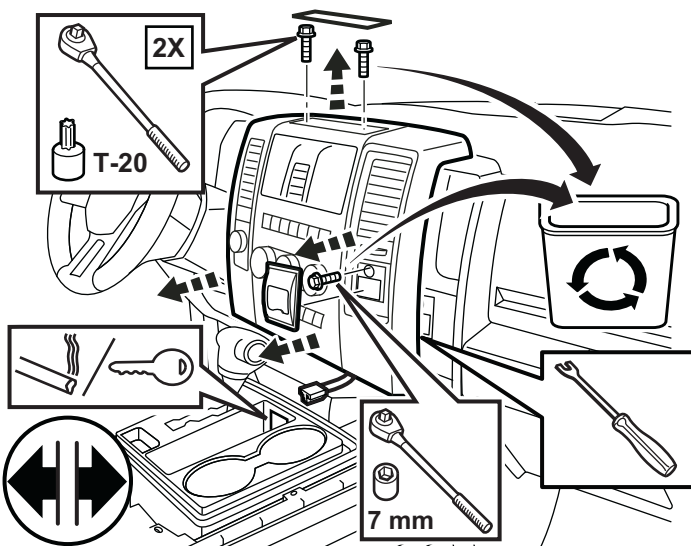


1



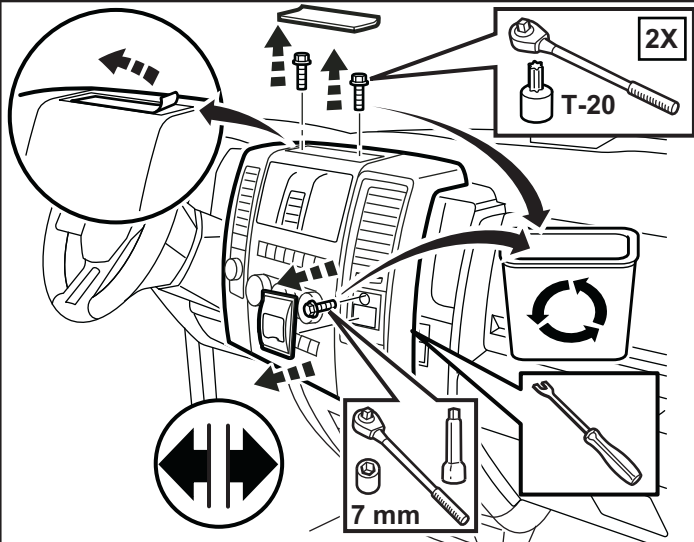
2

AUTOMATIC WITH CENTER CONSOLE



3

AUTOMATIC WITH CENTER CONSOLE



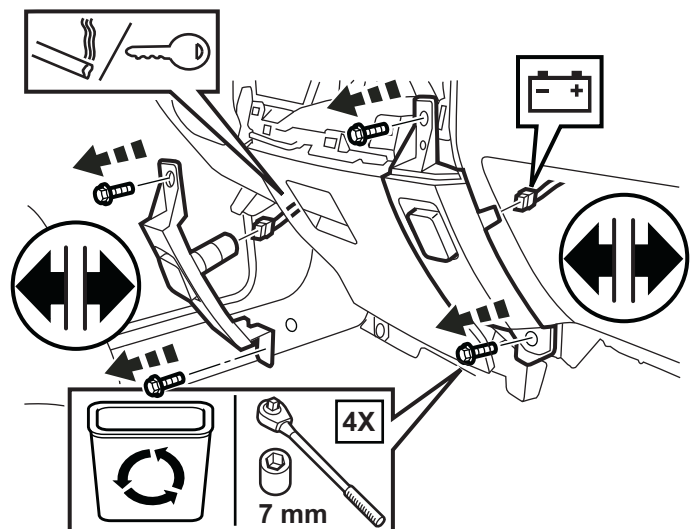
4

AUTOMATIC WITHOUT CENTER CONSOLE SHOWN
MANUAL TRANSMISSION SIMILAR



5

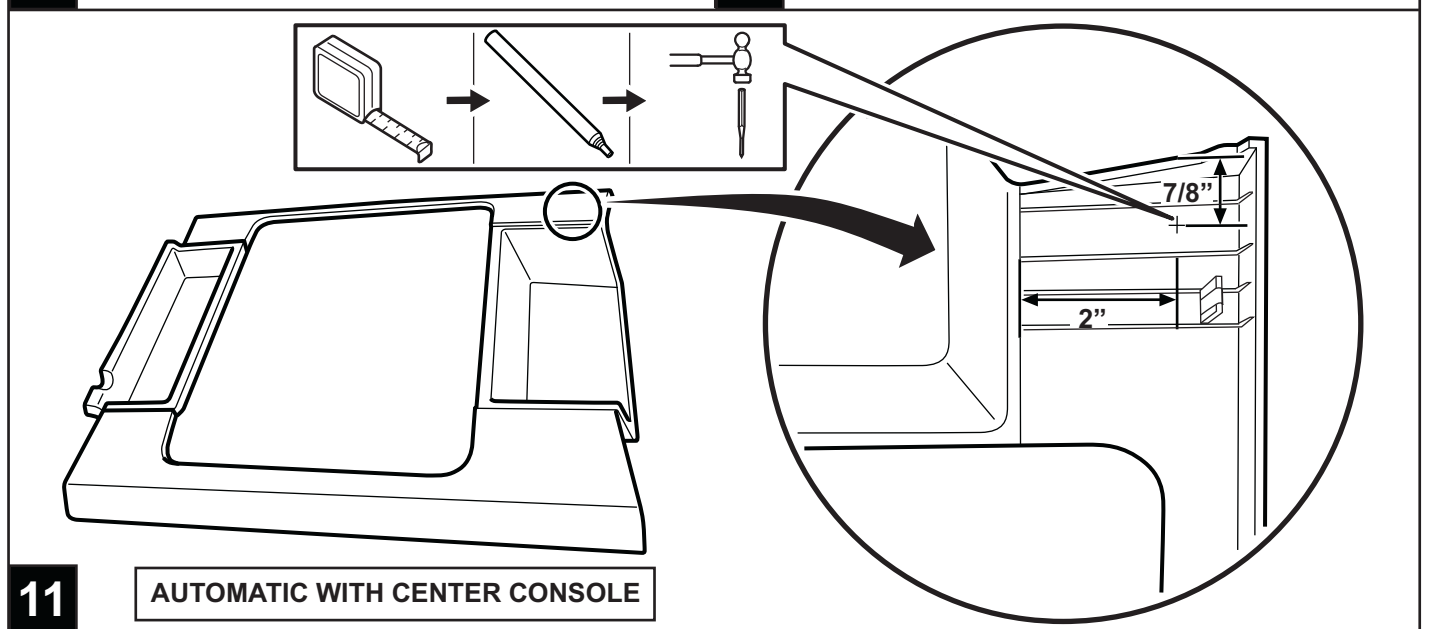
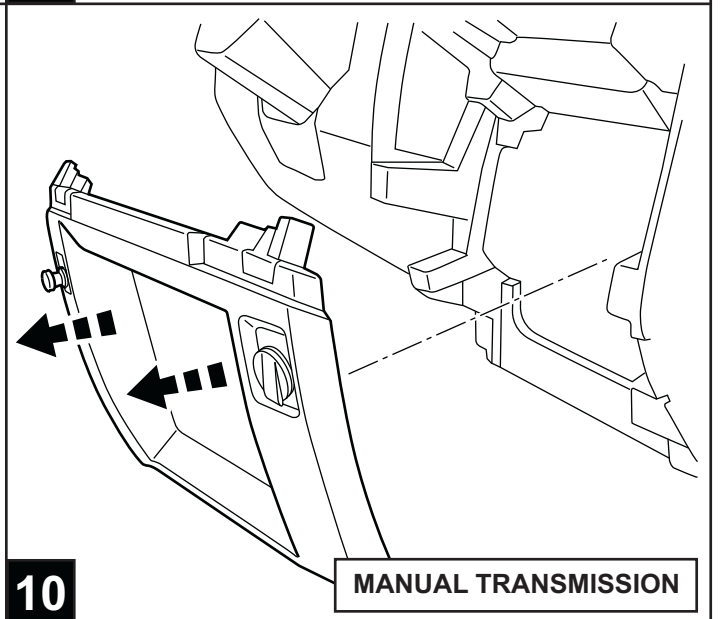
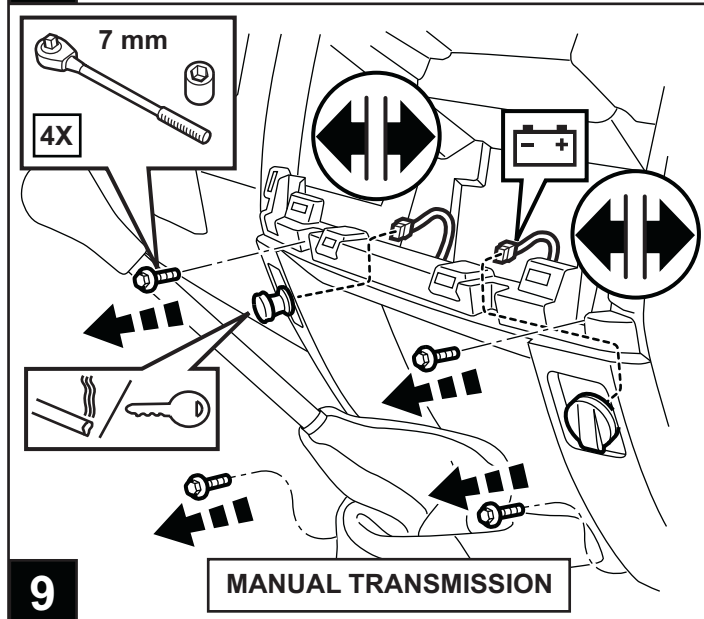
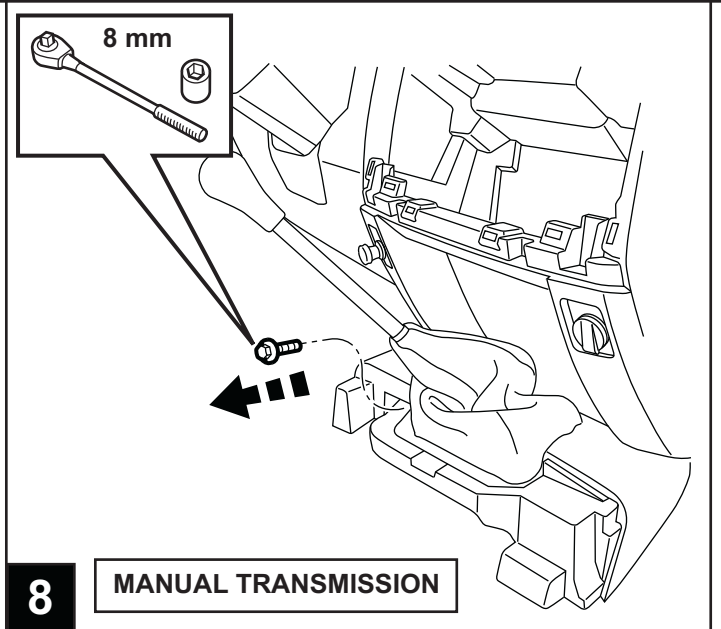
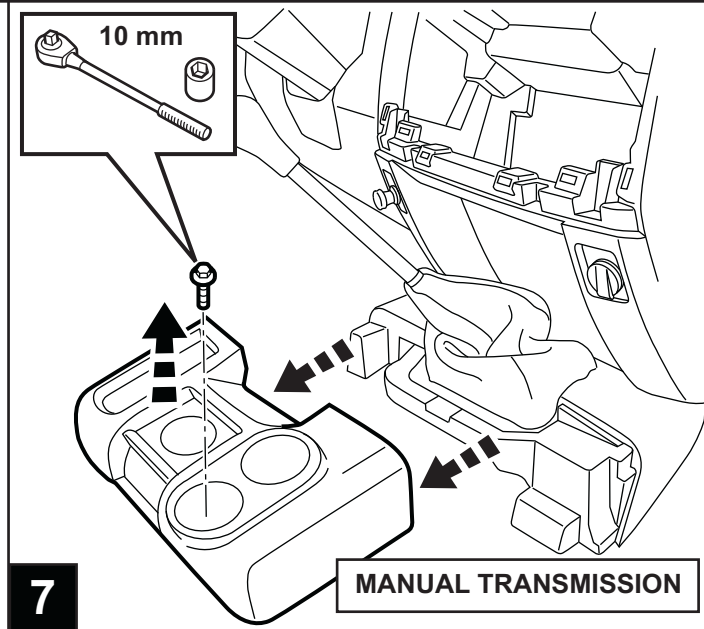
AUTOMATIC WITHOUT CENTER CONSOLE

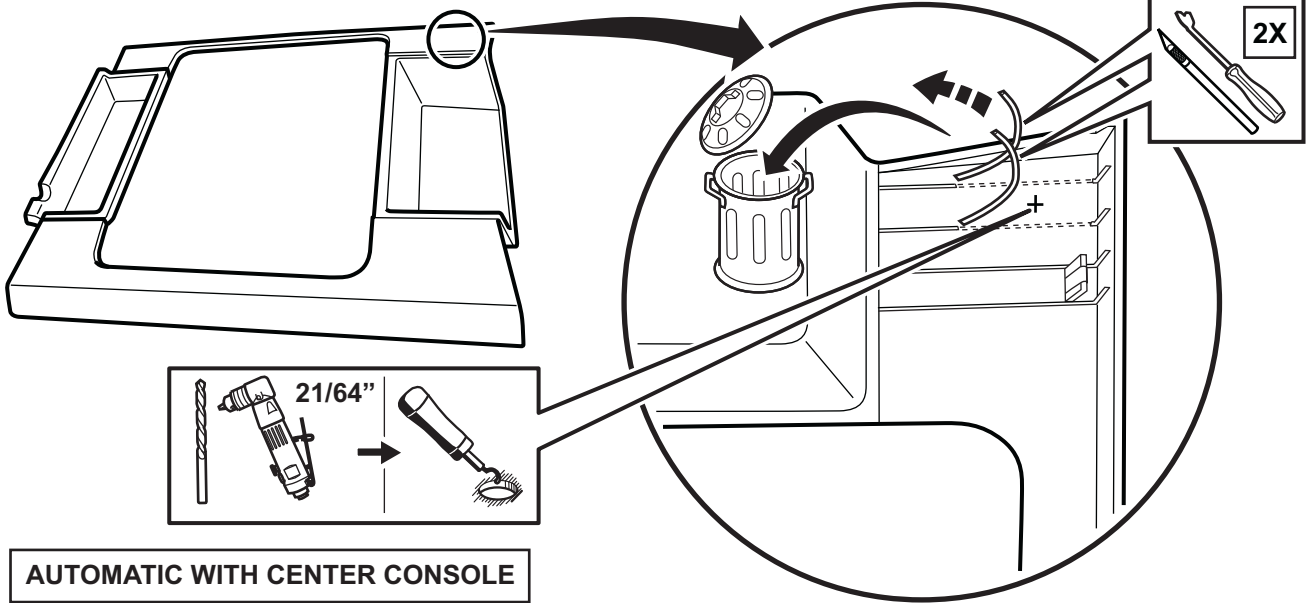


6

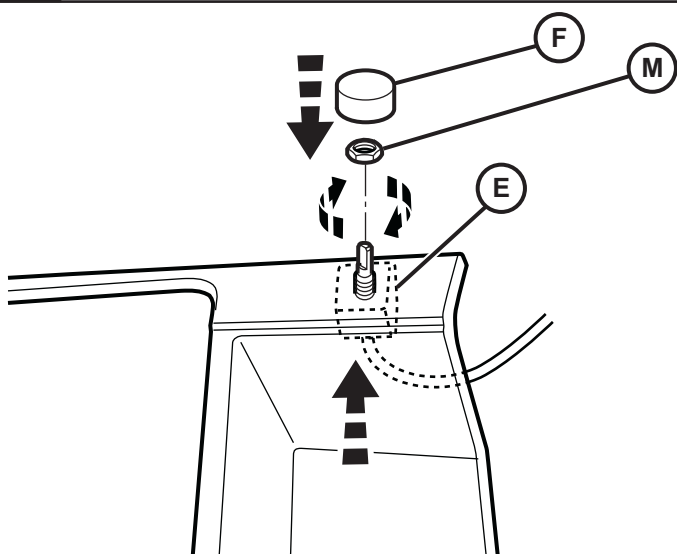
AUTOMATIC WITHOUT CENTER CONSOLE

DODGE RAM

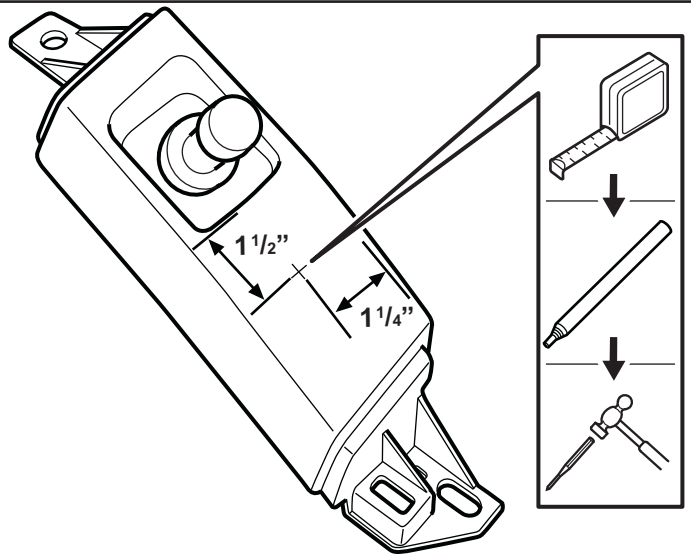




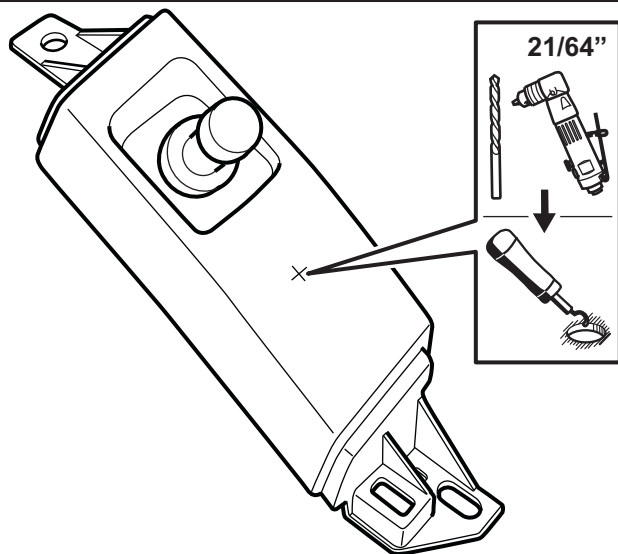
12 AUTOMATIC WITH CENTER CONSOLE



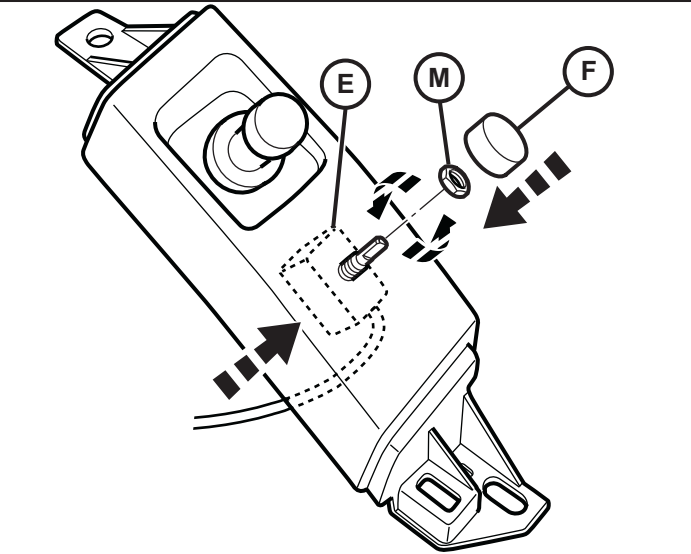
13 AUTOMATIC WITH CENTER CONSOLE



14 AUTOMATIC WITHOUT CENTER CONSOLE



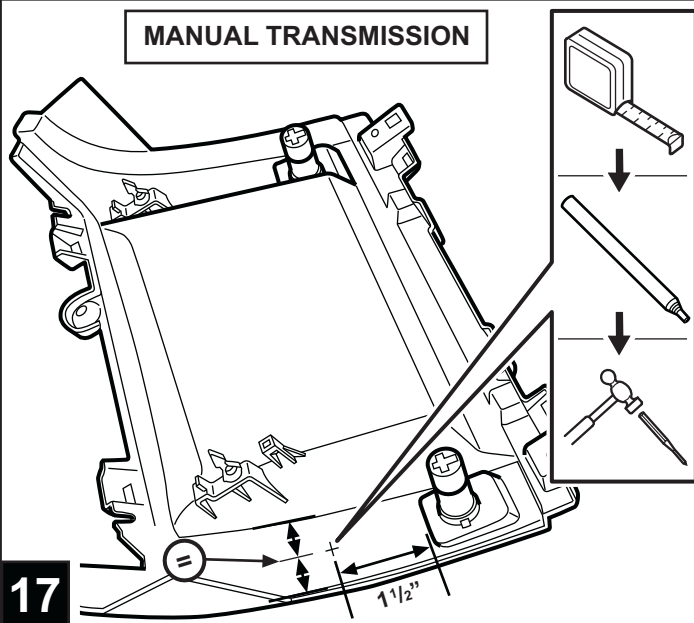
15 AUTOMATIC WITHOUT CENTER CONSOLE



16 AUTOMATIC WITHOUT CENTER CONSOLE

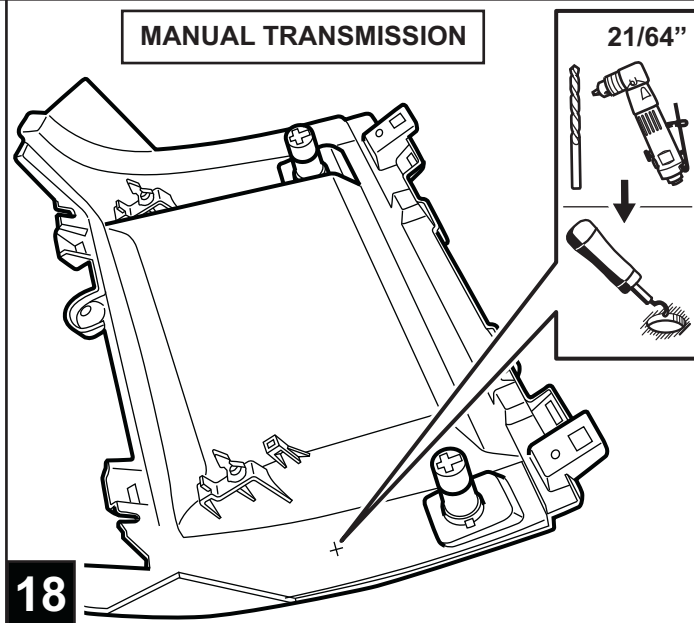
DODGE RAM

MANUAL TRANSMISSION

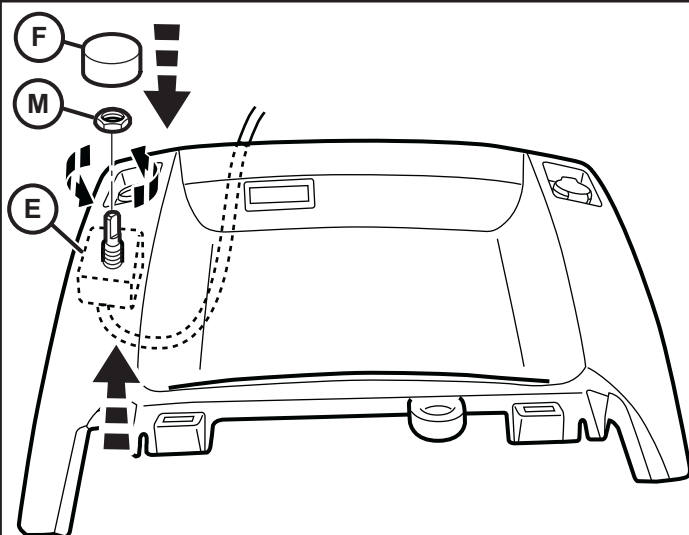


17

MANUAL TRANSMISSION

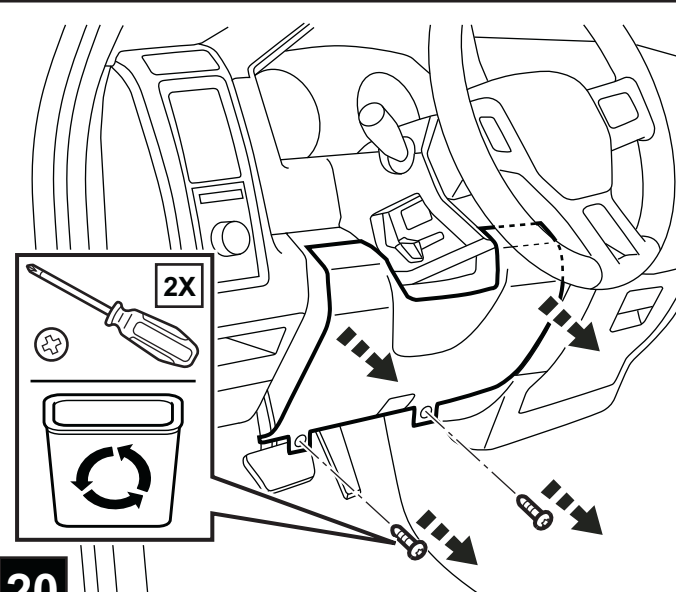


18

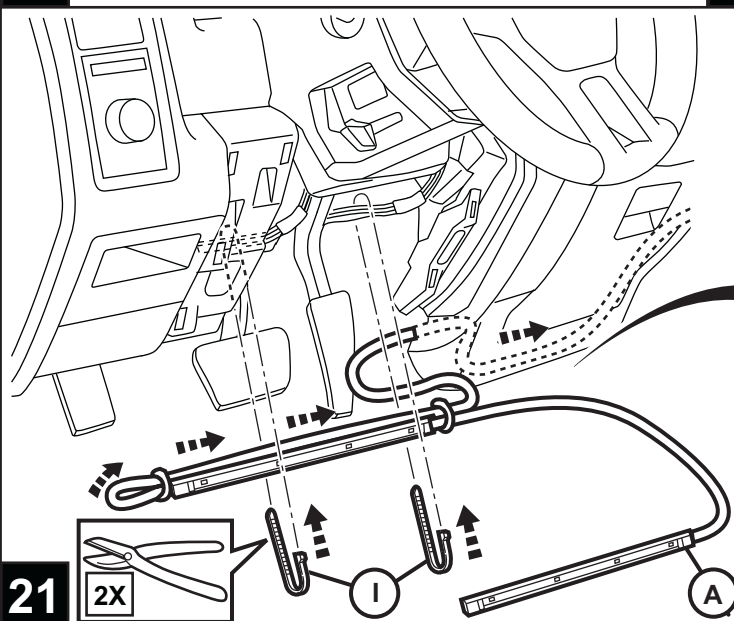


19

MANUAL TRANSMISSION

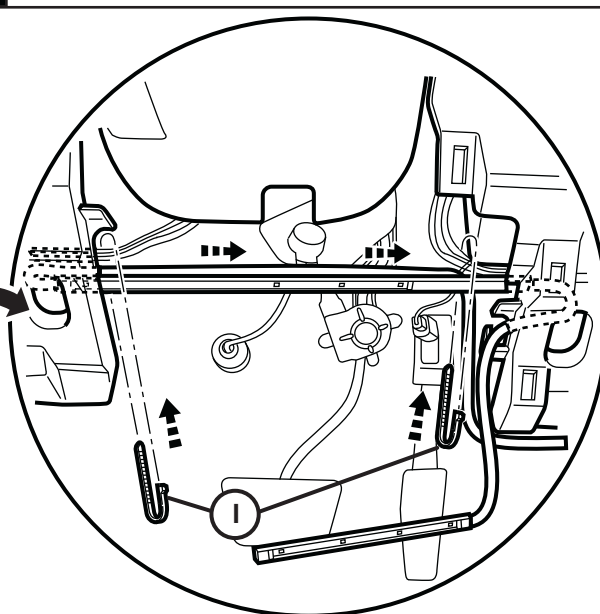


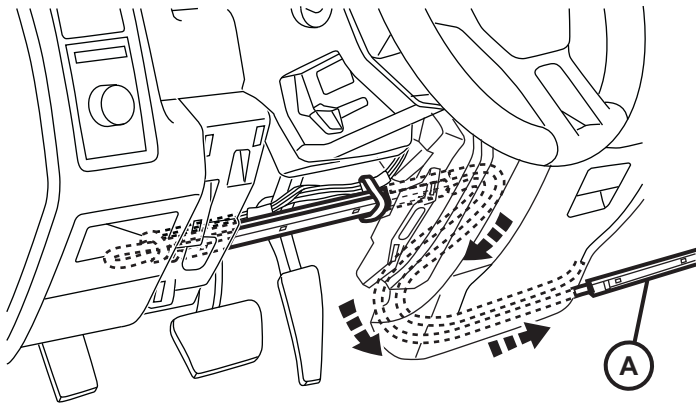
20



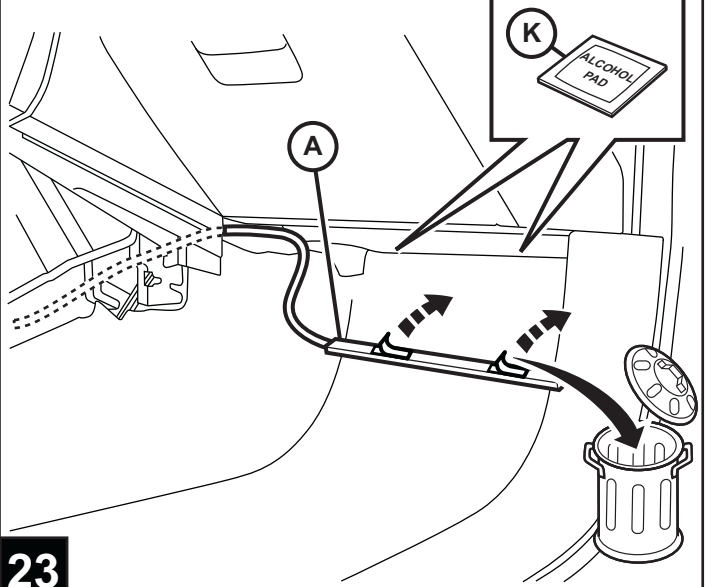
21

2X

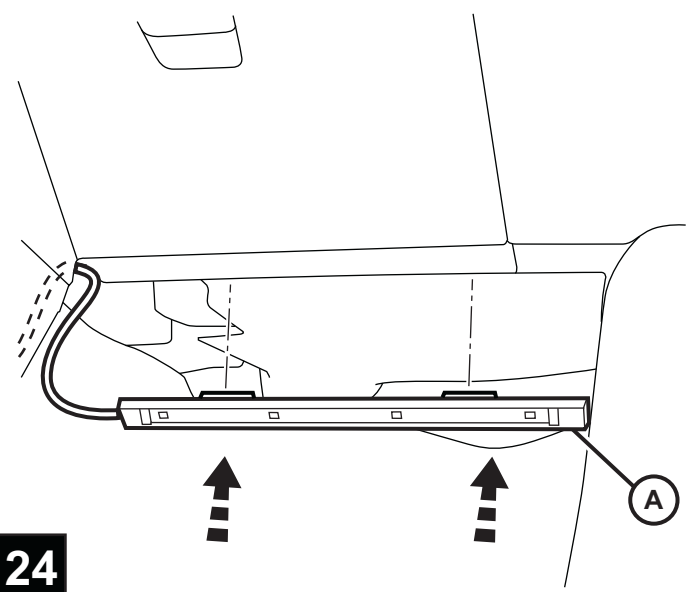




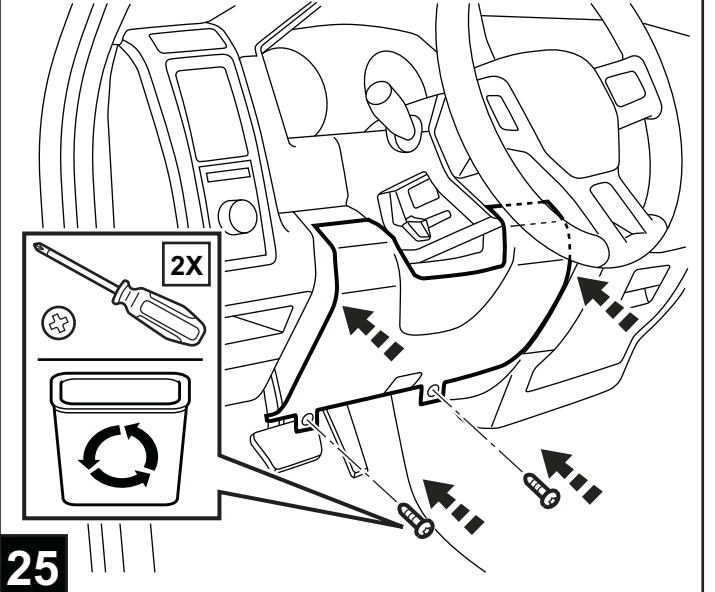
22



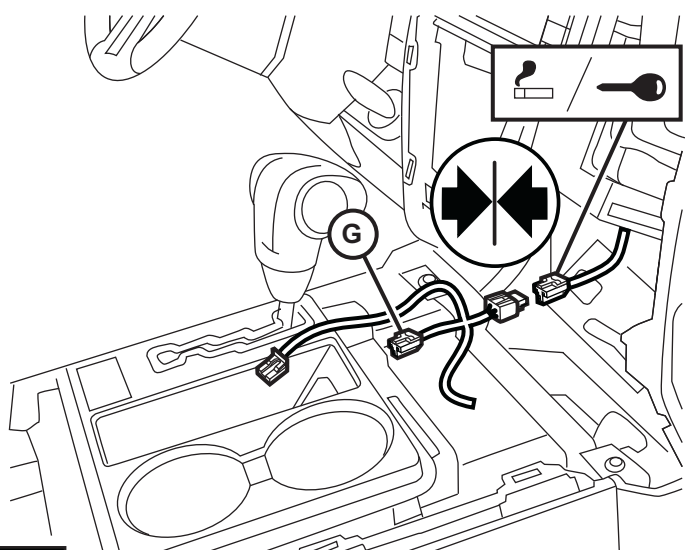
23



24

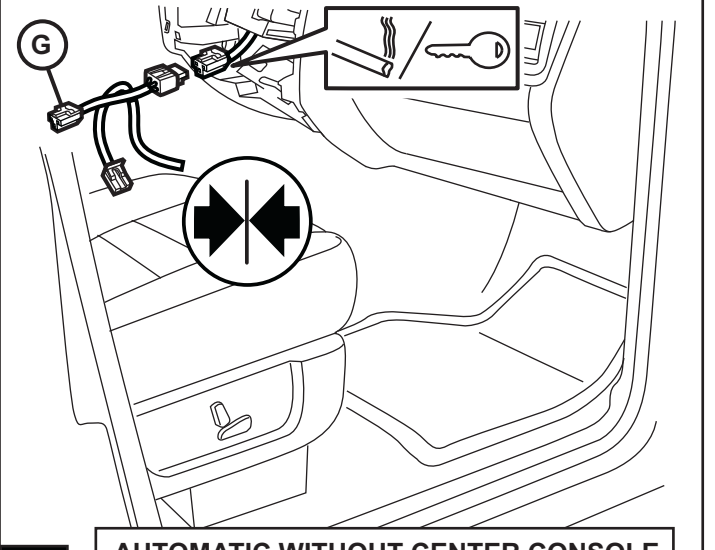


25



26

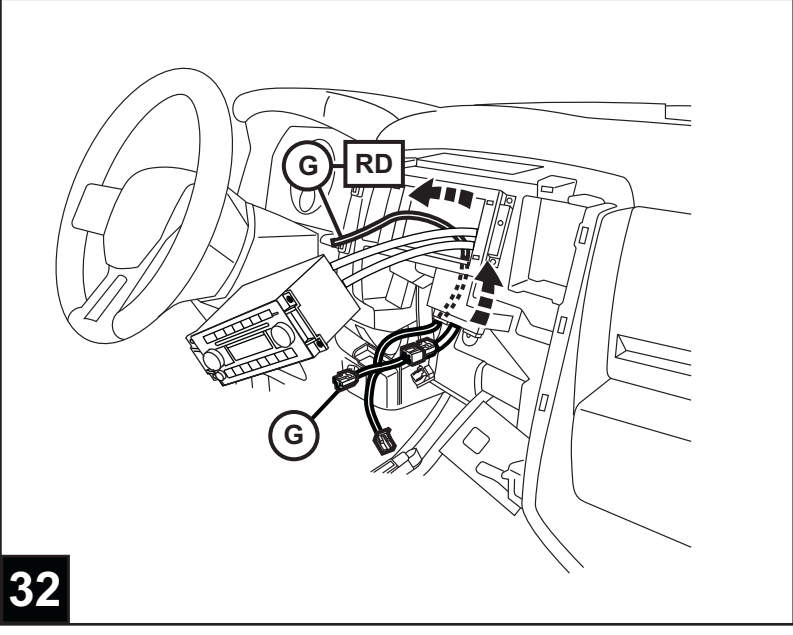
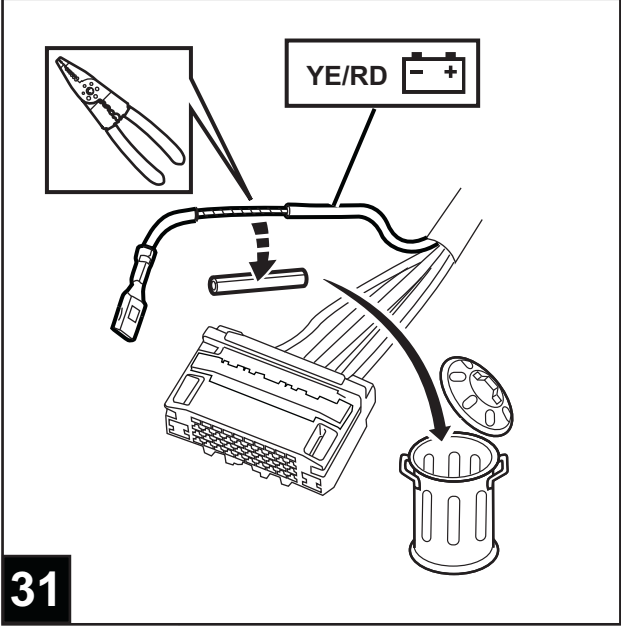
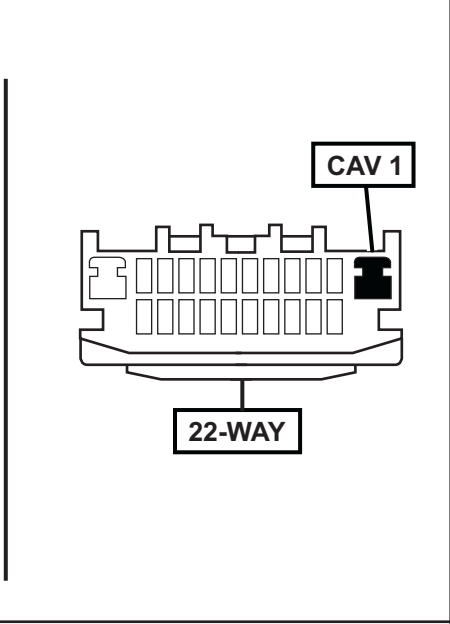
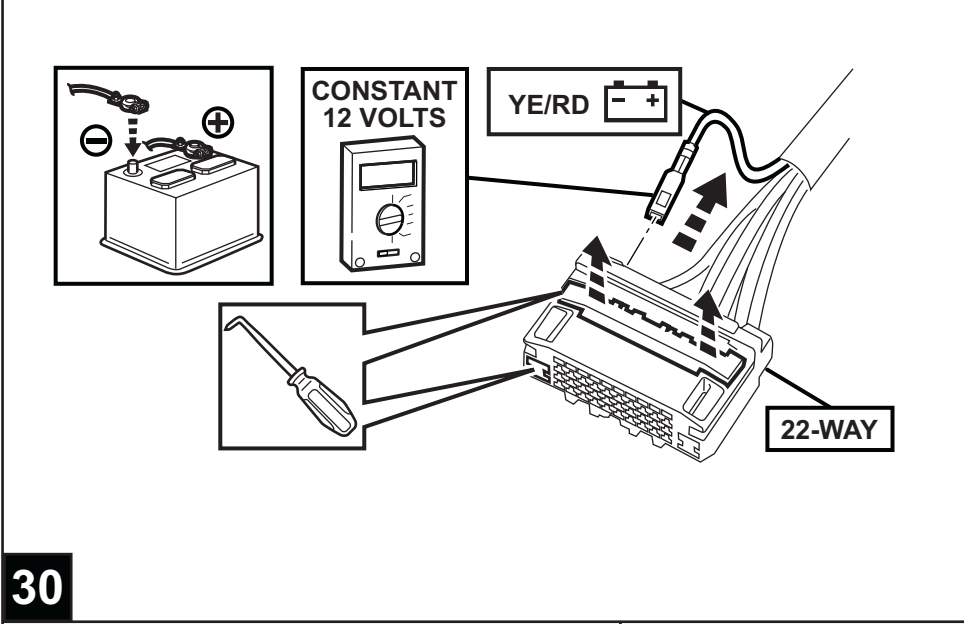
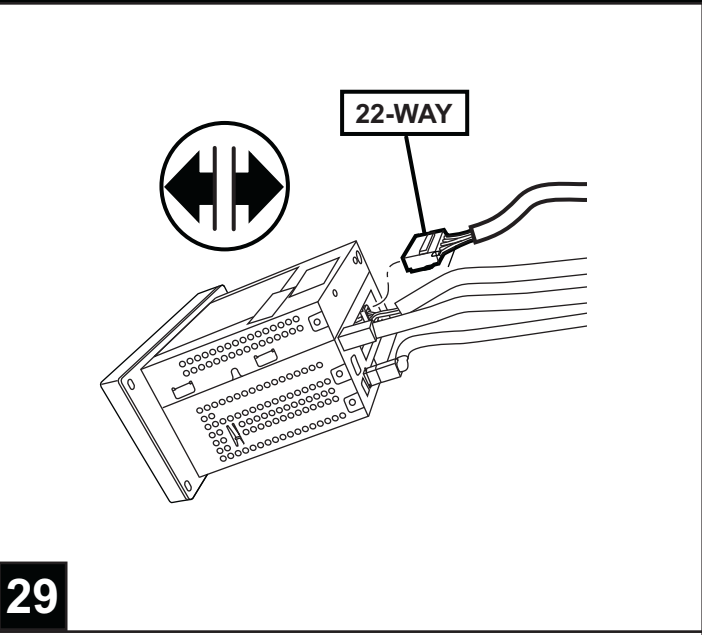
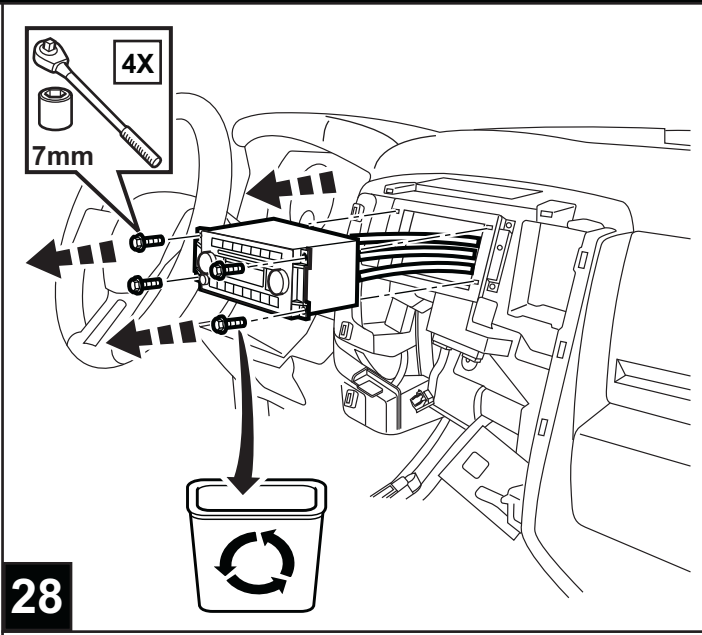
AUTOMATIC WITH CENTER CONSOLE

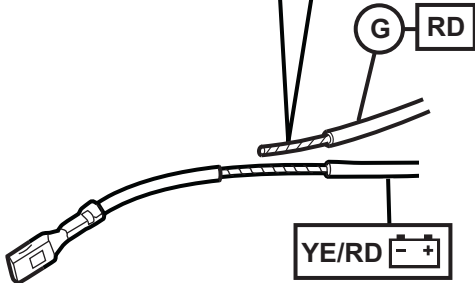
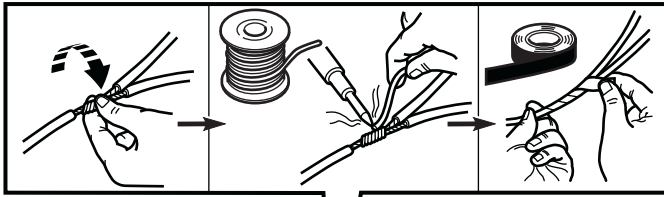


27

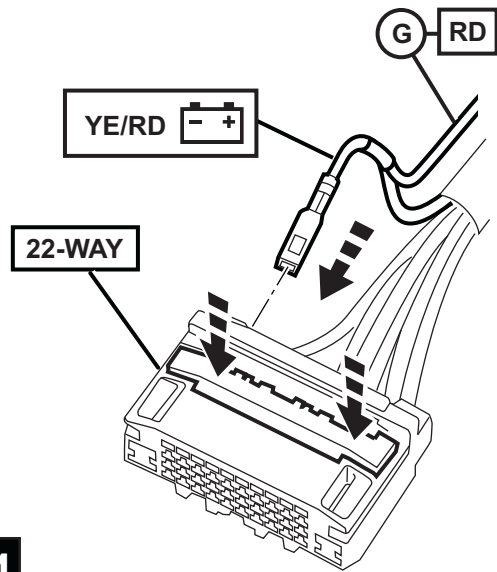
AUTOMATIC WITHOUT CENTER CONSOLE
MANUAL TRANSMISSION

DODGE RAM

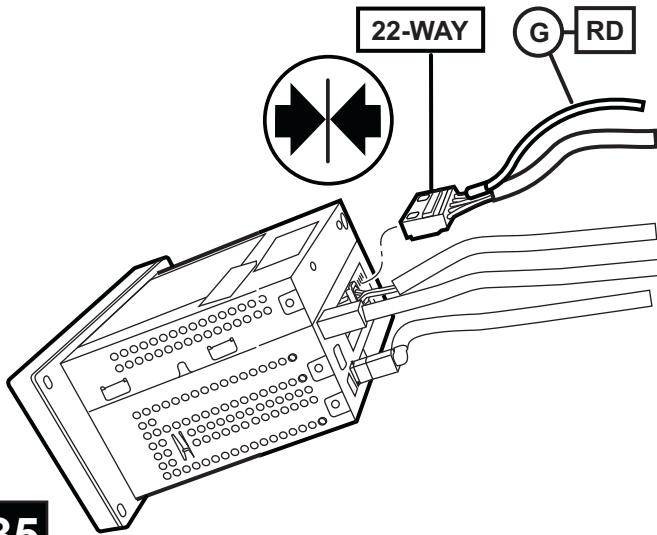




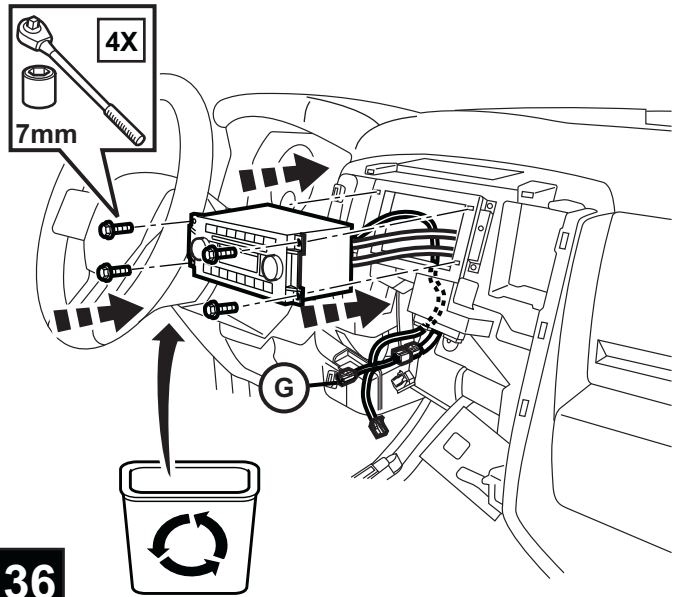
33



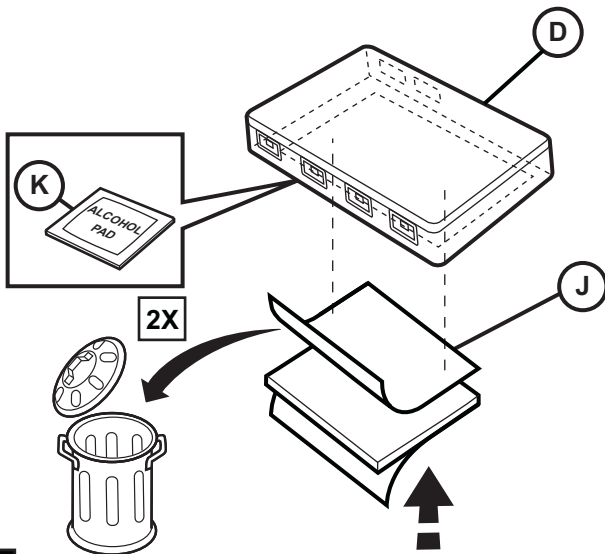
34



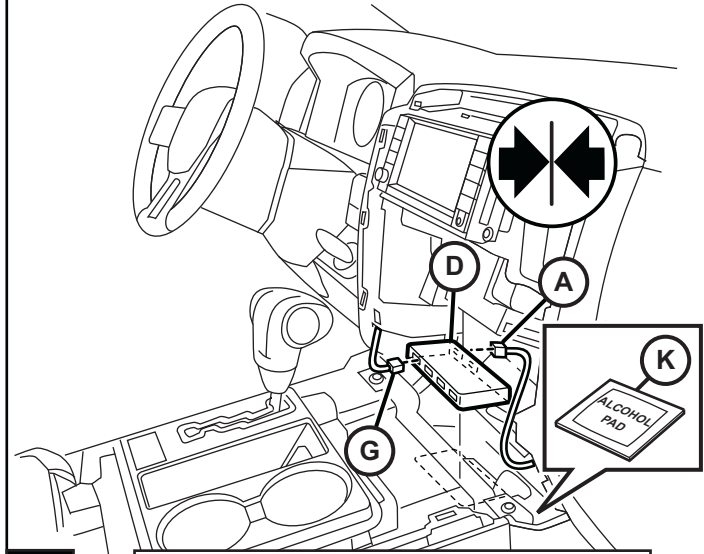
35



36



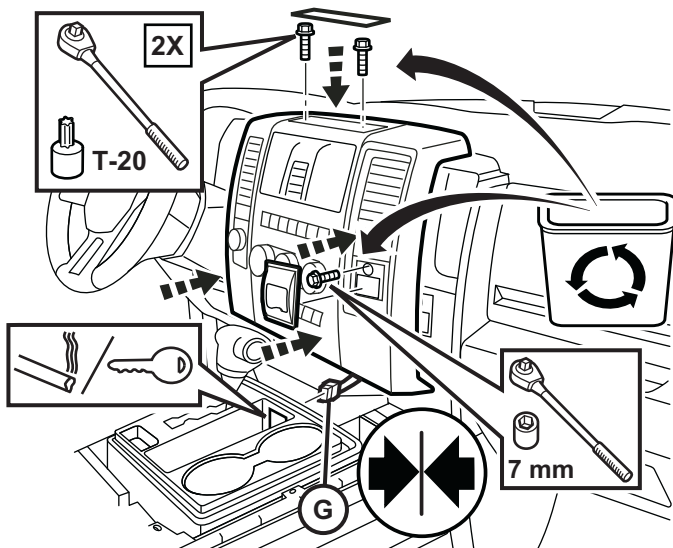
37



38

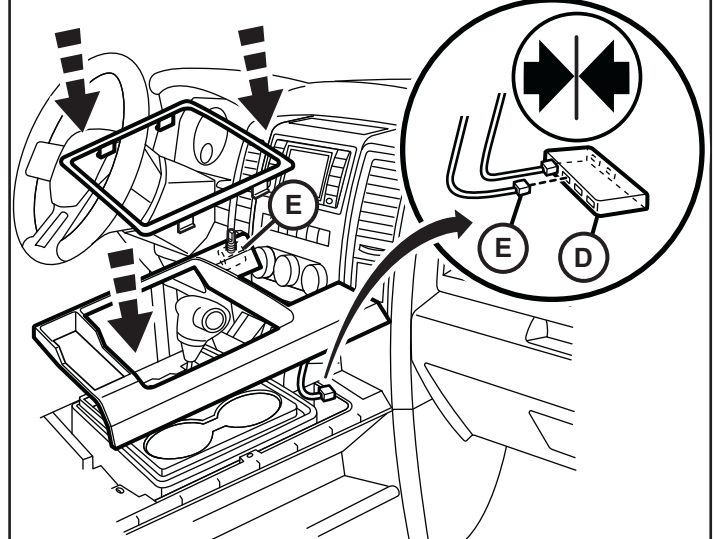
AUTOMATIC WITH CENTER CONSOLE

DODGE RAM



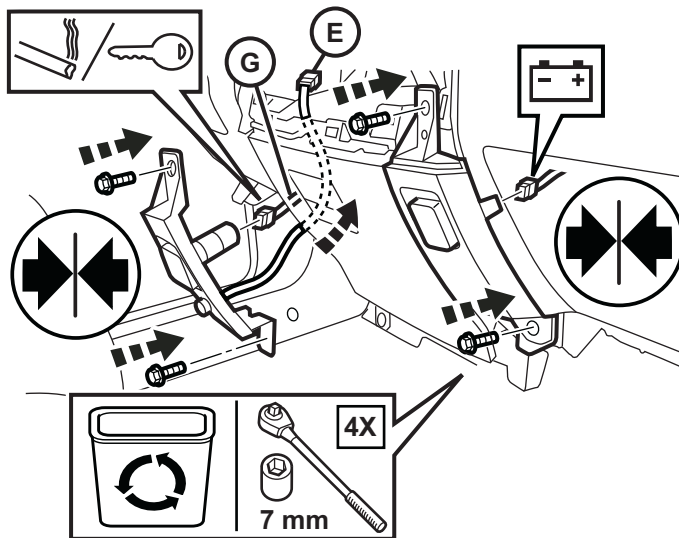
39

AUTOMATIC WITH CENTER CONSOLE



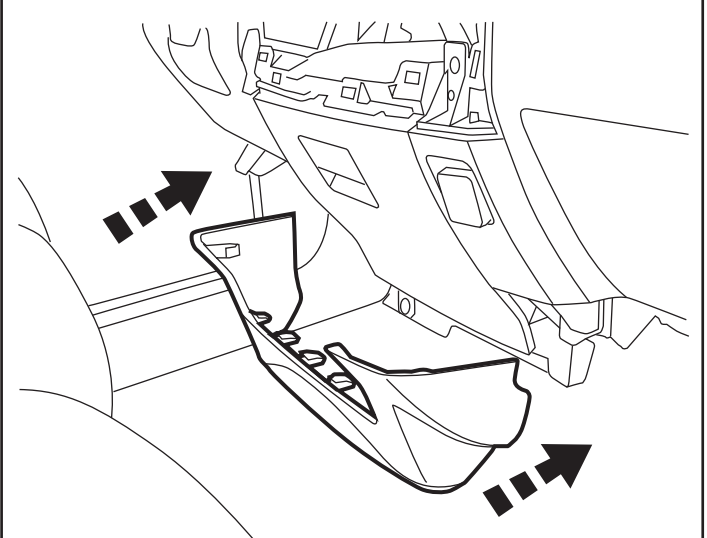
40

AUTOMATIC WITH CENTER CONSOLE



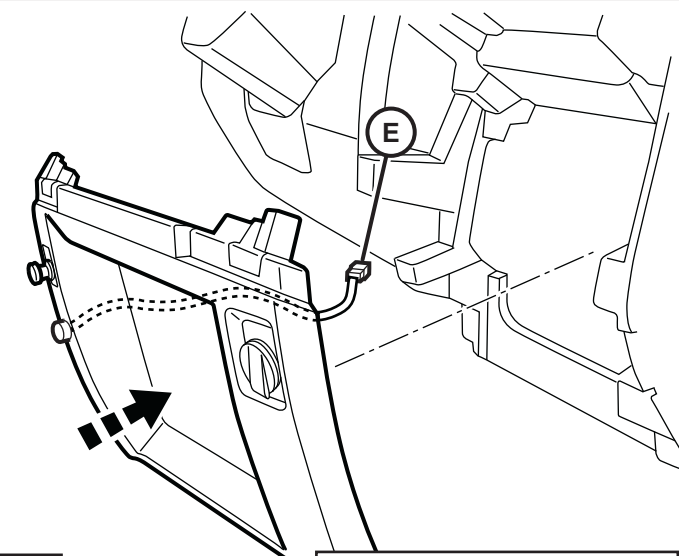
41

AUTOMATIC WITHOUT CENTER CONSOLE



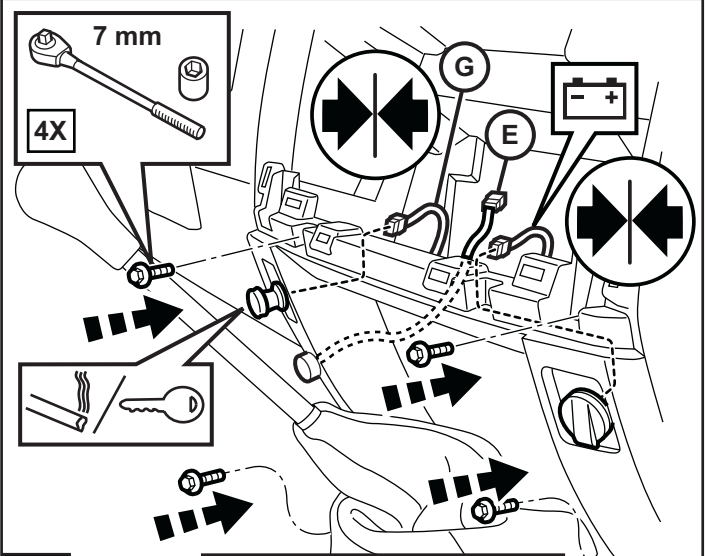
42

AUTOMATIC WITHOUT CENTER CONSOLE



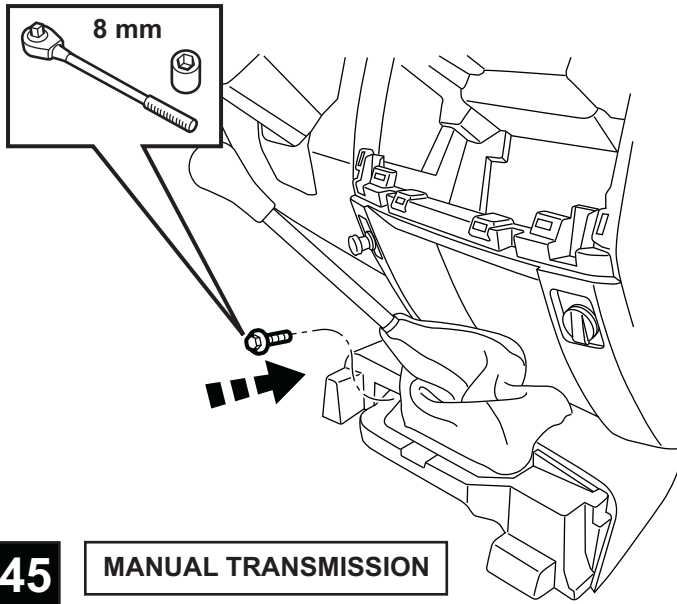
43

MANUAL TRANSMISSION

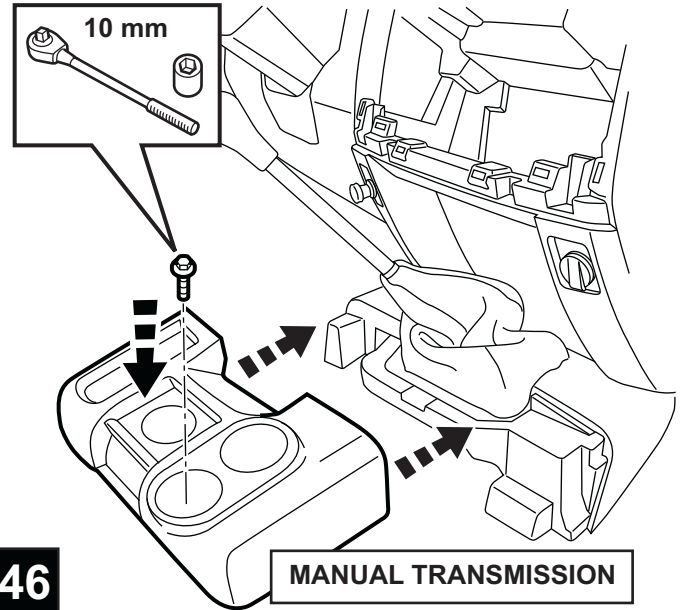


44

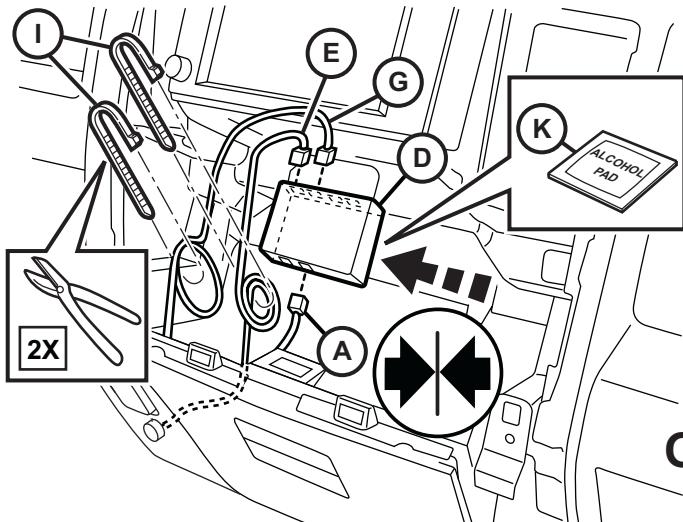
MANUAL TRANSMISSION



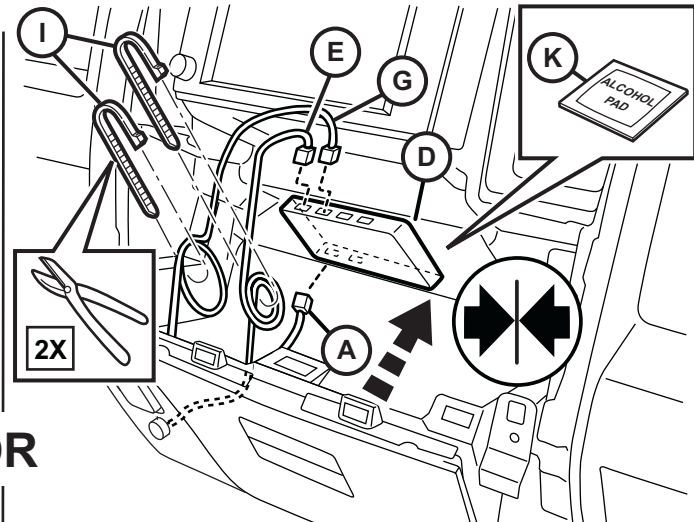
45 MANUAL TRANSMISSION



46 MANUAL TRANSMISSION

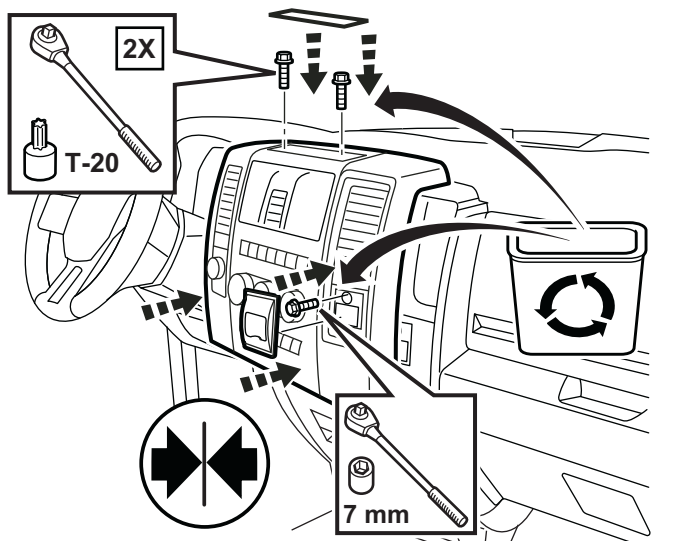


47-A AUTOMATIC WITHOUT CENTER CONSOLE MANUAL TRANSMISSION

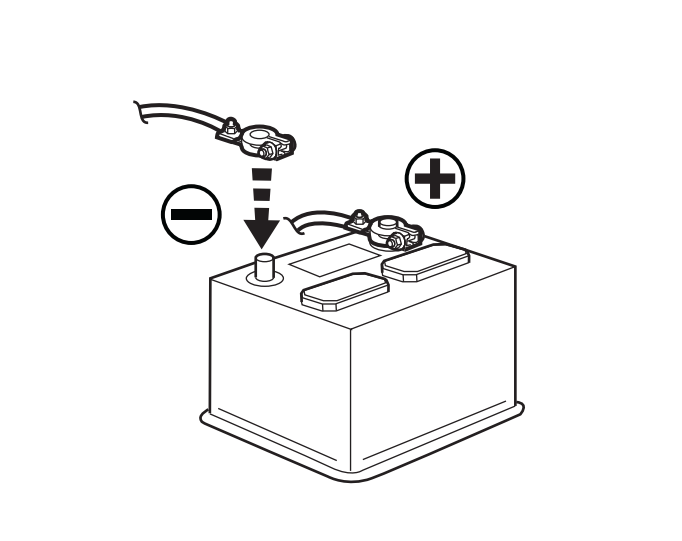


48-B AUTOMATIC WITHOUT CENTER CONSOLE MANUAL TRANSMISSION

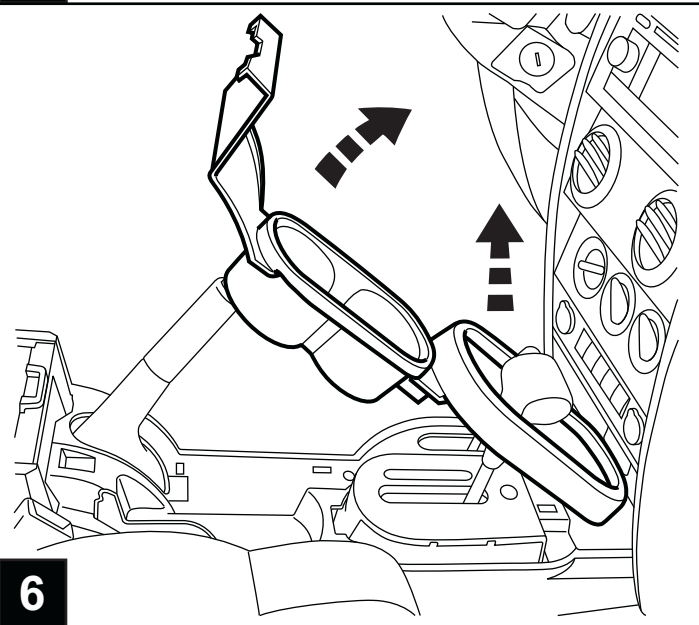
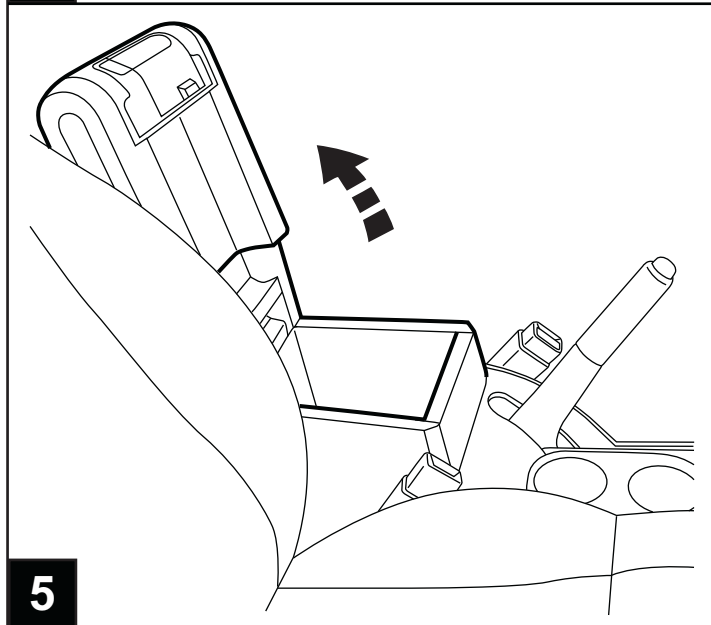
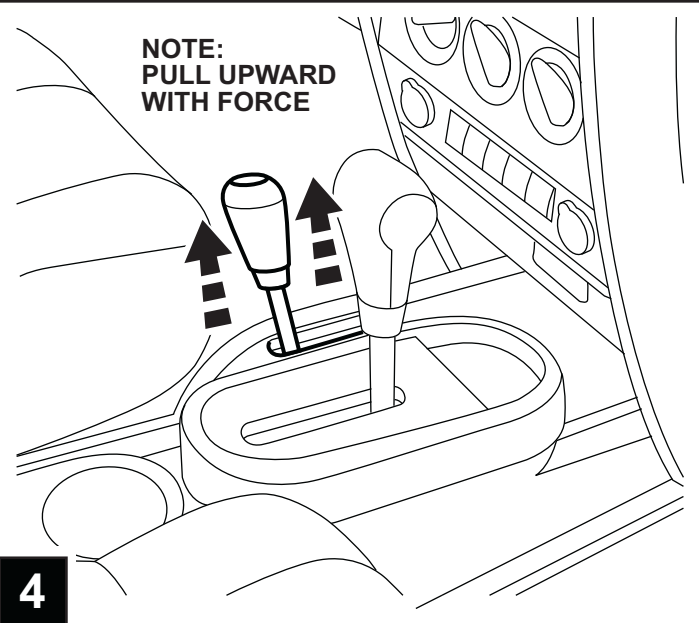
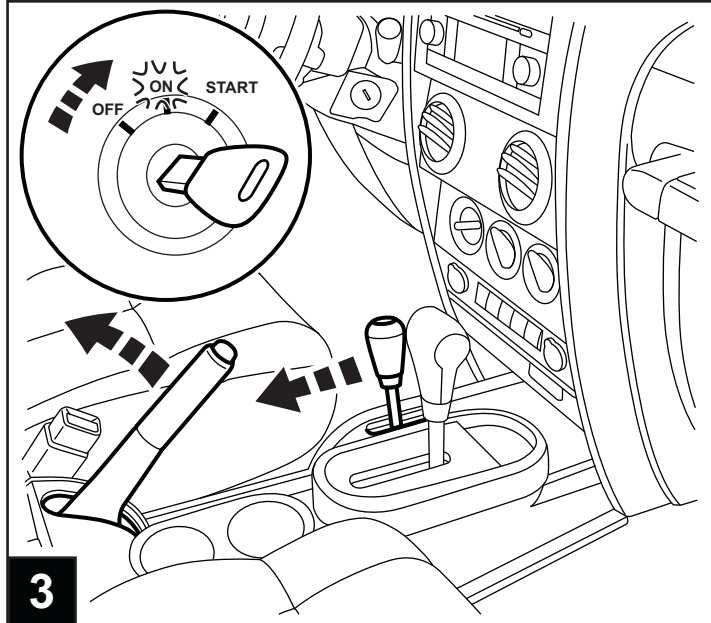
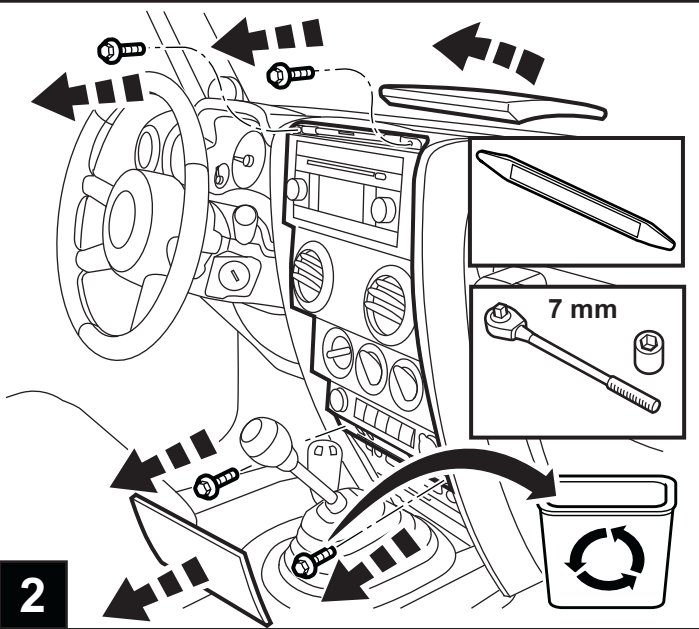
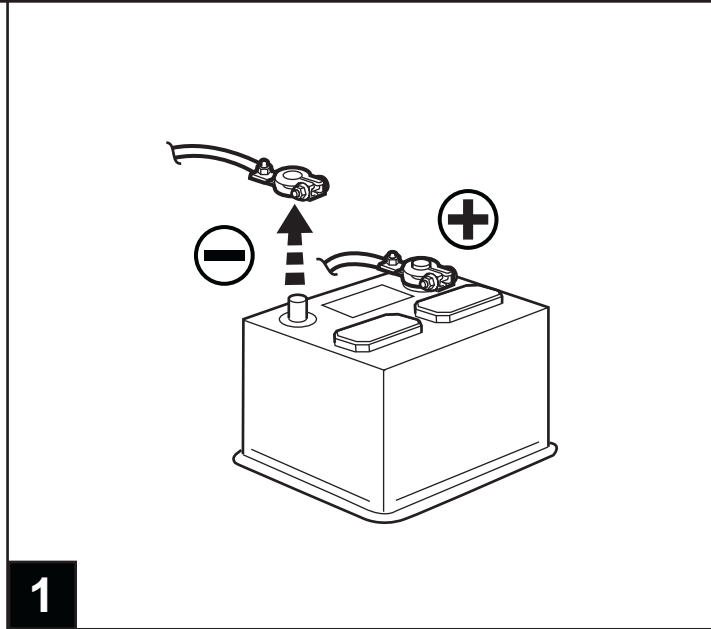
OR



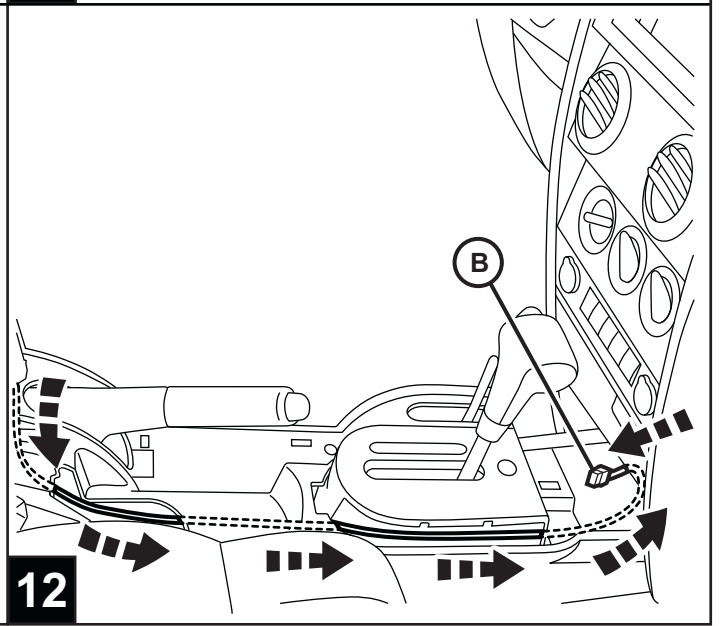
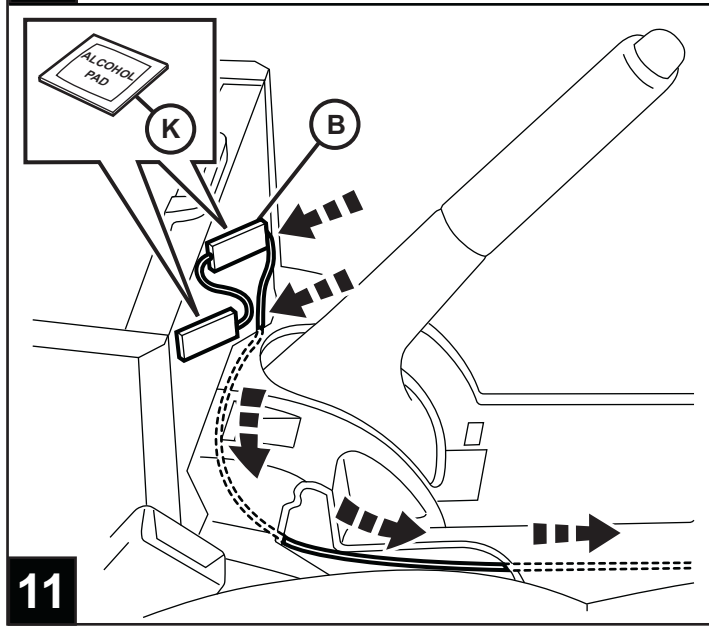
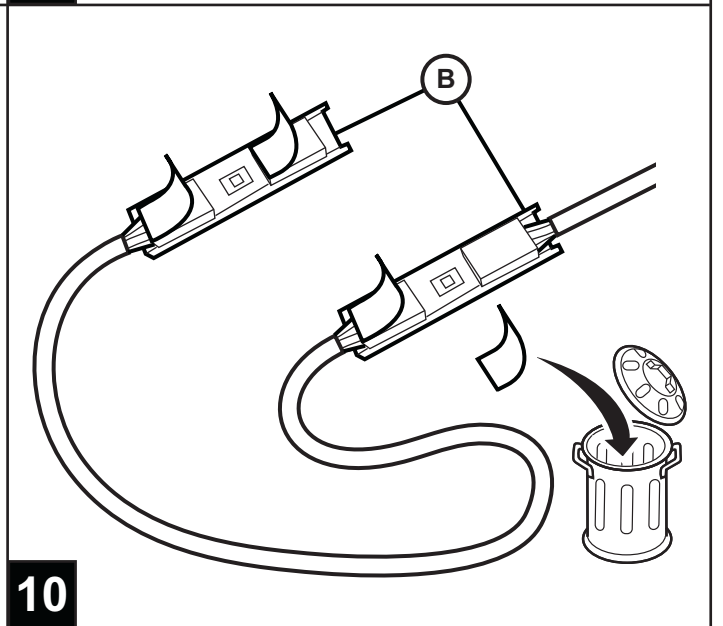
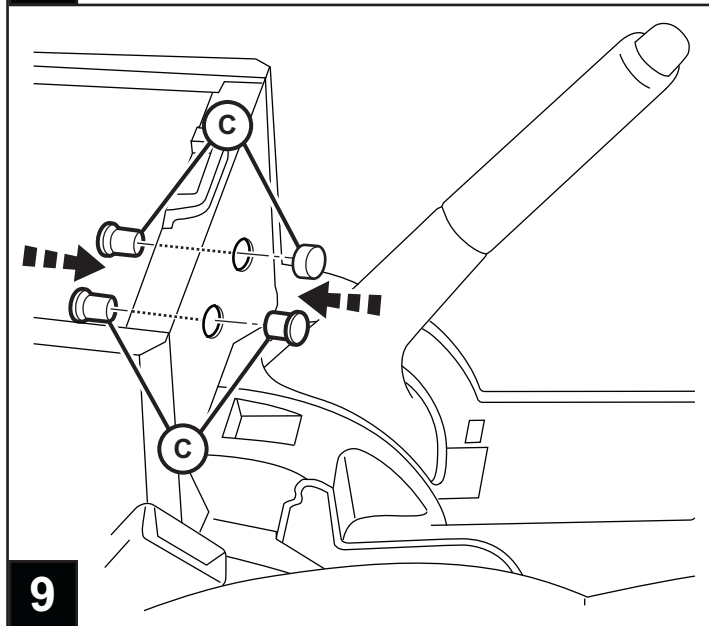
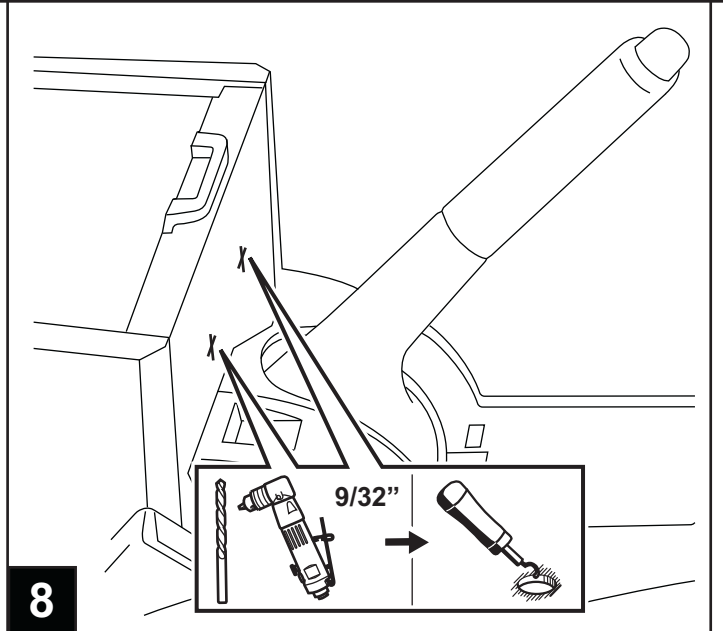
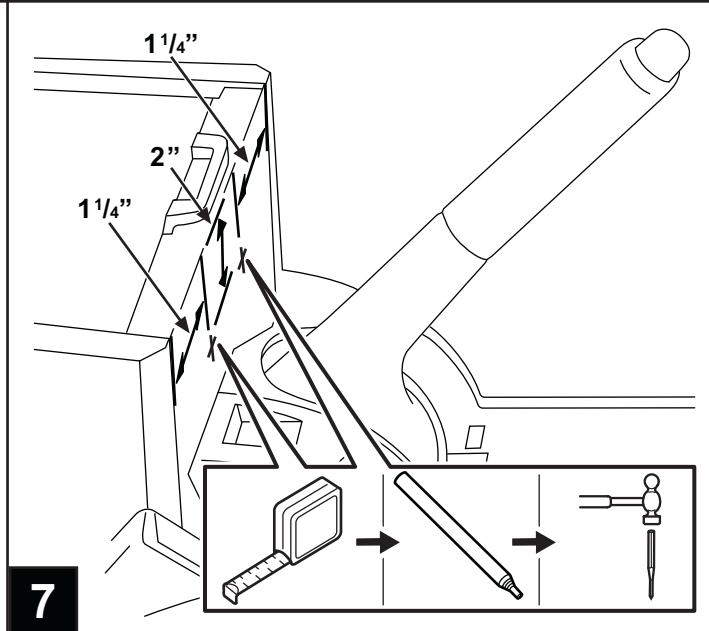
49 AUTOMATIC WITHOUT CENTER CONSOLE SHOWN MANUAL TRANSMISSION SIMILAR

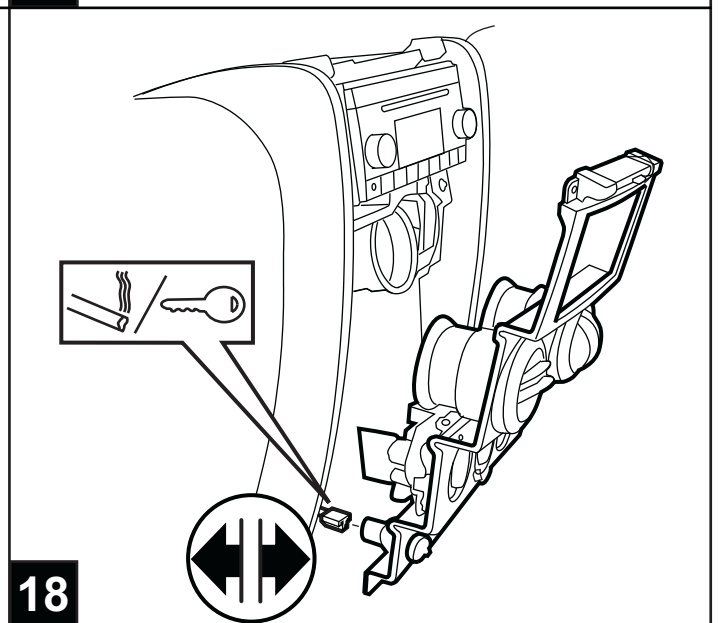
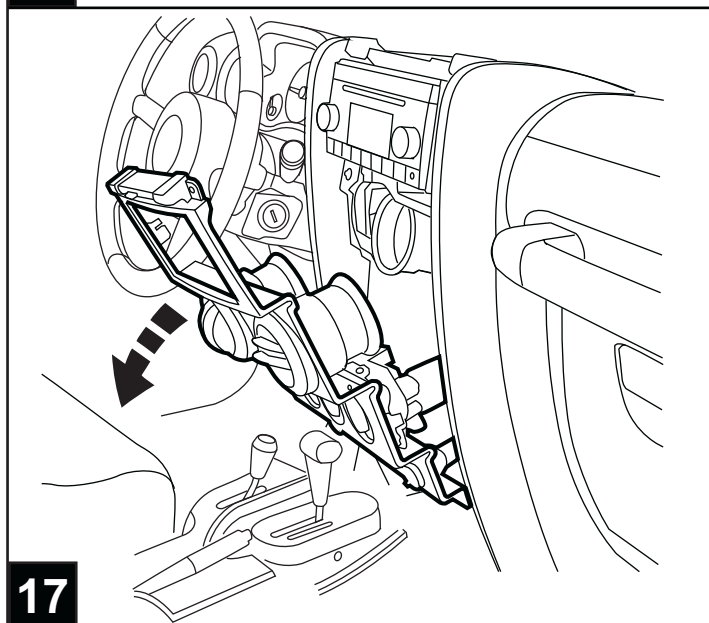
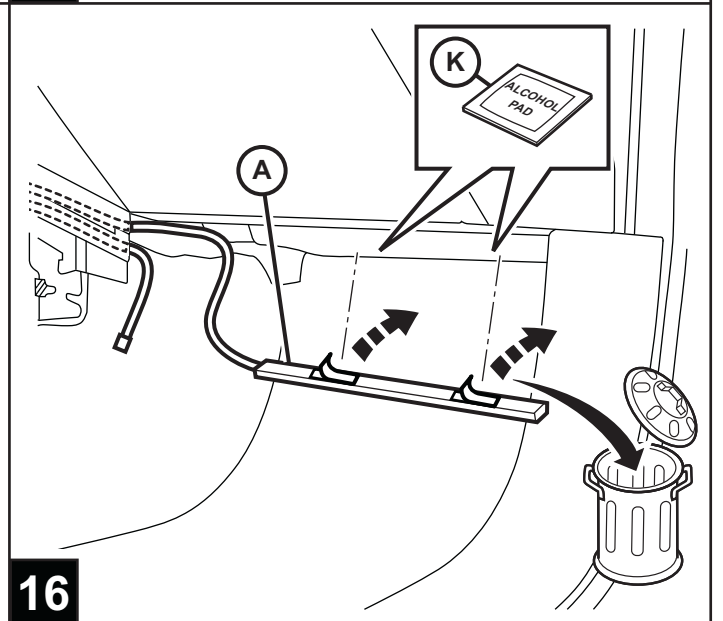
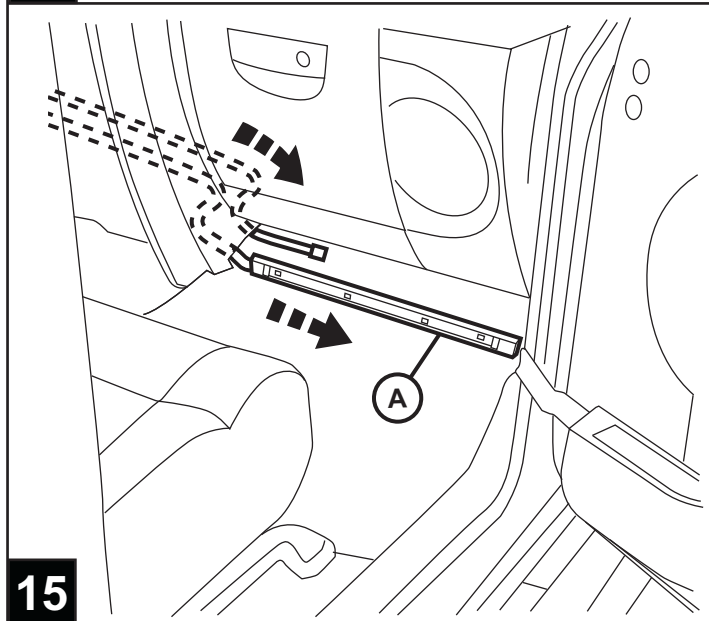
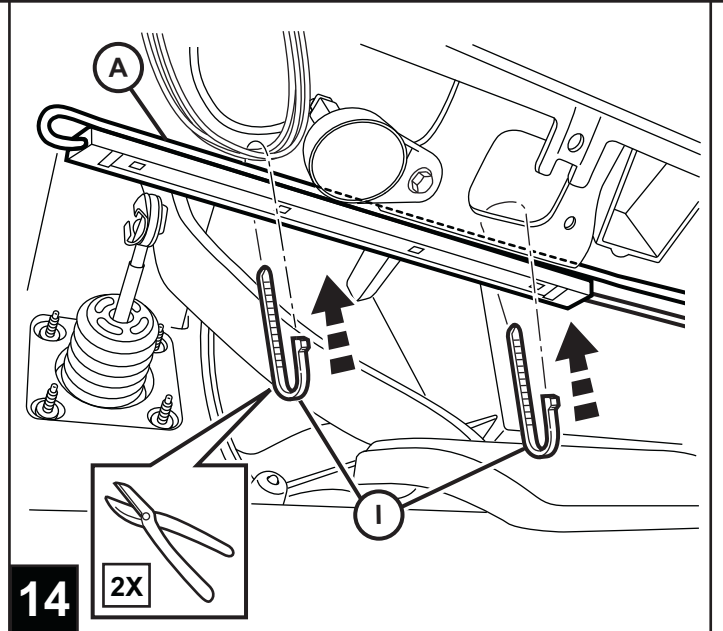
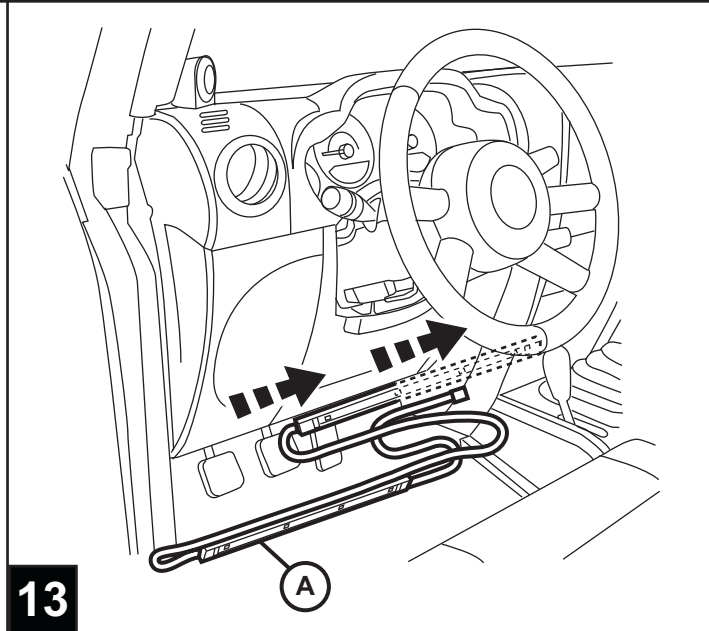


50

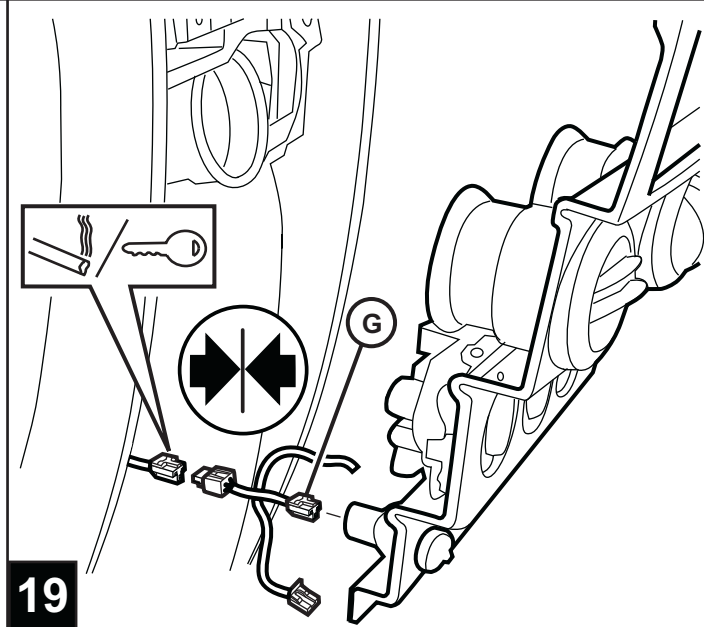


JEEP WRANGLER

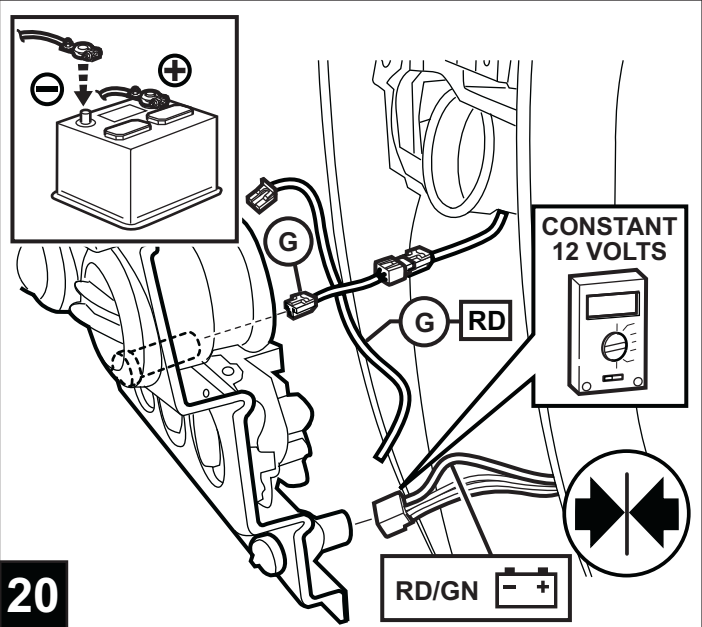




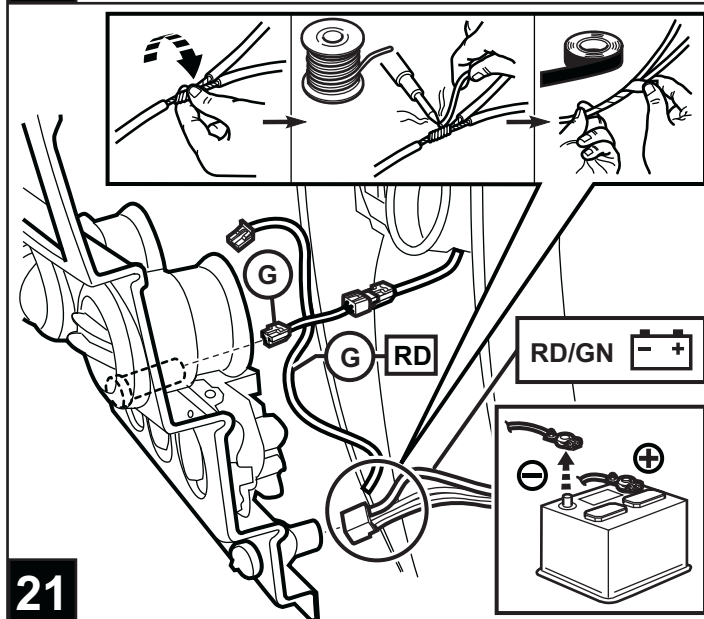
JEEP WRANGLER



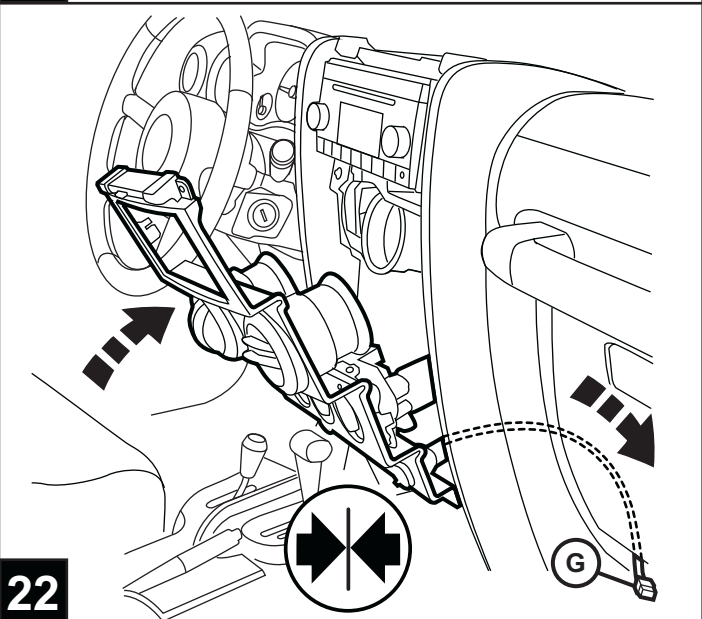
19



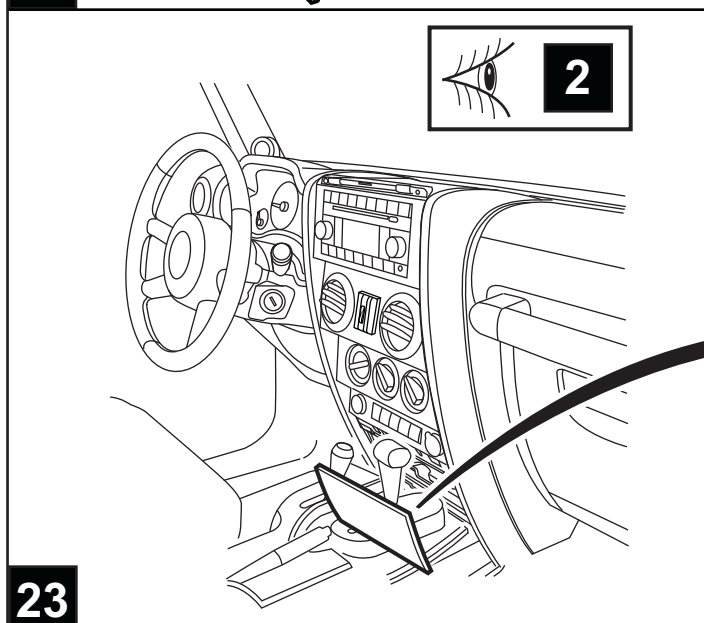
20



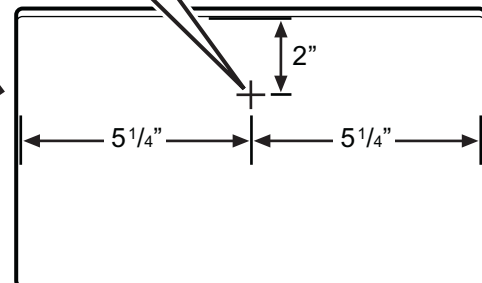
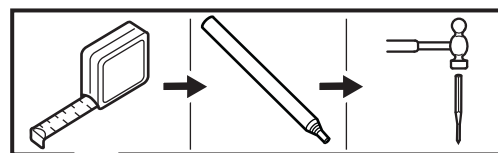
21

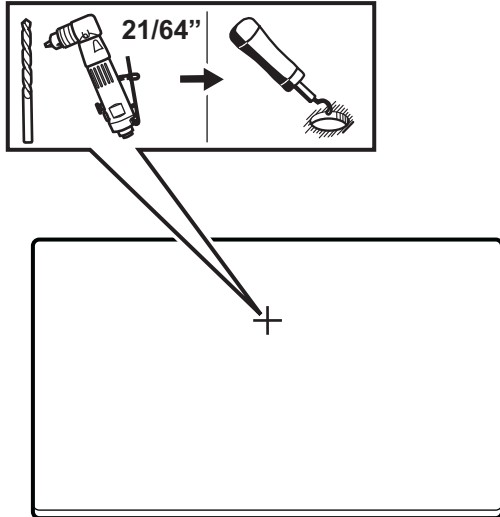


22

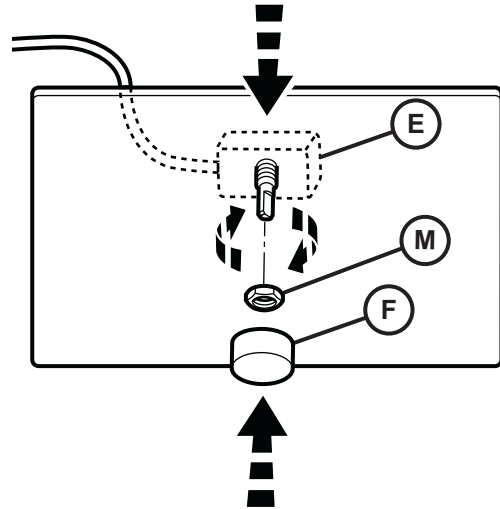


23

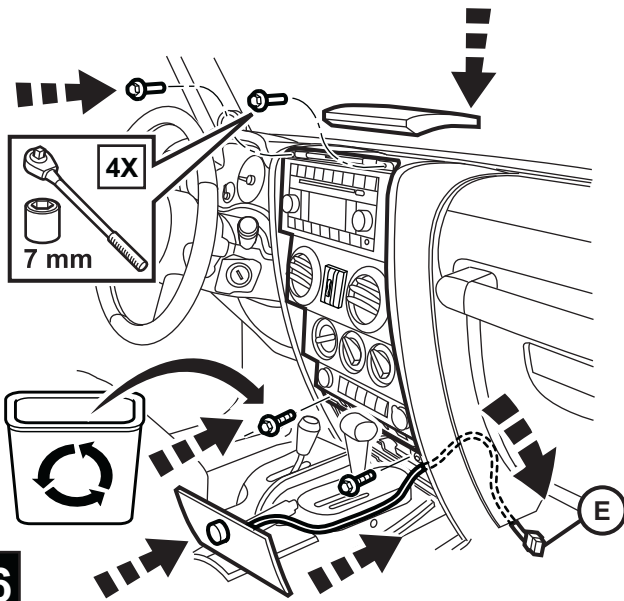




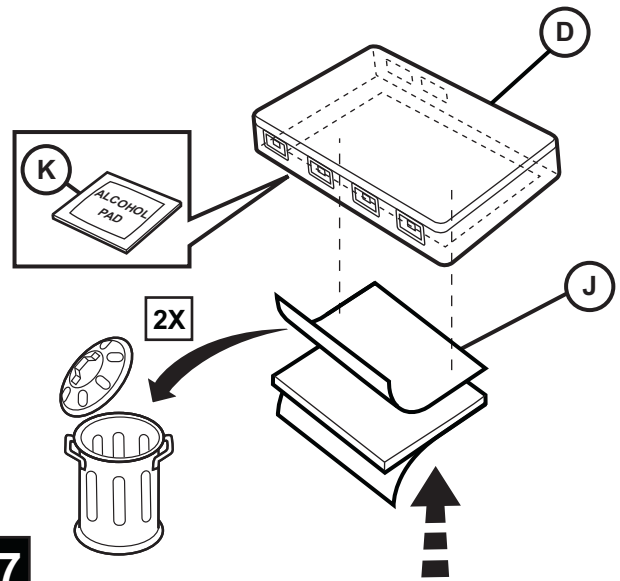
24



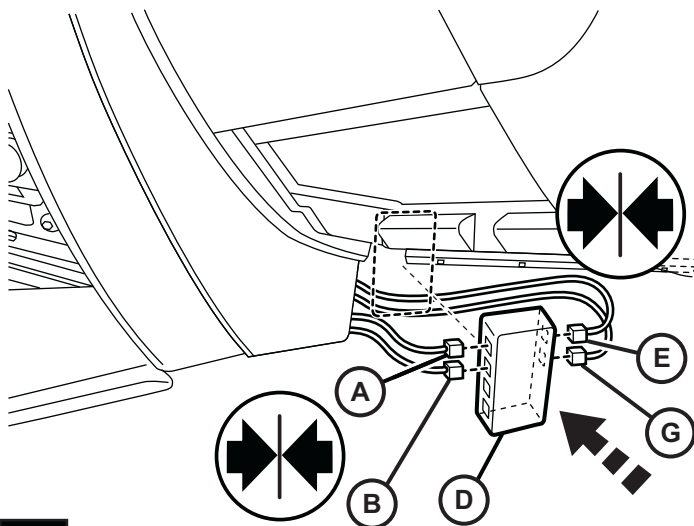
25



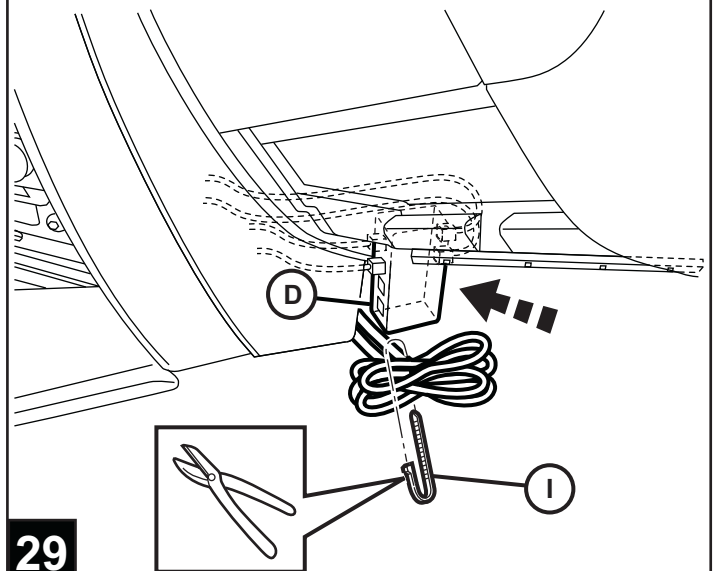
26



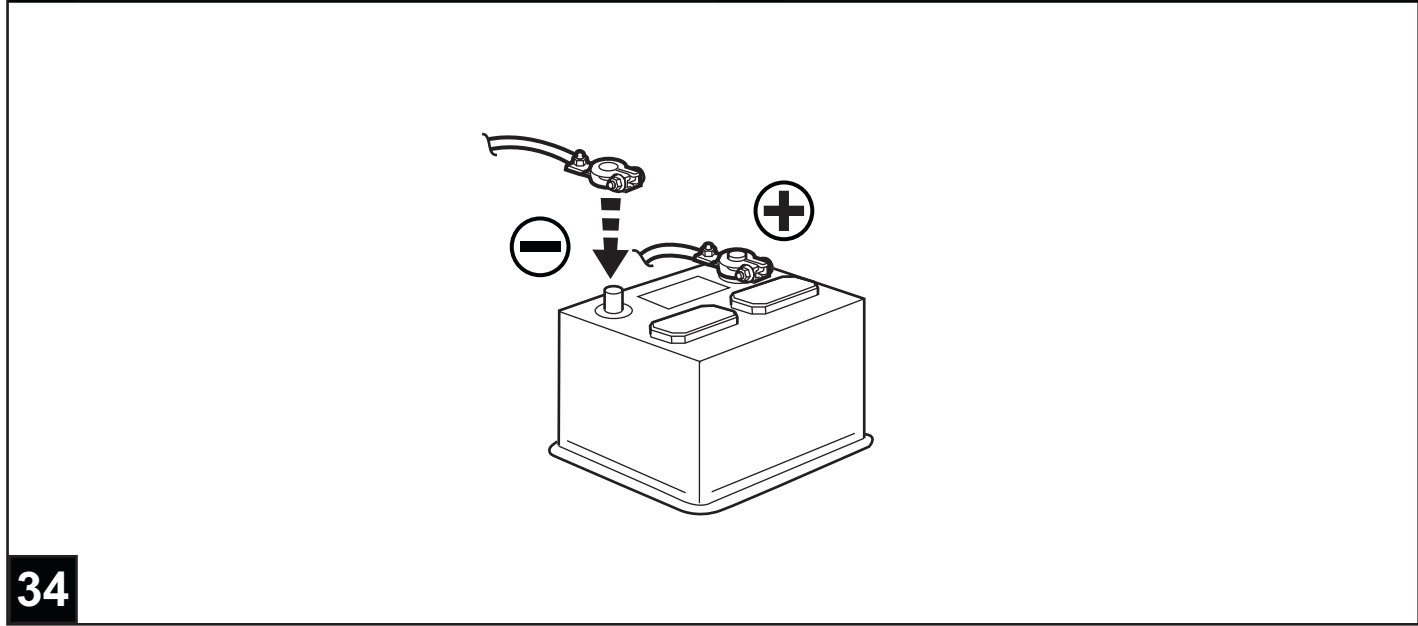
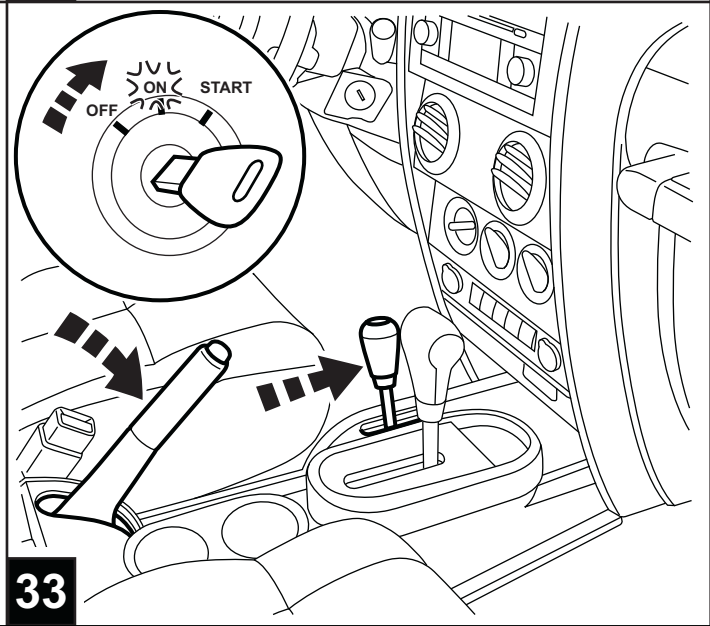
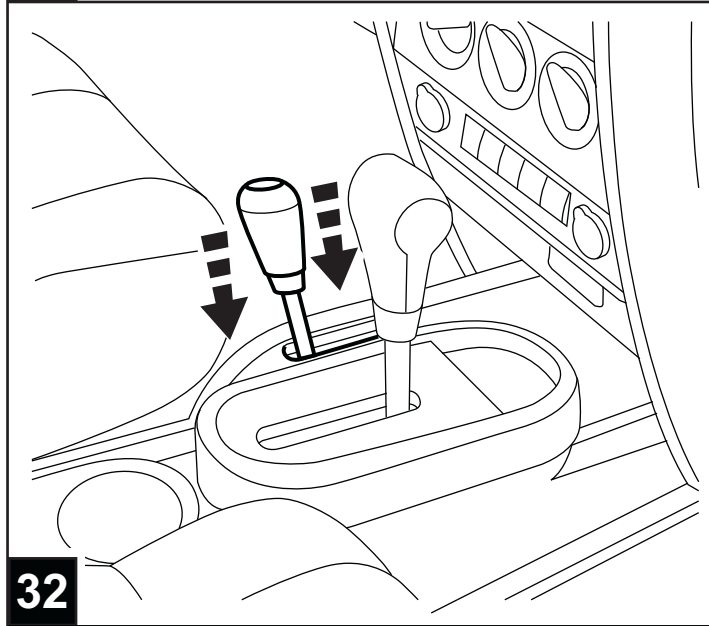
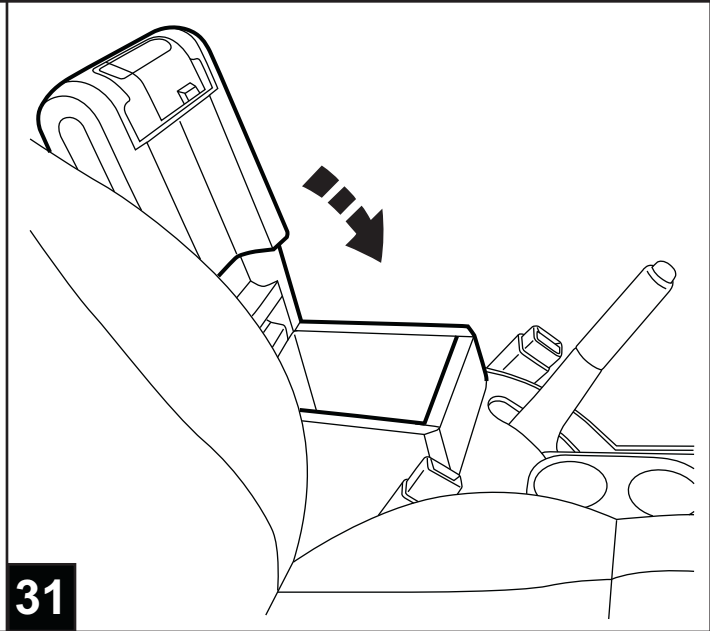
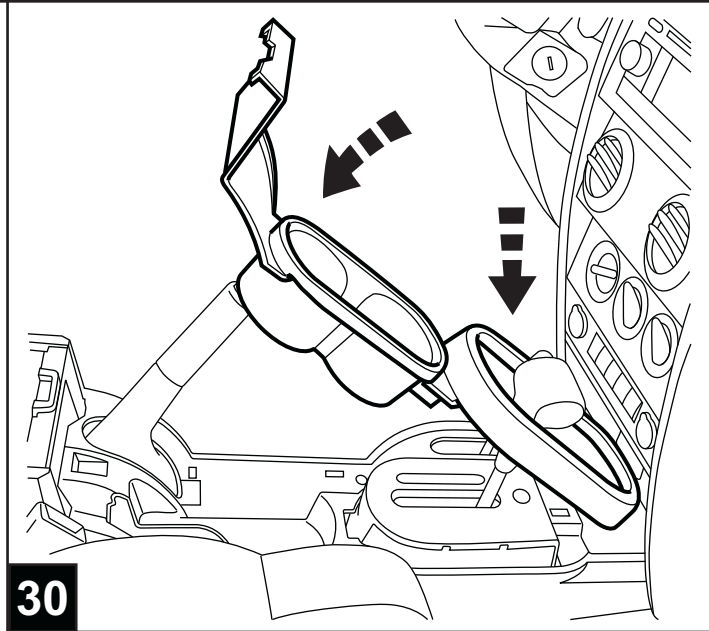
27

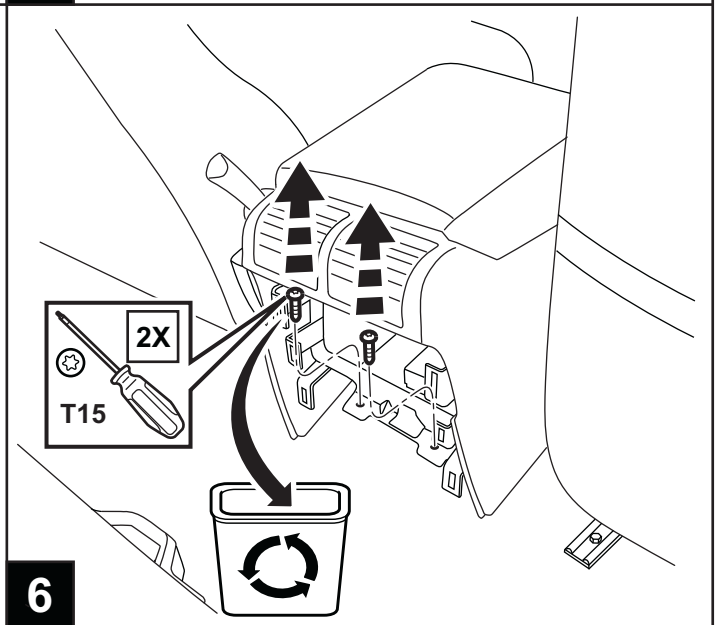
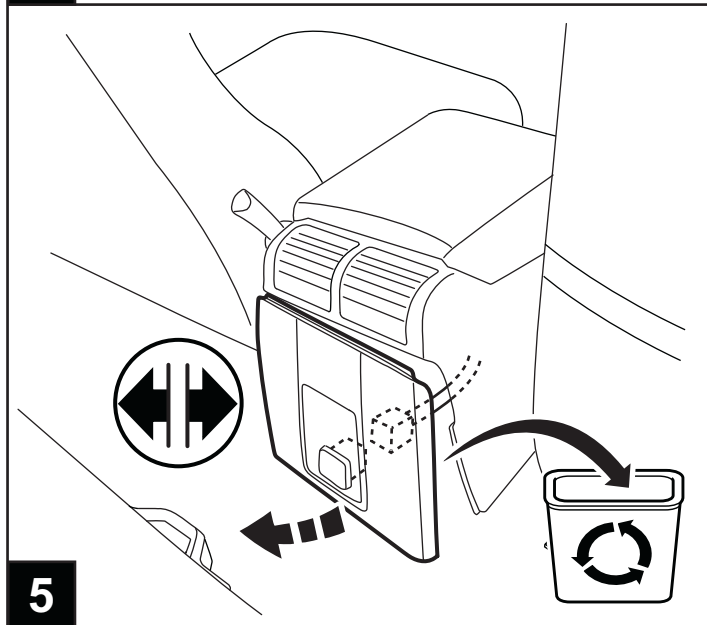
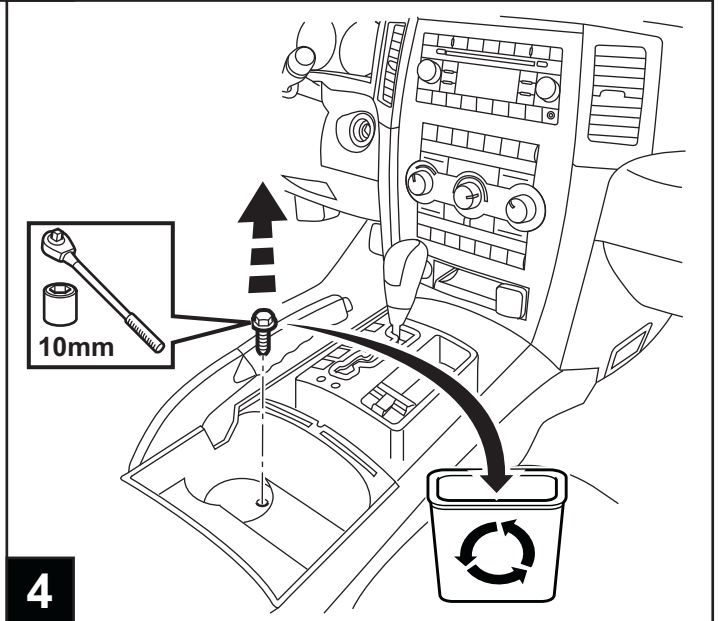
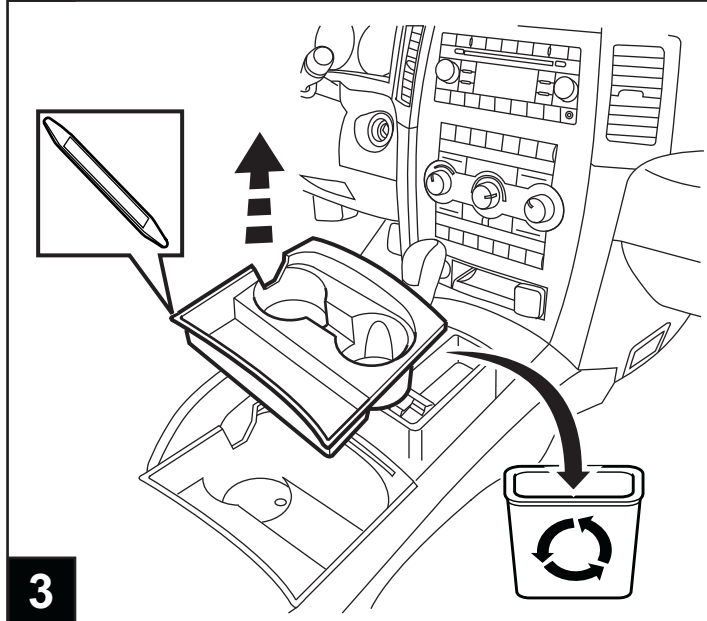
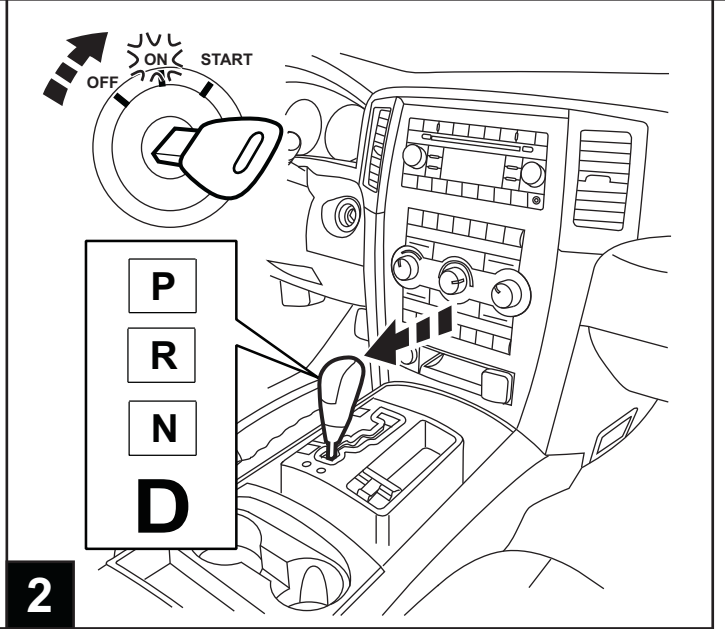
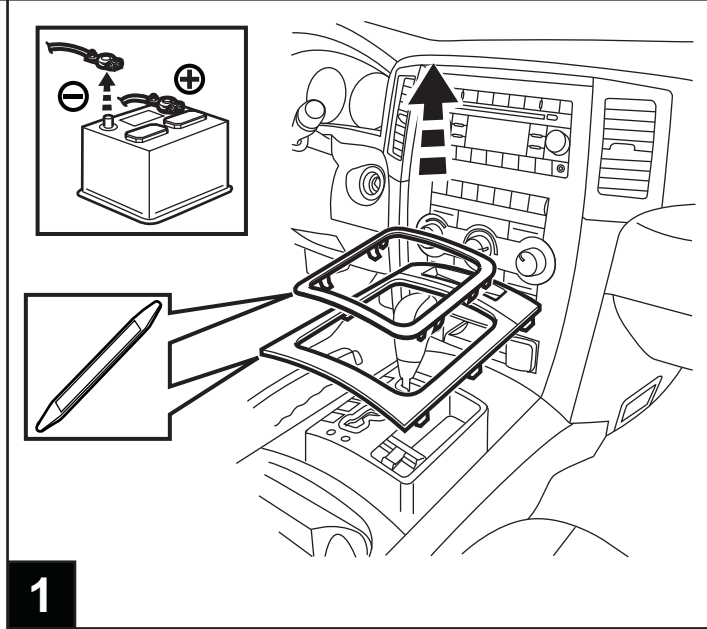


28

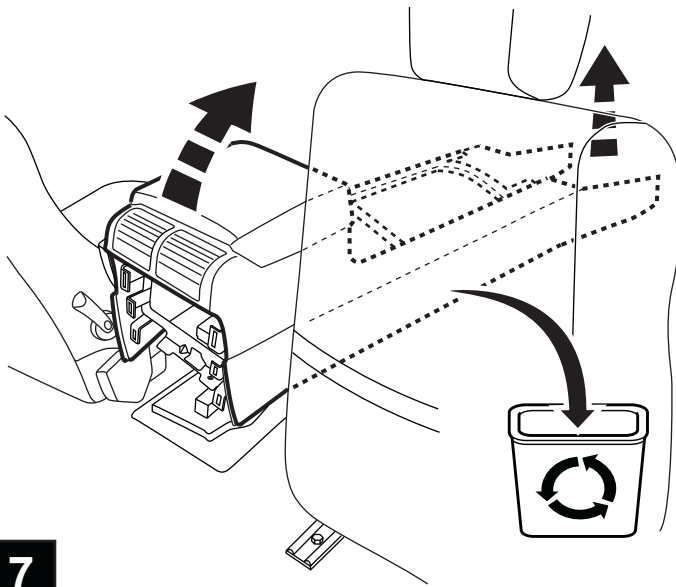


29

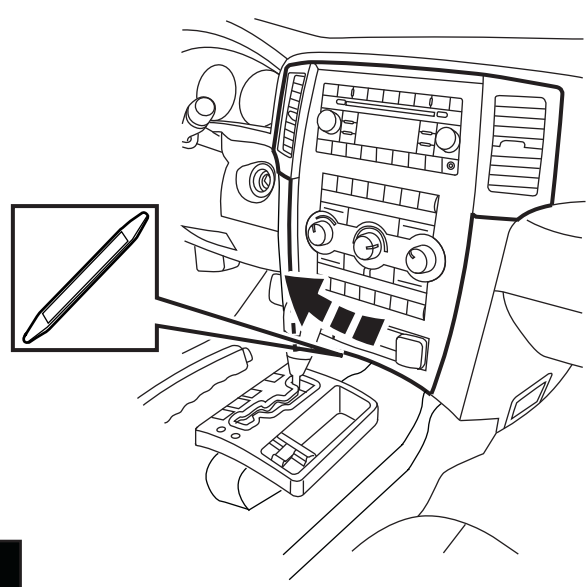




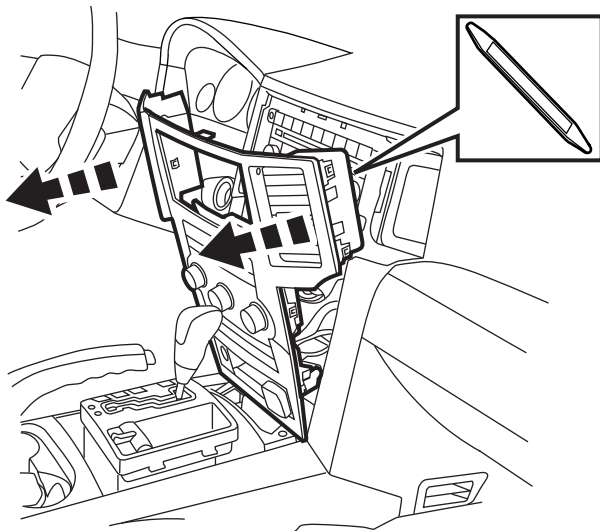
JEEP GRAND CHEROKEE



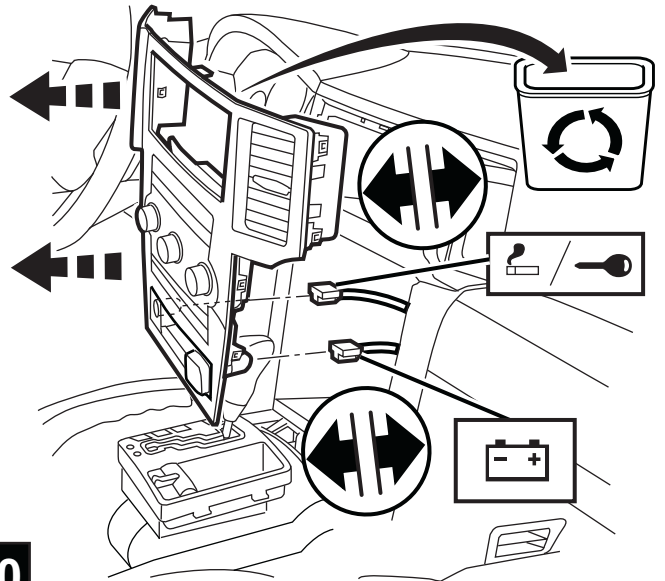
7



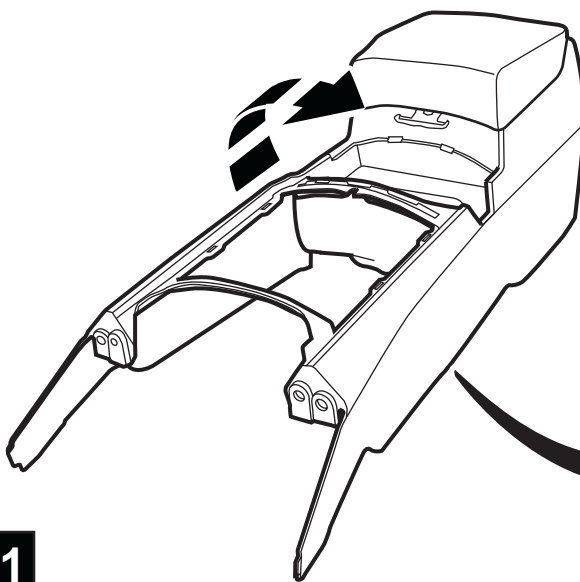
8



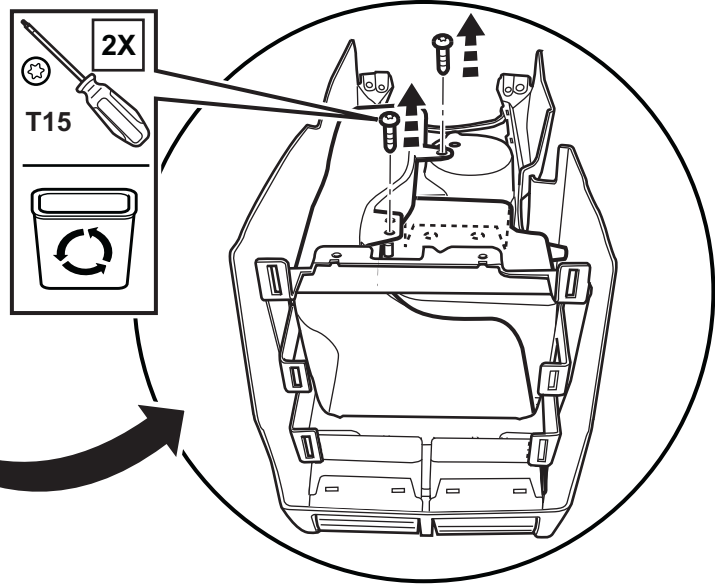
9

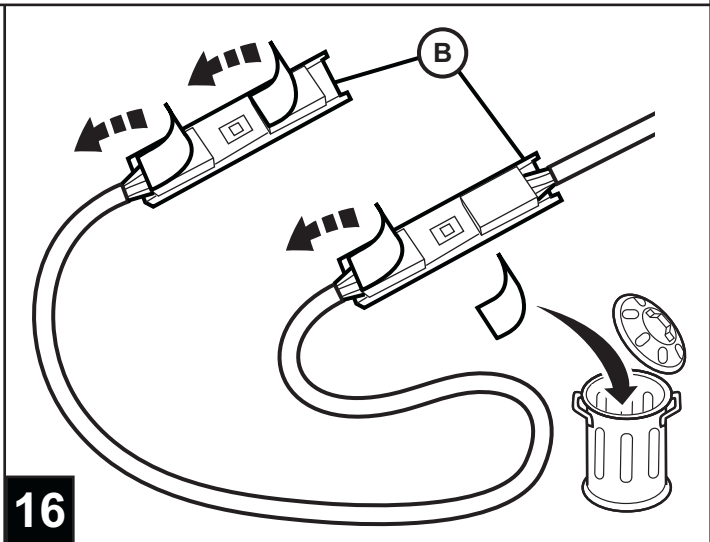
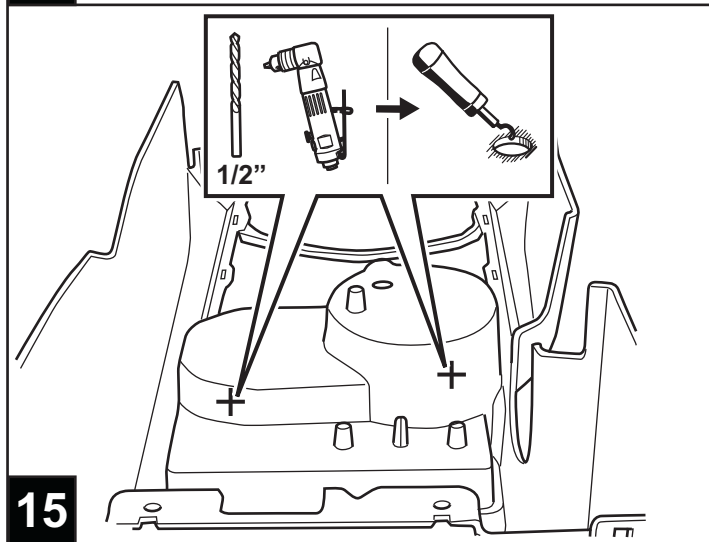
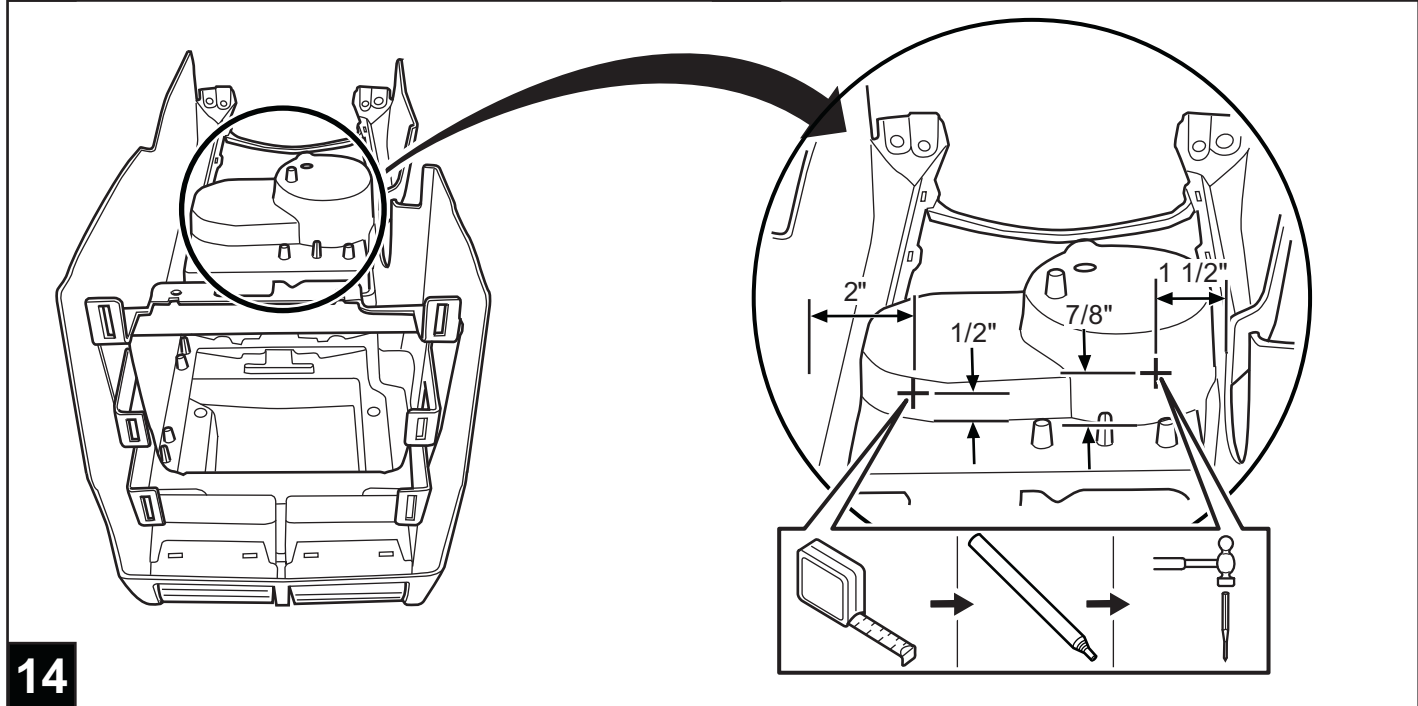
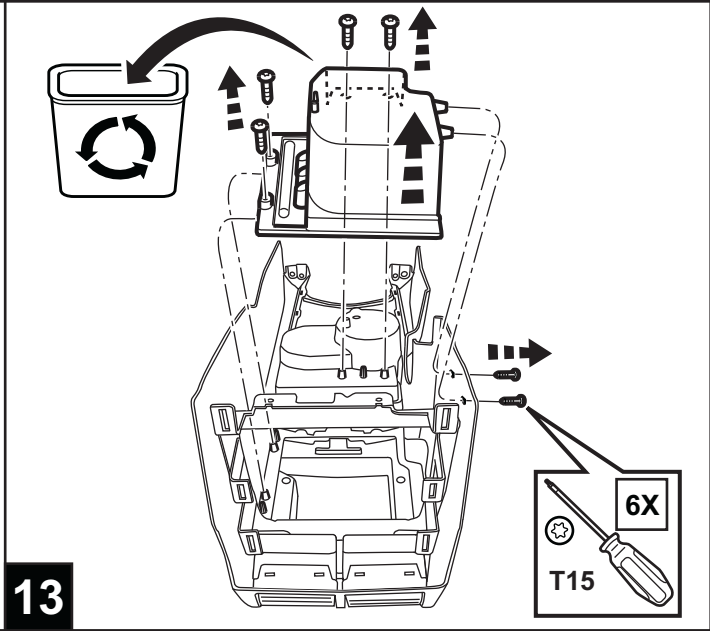
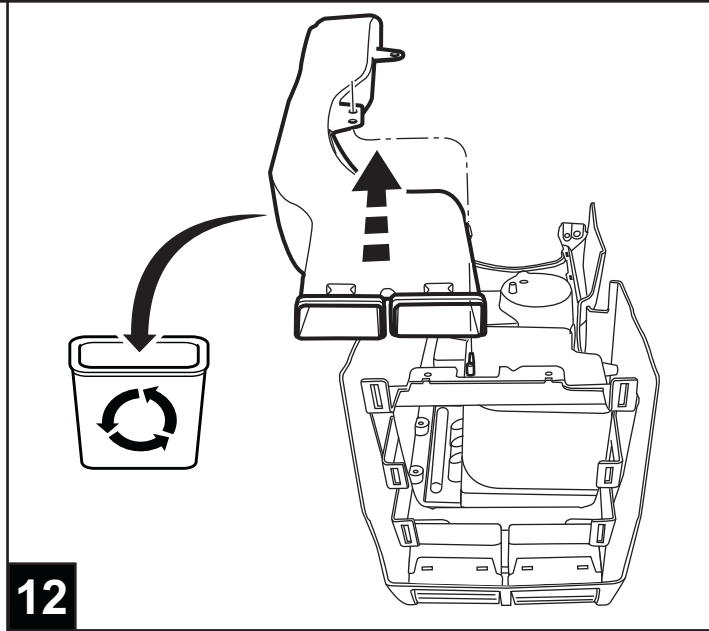


10

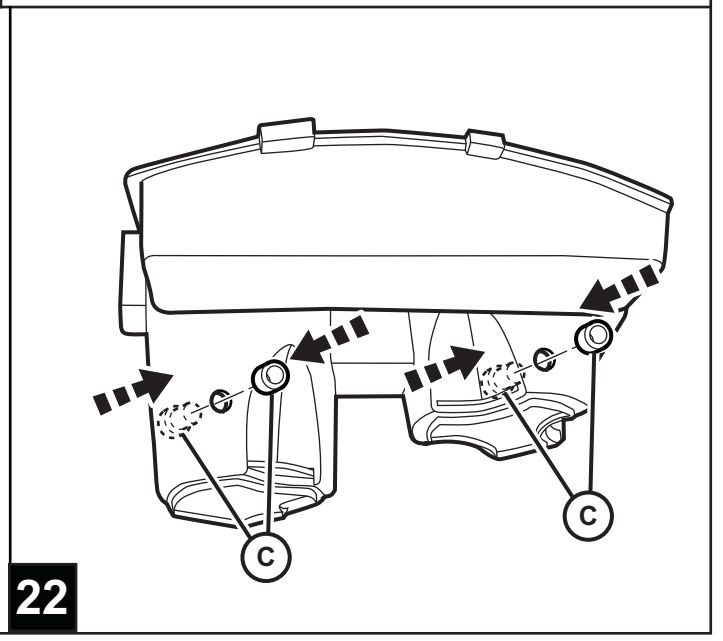
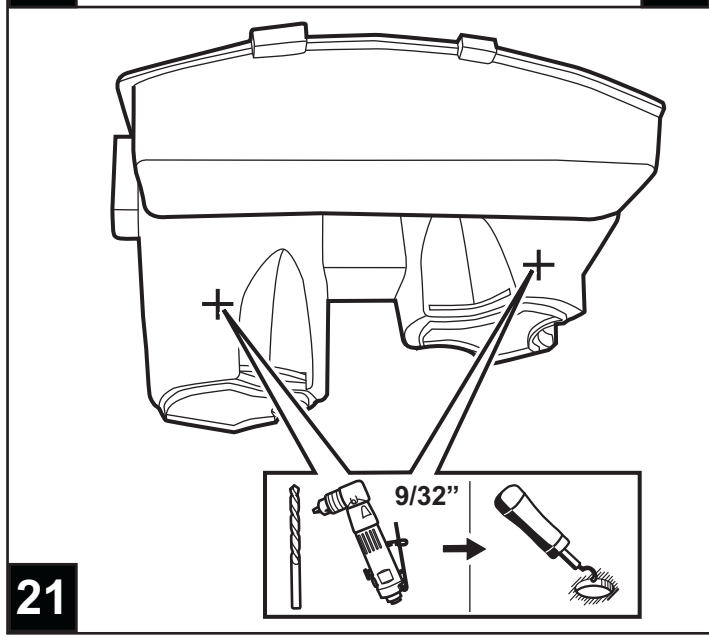
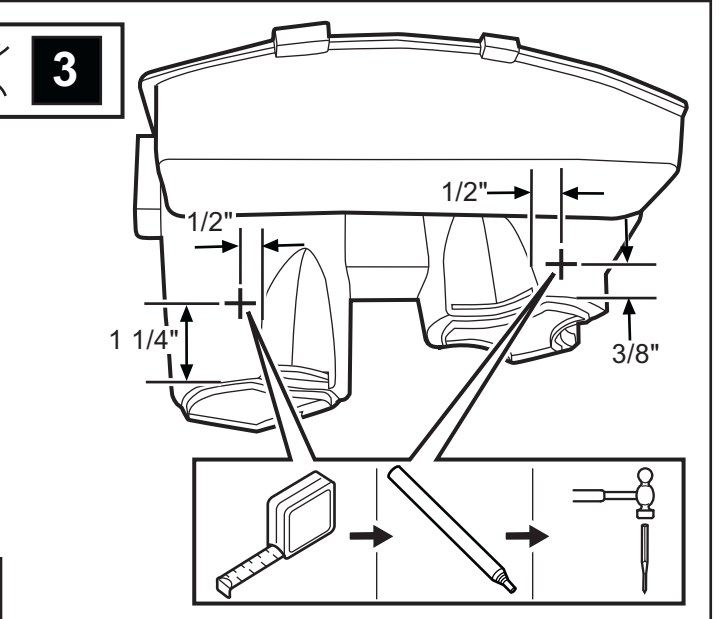
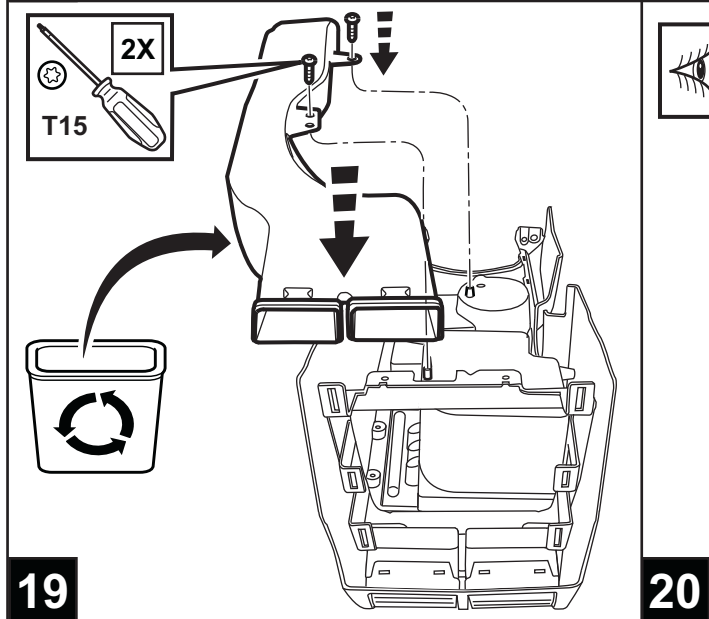
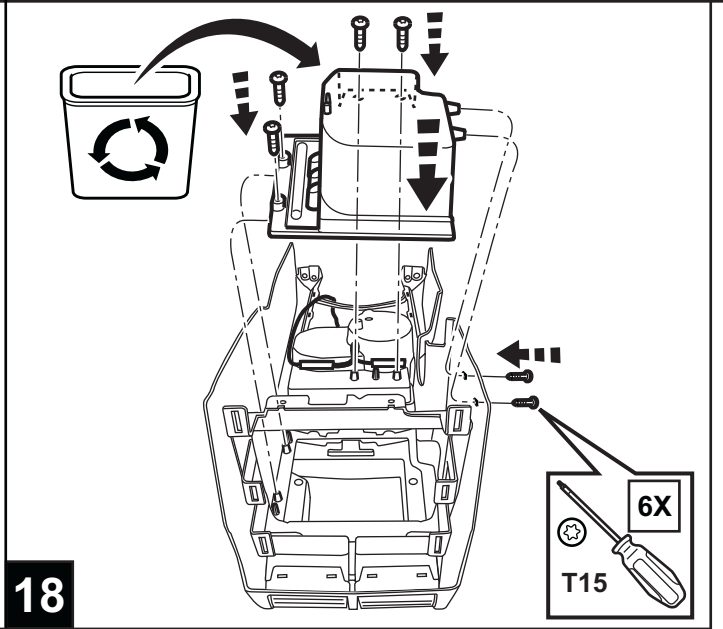
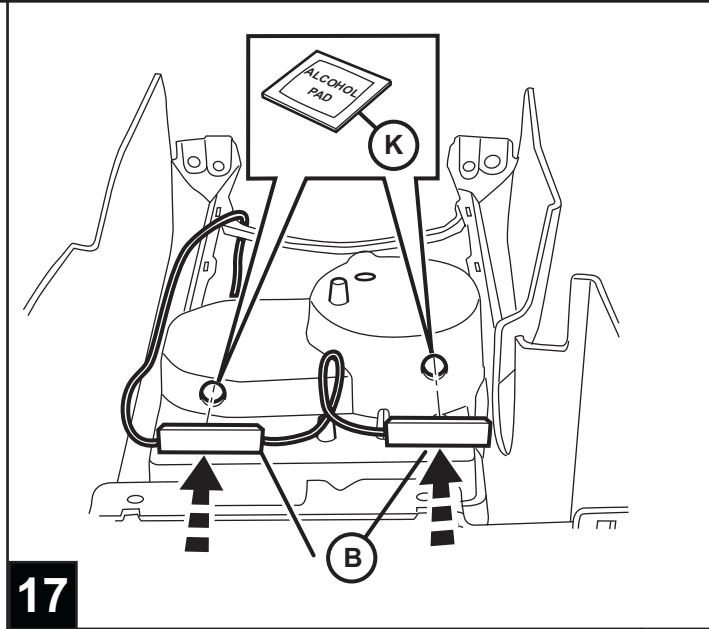


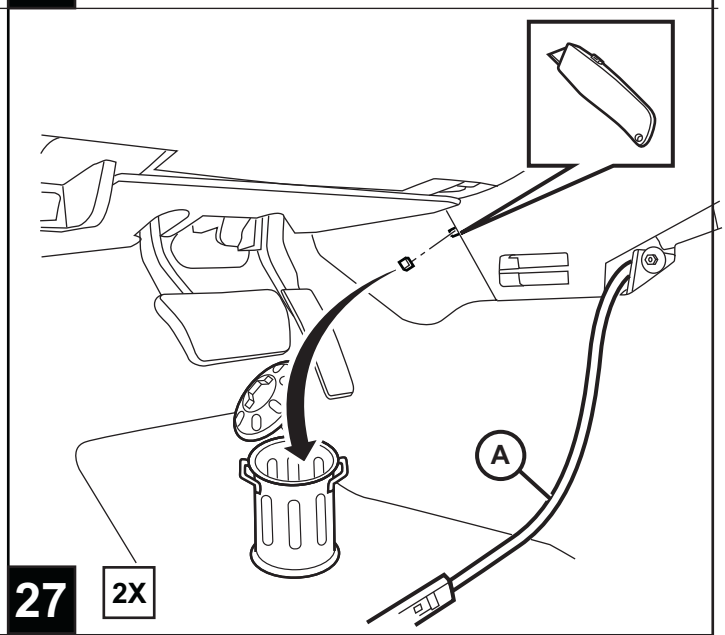
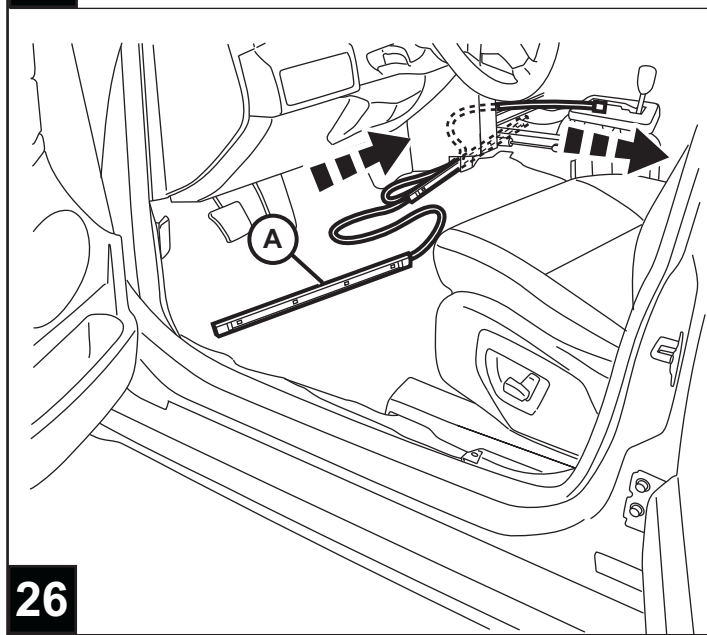
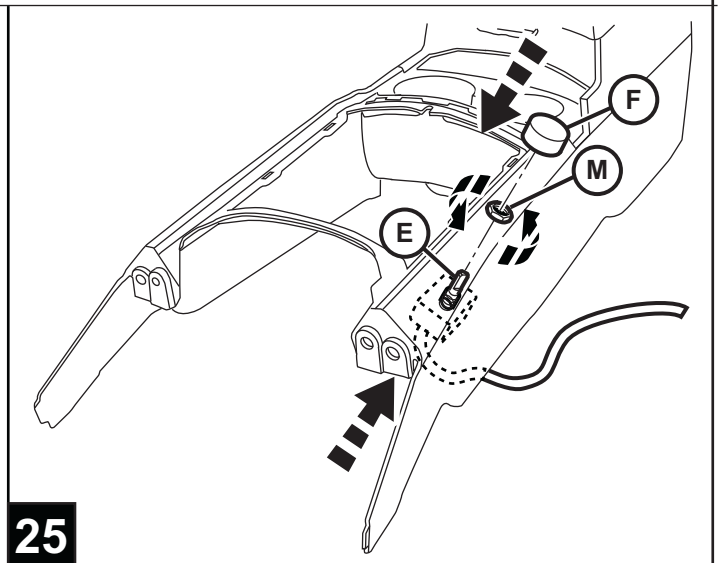
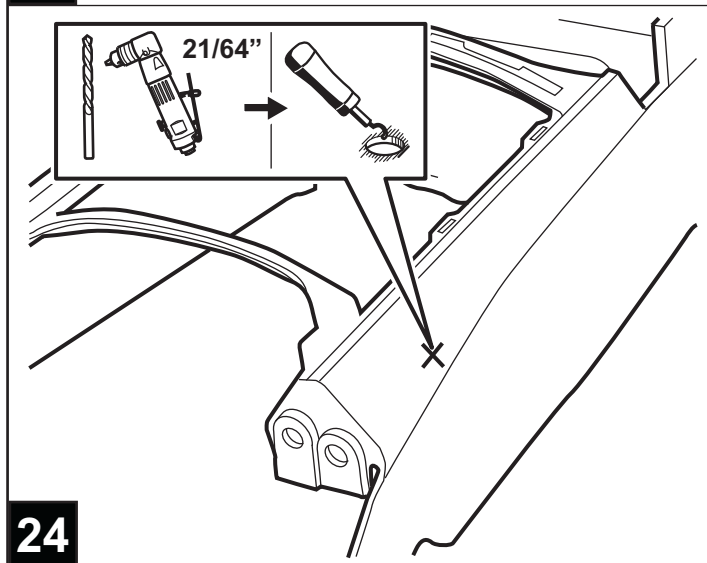
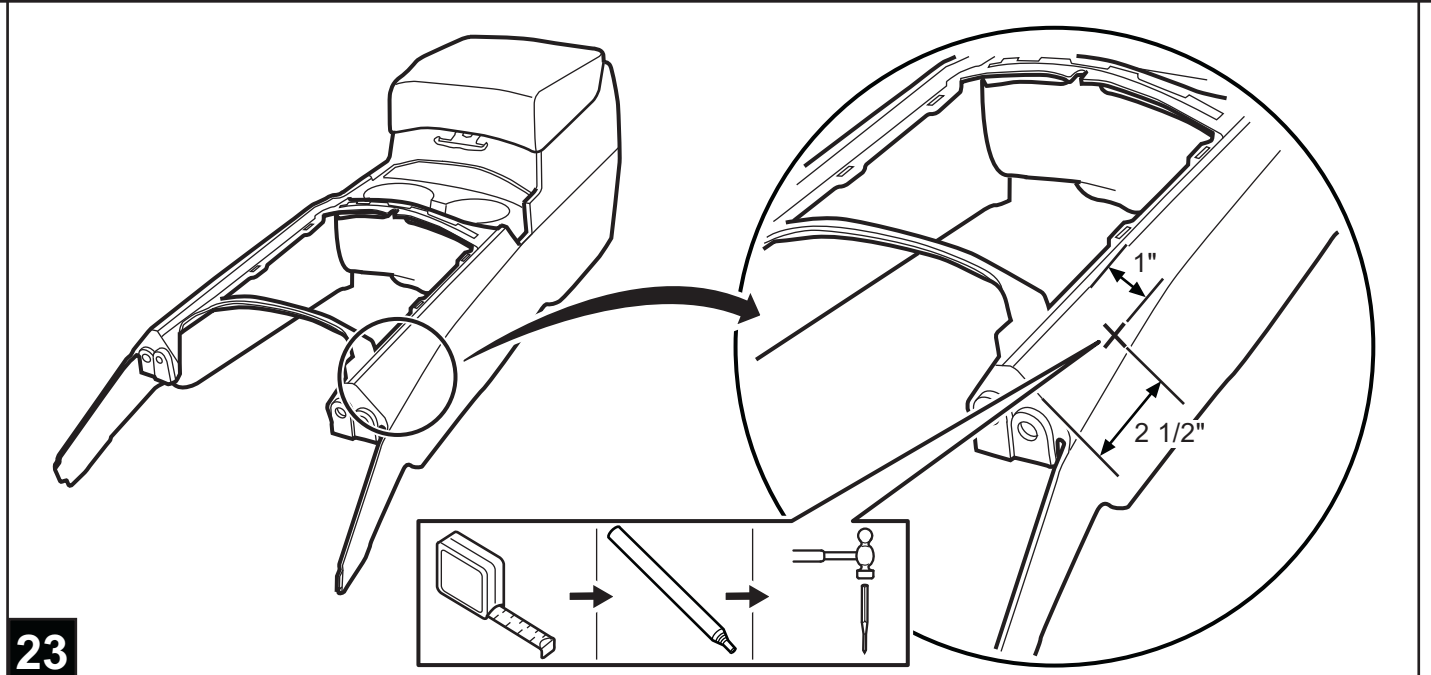
11



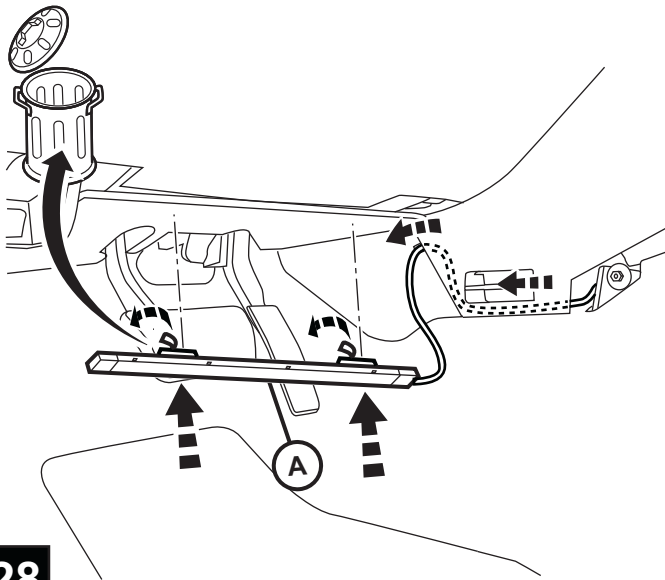


JEEP GRAND CHEROKEE

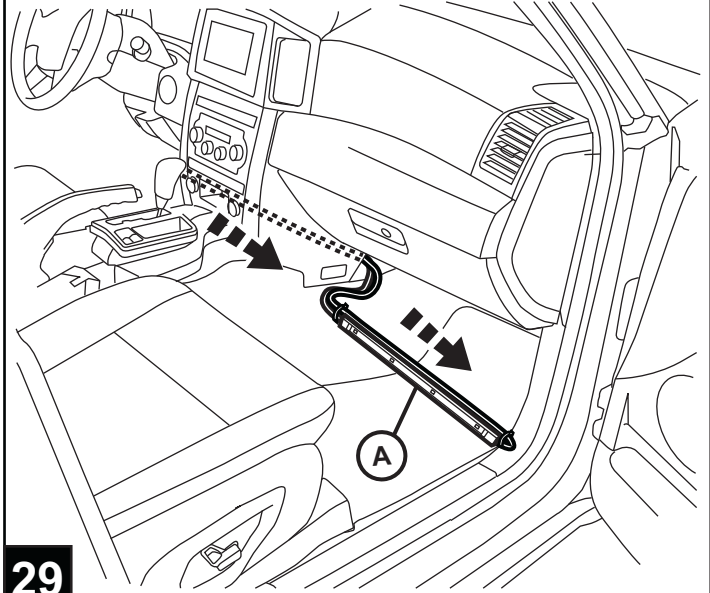




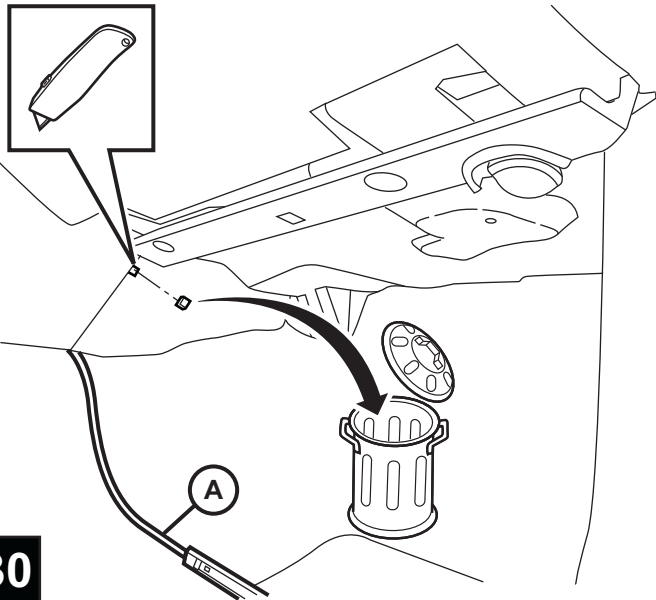
JEEP GRAND CHEROKEE



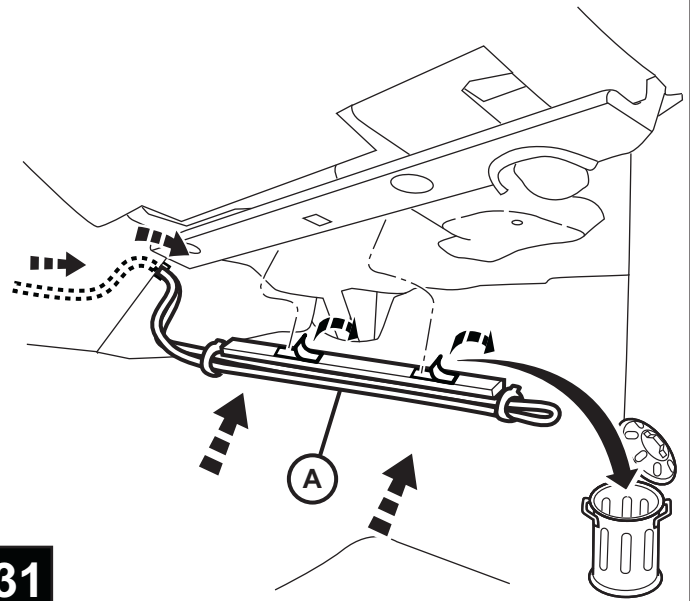
28



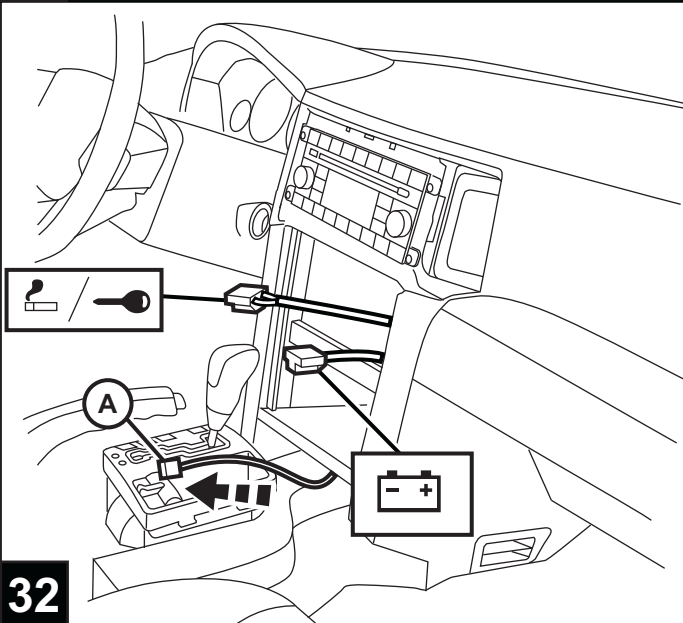
29



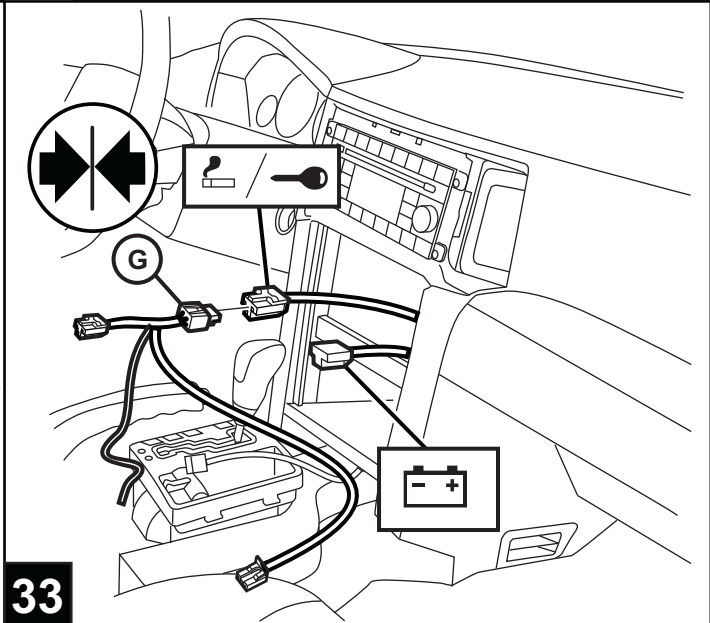
30



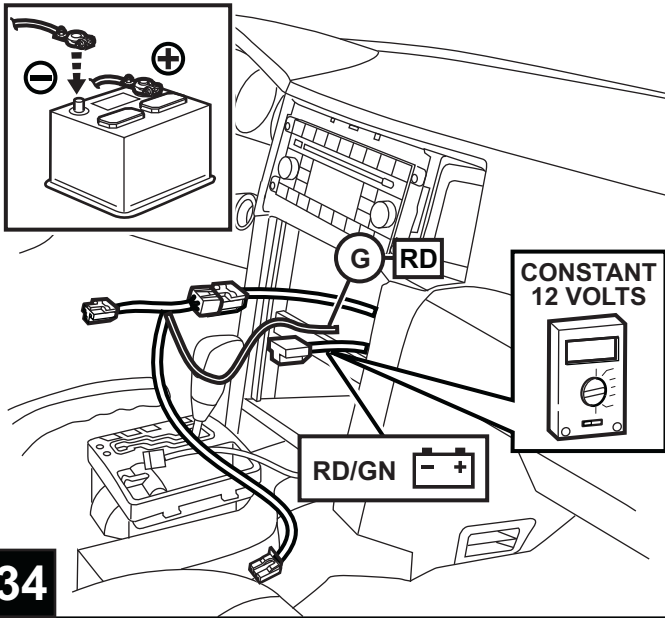
31



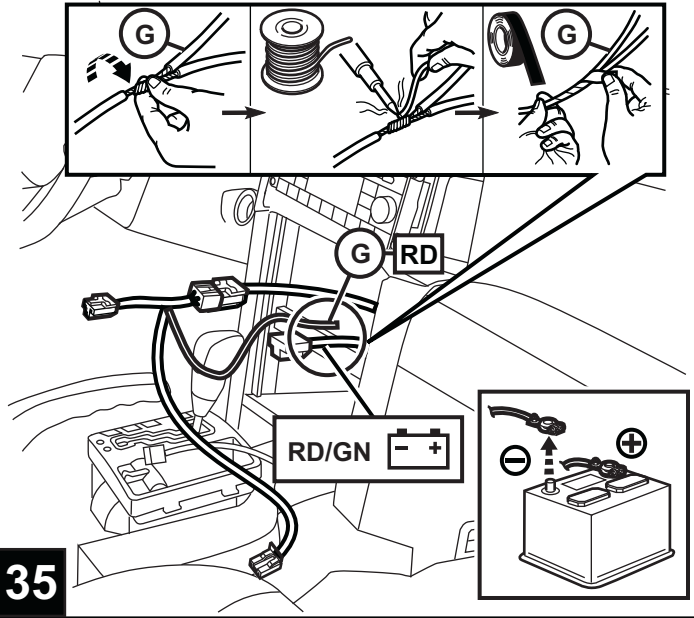
32



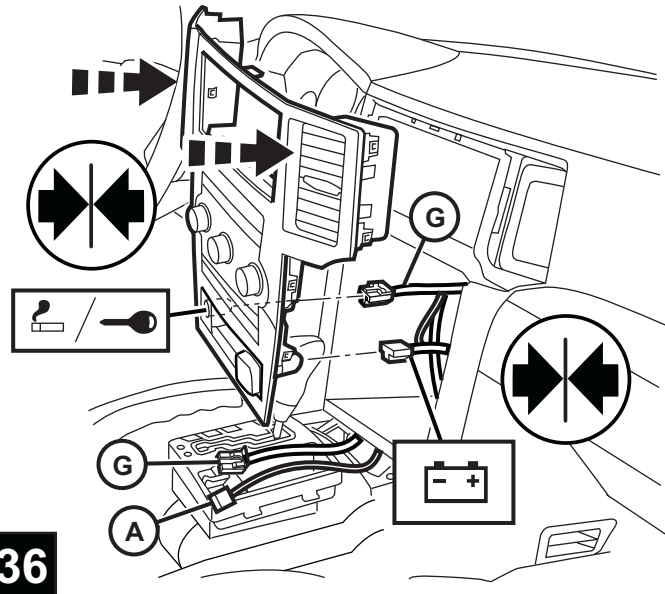
33



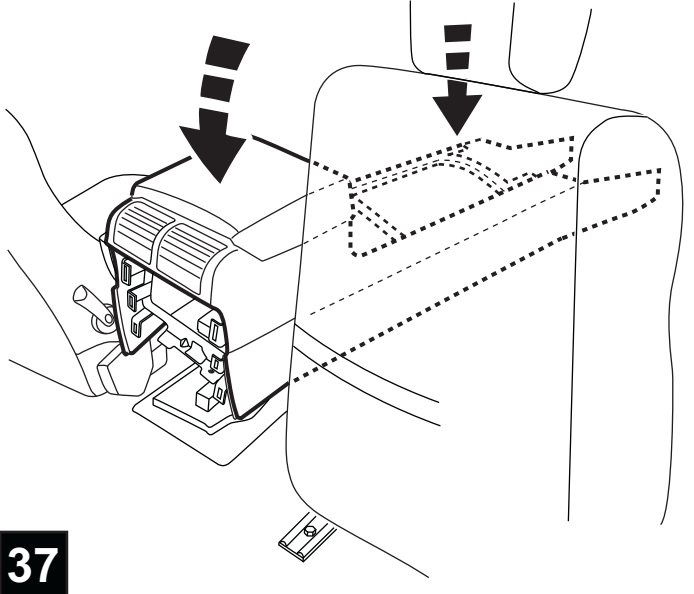
34



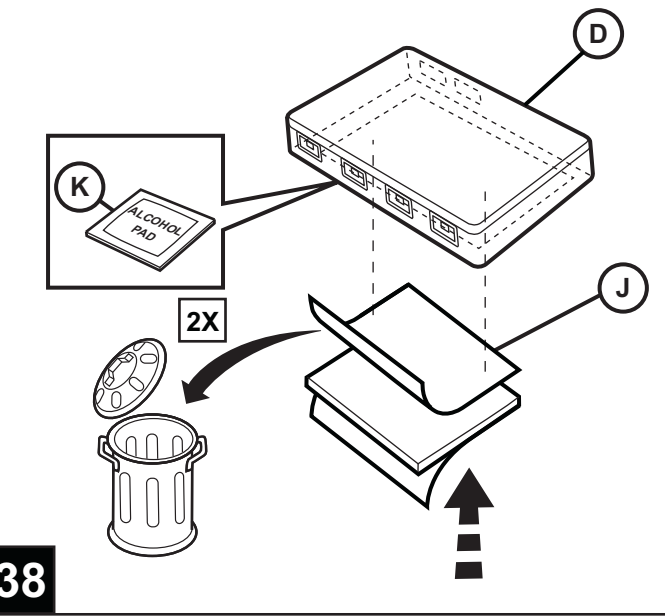
35



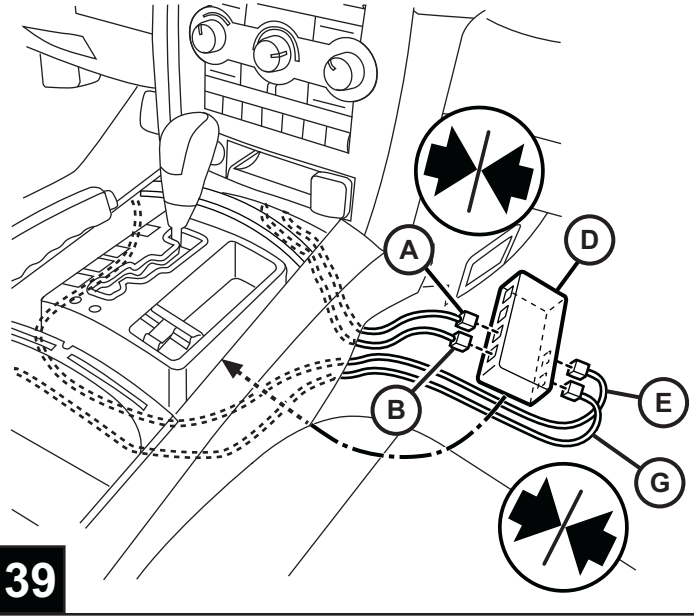
36



37

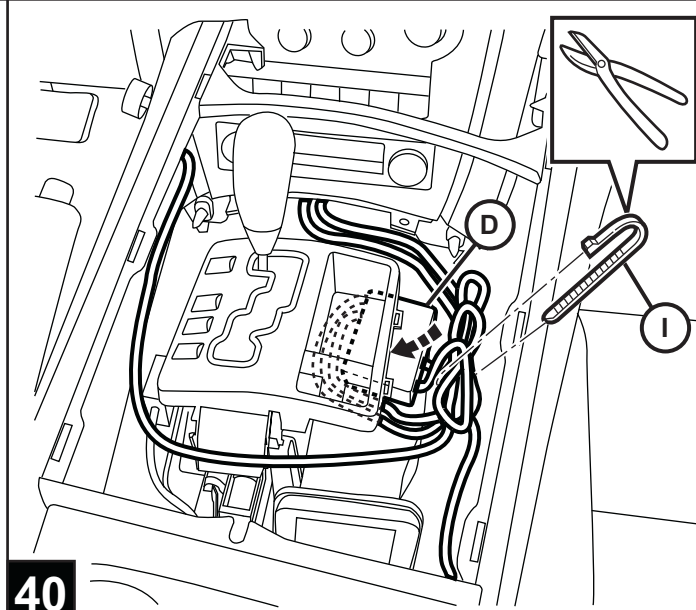


38

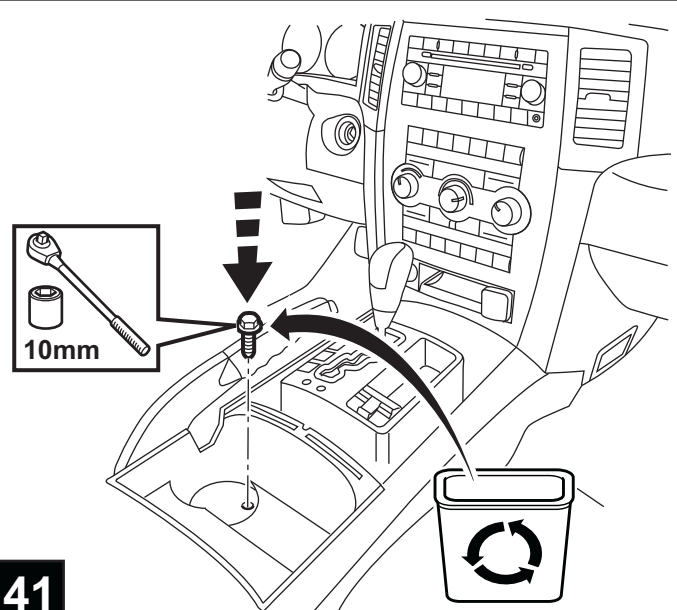


39

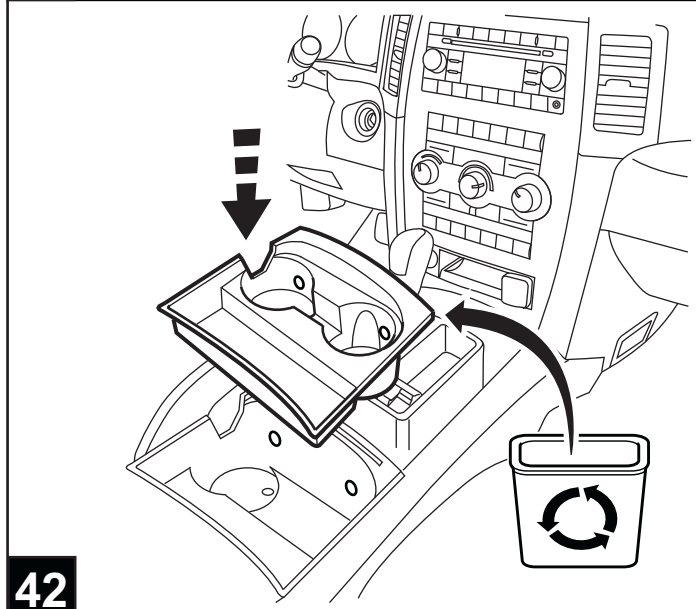
JEEP GRAND CHEROKEE



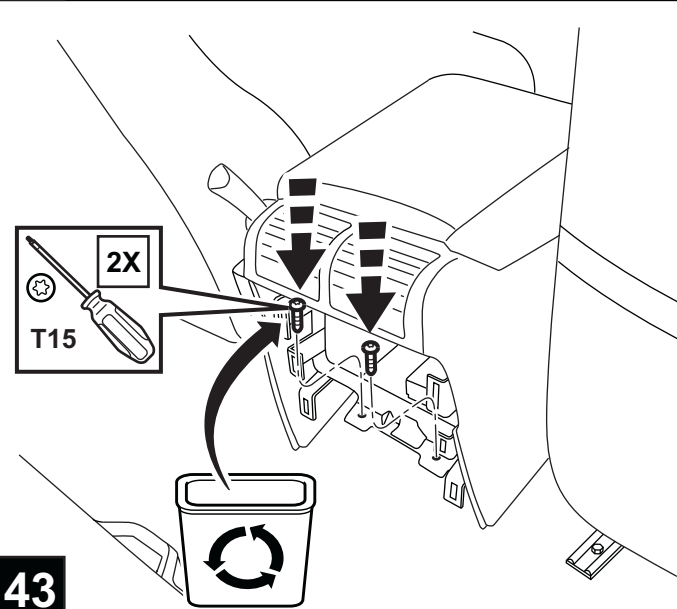
40



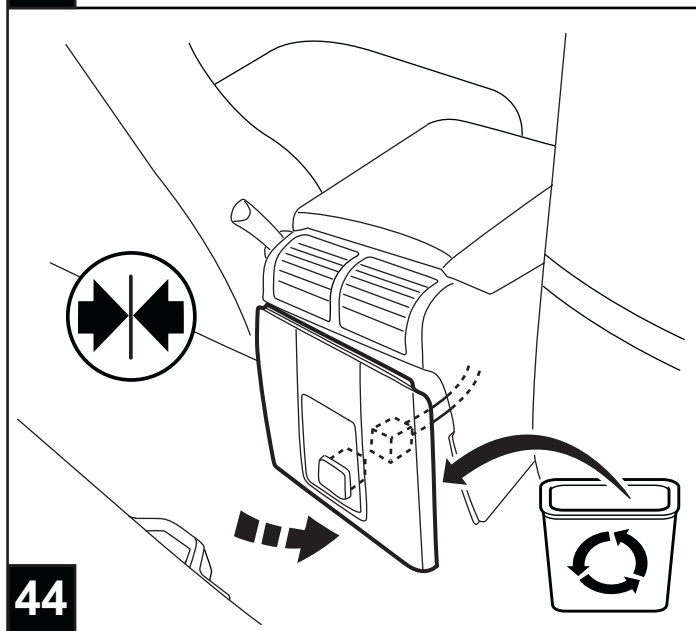
41



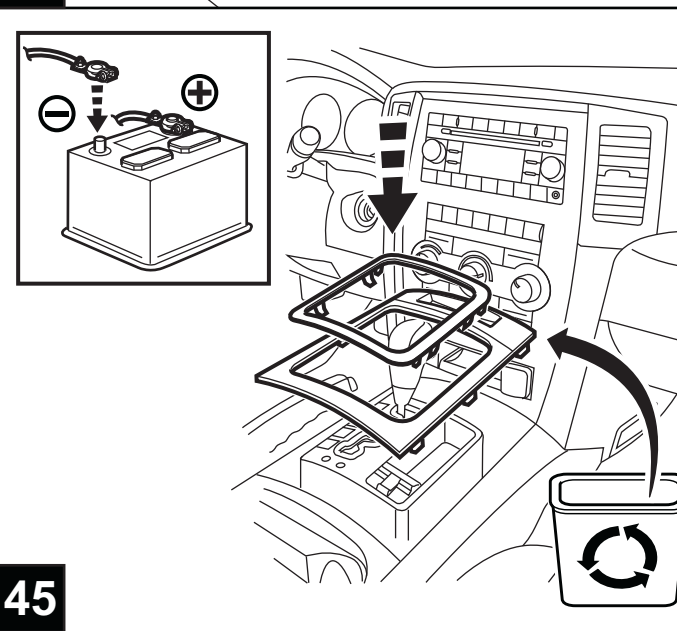
42



43



44



45