



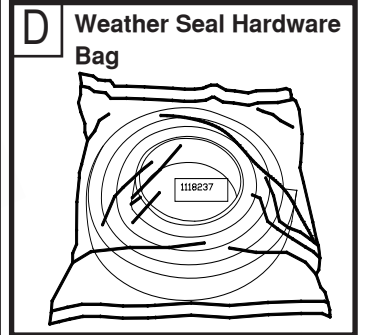
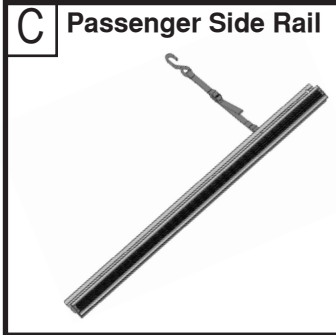
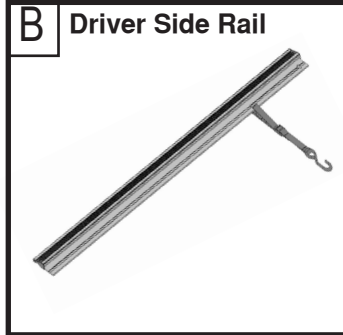
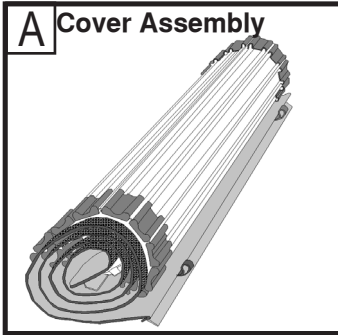
OWNER'S MANUAL

- Please read manual thoroughly before installing this kit. Failure to install cover properly will void warranty.
- Use picture keys below to verify componets found in shipping box and hardware bags.
- Damaged or missing parts? Call 1-877-878-9336 Mon - Fri 8 am-5 pm CT. Parts will be shipped to you factory direct. Do not return kit to place of purchase.



P/N 1118427 REV E

Components In Shipping Box:



Components Inside Hardware Bag "E", p/n 1118541:

E Main Parts Hardware Bag, Showing Components Inside This Hardware Bag.

1118539-hardware bag. Fasteners needed to mount the rear brackets for trucks WITH and WITHOUT the Trail Rail System.

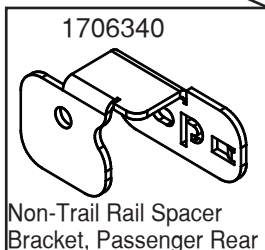
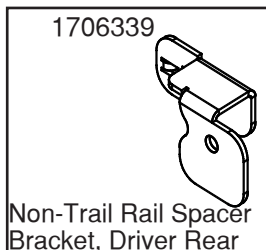
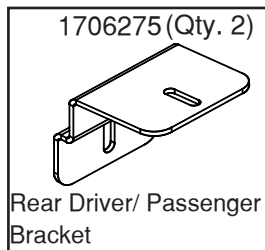
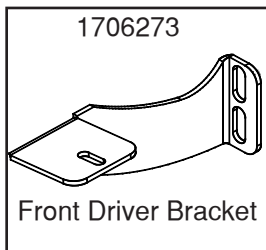
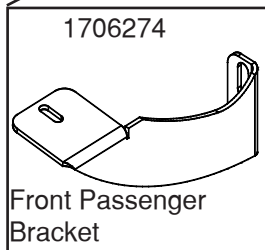
1118540-hardware bag. Side Rail Attachment Hardware for Both Trail Rail and Non-Trail Rail Truck Boxes.



1118538-hardware bag. Fasteners needed to mount the front brackets for trucks built BEFORE July 2020.

1706041-hardware bag. Fasteners needed to mount the front brackets for trucks built AFTER July 2020.

Mounting brackets for both Trail Rail and Non-Trail Rail Cargo Management Systems are located in this hardware bag.



TOOLS REQUIRED



7/16"



T-27



1/8" Hex



5mm Hex

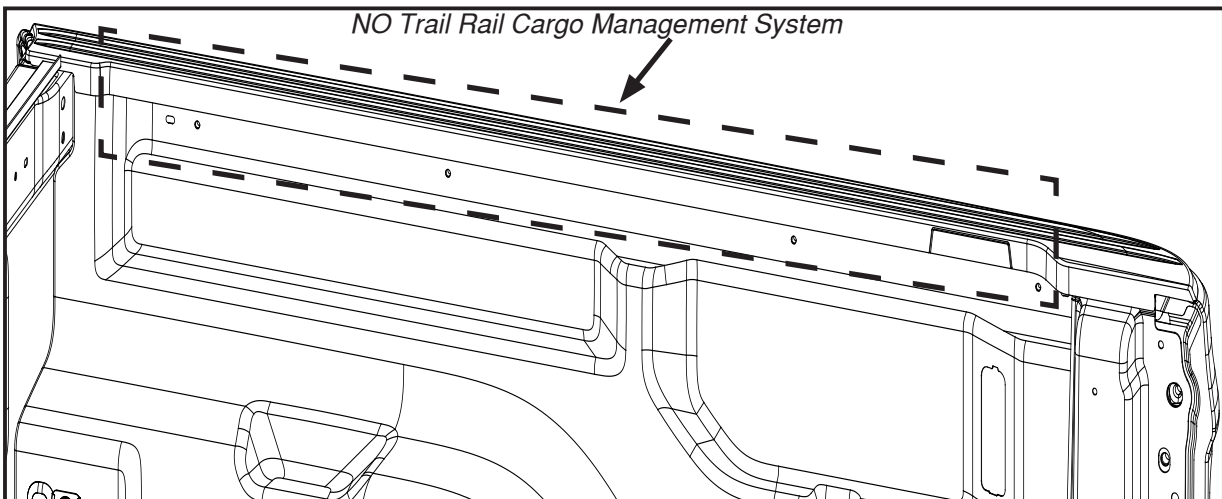
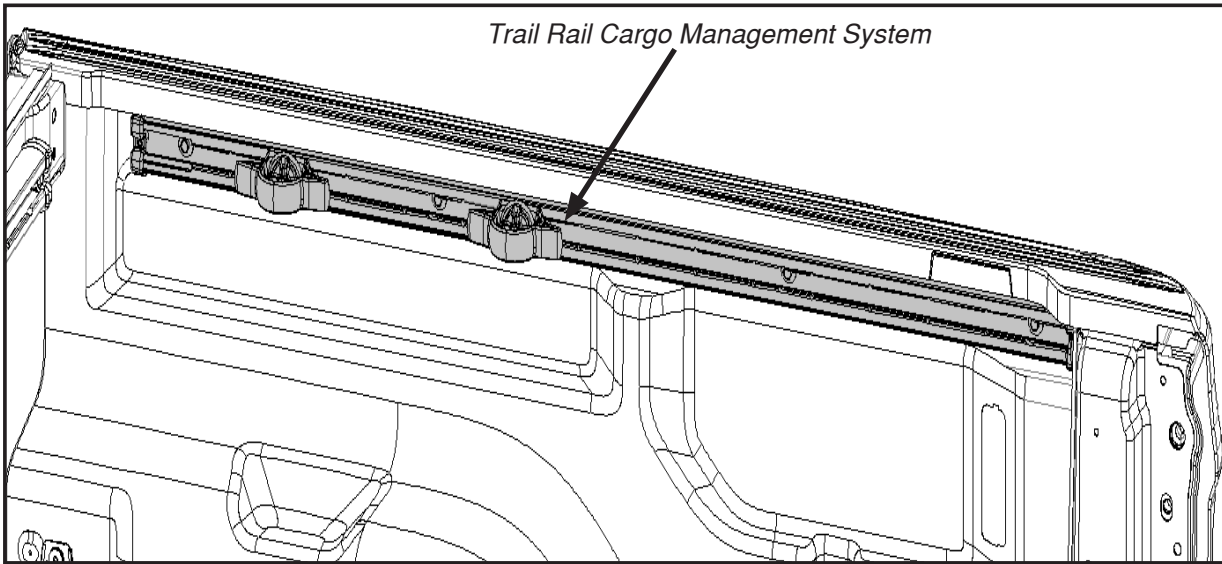


4mm Hex



IMPORTANT INFORMATION

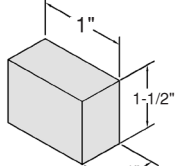
- This Sentry/Sentry CT truck cover will fit the Jeep Gladiator with and without the Trail Rail Cargo Management System.
- Different attachment brackets will be utilized to attach the Sentry / Sentry CT side rails.



FRONT WEATHER SEAL INSTALLATION STEPS

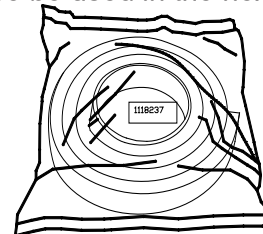
The next installation steps will use the foam blocks out of hardware bag 1118541

1705018 (Qty. 2)



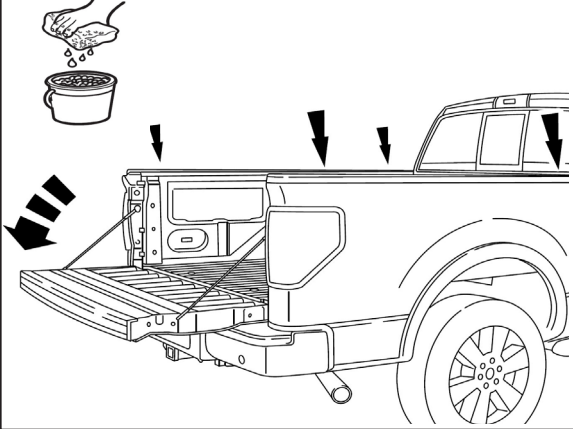
Foam Block Seal

Bulkhead weather seal, Item "D", will also be used in the next installation steps.

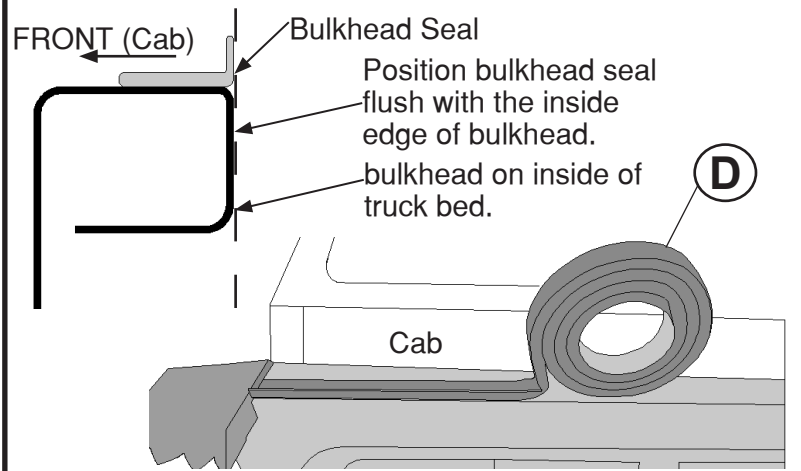


WEATHER SEAL INSTALLATION FOR TRUCKS WITH AND WITHOUT TRAIL RAILS:

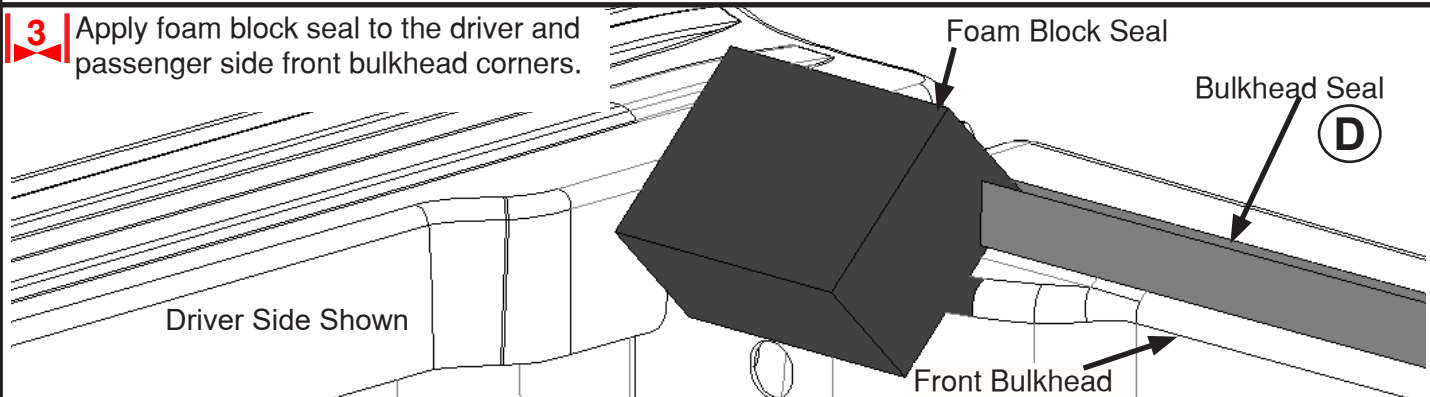
- 1** It is important that all areas where the bed cover mounts are clean and free of debris prior to installing.



- 2** Install the bulkhead seal supplied in the shipping box.



- 3** Apply foam block seal to the driver and passenger side front bulkhead corners.

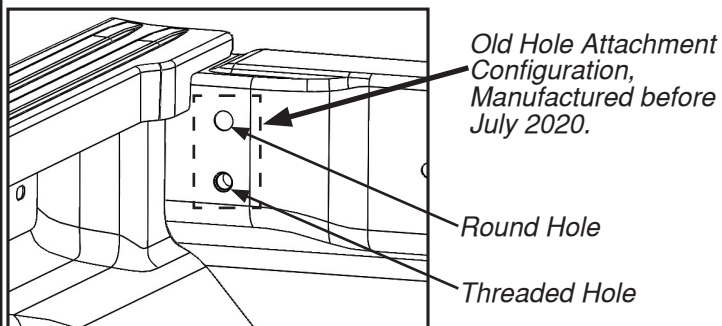


Attention:

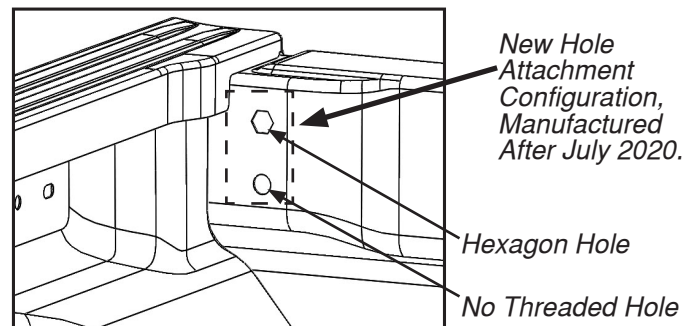
The next installation steps will show how to install the front mounting brackets and hardware for trucks with the old bulkhead and new bulkhead configuration. The front brackets will work for both the Trail Rail and Non-Trail Rail Cargo Management System for Jeep Gladiator's.

NOTE: The front bracket installation will require identifying the bulkhead mounting hole configuration of your truck. This will determine which hardware packages to use.

Old Hole Attachment Configuration

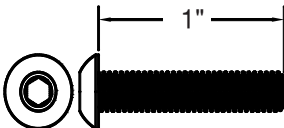
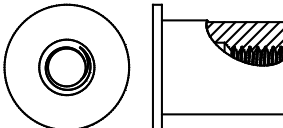
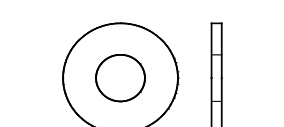
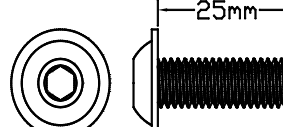


New Hole Attachment Configuration

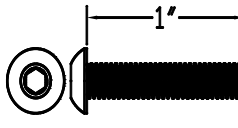
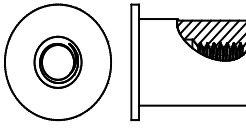
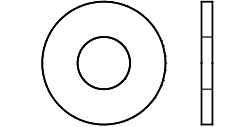
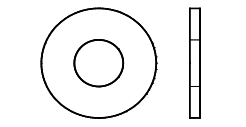
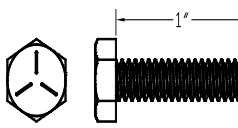
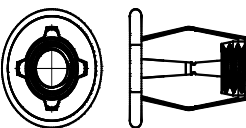
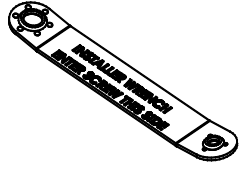


FRONT BRACKETS AND HARDWARE NEEDED FOR TRAIL RAIL AND NON-TRAIL RAIL TRUCK BEDS

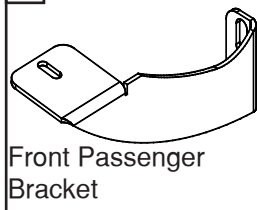
**Trucks Built Before July 2020
Use Hardware Bag 1118538**

<p>1 1706278 (Qty. 2)</p>  <p>Screw Button Head 10-32 x 1"</p>	<p>2 1706279 (Qty. 2)</p>  <p>Neoprene Well Nut 10-32</p>
<p>3 1706347 (Qty. 2)</p>  <p>Flat Washer #10</p>	<p>4 1706277 (Qty. 2)</p>  <p>Screw Button Head m8 x 1.25 x 25mm</p>

**Trucks Built After July 2020
Use Hardware Bag 1706541**

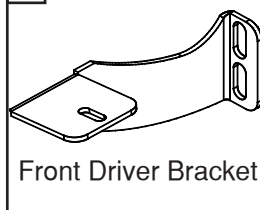
<p>5 1706278 (Qty. 2)</p>  <p>Screw Button Head 10-32 x 1"</p>	<p>6 1706279 (Qty. 2)</p>  <p>Neoprene Well Nut 10-32</p>
<p>7 1700427 (Qty. 4)</p>  <p>Flat Washer 1/4"</p>	<p>8 1706347 (Qty. 2)</p>  <p>Flat Washer #10</p>
<p>9 1700381 (Qty. 2)</p>  <p>Screw Hex Head 1/4-20 x 1"</p>	<p>10 1706542 (Qty. 2)</p>  <p>Jack Nut 1/4-20</p>
<p>11 1706543</p>  <p>Jack Nut Friction Wrench</p>	

12 1706274



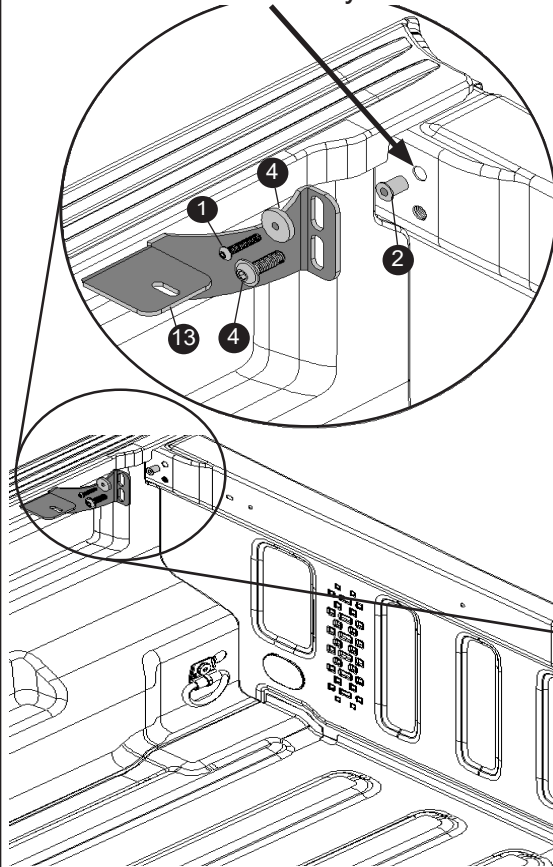
Front Passenger Bracket

13 1706273

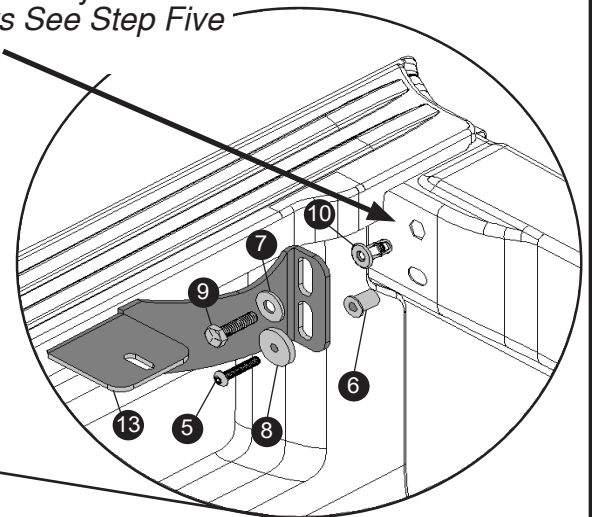


Front Driver Bracket

Bulkhead Hole Configuration of Trucks Built Before July 2020.



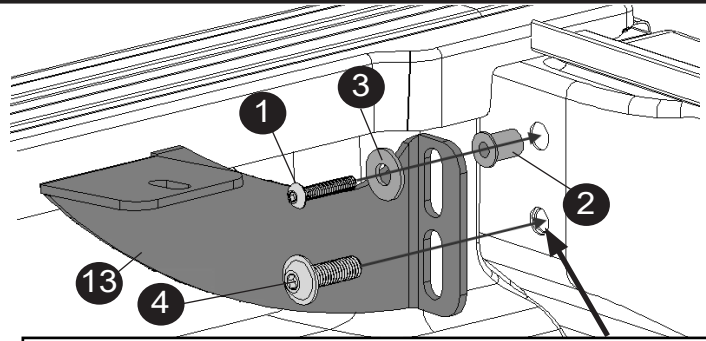
Bulkhead Hole Configuration of Trucks Built After July 2020. To Insert Jack Nuts See Step Five On Next Page.



4 Bracket to front bulkhead assembly configuration for trucks built before July 2020. Use hardware bag 1118538.

Assemble front bracket to the bulkhead as shown (driver side shown). Leave all fasteners fingertight at this time.

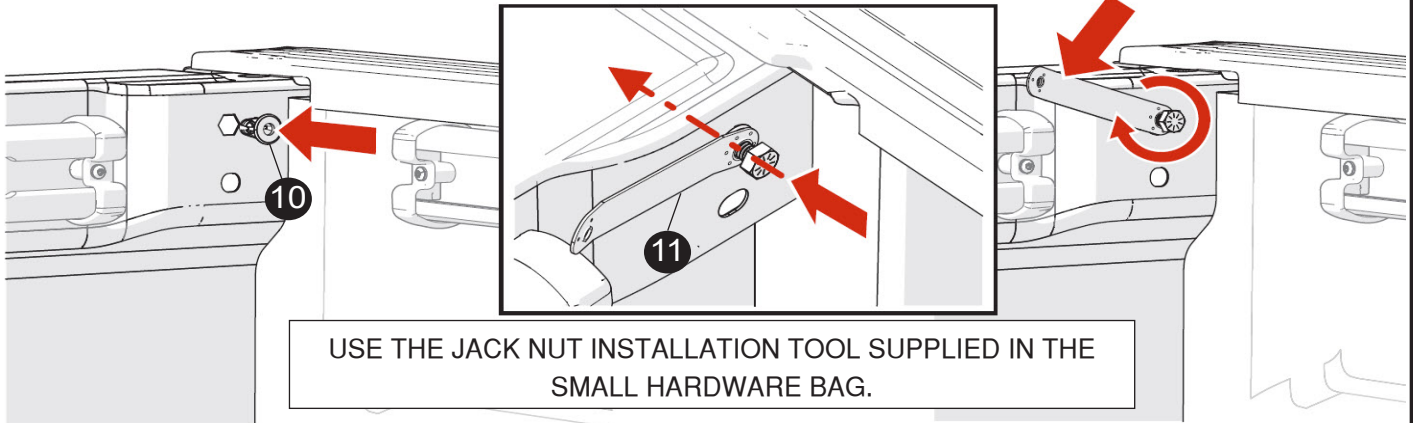
Assemble the passenger side bracket to the bulkhead using the same method and hardware provided in hardware bag 1118538.



ATTENTION: If needed, clean out the threaded holes in the pickup bed with a m8 tap before installing fasteners

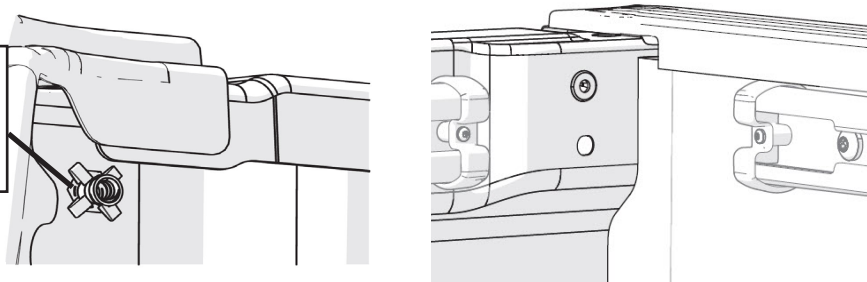
Bracket To Front Bulkhead Assembly Configuration for Trucks Built After July 2020. Use Hardware From Bag 1706541.

5 Insert the jack nut into the upper hexagonal hole. Next, insert the 1/4"-20 screw through the jack nut installation tool and thread into the jack nut. Use the install wrench to hold the jack nut from turning while tightening the bolt with a wrench socket. This will pull and collapse the jack nut. Once the screw has stopped turning, remove it for installation at a latter step.



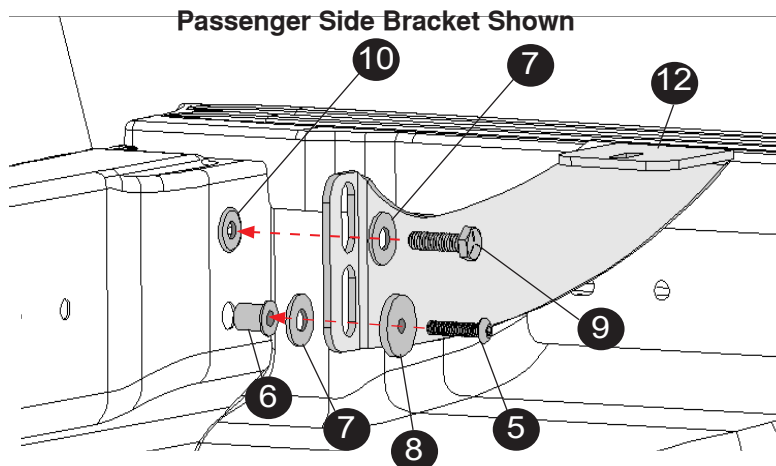
USE THE JACK NUT INSTALLATION TOOL SUPPLIED IN THE SMALL HARDWARE BAG.

Seeing the jack nut from behind is difficult, but it will collapse as shown



Thread the buttonhead screw through the #10 oversize washer, through the bottom hole in the bracket, through the flat washer, and into the well nut.

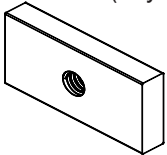
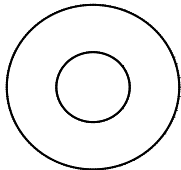
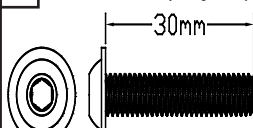
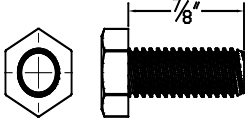
Note:
Assemble just until contact is made, do not tighten fasteners just yet.




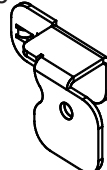
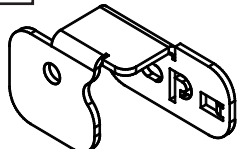
Thread the 1/4"-20 screw through the flat washer, into the top hole of the bracket, and then into the jack nut. **Follow the same steps to assemble the driver side bracket on the other side.**

REAR BRACKET ASSEMBLIES

Rear Bracket Hardware, Use Hardware Bag 1118539

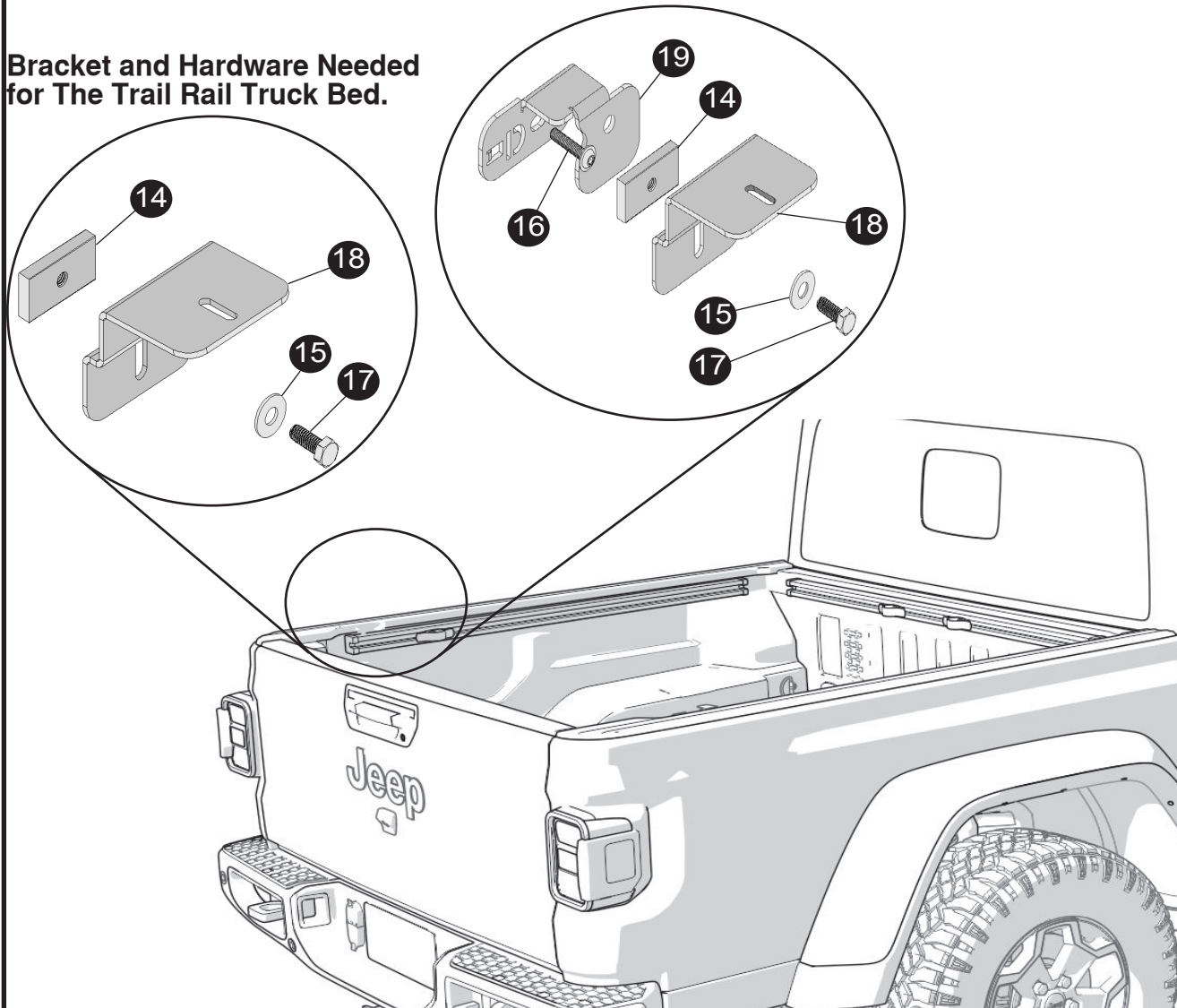
<p>14 1705880 (Qty. 2)</p>  <p>Rectangle Block Threaded 5/16-18</p>	<p>15 1700428 (Qty. 2)</p>  <p>Flat Washer 5/16"</p>	<p>16 1706342 (Qty. 2)</p>  <p>Screw Button Head m6 x 1.00 x 30mm</p>	<p>17 1705954 (Qty. 2)</p>  <p>Screw Hex Head 5/16-18 x 7/8"</p>
----------------------------------------------------------------------------------------------------------------------------------------------------------	---------------------------------------------------------------------------------------------------------------------------------------	-------------------------------------------------------------------------------------------------------------------------------------------------------------	---------------------------------------------------------------------------------------------------------------------------------------------------------

Rear Brackets, Located in Hardware Bag 1118537

<p>18 1706275 (Qty. 2)</p>  <p>Rear Driver/ Passenger Bracket</p>	<p>19 1706339</p>  <p>Non-Trail Rail Spacer Bracket, Driver Rear</p>	<p>20 1706340</p>  <p>Non-Trail Rail Spacer Bracket, Passenger Rear</p>
--------------------------------------------------------------------------------------------------------------------------------------------------------	-----------------------------------------------------------------------------------------------------------------------------------------------------------	---------------------------------------------------------------------------------------------------------------------------------------------------------------

Bracket and Hardware Needed for The Non-Trail Rail Truck Bed.

Bracket and Hardware Needed for The Trail Rail Truck Bed.



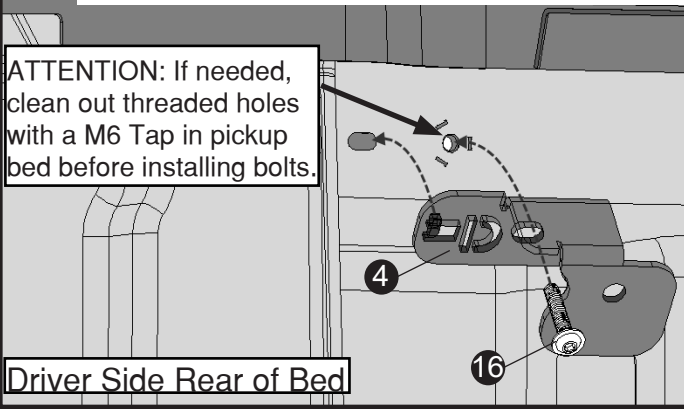
INSTALLING REAR BRACKETS TO NON-TRAIL AND TRAIL RAIL TRUCK BOXES.

- Follow steps 6 and 7 to attach rear brackets to a Non-Trail Rail truck box.

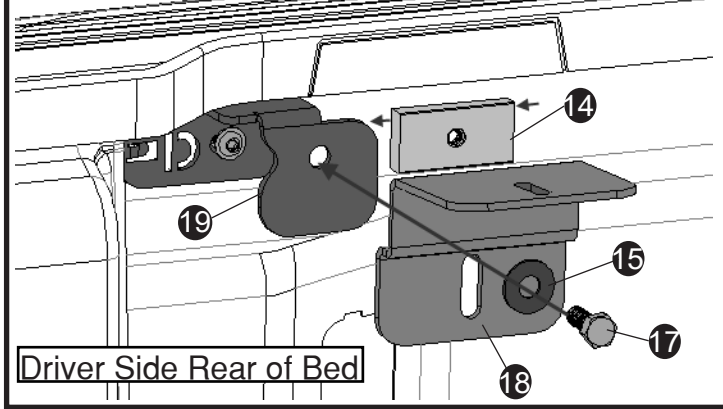
Attention: The following steps will be followed for both driver and passenger side.

- 6** Install Non-Trail rail rear bracket with screw as shown below.

ATTENTION: If needed, clean out threaded holes with a M6 Tap in pickup bed before installing bolts.

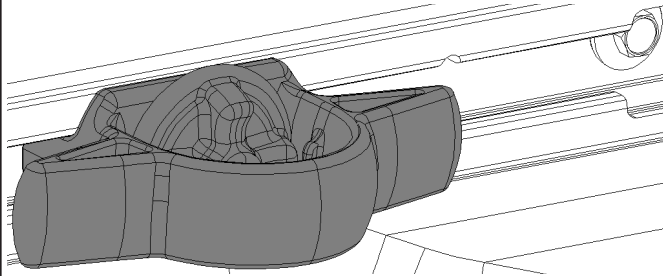


- 7** Assemble screw, washer, and bracket as shown and leave loose at this time.

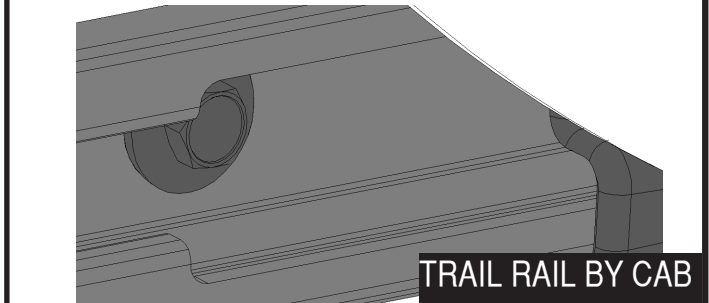


- Follow steps 8 thru 12 to attach rear bracket to a Trail Rail truck box.

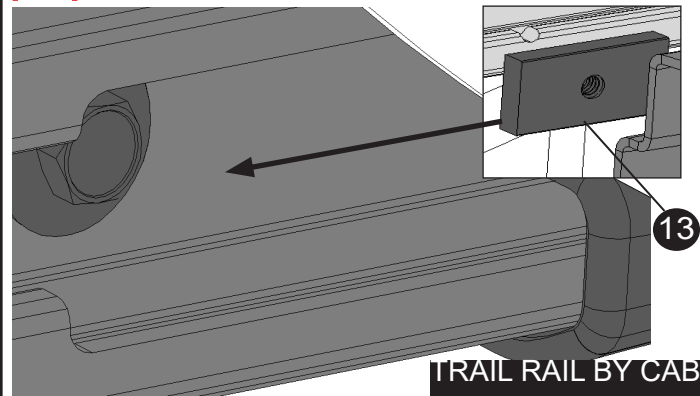
- 8** Loosen both tie down anchors in each Trail Rail, slide them to the front of the cab and remove them from the Rail.



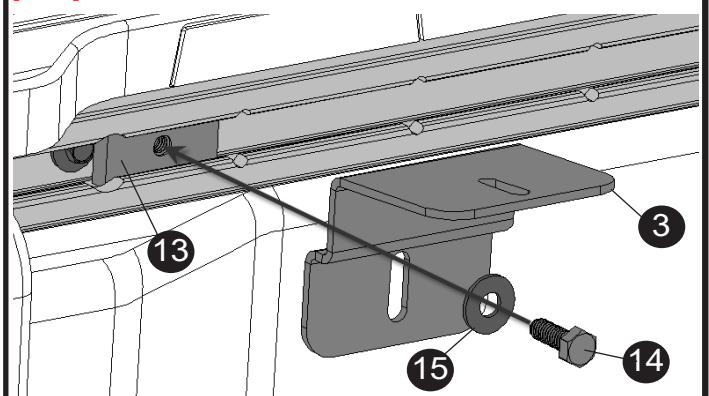
- 9** Tie down anchors will come out of the Trail Rail at location shown below.



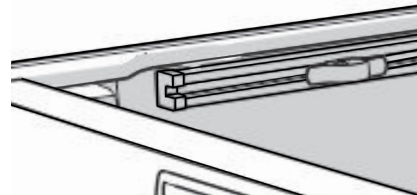
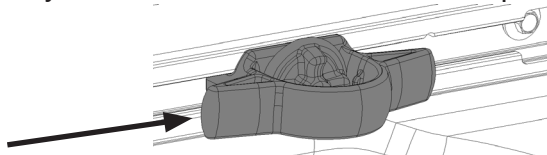
- 10** Insert nut into Trail Rail system and slide nut to the rear of truck.



- 11** Assemble screw, washer, and bracket as shown and leave loose at this time.

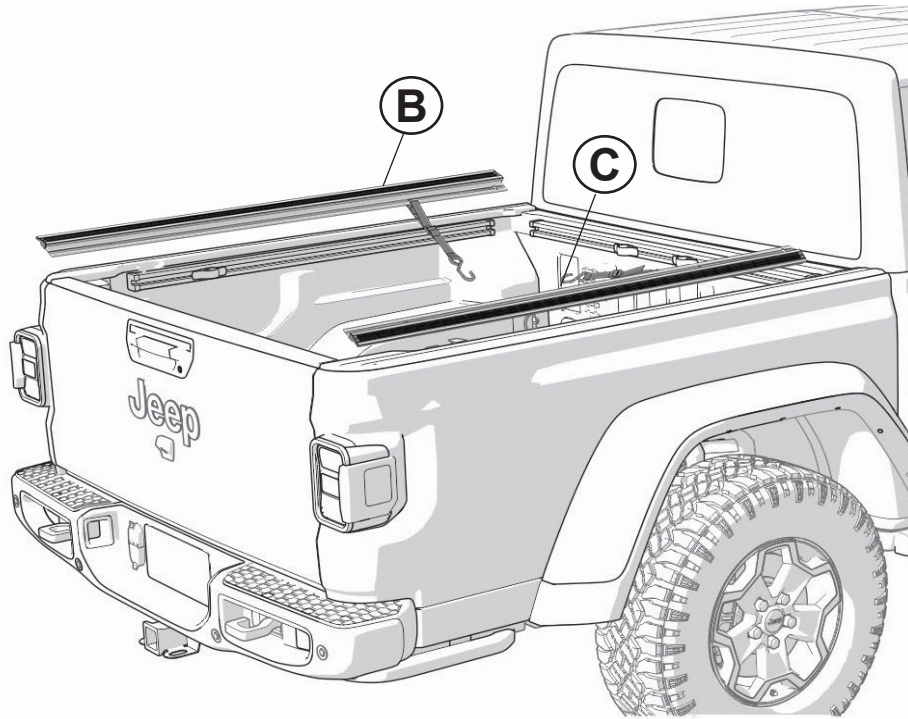
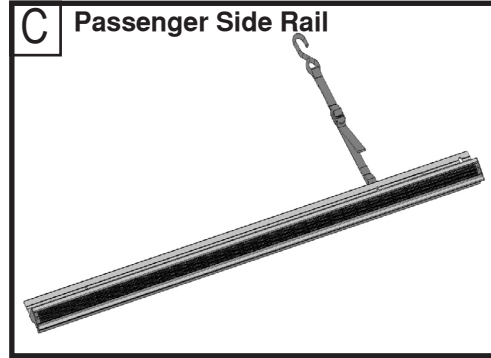
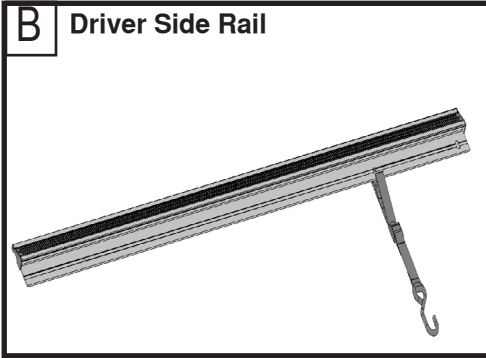
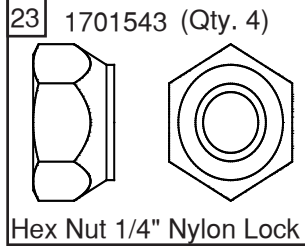
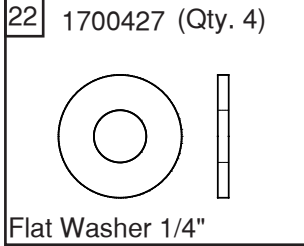
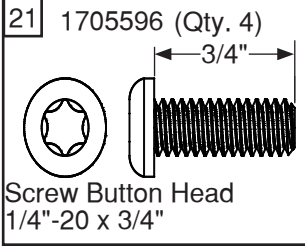


- 12** At this time, reinstall the tie down anchors into the Trail Rail system that were taken out in Step 8.

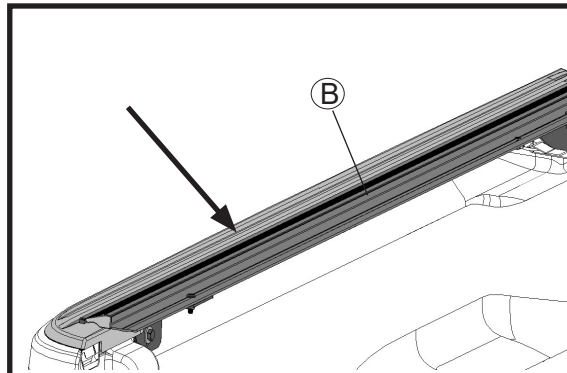


SIDE RAILS AND HARDWARE NEEDED FOR TRAIL RAIL AND NON-TRAIL RAIL TRUCK BEDS

Side Rail Attachment Hardware, Use Hardware Bag 1118540

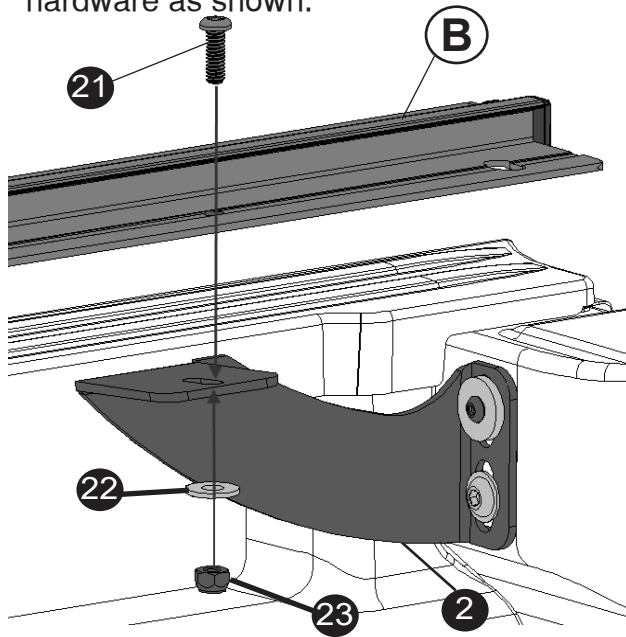


Attention: After proper alignment the outer edge of the side rail will sit on top of the truck bed rail.

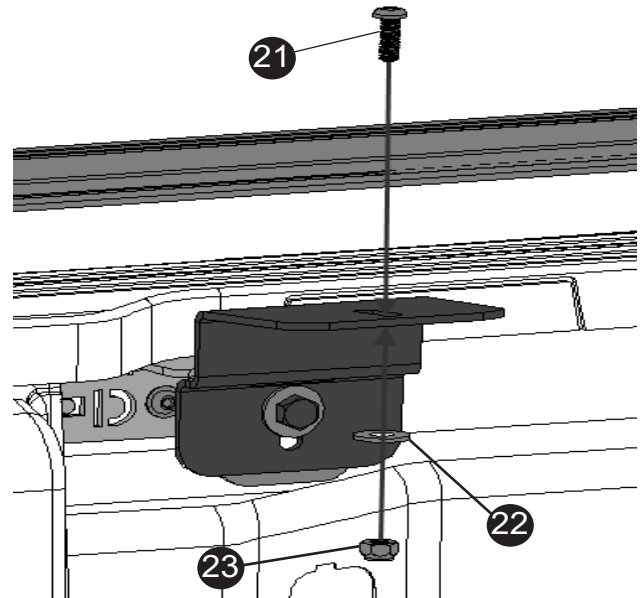


INSTALLING SIDE RAILS FOR BOTH THE TRAIL RAIL AND NON-TRAIL RAIL TRUCK BEDS

- 13** Locate the Mounting hole in rail at the front. Proceed by lining up that hole with the slot in the front bracket from step 5 and assemble hardware as shown.

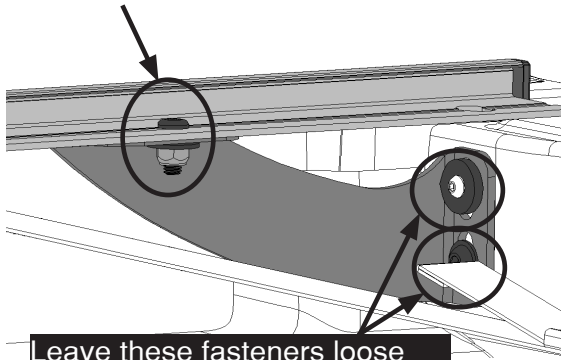


- 14** Locate the Mounting hole in rail at the rear. Proceed by lining up the mounting hole with the slot in rear bracket from step 4 and assemble hardware as shown.



- 15** For proper side rail fit to the truck box, apply downward pressure on the rail and pull the rail towards the outside of the bed while tightening the screw. This will assure the rail is positioned correctly.

Tighten this screw



Leave these fasteners loose

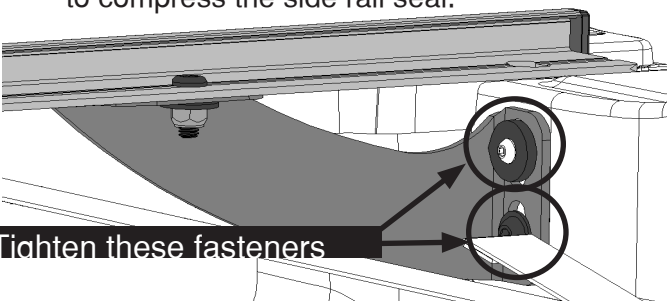
- 16** Apply downward pressure on the rail and pull towards the outside of the bed while tightening the screw to hold rail down on the bracket.

Tighten this screw



Leave this screw loose

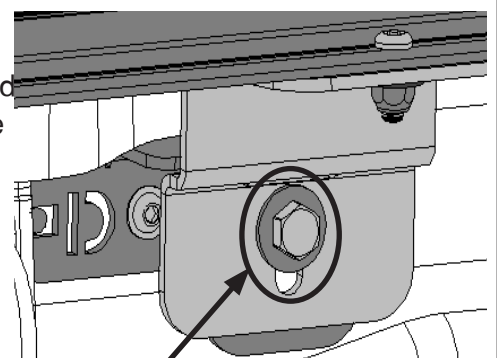
- 17** While tightening the two front fasteners securing the bracket to the bulkhead, apply downward pressure on the rail and the bracket to compress the side rail seal.



Tighten these fasteners

- 18** Apply downward pressure on the rail and the bracket, to compress the rail seal, then tighten the rear fasteners.

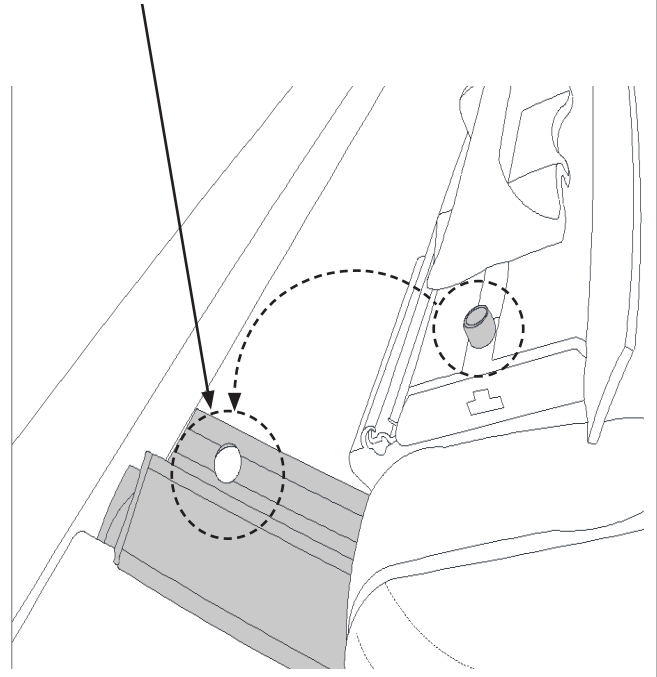
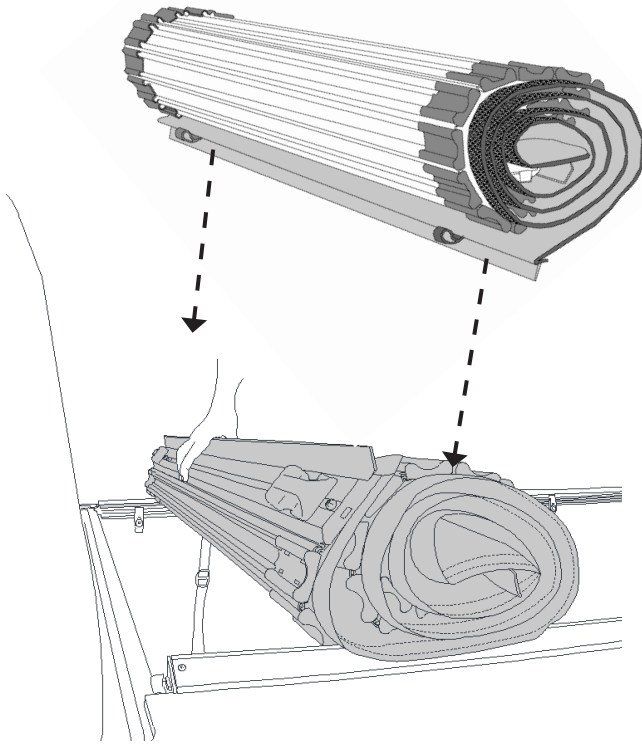
Tighten this screw



INSTALLING COVER ASSEMBLY:

- 19** Position the cover assembly roll behind the truck's cab. Roll the front header over and align the screw heads into the oblong holes that are located in the side rails as shown.

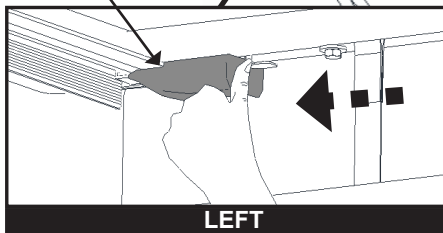
Attention: The rail may need to be forced upward slightly to allow the screw head to drop in the slot.



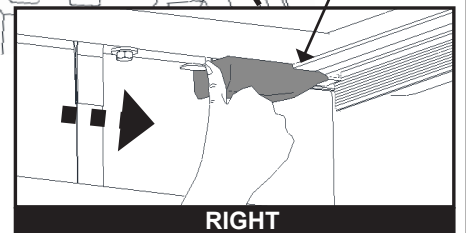
20

Attention: The rail may need to be forced upward slightly to allow the header guides to slide.

Attention: The rail may need to be forced upward slightly to allow the header guides to slide.



Secure rolled cover to side rails. Slide header guides under the rail until **CLICK** is sounded.

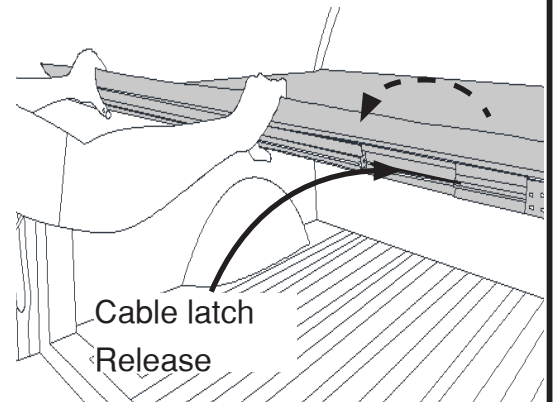


CLOSING THE COVER:

- 21** Unroll cover to the tailgate.

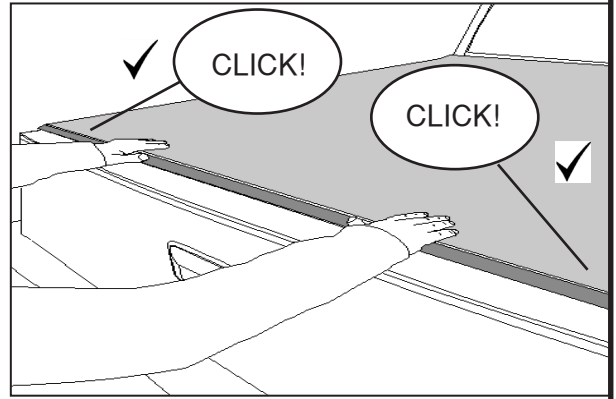
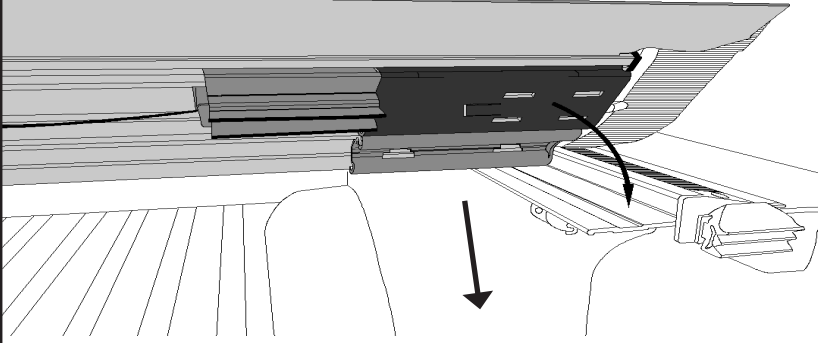
CAUTION
PINCH POINTS
CAN CAUSE SERIOUS
PERSONAL INJURY

CAUTION HIGH TEMPERATURE
IN BRIGHT SUN AND OR HEAT



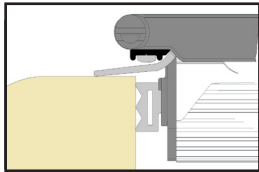
CLOSING THE COVER CONT:

22 Latch Both Sides.

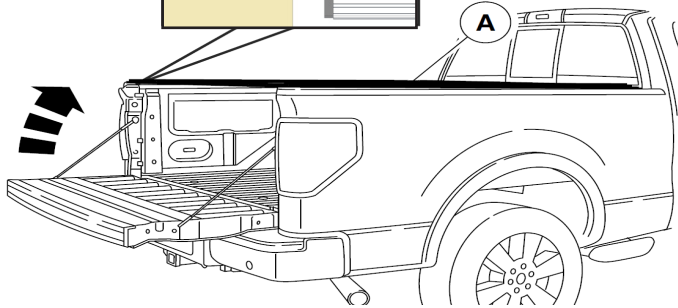


23 PREFERRED METHOD OF CLOSURE: Close tailgate, then close cover on top of tailgate. This method will not work with some truck applications. Use alternate method instead.

ALTERNATIVE METHOD OF CLOSING COVER: Close and latch cover, then close tailgate with the seal to the inside of the tailgate. Some care will need to be taken to train seal to be closed on the inside.



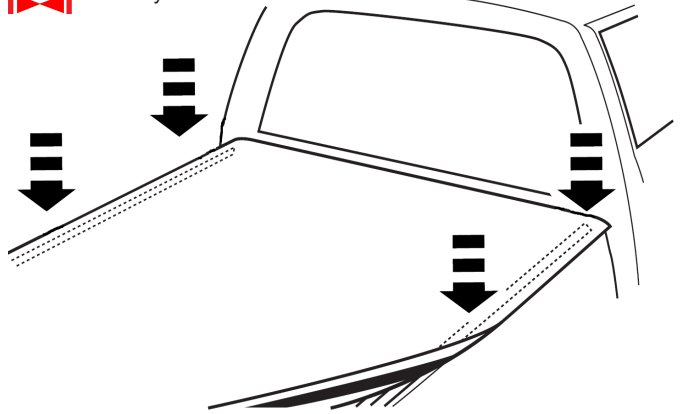
NOTE: If you have a key lock tailgate, truck bed cover is secured until tailgate is unlocked and opened.



Make sure cover is securely latched on both sides before operating vehicle.

SETTING HOOK AND LOOP FASTENER:

24 Secure Hook and Loop down both sides along entire length of cover system.



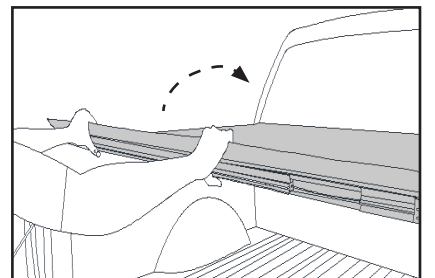
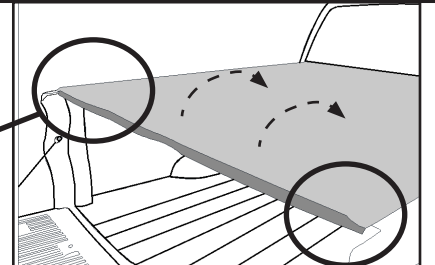
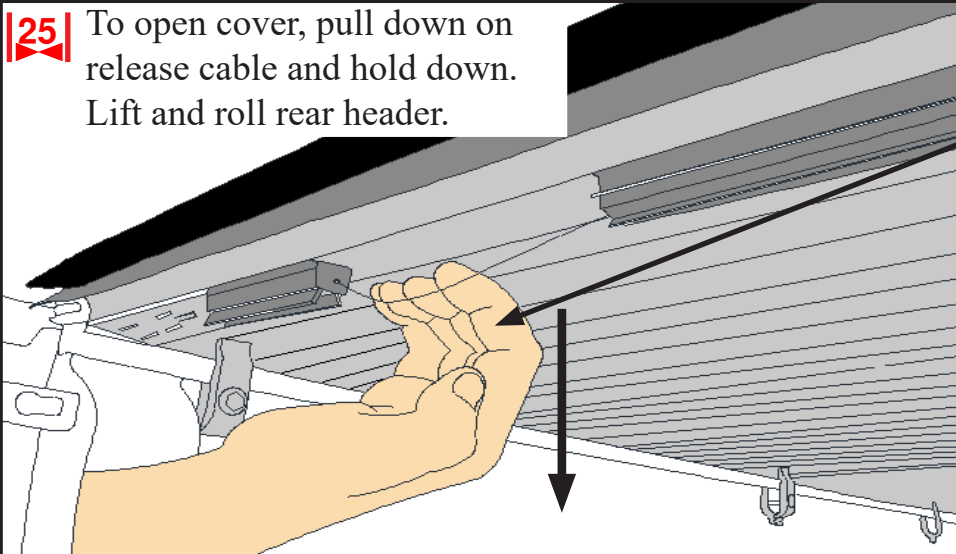
NOTE: Secure hook fastener and loop fastener along entire length of both side rails before driving vehicle. This will prevent wind lifting the cover and causing damage.

ATTENTION!

After the initial installation leave cover closed and latched for a 24 hour period. This will ensure that the fabric has taken a complete set to the metal substrate.

OPENING THE COVER:

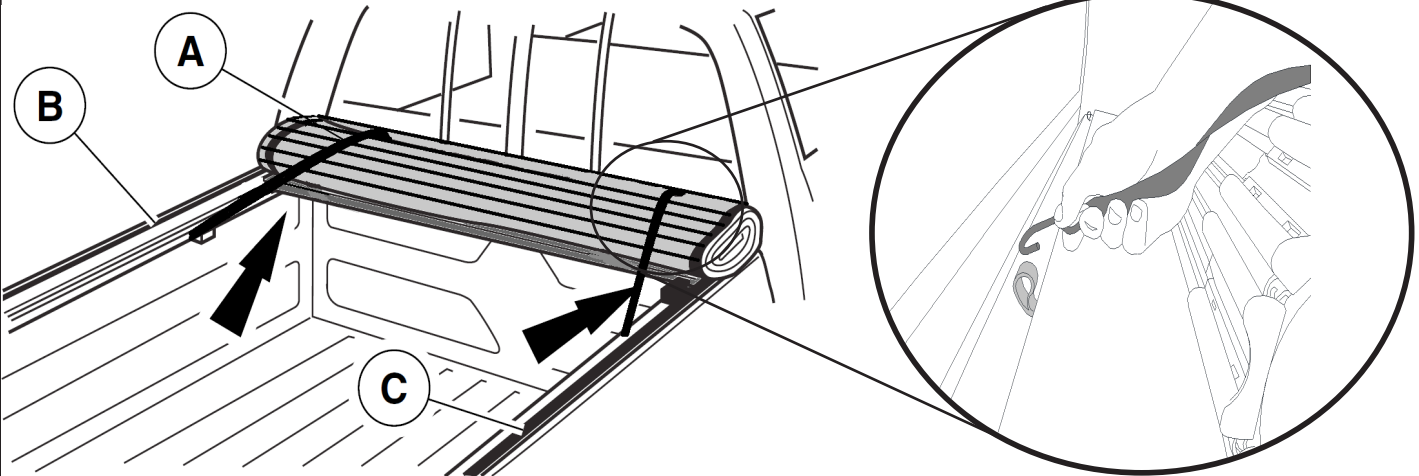
25 To open cover, pull down on release cable and hold down. Lift and roll rear header.



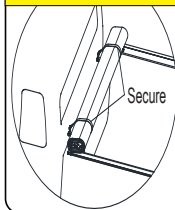
26

CAUTION

ROLL COVER TIGHT. SECURE THE COVER APPROPRIATELY USING BOTH RETAINER STRAPS. **DO NOT** OVERTIGHTEN. **DO NOT** STOW COVER AGAINST CAB WINDOW.

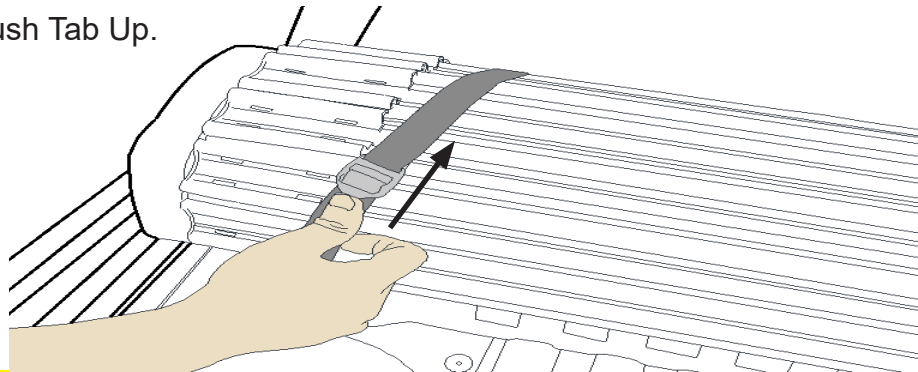


CAUTION



Before driving with cover open, **BOTH STRAPS MUST BE SECURED TO RETAINING LOOPS.** Failure to do so could cause accidental release of the cover, resulting in personal injury or property damage.

27 To Release Strap Push Tab Up.



NOTICE: Ice buildup within hinge section can occur if cover is stowed in open position. To prevent potential damage, close cover during winter precipitation.

COVER MAINTENANCE

1. Cover surface can be hand washed with mild soap and water or cleaned in a car wash. Thoroughly rinse cover to remove any soap residue. **Never use vinyl conditioners that contain silicon, petroleum, or citrus based products on your truck bed cover as they may crack and shrink the vinyl top surface.**
2. The use of a power washer directed at the covers top surface from a few inches away will damage the surface. The nozzle end of a power washer should be held at a minimum of 3 feet away from the top surface.
3. It is recommended that you periodically check that the cover is securely attached to your truck bed. Inspect the clamps and front header guide slides to ensure they were properly installed and have not come loose during operation.
4. It is recommended that you periodically inspect and service the rear latch closures. Clean away any excess dirt or grime and lubricate with silicone spray. Ensure the latches move freely in and out to properly engage the side rail and provide performance with optimal security. Be careful not to overspray the cover.

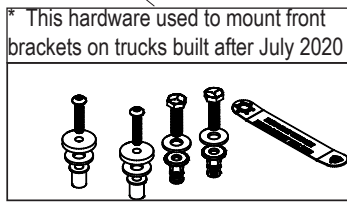
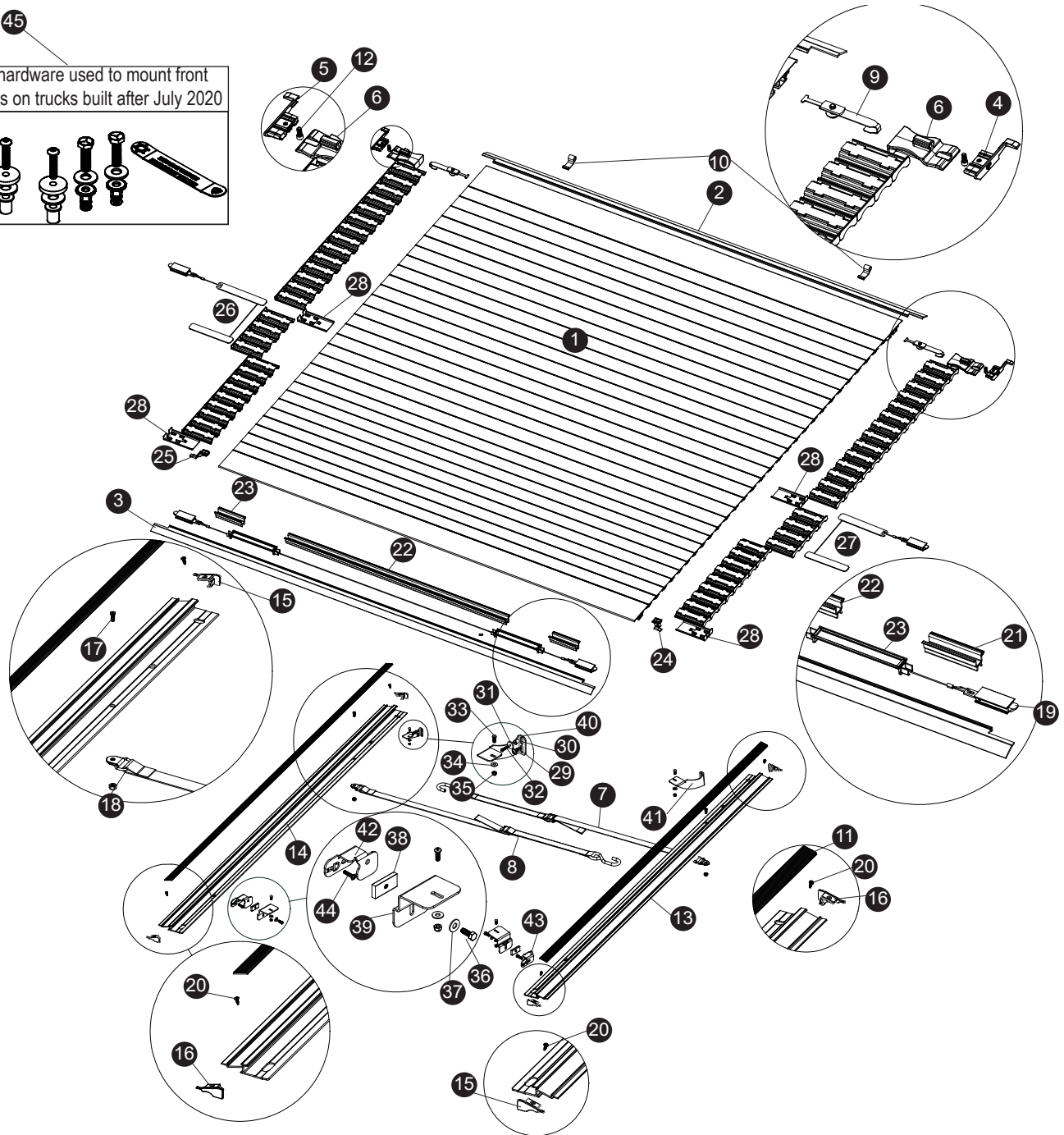
Questions?

Call our friendly customer service staff
Toll Free at:

1-877-878-9336
Mon - Fri 8 am - 5 pm CST

WITHOUT TRAIL RAIL SYSTEM

45
 * This hardware used to mount front brackets on trucks built after July 2020

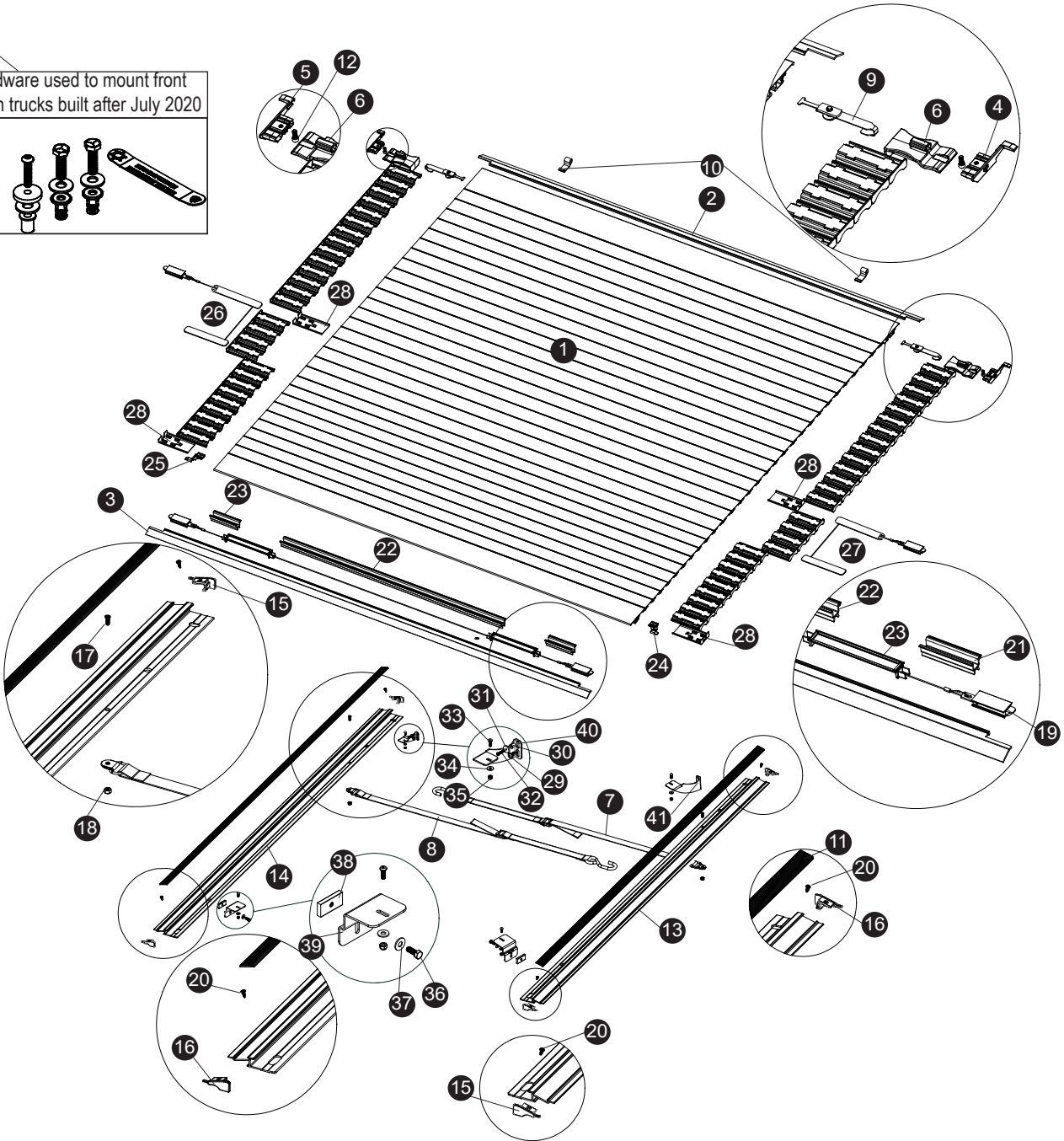
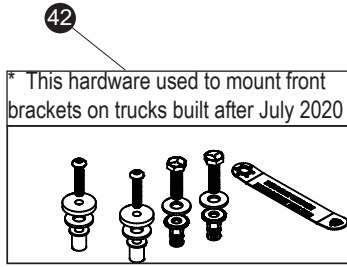



REPLACEMENT PARTS WITHOUT TRAIL RAIL

1	*	Replacement Cover	15	1706245	SIDE RAIL ENDPLUG RH	30	1706279	Well Nut 10-32
2	*	Header Seal, Front	16	1706246	SIDE RAIL END PLUG LH	31	1706347	Flat Washer
3	*	Header Seal, Rear	17	1705415	Cap Screw 10-24 X 1/2	32	1706278	Cap Screw Button Head 10-32 X 1
4	1705828	Front Header End Plug (Passenger)	18	1703762	Hex Nut 10-24	33	1705596	Button Head Screw 1/4-20
5	1705829	Front Header End Plug (Driver)	19	*	Latch System	34	1700427	Flat Washer 1/4"
6	1704707	Header Guide	20	1705629	Self Drill Screw 6-20 X 3/8	35	1701543	Nylon Lock Nut 1/4-20
7	1117892	Retainer Hook Strap (Passenger)	21	1118225	Cable Cover 3.75"	36	1705954	Cap Screw Hex Head 5/16-18 X 7/8"
8	1117893	Retainer Hook Strap (Driver)	22	*	Cable Cover	37	1700428	Flat Washer 5/16"
9	1117594	Header Guide Retainer	23	1115822	Cable Guard	38	1705880	5/16" Rail System Nut
10	1705806	Extruded Retainer Loop	24	1705826	Rear Header End Plug (Passenger)	39	1706275	Driver/Passenger Rear Bracket
11	*	Hook and Loop Fasteners	25	1705825	Rear Header End Plug (Driver)	40	1706273	Driver Front Bracket
12	1704689	Machine Screw 1/4-20 X 9/16	26	*	Driver Security Latch Assy	41	1706274	Passenger Front Bracket
13	*	Side Rail, Passenger's Side	27	*	Passenger Security Latch Assy	42	1706339	Driver Rear Bracket Without Trail Rail
14	*	Side Rail, Driver's Side	28	1705929	Latch Cover	43	1706340	Passenger Rear Bracket Without Trail Rail
			29	1706277	Cap Screw Button Head M8	44	1706342	Flanged Button Head M6
						45	1706541	Hardware Bag_Cab Mounting Bracket

* Please specify length or make and model of vehicle.

WITH TRAIL RAIL SYSTEM



REPLACEMENT PARTS WITH TRAIL RAIL

1	*	Replacement Cover	14	*	Side Rail, Driver's Side	27	*	Passenger Security Latch Assy
2	*	Header Seal, Front	15	1706245	SIDE RAIL ENDPUG RH	28	1705929	Latch Cover
3	*	Header Seal, Rear	16	1706246	SIDE RAIL END PLUG LH	29	1706277	Cap Screw Button Head M8
4	1705828	Front Header End Plug (Passenger)	17	1705415	Cap Screw 10-24 X 1/2	30	1706279	Well Nut 10-32
5	1705829	Front Header End Plug (Driver)	18	1703762	Hex Nut 10-24	31	1706347	Flat Washer
6	1704707	Header Guide	19	*	Latch System	32	1706278	Cap Screw Button Head 10-32 X 1
7	1117892	Retainer Hook Strap (Passenger)	20	1705629	Self Drill Screw 6-20 X 3/8	33	1705596	Button Head Screw 1/4-20
8	1117893	Retainer Hook Strap (Driver)	21	1118225	Cable Cover 3.75"	34	1700427	Flat Washer 1/4"
9	1117594	Header Guide Retainer	22	*	Cable Cover	35	1701543	Nylon Lock Nut 1/4-20
10	1705806	Extruded Retainer Loop	23	1115822	Cable Guard	36	1705954	Cap Screw Hex Head 5/16-18 X 7/8"
11	*	Hook and Loop Fasteners	24	1705826	Rear Header End Plug (Passenger)	37	1700428	Flat Washer 5/16"
12	1704689	Machine Screw 1/4-20 X 9/16	25	1705825	Rear Header End Plug (Driver)	38	1705880	5/16" Rail System Nut
13	*	Side Rail, Passenger's Side	26	*	Driver Security Latch Assy	39	1706275	Driver/Passenger Rear Bracket
						40	1706273	Driver Front Bracket
						41	1706274	Passenger Front Bracket
						42	1706541	Hardware Bag_Cab Mounting Bracket

* Please specify length or make and model of vehicle.

OWNER/USER RESPONSIBILITIES:

It is the responsibility of the owner/user to read this manual and comply with the operating procedures. The owner/user is also responsible for inspecting the Sentry/ Sentry CT cover and for having parts repaired or replaced when worn or damaged. Failure to follow safety instructions and warning labels could result in failure of your cover system and/or personal injury.

SAFETY INSTRUCTIONS:

1. Do not place objects on or against cover or framework.
2. Do not tie cargo to truck bed cover framework.
3. Never allow children or pets to occupy pickup box while cover is closed.
4. Cover is not airtight. Special care is required to keep cargo clean and dry.
5. Fabric cover won't prevent theft of contents inside truck box.
6. Cover must be rolled fully open and secured with retainer straps when towing vehicle backwards.
7. DO NOT stow rolled cover against cab window.
8. DO NOT attempt to drive with cover in the partially open position!
9. A fully rolled open cover must always be secured with retainer straps.
10. DO NOT operate vehicle with objects on top of the cover.

ADDITIONAL IMPORTANT SAFETY TIPS



CAUTION HIGH TEMPERATURE

TOP SURFACE AND BOTTOM SURFACE CAN BECOME EXTREMELY HOT TO TOUCH WHEN EXPOSED TO BRIGHT SUN AND OR HEAT.
NEVER ALLOW CHILDREN OR PETS TO SIT ON COVER WHEN CLOSED OR ROLLED TO THE CAB.



CAUTION

ROLL COVER TIGHT. SECURE THE COVER APPROPRIATELY USING BOTH RETAINER STRAPS. **DO NOT** OVERTIGHTEN. **DO NOT** STOW COVER AGAINST CAB WINDOW.

IMPORTANT OPERATING TIPS:

- Truck bed cover must be free of foreign material including snow and ice before rolling cover open or closed.
- It is recommended to operate vehicle with cover rolled closed and latched for optimal fuel economy.
- After closing cover make sure hook and loop on both sides are engaged.
- If side rails are tipping, clamps can be adjusted to level the rails to ensure proper cover header fitment.
- Prolonged cold weather will make cover fabric stiff. Move vehicle with cover unrolled and latched into the sun or indoors to warm the top surface.
- If cover has been stored in a rolled up state for a long period of time it may take a few minutes for the cover to lay flat. The fabric material needs to relax to a flat state, this is normal.
- **DO NOT** roll cover into rear cab window. **DO NOT** stow rolled cover against cab or cab window. Modification of accessories such as bed liners (including spray in liners) may be necessary allowing the truck bed cover side rails to fit properly between the front bulkhead and tailgate of the truck bed.

IMPORTANT OPERATING TIPS CONTINUED:

- When placing the rolled up cover assembly on the side rails and installing it to the side rails (see step 19) the weight of the cover assembly may tilt or flex the rails downward. Simply push up on the rail when securing the header guides to the rail (see step 20).
- After the initial installation leave cover closed and latched for a 24 hour period. This will insure that the fabric has taken a complete set to the metal substrate.

- **INCORRECT METHOD** Of How To Open Cover To The Front.

- Do not slide a partially opened cover across the cover's surface.
- Do not slide cargo across the cover's surface.
- Do not store items on cover's surface.

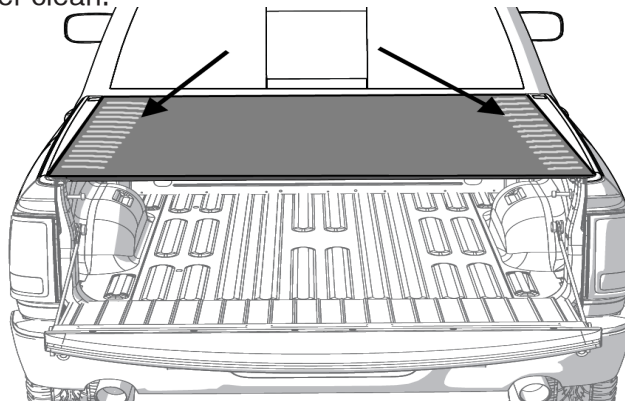


- **CORRECT METHOD** Of How To Open Cover To The Front.



- **After Initial Install**

Cover Tracking Marks: The cover will experience slight tracking marks from dust deposited on the top surface even after the first initial roll out. If there is a heavy deposit of dust, simply use a wet rag to wipe the top surface of the cover clean.

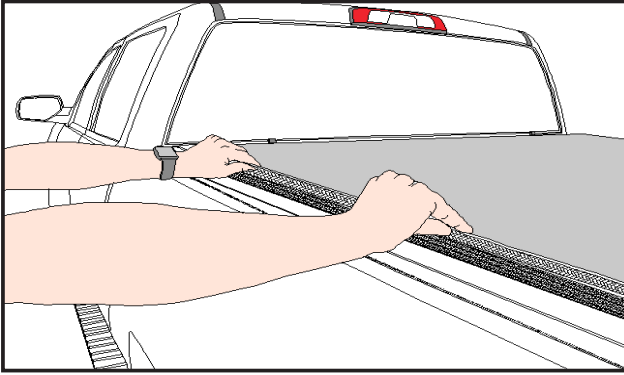


- **Day to Day Use**

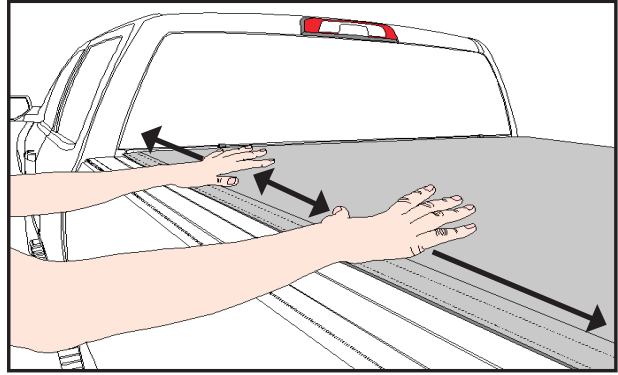
Cover Tracking Mark Prevention: All truck beds will accumulate road dust. This dust will accumulate on the side rails and adhere to the underside of the truck cover. When the truck cover is rolled open, the underside of the cover can deposit dust onto the top surface. To prevent dust-tracking marks, periodically clean the side rail surfaces, rubber slat end caps, and underside surface of the cover to remove dust build up. Plugging air holes and gaps in the truck box construction will also greatly reduce dust intrusion into the truck box. Periodically cleaning the top surface with soap and water will also help prevent dust-tracking marks.

IMPORTANT OPERATING TIPS CONTINUED:

- Setting The Hook and Loop Before Operating Vehicle.



Engaging Hook and Loop, Step One: After rolling the cover closed, grab the fabric loop flap and evenly pull loop over the hook track engaging the loop to the hook track. **Avoid pulling fabric flap straight up.**



Engaging Hook and Loop, Step Two: With the cover closed and both hook and loop engaged, use the palms of your hand to firmly push the loop strip into the hook track. Do this to both driver and passenger side up and down the entire length of the loop seams.

TROUBLESHOOTING

COVER ASSEMBLY WILL NOT ATTACH TO SIDE RAILS DURING INSTALLATION:

1. Check side rails to make sure they are level.
2. The rolled up cover is heavy which may be flexing the rails downward. Push front of rail up slightly to allow the screw head to fall in the slot and the header guide to slide freely into the secured location (review step 20).
3. If rear header doesn't latch correctly check side rail installation.

HEADER WILL NOT LATCH:

1. Check side rails to make sure they are level.
2. Make sure the rear header seal is not caught between side rail & rear header.
3. If rear header doesn't latch correctly check side rail installation.
4. Check to make sure side rails are both equally spaced front to rear.
5. Make sure both latches are functioning properly. Clean any debris that may be impeding latches, see COVER CARE AND MAINTENANCE on page 12.
6. Close tailgate first then cover.

COVER IS HARD TO ROLL OPEN OR CLOSED:

1. Truck bed cover MUST be free of foreign material including snow and ice before rolling cover.
2. Prolong cold weather will make cover fabric stiff. Move cover into sun or indoors to warm the top surface.
3. It is normal for the cover to experience light binding after being rolled up for an extended period of time. Once the cover is latched, the fabric will relax and the cover will lay flat.

SENTRY: 3 YEAR WARRANTY | SENTRY CT: 5 YEAR WARRANTY

TruXedo, Inc. warrants that all new, unused products are free from defects in material and workmanship. This Limited Warranty is effective if the product is properly installed and used for the purpose intended. It applies to the original buyer only. TruXedo's obligation under this Warranty is limited to repairing, or at its option, replacing any part that is returned, transportation prepaid, to TruXedo, Inc., Yankton, South Dakota, if the product is, in our judgment, defective. All materials must be accompanied by an RMA (Returned Material Authorization) number requested by and authorized in advance of returning the materials. TruXedo, Inc. shall not be liable or responsible to supply or pay labor to replace any part found defective, nor shall it be liable for any damages of any kind or nature to person, product, or property.

There are no Warranties for used products or products that have been repaired, altered, modified, subjected to misuse, negligence, accident or ordinary wear and tear. Warranty registration must be on file and/or proof of original purchase (detailed and dated receipt) required for warranty to be valid. Please locate the serial number on your cover before registering the warranty. The serial number can be found on the underside of the front aluminum header bar located on the driver side. Register warranty online at www.truxedo.com

DIRECT ALL WARRANTY CLAIMS TO TRUXEDO AT 1-877-878-9336