



Assembly instructions
iVault Radio Locker
 Part# 14026.2311 I-VAULT 97-02 TJ

Included:	Qty.
Front door	1
Body front	1
Body rear	1
Sliding Tray	1

Sheet metal screws	4
Felt pads	2

Please read all instructions before beginning assembly

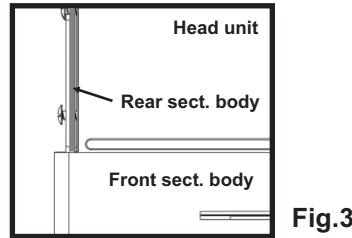
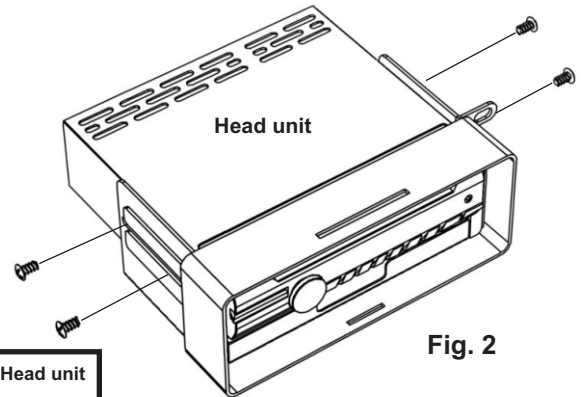
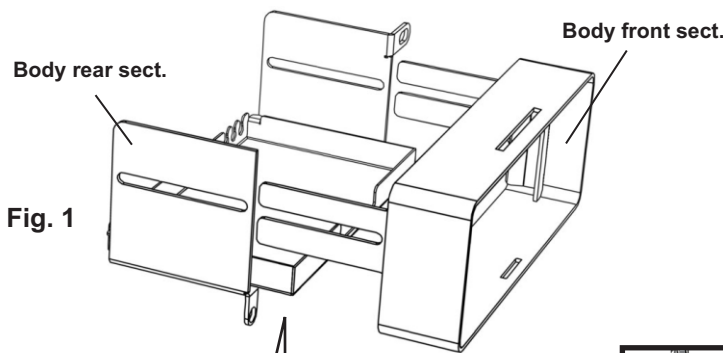
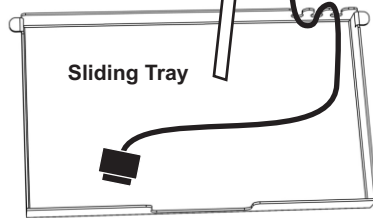


Fig. 1

Fig. 2

Fig. 3



Cord Management

NOTE: Insert the desired cord as shown to keep it from falling out of the drawer and becoming unreachable inside the vehicle dash.

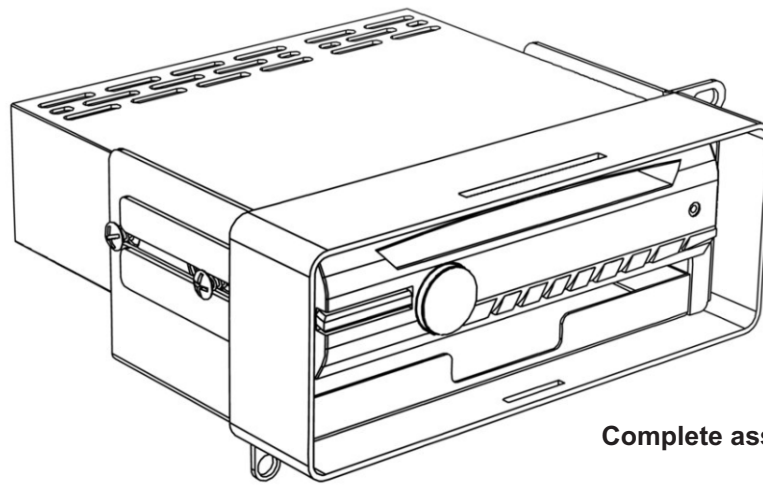
STEP 1

A) Begin by installing the two strips of felt on the underside of the head unit as protection for the items carried in the tray when on rough terrain.

B) Install any cords as desired into the sliding tray and insert it into the assembly. (Fig 1) See "Cord Management" for details.

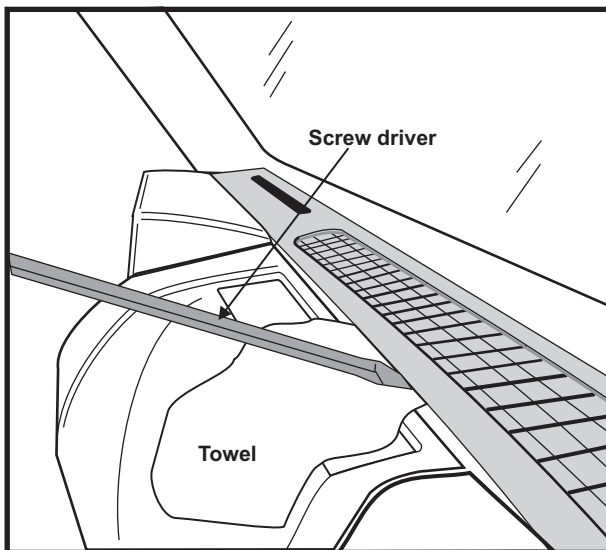
C) Install the front body section onto the rear body section then insert the head unit and use the 4 sheet metal screws to hold the assembly together loosely. **NOTE:** Be sure the bottoms of the front and rear sections are flush.

D) Now adjust the final position of the radio into the assembly and tighten the screws on the sides. Position so it is far enough forward to be easily accessible but not interfere with the face when installed.



Complete assembly

Installation

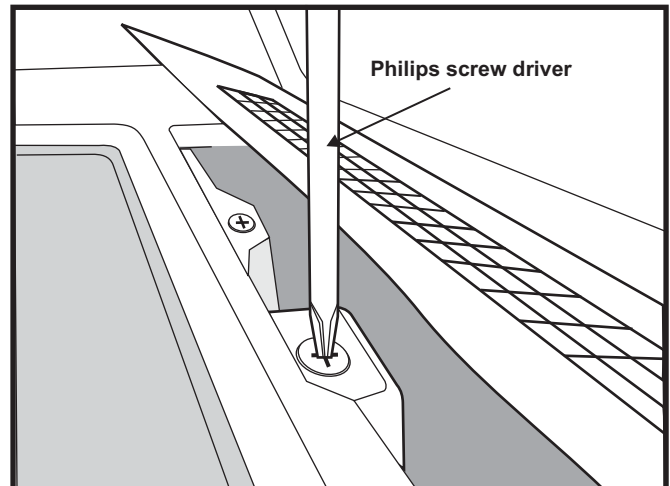


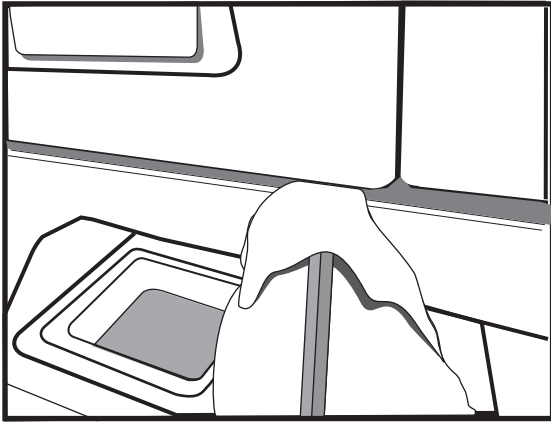
STEP 2

Carefully insert screw driver under edge of dash panel as shown using a towel to protect the surfaces from damage. Pry up the clips across the top of the dash and move the panel out of the way to access the screws for the top of the radio surround.

STEP 3

Use a Philips screw driver to remove the two screws under the dash panel holding the top of the radio surround.



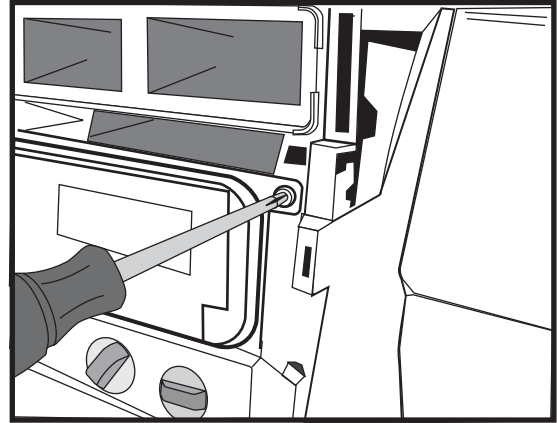


Step 4

Use a flat head screw driver to pry the base of the radio surround loose and remove it. Wrap the screw driver in a towel to protect the surround.

Step 5

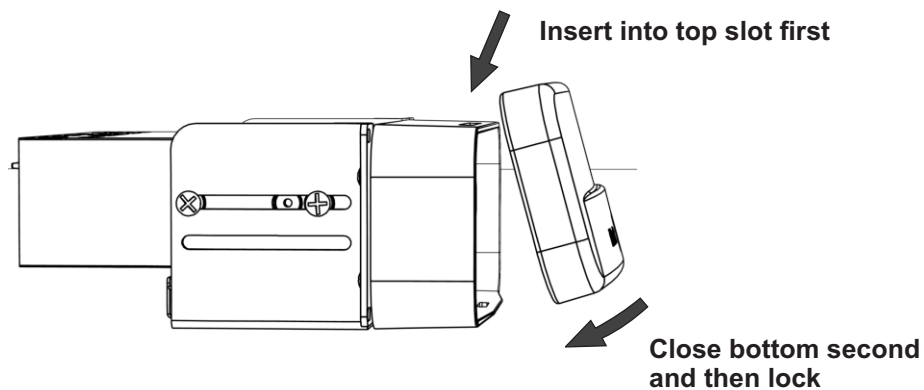
Remove the four screws holding the factory radio in place and remove it. Be careful not to damage the wiring when unplugging the harness.



Step 6

- A) Install the completed radio assembly into the dash using the factory mounting locations and hardware.
NOTE: Follow the radio manufacturers instructions for wiring requirements.
- B) Re-install the radio surround by pressing the clips into the locations on the dash.
- C) Re-install the dash top by pressing the clips into the locations on the dash.

OPERATION



Once face is installed use key to lock in place. Be sure lock is in open position before installing, do not force face assembly in place. If not properly aligned the face may become difficult to lock or remove.



Assembly instructions
iVault Radio Locker
Part# 14026.2311 I-VAULT 97-02 TJ

ADDENDUM

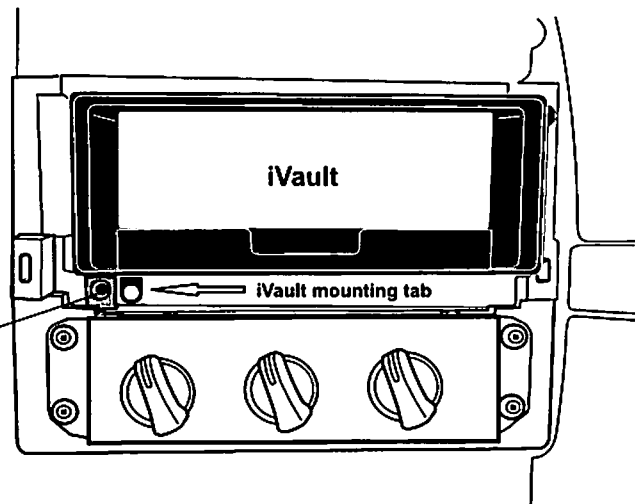
We have identified a potential issue with one of the mounting tab locations on some early Jeep TJ radio mounts. We are providing this addendum to address the issue if it is a problem when installing the iVault in your vehicle.

Due to production variances on the range of vehicles listed, the location of the lower left mounting tab may be off by as much as 3/8" from the tab on the iVault. This can easily be corrected by moving the factory Tinnerman clip to match the tab on the iVault, and then using the factory screw to drill through the plastic to interface the clip at the new location. Please see below for a more detailed explanation.

Potential issue

Mounting tab may not line up correctly.

Factory installed Tinnerman clip



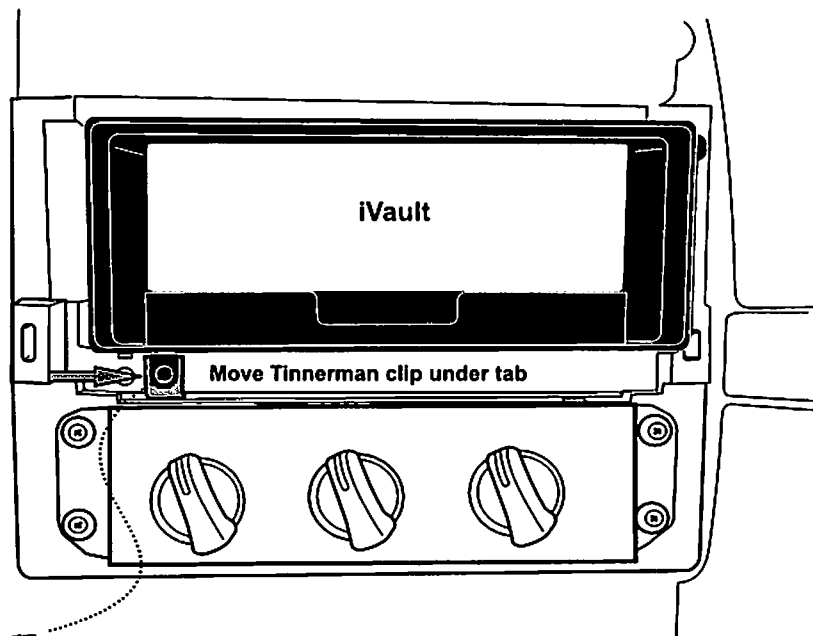
****Shown with plastic dash fascia already removed and without radio in iVault for clarity.**

Correction

Slide Tinnerman to proper location and use factory screw to pierce new mounting hole.

NOTE: Tinnerman will need to be pulled away from plastic initially to disengage tabs on the inside of the clip before it will slide

NOTE: If you choose to, you can use a 5/16" drill and drill body to relocate the hole in the plastic using the iVault as a guide. Do this before moving the clip.



Use factory screw to drill new hole at proper location.

Warranty information

Quadratec, Inc. (the Company) warrants to the original purchaser of this product that should the product or any part thereof, under normal use and conditions, be proven to be defective in material or workmanship within 6 MONTHS from the original date of purchase, such defect (s) will be repaired or replaced or credited at the Companies sole option.

To obtain repair or replacement within the terms of this Warranty, this product is to be delivered with proof of warranty coverage (e.g. Dated bill of sale), specification of defect (s) to the place of purchase or, with prior approval from the Company (Return Authorization is required), freight pre-paid to the Company address listed below.

This warranty does not apply to any product or part thereof which, in the opinion of the Company, has suffered or been damaged through alteration, improper installation, miss-handling, misuse, neglect, accident, or by acts of nature. THE EXTENT OF THE COMPANY'S LIABILITY UNDER THIS WARRANTY IS LIMITED TO THE REPAIR OR REPLACEMENT PROVIDED ABOVE AND, IN NO EVENT, SHALL THE COMPANY'S LIABILITY EXCEED THE PURCHASE PRICE PAID BY PURCHASER FOR THE PRODUCT.

This Warranty is in lieu of all express warranties or liabilities. ANY IMPLIED WARRANTIES, SHALL BE LIMITED TO THE DURATION OF THIS WRITTEN WARRANTY. ANY ACTION FOR BREACH OF WARRANTY HEREUNDER INCLUDING ANY IMPLIED WARRANTY OF MERCHANTABILITY MUST BE BROUGHT WITHIN THE PERIOD OF 6 MONTHS FROM DATE OF ORIGINAL PURCHASE.

IN NO CASE SHALL THE COMPANY BE LIABLE FOR ANY CONSEQUENTIAL OR INCIDENTAL DAMAGES FOR BREACH OF THIS OR ANY OTHER WARRANTY, EXPRESS OR IMPLIED, WHATSOEVER. No person or representative is authorized to assume for the Company any liability other than expressed herein in connection with the sale of this product.

Some States do not allow limitations on how long an implied warranty lasts or the exclusion or limitation of incidental or consequential damage, so the above limitations may not apply to you. This warranty gives you specific legal rights and you may also have other rights, which vary from state to state.

Quadratec, Inc.
1028 Saunders Lane
West Chester PA 19380