

Header Installation For 2007-2008 Jeep Wrangler



Precision manufactured using high quality austenitic stainless steel; this system is designed to endure years of heavy use. Installing a Borla Performance Exhaust System on your vehicle will eliminate the restrictive design of the stock exhaust, allowing your engine to discharge exhaust gas easier. The result is more horsepower and torque, longer engine life, and a distinctive throaty growl- all this, with easy bolt-on installation. These installation instructions have been written to help you in the installation of your Borla Performance Exhaust System. Please read it completely before installing your system.

FOR RACING USE ONLY. NOT LEGAL FOR USE ON PUBLIC ROADS.

Thank you for purchasing a Borla Performance Stainless Steel Long Tube Header System.

Borla Performance Stainless Header System (Part number 17251) has been designed for the 2007-2008 Jeep Wrangler equipped with a 3.8L V6 engine, two or four-wheel drive and automatic or manual transmissions.

Borla Performance Industries recommends that an exhaust shop or professional after market parts installer, who has all the necessary equipment, tools and experienced personnel needed for proper installation, should perform the installation of this system. However, if you decide to perform the installation, we recommend someone should help you. Ensure the installer uses all under car safety precautions including eye protection.

Please take time to read and understand the following...

By installing your Borla Performance Exhaust System, you indicate that you have read this document and you agree with the terms stated below.

It is the responsibility of the purchaser to follow all installation instruction guidelines and safety procedures supplied with your Borla Performance Exhaust System

Borla Performance Industries assumes no responsibility for damages occurring from misuse, abuse, improper installation, improper operation, lack of responsible care, or all previously stated reasons resulting from incompatibility with other manufacturer's products and/or systems.

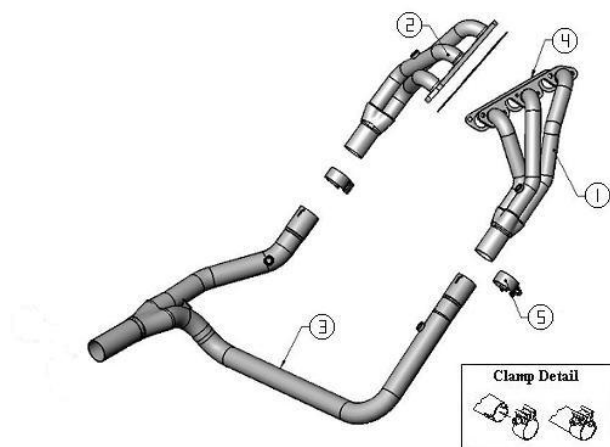
Included with your Borla Performance Exhaust System is a warranty card. Please read it carefully before you begin any work on your vehicle. If you should have any questions regarding our warranty policy, installation, or any other matter pertaining to your new Borla Performance Exhaust System, please give us a call at the number provided on the warranty card.

Minimum Required Tool List:**TOOLS:**

- 1 3/8" Drive Ratchet
- 2 3/8" Drive Extension 3"
- 3 15mm Socket
- 4 18mm Socket
- 5 16mm Socket
- 6 10mm Socket
- 7 7/8" Combination Wrench

SHOP SUPPLIES:

- 1 Spray Lubricant

Borla Performance Cat-Back™ Bill of Materials

1. R/H header assembly
2. L/H header assembly
3. Y-pipe assembly
4. Gasket (qty 2)
5. Clamp 2.25" (qty 2)

Caution!!! Never work on a hot exhaust system. Serious injury in the form of burns can result If the vehicle has been in use and the exhaust system is hot, allow vehicle to cool for at least 1 hour. Always wear eye protection when working under any vehicle.

Note: It is our recommendation that you use a hoist or hydraulic lift to facilitate the installation of your new Borla Performance Cat-Back™ Exhaust System.

Taking all under car safety precautions, lift the vehicle using a hoist or hydraulic lift. Once this has been done, you may begin the removal of your old exhaust system from your vehicle.

Note: Before removing the original exhaust system from your vehicle, please compare the parts you have received with the bill of materials provided on the previous page to assure that you have all the parts necessary for the installation of your new Borla Performance Cat-Back™ Exhaust System.

Original Exhaust System Removal

Note: With a used vehicle, we suggest a penetrating spray lubricant to be applied liberally to all exhaust fasteners and allowing a significant period of time for the chemical to lubricate the threads before attempting to disassemble.

1. Disconnect the battery from the vehicle.
2. Remove the spark plug wires from spark plugs.
3. For an easier removal of the factory manifolds, remove the left and right front fender flares as shown in figure 1.
4. Beginning with the left (driver) side, unbolt and remove the heat shield from the manifold as shown in figure 2.
5. Remove the Oxygen sensor from the exhaust manifold.
6. Unbolt the bottom and top flange and then remove the exhaust manifold from the vehicle as shown in figure 3. Place the head flange hardware to the side for use during the installation of your new long tube header exhaust system.
7. Repeat steps 4-6 for the removal of the right (passenger) side exhaust manifold.
8. Carefully lift vehicle.
9. Unbolt the upper control arm from frame and move to the side as shown in figure 4.
10. Remove front and rear skid plates from vehicle as shown in figure 5.
11. Using a support stand, support the transfer case and remove the transmission cross member from the vehicle as shown in figure 6.
12. Remove the Oxygen sensors from y-pipe assembly.



Figure 1



Figure 2



Figure 3



Figure 4

Original Exhaust System Removal (continued)

13. Loosen the clamp on the y-pipe and carefully remove the y-pipe assembly from the vehicle as shown in figure 7.

Warning: Use extreme caution during installation. Torque all fasteners according to manufacturer's torque values and tightening sequence. **DO NOT** use air impact tools to tighten fasteners on Borla Performance Exhaust Systems. Use of such tools may result in bent flanges or gasket contact areas leading to exhaust leaks.

Borla Performance Stainless Steel Long Tube Header Installation

1. Install the transmission cross member opposite of removal and remove the support stand from the transfer case.
2. Install upper control arm opposite of removal.
3. Place a clamp over each expanded end of the y-pipe assembly and set it into position as shown in figure 8. **DO NOT** tighten the clamps.
4. Using the original hardware and the supplied gasket, place the right (passenger) side header into position as shown in figure 9. Tighten the bolts to 13-23 ft. lbs.
5. Repeat step 4 for the left (driver) side header.
6. Install the Oxygen sensors into the bungs of your new y-pipe assembly.
7. Once position has been determined to be correct, tighten the Accuseal™ clamps to 32-35 ft. lbs. making sure the clamps openings are not over any of the notches in the pipes.
8. Install the front and rear skid plates opposite of removal.
9. Carefully lower vehicle.
10. Install the Oxygen sensors into the bungs of the left and right side header as shown in figure 10.
11. Install the left and right front fender flares opposite of removal.



Figure 5



Figure 6



Figure 7



Figure 8

Borla Performance Stainless Steel Long Tube Header Installation (continued)

12. Connect spark plug wires to the spark plugs and reconnect the battery.
13. Before starting your vehicle, make sure to check all wires, hoses, brake lines, body parts and tires for safe clearance from the exhaust system.
14. Start the vehicle and allow the headers to reach normal operating temperatures. Allow headers to cool and then re-torque all hardware.

Note: When you first start your vehicle after the installation of your new Borla Performance Exhaust System, there may be some smoke and fumes coming from the system. This is a protective oil based coating used in the manufacturing of mandrel bent performance exhaust tubing. This is not a problem and will disappear within a very short period of time after the exhaust has reached normal operating temperatures.



Figure 9

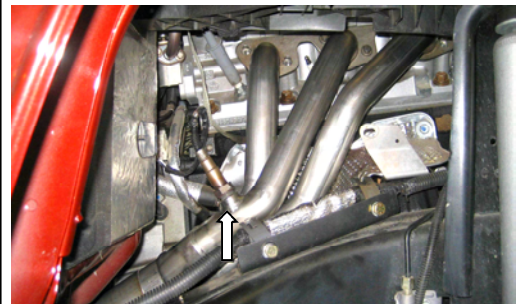


Figure 10