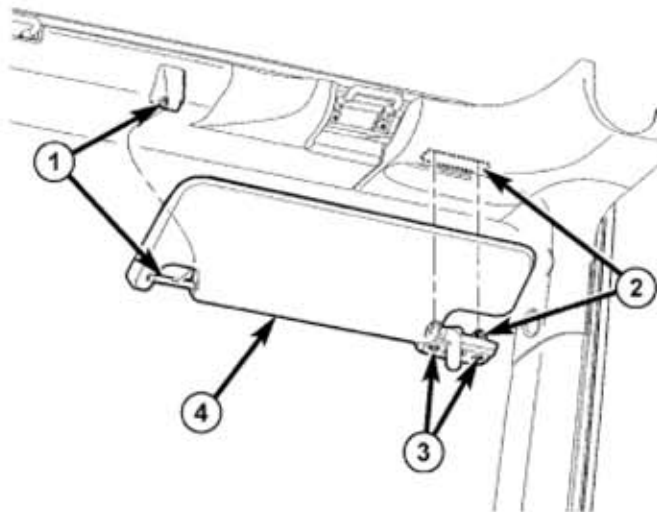


GENERAL NOTES:

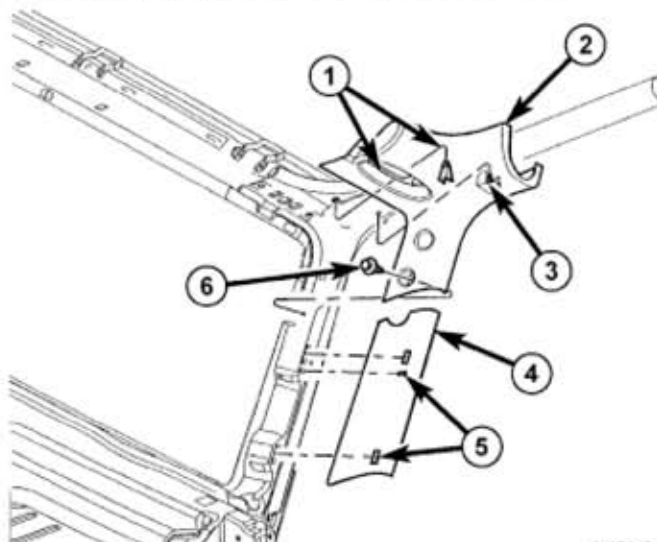
- It is helpful when installing the grab handles to remove the front hard top section or to fold back the front soft top section.
- The grab handle kit is a bolt on installation but you do have to trim some of plastic interior trim. A dremel type tool or straight air grinder with a drum sander works well for this.

1. Remove the two vertical screws (3) that attach the windshield visors(4)



8197609

2. Remove the A-pillar trim (2). Remove the push pin fastener (6) by unscrewing the center with a phillips head screw driver, then pull the push pin out. Pull the retaining clip (3) using a trim stick or equivalent.



81976e74

3. Remove the side bar padding cover.
4. Remove the lower side bar bracket bolt in the windshield



5. Test fit the grab handle to this hole using the factory bolt. The angle bracket end of the grab handle attaches to the windshield and the flat end attaches to the windshield support bar with the J hook just in front of the hole for the soft top door surround. You will have to trim the windshield support bar padding to clear the handle and J hook.



6. You will need to install the grab handle thru the opening in the side bar padding for the soft top door surround. Remove the grab handle and install the side bar padding cover, do not zip the cover until you tighten the grab handle. Torque each bolt to 14 ft-lbs and zip up the padding cover around the grab handle and J hook.



7. Notch the A pillar trim to clear the bottom of the grab handle and install as shown.



8. Re-install the A-pillar trim and sun visors