



**KJ09126 1997-2006 Jeep TJ/LJ Rock Krusher
3" Coil Spring Spacer Lift Kit
DO NOT COMBINE WITH ANY OTHER SUSPENSION KIT**

www.DaystarWeb.com
Tech Support Contact Info
Tech@DaystarWeb.com
Phone: 623.907.0081
Fax: 623.907.0088
841 South 71st Avenue
Phoenix, AZ 85043

Tools required	
Description:	Qty.
Standard Hand Tools	1
Wrench Set & Socket Set	1
Coil Spring Compressor	1
Drill + 5/16-11/32 Bit	1
Floor Jacks / Jack Stands	2 per

Bill of Materials		
Part No.	Description	Qty.
M03606	PU,COIL SPRING SPACER	2
M03520	PU,BUMP STOP W/BOLT INSERT	4
M02878	PU,COIL SPRING SPACER	2
S10922	BRACKET, TRACKBAR, REAR	1
BJ09126-B	BAG KIT,SUSP LIFT, 3",JEEPTJ	1
BJ09126-A	BAG KIT,SUSP LIFT, 3",JEEPTJ (TRANSFERCASE DROP HARDWARE)	1



Step(s)

TRANSFER CASE DROP INSTRUCTIONS

- Place a floor jack under the transfer case cover. Remove all bolts from one side of the cover, lower the jack and put supplied polyurethane spacers and steel sleeves between the cover and the frame. (supplied are 1/2-13 for 1997-2003 TJs and M12X1.75 bolts for 2004-newer jeeps)

LIFT INSTRUCTIONS

- Layout all parts and check quantities against the Bill of Materials. Completely read instructions before beginning installation.
- Make sure you are working on a level, stable concrete surface or using a lift to perform this work.
- Either using a lift or floor jacks, lift the front of the jeep to full droop (where wheels are just off the ground). If a floor jack is used, transfer the vehicle to jack stands. Pull front wheels.
- Place two floor jacks under the front axle and load (lift) the suspension 2".
- Pull shocks off, disconnect sway bar end links and unbolt the track bar. (Fig. 2, 3)
- Lower the suspension to full droop again.



Instruction Sheet P10862-00

© 2008 Daystar Products International Inc.



KJ09126 1997-2006 Jeep TJ/LJ Rock Krusher 3" Coil Spring Spacer Lift Kit

www.DaystarWeb.com
Tech Support Contact Info
Tech@DaystarWeb.com
Phone: 623.907.0081
Fax: 623.907.0088
841 South 71st Avenue
Phoenix, AZ 85043

8. Remove one spring (mark or note orientation before removal), take old bump stop off, and remove steel bump stop mount and old OE spring isolator. *Fig 4,5,6.*
9. Install the new isolator (M03606)
10. Using the spring compressor compress spring enough that it can be placed back into position.
11. Install spring while holding new bump stop inside of spring. Install the new bump stop when the spring is in place. Next, decompress the spring. *Fig. 7*
12. Repeat steps 7-10 for the other side of the vehicle.
13. Front track bar relocation. Drill a new 7/16 diameter mounting hole in the track bar's axle bracket, where shown. Shift the axle assembly as necessary to align the track bar eye with the new hole. Insert the stock fastener and tighten. *Fig 8 page 3*
14. Repeat all installation steps on rear suspension. *Fig. 9, and Page 4.*
15. Torque all bolts to factory specifications. Re-torque all bolts after 500 miles





KJ09126 1997-2006 Jeep TJ/LJ Rock Krusher 3" Coil Spring Spacer Lift Kit

www.DaystarWeb.com
Tech Support Contact Info
Tech@DaystarWeb.com
Phone: 623.907.0081
Fax: 623.907.0088
841 South 71st Avenue
Phoenix, AZ 85043



Fig.2

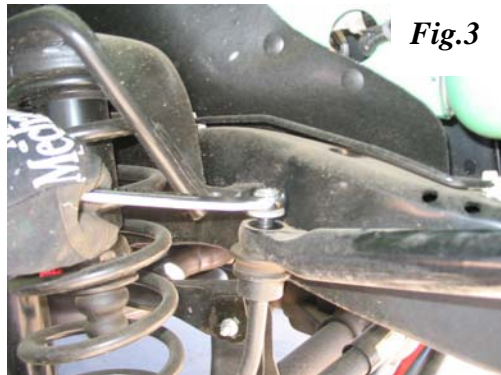


Fig.3

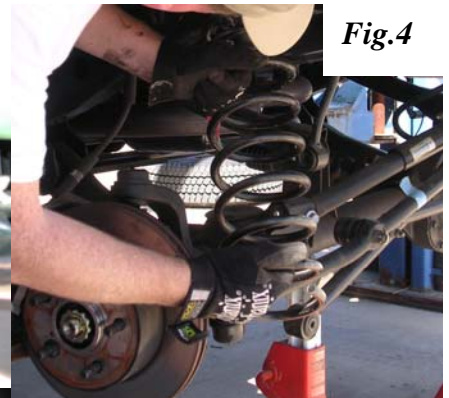


Fig.4



Fig.5



Fig.6



Fig.7

Install new bump stop after
spring is in place

Front track bar mounting hole - Hole location
is moved inboard (toward the driver side) 3/4". Hole
size is 7/16".

Fig.8

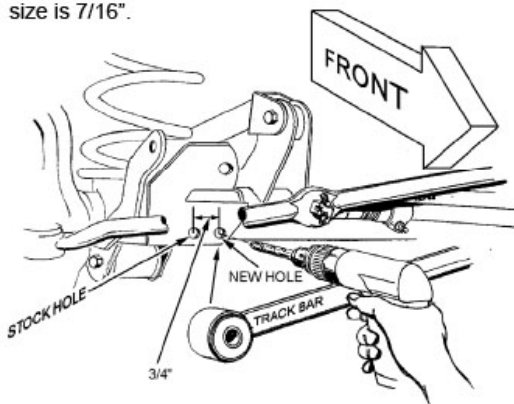


Fig.9

Instruction Sheet P10862-00



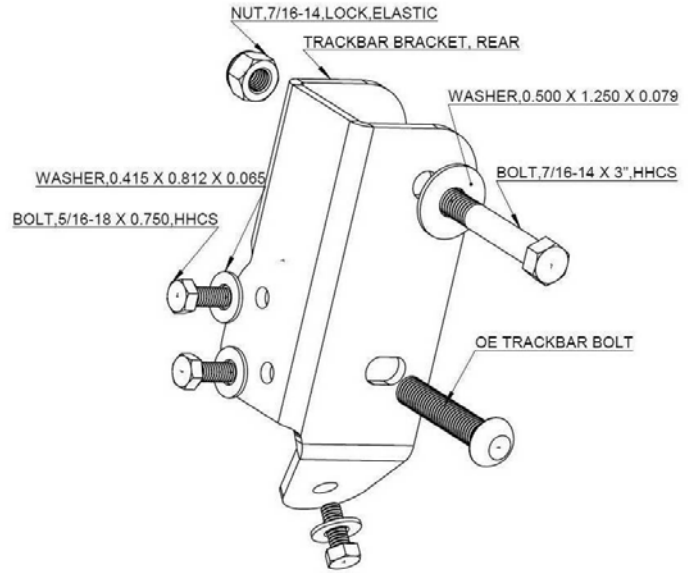


KJ09126 1997-2006 Jeep TJ/LJ Rock Krusher 3" Coil Spring Spacer Lift Kit

www.DaystarWeb.com
Tech Support Contact Info
Tech@DaystarWeb.com
Phone: 623.907.0081
Fax: 623.907.0088
841 South 71st Avenue
Phoenix, AZ 85043



REAR TRACK BAR BRACKET INSTALLATION



WARNING

This vehicle has been modified to enhance its performance. The steering, braking and handling of this vehicle will differ from standard passenger cars and trucks; this vehicle handles differently from an ordinary vehicle in driving conditions which may occur on streets, highways and off road.

Avoid unnecessary abrupt maneuvers, sudden stops, sharp turns and other driving conditions that could cause loss of control, possibly leading to a roll over or other accident that could result in serious injury or death to driver and passengers.

If larger tires are installed the speedometer will read lower than the vehicles actual speed.

**DRIVE WITH CARE, REDUCE SPEED
AND WEAR SEAT BELTS AT ALL TIMES.**

This kit should be installed by a professional mechanic.



Instruction Sheet P10862-00

© 2008 Daystar Products International Inc.