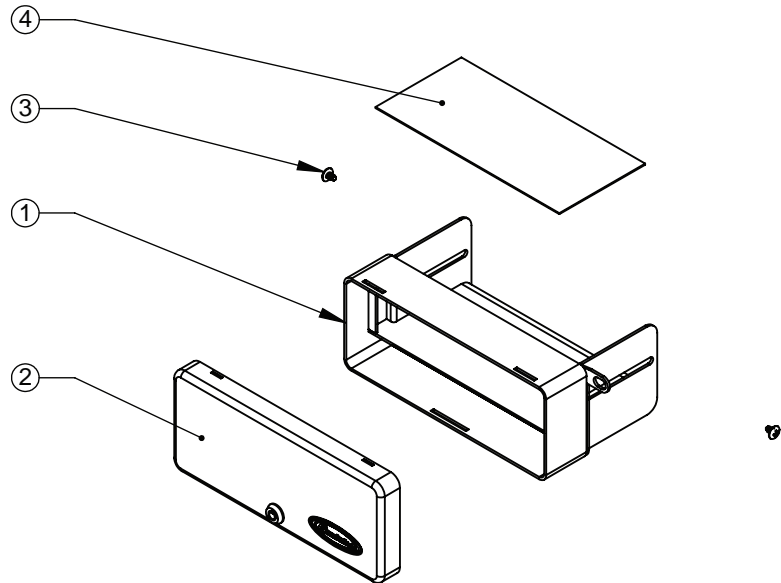


1997 - 2002 Jeep® TJ iVault Security Dash Mount

Contents:

1. Radio Mount (1)
2. Locking Cover Plate (1)
3. Radio Mounting Screws (2)
4. Rubber Pad (1)



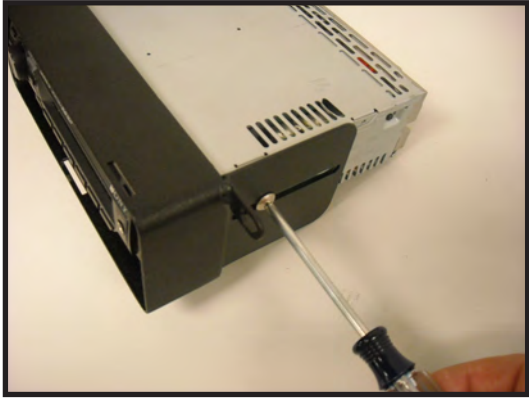
1. Use flat head screwdriver or putty knife to pry vent cover up from between dash board and wind shield. There are several clips across the length of the dash to release. A rag can be placed around the tool to help prevent marring the dash. Once the vent cover is removed, the two screws at the top of the radio surround and the one screw behind the ash tray can be removed with a phillips head screwdriver.



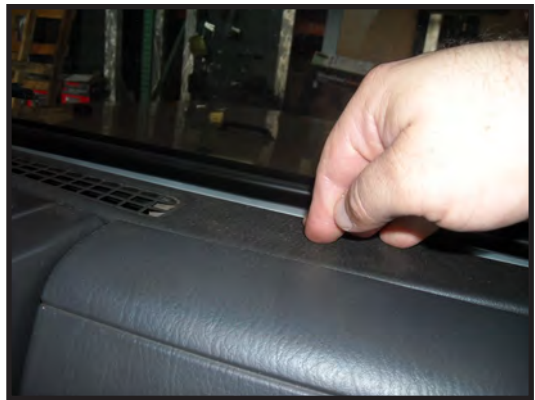
2. Use Flat head screwdriver around the perimeter of the radio surround, particularly at the bottom, to release clips (as in step 1). Remove radio surround. Remove (2) bolts holding the existing radio to the dash. Remove existing radio, unplugging all necessary wiring as it is removed.



3. Install radio into iVault Radio Mount. Note - the sleeve that comes with the radio is not used. Radio is placed directly into iVault Radio Mount and attached using provided screws. Make sure all wiring is properly connected as per radio manufacturer instructions. Place iVault Radio Mount, with radio, into dash. Fasten to dash with (2) bolts removed in step 2.



4. Reinstall Radio surround by aligning clips and pushing it into place. Reinstall (2) screws removed in step 1. Press vent cover back into place that was removed in step 1.



5. To secure radio, place Locking Cover Plate over the iVault Radio Mount with the top tilted toward the dash. Engage the tabs in the Cover Plate with the slots in the sleeve, and swing the bottom down toward the dash. Turn the key to engage the lock tab into the slot at the bottom of the Radio Mount.

Optional Non-Skid Rubber Pad is provided for use in the pocket of the iVault.

