



OMIX-ADA, Inc.

460 HORIZON DR. SUITE 400 | SUWANEE, GA 30024 | PHONE: 770-614-6101 | FAX: 770-614-6069 | info@omix-ada.com

Part # 13551.07

CB Radio Mount, 2003-2006 TJ/LJ

CONTENTS:

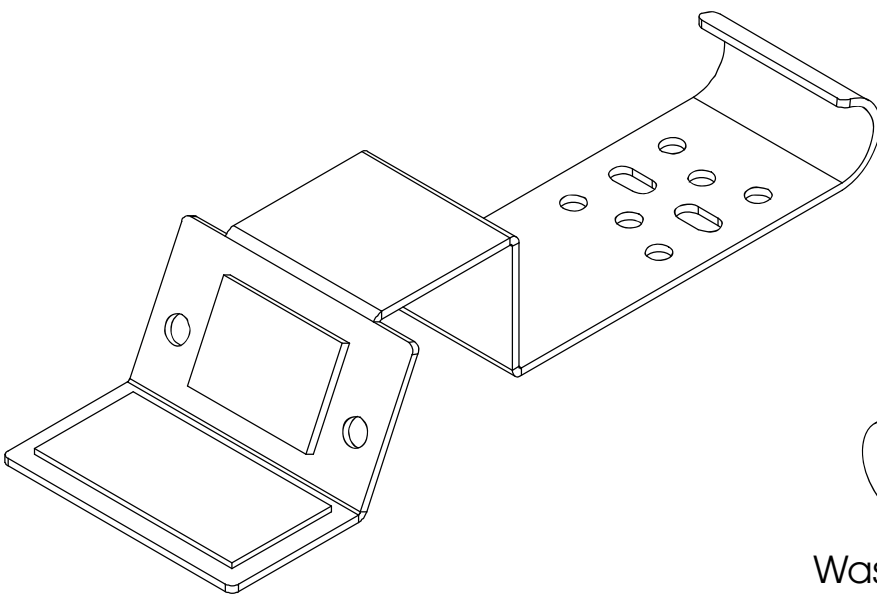
- CB Radio Mount (1)

HARDWARE:

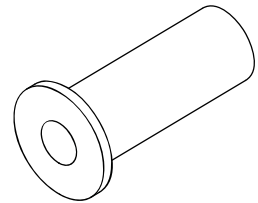
- Well Nut (2)
- Long Screw (2)
- Short Screw (2)
- Washer (2)
- Locknut (2)

TOOLS REQUIRED:

- Drill
- 3/8" Drill Bit
- Phillips Head Screwdriver
- Utility Knife



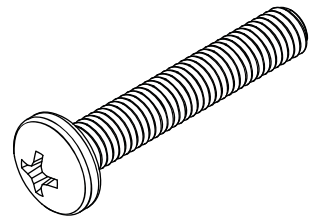
CB Radio Mount x 1



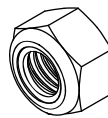
Well Nut x 2



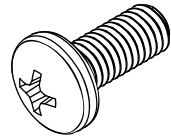
Washer x 2



Long Screw x 2



Locknut x 2



Short Screw x 2

NOTICE

Careful attention is required to this instruction or operation, but does not generally relate to personal injury. Damage to your product or other property may result if you do not follow instructions.

OMIX-ADA® TECHNICAL SUPPORT

PHONE: M-F 8am - 5pm EST 1-800-449-6649 | EMAIL: techsupport@omix-ada.com

FOR WARRANTY INFORMATION VISIT: www.Omix-Ada.com

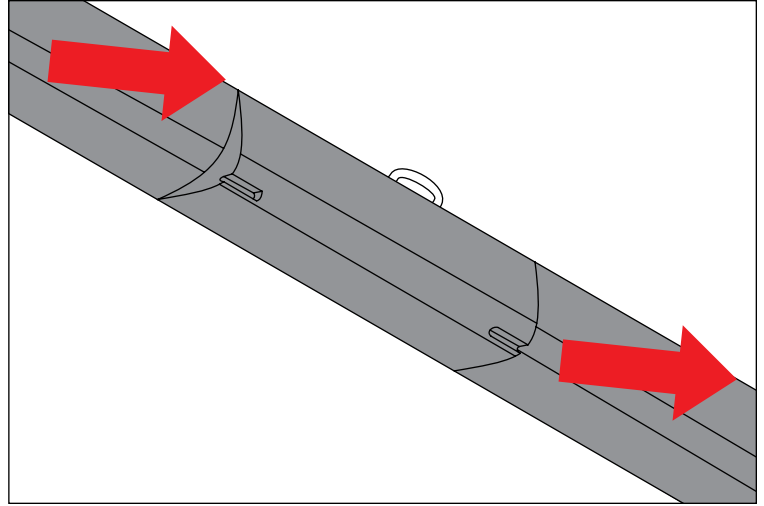


OMIX-ADA, Inc.

460 HORIZON DR. SUITE 400 | SUWANEE, GA 30024 | PHONE: 770-614-6101 | FAX: 770-614-6069 | info@omix-ada.com

CB Radio Mount, 2003-2006 TJ/LJ

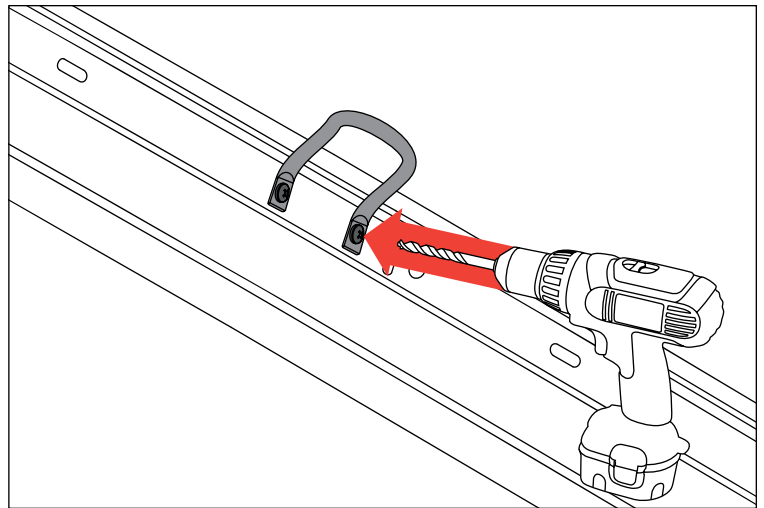
1. Retract soft top, position sun visors against the side windows, and pry off the plastic windshield trim by gently pulling along it until all the clips release.



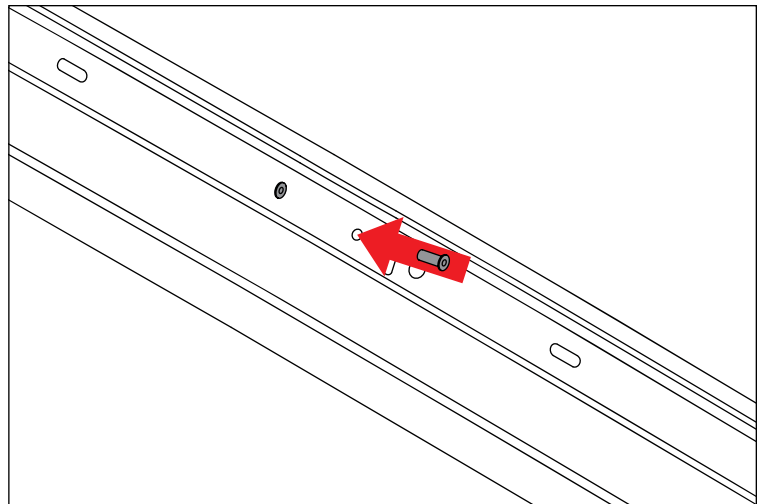
2. Drill out the rivets holding the footman loop with a 3/8" drill bit and remove the footman loop.

NOTICE

Use caution when drilling out rivets to not drill through the windshield frame and to ensure best possible fit of product.



3. Clean the area and insert well nuts in the newly drilled holes. Collapse the well nuts by screwing in the long screws provided. Remove the screws before proceeding.



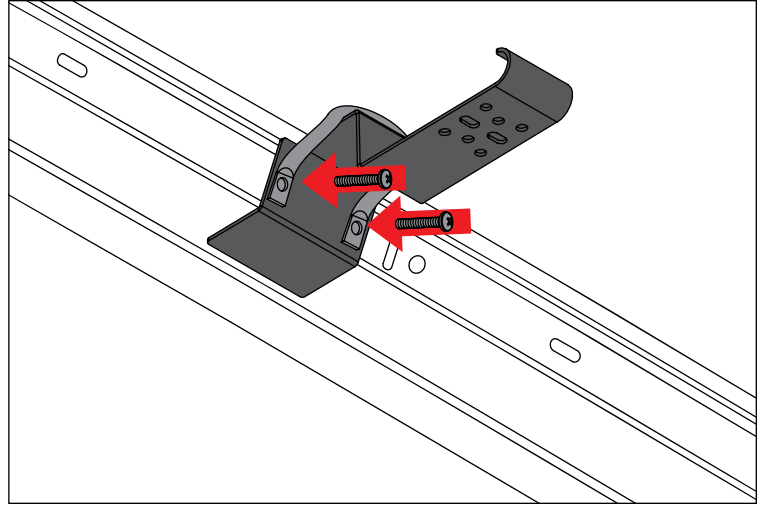


OMIX-ADA, Inc.

460 HORIZON DR. SUITE 400 | SUWANEE, GA 30024 | PHONE: 770-614-6101 | FAX: 770-614-6069 | info@omix-ada.com

CB Radio Mount, 2003-2006 TJ/LJ

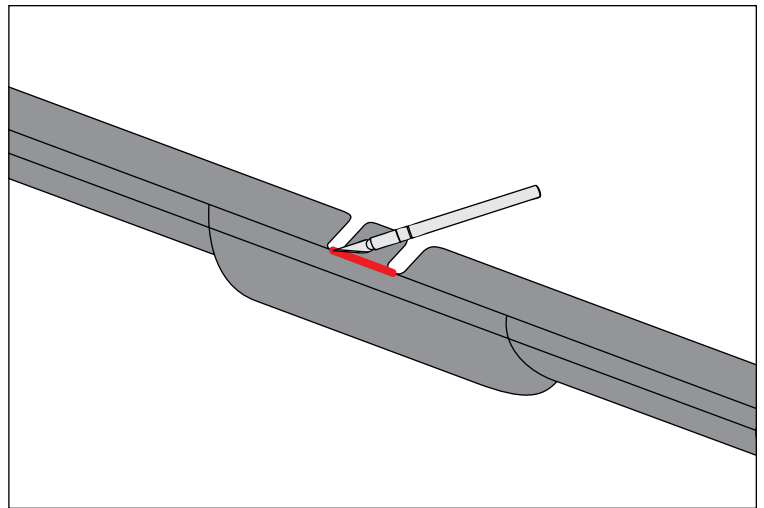
4. Remove plastic liner from mounting tape, align mounting holes, and install CB Radio Mount on the windshield frame. Place footman loop over the CB Radio Mount and fasten to frame with the long screws provided.



5. Cut off center tab on the plastic windshield trim with a utility knife and reinstall on windshield frame.

NOTICE

Use caution when cutting tab to ensure no damage is done to trim.



6. Install CB Radio, or other accessories, using the short screws, washers, and locknuts supplied.

NOTE: Be sure not to obstruct the rear view mirror.

