

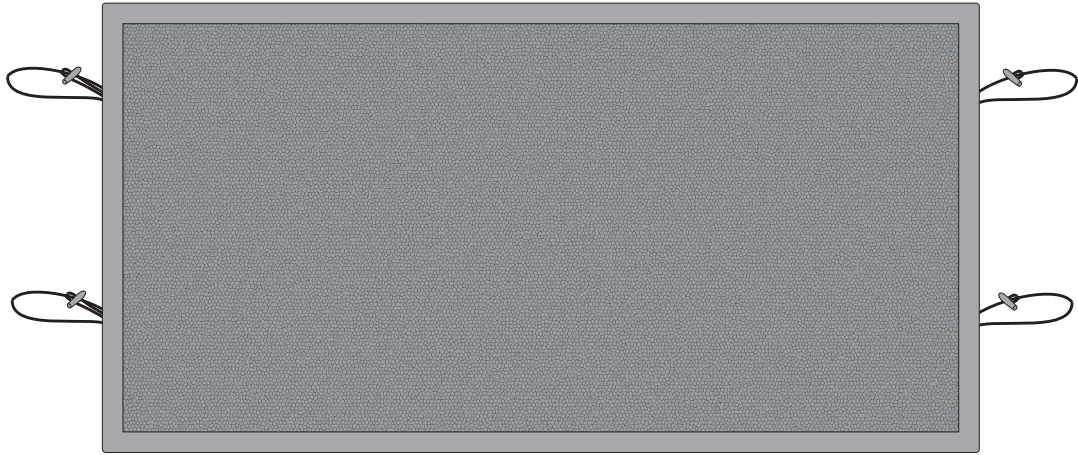


OMIX-ADA, Inc.

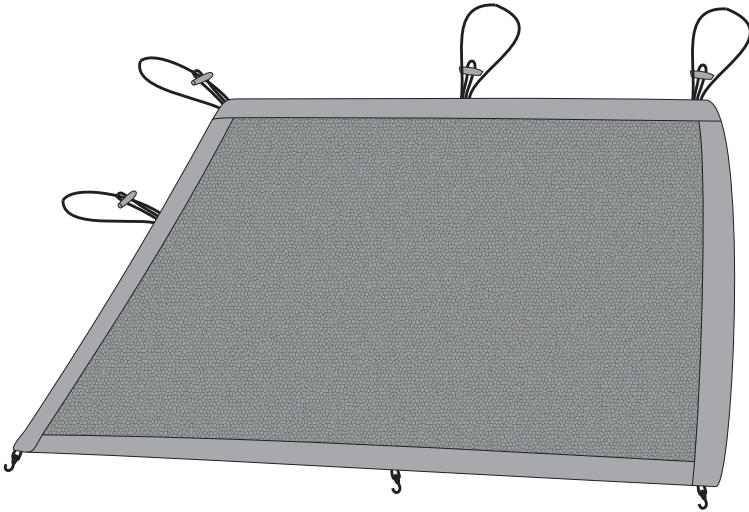
460 HORIZON DR. SUITE 100 | SUWANEE, GA 30024 | PHONE: 770-614-6101 | FAX: 770-614-6069 | info@omix-ada.com

Part 13579.41

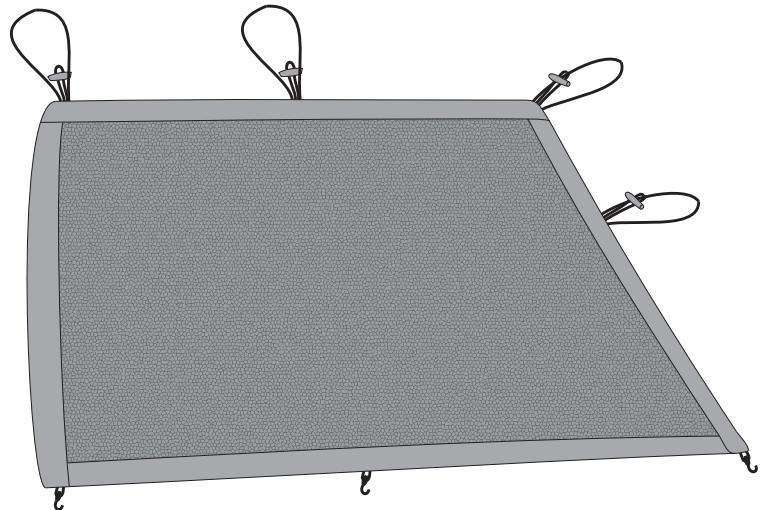
2-DR JK Eclipse Screen



Rear Panel (1)



Side Panel (2)



OMIX-ADA® TECHNICAL SUPPORT

PHONE: M-F 8am - 5pm EST 1-800-449-6649 | **EMAIL:** techsupport@omix-ada.com

FOR WARRANTY INFORMATION VISIT: www.Omix-Ada.com



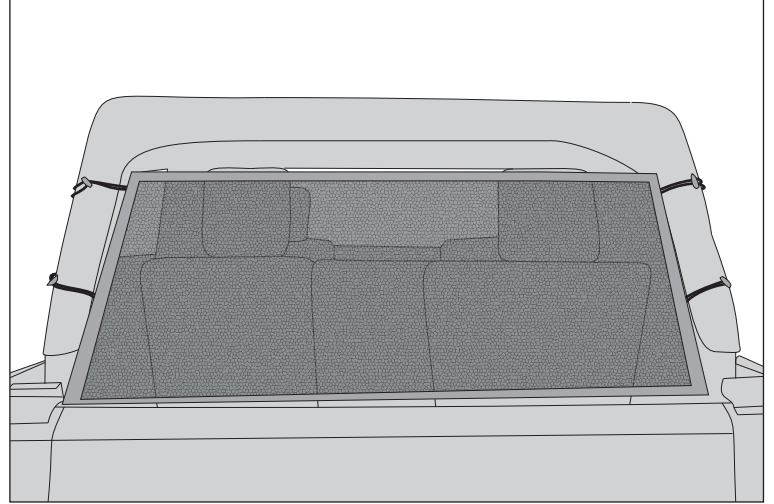
OMIX-ADA, Inc.

460 HORIZON DR. SUITE 100 | SUWANEE, GA 30024 | PHONE: 770-614-6101 | FAX: 770-614-6069 | info@omix-ada.com

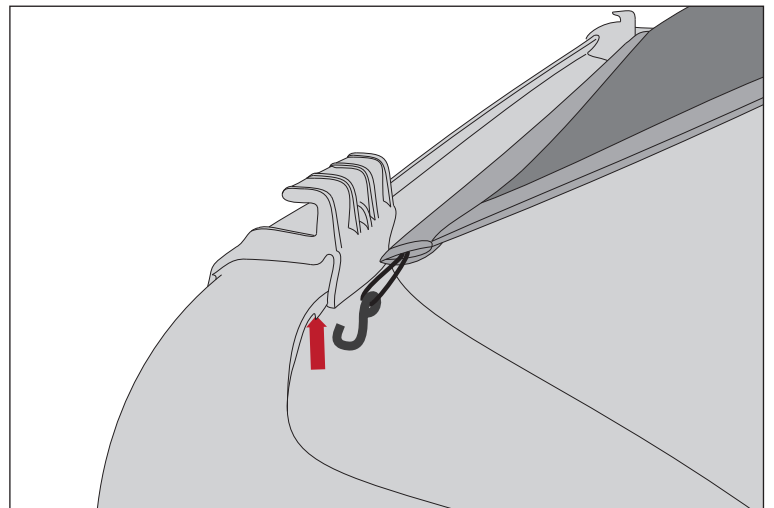
2-DR JK Eclipse Screen

To install Rear Panel:

1. Loop bungees around side roll bar and secure.



2. Hook bottom bungees to lip of tailgate as shown on right.





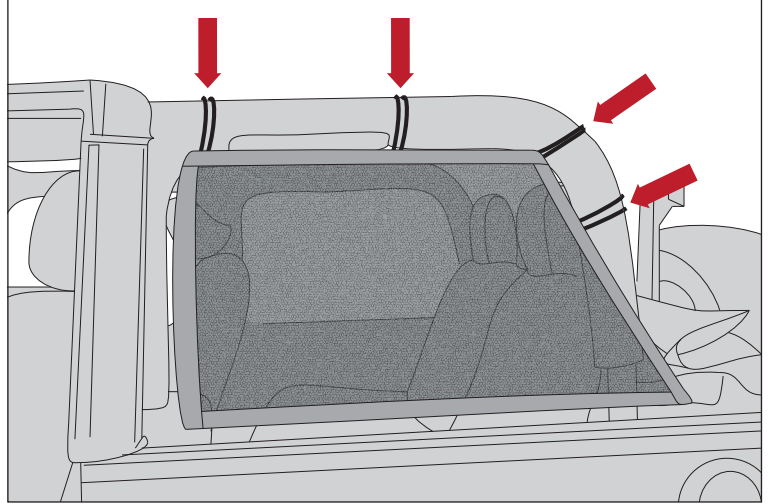
OMIX-ADA, Inc.

460 HORIZON DR. SUITE 100 | SUWANEE, GA 30024 | PHONE: 770-614-6101 | FAX: 770-614-6069 | info@omix-ada.com

2-DR JK Eclipse Screen

To Install Side Panels (begin with soft top lowered):

1. Loop top bungee around top roll bar and secure.
2. Loop side bungees around side roll bar and secure



3. Hook bottom bungees to openings in tub rails as shown on right.

