



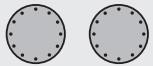

Installation Instructions


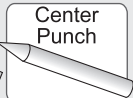
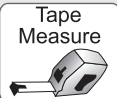

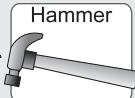
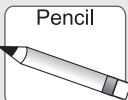



YJ Bow Assembly

Vehicle Application:

- Jeep Wrangler YJ
1988 – 1995
Part Number: 55004

www.Bestop.com - We're here to help! Visit our web site and click on "[Ask a Question](#)". Click here for more [Jeep® Accessories by Bestop](#).

INSTALLATION TIME	SKILL LEVEL
 2 Hours	 2 - Moderately Easy

TOOLS				
 Power Drill 1/8" Bit	 Center Punch	 Tape Measure 10'	 Phillips Screwdriver #2	 Hammer
 Pencil	 Ratchet	 Torx Socket #50, #45, #50 Tamper Proof	 Safety Glasses	



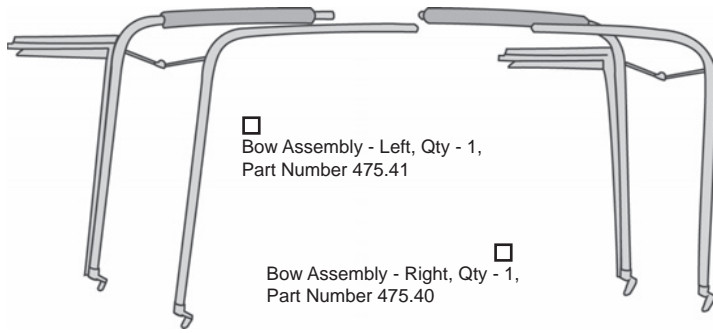
⚠ WARNING This product is designed primarily to enhance the appearance of the vehicle. Do not rely in any way on the components of this product to protect against injury or death in the event of an accident. Never operate the vehicle in excess of manufacturer's specifications.

WEAR SEAT BELTS AT ALL TIMES

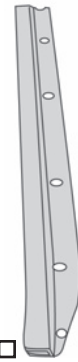
Read and follow, precisely, all installation instructions provided when installing product. Failure to do so may result in a poor fit and could place occupants of the vehicle in a potentially dangerous situation.

Bow Installation Instructions

Parts List and Hardware Identification

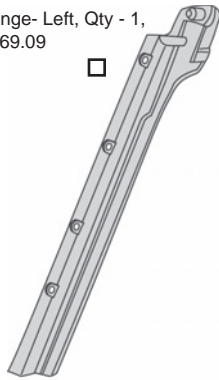


Windshield Retainer - Right, Qty - 1, Part Number 225.42

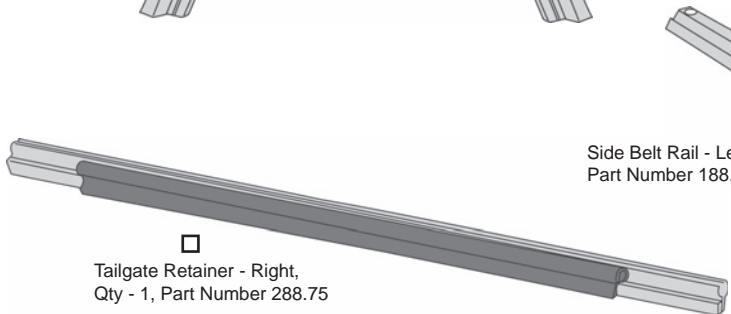
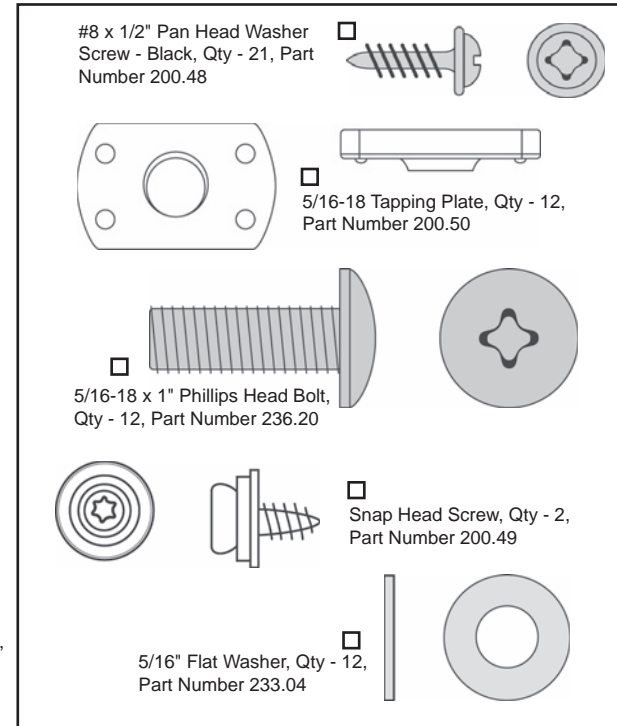
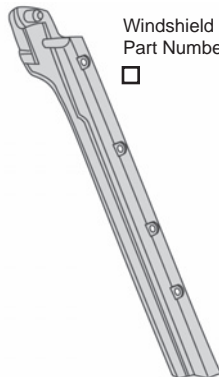


Windshield Retainer - Left, Qty - 1, Part Number 225.43

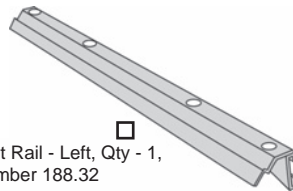
Windshield Flange- Left, Qty - 1, Part Number 269.09



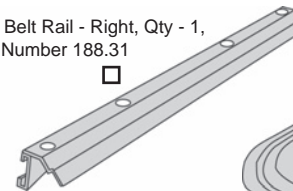
Windshield Flange- Right, Qty - 1, Part Number 269.10



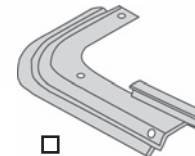
Side Belt Rail - Left, Qty - 1, Part Number 188.32



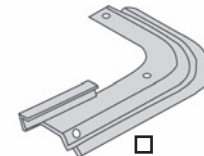
Side Belt Rail - Right, Qty - 1, Part Number 188.31



Corner Belt Rail, Left, Qty - 1, Part Number 288.34



Corner Belt Rail, Right, Qty - 1, Part Number 288.33



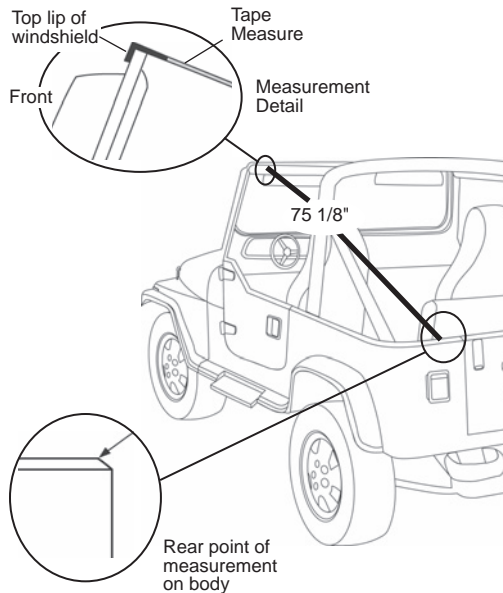
Bow Installation Instructions

! WARNING Improper windshield adjustment will result in poor fitting top and doors, causing looseness or undue strain on the top.

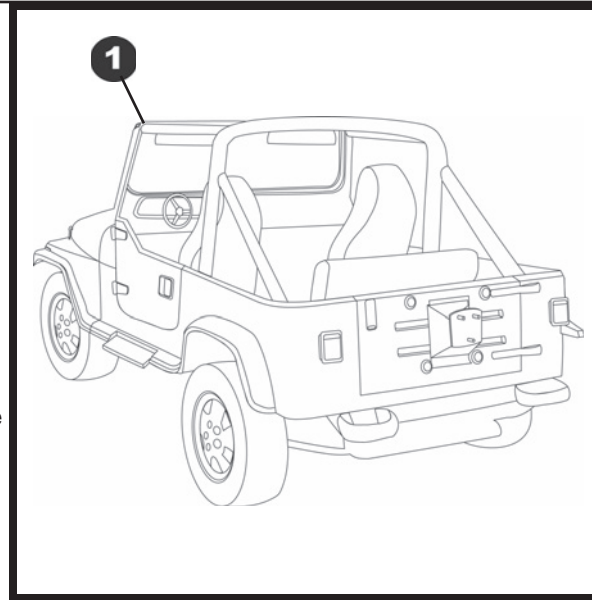
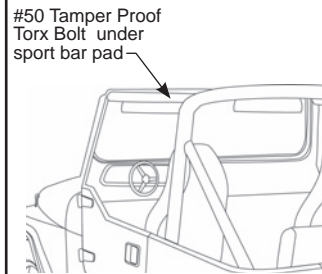
! WARNING After adjusting the windshield angle, make sure that the bolts on top of the sport tube and the windshield have been tightened.

Wrangler Windshield Measurement

Before installing the top, check the windshield measurement. The distance from the top lip of the windshield to the top outer edge of the body must be 75 1/8" on both sides of the vehicle. Measure 4"-6" inside the doors.



Wrangler/YJ Windshield Adjustment: If necessary, loosen the #50 Tamper Proof Torx Bolt on top of the side sport bar. Adjust the windshield and tighten the Torx Bolt.



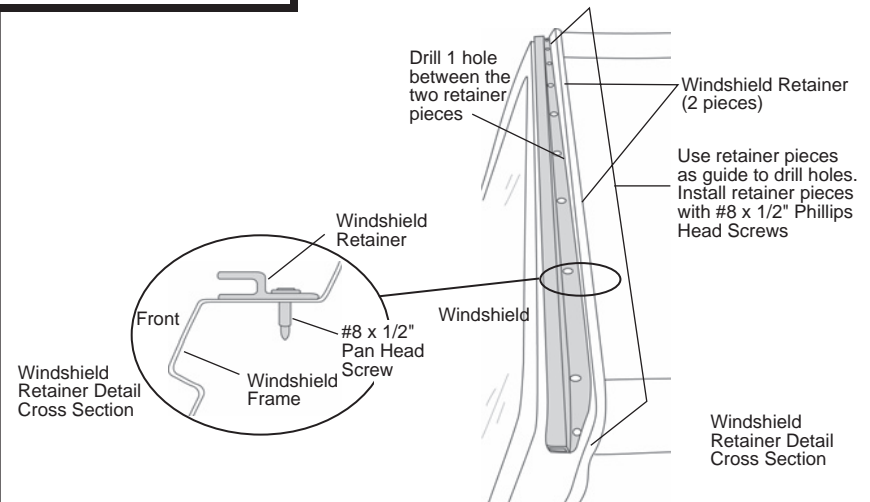
! WARNING A loose Windshield Retainer may allow the top to disengage from the windshield, causing damage to the top and possible injury to the occupants of the vehicle.

Make certain that the Windshield Retainer is securely fastened to the windshield during installation and at all other times by checking the tightness of the mounting screws every three months.

Do not use any drill size other than 1/8". Failure to use the correct size may cause the Windshield Retainer to loosen.

1 Install Windshield Retainer

Position the two piece Windshield Retainer on top of windshield frame. Use retainer pieces as templates to mark, center punch and drill eleven 1/8" holes. Install with eleven #8 x 1/2" Pan Head Screws.

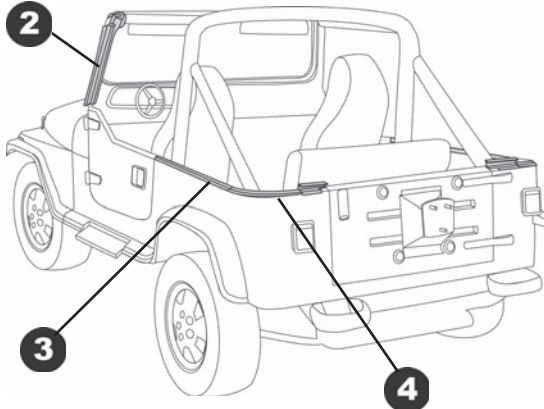
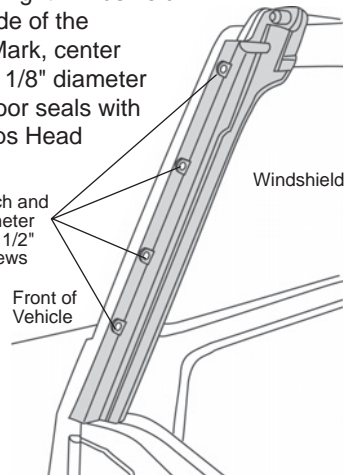


Bow Installation Instructions

2 Install Windshield Flanges

Install the Left and Right Windshield Flanges on each side of the windshield frame. Mark, center punch and drill four 1/8" diameter holes. Install the door seals with four #8 x 1/2" Phillips Head Screws.

Mark, center punch and drill four 1/8" diameter holes. Install #8 x 1/2" Phillips Head Screws



CAUTION

When drilling in the top edge of the vehicle body, check underneath for wiring for the rear lights. Pull the wiring out of the way before drilling.

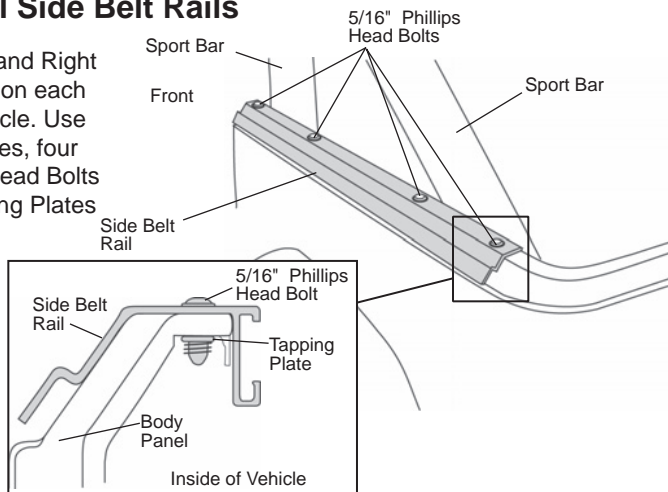


4 Install Rear Corner Belt Rails

Install the Left and Right Rear Corner Belt Rails on each side of the vehicle. Notice that the Corner Belt Rails do not butt-up against the Side Belt Rails installed in Step 3, this is normal. Use the Corner Belt Rails as templates to mark, center punch and drill two 3/8" holes in the top edge of the vehicle body. Some vehicles may already have some of these holes. Install the Corner Belt Rails with two 5/16" Phillips Head Bolts, two 5/16" Washers and two 5/16" Tapping Plates. At the location of the remaining hole in the Corner Belt Rail, next to the tailgate, mark, center punch and drill a 1/8" hole. Install a #8 x 1/2" Pan Head Screw.

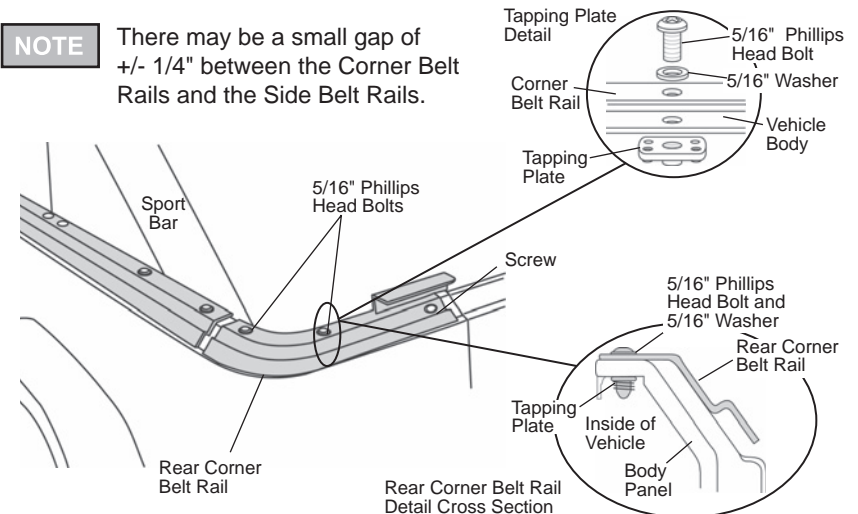
3 Install Side Belt Rails

Install the Left and Right Side Belt Rails on each side of the vehicle. Use the existing holes, four 5/16" Phillips Head Bolts and four Tapping Plates on each side.



NOTE

There may be a small gap of +/- 1/4" between the Corner Belt Rails and the Side Belt Rails.

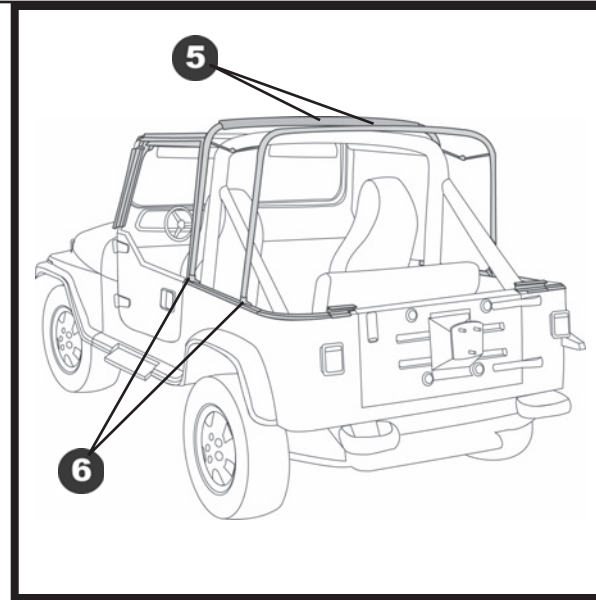
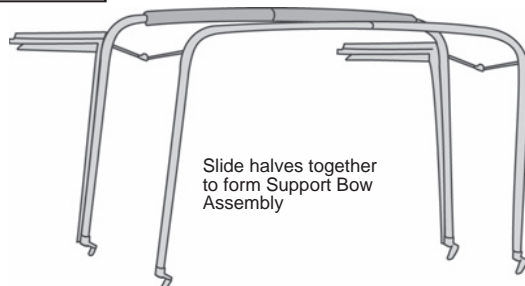
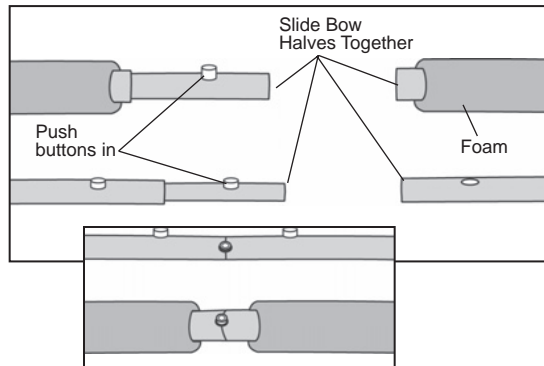


Bow Installation Instructions

5 Assemble Support Bow

Assemble the two halves of the Support Bow. Orient the two pieces to each other and lay them on the floor. Slide the pieces together, pushing down on the buttons. Once the two halves are together install a Snap Head Screw in the hole formed in the center, front of each bow.

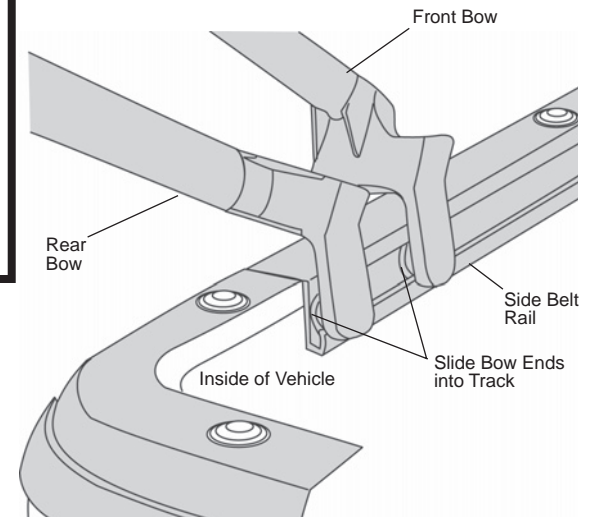
NOTE It may be helpful to use a flat screwdriver to push buttons down while sliding bow halves together.



6 Install Bow Assembly in Belt Rails

Slide the ends of the front and rear bows into the tracks in the Side Belt Rails on each side of the vehicle. Start from the rear of the vehicle and slide the bow assembly toward the front.

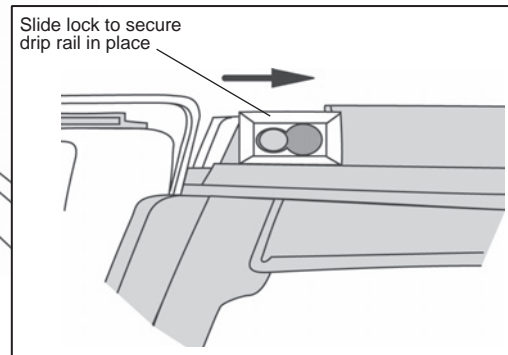
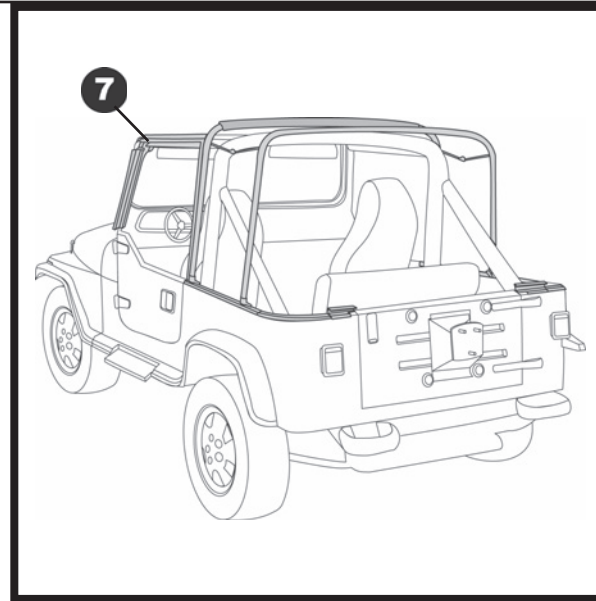
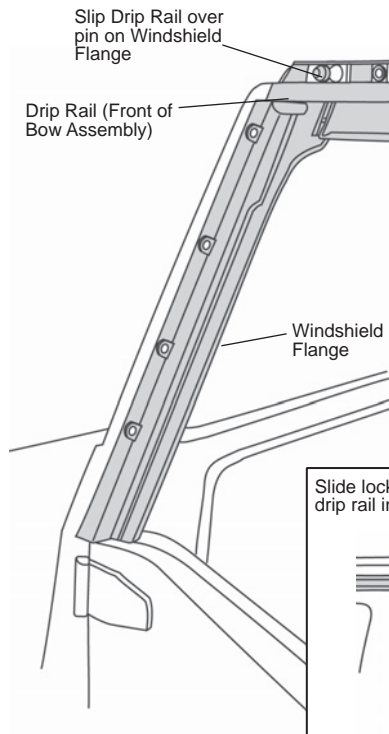
NOTE It may be helpful to have two people to slide both sides of the bow assembly forward at the same time.



Bow Installation Instructions

7 Secure Bow Assembly to Windshield Flanges

Attach the drip rail at the front of the Bow Assembly to the pin on the Windshield Flange and lock it into place on both sides of the vehicle.



Bow Installation Instructions

LIMITED WARRANTY

We warrant our product to be free from defects in material and workmanship, for the terms specified below, provided there has been normal use and proper maintenance. This warranty applies to the original purchaser only. All remedies under this warranty are limited to the repair or replacement of any item or items found by the factory to be defective within the time period specified. If you have a warranty claim, first you must call our factory at the number below for instructions. You must retain proof of purchase and submit a copy with any items returned for warranty work. Upon completion of warranty work, if any, we will return the repaired or replaced item or items to you freight prepaid. Damage to our products caused by accidents, fire, vandalism, negligence, misinstallation, misuse, Acts of God, or by defective parts not manufactured by us, is not covered under this warranty.

THE WARRANTY TIME PERIOD IS AS FOLLOWS FOR REPLACE-A-TOP™, SAILCLOTH REPLACE-A-TOP™, SUPERTOP®, SUPERTOP® REPLACEMENT SKINS, SUNRIDER®, AND TIGERTOP®: TWO YEARS FROM DATE OF PURCHASE.

THE WARRANTY TIME PERIOD IS AS FOLLOWS FOR ALL OTHER “SOFT GOODS” MANUFACTURED BY OUR COMPANY (USING PRIMARILY VINYL, PLASTICS, AND/OR FOAM): ONE YEAR FROM DATE OF PURCHASE.

THE WARRANTY TIME PERIOD IS AS FOLLOWS FOR ALL OTHER “HARD GOODS” MANUFACTURED BY OUR COMPANY (USING PRIMARILY METALS, PLASTICS, AND/OR FIBERGLASS): ONE YEAR FROM DATE OF PURCHASE.

ANY IMPLIED WARRANTIES OF MERCHANTABILITY AND/OR FITNESS FOR A PARTICULAR PURPOSE CREATED HEREBY ARE LIMITED IN DURATION TO THE SAME DURATION AND SCOPE AS THE EXPRESS WRITTEN WARRANTY. OUR COMPANY SHALL NOT BE LIABLE FOR ANY INCIDENTAL OR CONSEQUENTIAL DAMAGE.

Some states do not allow limitations on how long an implied warranty lasts, or the exclusion or limitation of incidental or consequential damages, so the above limitations or exclusions may not apply to you. This warranty gives you specific legal rights, and you may also have other rights which vary from state to state.



For further information or request for warranty work, please contact:
Bestop Inc. Customer Service
Toll-Free: (800)845-3567
Main: (303)465-1755
E-mail: csbestop@Bestop.com
Website: www.Bestop.com