



Front Bumper

Installation Instructions

For: Jeep Wrangler and
Wrangler Unlimited
2007 – Current

Part Number: 43910 / 45910



DO NOT INSTALL THIS PRODUCT ON ANY VEHICLE OTHER THAN THOSE LISTED ABOVE.

This product is only designed for the vehicles listed above. Failure to install this product on the proper vehicle could cause injury to the vehicle occupants and damage to the product.

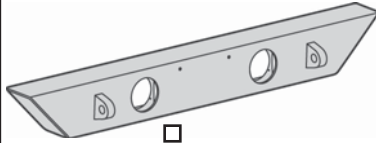
	WARNING
<p>This product is designed to enhance the appearance of the vehicle. Do not rely in any way on the components of this product to contain occupants within the vehicle, or to protect against injury or death in the event of an accident. Never operate vehicle in excess of manufacturer's specifications.</p>	
WEAR SEAT BELTS AT ALL TIMES	
<p>Read and follow, precisely, all installation instructions provided when installing this product. Failure to do so could place occupants of the vehicle in a potentially dangerous situation. After installing or reinstalling, check to make sure it has been properly installed.</p>	

Table of Contents	
PARTS LIST	PAGE 2
TOOLS NEEDED	PAGE 2
INSTALLATION	PAGE 2
WARRANTY	PAGE 3

	CAUTION	Safety glasses should be worn at all times while installing this product.
--	----------------	---

	WARNING	Do not use Front Bumper to tow vehicle.
--	----------------	---

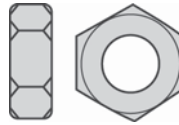
Parts List



□
Front Bumper,
Part Number 478.96 (Gloss Finish),
Part Number 498.02 (Matte Finish),
Qty - 1

Hardware Kit Part Number 485.73

M10 Nylock Nut,
Part Number □
422.76, Qty - 8



M10 Washer, □
Part Number
422.77, Qty - 8



Tools Needed

Ratchet
15mm, 18mm and
1/2" Sockets
T55 Torx Socket
18mm Wrench
3/16" and 6mm
Allen Wrenches

Phillips Screwdriver
Flat Screwdriver
Pliers
Safety Glasses



CAUTION

Two or more people may be required to lift the bumper safely.

Step One

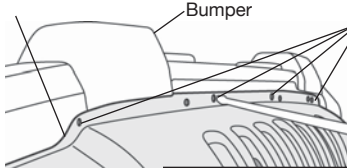
REMOVE THE PLASTIC SKID PLATE

Use a flat screwdriver or pliers to pry out the four (4) fasteners that secure the edge of the skid plate. Then use a phillips screwdriver to remove the push fasteners that secure the brackets on the skid plate to the frame.

Plastic Skid Plate

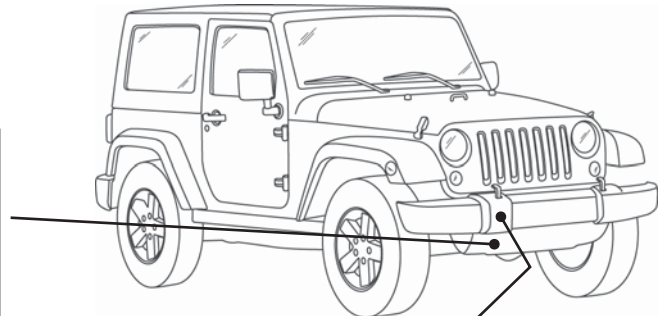
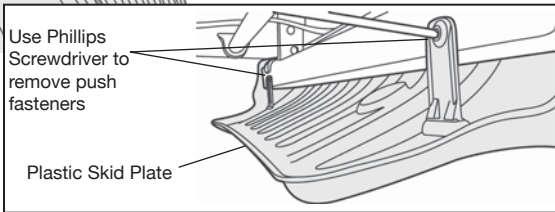
Bumper

Use Flat Screwdriver
to pry out fasteners



Use Phillips
Screwdriver to
remove push
fasteners

Plastic Skid Plate



Step Two

REMOVE THE ORIGINAL BUMPER

Use a socket wrench to remove the four (4) nuts on each side of the bumper that secure the bumper to the frame. Access these nuts from behind the bumper.

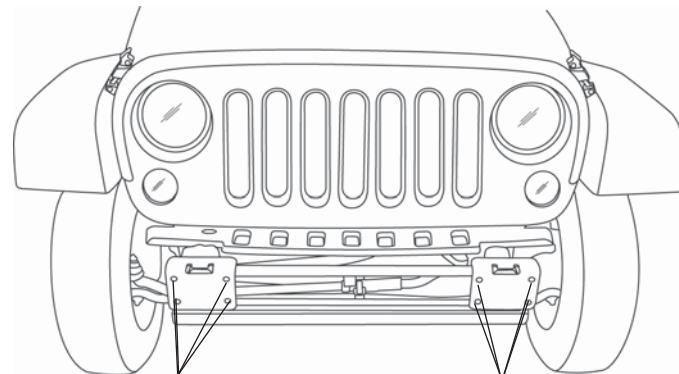
Set the screws and nuts aside to be reinstalled later.

Slide the bumper off the studs.



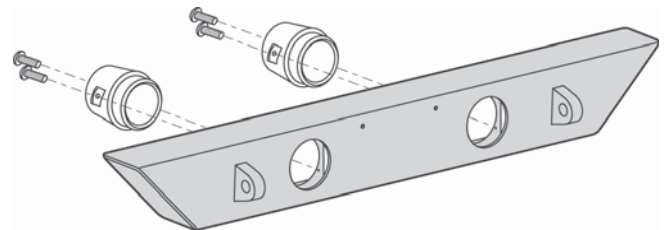
CAUTION

If you have Factory Fog Lights, disconnect them before you remove the bumper.



Remove Nuts that
secure bumper

Remove Nuts that
secure bumper



Step Three

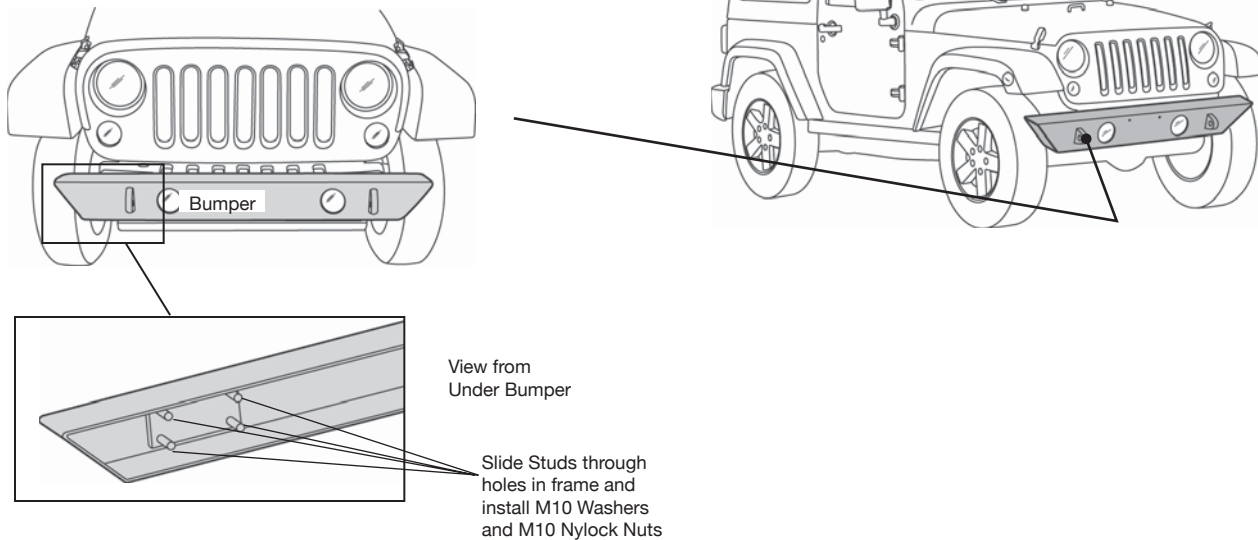
INSTALL FACTORY FOG LIGHTS ON BUMPER

Orient the Lights with the adjustment screw facing down. Use the factory screws, removed in Step Two, to secure the Light Assemblies to the Bumper. Mount the assemblies from behind the Bumper.

Step Four

INSTALL BUMPER ASSEMBLY

Lift the Front Bumper Assembly onto the front frame rails on the vehicle. Slide the studs in the Bumper through the holes in the frame and install an M10 Washer and M10 Nylock Nut on each stud.



LIMITED WARRANTY

We warrant our product to be free from defects in material and workmanship, for terms specified below, provided there has been normal use and proper maintenance. This warranty applies to the original purchaser only. All remedies under this warranty are limited to the repair or replacement of any item or items found by the factory to be defective within the time period specified.

If you have a warranty claim, first you must call our factory at the number below for instructions. You must retain proof of purchase and submit a copy with any items returned for warranty work. Upon completion of warranty work, if any, we will return the repaired or replaced item or items to you freight prepaid. Damage to our products caused by accidents, fire, vandalism, negligence, misinstallation, misuse, Acts of God, or by defective parts not manufactured by us, is not covered under this warranty.

THE WARRANTY TIME PERIOD IS AS FOLLOWS: ALL "GOODS" MANUFACTURED BY OUR COMPANY: ONE YEAR FROM DATE OF PURCHASE.

ANY IMPLIED WARRANTIES OF MERCHANTABILITY AND/OR FITNESS FOR A PARTICULAR PURPOSE CREATED HEREBY ARE LIMITED IN DURATION TO THE SAME DURATION AND SCOPE AS THE EXPRESS WRITTEN WARRANTY. OUR COMPANY SHALL NOT BE LIABLE FOR ANY INCIDENTAL OR CONSEQUENTIAL DAMAGE.

Some states do not allow limitations on how long an implied warranty lasts, or the exclusion or limitation of incidental or consequential damages, so the above limitations or exclusions may not apply to you.

This warranty gives you specific legal rights, and you may also have other rights which vary from state to state.

For further information, please contact:

Customer Service
877-638-9509

All or a portion of this product may have been made in China.