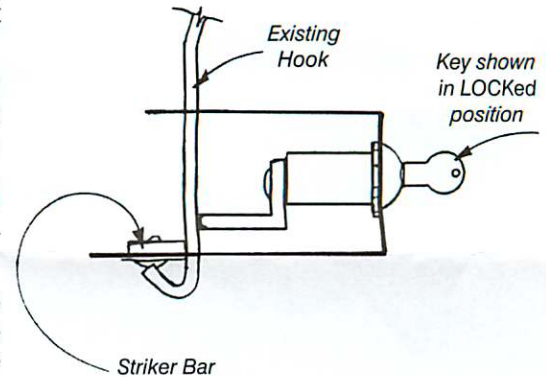


WRANGLER/TJ HOOD LOCK

Adjustment & Use Instructions

HL-4

1. Unlatch and raise the hood of the vehicle. Prop up hood securely. Make sure existing hood latch is adjusted properly and in working order.
2. While holding the key in the unlock position, (key horizontal) temporarily place the lock on the center latch as shown in the drawing. Make sure that the short leg of the lock bracket is at the top.
3. Your lock has been adjusted at the factory, HOWEVER due to variations in vehicles, an adjustment may be necessary. Test the adjustment of the lock by turning the key to the lock position (key vertical). If it won't easily turn to the full lock position, or the unit is very loose on the hook of the center latch, the striker bar of the lock needs adjustment. Simply loosen the 2 screws on the striker bar and move the bar to the desired position. NOTE: After adjustment, make sure screws are tight!
4. Once adjustment is done, REMOVE the lock and close the hood of the vehicle. Working through the grille openings, replace the lock and turn the key to the lock position. Make sure the lock has caught the hook of the center latch. Once locked, the hood cannot be raised. To open the hood, unlock and remove the lock, then open the hood in the usual manner.



NOTE: When locking and removing the lock, you may find it easier to hold the lock with your right hand by using the key as a handle, while using your left hand (through another grille opening) to guide the lock into place on the hook of the center latch. If needed, the upper and lower legs of the lock can be squeezed together slightly to make catching the hook easier. This will not reduce the security of the lock.

IMPORTANT: Your hood lock is made of stainless steel that is springy enough to "give" a little, yet strong enough to thwart most thieves and vandals. This springiness will allow you to move the lock up or down for easy key insertion. Even though the lock may appear somewhat loose on the hook, it will tighten up with a wedge effect as the vehicle is driven. When locking your hood, always make sure the lock "catches" the hook. Also, periodically check the lock adjustment and make sure that both screws are tight.

CAUTION

NEVER drive vehicle without locking hood and securing side latches.

MAINTENANCE

Periodically inspect all hood hold down hardware including side latches, and lubricate lock with high quality lock lubricant.

IMPORTANT: During seasons when your vehicle is driven on salted roads, the face of the lock cylinder will require additional protection. Spread a coating of thick bearing grease on the face of the lock cylinder protruding from the front of the lock assembly. The grease will keep corrosive elements out of the keyway. Each time the key is inserted and removed, the grease coating should be renewed. This should be done in addition to lubricating the lock itself with a high quality lock lubricant.

NOTE: The grille and surrounding sheet metal on your vehicle effectively conceal the lock from tampering and make it less accessible to pry bars or other tools. Because of this, drilling, cutting or otherwise modifying the grille or surrounding sheet metal will lessen the security of your vehicle. Midwest's Wrangler Grille Screen models GS-3A and GS-3B install with NO drilling and allow convenient operation of your new hood lock. Check out our entire line of Wrangler equipment at your 4x4 accessories retailer.

Remember:

No lock can be 100% effective Use common sense ... park only in well-lighted areas, and never leave the key in the ignition!

LIMITED WARRANTY

This product is guaranteed against defects in materials and workmanship for one year from date of purchase. Just return to us with an explanation of reason for return and unit will be repaired or replaced at our option. There are no other warranties either expressed or implied beyond those set forth in this warranty. The manufacturer is not responsible for any consequential or incidental damages. (Some states do not allow the exclusion of consequential or incidental damages so the above exclusion may not apply to you.) This warranty gives you specific legal rights and you may also have other rights which vary from state to state.

Manufactured by:



**MIDWEST
EQUIPMENT
SPECIALTIES**

Made in USA

P.O. Box 14532 • Lenexa, Kansas 66285 • (913) 631-7889